

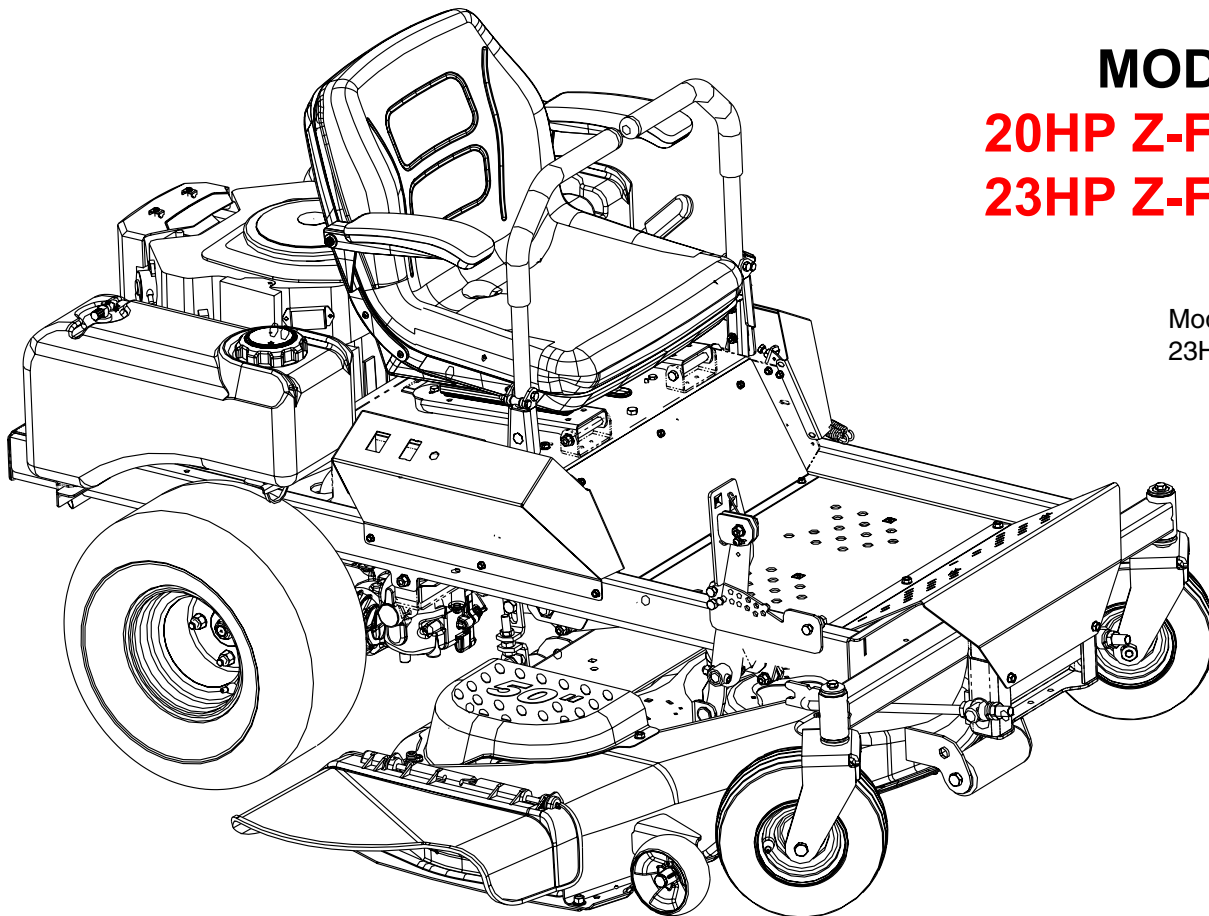


Hydrostatic Zero-Turn Residential Riding Mower

Turf Equipment

MODEL
20HP Z-Force 44
23HP Z-Force 50

Model Shown is a
23HP Z-Force 50



ILLUSTRATED PARTS LIST

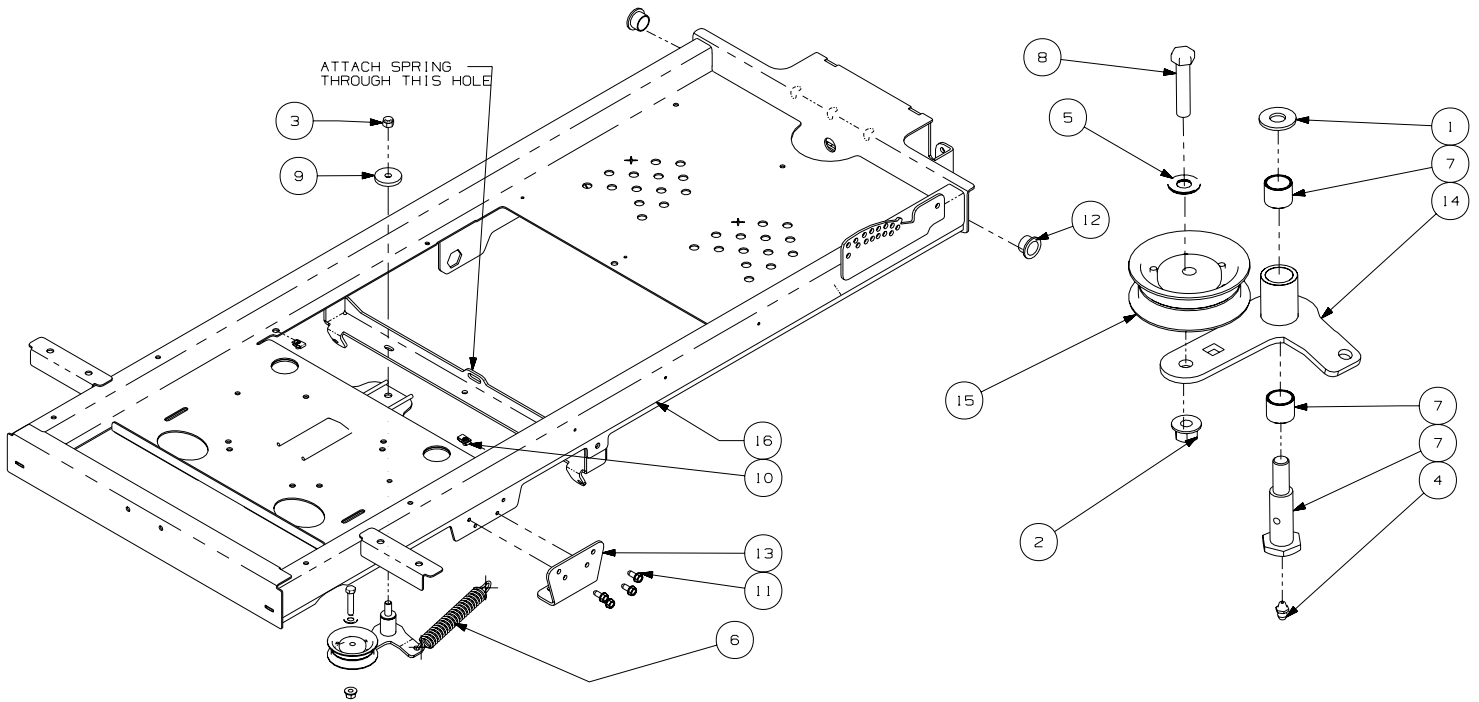
TABLE OF CONTENTS

Frame Assembly	3
44" Formed Cutter Deck	4 and 5
44" Deck Spindle Assembly	6 and 7
50" Formed Cutter Deck	8 and 9
50" Deck Spindle Assembly	10 and 11
Control Assembly	12
Brake Assembly	13
44" Front Caster & Tire Assembly	14
50" Front Caster & Tire Assembly	15
Steering Assembly	16
Drivetrain Assembly	17
20 HP Kohler Engine Assembly	18
23 HP Kohler Engine Assembly	19
Electrical Assembly Kohler	20
44" Seat Assembly	21
50" Seat Assembly	22
Lift Assembly	23
44" Decal Map	24
50" Decal Map	25

NOTE, For **painted parts**, please refer to the list of color codes below. Please add the applicable color code, wherever needed, to the part number to order a replacement part. For instance, if a part, numbered 0100xxxx, is painted Cub Yellow, the part number to order would be 0100xxxx-4021.

Cub Yellow: 4021
Powder Black: 0637

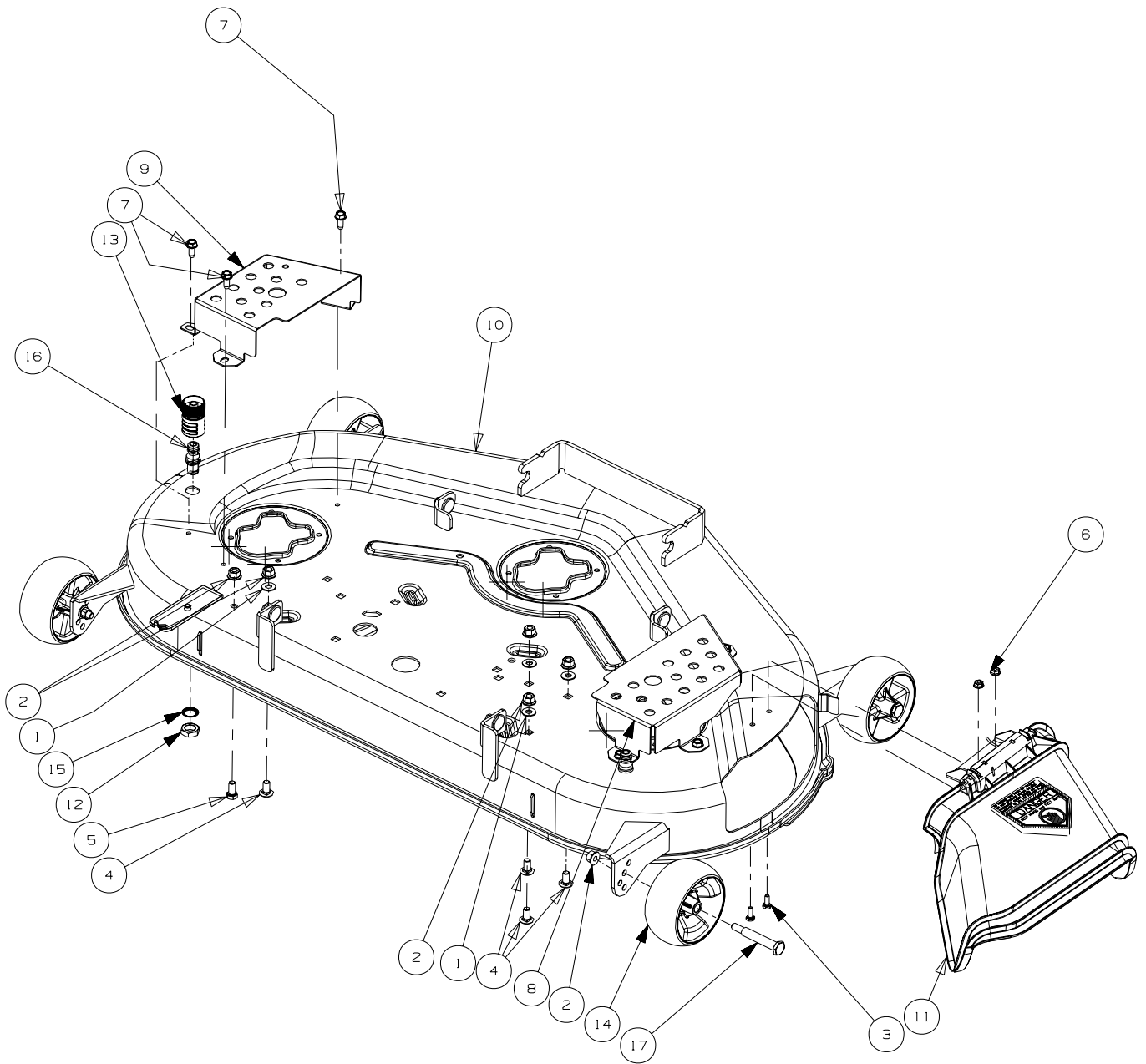
Frame Assembly- Figure 1 and Parts List



GD: 02004985-12/11/07

Ref. No.	Part No.	Description	Qty.
1	00006168	Flat Washer, 3/8 zinc	1
2	01000512	Hex Cap Screw, 3/8-16 x 1-3/4	1
3	00022560	Hex Nut, 3/8-16 Flange Lock	1
4	00027279	Nylock Nut, 7/16-14	1
5	00060078	Grease Fitting, 1/4-28 x 3/16	1
6	01000505	Shoulder Bolt	1
7	01000199	Extension Spring, 1.00 OD x 5.00 lg	1
8	01003269	Flat Washer, 7/16 ID x 1.75 OD	1
9	01008539	U-Nut, 1/4-20	2
10	01008620	Self Tapping Screw 5/16-18 x .750	8
11	02002628	Bronze Bushing, .875 ID x 1.50 OD	2
12	02002641	Transmission Mounting Bracket	2
13	02003641	Idler Arm Assembly includes:	1
	01000308	Bearing Sleeve	2
14	02004558	Flat Idler Pulley	1
15	02004865	Frame Assembly Weldment	1
16	00061053	Washer, 3/8, SS	1

44" Formed Cutter Deck - Figure 2

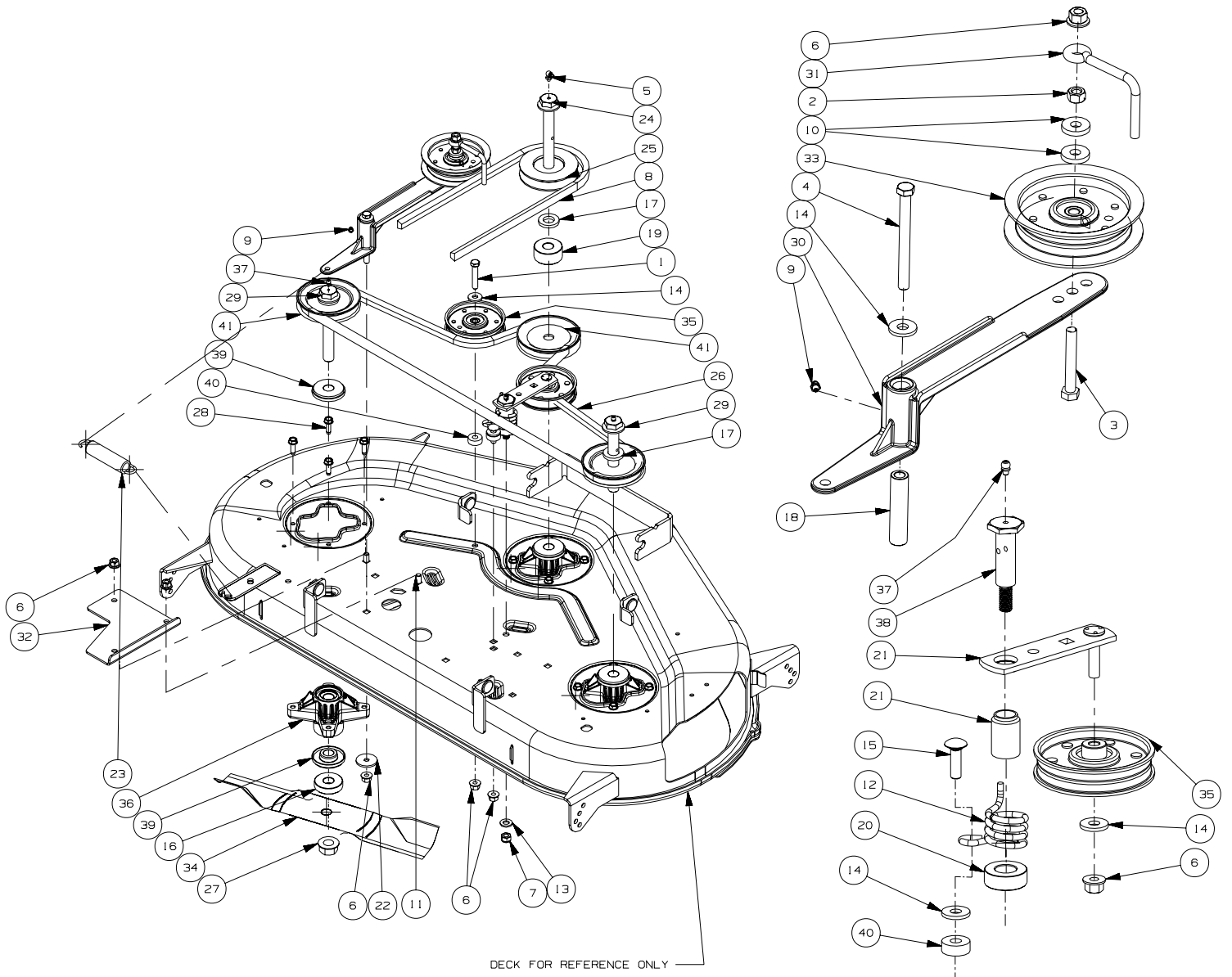


GD: 02005047-10/31/07

44" Formed Cutter Deck - Parts List for Figure 2

Ref. No.	Part No.	Description	Qty.
1	00012158	Flat Washer, 3/8	4
2	00022560	Hex Nut, 3/8-16, Flange Lock	9
3	01000338	Hex Cap Screw 1/4-20 x .620	2
4	01000372	Carriage Bolt, 3/8-16 x .75	4
5	01002601	Hex Cap Screw, 3/8-16, .750	1
6	01002766	Nut, 1/4-20, hexflange Lock	2
7	01008620	Self Tapping Screw 5/16-18 x .750	6
8	02003834	Belt Cover Right Hand	1
9	02003835	Belt Cover Left Hand	1
10	02005215	Deck Assembly 44"	1
11	631-0094A	Chute Assembly	1
12	712-0641	Hex Nut, M16-1.5	2
13	721-04041	Water Nozzle Adaptor	1
14	734-04155	Deck Wheel, 5.00 Dia.	4
15	736-0760	Lock Washer, 17 x 23.8 x 1.95	2
16	737-04003C	Deck Water Nozzle	2
17	738-3056	Shoulder Screw .498 x 1.53	4

44" Deck Spindle Assembly - Figure 3

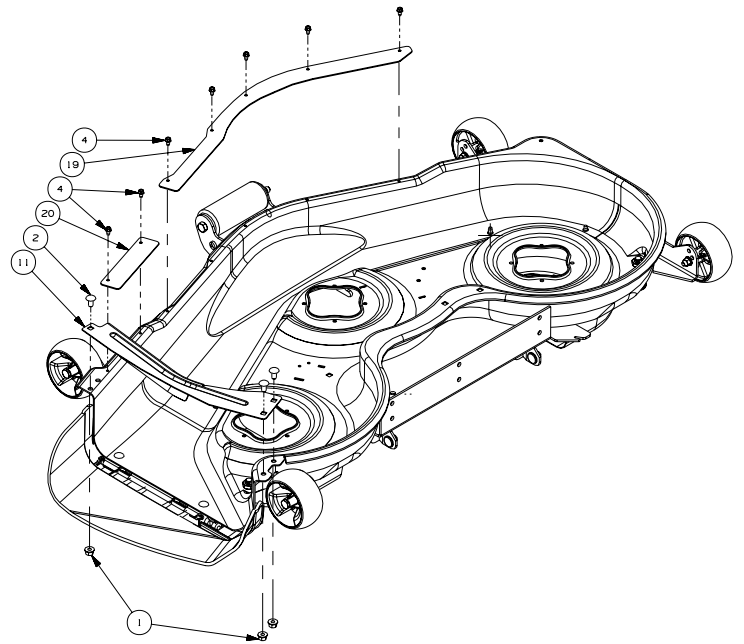
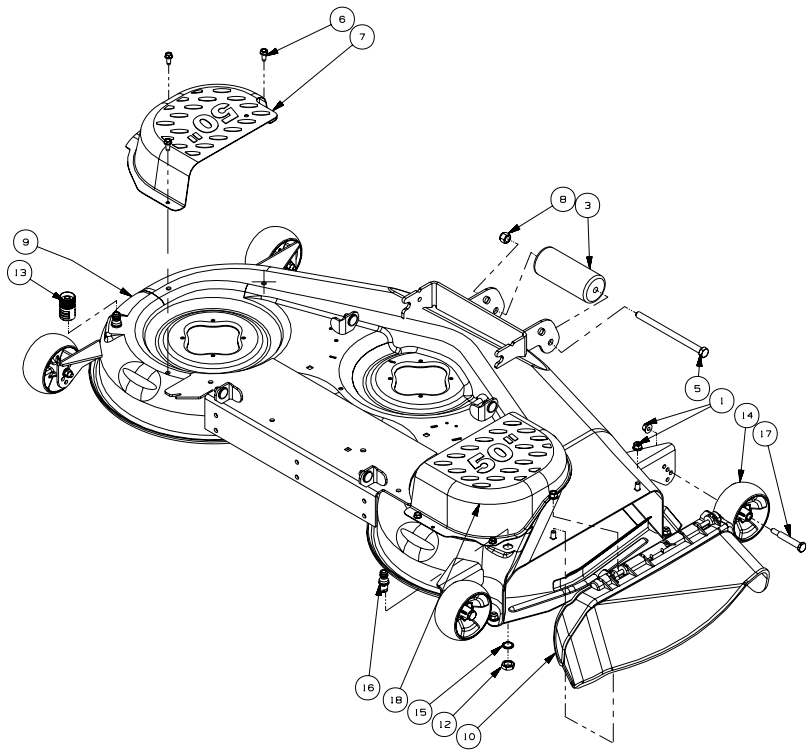


GD: 02005212-11/20/07

44" Deck Spindle Assembly - Parts List for Figure 3

Ref. No.	Part No.	Description	Qty.
1	00002528	Hex Cap Screw 3/8-16 x 2.00	1
2	00006131	Hex Nut 3/8-16	1
3	00011861	Hex Cap Screw 3/8-16 x 2.50	1
4	00011925	Hex Cap Screw, 3/8-16, 4.00	1
5	00012226	Grease Fitting, 1/4-28, 90 degree	1
6	00022560	Hex Nut, 3/8-16, Flange Lock	8
7	00027279	Nut 7/16-14, Nylock	1
8	00050441	V-Belt, B-Section	1
9	00060078	Grease Fitting, 1/4-28 x 3/16	1
10	00083192	Idler Washer	2
11	01000372	Carriage Bolt, 3/8-16 x .75	2
12	01000387	Idler Spring	1
13	01000393	Flat Washer, .469 ID x .875 OD x .105	1
14	01000723	Flat Washer, .406 ID x 1.0 OD x .105	4
15	01002010	Carriage Screw, 3/8-16 x 1.25	1
16	01002564	Spacer, .76 ID x 2.00 OD x .477	3
17	01003123	Spacer .812 ID x .218	3
18	01003245	Spacer, .39 ID x .625 OD x 2.75	1
19	01004415	Spacer, .760 ID x 2.000 OD x 1.1	1
20	01008456	Spacer .760 ID x 1.5 OD	1
21	01008593	Idler Arm Assembly	1
22	01009253	Washer, 5/16-18	1
23	01009635	Extension Spring, .98 OD x 5.00	1
24	02000071	Spindle Bolt 3/4-16 x 7.155	1
25	02000079	V-Pulley 4.25 OD Casting	1
26	02000103	V-Belt, A-Section	1
27	02000402	Nut, 3/4-16, Hex Flange	3
28	02000762	Self Tapping Screw 5/16-18 x 1.0	12
29	02000819	Spindle Bolt 3/4-16 x 5.37	2
30	02001855	Idler Arm Assembly, Top	1
31	02002356	Belt Guide	1
32	02003762	Deck Plate	1
33	02004447	Idler Pulley, 4.06	1
34	02005020	Blade, 15.94 Hi-Lift, 0.756 ID	3
35	02005077	Flat Pulley	2
36	618-04426	Spindle Assembly	3
37	737-3000	Grease Fitting	3
38	738-3172	Shoulder Screw .68 x 2.11	1
39	748-3065A	Spindle Spacer	6
40	750-3119	Spacer .406 ID x 1.0 OD	2
41	756-3089	Pulley	3

50" Formed Cutter Deck - Figure 4



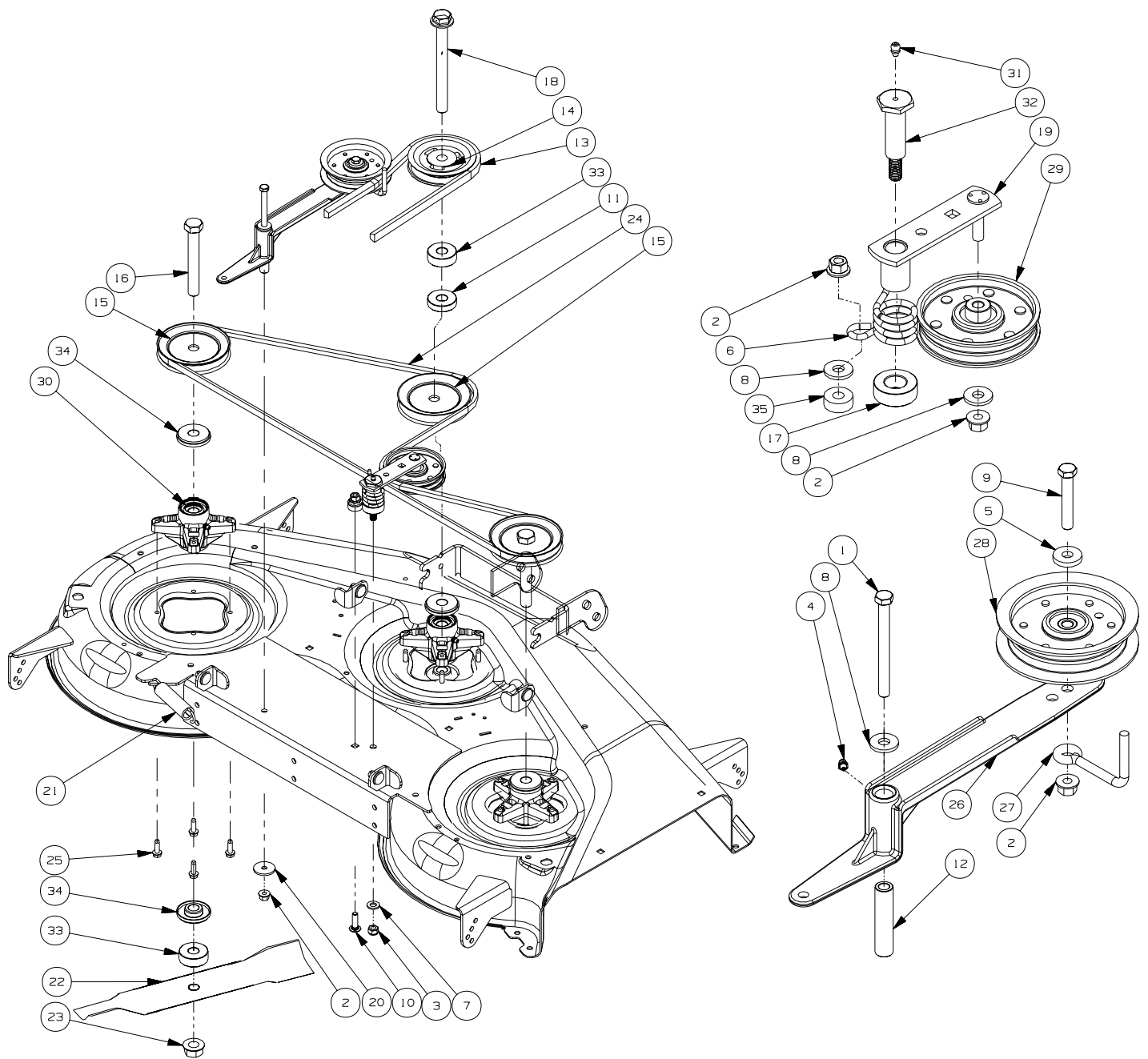
Deck Shown Upside Down

GD: 02005059-11/08/07

50" Formed Cutter Deck - Parts List for Figure 4

Ref. No.	Part No.	Description	Qty.
1	00022560	Hex Nut, 3/8-16, Flange Lock	9
2	01000372	Carriage Bolt, 3/8-16 x .75	5
3	01000385	Front Roller	1
4	01000628	Screw, 1/4-20 x 1/2	7
5	01006961	Hex Cap Screw, 1/2-20 x 7.50	1
6	01008620	Self Tapping Screw 5/16-18 x .750	6
7	02000464	Belt Cover Left Hand	1
8	02002299	Nut, 1/2-20, Lock	1
9	02004846	Deck Assembly 50"	1
10	631-04070A	Chute Assembly	1
11	703-3511A	Finger Guard	1
12	712-0641	Hex Nut, M16-1.5	2
13	721-04041	Water Nozzle Adaptor	1
14	734-04155	Deck Wheel, 5.00 Dia.	4
15	736-0760	Lock Washer, 17 x 23.8 x 1.95	2
16	737-04003C	Deck Water Nozzle	2
17	738-3056	Shoulder Screw .498 x 1.53	4
18	783-04400	Belt Cover Right Hand	1
19	783-04414A	Skirt, Center, 50"	1
20	783-04415	Skirt, Right Hand, 50"	1

50" Deck Spindle Assembly - Figure 5

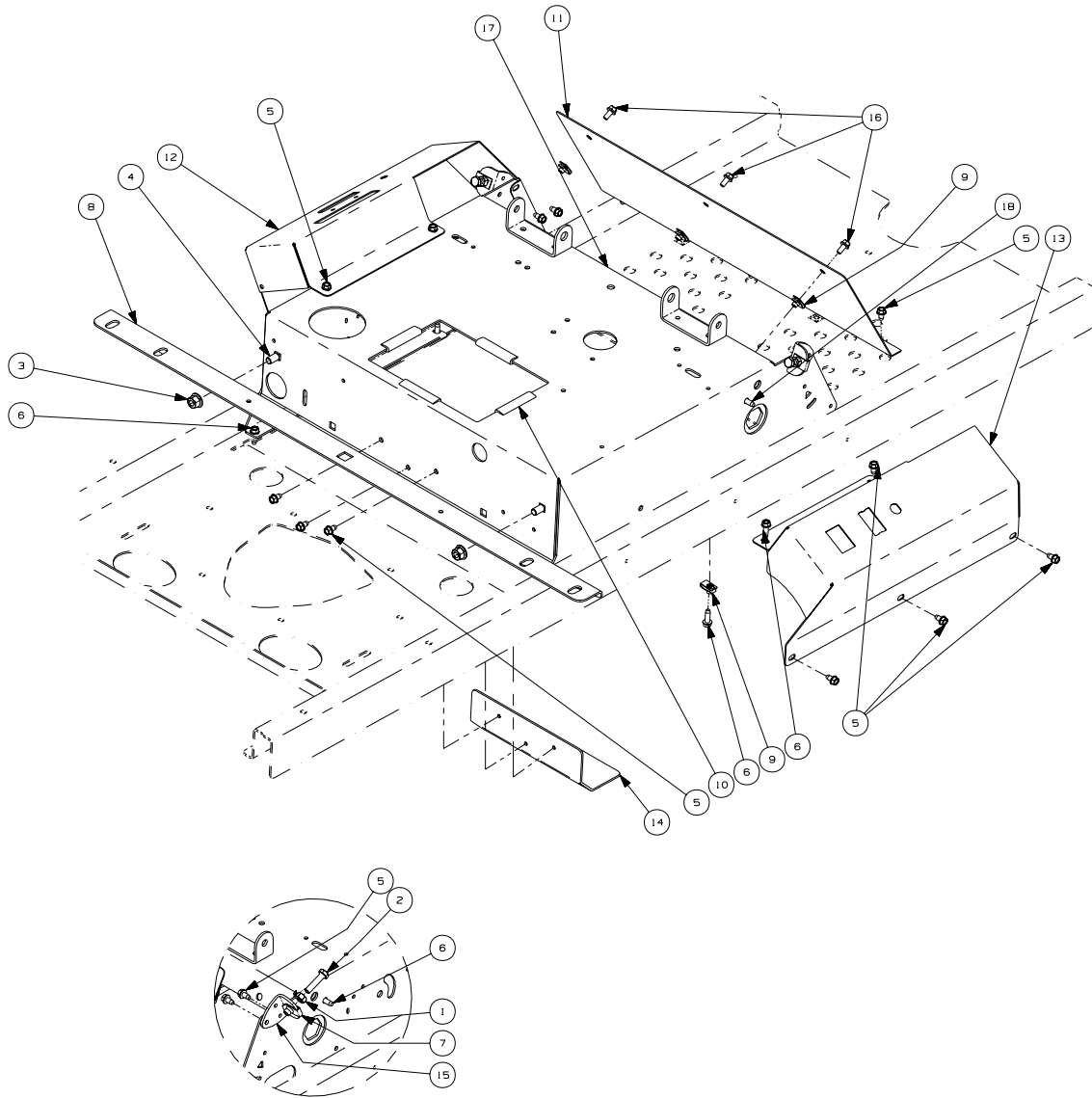


GD: 02005076-12/11/07

50" Deck Spindle Assembly - Parts List for Figure 5

Ref. No.	Part No.	Description	Qty.
1	00011925	Hex Cap Screw, 3/8-16, 4.00	1
2	00022560	Hex Nut, 3/8-16, Flange Lock	4
3	00027279	Nut 7/16-14, Nylock	1
4	00060078	Grease Fitting, 1/4-28 x 3/16	1
5	00083192	Idler Washer	1
6	01000387	Idler Spring	1
7	01000393	Flat Washer, .469 ID x .875 OD x .105	1
8	01000723	Flat Washer, .406 ID x 1.0 OD x .105	3
9	01001366	Hex Cap Screw 3/8-16 x 2.25	1
10	01002010	Carraige Screw, 3/8-16 x 1.25	1
11	01002564	Spacer, .76 ID x 2.00 OD x .477	1
12	01003245	Spacer, .39 ID x .625 OD x 2.75	1
13	01005011	V-Belt, Mower Drive	1
14	01005202	V-Pulley, 4.75 OD	1
15	01006535	V-Pulley, 5.0 OD	3
16	01006590	Hex Cap Screw 3/4-16 x 5.50	2
17	01008456	Spacer .760 ID x 1.5 OD	1
18	01008542	Hex Cap Screw, 3/4-16, 7.50	1
19	01008593	Idler Arm Assembly	1
20	01009253	Washer, 5/16-18	1
21	01009635	Extension Spring, .98 OD x 5.00	1
22	01010168	Hi-Lift Blade, 17.9	3
23	02000402	Nut, 3/4-16, Hex Flange	3
24	02000653	V-Belt, 1/2 x 90.9 LG	1
25	02000762	Self Tapping Screw 5/16-18 x 1.0	12
26	02001855	Idler Arm Assembly, Top	1
27	02002356	Belt Guide	1
28	02004447	Idler Pulley, 4.06	1
29	02005077	Flat Pulley	1
30	618-04426	Spindle Assembly	3
31	737-3000	Grease Fitting	1
32	738-3172	Shoulder Screw .68 x 2.11	1
33	748-3020	Blade Spacer	4
34	748-3065A	Spindle Spacer	6
35	750-3119	Spacer .406 ID x 1.0 OD	1

Control Assembly - Figure 6 and Parts List

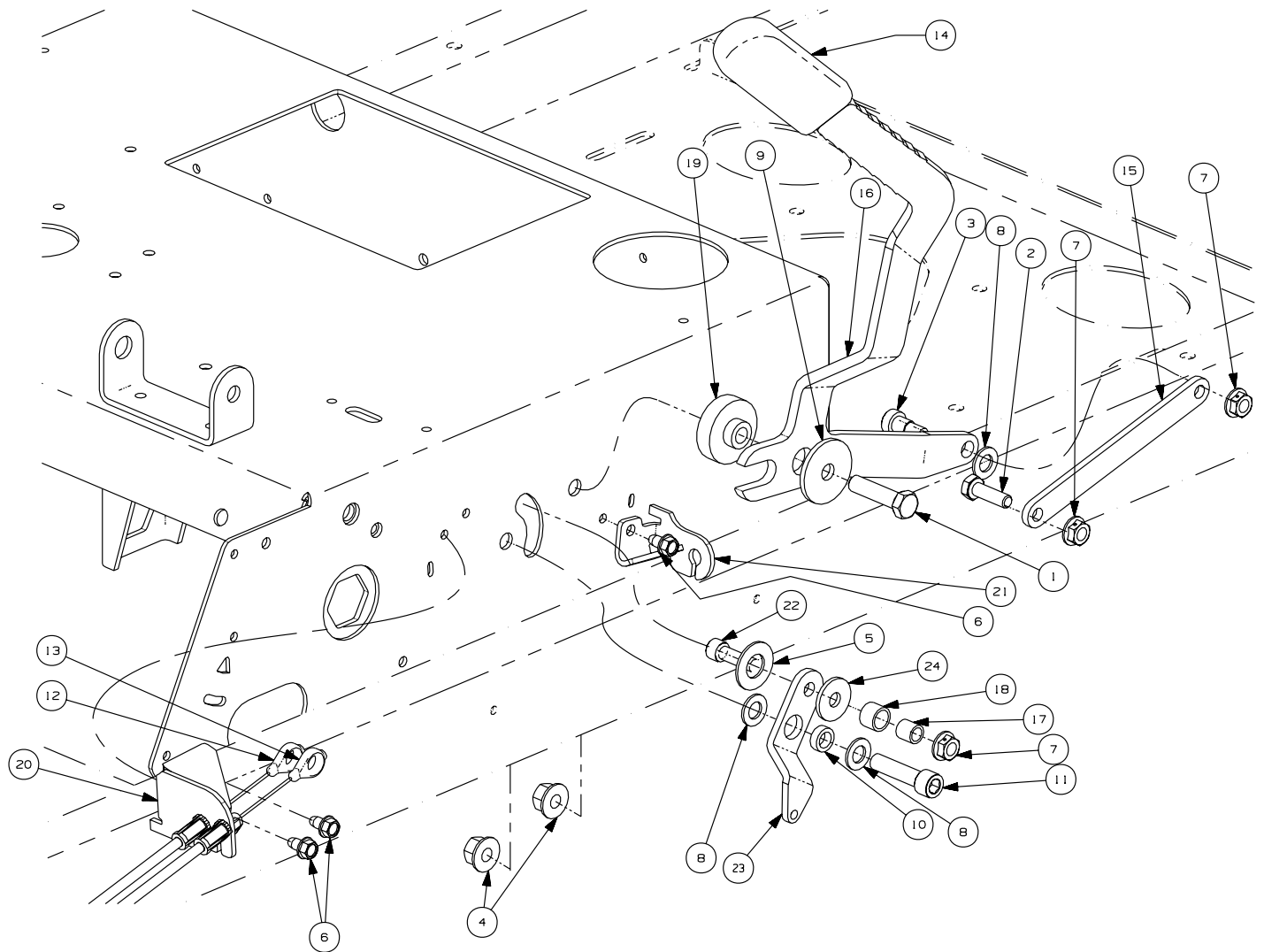


DETAIL A
SCALE 1/8"

GD: 02002756-05/15/07

Ref. No.	Part No.	Description	Qty.
1	00012166	Hex Nut, 5/16-18	2
2	00013116	HHCS, 5/16-18 x 1-1/4	2
3	00022560	Hex Nut, 3/8-16 Flange Lock	2
4	01000372	Carriage Bolt, 3/8-16	2
5	01000628	Screw, 1/4-20 x 1/2	19
6	01000629	Self Tapping Screw, 1/4-20 x .75	5
7	01003563	U-Nut, 5/16-18	2
8	01008490	Front Tank Mounting Bracket	1
9	01008539	U-Nut, 1/4-20	5
10	01008572	Battery Edge Trim	4
11	02002456	Front Panel	1
12	02002735	Left Hand Control Console	1
13	02002736	Right Hand Control Console	1
14	02002744	Battery Bracket	1
15	02002761	Forward/Reverse Stop Bracket	2
16	02003812	Screw, 1/4-20 x 1/2	3
17	02004348	Control Housing Weldment	1
18	01008620	Self Tapping Screw 5/16-18 x .750	2

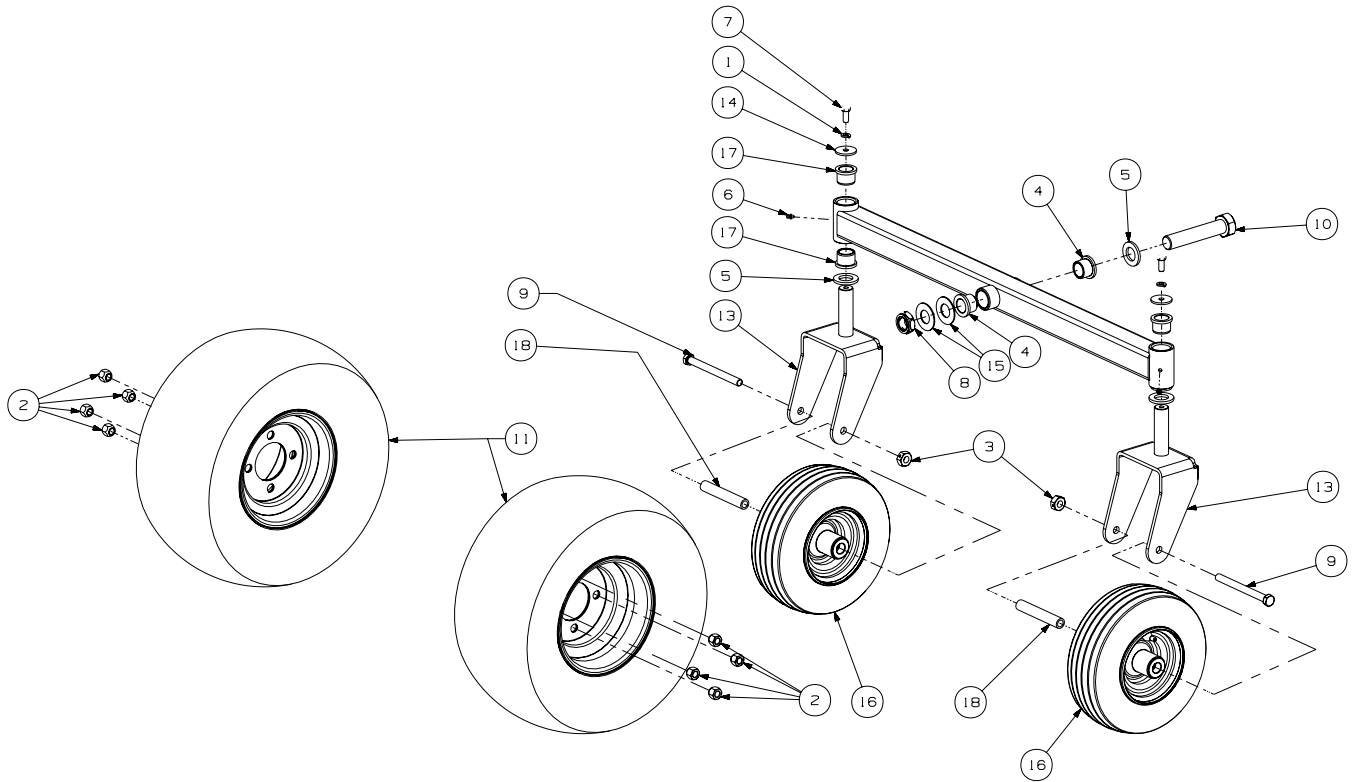
Brake Assembly - Figure 7 and Parts List



GD: 02004047-04/16/07

Ref. No.	Part No.	Description	Qty.	Ref. No.	Part No.	Description	Qty.
1	00010980	Hex Head Cap Screw, 3/8-16 x 1.50	1	13	02003729	Right Hand Brake Cable	1
2	00012180	Hex Head Cap Screw, 5/16-18 x 1.00	1	14	02003740	Parking Brake Grip	1
3	00013733	Shoulder Bolt, 3/8 x 3/8	1	15	02003831	Brake Link Plate	1
4	00022560	Hex Nut, 3/8-16 Flange Lock	2	16	02003832	Brake Handle	1
5	01000101	Slide Washer	1	17	02003839	Spacer, .322 ID x .438 OD x .44	1
6	01000628	Screw, TT, 1/4-20, 0.5, Hex Index Washer	3	18	02003840	Spacer, .442 ID x .563 OD x .405	1
7	01000635	Nut, 5/16-18, Flange Lock	3	19	02004045	Step Hub, .379 x 1.5 x .257/.400	1
8	01002710	Washer, .375 x .738 x .063	3	20	02004122	Brake Cable Mounting Bracket	1
9	01009253	Flat Washer, .390 x 1.5 x .134	1	21	02004123	Brake Cable Mounting Bracket	1
10	02002885	Spacer, .380 x .563 x .196	1	22	02004124	Sockethead Capscrew, 5/16-18 x 1.00	1
11	02003717	Sockethead Capscrew, 3/8-16 x 1.50	1	23	02004174	Lockout Lever Plate	1
12	02003728	Left Hand Brake Cable	1	24	736-3089	Washer, .345 x 1.00 x .100	1

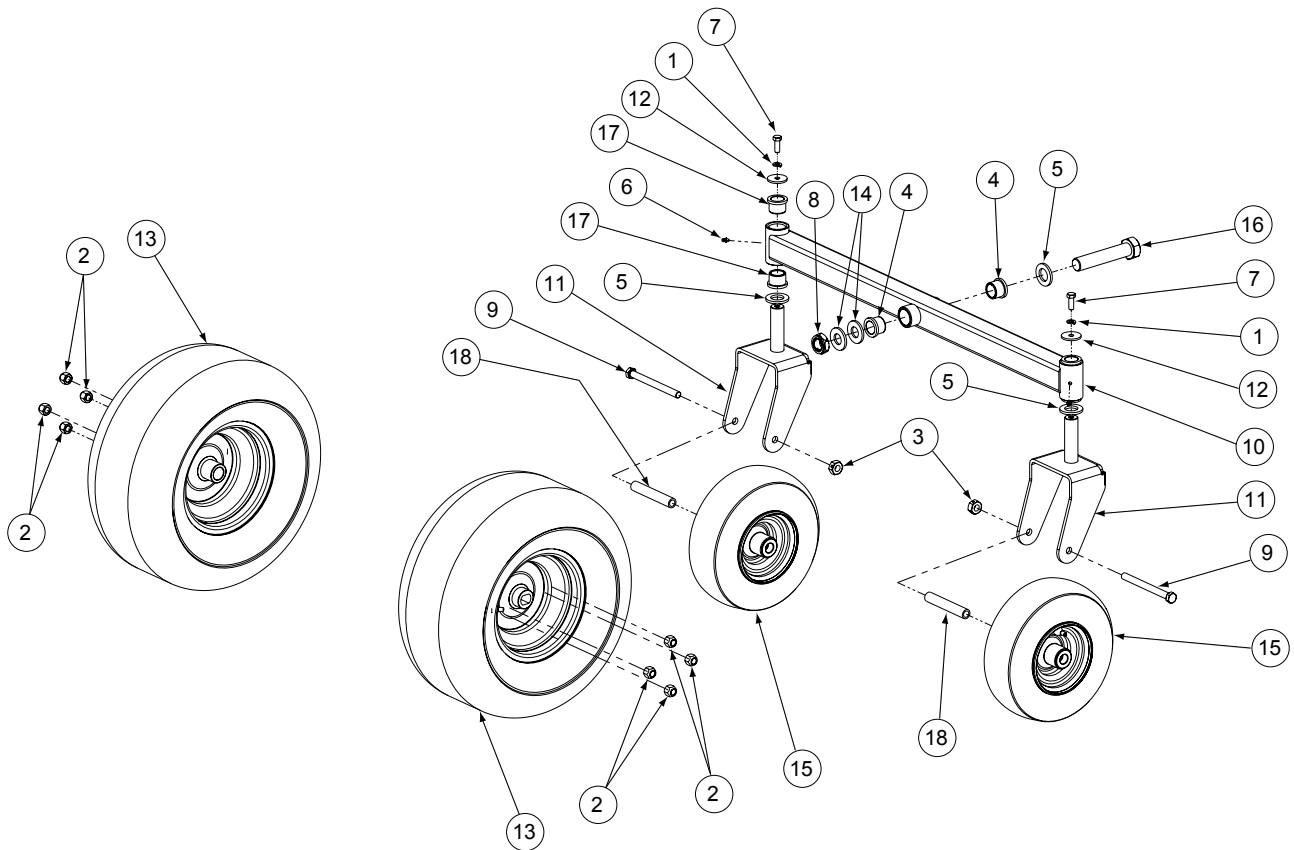
44" Front Caster & Tire Assembly - Figure 8 and Parts List



GD: 02003791-10/04/07

Ref. No.	Part No.	Description	Qty.
1	00012157	Lock Washer, 3/8 Zinc	2
2	00012187	Lug Nut, 1/2-20	8
3	00023287	Nut, 1/2-20, Center Lock	2
4	02003599	Flange Bearing, 1.001 ID	2
5	00023822	Washer Special	3
6	00060078	Grease Fitting, 1/4-28 x 3/16	2
7	01000368	Hex Cap Screw, 3/8-16 x .88	2
8	01000678	Nut Jam, 1.0-14, Nylon Insert	1
9	01000745	Hex Cap Screw, 1/2-20 x 5.50	2
10	02003804	Hex Cap Screw, 1-14 x 5.5	1
11	01008320	Wheel Assembly, 18 x 8.5	2
12	01008384	Front Axle Assembly	1
13	01008549	Castor Wheel Mounting Bracket	2
14	01009253	Flat Washer, .390 x 1.5 x .134	2
15	02000588	Flat Washer, 1.00 ID x 2.25 OD x .075	2
16	02003488	Wheel Assembly, 11 x 4 - 4, Beige	2
17	731-0374	Flange Bearing, 1.0 ID	4
18	750-3197A	Wheel Spacer	2

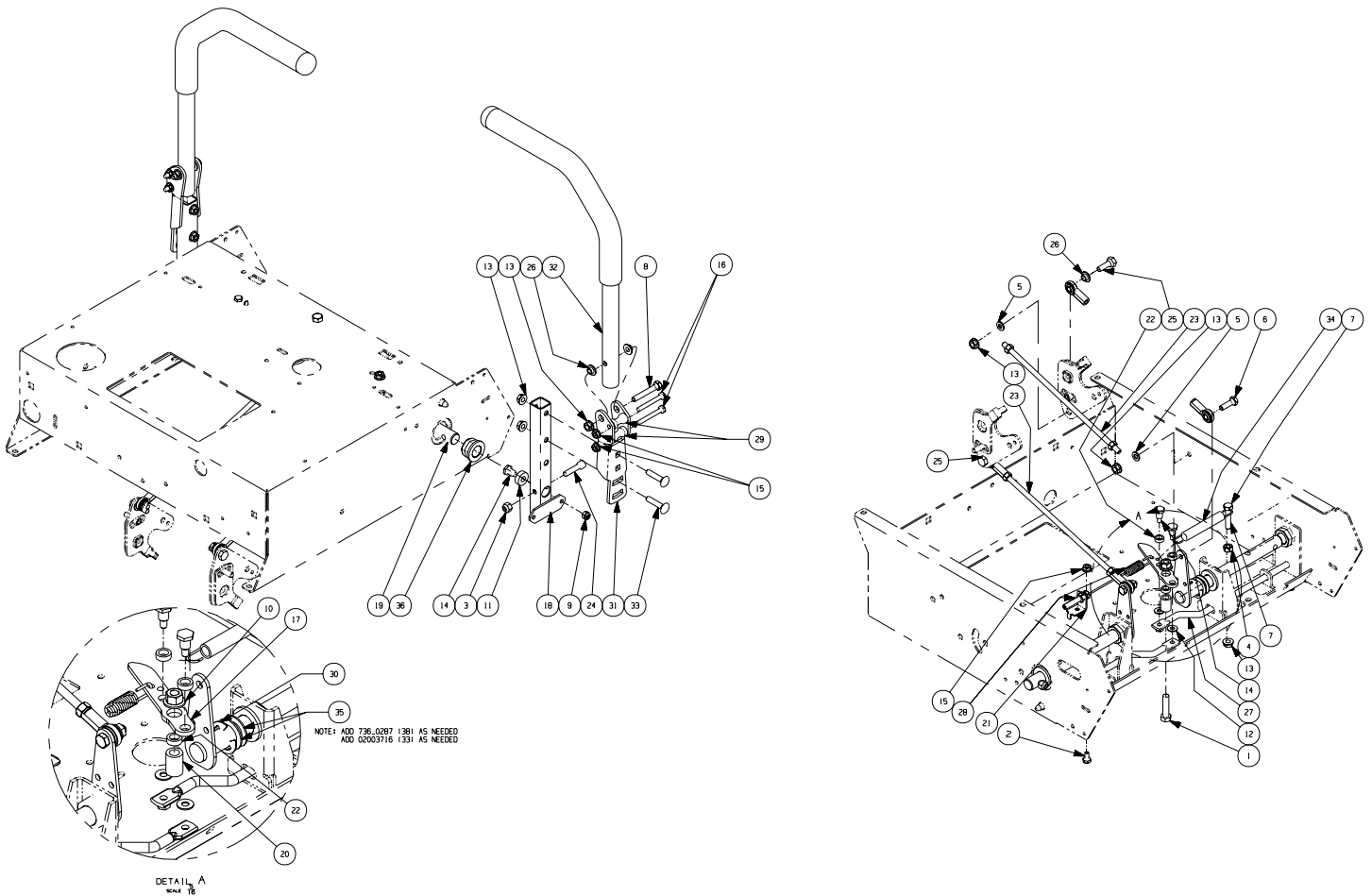
50" Front Caster & Tire Assembly - Figure 9 and Parts List



GD: 02003485-10/04/07

Ref. No.	Part No.	Description	Qty.
1	00012157	Lock Washer, 3/8 Zinc	2
2	00012187	Lug Nut, 1/2-20	8
3	00023287	Nut, 1/2-20, Center Lock	2
4	02003599	Flange Bearing, 1.001 ID	2
5	00023822	Washer Special	3
6	00060078	Grease Fitting, 1/4-28 x 3/16	2
7	01000368	Hex Cap Screw, 3/8-16 x .88	2
8	01000678	Nut Jam, 1.0-14, Nylon Insert	1
9	01000745	Hex Cap Screw, 1/2-20 x 5.50	2
10	01008384	Front Axle Assembly	1
11	01008549	Castor Wheel Mounting Bracket	2
12	01009253	Flat Washer, .390 x 1.5 x .134	2
13	01009828	Wheel Assembly, 18 x 9.5	2
14	02000588	Flat Washer, 1.00 ID x 2.25 OD x .075	2
15	02003488	Wheel Assembly, 11 x 4 - 4, Beige	2
16	02003804	Hex Cap Screw, 1-14 x 5.5	1
17	731-0374	Flange Bearing, 1.0 ID	4
18	750-3197A	Wheel Spacer	2

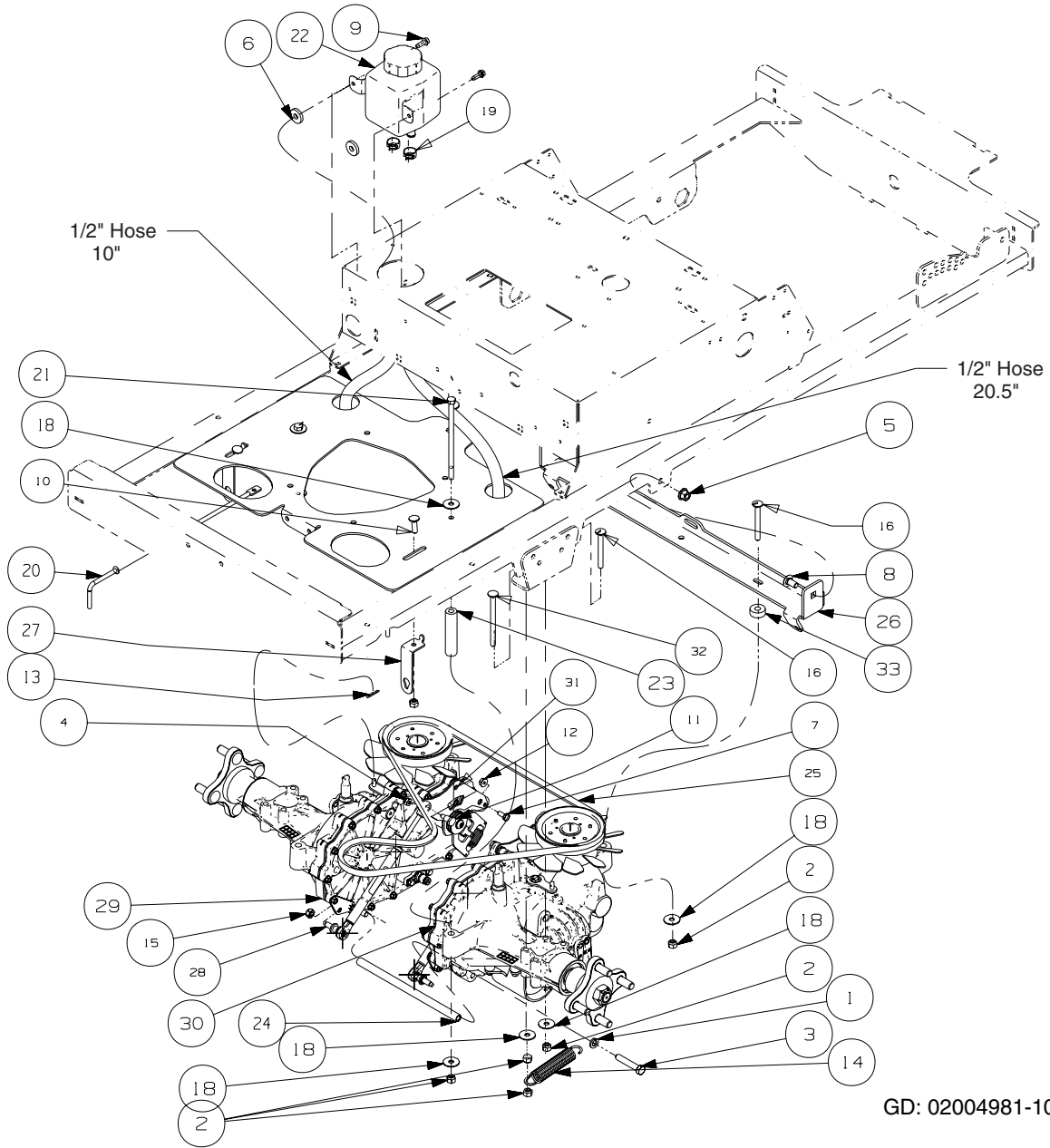
Steering Assembly -Figure 10 and Parts List



GD: 02005118-10/16/07

Ref. No.	Part No.	Description	Qty.	Ref. No.	Part No.	Description	Qty.
1	00011438	Hex Cap Screw, 3/8-16 x 1-1/2	1	20	02002844	Spacer, .385 ID x .625 OD x .869	1
2	00012133	Hex Cap Screw, 1/4-20 x 1/2	1	21	02002864	Brake Cable Mounting Bracket	1
3	00012165	Nylock Nut, 5/16-18	2	22	02002885	Spacer, .380 x .563 x .196	3
4	00012166	Hex Nut, 5/16-18	1	23	02002992	Steering Link Rod	2
5	00012169	Flat Washer, 5/16	4	24	02002994	Socket Head Capscrew, 5/16-18 x 1.25	2
6	00012180	Hex Head Cap Screw, 5/16-18 x 1.00	2	25	00013116	HHCS, 5/16-18 x 1-1/4	2
7	00012382	Hex Cap Screw, 5/16-18 x 1-1/2	1	26	02003419	Bushing, .310 x .172 x .688 x .06	6
8	00013198	Hex Cap Screw, 5/16-18 x 2.00	2	27	02003560	Control Lock Rod	2
9	00014081	Nut, 1/4-28, SS, Nylon Insert	2	28	02003568	Control Cable Lock Out	1
10	00022560	Nut, Flange Lock, 3/8-16	1	29	02003644	Spacer, .25 ID x .38 OD x 1.13	4
11	00071691	Control Rod Spacer	2	30	02003716	Retainer Ring, E-Clip	2
12	01000600	Flat Washer, 1.4 x .630 x .0515	2	31	02003853	Lapbar Pivot Bracket	2
13	01000635	Nut, 5/16-18, Lock	11	32	02003855	Lapbar Assembly includes:	2
14	01001919	Shoulder Screw, 1/4-28	4		02003857	Control Handle Pivot Tube	
15	01002766	Nut, 1/4-20, Hex Flange Lock Nut	6		02002662	Grip, 1.0	
16	01006898	Hex Cap Screw, 1/4-20 x 2.00	4	33	710-0262	Carriage Bolt, 5/16-18 x 1.50	4
17	02002684	Brake Lever Plate	1	34	732-0470A	Extension Spring, .53 OD x 4.7	1
18	02002687	Pivot Bracket Weldment	2	35	736-0287	Flat Washer, .793 ID x 1.24 OD x .060	4
19	02002723	Steering Input Shaft Assembly	2	36	741-0598	Hex Flange Bearing, .752 ID	4

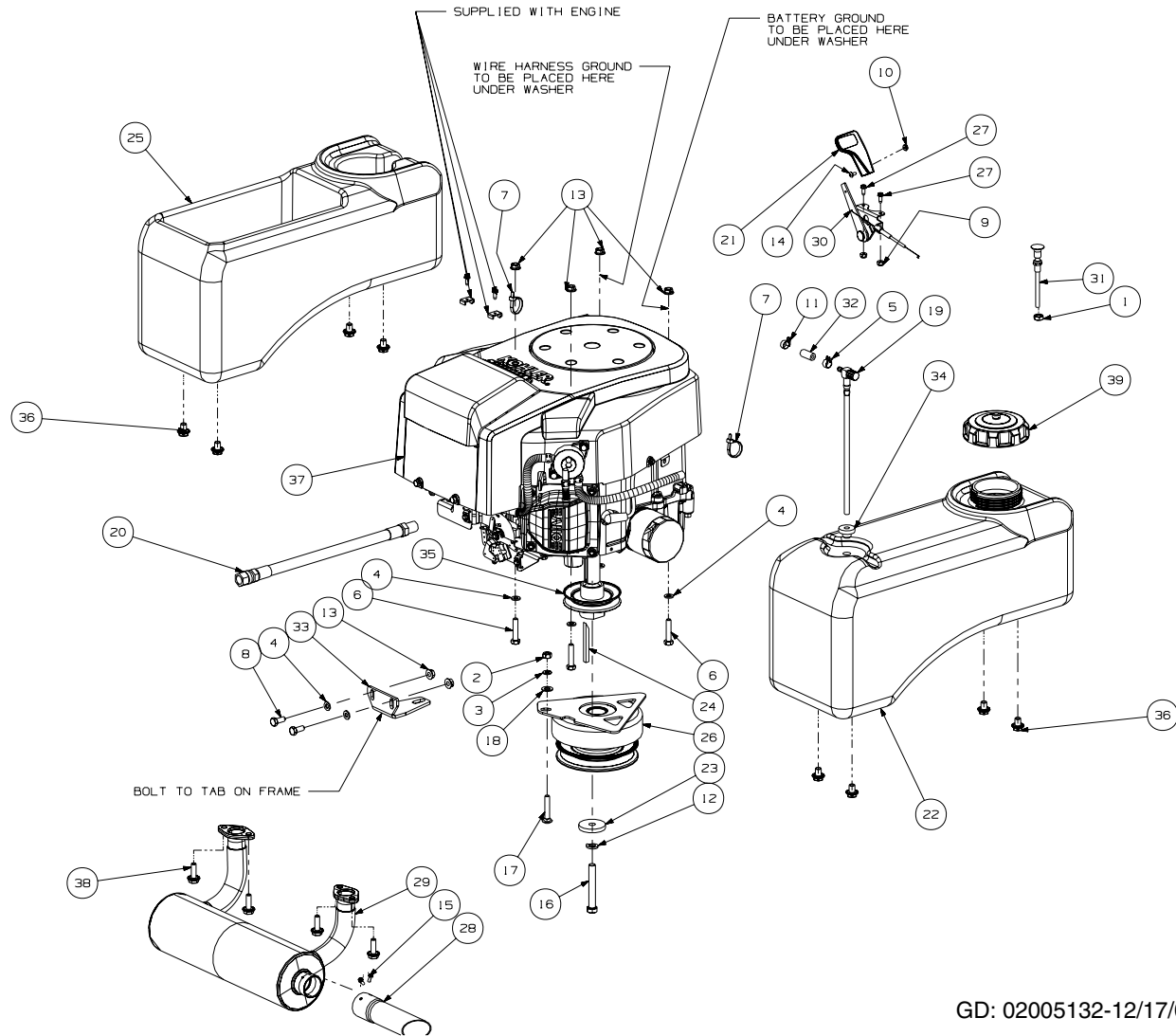
Drive Train Assembly- Figure 11 and Parts List



GD: 02004981-10/24/07

Ref. No.	Part No.	Description	Qty.	Ref. No.	Part No.	Description	Qty.
1	00012157	Lock Washer, 3/8 Zinc	2	19	02001111	Hose Clamp	4
2	00012165	Nylock Nut, 5/16-18	12	20	02001332	Pump Rod	2
3	00012172	Hex Cap Screw, 3/8-16 x 2.00	2	21	02001556	Hex Cap Screw, 5/16-18 x 6.00	2
4	00014081	Nut, 1/4-28, SS, Nylon Insert	2	22	02001578	Hydraulic Tank	1
5	00022560	Nut, Flange Lock, 3/8-16	2	23	02002646	Spacer, .375 ID x .75 OD x 3.30	2
6	00083192	Idle Washer	2	24	02002647	Transmission Support Tube	1
7	01000338	Hex Cap Screw 1/4-20 x .620	2	25	02002648	V-Belt, 58.4	1
8	01000372	Carriage Bolt, 3/8-16	2	26	02002679	Transmission Front Mounting Bracket	1
9	01000629	Self Tapping Screw, 1/4-20 x .75	2	27	02002965	Neutral Bracket	2
10	01000641	Carriage Bolt, 5/16-18 x 1.00	2	28	02003622	Cylinder Return to Neutral	2
11	01001919	Shoulder Screw, 1/4-28	2	29	02004678	IZT Transmission, Left hand	1
12	01002766	Nut, 1/4-20, Hex Flange Lock Nut	1		02002150	Filter	1
13	01002771	Cotter Pin, .072 x 1.12 Lg	2	30	02004679	IZT Transmission, Right hand	1
14	01002874	Extension Spring, .865 OD x 4.68 Long	2		02002150	Filter	1
15	01003561	Nut, Hex, Center Lock, M8	2	31	02004681	Return to Neutral Control Bracket	2
16	01005340	Carriage Bolt, 5/16-18 x 2.75	4	32	02005326	Carriage Bolt, 5/16-18 x 4.00	2
17	--	Fuel Hose, .50 ID x .75 OD (in inches)	30.5	33	750-3119	Spacer .406 ID x 1.0 OD	2
18	01009937	Washer, 5/16 x 1.06	10				

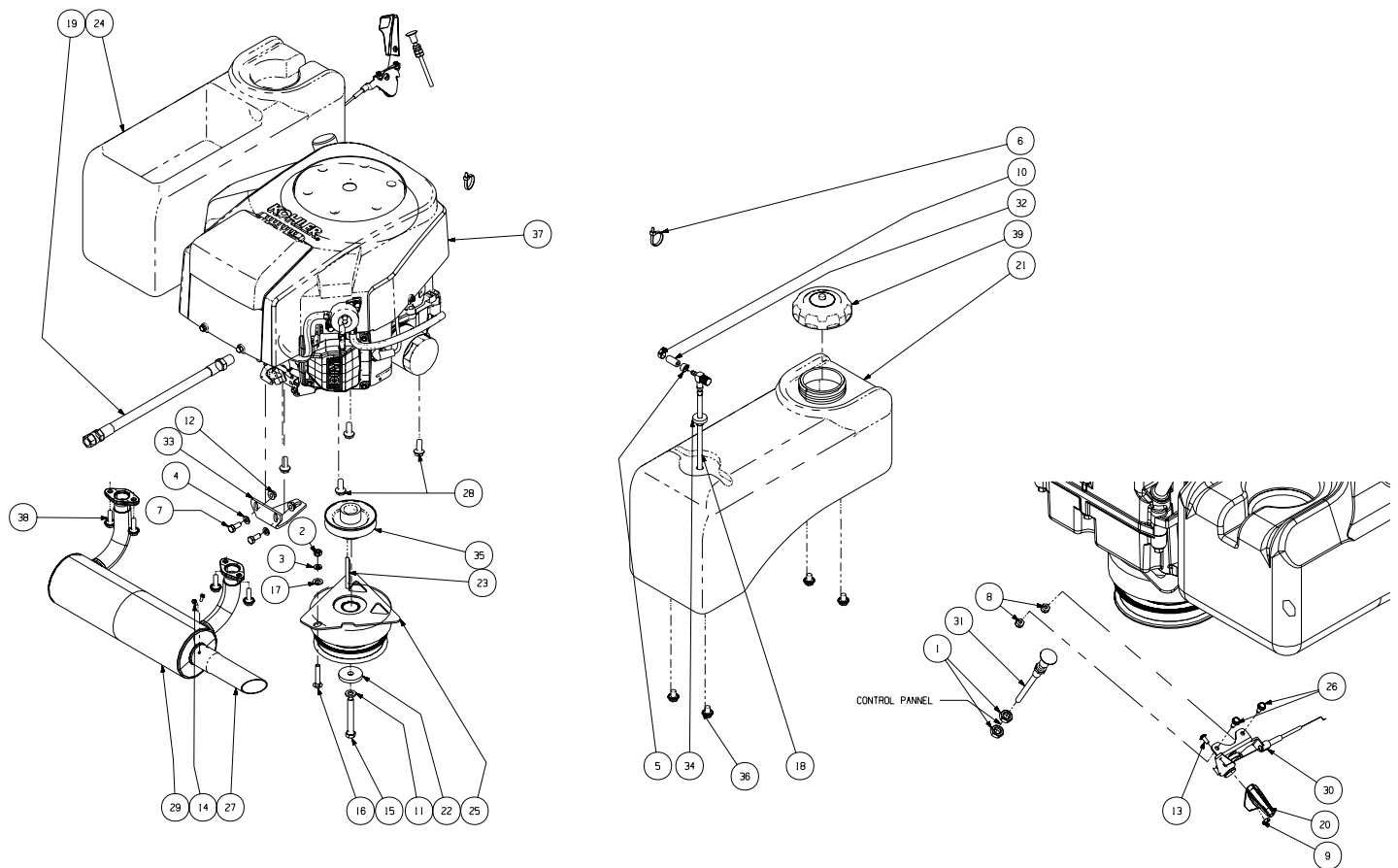
20HP Kohler Engine Assembly - Figure 12 and Parts List



GD: 02005132-12/17/07

Ref No	Part No.	Description	Qty.	Ref No	Part No.	Description	Qty.
1	00011453	Hex Jam Nut, 3/8-24	1	21	01004004	Throttle Control Knob	1
2	00012166	Hex Nut, 5/16-18	1	22	01004350	Fuel Tank	1
3	00012168	Lock Washer, 5/16	1	23	01005314	Flat Washer, 7/16 ID x 1.75 OD x .250	1
4	00012169	Flat Washer, 5/16	6	24	01007533	Key, 1/4 x 1/4 x 2.75	1
5	00012235	Clamp, Union	1	25	01008138	Utility Bin	1
6	00012382	Hex Cap Screw, 5/16-18 x 1-1/2	4	26	01008434	Ogura DX11 Electric Clutch	1
7	00012470	Cable Tie, 3/16 x .05 x 7.4	2	27	01008531	Screw, #10-32 x 0.500	2
8	00013406	Hex Cap Screw, 5/16-18 x .75	2	28	01008623	Exhaust Pipe	1
9	00014608	Lock Nut, Nylon Insert, 10-32	2	29	02000456	Kohler Muffler	1
10	00060056	Nut, w/ Star Washer	1	30	02000477	Throttle Control Cable	1
11	01000215	Hose Clamp, 1/4-5/8, SS	1	31	02000478	Choke Cable	1
12	01000389	Lock Washer, 7/16	1	32	--	Hose, 1/4" Fuel Line	1
13	01000635	Lock Nut, Hex Flange, 5/16-18	6	33	02001992	Clutch Retainer Assembly	1
14	01000721	Machine Screw, 8-32 x .375	1	34	02002253	Fuel Tank Grommet	1
15	01000811	Screw, 8-32 x .375, Hex Washer	2	35	02003417	Transmission Drive Pulley	1
16	01000813	Hex Cap Screw, 7/16-20 x 3.0	1	36	02005013	Hex Head Cap Screw, 3/8-16 x 1.00, Flange Whiz	8
17	01000956	Carriage Bolt, 5/16-18 x 1.75	1	37	02005086	20HP Kohler Engine	1
18	01002710	Washer, 3/8 x .738 x .063	1	38	02005299	Hex Head Cap Screw, 5/16-18 x 1.00, Flange Whiz	4
19	01003116	Fuel Pickup Fitting	1	39	751-3124D	Fuel Cap	1
20	01003283	Oil Drain Extension Hose	1				

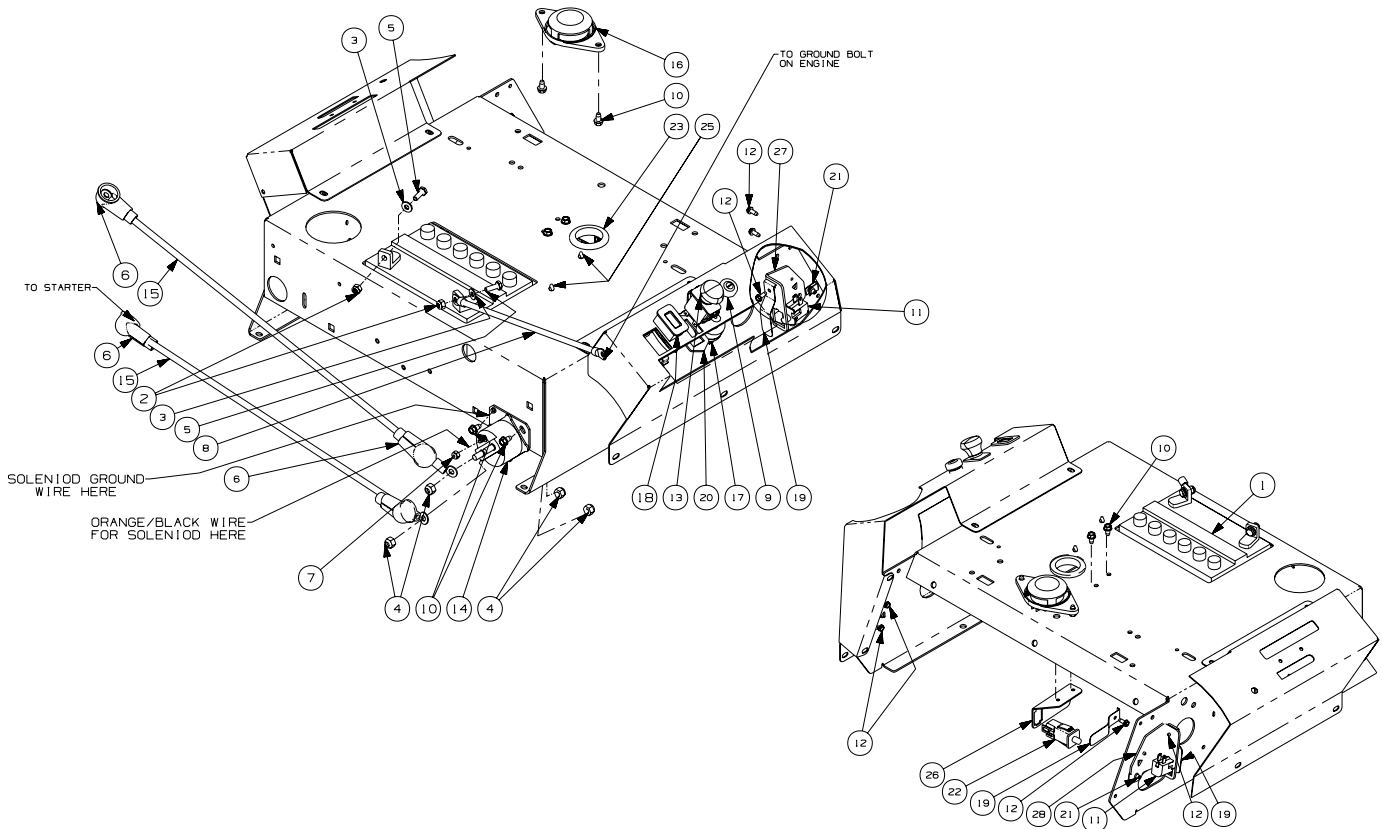
23HP Kohler Engine Assembly - Figure 13 and Parts List



GD: 02005133-12/17/07

Ref No	Part No.	Description	Qty.	Ref No	Part No.	Description	Qty.
1	00011453	Hex Jam Nut, 3/8-24	2	21	01004350	Fuel Tank	1
2	00012166	Hex Nut, 5/16-18	1	22	01005314	Flat Washer, 7/16 ID x 1.75 OD x .250	1
3	00012168	Lock Washer, 5/16	1	23	01007533	Key, 1/4 x 1/4 x 2.75	1
4	00012169	Flat Washer, 5/16	2	24	01008138	Utility Bin	1
5	00012235	Clamp, Union	1	25	01008434	Ogura DX11 Electric Clutch	1
6	00012470	Cable Tie, 3/16 x .05 x 7.4	2	26	01008531	Screw, #10-32 x 0.500	2
7	00013406	Hex Cap Screw, 5/16-18 x .75	2	27	01008623	Exhaust Pipe	1
8	00014608	Lock Nut, Nylon Insert, 10-32	2	28	01009243	Self Tapping Screw, 3/8-16 x 0.875	4
9	00060056	Nut, w/ Star Washer	1	29	02000456	Kohler Muffler	1
10	01000215	Hose Clamp, 1/4-5/8, SS	1	30	02000477	Throttle Control Cable	1
11	01000389	Lock Washer, 7/16	1	31	02000478	Choke Cable	1
12	01000635	Lock Nut, Hex Flange, 5/16-18	2	32	--	Hose, 1/4" Fuel Line	1
13	01000721	Machine Screw, 8-32 x .375	1	33	02001992	Clutch Retainer Assembly	1
14	01000811	Screw, 8-32 x .375, Hex Washer	2	34	02002253	Fuel Tank Grommet	1
15	01000813	Hex Cap Screw, 7/16-20 x 3.0	1	35	02003417	Transmission Drive Pulley	1
16	01000956	Carriage Bolt, 5/16-18 x 1.75	1	36	02005013	Hex Head Cap Screw, 3/8-16 x 1.00, Flange Whiz	8
17	01002710	Washer, 3/8 x .738 x .063	1	37	02005087	23HP Kohler Engine	1
18	01003116	Fuel Pickup Fitting	1	38	02005299	Hex Head Cap Screw, 5/16-18 x 1.00, Flange Whiz	4
19	01003283	Oil Drain Extension Hose	1	39	751-3124D	Fuel Cap	1
20	01004004	Throttle Control Knob	1				

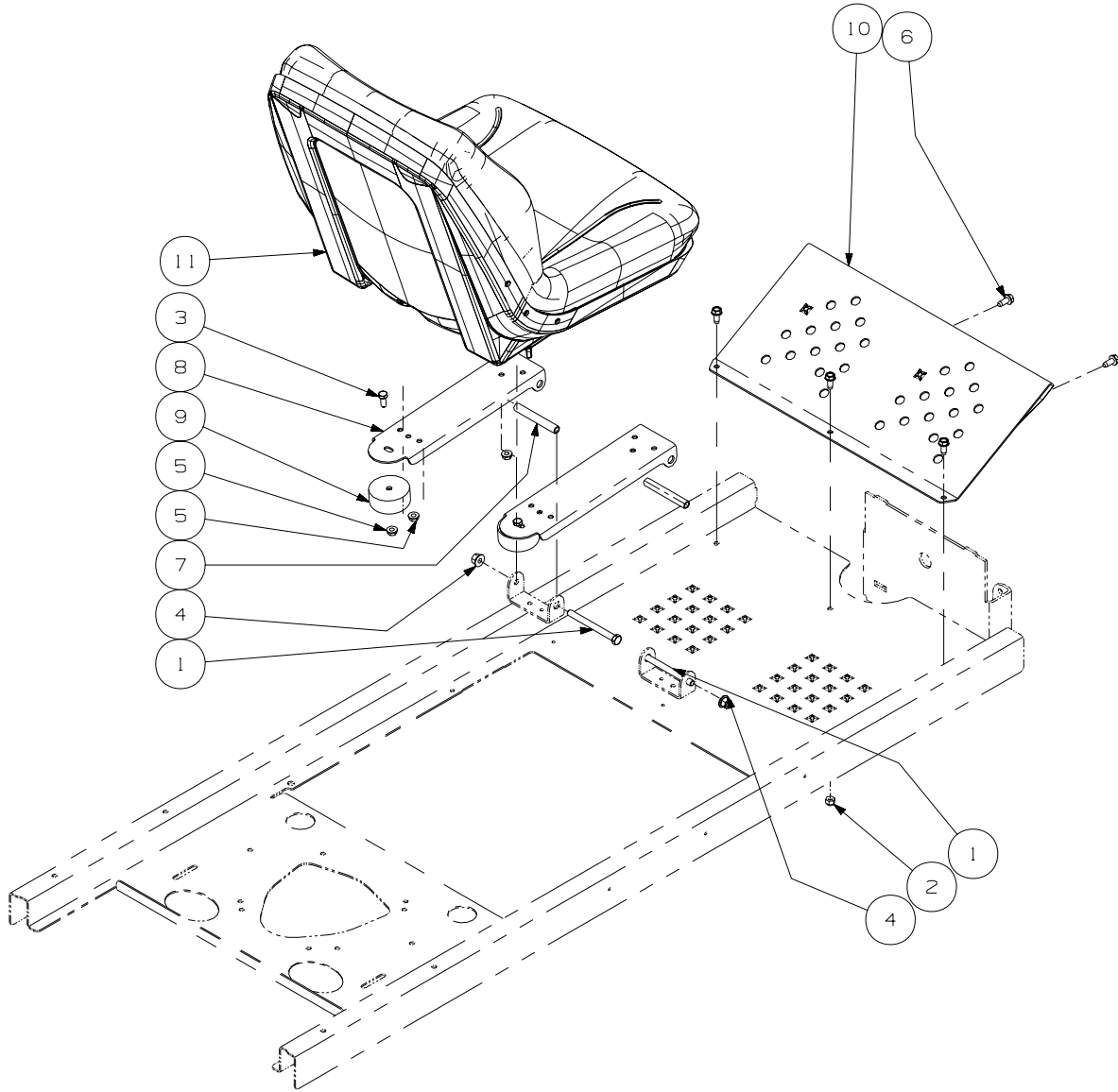
Electrical Assembly - Figure 14 and Parts List



GD: 02005134-12/04/07

Ref. No.	Part No.	Description	Qty.	Ref. No.	Part No.	Description	Qty.
1	00012032	Battery, 12V 225CCA 30Min	1	16	01003277	Normally Closed Seat Switch	1
2	00012152	Lock Nut, Nylon Insert, 1/4-20	2	17	01003581	Switch, Ignition, 6 Pin	1
3	00012154	Flat Washer, 1/4	2	18	01007597	Hour Meter includes:	1
4	00012165	Nut, 5/16-18, Nylock	4	02004259	Clip	1	
5	00013131	Hex Cap Screw, 1/4-20 x .75	2	19	01008042	Safety Switch Retainer Spring	3
6	00013258	Boot, 1" OD Rubber Battery-PST Red	4	20	01009905	PTO Switch Bracket	1
7	00014608	Lock Nut, Nylon Insert, 10 - 32	1	21	01009931	U-nut, 10-24	2
8	00024233	Cable, Battery, Black, 17"	1	22	02000024	Switch, Safety N.O./N.C.	1
9	00032097	Nut, 5/8-32, w/Cap	1	23	02001134	Gromment, 1.5 ID x 2.13 OD	1
10	01000628	Self Tapping Screw, 1/4-20 x 1/2	6	24	02002990	Harness Assembly (not shown)	1
11	01001717	Normally Closed Safety Switch	2	25	02003037	Electrical Conduit Clip, 1/2	2
12	01001864	Self Tapping Screw, 10-32 x 1/2	7	26	02003596	Brake Switch Mounting Bracket	1
13	01002111	Electric PTO Switch	1	27	02003926	Bracket, Safety Switch, Right Hand	1
14	01002228	Solenoid Magnetic Switch	1	28	02003927	Bracket, Safety Switch, Left Hand	1
15	01002252	Cable, Battery, Red, 24"	2	29	02005213	Harness Assembly (not shown)	1

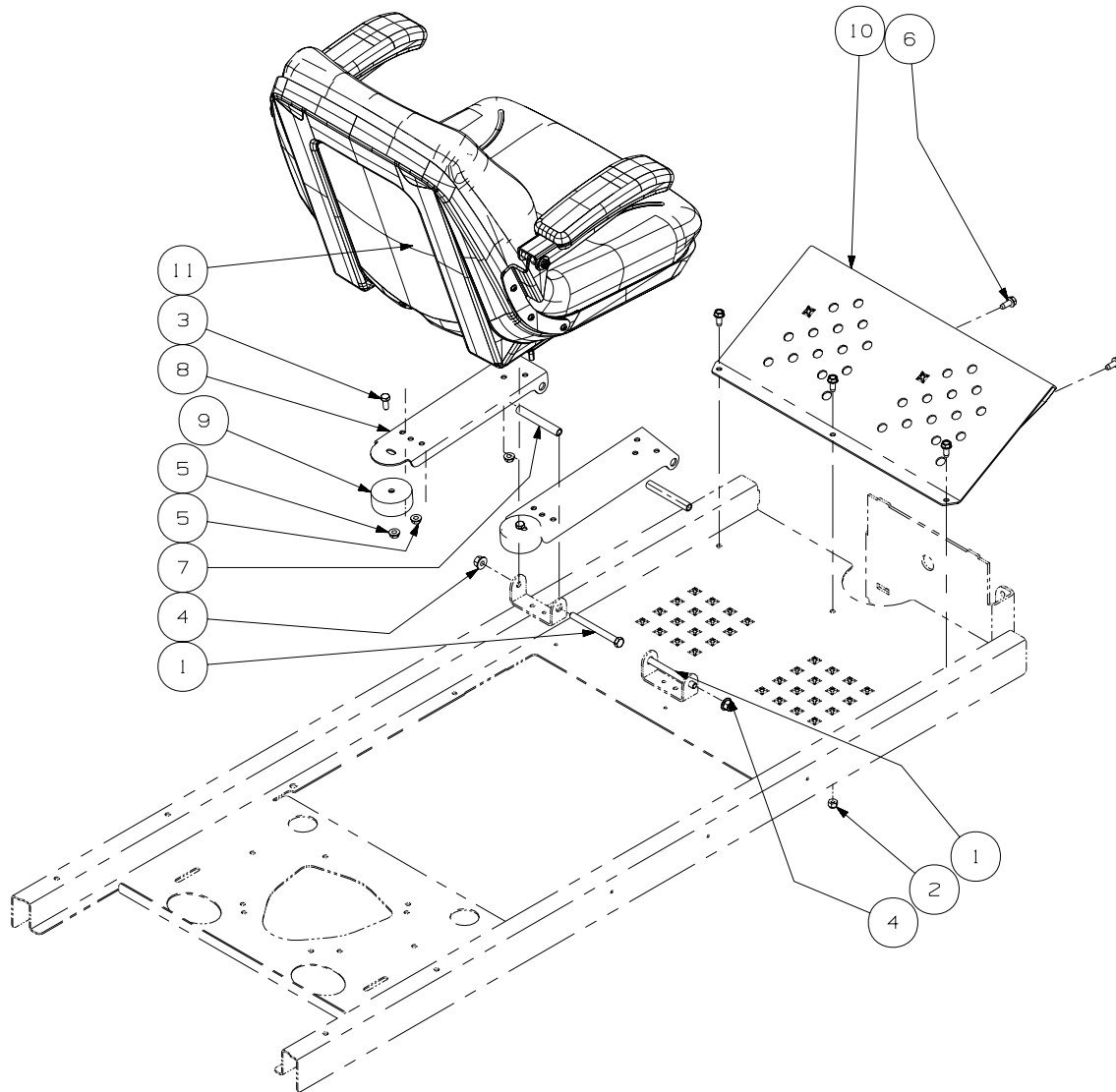
44" Seat Assembly - Figure 15 and Parts List



GD: 02003790-02/21/07

Ref. No.	Part No.	Description	Qty.
1	00011925	Hex Cap Screw, 3/8-16, 4.00	2
2	00012165	Nylock Nut, 5/16-18	3
3	00013406	Hex Cap Screw, 5/16-18 x .75	2
4	00022560	Flange Lock Hex Nut, 3/8-16	2
5	01000635	Nut, 5/16-18, Hex Flange Lock	6
6	01008620	Self Tapping Screw 5/16-18 x .750	5
7	01009872	Spacer, .370 ID x .500 OD x 3.45	2
8	02002746	Seat Mounting Bracket	2
9	02002952	Bumper, 2.50 OD x 1.13 Long	2
10	02002960	Foot Rest Bracket	1
11	02003766	Seat	1

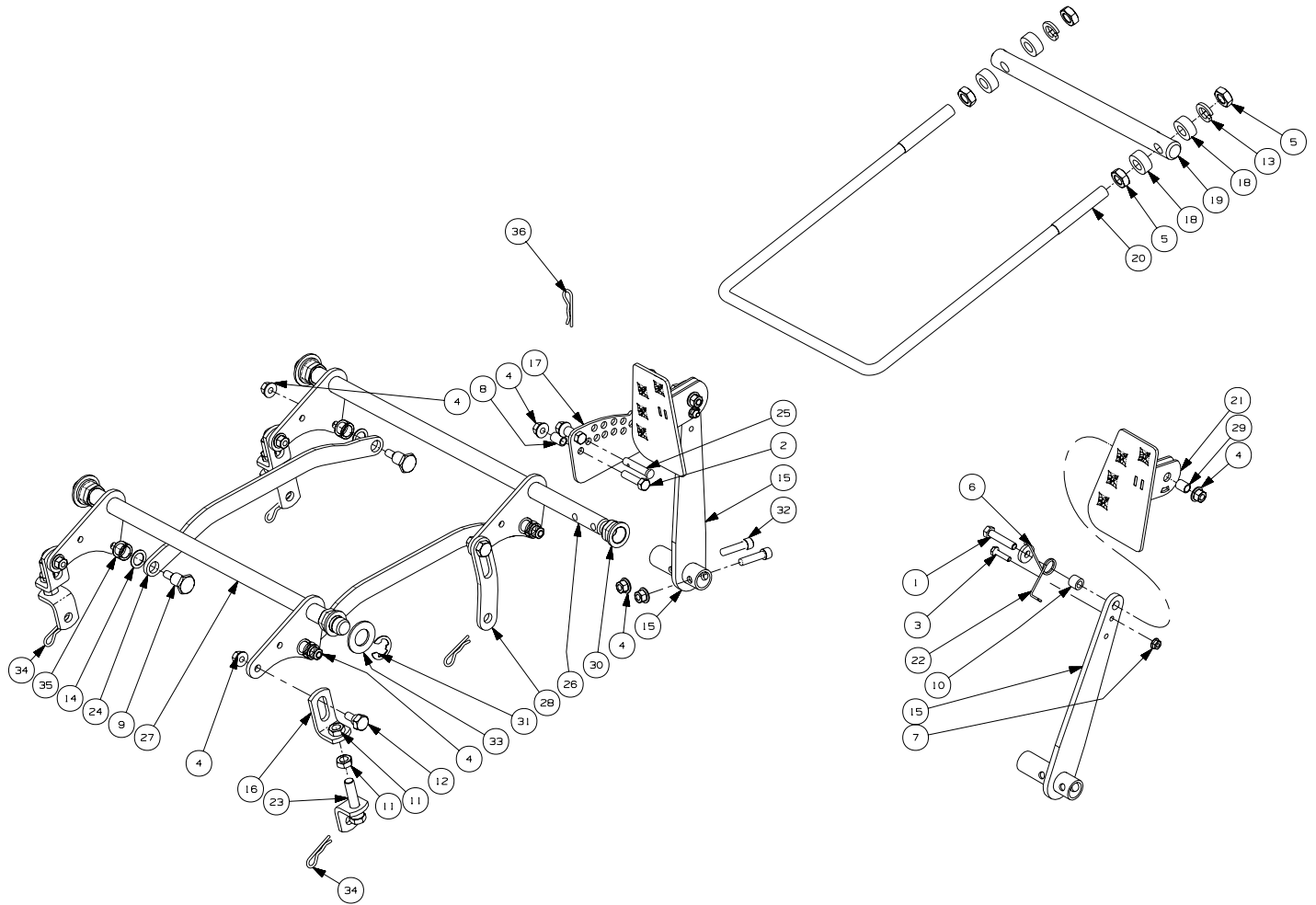
50" Seat Assembly - Figure 16 and Parts List



GD: 02003443-02/22/07

Ref. No.	Part No.	Description	Qty.
1	00011925	Hex Cap Screw, 3/8-16, 4.00	2
2	00012165	Nylock Nut, 5/16-18	3
3	00013406	Hex Cap Screw, 5/16-18 x .75	2
4	00022560	Flange Lock Hex Nut, 3/8-16	2
5	01000635	Nut, 5/16-18, Hex Flange Lock	6
6	01008620	Self Tapping Screw 5/16-18 x .750	5
7	01009872	Spacer, .370 ID x .500 OD x 3.45	2
8	02002746	Seat Mounting Bracket	2
9	02002952	Bumper, 2.50 OD x 1.13 Long	2
10	02002960	Foot Rest Bracket	1
11	02002975	Seat	1

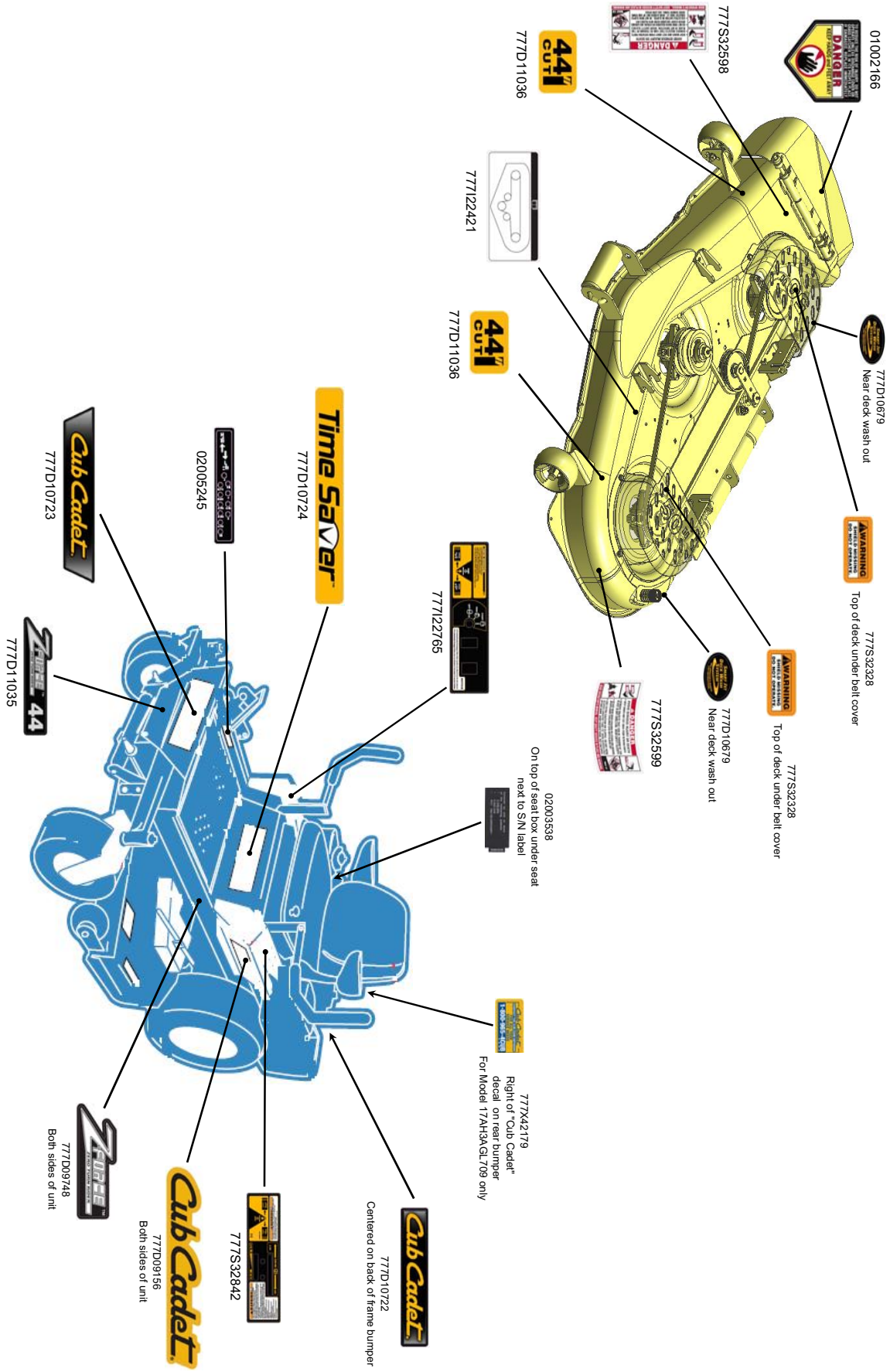
Lift Assembly - Figure 17 and Parts List



GD: 02004986-11/13/07

Ref. No.	Part No.	Description	Qty.	Ref. No.	Part No.	Description	Qty.
1	00008495	Capscrew, 3/8-16 x 1-3/4	1	19	02004227	Trail Link Pivot Rod	1
2	00011438	Hex Cap Screw, 3/8-16 x 1-1/2	3	20	02002879	Front Lift Rod	1
3	00013416	Hex Cap Screw, 1/4-20 x 1.00	1	21	02002880	Foot Pedal Assembly	1
4	00022560	Nut, 3/8-16, Hex Flange Lock	14	22	02002882	Foot Lift Torsion Spring	1
5	00035632	Jam Nut, 5/8-11	4	23	02002890	Lower Lift Bracket Assembly	3
6	00083192	Idler Washer	1	24	02002893	Lift Link	2
7	01002766	Nut, 1/4-20, Hex Flange Lock Nut	1	25	02002907	Clevis Pin, .375 x 1.89 x 2.125	1
8	01003468	Spacer, .375 x .50 x .75 Lg	3	26	02002915	Front Shaft Assembly	1
9	01003536	Shoulder Screw, 0.625 OD x .830 Lg.	4	27	02002916	Rear Shaft Assembly	1
10	01007312	Spacer, .625 OD x .385 ID x 1/2	1	28	02002979	Link Plate	1
11	01008658	Jam Nut, 1/2-20	6	29	02003436	Spacer, .380 ID x .500 OD x .605	1
12	02000393	Shoulder Screw, 3/8-16, .56 x .27	4	30	02003685	Hex Flange Bearing, .875 ID	4
13	02000671	Lock Washer, 5/8	2	31	02003716	E Clip, .875 Dia.	3
14	02001891	Washer, 1.00 OD x .625 ID x .048	4	32	02003717	Sockethead Capscrew, 3/8-16 x 1.50	2
15	02002374	Foot Lift Pivot Assembly	1	33	02003720	Flat Washer, .94 x 1.75 x .11	3
16	02002382	Deck Lift Bracket	3	34	02000673	Hair Pin	4
17	02004694	Index Plate	1	35	02005334	Spacer, .628 ID x .875 OD x .500	4
18	02003751	Spacer, .635 ID x 1.188 OD x .406	4	36	00021956	Hair Pin	1

44" Decal Map



01002166



777D10679

Near deck wash out



Top of deck under belt cover

777S32328



Top of deck under belt cover

777D10679

Near deck wash out

777S32599



777S32598



777D11036



777I22421



777D11036



777D10724



02005245



777D10723



777D11035



02003538

On top of seat box under seat next to SNI label



777X42179

Right of "Cub Cadet" decal on rear bumper For Model 17AH3AQL709 only



Centered on back of frame bumper

777D10722



777S32842



777D09156

Both sides of unit



777D09748

Both sides of unit





Cub Cadet LLC
P.O. Box 361131
Cleveland, OH 44136