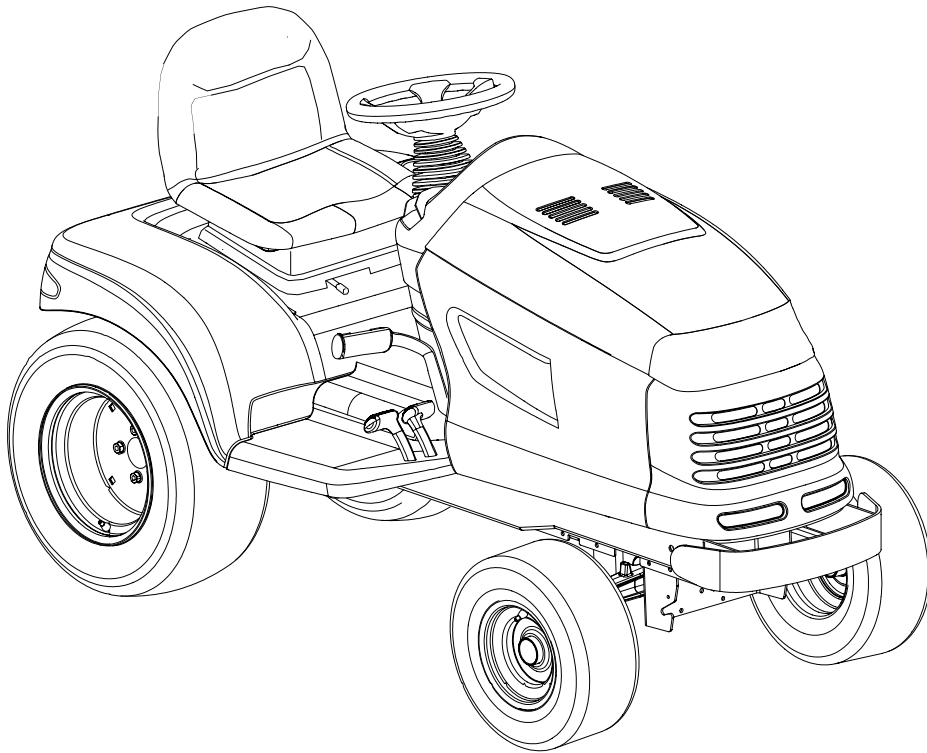


Cub Cadet

Parts Manual



SERIES 3000

TRACTOR

Model GT 3200

CUB CADET LLC P.O. BOX 361131 CLEVELAND, OHIO 44136-0019 [www.cubcadet.com]

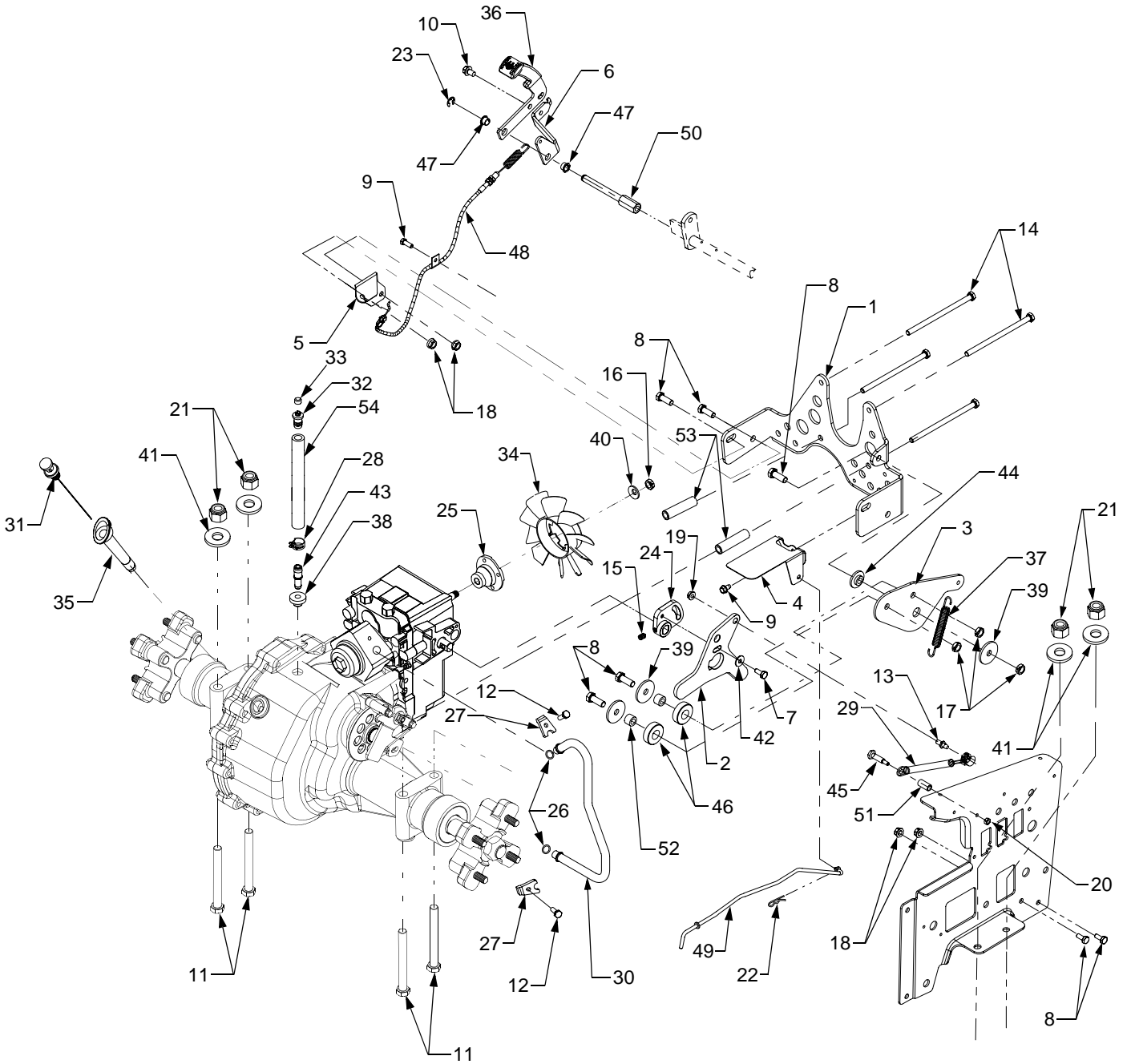
PRINTED IN U.S.A.

FORM NO. 769-01498
(11/04)

TABLE OF CONTENTS

DESCRIPTION	PAGE	DESCRIPTION	PAGE
Axle, Front	14	Fender and Running Board	32
Baffles, Air	16	Frame	33
Battery	28	Fuel Tank	34
Brake Assembly	8	Grille	30
Brake Pedal and Linkage	4	Hood	30
Controls		Hydrostatic Transmission	10
Drive Pedals and Linkage	4	Hydraulic Lines	12
Engine Control Cables	16	Hydraulics, Auxiliary	36
Cable Handles	27	Lift Linkage	15
Hydraulic Lift	12	Lift Valve	12
Dash Panel	27	Muffler	16
Driveshaft	16	Pedestal	28
Electrical		PTO, Front	3
Harness, Wire	16	Seat	29
Interlock Switches	16	Side Panels	30
Switches, Dash Panel	27	Steering	
Engine Mounting	16	Lower Steering	13
Engine		Pump, Hydraulic Steering	13
Air Cleaner	26	Steering Wheel	27
Blower Housing	21	Upper Steering	28
Breather	20	Transmission	
Carburetor	24	Neutral Linkage	6
Control Bracket	25	Oil Filter	8
Crankshaft	18	Transmission Mounting	6
Cylinder Assembly	18	Transmission Differential	8
Cylinder Heads	20	Wheels	35
Electrical	22		
Flywheel	22		
Fuel Pump	20		
Oil Filter	19		
Oil Pump	19		
Pistons	18		
Starter	23		
Valves	20		

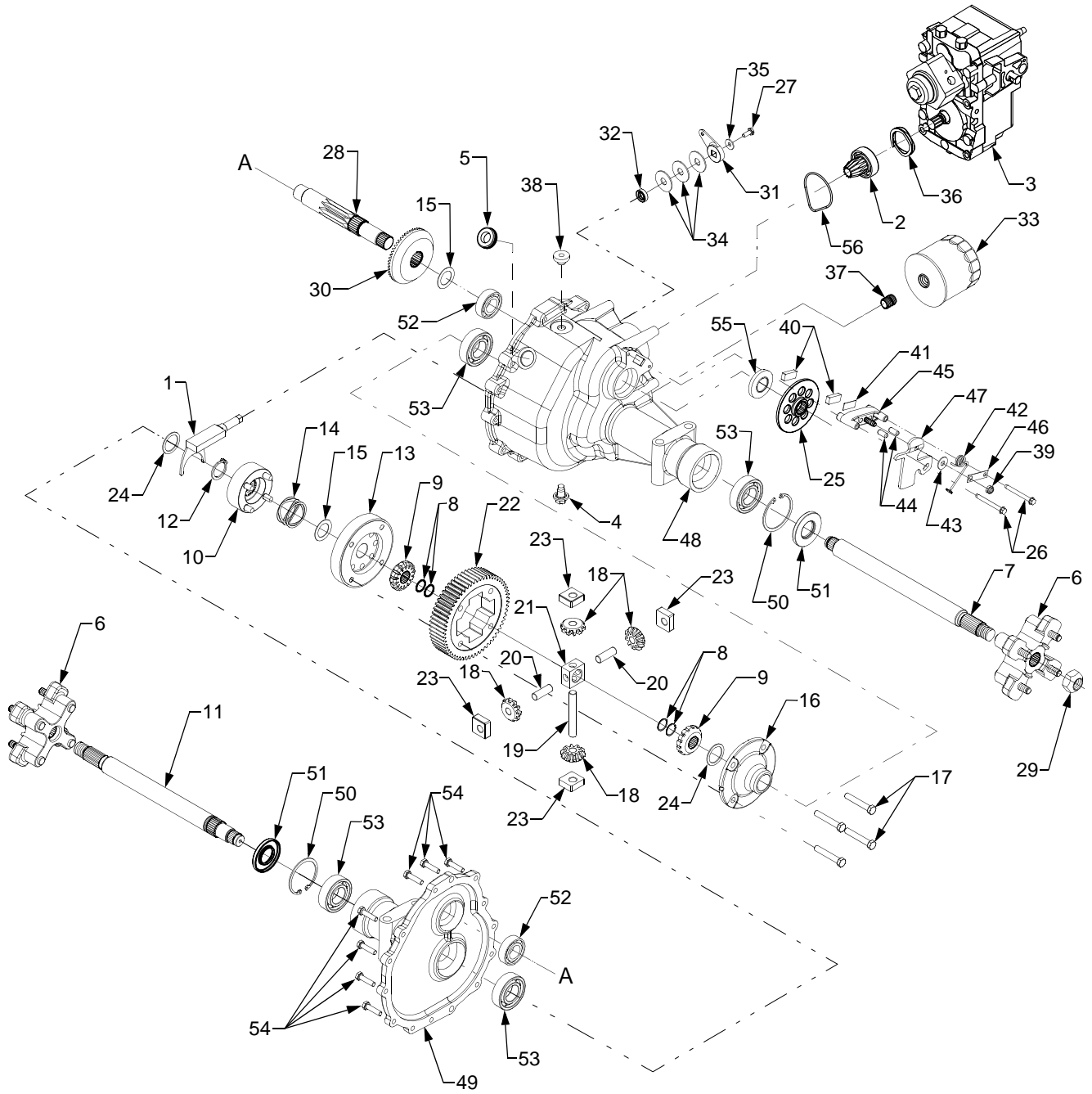
TRANSMISSION MOUNTING AND NEUTRAL LINKAGE



TRANSMISSION MOUNTING AND NEUTRAL LINKAGE

REF. NO.	PART NUMBER	CODE	DESCRIPTION	QTY.	REF. NO.	PART NUMBER	CODE	DESCRIPTION	QTY.
1	603-0698		Bracket, Torque	1	28	726-0324		Clamp, Hose	1
2	703-3478		Plate, Hydro Neutral Return ...	1	29	727-3090		Cylinder, Damper	1
3	703-3477		Link, Neutral Return Bearing ..	1	30	727-3139		Tube, Hydro Pickup	1
4	703-3187A		Spring Plate, Hydro Bypass	1	31	727-3148		Dipstick, Transmission	1
5	703-3175		Bracket, Cable Retainer	1	32	731-1480		Plastic Vent	1
6	703-3183		Bracket, Pedal Brace	1	33	731-1481		Vent Cap	1
7	710-0433		Screw, Hex Cap,	1	34	731-3297		Fan, Pump	1
			1/4-20 x .625 GR5 Lock		35	731-3245		Holder, Dipstick	1
8	710-0514		Screw, Hex Cap,	7	36	731-3250		Pedal, Diff Lock	1
			3/8-16 x 1.0 GR5		37	732-0429A		Spring, Extension	1
9	710-0599		Screw, Hex Wash. Hd. Tapp, .	2	38	735-0279		Grommet	1
			1/4-20 x .5		39	736-0227		Washer, Flat,	3
10	710-0623		Screw, Hex Wash. Hd. Tapp, .	1				.390 x 1.5 x .1	
			3/8-16 x .75		40	736-0253		Washer, Bell, .5 x 1.0 x .05	1
11	710-0465		Screw, Hex Cap,	4	41	736-3019		Washer, Flat,	4
			1/2-20 x 4.5 GR5					.531 x 1.062 x .134	
12	710-3015		Screw, Hex Cap,	2	42	736-3090		Washer, Flat, .26 x .72 x .06 ..	1
			1/4-20 x .75 GR5		43	737-3092		Fitting, Tube	1
13	710-3170		Ball Screw, 5/16-18 x .56	1	44	738-0347		Spacer, Shoulder	1
14	710-1506		Screw, Hex Wash. Hd. Tapp ..	4	45	738-0572		Shoulder Bolt	1
			5/16-18 x 5.5 GR5		46	741-0155		Bearing, Ball	2
15	710-3242		Screw, Set, 5/16 x .5	1	47	741-0491		Bearing, Nylon Flange	2
16	712-3059		Nut, Hex Top Lock Jam, 1/2-20	1	48	746-3081		Cable, Diff Lock	1
17	712-0266		Nut, Hex Ctr. Lock Jam, 3/8-16	3	49	747-3424		Rod, Pump Bypass	1
18	712-0431		Nut, Hex Flange Lock, 3/8-16 .	4	50	747-3366		Shaft, Diff Lock	1
19	712-3004A		Nut, Hex Flange Lock, 5/16-18	1	51	750-0434		Spacer,	1
20	712-3006		Nut, Hex, 1/4-20	1				.375 x .5 x 1.02	
21	712-3058		Nut, Hex Insert Lock, 1/2-20 ...	4	52	750-0497		Spacer,	2
22	714-0104		Pin, Internal Cotter	1				.375 x .624 x .445	
23	716-0104		E-Ring, .5 Dia. Shaft	1	53	750-3212		Spacer, Hydro,	2
24	718-3097		Arm, Hydro	1				.3223 x .60 x 2.44	
25	748-3093		Adapter, Pump	1	54	751-0588-8		Fuel Line	8 in.
26	721-0459		O-Ring,	2					
			.426 ID x .566 OD x .070						
27	726-0295		Clamp, Tube	2					

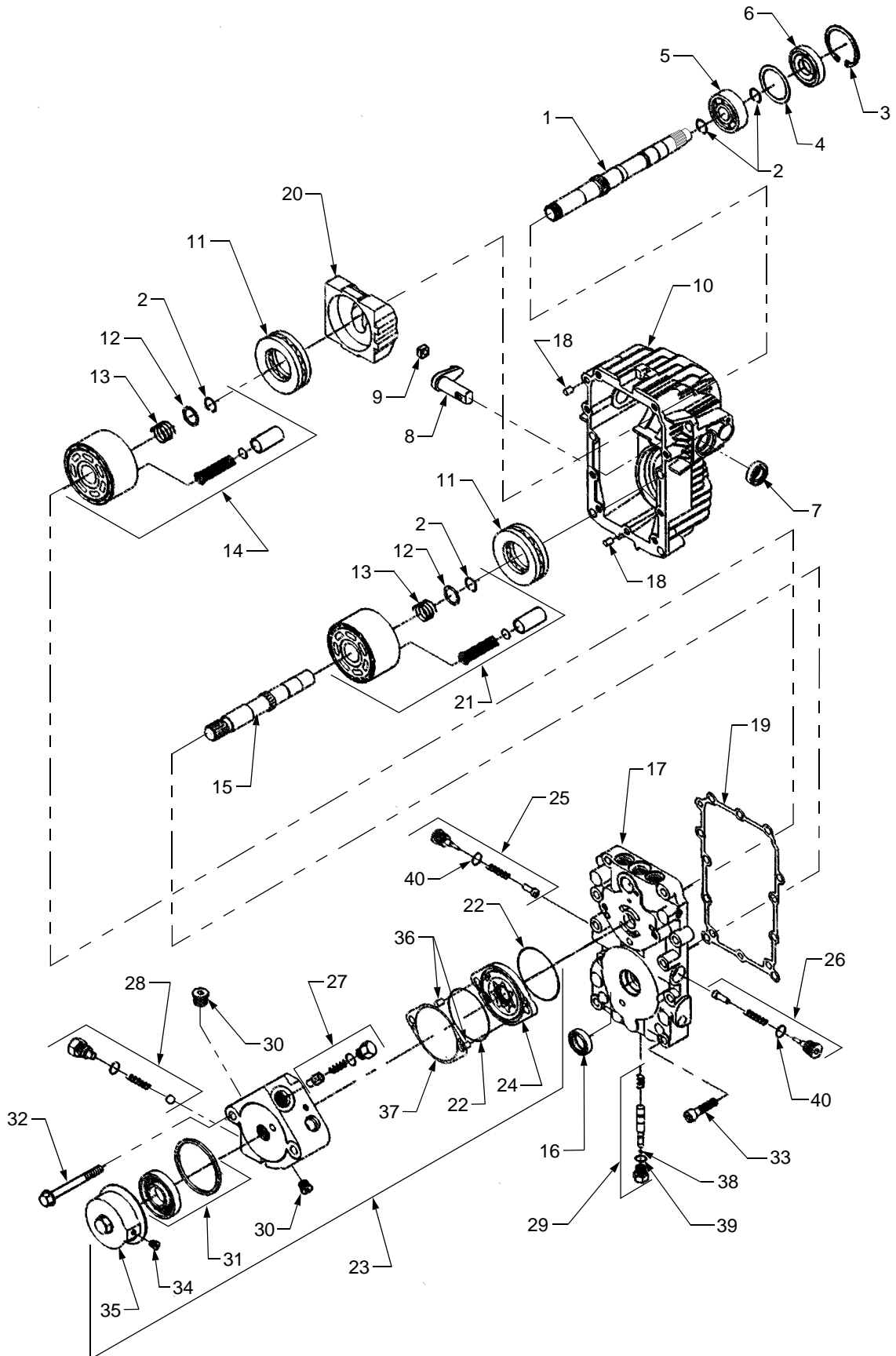
TRANSMISSION - DIFFERENTIAL



TRANSMISSION - DIFFERENTIAL

REF. NO.	PART NUMBER	DESCRIPTION	QTY	REF. NO.	PART NUMBER	DESCRIPTION	QTY
	618-3235	Transmission Assembly Complete - DOES NOT include Ref. Nos. 2, 3, 6, 29, 33, 36, 37 and 56.	1	28	711-1385A	Shaft, Output 9T	1
				29	712-0682	Nut, Lock, 7/8-14	2
				30	717-3449	Gear, Bevel 54T	1
1	611-3024	Shaft, Differential Actuator	1	31	718-3089	Arm, Diff. Lock Actuator	1
2	617-3001	Gear Assembly, Pinion 13T	1	32	721-0393	Seal, Oil	1
	741-3037	Bearing, Ball	1	33	723-3014	Filter, Oil	1
3	618-3214	Hydrostatic Transmission Assy. NOTE: For components see separate parts beakdown.	1	34	750-04269	Spacer Washer, Flat, .51 x 1.5 x .07 ...	1
				35	736-0270	Washer, Belleville, .265 x .75 x .062 ...	1
				36	736-0619	Washer, Spring	1
4	710-1633	Plug, Drain, M14 x 1.5 x .827	1	37	737-3022	Fitting, Filter Nipple	1
5	735-0277A	Grommet, Rubber	1	38	735-0279	Grommet	1
6	618-3210A	Hub Assembly, Wheel	2	39	712-0273	Nut, Hex Insert Lock, 5/16-24	1
7	711-1308	Axle Shaft, 15.08 Long - RH	1	40	717-0678	Pad, Brake	2
8	716-0172	Retaining Ring	4	41	717-0682	Plate, Puck	1
9	717-1119	Gear, Spur, 14T	2	42	732-0925	Spring, Torsion	1
10	618-3155A	Collar Assembly, Diff. Lock	1	43	736-0371	Washer, Flat, .343 x .88 x .062	1
11	711-1309	Axle Shaft, 15.08 Long - LH	1	44	741-0343	Pin, Brake Actuator	2
12	716-3018	Retaining Ring	1	45	761-0207A	Yoke, Brake	1
13	718-3099B	Housing, Diff. Lock	1	46	761-0208	Bracket, Brake Anti-Rotation	1
14	732-0856	Spring, Cmpression	1	47	761-3074	Arm, Brake Actuator	1
15	736-0615	Washer, Thrust, 1.007 x 1.542 x .03 ...	2	48	619-3066A	Housing, RH	1
16	619-3086	Housing, Diff. Cover	1	49	619-3067	Housing LH	1
17	710-1254	Hex Cap Screw, 3/8-24 x 2.25 GR8	4	50	716-0180	Retaining Ring	2
18	717-1120	Gear, Differential 10T	4	51	721-3020A	Seal, Oil	2
19	717-1173	Shaft, Cross, .5 x 3.485	1	52	741-3114	Bearing, Ball	2
20	717-1178	Shaft, Cross, Special	2	53	741-3033A	Bearing, Ball	4
21	717-1180	Differential Pinion Block	1	54	710-0573	Screw, Hex Cap Locking	14
22	717-3466	Gear, Spur 60T	1			5/16-18 x 1.25 GR5	
23	718-3101	Block, Thrust Miter	4	55	721-0523	Seal, Oil 1.0 ID	1
24	736-0558	Washer, Flat, 1.187 x 1.56 x .062	2	56	721-0519	Seal, Gland O-Ring	1
25	761-0215	Disc, Brake	1				
26	710-1206	Screw, Hex Wash. Hd. Tapp	2		759-3958	Sealant, Loctite Black, 5.3 oz. Tube	1
		1/4-20 x 2.375			737-3120	Drive System Fluid Plus - Quart	5.5
27	710-0751	Hex Cap Screw, 1/4-20 x .62 GR5	1		737-3121	Drive System Fluid Plus - Gallon	AR

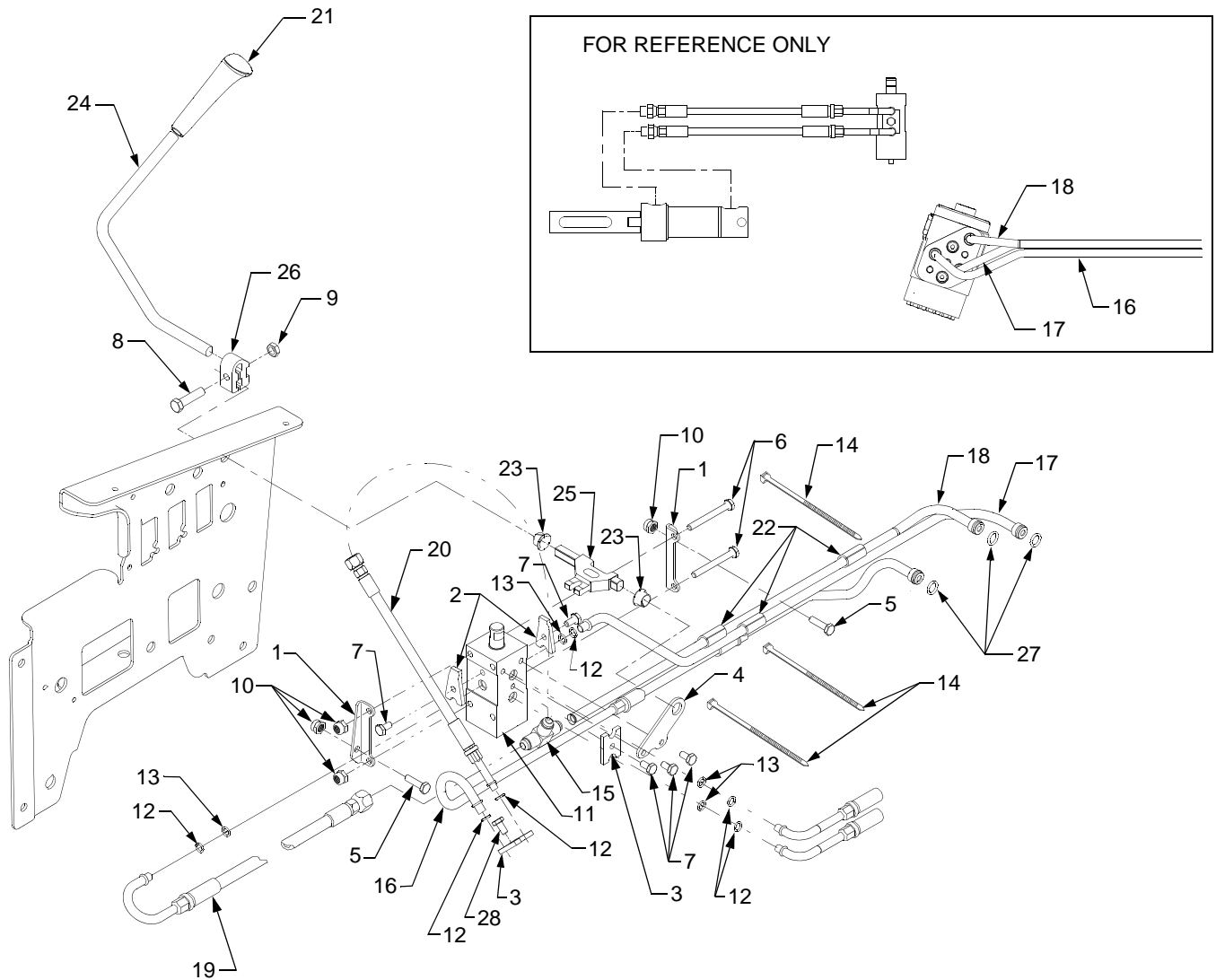
HYDROSTATIC TRANSMISSION



HYDROSTATIC TRANSMISSION

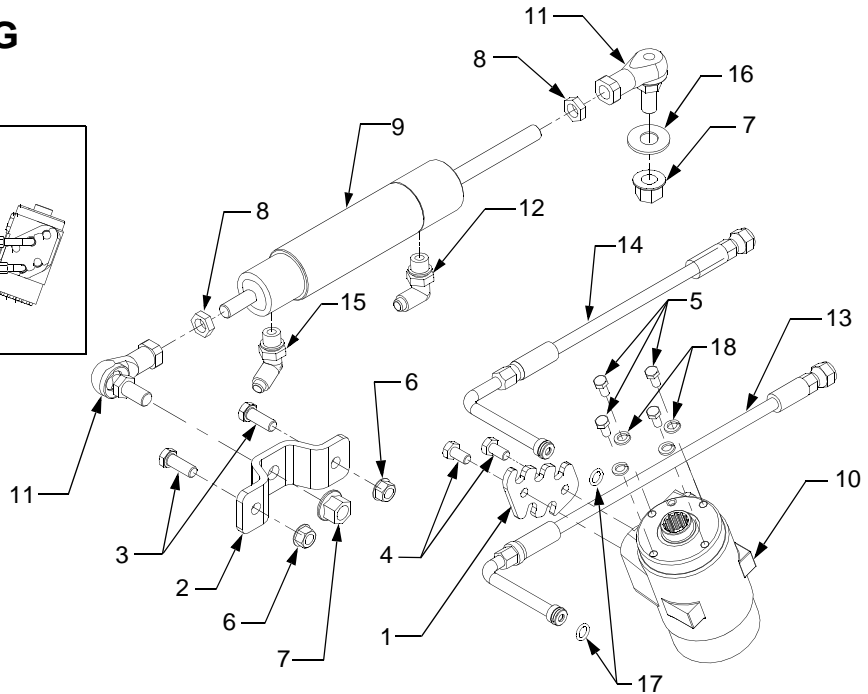
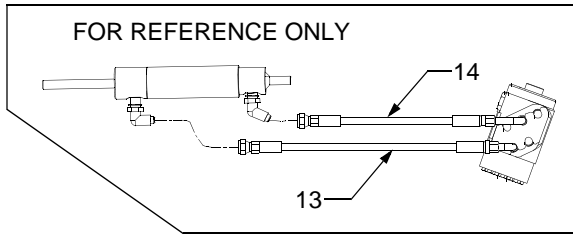
REF. NO.	PART NUMBER	DESCRIPTION	QTY.
1	HG-51206	Shaft, Pump	1
2	HG-2000022	Ring, Wire Retaining	4
3	HG-2000038	Ring, Retaining	1
4	HG-2000023	Spacer	1
5	HG-2000032	Bearing, Ball	1
6	HG-2000036	Seal, Lip	1
7	HG-2000037	Seal, Lip	1
8	HG-2000014	Arm, Trunnion	1
9	HG-2000015	Guide, Slot	1
10	HG-2510097	Housing Assembly	1
11	HG-50552	Bearing Assembly, Thrust Ball	2
12	HG-2000024	Washer, Block Thrust	2
13	HG-2000025	Spring, Block	2
14	HG-2510014	Kit, Pump Cylinder Block	1
15	HG-2000007	Shaft, Motor	1
16	N/A	Not Used In This Application	
17	HG-2510098	Kit, Center Section	1
18	HG-50641	Pin	2
19	HG-2000061	Gasket, Center Section	1
20	HG-50203	Swashplate, Variable	1
21	HG-2510013	Kit, Motor Cylinder Block	1
22	HG-9004100-1430	O-Ring	2
23	HG-2510083	Kit, Auxiliary Charge Pump	1
24	HG-50761	Gerotor & Housing Assembly	1
25	HG-2510050	Kit, Check Valve	1
26	HG-2510034	Kit, Check Valve w/ .044 Orifice	1
27	HG-2510081	Kit, Check Relief	1
28	HG-2510082	Kit, Auxiliary Relief Valve	1
29	HG-2510012	Kit, Bypass Valve	1
30	HG-9005110-4400	Plug, 7/16-20	2
31	HG-2510090	Kit, Auxiliary Filter	1
32	HG-50969	Screw, Flange Head Cap, M8 x 60 ..	2
33	HG-9007314-0808	Screw, Socket Head Cap	8
34	HG-9005110-3100	Plug, 5/16-24	1
35	HG-50994	Cover, Filter	1
36	HG-50408	Pin	2
37	HG-2000044	Shim, Charge Pump	1
38	N/A	O-Ring-Order Seal Kit HG-2510010	
39	N/A	O-Ring-Order Seal Kit HG-2510010	
40	N/A	O-Ring-Order Seal Kit HG-2510010	
	HG-2510010	Kit, Overhaul Seal (Includes Ref. Nos. 2, 3, 4, 6, 7, 19, 22, 38, 39 & 40)	1

HYDRAULIC VALVE AND LINES



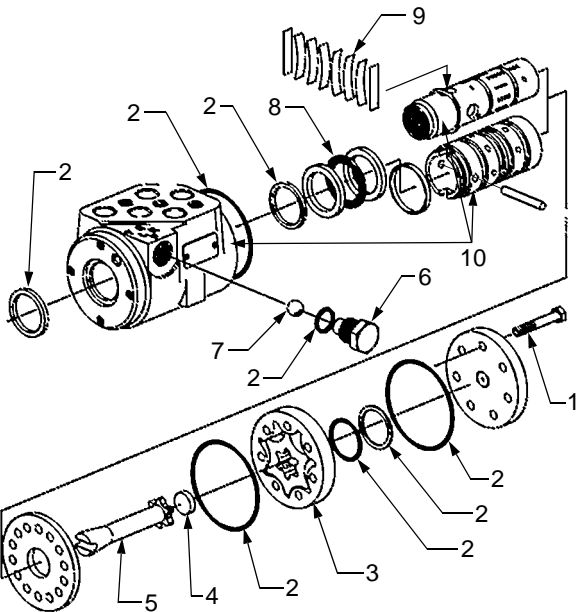
REF. NO.	PART NUMBER	CODE	DESCRIPTION	QTY.	REF. NO.	PART NUMBER	CODE	DESCRIPTION	QTY.
1	703-1801		Bracket, Valve Mounting	2	14	726-0197		Cable Tie	3
2	703-1802		Clamp, Side Valve	2	15	727-3056		T-Fitting, 9/16-18 Thrd.	1
3	703-1803		Clamp, Double Valve	2	16	727-3130		Tube, Hydraulic (Pump to Strng)	1
4	703-3154		Bracket, Lift Valve	1	17	727-3131		Tube, Hydraulic (Aux. from Strng)	1
5	710-0597		Screw, Hex Cap	2	18	727-3162		Tube, Hydraulic (Strng Return) ..	1
			1/4-20 x 1.0 GR5		19	727-3160		Tube, Hydraulic (Aux Return)	1
6	710-0641		Screw, Hex Cap	2	20	727-3161		Tube, Hydraulic (Return to Pump)	1
			1/4-20 x 2.25 GR5		21	731-3259		Knob, Lift	1
7	710-3013		Screw, Hex Cap	5	22	735-3007		Rubber Spacer	3
			1/4-20 x .50 GR5		23	741-0491		Bearing, Nylon Flange	2
8	710-3083		Screw, Hex Cap	1	24	747-3349A		Handle, Center Lift Valve	1
			5/16-18 x 1.375 GR5		25	748-3081A		Link, Lift	1
9	712-0429		Nut, Hex Insert Lock, 5/16-18	1	26	748-3082		Clamp, Handle	1
10	712-3027		Nut, Hex Flange Lock, 1/4-20	4	27	721-0493		O-Ring, .426 x .566 x .070	3
11	717-3452		Valve, Hydraulic	1	28	710-0751		Screw, Hex Cap	1
12	721-0492		O-Ring, Backup	4				1/4-20 x .62 GR5	
13	721-3021		O-Ring	6					

LOWER POWER STEERING



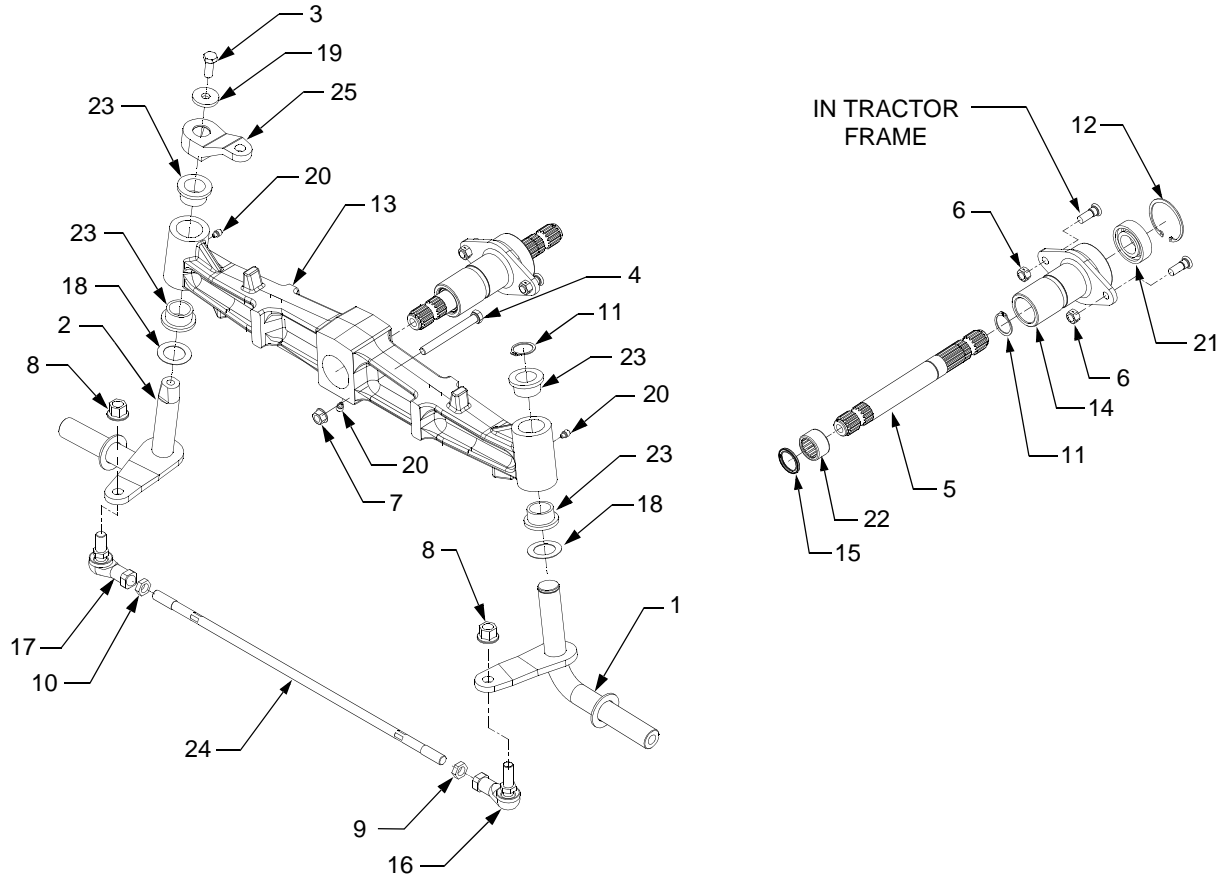
REF. NO.	PART NUMBER	CODE	DESCRIPTION	QTY.	REF. NO.	PART NUMBER	CODE	DESCRIPTION	QTY.
1	703-3015	0716	Plate, Steering Pump Port	1	9	717-3424		Cylinder, Steering	1
2	703-3189	0716	Bracket, Cylinder Mounting	1	10	717-3442		Pump, Hydraulic Steering	1
3	710-0514		Screw, Hex Cap	2	11	723-0462		Ball Joint, 12MM x 1.75 RH	2
			3/8-16 x 1.0 GR5		12	727-3012		Fitting, 90 Degree Elbow	1
4	710-3138		Screw, Hex Cap	2	13	727-3126		Hose, Front Steering	1
			M8-1.25 x 16MM GR5		14	727-3127		Hose, Rear Steering	1
5	710-3140		Screw, Hex Cap, M6 x 14MM	4	15	727-3159		Fitting, 45 Degree	1
6	712-0431		Nut, Hex Flange Lock, 3/8-16	2	16	736-3084		Washer, Flat, .51 x 1.12 x .060 ..	1
7	712-3103		Nut, Hex Flange Lock, M12 x 1.75	2	17	721-0493		O-Ring, .426 x .566 x .070	2
8	712-3104		Nut, Hex, M12 x 1.75 RH	2	18	736-0329		Washer, Lock, 1/4"	4

HYDRAULIC STEERING PUMP



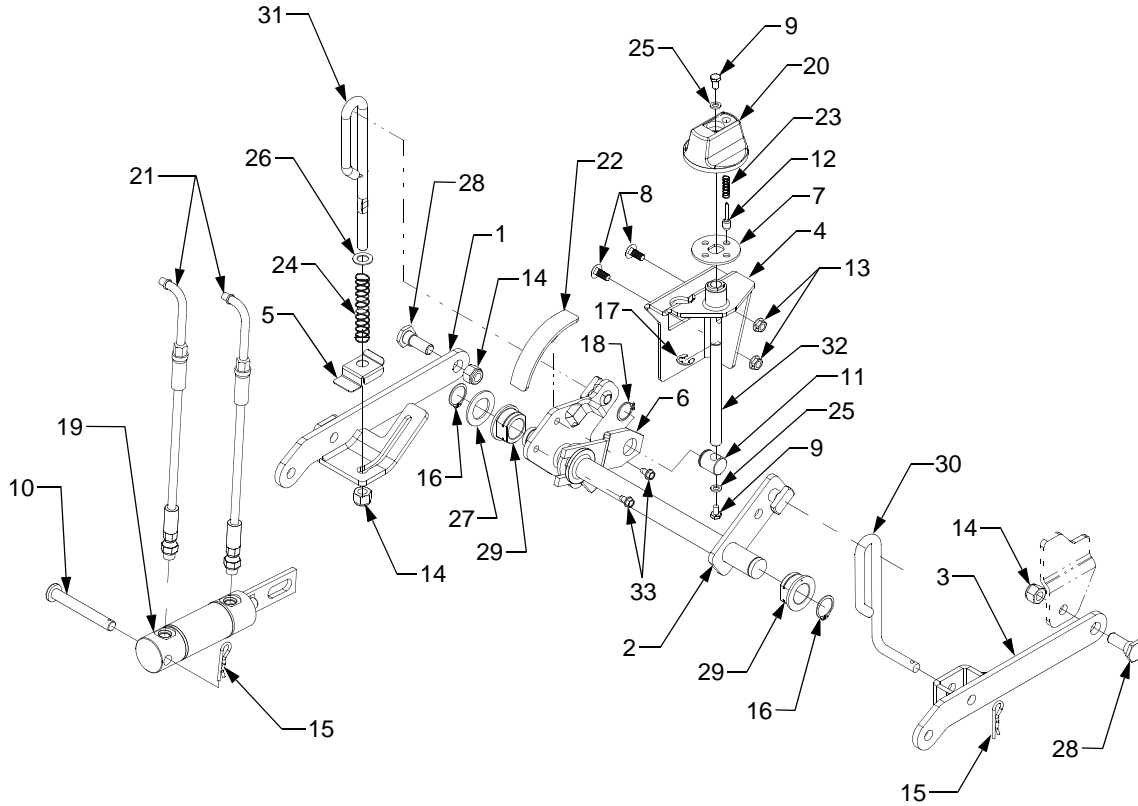
REF. NO.	PART NUMBER	DESCRIPTION	QTY.
1	ET-14543-002	Screw, Hex Cap, 1.57" Lg.	1
2	ET-64455-000	Seal Kit	1
		(Includes All Parts Marked Ref. 2	
3	ET-22991-003	Gerotor Assembly	1
4	ET-22919-005	Spacer, .240 Lg.	1
5	ET-22918-000	Drive	1
6	ET-9199-000	Plug, Manual Check	1
7	ET-285020-140	Ball, Manual Check	1
8	ET-64457-000	Bearing Kit	1
9	ET-64456-000	Spring Kit, Centering	1
10	N/A	Spool, Sleeve and Housing — Not Available as Replacement Parts. Order Complete Steering Pump	

FRONT AXLE



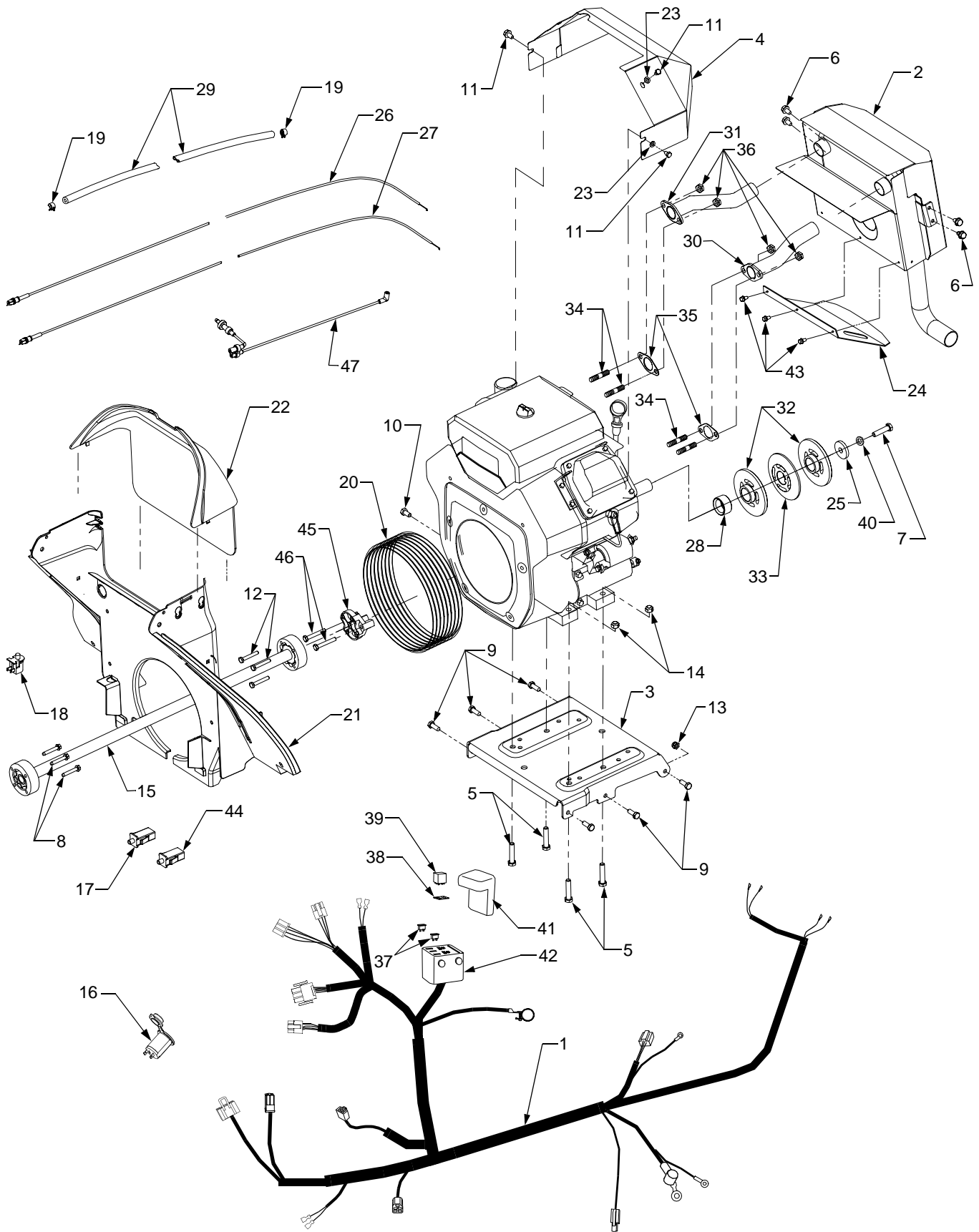
REF. NO.	PART NUMBER	CODE	DESCRIPTION	QTY.	REF. NO.	PART NUMBER	CODE	DESCRIPTION	QTY.
1	603-0426	0637	Axle, RH Steering	1	13	719-3119A		Pivot Axle	1
2	603-0427	0637	Axle, LH Steering	1	14	719-3120		Axle Carrier	1
3	710-1039		Screw, Hex Cap	1	15	721-0462		Seal, Grease, 1.31 x 1.0	1
			3/8-24 x 1.0 GR8		16	723-0462		Ball Joint, 12MM x 1.75 RH	1
4	710-3085		Screw, Hex Cap	1	17	723-0463		Ball Joint, 12MM x 1.75 LH	1
			3/8-16 x 3.5 GR5		18	736-0163		Washer, Flat, 1.03 x 1.62 x .030	2
5	711-1141		Shaft, Splined	1	19	736-0247		Washer, Flat, .406 x 1.25	1
6	712-0355		Nut, Hex Center Lock, 3/8-24	2	20	737-3000		Fitting, Lube, 3/16 Drive	3
7	712-0431		Nut, Hex Flange Lock, 3/8-16	1	21	741-0131		Bearing, Ball	1
8	712-3103		Nut, Hex Flange Lock, M12 x 1.75	2	22	741-0363		Bearing, Needle	1
9	712-3104		Nut, Hex - RH, M12 x 1.75	1	23	741-0558		Bearing, Flange	4
10	712-3105		Nut, Hex - LH, M12 x 1.75	1	24	747-3348A		Tie Rod, M12 x1.75 RH & LH	1
11	716-0102		Snap Ring, 1.0 Dia. Shaft	2	25	748-3074		Steering Arm	1
12	716-0188		Retaining Ring, Internal, 2.0	1					

CENTER HYDRAULIC LIFT LINKAGE



REF. NO.	PART NUMBER	CODE	DESCRIPTION	QTY.	REF. NO.	PART NUMBER	CODE	DESCRIPTION	QTY.
1	603-0434	0716	Link, LH Lift	1	19	717-3518		Cylinder, Center Lift	1
2	603-0435A		Shaft Assembly, Lift	1	20	720-0236		Knob	1
3	603-0456	0716	Link, RH Lift	1		777120243		Graphic, Height Adjust	1
4	603-0803		Bracket, Downstop	1	21	727-3135		Hose, Lift	2
5	703-3426		Stop Bracket, Lift Rod	1		725-0157		Tie, Cable	1
6	703-3797		Arm, Downstop	1	22	731-3215B		Indicator, Lift Position	1
7	748-3103		Disk, Detent	1	23	732-0437		Spring, Compression	1
8	710-3178		Bolt, Carriage, 3/8-16 x .75	2	24	732-0870A		Spring, Compression	1
9	710-3013		Screw, Hex Cap, 1/4-20 x .5 GR5	2	25	736-0142		Washer, Flat, .281 x .5 x .063 ...	2
10	711-1206		Pin, Clevis, .5 x 3.75	1	26	736-0160		Washer, Flat, .536 x .93 x .050 .	1
11	711-1553		Ferrule, Adjustment	1	27	736-0250		Washer, Flat, 1.0 x 1.7 x .10	1
12	711-1561		Pin, Detent Plunger	1	28	738-0744A		Shoulder Screw	2
13	712-0431		Nut, Flange Lock, 3/8-16 GR5 ...	2	29	741-0170		Bearing, Flange w/Flats	2
14	712-3083		Nut, Hex Lock, 1/2-13	3	30	747-3330		Rod, RH Lift	1
15	714-0147		Pin, Internal Cotter	2	31	747-3331A		Rod, LH Lift	1
16	716-0102		Snap Ring, 1.0 Dia. Shaft	2	32	747-3437		Screw, Adjustment	1
17	716-0104		Ring, 'E' Retaining, .5 Dia.	1	33	710-0599		Screw, Hex Wash. Hd. Tapp	2
18	716-0111		Snap Ring, .875 Dia. Shaft	1				1/4-20 x .5	

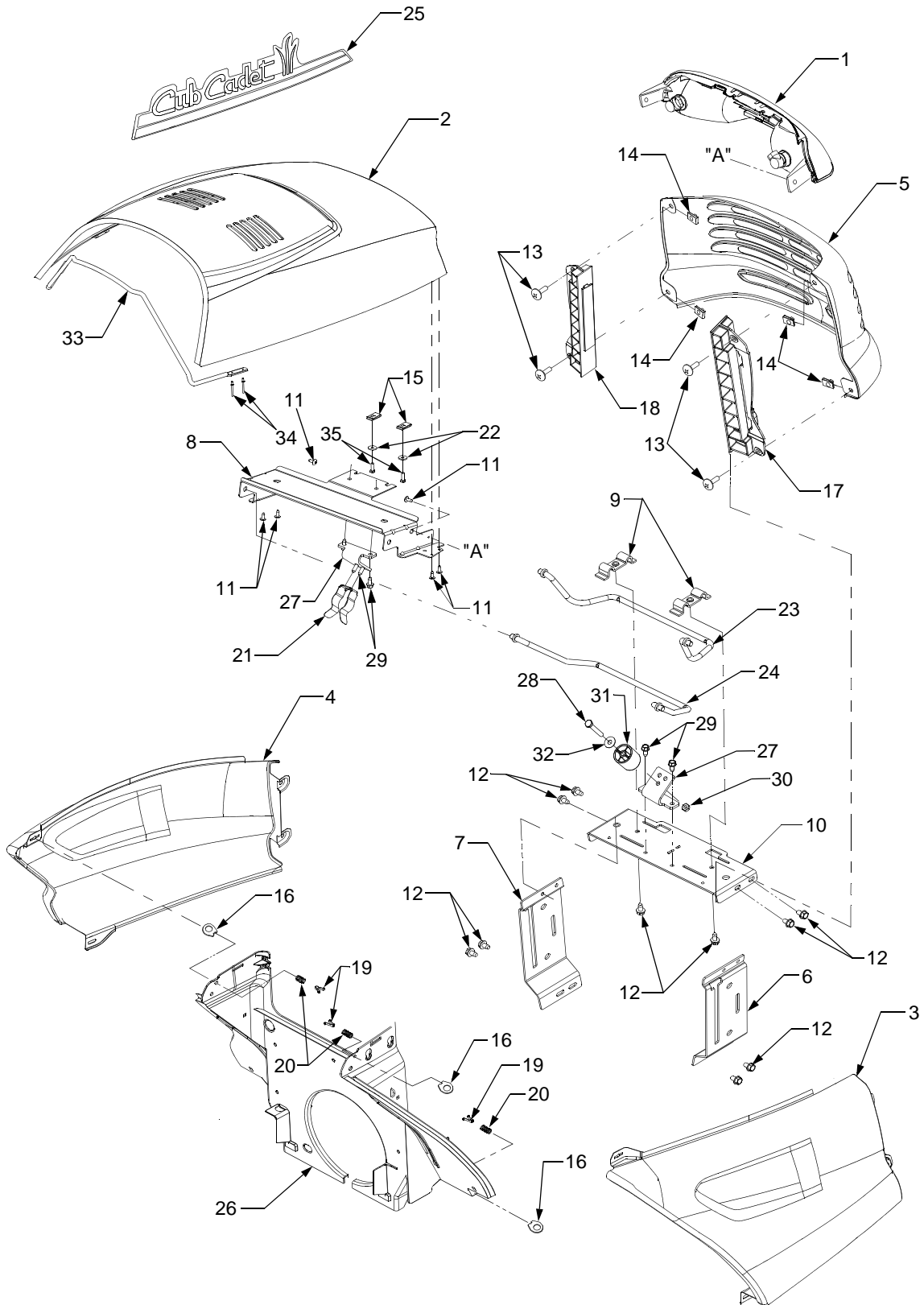
DRIVESHAFT AND ENGINE CONNECTIONS



DRIVESHAFT AND ENGINE CONNECTIONS

REF. NO.	PART NUMBER	CODE	DESCRIPTION	QTY.
1	629-04107		Harness, Wire	1
	726-0154		Tie, Pushmount	4
	726-3055		Clip, Cable	2
2	651-3003		Muffler Assembly	1
3	703-2909	0716	Plate, Engine Mounting	1
4	703-2999		Shield, Muffler Heat	1
5	710-0539		Screw, Hex Cap,	4
			3/8-24 x 1.75 GR5	
6	710-0607		Screw, Hex Wash. Hd. Tapp	4
			5/16-18 x .5	
7	710-0757		Screw, Hex Cap,	1
			7/16-20 x 1.5 GR5	
8	710-1062		Screw, Hex Cap Lock.....	4
			1/4-20 x 1.25 GR5	
9	710-3038		Screw, Hex Cap,	6
			5/16-18 x .875 GR5	
10	710-0237		Screw, Hex Cap,	1
			5/16 - 24 x .625 GR5	
11	710-3209		Screw, Hex Cap,	4
			M6 - 1.0 x 10MM	
12	710-3288		Screw, Hex Cap, Lock	4
			1/4-20 x 1.62 GR5	
13	712-0429		Nut, Hex Insert Lock, 5/16-18	6
14	712-3054		Nut, Hex Lock, 3/8-24	4
15	718-3093		Shaft, Drive, 27.125 Long	1
16	725-2003		Receptacle, 12V Power	1
17	725-3164A		Switch, Plunger (Reverse).....	1
18	725-04040		Switch, Snap Mount (Seat).....	1
19	726-0205		Clamp, Hose	2
20	731-3166		Boot, Intake	1
21	731-3221A		Baffle, Lower Air	1
22	731-3231A		Baffle, Upper Air	1
23	736-0142		Washer, Flat, .281 x .50 x .06	4
24	703-3398		Shield, Lower Exhaust	1
25	736-3017		Washer, Flat, .417 x 1.5 x .225	1
26	746-3075		Cable, Throttle Control	1
27	746-3077		Cable, Choke Control	1
28	750-3357		Spacer, Crankshaft	1
29	751-0535-60		Hose, Fuel Line	60in.
30	751-3154		Pipe, Exhaust RH	1
31	751-3155		Pipe, Exhaust LH	1
32	756-3091A		Pulley Half	2
33	756-3099		Pulley, Center	1
34	KH-25-072-04		Stud, M8 - 1.25 x 33MM	4
35	KH-24-041-49-S		Gasket, Exhaust	2
36	712-3086		Nut, Hex, M8 x 1.25	4
37	725-3243		Fuse, 25 Amp	2
38	721-0342		Gasket, Silicone	1
39	725-1648		Relay	1
40	736-0171		Washer, Lock, 7/16	1
41	759-3868		Cover, Fuse Box	1
42	759-3869		Box, Fuse	1
43	710-3007		Screw, Hex Wash. Hd. Tapp, #12-24 x .38	3
44	725-3191A		Switch, Plunger (Brake).....	1
45	719-3096		Adapter, Drive Shaft	1
46	KH-24-086-16		Screw, Hex Flange, M10 x 1.5 x 90	2
47	751-3199		Hose, Vacuum	1

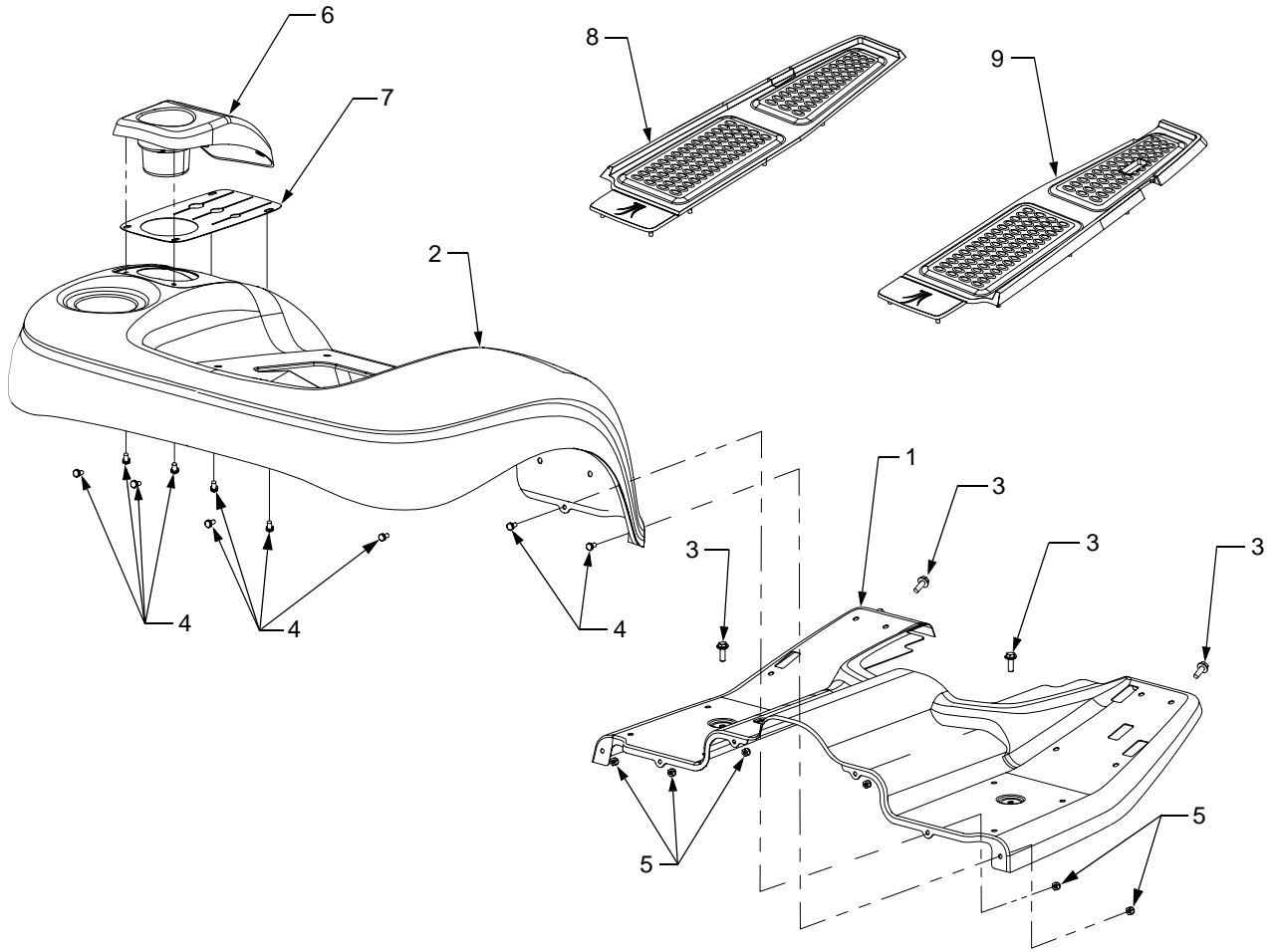
HOOD, GRILLE AND SIDE PANELS



HOOD, GRILLE AND SIDE PANELS

REF. NO.	PART NUMBER	CODE	DESCRIPTION	QTY.
1	625-04001A		Headlight Assembly	1
	725-0963		Bulb, Headlight	2
	725-1649		Socket Assembly, Headlight	2
2	703-05000A	0499	Hood	1
3	703-2946	0499	Side Panel, RH	1
	777D08867		Graphic, GT 3200	1
	777X41482		Graphic, Lift Hood	1
4	703-2947	0499	Side Panel, LH	1
	777D08867		Graphic, GT 3200	1
	777X41482		Graphic, Lift Hood	1
5	703-2950	0499	Grille, Series 3000	
	777120314		Graphic, Warning	1
6	703-2984	0716	Support, Grille - RH	1
7	703-2985	0716	Support, Grille - LH	1
8	703-3070B	0499	Bracket, Upper Hood	1
	777S30538		Graphic, Hot Surface	1
9	703-3071		Bracket, Rod Retainer	2
10	703-3101B	0716	Support, Hood	1
11	710-0351		Screw, Truss Hd, Tapp, #10-16 x .5	6
12	710-0607		Screw, Hex Wash. Hd. Tapp	10
13			5/16-18 x .5	
	710-0924		Screw, Phil. Pan Hd.	4
14			1/4-20 x .75	
	726-3054		Nut, U Type Speed, 1/4-20	4
15	726-0139		Nut, U-type Speed, #10	2
16	726-3056		Latch, 1/4 Turn	4
17	731-3227		Mount, Side Panel/Grille RH	1
18	731-3228		Mount, Side Panel/Grille LH	1
19	732-0936		Clip, Spring	4
20	732-0937		Spring, Compression	4
21	732-1178		Spring, Hood Latch	1
22	736-0400		Washer, Flat, .194 x .62 x .063	2
23	747-3478		Rod, Upper Hood	1
24	747-3338		Rod, Lower Hood	1
25	777D07681		Graphic, Hood - RH	1
	777D07682		Graphic, Hood - LH	1
26	731-3221A		Baffle, Lower Air	1
27	703-4088	0637	Bracket, Hood Latch Support	2
28	710-0136		Screw, Hex Cap, 1/4-20 x 1.75 GR5	1
29	710-1005		Screw, Hex Wash Hd Tapp,	6
			1/4-14 x .5	
30	712-3051		Nut, Hex Top Lock, 1/4-20	1
31	731-3232		Roller, Hood Latch	1
32	736-0342		Washer, Flat, .283 x .75 x .030	1
33	747-04085		Rod, Hood Support	1
34	728-0117		Rivet, Pop, .125 OD	4
35	710-0436		Screw, Hex Tapp, #10-16 x .625	2

FENDER AND RUNNING BOARD



REF. NO.	PART NUMBER	CODE	DESCRIPTION	QTY.
1	703-3622	0716	Running Board	1
	777S32517		Graphic, Danger Reverses Mow .	1
	777I22483		Graphic, Starting Instructions	1
	777I20859		Graphic, Height Adjustment	1
2	703-05571	0716	Fender	1
	777D07684		Graphic, 3000 Series	1
	777D08642		Graphic, Reflector LH	1
	777D08643		Graphic, Reflector RH	1
3	710-0602		Screw, Hex Wash. Hd. Tapp	4
			5/16-18 x 1.0	
4	710-3013		Screw, Hex Cap, 1/4-20 x .5 GR5	10
5	712-0324		Nut, Hex Lock, 1/4-20	6
6	731-3239		Cover, Lift Lever	1
7	731-3253		Flap, Lift Lever	1
8	735-0275		Pad, Floor LH	1
9	735-0276		Pad, Floor RH	1

