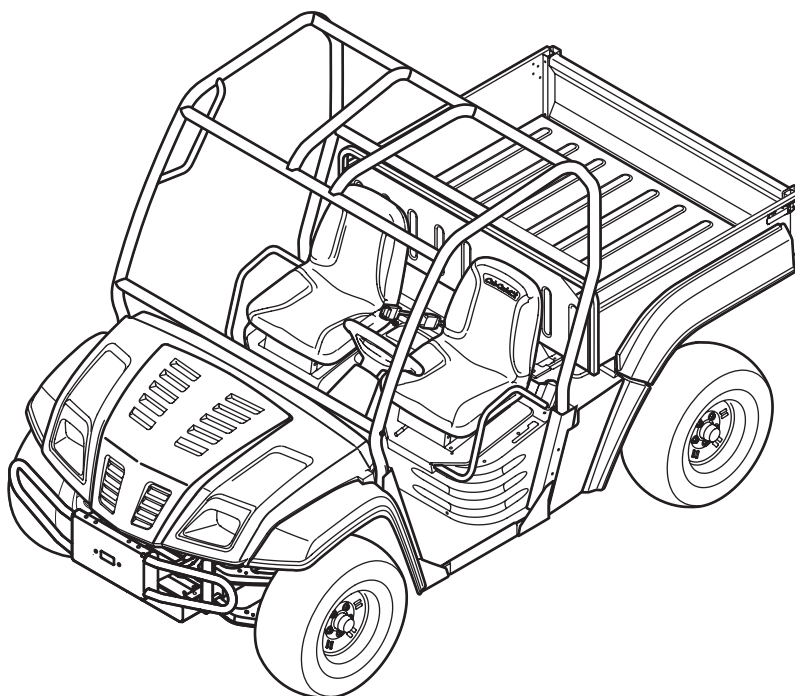


Cub Cadet.

OPERATOR'S MANUAL



4x4 Utility Vehicle — Model Series C460
4x2 Utility Vehicle — Model Series C470

⚠ WARNING

**READ AND FOLLOW ALL SAFETY RULES AND INSTRUCTIONS IN THIS MANUAL
BEFORE ATTEMPTING TO OPERATE THIS MACHINE.
FAILURE TO COMPLY WITH THESE INSTRUCTIONS MAY RESULT IN PERSONAL INJURY.**

CUB CADET LLC, P.O. BOX 361131 CLEVELAND, OHIO 44136-0019

Thank You

Thank you for purchasing a Utility Vehicle manufactured by Cub Cadet LLC. It was carefully engineered to provide excellent performance when properly operated and maintained.

Please read this entire manual prior to operating the equipment. It instructs you how to safely and easily set up, operate and maintain your machine. Please be sure that you, and any other persons who will operate the machine, carefully follow the recommended safety practices at all times. Failure to do so could result in personal injury or property damage.

All information in this manual is relative to the most recent product information available at the time of printing. Review this manual frequently to familiarize yourself with the machine, its features and operation. Please be aware that this Operator's Manual may cover a range of product specifications for various models. Characteristics and features discussed and/or illustrated in this manual may not be applicable to all models. Cub Cadet LLC reserves the right to change product specifications, designs and equipment without notice and without incurring obligation.

This product has met the rigid safety standards of the Outdoor Power Equipment Institute and an independent testing laboratory. If you have any problems or questions concerning the machine, phone your local Cub Cadet dealer or contact us directly. Cub Cadet's Customer Support telephone numbers, website address and mailing address can be found on this page. We want to ensure your complete satisfaction at all times.

Throughout this manual, all references to *right* and *left* side of the machine are observed from the operating position.

The engine manufacturer is responsible for all engine-related issues with regards to performance, power-rating, specifications, warranty and service. Please refer to the engine manufacturer's Owner's/Operator's Manual, packed separately with your machine, for more information.

Table of Contents

Safe Operation Practices	3	Maintenance Chart	18
Controls & Features	7	Accessories	19
Operation	10	Specifications	20
Maintenance & Adjustment	13	Troubleshooting	21
Service	16	Warranty	27-28

Record Product Information

Before setting up and operating your new equipment, please locate the model plate on the equipment and record the information in the provided area to the right. You can locate the model plate under the operator's seat. Flip the seat forward to view the model plate. This information will be necessary, should you seek technical support via our web site or with your local Cub Cadet dealer.

MODEL NUMBER

□	□	□	□	□	□	□	□	□	□	□
---	---	---	---	---	---	---	---	---	---	---

SERIAL NUMBER

□	□	□	□	□	□	□	□	□	□	□
---	---	---	---	---	---	---	---	---	---	---

Customer Support

If you have difficulty assembling this product or have any questions regarding the controls, operation, or maintenance of this machine, you can seek help from the experts. Choose from the options below:

- ◇ Visit us on the web at www.cubcadet.com
- ◇ Locate your nearest Cub Cadet Dealer at (877) 282-8684
- ◇ Write us at Cub Cadet LLC • P.O. Box 361131 • Cleveland, OH • 44136-0019



WARNING: This symbol points out important safety instructions which, if not followed, could endanger the personal safety and/or property of yourself and others. Read and follow all instructions in this manual before attempting to operate this machine. Failure to comply with these instructions may result in personal injury.

When you see this symbol. **HEED ITS WARNING!**

CALIFORNIA PROPOSITION 65



WARNING: Engine Exhaust, some of its constituents, and certain vehicle components contain or emit chemicals known to State of California to cause cancer and birth defects or other reproductive harm.



WARNING: Battery posts, terminals, and related accessories contain lead and lead compounds, chemicals known to the State of California to cause cancer and reproductive harm. *Wash hands after handling*



DANGER: This machine was built to be operated according to the rules for safe operation in this manual. As with any type of power equipment, carelessness or error on the part of the operator can result in serious injury. This machine is capable of amputating hands and feet and throwing objects. Failure to observe the following safety instructions could result in serious injury or death.

Operation

Safe Handling Of Gasoline:

1. To avoid personal injury or property damage use extreme care in handling gasoline. Gasoline is extremely flammable and the vapors are explosive. Serious personal injury can occur when gasoline is spilled on yourself or your clothes which can ignite. Wash your skin and change clothes immediately.
 - a. Use only an approved gasoline container.
 - b. Never fill containers inside a vehicle or on a truck or trailer bed with a plastic liner. Always place containers on the ground away from your vehicle before filling.
 - c. When practical, remove gas-powered equipment from the truck or trailer and refuel it on the ground. If this is not possible, then refuel such equipment on a trailer with a portable container, rather than from a gasoline dispenser nozzle.
 - d. Keep the nozzle in contact with the rim of the fuel tank or container opening at all times until fueling is complete. Do not use a nozzle lock-open device.
 - e. Extinguish all cigarettes, cigars, pipes and other sources of ignition.
 - f. Never fuel machine indoors.
 - g. Never remove gas cap or add fuel while the engine is hot or running. Allow engine to cool at least two minutes before refueling.
 - h. Never over fill fuel tank. Fill tank to no more than 1/2 inch below bottom of filler neck to allow space for fuel expansion.
 - i. Replace gasoline cap and tighten securely.
 - j. If gasoline is spilled, wipe it off the engine and equipment. Move unit to another area. Wait 5 minutes before starting the engine.
 - k. To reduce fire hazards, keep machine free of grass, leaves, or other debris build-up. Clean up oil or fuel spillage and remove any fuel soaked debris.
 - l. Never store the machine or fuel container inside where there is an open flame, spark or pilot light as on a water heater, space heater, furnace, clothes dryer or other gas appliances.

General Operation

1. Read, understand, and follow all instructions on the vehicle and in the manual before attempting to operate or service. Keep this manual in a safe place for future and regular reference and for ordering replacement parts.

2. This is an off-road utility vehicle and it should not be operated on public highways. Know and comply with all laws and regulations governing the use of off-highway vehicles in your area.
3. This vehicle handles and maneuvers differently than a normal passenger car. Sharp high speed turns and abrupt maneuvers can cause vehicle to roll over or go out of control. Slow down when turning and avoid abrupt maneuvers.
4. Handling and maneuvering characteristics of vehicle change depending upon cargo load. Heavy loads affect steering, braking, stability, and overall handling of vehicle.
5. Be familiar with all instructions and controls and their proper operation before starting vehicle.
6. Never allow adults to operate this vehicle without proper instruction.
7. Never allow children under 16 years old to operate this vehicle. Children 16 years old and over should read and understand the operation instructions and safety rules in this manual and should be trained and supervised by a parent.
8. Watch for traffic when operating near or crossing roadways. This vehicle is not intended for use on any public roadway.
9. Do not operate this vehicle while under the influence of alcohol or drugs.
10. Never carry more than one passenger. This vehicle is designed to carry the driver and one passenger only. No riders are allowed in cargo box or anywhere else on vehicle.
11. Keep all body parts (i.e. head, arms, hands, legs, feet) inside vehicle when vehicle is in motion.
12. Always remain seated and keep both hands on the steering wheel when driving the vehicle.
13. Sit on the center of the seat and keep both feet within the foot platform perimeter. Clean foot platform if dirty and remove any debris from around foot controls, e.g. brake pedal.
14. Do not misuse the utility vehicle. It is an utility vehicle, not a recreation vehicle or toy. Recreational riding can lead to accidents, severe bodily injury or death.
15. Inspect area around vehicle before moving, especially in reverse. Back up slowly. Always look down and behind before and while backing to avoid a back-over accident. Keep bystanders out of area.
16. Avoid driving through water, since loss of control may occur. Drive belt may slip if exposed to water thus reducing vehicle pulling power and stopping vehicle entirely.
17. Always use vehicle lights while operating in low light situations.
18. Do not mount or leave vehicle while it is in motion or in actual operation.
19. Avoid sudden starts, stops, or turns and always use a level turn-around area.
20. Never leave vehicle unattended with the key in the ignition. Always turn key to the "Stop" position, set the parking brake and remove key.
21. Check overhead clearances carefully before driving under low hanging tree branches, wires, power lines, bridges, before entering or leaving buildings, or in any other situation where the operator and/or operator protective structure (OPS) may be struck, which could result in serious injury.
22. Use the operator protective structure (OPS) and seat belt for safe operation. Overturning the utility vehicle without a operator protective structure (OPS), or with a operator protective structure (OPS) and the seat belt unfastened, can result in death or injury.
23. Always use the seat belt, except if the operator protective structure (OPS) has been removed.
24. Improper use of the vehicle or failure to properly maintain it could result in decreased vehicle performance or personal injury.
25. Engine must be stopped when cleaning, servicing, adjusting, repairing, or installing attachments on utility vehicle.
26. After striking foreign objects, stop the unit and shut off the engine. Inspect for damage and repair the damage before restarting and operating equipment.
27. Do not start or operate vehicle in an inside area, unless it is adequately ventilated. Engine exhaust contains carbon monoxide fumes, which are very poisonous and can be deadly.
28. Do not change engine governor setting or over speed the engine. The governor is set at the factory for safe operating speed.
29. Assure safety interlock switch is adjusted correctly so engine cannot be started unless gearshift is in the neutral position.
30. Do not touch engine or muffler while engine is running or soon after it is stopped. They will be hot and can cause a burn.
31. Always inspect your vehicle each time you use it to make sure it is in safe operating condition. Always follow the inspection and maintenance procedures and schedules described in this manual.
32. If situations occur which are not covered in this manual, use care and good judgement. Contact your local service center or call toll free 1-877-282-8684 for the name of your nearest service center.

Slope Operation

Slopes are a major factor related to loss of control and rollover accidents, which can result in severe injury or death. If a slope is steeper than a 15° incline, do not operate this unit on that area. Exercise extreme caution while operating on slopes.

Do:

1. Travel straight up and down slopes, not across. Exercise extreme caution when changing direction on slopes.

- Travel slowly while on a slope. Always keep the forward speed limited when going down slopes to take advantage of the motor braking action.
- Keep all movement on the slopes slow and gradual. Avoid starting or stopping on a slope.
- Avoid slopes with slippery, loose, or bumpy surfaces as they are especially hazardous.
- Use extra care while carrying cargo. It may affect the stability of the vehicle. Spread the load evenly or tie down.

Do Not:

- Do not travel near drop-offs, ditches or embankments. The vehicle could suddenly turn over if a wheel is over the edge of a cliff, ditch, or if an edge caves in.
- Do not stop or start suddenly when going uphill or downhill. Be especially cautious when changing direction on slopes.
- Do not turn sideways to the hill. The vehicle may roll over. If you must turn, go slow and do so carefully and gradually.
- Do not carry cargo on steep slopes or tow loads.

Towing

- Always use an approved hitch and hitch point provided on the utility vehicle.
- Do not tow more than 1300 lbs. rolling weight (i.e. trailer plus cargo).
- Never load more than 130 lbs. tongue weight on tow bracket provided.
- Go slow and use extra care when towing a trailer. Allow for increased braking distance. Load trailer properly.
- Do not tow heavy loads on slopes greater than 5° incline. When going downhill or turning, the extra weight tends to push the tow vehicle and may cause you to lose control (i.e. braking and steering ability are reduced, towed equipment may jack-knife and cause utility vehicle to overturn).

Cargo Box Loading/Operation

- Do not exceed vehicle's Total Load Capacity rating of 1,300 lbs. This includes operator, passenger, accessories, and cargo.
- Do not exceed 900 lbs. load in cargo box.
- Spread load evenly and secure to prevent movement.
- Do not load above height of cargo box front panel. Load could shift forward and injure driver or passenger.
- Avoid loads which exceed the physical dimensions of cargo box.
- Go slow. Heavy loads will affect steering, braking, stability, and overall handling of the vehicle. Limit loads to those that can be safely controlled.
- Avoid sudden starts, stops, and turns which could cause load to shift.

Cargo Box Lift

- Stop vehicle on level ground and set Parking Brake before raising cargo box.
- On manual lift units, unload cargo box before raising cargo box.
- Do not operate vehicle with cargo box in raised position.
- Do not operate vehicle with cargo box latch unlatched. Always re-latch upon manually lowering cargo box.

When using optional electric lift:

- Stay in driver's seat.
- Keep body parts away from cargo box and keep all bystanders away.
- Do not allow rear wheels to hang over the edge of a drop-off when raising cargo box. The load in the cargo box may shift causing the vehicle to tip over backwards.

Safety Frame (OPS)

- Your vehicle is equipped with a operator protective structure (OPS) which must be maintained in a fully functional condition. Use care when driving through doorways or spaces with a low overhead.
 - Never modify the OPS in any way.
 - Never attempt to straighten or reweld any part of the main frame or retaining brackets that have been damaged. Doing so may weaken the structure and endanger your safety.
 - Never secure any parts other than Cub Cadet approved accessories on the main frame or attach the safety frame with anything other than the special fasteners specified.
 - Never attach ropes, chains, or cables to the OPS for pulling purposes.
 - Although the OPS provides you the maximum protection possible, never take unnecessary risks.

Children

- Tragic accidents can occur if the operator is not alert to the presence of children. Children are often attracted to the vehicle. They do not understand the dangers. Never assume that children will remain where you last saw them. Avoid run over accidents.
 - Keep children out of the immediate area of the vehicle and in watchful care of a responsible adult other than the operator.
 - Be alert and turn the vehicle off if a child enters the area.
 - Before and while backing, look behind and down for small children.
 - Never carry small children, they may fall off and be seriously injured or interfere with safe vehicle operation.

- e. Use extreme care while approaching blind corners, doorways, shrubs, trees or other objects that may block your vision of a child who may run into the path of the vehicle.
 - f. Remove key when vehicle is unattended to prevent unauthorized operation.
2. Never allow children under 16 years old to operate this vehicle. Children 16 years old and over should read and understand the operation instructions and safety rules in this manual and should be trained and supervised by a parent.
 3. Do not let children ride in the cargo box, in the driver's or passenger's lap or anywhere other than the passenger seat. Never give small children a ride; not even in the passenger seat. They may fall off.

Service

1. Never run an engine indoors or in a poorly ventilated area. Engine exhaust contains carbon monoxide, an odorless, and deadly gas.
2. Before cleaning, repairing, or inspecting, make certain all moving parts have stopped. Disconnect the spark plug wires and ground against the engine to prevent unintended starting.
3. Check brake operation frequently as it is subjected to wear during normal operation. Adjust and service as required.
4. If equipped, the cooling system is under pressure. Never remove the radiator cap when the system is hot. Slowly turn the cap the to the first stop to release pressure before removing the cap.
5. Keep all nuts, bolts, and screws tight to be sure the equipment is in safe working condition.
6. Never tamper with the safety interlock system or other safety devices. Check their proper operation regularly.
7. Never attempt to make adjustments or repairs to the machine while the engine is running.
8. Do not change the engine governor settings or over-speed the engine. The governor controls the maximum safe operating speed of the engine.
9. Maintain or replace safety and instruction labels, as necessary.
10. Observe proper disposal laws and regulations for gas, oil, etc. to protect the environment.
11. Prior to disposal, determine the proper method to dispose of waste from your local Environmental Protection Agency. Recycling centers are established to properly dispose of materials in an environmentally safe fashion.
12. Use proper containers when draining fluids. Do not use food or beverage containers that may mislead someone

into drinking from them. Properly dispose of the containers immediately following the draining of fluids.

13. DO NOT pour oil or other fluids into the ground, down a drain or into a stream, pond, lake or other body of water. Observe Environmental Protection Agency regulations when disposing of oil, fuel, coolant, brake fluid, filters, batteries, tires and other harmful waste.
14. We do not recommend the use of a pressure washer or garden hose to clean your unit. They may cause damage to electrical components; spindles; pulleys; bearings; or the engine. The use of water will result in shortened life and reduce serviceability.

Do not modify engine

To avoid serious injury or death, do not modify engine in any way. Tampering with the governor setting can lead to a runaway engine and cause it to operate at unsafe speeds. Never tamper with factory setting of engine governor.

Notice Regarding Emissions

Engines which are certified to comply with California and federal EPA emission regulations for SORE (Small Off Road Equipment) are certified to operate on regular unleaded gasoline, and may include the following emission control systems: Engine Modification (EM), Oxidizing Catalyst (OC), Secondary Air Injection (SAI) and Three Way Catalyst (TWC) if so equipped.

Spark Arrestor



WARNING: This unit is equipped with an internal combustion engine and should not be used on or near any unimproved forest-covered, brushcovered or grass-covered land unless the engine's exhaust system is equipped with a spark arrester meeting applicable local or state laws (if any).

If a spark arrester is used, it should be maintained in effective working order by the operator. In the State of California the above is required by law (Section 4442 of the California Public Resources Code). Other states may have similar laws. Federal laws apply on federal lands.

A spark arrester for the muffler is available through your nearest engine authorized service dealer or contact the service department, P.O. Box 361131 Cleveland, Ohio 44136-0019.

Average Useful Life

According to the Consumer Products Safety Commission (CPSC) and the U.S. Environmental Protection Agency (EPA), this product has an *Average Useful Life* of seven (7) years, or 390 hours of operation. At the end of the *Average Useful Life*, buy a new unit or have the unit inspected annually by an authorized service dealer to ensure that all mechanical and safety systems are working properly and not worn excessively. Failure to do so can result in accidents, injuries or death.



WARNING: Your Responsibility—Restrict the use of this power machine to persons who read, understand and follow the warnings and instructions in this manual and on the machine.

SAVE THESE INSTRUCTIONS!

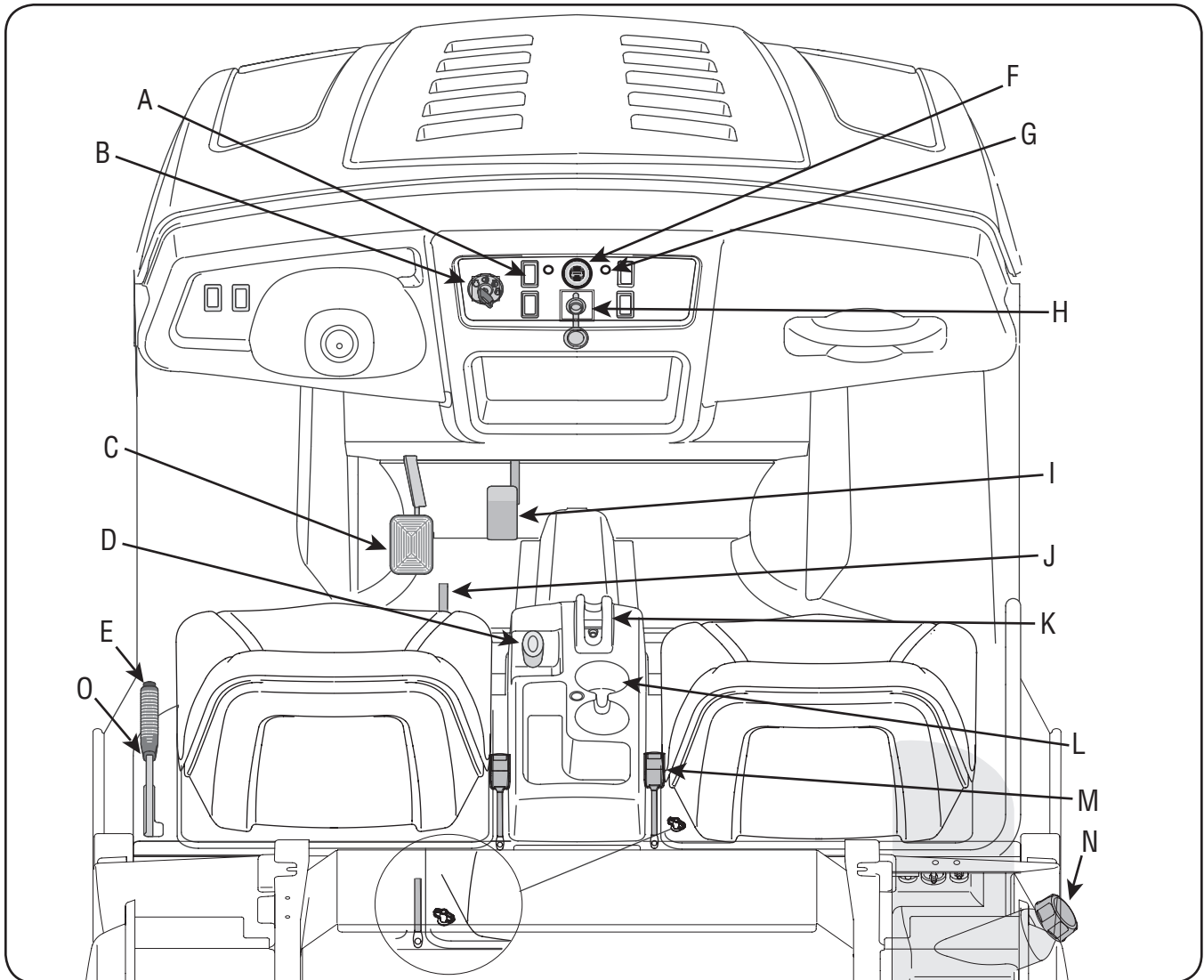


Figure 4-1

A	4x4 Switch (4X4 Only)	I	Accelerator Pedal
B	Ignition Switch	J	Adjustable Seat Lever <i>(if equipped)</i>
C	Brake Pedal	K	Shift Lever
D	Differential Lock Lever	L	Cup Holders <i>(if equipped)</i>
E	Parking Brake Lever	M	Seat Belts
F	Warning Light Cluster	N	Fuel Tank
G	Engine Over-Temp Light	O	Choke Knob
H	12 Volt Power Outlet		

Read this operator's manual, safety labels, and operating instructions on the vehicle before operating. Compare the illustrations in this manual with your unit to familiarize yourself with the location of various controls and adjustments. Reference to the right or left hand side of unit is observed from the operating position. Save this manual for future reference.

IMPORTANT: Read the Kohler Engine operator's manual before operating this vehicle to familiarize yourself with the engine controls and adjustments.

Accelerator Pedal

The accelerator pedal is located on the right side of the floor beneath the dash panel. Depressing the accelerator pedal will move the vehicle in the direction selected on the gearshift. As the pedal is depressed, speed will increase to the maximum selected range. Releasing the pedal reduces the speed, but does not stop the vehicle. The brake must be applied to stop vehicle. See Fig. 4-1.

Brake Pedal

The brake pedal is located on the left side of the floor beneath the dash panel. Remove foot from accelerator pedal apply pressure to the brake pedal evenly until vehicle slows down and stops. See Fig. 4-1.

Parking Brake Lever

The parking lever is located to the left of the driver's seat. It holds the brake in the engaged position for parking. See Fig. 4-1.

To engage the parking lever, place shift lever in Neutral, push brake pedal down firmly, pull up on the parking brake lever, and release foot from brake pedal. Brake pedal will stay down and parking brake light on dash will come on to indicate parking brake is engaged.

To release parking brake, push down on brake pedal and parking brake latch will release.

NOTE: There is a buzzer which will become activated (audible sound) when the parking brake is engaged and the unit is not in Neutral.

Choke Knob

The choke knob is located to the left of the driver's seat. The choke is used when starting a cold engine. It richens the fuel mixture for cold weather starting. See Fig. 4-1.

Shift Lever

The shift lever is located in the center console between the seats and has four positions, FORWARD, LOW, NEUTRAL, and REVERSE. The brake pedal must be depressed and the utility vehicle must not be in motion when the moving shift lever.

NOTE: To shift into LOW, move the shift lever from the neutral position towards the passenger seat and then forward.

IMPORTANT: Never force the shift lever. Doing so may result in serious damage to the utility vehicle's transmission.



Differential Lock Lever

The differential lock lever is located in the center console between the seats. When engaged, the differential lever locks the differential so both drive wheels will pull equally when rear wheels start to slip. See Fig. 4-1.

Differential Lock Lever

The differential lock lever is located in the center console between the seats. When engaged, the differential lever locks the differential so both drive wheels will pull equally when rear wheels start to slip. See Fig. 4-1.

Ignition Switch



WARNING: Never leave a running machine unattended. Always set parking brake, stop engine and remove key to prevent unintended starting.

The ignition switch is located to the right of the steering wheel on the left side of the dash panel. To start the engine, insert the key into the ignition switch and turn clockwise to the START position. Release the key into the Run position once engine has fired. See Fig. 4-1.

Refer to Starting The Engine in the Operation Section of this manual for detailed starting instructions.

Warning Light Cluster

The warning light cluster is located in the middle of the dash panel. See Fig. 4-2. There are four warning lights: alternator discharge light (Battery), parking brake light, engine oil pressure light, and low fuel light.

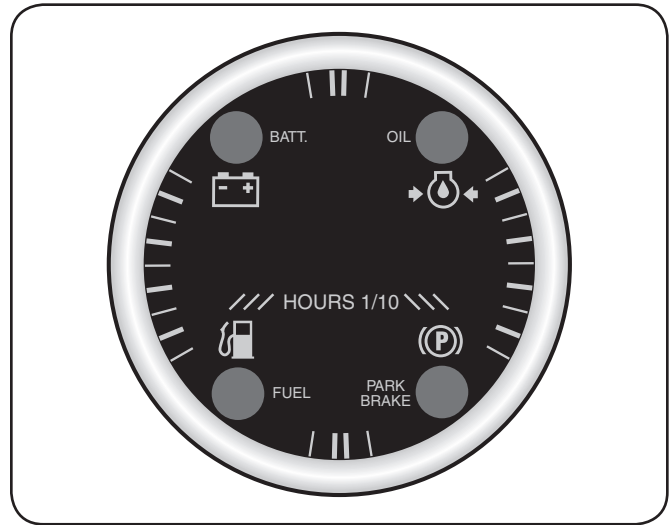


Figure 4-2

The engine oil pressure light activates when engine has low oil pressure. The alternator discharge light will indicate that the alternator is not charging. The low fuel light activates when fuel is low in the tank. The parking light indicates that the parking brake is engaged.

Hour Meter

The hour meter is located in the center of the warning light cluster. It reads the elapsed time engine has run. See Fig. 4-2.

NOTE: Every 50 hours a "change oil" message will flash on the display for 2 minutes every time the tractor is started. This message will repeat for the first two after each 50 hour interval. The oil pressure indicator light will also flash when this display is active. Before the interval expires, change the crankcase oil level as instructed in the Engine Manual.

4x4 Switch (4x4 Only)

The 4x4 switch is located on the right side of the dash panel. Push in top/bottom of switch to activate or deactivate 4x4 capability. See Fig. 4-1.

12V Power Outlet

The 12V power outlet is located in the center of the dash panel. It is used for the convenience of plugging in accessories that require a power source with a maximum load of 5 amps at 12 volts. See Fig. 4-1.

Cup Holders

The cup holders are located between the seats. They are designed for the use of non-alcoholic beverages.



WARNING: Never operate this vehicle while under the influence of alcohol or drugs. Doing so can result in serious personal injury or death.

Seats

The passenger seat is secured with a wing nut located on the interior corner of the seat plate, underneath the seat belt. See Fig. 4-1 insert. To lift the seat remove the wing nut, then lift the seat.

The driver seat has a tool box underneath it, which can be easily accessed by lifting the seat. This box may be removed by removing the two screws securing it to the frame for easy access to belts, etc.

Seat Belts

The seat belts are located on either side of the driver and passenger seats. When used together with the OPS (Rollover Protective Structure) they are effective in reducing injuries to the operator in the event of an accidental rollover.



WARNING: Always wear the seat belt when operating the utility vehicle equipped with a OPS. However, if the OPS is not present or has been removed, the seat belt must not be used.

Cargo Box Electric Lift Switch (Optional)

If equipped, the cargo box electric lift switch is located on the right side of the dash panel. It activates lift to raise and lower cargo box.

Auxiliary Light Switch (Limited Edition Only)

If equipped, the auxiliary light switch is located on the left side of the dash panel. It turns power on and off for the fog lights and light bar.

NOTE: If you are running the fog lights in addition to all the other lights included with the Limited Edition unit, i.e., headlights, light bar, more than 50% of the time, we recommend you purchase the Heavy Duty Alternator Kit to prevent excessive drain of the battery.

Rear Power Outlet Switch (Optional)

If equipped, the rear power outlet switch is located on the left side of the dash panel. It turns power on and off for the rear outlet.

Adjustable Seat Lever (if equipped)

The adjustable seat lever is located beneath the driver's seat on the front side and it is used to move the seat forward and backward. See Fig. 4-3.

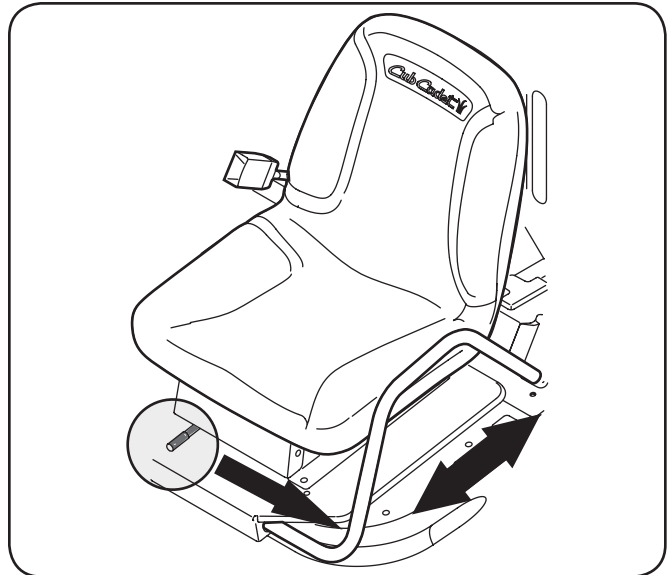


Figure 4-3

Slide the lever to the left and push the seat forward or back to the desired position. Release the lever so that it locks the seat in place.



WARNING: Make sure seat is in locked position prior to operation and do not try to adjust the seat position while operating the vehicle.

Cargo Box

The cargo box is raised by a gas spring. Manually remove the contents of the cargo box before lifting the cargo box. Pull up on the release latch located behind the driver's seat and lift up the cargo box. Once the cargo box is in the raised position, access to the engine is possible. If equipped with a electrical lift, the cargo box can be raised to dump cargo.

IMPORTANT: Do not exceed the vehicle's Total Load Capacity of 1,300 lb., which includes driver, passenger, accessories, and cargo. Do not exceed 900 lbs. in the cargo box.

Filling Fuel Tank

1. Stop vehicle on a level surface and apply parking brake.
2. Turn the ignition key to the STOP position and remove the key.
3. Allow engine to cool several minutes before you add fuel.
4. Clean area around fuel cap and remove cap.
5. Fill tank with fresh, unleaded, regular grade fuel only to bottom of filler neck. Use a minimum of 87 octane.
6. After refueling, make sure tank cap is closed securely.

Starting Engine



WARNING: This is an off-road utility vehicle and it should not be operated on public highways. Know and comply with all laws and regulations governing the use of off-highway vehicles in your area.

IMPORTANT: Before starting the engine read this manual and the Kohler Engine manual thoroughly to understand all instructions.



WARNING: Do not run an engine in an enclosed area. Move the vehicle to an outside area before running the engine.

IMPORTANT: Tires are shipped over-inflated. Reduce inflation pressure in all tires to approximately 14-18 psi.

1. Sit in the operator's seat and place key switch in STOP position.
2. Put into Neutral.
3. Lock parking brake.
NOTE: Engine will stop when the parking brake is engaged and the unit is not in Neutral.
4. Pull out the choke knob if engine is cold.
5. Turn key to the START position.
6. Release key to the RUN position when engine starts.
7. If engine does not start, wait a few seconds and repeat procedures.
8. After engine starts, push in choke knob.
9. Release parking brake.

IMPORTANT: DO NOT run the starter continuously for more than 5 seconds, otherwise the battery may discharge quickly.

NOTE: If engine surges after starting while idling or driving at a low speed, apply choke as needed until engine has warmed up.

IMPORTANT: Do not operate the engine under full load until engine has warmed up.

Stopping Engine

1. To stop utility vehicle, release accelerator pedal and depress brake pedal until vehicle comes to a complete stop.
2. Put unit back into Neutral.
3. Set parking brake and turn key switch to STOP position.
4. Remove the key when not in use.



WARNING: The vehicle will roll if the parking brake is not engaged and locked.

Driving Utility Vehicle

1. Adjust the operator's seat (*bucket seat models only*) to the most comfortable position that allows you to operate all controls and pedals. See Seat Adjustment in the Controls & Features section.
2. Adjust the seat belt to fit snugly but comfortably around your lap, then buckle the seat belt.



WARNING: DO NOT use the seat belt if the OPS has been removed from the utility vehicle.

3. Make sure front wheels are turned to the desired direction.
4. Pull up the parking brake lever to release parking brake.
5. Move the shift lever in the center console to the desired setting. To avoid damaging transmission, depress brake pedal fully and make sure vehicle is completely stopped before shifting into Forward, LOW, or Reverse.

NOTE: Use the Forward range when travelling on level and stable surfaces. Use the LOW Forward range when climbing or descending slopes or on unstable surfaces.



WARNING: Do not stop or start suddenly when going uphill or downhill. Be especially cautious when changing direction on slopes. Apply brakes when going down slopes to maintain control of vehicle.

6. Release brake pedal and apply pressure to the accelerator pedal.
7. Release accelerator and apply brake pedal evenly and firmly to slow down or stop.

Engaging 4x4

The 4x4 switch is located on the right side of the dash panel. See the Controls & Features section.

1. To engage, stop or slow vehicle speed and push up on the switch. All four wheels will now continue to have power.

IMPORTANT: Engage the 4x4 feature as the first option when stuck in mud or similar situation where two wheel drive is ineffective at moving vehicle.

2. If still unable to move vehicle with the 4x4 engaged, disengage 4x4 by pushing down on the switch and engaging the differential lock as described below.

Engaging Differential Lock

The differential lock lever is located in the center console between the seats (bucket seat models only). See Know Your Utility Vehicle.

1. To engage, stop vehicle, place into Neutral, and pull the lever rearward. The differential will then lock and remain so until it is disengaged, giving continuous power to both rear wheels.

IMPORTANT: Engage the differential as the last option when stuck in mud or similar situation or when the left and right side wheels are turning at slightly different speeds.



WARNING: To avoid transmission damage, injury, or turf damage, go slow when operating vehicle with differential lock engaged as steering response is noticeably reduced. Also, do not drive the unit with the differential lock engaged on concrete, asphalt or any high traction surfaces.

Disengaging Differential Lock

1. To disengage the differential lock, stop the unit, place in Neutral, and push the lever forward.

Raising & Lowering Cargo Box



WARNING: To prevent the possibility of bodily injury from unintentional lowering of the cargo box, be sure vehicle is on a level and stable surface and parking brake is locked before raising cargo box.

Manual Lift

1. Park the vehicle safely on level ground and set parking brake.
2. Empty cargo by hand and unlatch cargo box by pulling up on the cargo latch.
3. While holding the latch down, lift the cargo box.
4. Lower and allow bed to re-latch cargo box before operating unit.

Electric Lift (Optional)

1. Park the vehicle safely and turn key to the RUN position.
2. Raise cargo box by pressing and holding top of electric lift switch. Release switch when box is at desired dump height or when maximum height is reached.

NOTE: A ratcheting noise will indicate cargo box is at full extension. The same noise will also be heard when cargo box is at the full down position. If lift capacity of the power lift is exceeded, a ratcheting will also be heard.

3. To lower cargo box, push on bottom of electric lift switch. Turn ignition switch to the STOP position.

Dumping Load From Cargo Box

1. Back up the vehicle to the dump site and apply parking brake.
2. Unlatch the tailgate from cargo box.
3. If using an electric lift, raise cargo box to dump load and lower box when empty.



WARNING: The center of gravity changes as a loaded cargo box is raised. Do not allow rear wheel to hang over the edge of a loading dock or ravine. The cargo box weight may shift over center and vehicle could tip over backwards.



WARNING: A loaded cargo box can be very heavy. Do not attempt to dump a loaded cargo box unless vehicle is equipped with an electric lift option.

IMPORTANT: If dumping by electric lift, stop immediately if actuator clutch slippage occurs. Lower cargo box completely and remove excess load by hand before dumping.

4. Reconnect the tailgate to the cargo box. Do not drive the vehicle with cargo box in the raised position.

Loading the Cargo Box



WARNING: The utility vehicle may become unstable if the cargo box is loaded incorrectly. Avoid loose and shifting loads or uneven loading of material.

1. Verify cargo box is latched before loading.
2. Securely anchor all loads in cargo box and do not load beyond maximum capacity.
3. The maximum box capacity is 900 lbs. (362.9 kg).
4. When loading objects into vehicle, be sure load is securely anchored and evenly distributed in cargo box.
5. Do not load above height of cargo box front panel. Load could shift forward striking driver or passenger or cause driver to lose control of vehicle.
6. Avoid loads which exceed physical dimensions of cargo box.
7. Avoid concentrated loads at rear or side of cargo box. Be sure load is distributed evenly.
8. Reduce load and ground speed when operating over rough or hilly terrain. DO NOT overload vehicle. Limit loads to those that can be safely controlled.

Towing Loads



WARNING: To help prevent personal injury due to loss of control or tipping, always tow a load slowly enough to maintain control.

1. Do not tow a load that exceeds 1,300 lbs. (454.5 kg) rolling weight (i.e. trailer plus cargo) and never exceed 130 lbs. (45.5 kg) tongue weight.
2. Go slow when towing a heavy load. Allow for increased braking distance. Tow load at a speed slow enough to maintain control.
3. Do not tow on slopes greater than 5°.
4. Be particularly cautious when towing down even a gradual slope or turning. The extra weight tends to push the tow vehicle and may cause you to lose control (braking and steering ability are reduced; towed equipment may jack-knife).
IMPORTANT: Extreme angles such as high railroad crossings can place high bending loads on hitch connection. If traversing terrain where these conditions exist, use of a ball or pintle type hitch is recommended.
5. Always use approved hitch and hitch point provided for the utility vehicle. Do not modify the hitch in any way.

Transporting Vehicle

IMPORTANT: Never tow the vehicle. Transmission damage will occur if vehicle is towed. Haul the vehicle on a heavy-duty trailer or on a full-size truck.

1. Once the utility vehicle is loaded onto the trailer or truck, leave transaxle gearshift lever in forward or reverse.
2. Apply parking brake during transport.
3. Fasten vehicle to trailer or truck with straps, chains, or cables.

Operator Protective Structure (OPS)

This utility vehicle is equipped with a Operator Protection Structure (OPS) and seat belts. When used together they are effective in reducing injuries to the operator in the event of an accidental Operator. The safety provided by the OPS is minimized if the seat belt is not properly adjusted AND buckled.



WARNING: Always wear the seat belt when operating the utility vehicle equipped with a OPS. However, if the OPS is not present or has been removed, the seat belt must not be used.

Use the following guidelines when using a utility vehicle equipped with a OPS:

1. Be aware of overhead clearances in the area of operation. Check for clearance of door (or gate) openings and other overhead objects such as utility lines and tree branches. Overhead objects could catch the OPS and upset the utility vehicle.
2. Do not modify the OPS by drilling holes for, or welding accessories to the structure.
3. Do not use the OPS to pull objects with the utility vehicle. Use ONLY the utility vehicle hitch for pulling.
4. In the event of an accident, have the OPS carefully inspected and, if necessary, replaced by your Cub Cadet dealer. Do not attempt to repair the OPS.

Engine

Read the Kohler engine operator's manual for any service or maintenance information pertaining to the engine.

Transfer Case Oil



WARNING: The fluid for your transmission has been specially formulated to ensure the safe and proper operation of your vehicle. When changing the transmission fluid replace it with 80W-90 Shell Dentax Low Foam Oil. Failure to use 80W-90 Shell Dentax Low Foam Oil may result in a failure of the drive system which could result in property damage or personal injury. DO NOT substitute.

Check the transfer case oil every 100 hours or yearly and change it at the first 50 hours and then again at 500 hours.

1. Park vehicle on level surface, place shift lever in Neutral, and apply parking brake.
2. Allow transmission sufficient time to cool before attempting any maintenance or repairs.
3. Raise and secure cargo box, if manual lift.
4. Access drain plug through slot on underside of machine and remove plug. See Fig. 6-1.

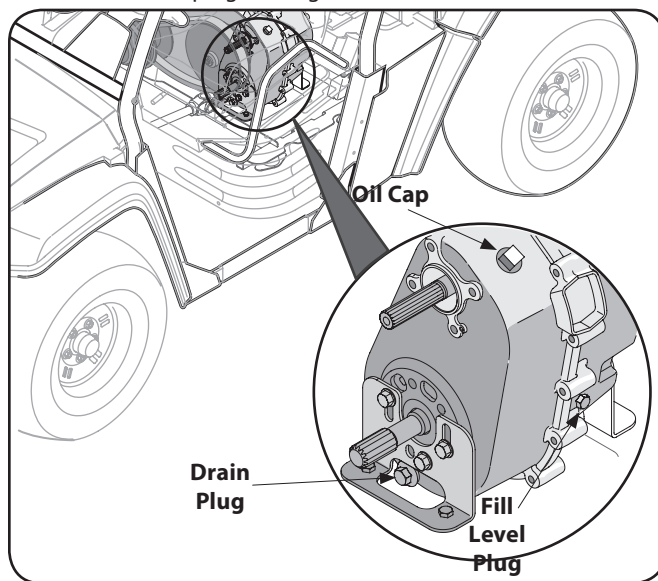


Figure 6-1

5. Check O-ring on drain plug and replace if missing or in poor condition.
6. Install and tighten drain plug.
IMPORTANT: Dirt and debris in oil may cause damage to transfer case. Clean area around opening before removing oil cap.
7. Remove oil cap and add approximately 64 oz of 80W-90 Shell Dentax Low Foam Oil.

NOTE: If necessary, you may remove the fill level plug to assist with determining the level to which the transmission may be filled. See Fig. 6-1. When oil begins coming out of fill level opening, the transmission is full. Replace fill level plug when finished.

8. Install oil cap, and lower and latch cargo box.

Battery



WARNING: The battery produces a flammable and explosive gas. Do not smoke near battery. Wear eye protection and gloves when handling the battery. Do not allow direct metal contact across battery posts. The battery is sealed and is maintenance free. Acid levels cannot be checked and fluid can not be added.



WARNING: California Proposition 65 Warning: Battery posts, terminals, and related accessories contain lead and lead compounds, chemicals known to the State of California to cause cancer and reproductive harm. Wash hands after handling.

IMPORTANT: If removing the battery for any reason, disconnect the NEGATIVE (Black) wire from its terminal first, followed by the POSITIVE (Red) wire. When re-installing the battery, always connect the POSITIVE (Red) wire to its terminal first, followed by the NEGATIVE (Black) wire. Be certain that the wires are connected to the correct terminals; reversing them could change the polarity and cause damage to your engine's alternating system.

Cleaning Battery and Terminals

1. Remove battery from vehicle. Always remove negative cable first when disconnecting.
2. Wash battery with solution of four tablespoons of baking soda to one gallon of water.
3. Rinse the battery with plain water and dry.
4. Clean terminals and battery cable ends with wire brush until bright.
5. Apply petroleum jelly or silicone spray to terminals to prevent corrosion.
6. Install battery. Always install negative cable last when connecting.

Jumping Battery



WARNING: Do not attempt to jump start a frozen battery. Warm to 60 degrees F (16 degrees C). Do not smoke near battery and wear eye protection and gloves when handling battery.

1. Connect positive (+) jumper cable to booster battery positive (+) post (A). See Fig. 6-2.

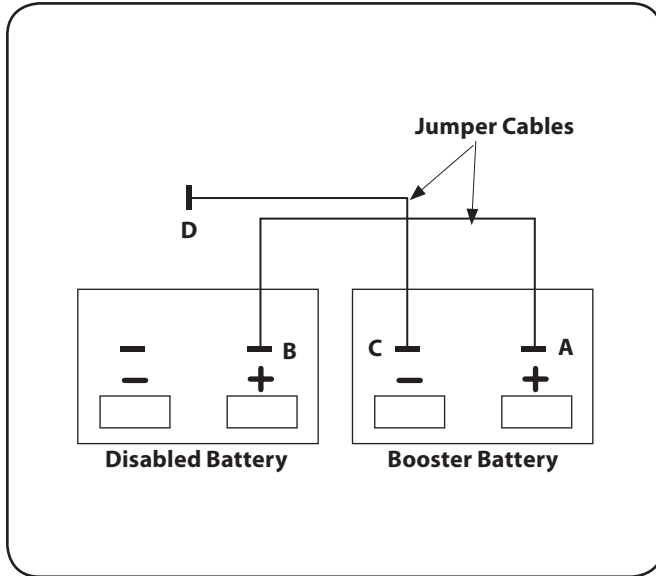


Figure 6-2

2. Connect the other end of positive (+) jumper cable to the disabled vehicle battery positive (+) post (B).
3. Connect negative (-) jumper cable to booster battery negative (-) post (C).
4. Connect the other end (D) of negative (-) jumper cable to a metal part of the disabled machine frame away from battery.
5. Start the engine of the disabled machine and run machine for several minutes.
6. Carefully disconnect the jumper cables in the exact reverse order: negative cable first and then the positive cable.

IMPORTANT: Alternator will not charge unless battery has minimum of 11 volts. Unit will not run if battery voltage is below 11.

Charging Battery



WARNING: Charge battery in a well ventilated area and keep away from an open flame or pilot light as on a water heater, space heater, furnace, clothes dryer or other gas appliances.

If the vehicle has not been put into use for an extended period of time, charge the battery with an automotive type 12-volt charger for a minimum of one hour at six amps.

Tire Pressure



WARNING: Explosive separation of tire and rim parts is possible when they are serviced incorrectly. Do not stand in front or over tire assembly when inflating.

The recommended operating tire pressure is approximately 14-18 psi for all tires. Overinflating above recommended tire pressure can reduce the life of the tire. Check tire pressure before driving the vehicle.

Operator Protective Structure (OPS)

Periodically (at least every six months) visually inspect the OPS for damage and loose fasteners. If damage is noted, contact your Cub Cadet dealer.

If an accident has occurred which may have damaged the OPS, have the OPS thoroughly inspected by your Cub Cadet dealer.



WARNING: To ensure the structural integrity of the OPS to provide operator protection, do not attempt to straighten or weld the OPS. A damaged OPS should be replaced.

If the OPS is removed for any reason, make sure the proper hardware is used to reinstall it, and that the recommended torque values are applied to the fasteners.

If you are not installing new bolts when replacing or reinstalling the OPS, apply Loctite® 242 to the threads of the bolts that were removed. Torque the bolts to 32 to 36 ft. lbs.

Front and Rear Shocks

Inspect the front and rear shocks every 100 hours or once a year for oil leakage. See Fig. 6-2. If excessive oil leakage appears, have shocks repaired or replaced by your local Cub Cadet dealer.

CV Boots

Inspect CV boots (two on each CV joint axle end, eight total) for tears every 50 hours. See Fig. 6-3. If tears or excessive wear appear, have boots replaced by your local Cub Cadet dealer.

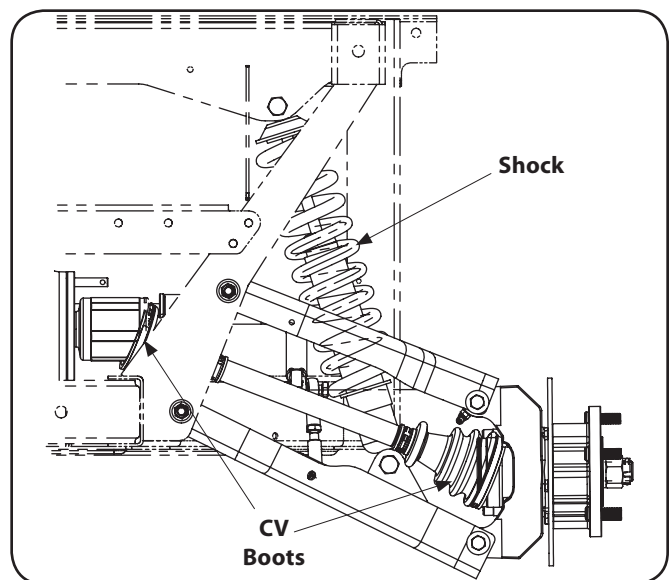


Figure 6-3

Ball Joints

Inspect the upper and lower front A-arm ball joints on each side of the vehicle and the two tie rod ends for wear every 100 hours or once a year. See Fig. 6-4. If excessive wear appears, have ball joints or tie rod ends replaced by your local Cub Cadet dealer.

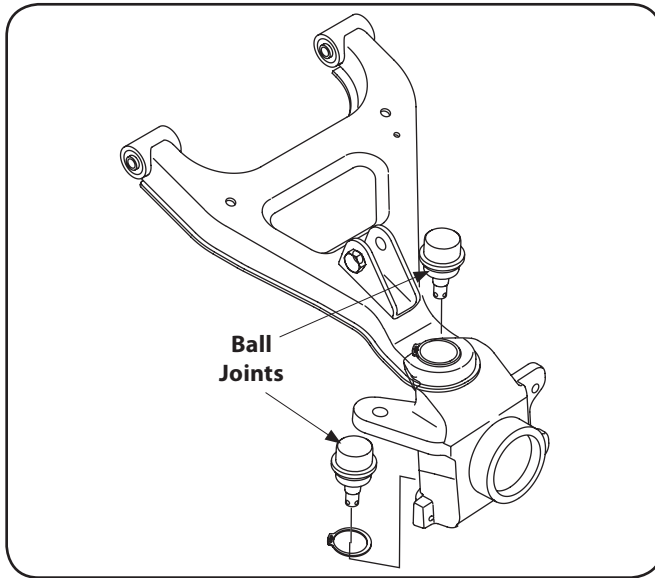


Figure 6-4

Rear Knuckles

Lubricate two grease fittings on each axle with 2 or 3 shots of grease every 50 hours or after each use if consistently running unit in water deeper than axle. See Fig. 6-5.

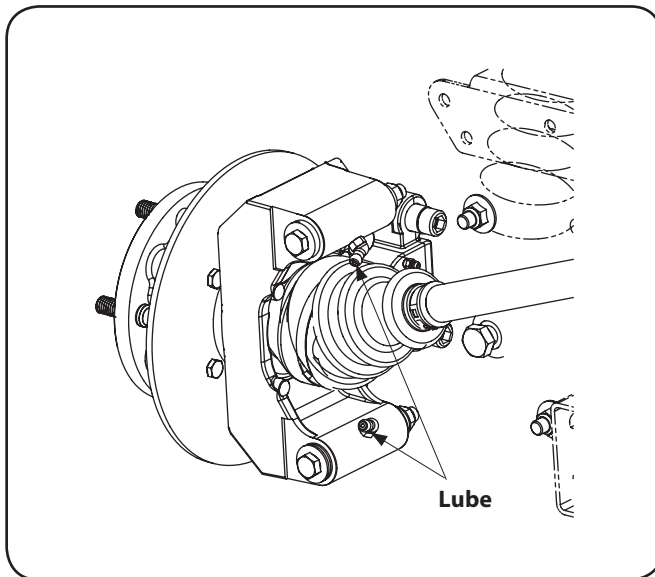


Figure 6-5

Draining CVT Cover

Drain CVT cover every 50 hours or after driving vehicle through more than 12" of water.

1. Remove CVT cover drain plug. See Fig. 6-6.
2. Allow water to completely drain out.
3. Reinstall drain plug, and tighten securely.

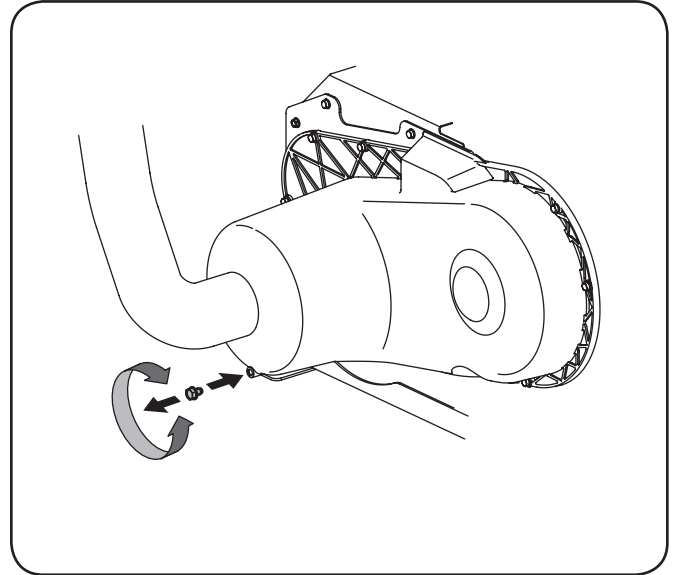


Figure 6-6

Cleaning

The body panels are scratch and impact resistant automotive quality ABS plastic. The use of standard car wash soap and non-abrasive car wax is acceptable for cleaning the body panels. Avoid any abrasive cleaner or rubbing compounds for these will damage the body panels. Dry thoroughly to avoid water spots.



WARNING: DO NOT use a pressure washer. Damage may occur if direct hose spray comes in contact with intake openings, or any other electrical components, i.e. at instrument cluster or under dash.

Headlight Bulbs

1. Raise hood to get access to the headlight assembly.
2. Turn the bulb/socket assembly approximately a quarter turn counterclockwise to align its tabs with the notches of the reflector, then remove from the reflector. See Fig. 7-1.

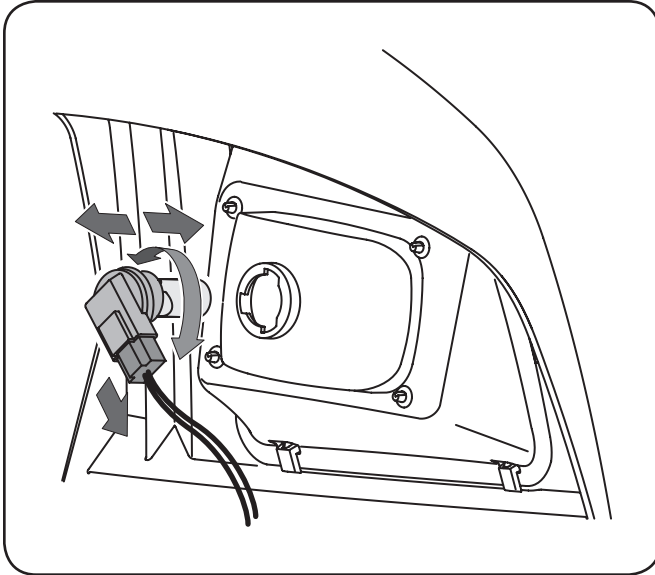


Figure 7-1

3. Unplug the wire harness from the bulb/socket assembly.
4. Plug the new bulb/socket assembly into the wire harness.
5. Align the tabs of the new bulb/socket assembly with the notches of the reflector and insert the bulb. Turn the bulb/socket assembly clockwise to lock in place.
6. Lower and secure hood.

Fuses

1. Unlatch and lift hood forward to get access to under the dash panel.
2. Remove fuse holder cover. See Fig. 7-2.

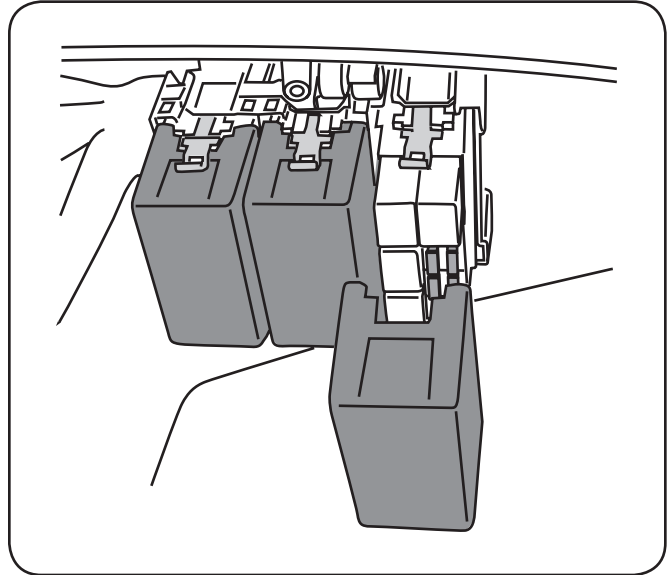


Figure 7-2

3. Remove the appropriate electrical fuse and replace with proper amperage fuse.
4. Lower and secure hood.

Wheels



WARNING: Using an unstable lifting device and vehicle support may result in bodily injury. Use a safe lifting device and supports to work on raised vehicle.

1. Stop the vehicle on a level surface and apply parking brake.
2. Turn the ignition key to the STOP position and remove the key.
3. Loosen but do not remove the five lug nuts from the axle hub. See Fig. 7-3.

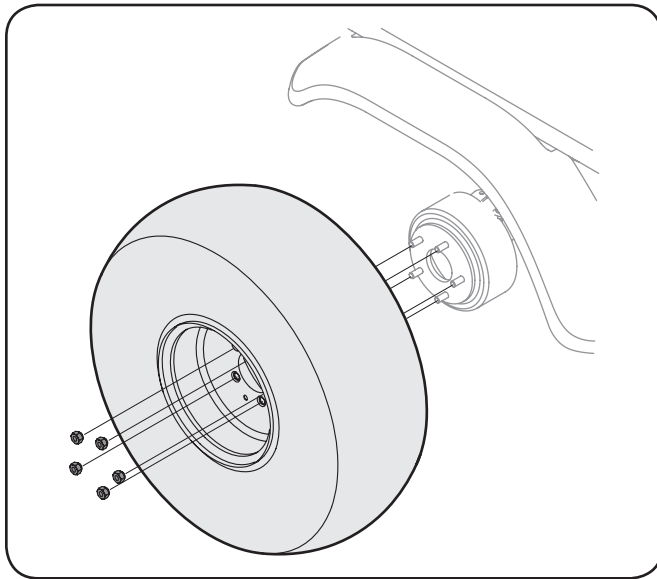


Figure 7-3

4. Raise rear/front of vehicle with a safe lifting device and place support stands under vehicle frame.



WARNING: When lifting the rear of the vehicle for any reason, DO NOT engage the rear wheels. Even if the 4x4 switch is in the OFF position, there is a possibility that the front wheels may engage if the rear wheels are spinning fast enough.

5. Remove the five lug nuts and the wheel. Place new wheel on the axle hub and secure with nuts.
6. Tighten nuts diagonally until snug.
7. Remove support stands and lower vehicle.
8. Finish tightening the nuts to 65-75 lb-ft using a torque wrench.

Changing Brake Pads



WARNING: Using an unstable lifting device and vehicle support may result in bodily injury. Use a safe lifting device and supports to work on raised vehicle.

To gain access to the brake pads, remove the wheel as described in the Wheel Section. If less than .030" of material remains on the pad, replace.

NOTE: Brake pads must be replaced as a set, i.e., right rear and left rear.

To change the brake pads, follow the steps below and refer to Fig. 7-4.

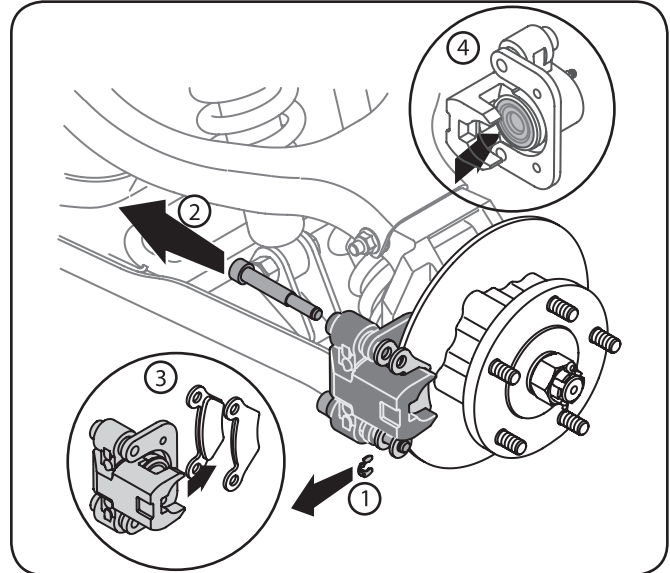


Figure 7-4

1. Remove clips at the end of the mounting bolts.
 2. Remove mounting bolts securing caliper and brake pads to mounting bracket.
 3. Remove brake pads from caliper and replace with new pads.
 4. Press in brake piston and place caliper and new brake pads into place in the mounting bracket, making sure brake disc is between the two brake pads.
- IMPORTANT:** When pressing in brake piston, take care not to damage rubber piston seal.
5. Secure caliper and brake pads to mounting bracket with mounting bolts and clips removed earlier. Torque the mounting bolts to 32 to 36 ft. lbs.
 6. Replace wheel as described in Wheel section.

Drive Belt

IMPORTANT: Several components must be removed in order to change the vehicle's drive belt. See your Cub Cadet Dealer to have your drive belt replaced.

Maintenance Schedule

	Before Each Use	First 10 Hours	Every 50 Hours	Every 100 Hrs. or Yearly	Every 500 Hrs. or 2 Yrs.	Service Dates
Check Transfer Case Oil				✓		
Change Transfer Case Oil*			✓			
Tighten Wheel Bolts		✓				
Lubricate Rear Knuckles †			✓			
Inspect OPS				✓		
Inspect Front and Rear Shocks				✓		
Inspect Ball Joints				✓		
Inspect CV Boots			✓			
Drain CVT Cover ††			✓		✓	

* Change at the first 50 hours, then again at 500 hours.

† Lubricate after each use if unit is run through water deeper than axle.

†† Drain after a deep water crossing (More than 12").

NOTE: For information regarding engine service, see the separate Engine Owner's Manual included with your unit.

NOTE: For parts or accessories, contact your local Cub Cadet dealer. To locate the dealer nearest you call 877-282-8684 or log onto www.cubcadet.com.

Description
Horn (Requires Accessory Harness)
Acrylic Windshield
Glass Windshield
Manual Wiper Kit
Electric Wiper Kit
Basic Lighting and Fuse Box Kit
Soft Roof w/Rear Window
Hard Roof
Soft Side Door Kit
Hard Side Door Kit
Light Bar (Requires Accessory Harness)
Winch (Requires Accessory Harness)
Hood Rack
Electrical Accessory Harness
Front Receiver

NOTE: Availability of these accessories are subject to change. Please see your local Cub Cadet service dealer for the latest information regarding accessories for your utility vehicle.

Specifications

NOTE: Specifications subject to change without notice.

Engine/Electrical	
Make	20HP** Kohler Command® V-Twin OHV
Type/ Cylinders	4 Cycle Gas/ 2 Cylinders
Displacement	38.0 cu. in. (624cc)
Maximum Torque	32.6 lb/ft @ 2600 RPM
Ignition	Transistor Controlled
Lubrication	Full Pressure w/ Filter
Speed (No Load)	1,300 RPM(idle)/ 3,600 RPM (fast)
Cooling System	Air
Air Cleaner	Replaceable, dual element
Battery	500 Cold Cranking Amps
Alternator	12 Volt-15 Amp Regulated
Headlights	Two, 37.5 Watt Incandescent
Wiring	Automotive - Style Fused Control System
Suspension	Front & Rear - Fully Independent Dual A-Arms with Coil Over Shocks

Transmission	
Type	Continuously Variable (CVT - w/ CVT Cover)
Differential Lock	Rear - Standard Hand Operated Front - Flip Switch in Dash
Drive Chain	N/A
Ground Speed	0-32 mph
Transaxle	Fully Enclosed, Oil Bath
Gear Selection	Forward Hi-Low, Neutral, Reverse
Overall Reduction Ratio	Low 23.8:1/ High 13.4:1
Rear Axle Housing	Cast Iron

Features	
Rear Hitch	Standard 2" Rear Receiver
Dual Cup Holders	Standard
Additional Storage	Dash Box
Power Port	12V, Dash Mounted
Front Bumper	Standard
Front Brush Guard	Standard - (Front bumper required)
Electric Bed Lift	Optional
Rubber Floor Mats	Optional
Horn	Optional

* As rated by engine manufacturer.

Dimensions	
Length/ Width	119" x 63.5"
Tread Center	F: 52" / R: 50"
Height (Overall)	78"
Wheelbase	78"
Weight (Including Fuel & Fluids)	1,650 lbs.
Ground Clearance (Under Transaxle)	9"
Ground Clearance (Under Footboard)	10.5"
Turn Clearance Circle	22.0 ft.
Bed	51 5/8" L x 42" W x 11 1/2" H

Operation	
Brake Type	Four Wheel 8" Hydraulic Disc
Parking Brake	Hand Operated Mechanical Disc
Steering	Rack & Pinion

Fuel System	
Capacity	7 Gallons
Low Fuel Indicator	Dash Mounted Indicator Light

Capacity	
Volume - Cargo Box	14.4 cu. ft.
Cargo Box Capacity	900 lbs.
Seating - Capacity/Type	2/ Professional High Back
Towing Capacity	1,300 lbs.
Payload Capacity**	1,300 lbs.

Ground Pressure (Max.)	
w/200 lb. Operator Only	N/A (Trail Tires)
Fully Loaded Vehicle	N/A (Trail Tires)

Cargo Box	
Material	16-Gauge Steel
Attachment	Rubber Isolated

Tires	
Trail Front	25" x 10" - 12"
Trail Rear	25" x 11" - 12"

** Includes 200 lb. operator, 200 lb. passenger, and maximum bed capacity.

Problem	Cause(s)
Engine will not start	<ol style="list-style-type: none"> 1. Battery has low voltage. 2. Loose or corroded battery connections. 3. Fuse is blown. 4. Spark plug wire is loose or disconnected. 5. Faulty spark plug or coil. 6. No Fuel or improper fuel. 7. Plugged fuel filter. 8. Defective starter solenoid. 9. Open-circuit in wiring.
Engine is difficult to start	<ol style="list-style-type: none"> 1. Engine is cold. 2. Plugged fuel filter. 3. Carburetor not adjusted properly or dirty. 4. Engine oil viscosity too heavy. 5. Spark plug is fouled. 6. Faulty spark plug or wire. 7. Loose or corroded electrical connections. 8. Stale or improper fuel. 9. Choke (if equipped) not being used or adjusted properly.
Engine misses under load	<ol style="list-style-type: none"> 1. Faulty spark plug. 2. Stale or dirty fuel. 3. Plugged fuel filter. 4. Faulty coil or wire.
Engine vapor locks	<ol style="list-style-type: none"> 1. Poor quality fuel. 2. Very hot weather conditions. 3. Fuel tank vent plugged. 4. Dirt in fuel filter.
Engine runs unevenly	<ol style="list-style-type: none"> 1. Loose electrical connections. 2. Choke (if equipped) or throttle cable sticking. 3. Fuel line or fuel filter plugged. 4. Stale or dirty fuel. 5. Improper fuel. 6. Air cleaner element plugged. 7. Carburetor not adjusted correctly. 8. Spark plug is fouled.

Continued on next page

Problem	Cause(s)
Engine overheats	<ol style="list-style-type: none"> 1. Air cleaner element missing or plugged. 2. Carburetor air intake tube plugged. 3. Engine oil low. 4. Engine operated too long at slow engine speed.
Engine knocks	<ol style="list-style-type: none"> 1. Low engine speed. 2. Stale or low octane fuel. 3. Engine overloaded.
Engine loses power	<ol style="list-style-type: none"> 1. Engine overheating. 2. Too much oil in engine. 3. Faulty spark plug. 4. Fuel supply being restricted. 5. Fuel filter plugged. 6. Fuel line pinched or kinked. 7. Fuel pump output not adjusted to specification. 8. Improper fuel. 9. Air cleaner element plugged.
Starter does not work	<ol style="list-style-type: none"> 1. Loose or corroded connections. 2. Low battery output 3. Sulfate or worn-out battery. 4. Faulty starter.
Starter cranks slowly	<ol style="list-style-type: none"> 1. Low battery output. 2. Sulfated or worn-out battery. 3. Engine oil too heavy. 4. Loose or corroded connections.
Entire electrical system does not work	<ol style="list-style-type: none"> 1. Blown fuse. 2. Loose or corroded connections. 3. Sulfated or worn-out battery.
Dead battery	<ol style="list-style-type: none"> 1. Shorted starter solenoid. 2. Key switch not turned to STOP position. 3. Sulfated or worn-out battery.
Battery light comes on when engine is running	<ol style="list-style-type: none"> 1. Low engine speed. 2. Faulty voltage regulator. 3. Faulty battery. 4. Faulty alternator 5. Grounded wire in circuit.
Indicator lights do not come on when key switch is in START position	<ol style="list-style-type: none"> 1. Faulty bulb. 2. Faulty wiring. 3. Faulty sensor.

Continued on next page

Problem	Cause(s)
Battery will not take a charge	<ol style="list-style-type: none"> 1. Dead battery. 2. Loose or corroded connections. 3. Sulfated or worn-out battery. 4. Fluid level low.
Difficult to shift	Gears not lined up. Flip throttle and let it return to idle. If still hard to shift, contact your nearest Cub Cadet dealer.

CALIFORNIA EMISSION CONTROL WARRANTY STATEMENT
YOUR WARRANTY RIGHTS AND OBLIGATIONS

The California Air Resources Board and MTD Consumer Group Inc are pleased to explain the evaporative emission control system warranty on your 2008 utility vehicle. In California, new utility vehicle must be designed, built and equipped to meet the State's stringent anti-smog standards. MTD Consumer Group Inc must warrant the EECS on your utility vehicle for the period of time listed below provided there has been no abuse, neglect or improper maintenance of your utility vehicle.

Your EECS may include parts such as the carburetor, fuel-injection system, the ignition system, catalytic converter, fuel tanks, fuel lines, fuel caps, valves, canisters, filters, vapor hoses, clamps, connectors, and other associated emission-related components.

Where a warrantable condition exists, MTD Consumer Group Inc will repair your utility vehicle at no cost to you including diagnosis, parts and labor.

MANUFACTURER'S WARRANTY COVERAGE:

This evaporative emission control system is warranted for two years. If any evaporative emission-related part on your equipment is defective, the part will be repaired or replaced by MTD Consumer Group Inc.

OWNER'S WARRANTY RESPONSIBILITIES:

As the utility vehicle owner, you are responsible for performance of the required maintenance listed in your owner's manual. MTD Consumer Group Inc recommends that you retain all receipts covering maintenance on your utility vehicle, but MTD Consumer Group Inc cannot deny warranty solely for the lack of receipts.

As the utility vehicle owner, you should however be aware that MTD Consumer Group Inc may deny you warranty coverage if your utility vehicle or a part has failed due to abuse, neglect, or improper maintenance or unapproved modifications.

You are responsible for presenting your utility vehicle to MTD Consumer Group Inc's distribution center or service center as soon as the problem exists. The warranty repairs should be completed in a reasonable amount of time, not to exceed 30 days. If you have a question regarding your warranty coverage, you should contact the MTD Consumer Group Inc Service Department at 1-800-800-7310.

GENERAL EMISSIONS WARRANTY COVERAGE:

MTD Consumer Group Inc warrants to the ultimate purchaser and each subsequent purchaser that the utility vehicle is: Designed, built and equipped so as to conform with all applicable regulations; and free from defects in materials and workmanship that cause the failure of a warranted part to be identical in all material respects to that part as described in MTD Consumer Group Inc's application for certification.

The warranty period begins on the date the utility vehicle is delivered to an ultimate purchaser or first placed into service. The warranty period is two years.

Subject to certain conditions and exclusions as stated below, the warranty on emission-related parts is as follows:

1. Any warranted part that is not scheduled for replacement as required maintenance in the written instructions supplied, is warranted for the warranty period stated above. If the part fails during the period of warranty coverage, the part will be repaired or replaced by MTD Consumer Group Inc according to subsection (4) below. Any such part repaired or replaced under warranty will be warranted for the remainder of the period.
 2. Any warranted part that is scheduled only for regular inspection in the written instructions supplied is warranted for the warranty period stated above. Any such part repaired or replaced under warranty will be warranted for the remaining warranty period.
 3. Any warranted part that is scheduled for replacement as required maintenance in the written instructions supplied is warranted for the period of time before the first scheduled replacement date for that part. If the part fails before the first scheduled replacement, the part will be repaired or replaced by MTD Consumer Group Inc according to subsection (4) below. Any such part repaired or replaced under warranty will be warranted for the remainder of the period prior to the first scheduled replacement point for the part.
 4. Repair or replacement of any warranted part under the warranty provisions herein must be performed at a warranty station at no charge to the owner.
 5. Notwithstanding the provisions herein, warranty services or repairs will be provided at all of our distribution centers that are franchised to service the subject engines or equipment.
 6. The utility vehicle owner will not be charged for diagnostic labor that is directly associated with diagnosis of a defective, emission-related warranted part, provided that such diagnostic work is performed at a warranty station.
 7. MTD Consumer Group Inc is liable for damages to other engine or equipment components proximately caused by a failure under warranty of any warranted part.
 8. Throughout the utility vehicle warranty period stated above, MTD Consumer Group Inc will maintain a supply of warranted parts sufficient to meet the expected demand for such parts.
 9. Any replacement part may be used in the performance of any warranty maintenance or repairs and must be provided without charge to the owner. Such use will not reduce the warranty obligations of MTD Consumer Group Inc.
 10. Add-on or modified parts that are not exempted by the Air Resources Board may not be used. The use of any non-exempted add-on or modified parts by the ultimate purchaser will be grounds for disallowing a warranty claims. MTD Consumer Group Inc will not be liable to warrant failures of warranted parts caused by the use of a non-exempted add-on or modified part.
-

WARRANTED PARTS:

The repair or replacement of any warranted part otherwise eligible for warranty coverage may be excluded from such warranty coverage if MTD Consumer Group Inc demonstrates that the utility vehicle has been abused, neglected, or improperly maintained, and that such abuse, neglect, or improper maintenance was the direct cause of the need for repair or replacement of the part. That notwithstanding, any adjustment of a component that has a factory installed, and properly operating, adjustment limiting device is still eligible for warranty coverage. The following emission warranty parts are covered:

(1) Fuel Metering System

- Cold start enrichment system (soft choke)
- Carburetor and internal parts
- Fuel pump
- Fuel tank

(2) Air Induction System

- Air cleaner
- Intake manifold

(3) Ignition System

- Spark plug(s)
- Magneto ignition system

(4) Exhaust System

- Catalytic converter
- SAI (Reed valve)

(5) Miscellaneous Items Used in Above System

- Vacuum, temperature, position, time sensitive valves and switches
- Connectors and assemblies

(6) Evaporative Control

- Fuel hose certified for ARB evaporative emissions 2008
- Fuel hose clamps
- Tethered fuel cap
- Carbon canister
- Vapor lines

CUB CADET LLC MANUFACTURER'S LIMITED WARRANTY FOR UTILITY VEHICLES

The limited warranty set forth below is given by Cub Cadet LLC with respect to new merchandise purchased and used in the United States, its possessions and territories, and by MTD Products Limited with respect to new merchandise purchased and used in Canada and/or its territories and possessions.

For non-commercial use: Cub Cadet warrants this product (excluding *Batteries*, as described below) against defects in material and workmanship for a period of two (2) years from the date of original retail purchase or lease.

For commercial uses and applications: Cub Cadet warrants this product (excluding *Batteries*, as described below) against defects in material and workmanship for a period of one (1) year from the date of original retail purchase or lease.

"Cub Cadet" will, at its option, repair or replace, free of charge, any part found to be defective in materials or workmanship. This limited warranty shall only apply if this product has been operated and maintained in accordance with the Operator's Manual furnished with the product, and has not been subject to misuse, abuse, neglect, accident, improper maintenance, alteration, vandalism, theft, fire, water, or damage because of other peril or natural disaster. Damage resulting from the installation or use of any part, accessory or attachment not approved by Cub Cadet for use with the product(s) covered by this manual will void your warranty as to any resulting damage.

Batteries have a one-year prorated limited warranty against defects in material and workmanship, with 100% replacement during the first three months. After three months, the battery replacement credit is based on the months remaining in the twelve (12) month period dating back to the original date of original sale or lease. Any replacement battery will be warranted only for the remainder of the original warranty period.

HOW TO OBTAIN SERVICE: Warranty service is available, WITH PROOF OF PURCHASE, through your local authorized service dealer. To locate the dealer in your area:

In the U.S.A.

To locate the dealer in your area, check your Yellow Pages, or contact Cub Cadet LLC at P.O. Box 361131, Cleveland, Ohio 44136-0019, or call 1-877-282-8684, or log on to our Web site at www.cubcadet.com.

In Canada

Contact MTD Products Limited, Kitchener, ON N2G 4J1, or call 1-800-668-1238 or log on to our Web site at www.mtdcanada.com.

This limited warranty does not provide coverage in the following cases:

- a. The engine or component parts thereof. These items may carry a separate manufacturer's warranty. Refer to applicable manufacturer's warranty for terms and conditions.

- b. Routine maintenance items such as lubricants, filters, tune-ups, brake adjustments, clutch adjustments and normal deterioration of the exterior finish due to use or exposure.
- c. Cub Cadet does not extend any warranty for products sold or exported outside of the United States and/or Canada, and their respective possessions and territories, except those sold through Cub Cadet's authorized channels of export distribution.
- d. Replacement parts that are not genuine Cub Cadet parts.
- e. Service completed by someone other than an authorized service dealer.
- f. Transportation charges and service calls.

No implied warranty, including any implied warranty of merchantability of fitness for a particular purpose, applies after the applicable period of express written warranty above as to the parts as identified. No other express warranty, whether written or oral, except as mentioned above, given by any person or entity, including a dealer or retailer, with respect to any product, shall bind Cub Cadet. During the period of the warranty, the exclusive remedy is repair or replacement of the product as set forth above.

The provisions as set forth in this warranty provide the sole and exclusive remedy arising from the sale. Cub Cadet shall not be liable for incidental or consequential loss or damage including, without limitation, expenses incurred for substitute or replacement lawn care services or for rental expenses to temporarily replace a warranted product.

Some states do not allow the exclusion or limitation of incidental or consequential damages, or limitations on how long an implied warranty lasts, so the above exclusions or limitations may not apply to you.

In no event shall recovery of any kind be greater than the amount of the purchase price of the product sold. **Alteration of safety features of the product shall void this warranty.** You assume the risk and liability for loss, damage, or injury to you and your property and/or to others and their property arising out of the misuse or inability to use the product.

This limited warranty shall not extend to anyone other than the original purchaser or to the person for whom it was purchased as a gift.

HOW STATE LAW RELATES TO THIS WARRANTY: This limited warranty gives you specific legal rights, and you may also have other rights that vary in different jurisdictions.

IMPORTANT: Owner must present Original Proof of Purchase to obtain warranty coverage.

**Cub Cadet LLC, P.O. BOX 361131 CLEVELAND, OHIO 44136-0019; Phone: 1-877-282-8684
MTD Canada Limited - KITCHENER, ON N2G 4J1; Phone 1-800-668-1238**