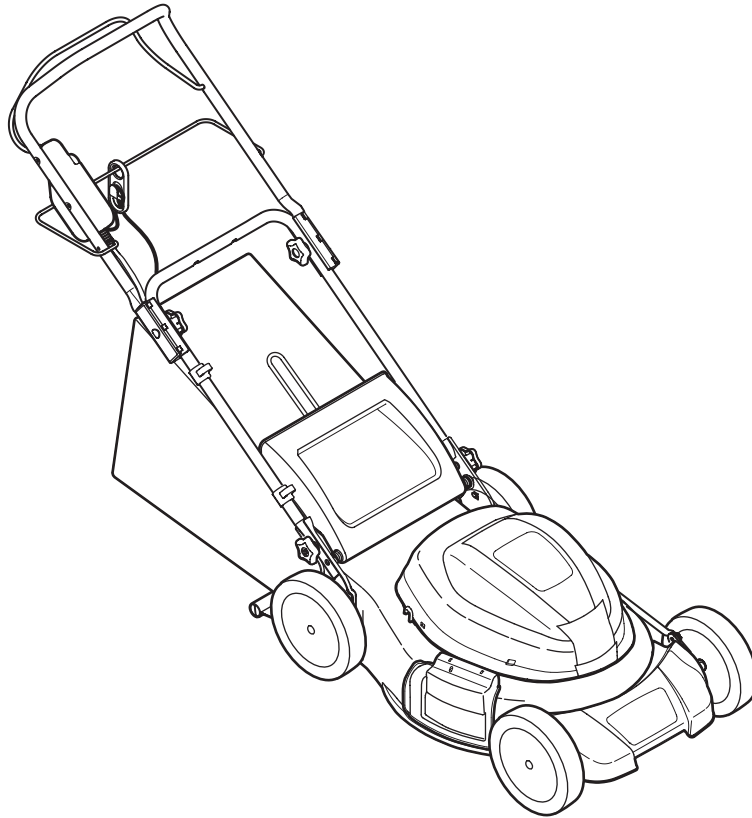


# OPERATOR'S MANUAL

## *Cub Cadet*®



### 19-Inch 3-n-1 Electric Lawn Mower — Model 182

---

**IMPORTANT:  
READ SAFETY RULES AND  
INSTRUCTIONS CAREFULLY  
BEFORE OPERATION**



This symbol on the product's nameplate means it is listed by UNDERWRITERS LABORATORIES INC.

This Operator's Manual is an important part of your new equipment. It will help you assemble, prepare and maintain the unit for best performance. Please read and understand what it says.


## Table of Contents

Slope Gauge.....	3
Safe Operation Practices .....	4
Set-Up & Adjustments.....	6
Operation.....	8
Maintenance & Off-Season Storage.....	10
Trouble Shooting .....	12
Warranty .....	13
Replacement Parts .....	14

## Finding and Recording Model Number

### BEFORE YOU START ASSEMBLING YOUR NEW EQUIPMENT,

please locate the model plate on the equipment and copy the the model number and the serial number to the sample model plate provided to the right. You can locate the model plate by standing at the operating position and looking down at the rear of the machine.

Model Number Numéro de modèle	Serial Number Numéro de série
XXX-XXXXXX	XXXXXXXXXXXX
 CUB CADET CANADA KITCHENER, ON N2G 4J1	

## Customer Support

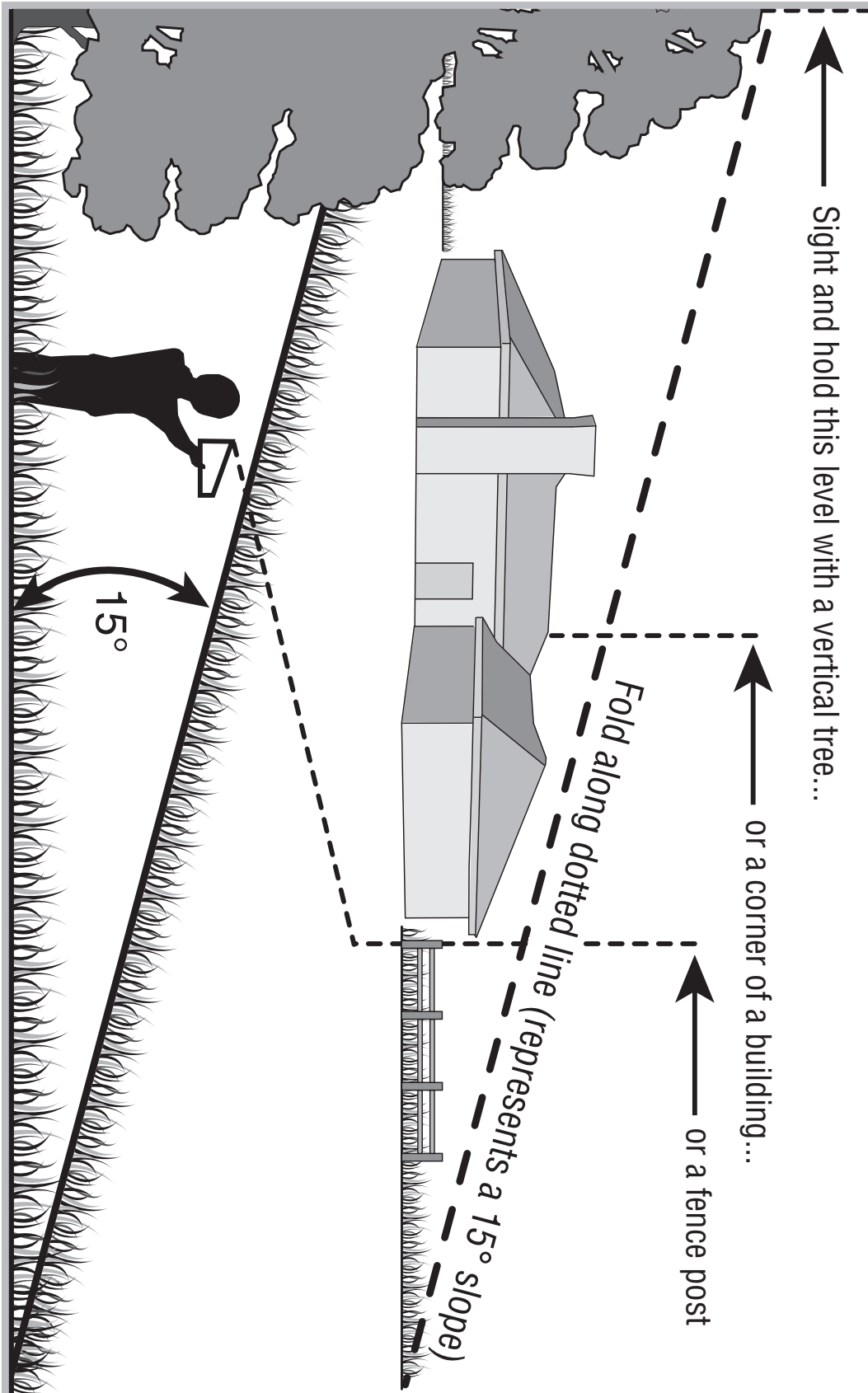
**Please do *NOT* return the unit to the retailer from which it was purchased, without first contacting Customer Support.**

If you have difficulty assembling this product or have any questions regarding the controls, operation or maintenance of this unit, you can seek help from the experts. Choose from the options below:

1. Visit [www.cubcadet.ca](http://www.cubcadet.ca) for many useful suggestions, click on Customer Support button.
2. Call a Customer Support Representative at **1-800-668-1238**.
3. The engine manufacturer is responsible for all engine-related issues in terms of performance, power-rating, specifications, warranty, and service. Depending on the engine manufacturer, more information is included in this publication or packed separately with this product.

Please have your unit's model number and serial number ready when you call. See previous section to locate this information. You will be asked to enter the serial number in order to process your call.

Use this page as a guide to determine slopes where you may not operate safely. **Do not operate** your lawn mower on such slopes.



# 1

## Slope Gauge



### WARNING

Do not mow on inclines with a slope in excess of 15 degrees (a rise of approximately 2-1/2 feet every 10 feet). A riding mower could overturn and cause serious injury. If operating a walk-behind mower on such a slope, it is extremely difficult to maintain your footing and you could slip, resulting in serious injury.

Operate RIDING mowers up and down slopes, never across the face of slopes.

Operate WALK-BEHIND mowers across the face of slopes, never up and down slopes.

# 2

## Safe Operation Practices



### WARNING

This symbol points out important safety instructions which, if not followed, could endanger the personal safety and/or property of yourself and others. Read and follow all instructions in this manual before attempting to operate this machine. Failure to comply with these instructions may result in personal injury. When you see this symbol.

**HEED ITS WARNING**

### Your Responsibility

Restrict the use of this power machine to persons who read, understand and follow the warnings and instructions in this manual and on the machine.



**WARNING:** When using electric lawnmowers, basic safety precautions should always be followed to reduce the risk of fire, electric shock, and personal injury. These basic precautions include the following:

**DANGER:** This machine was built to be operated according to the rules for safe operation in this manual. As with any type of power equipment, carelessness or error on the part of the operator can result in serious injury. This machine is capable of amputating hands and feet and throwing objects. Failure to observe the following safety instructions could result in serious injury or death.

### Children

Tragic accidents can occur if operator is not alert to presence of children. Children are often attracted to mower and mowing activity. They do not understand the dangers. Never assume that children will remain where you last saw them.

1. Keep children out of the mowing area and under watchful care of a responsible adult other than the operator.
2. Be alert and turn mower off if a child enters the area.
3. Before and while moving backwards, look behind and down for small children.
4. Use extreme care when approaching blind corners, doorways, shrubs, trees, or other objects that may obscure your vision of a child who may run into the mower.
5. Keep children away from hot or running engines. They can suffer burns from a hot muffler.
6. Never allow children under 14 years old to operate a power mower. Children 14 years old and over should read and understand operation instructions and safety rules in this manual and should be trained and supervised by a parent.

### General Operation:

1. Read this operator's manual carefully in its entirety before attempting to assemble this machine. Read, understand, and follow all instructions on the machine and in the manual(s) before operation. Be completely familiar with the controls and the proper use of this machine before operating it. Keep this manual in a safe place for future and regular reference and for ordering replacement parts.
2. This machine is a precision piece of power equipment, not a plaything. Therefore, exercise extreme caution at all times. Your unit has been designed to perform one job: to mow grass. Do not use it for any other purpose.
3. Don't force lawn mower - it will do the job better and safer at the rate for which it was designed.
4. Never allow children under 14 years old to operate this machine. Children 14 years old and over should read and understand the instructions in this manual and should be trained and supervised by a parent. Only responsible individuals who are familiar with these rules of safe operation should be allowed to use this machine.
5. Thoroughly inspect the area where the equipment is to be used. Remove all stones, sticks, wire, bones, toys and other foreign objects which could be tripped over or picked up and thrown by the blade. Thrown objects can cause serious personal injury. Plan your mowing pattern to avoid discharge of material toward roads, sidewalks, bystanders and the like. Also, avoid discharging material against a wall or obstruction which may cause discharged material to ricochet back toward the operator.
6. To help avoid blade contact or a thrown object injury, stay in operator zone behind handles and keep children, bystanders, helpers and pets at least 75 feet from mower while it is in operation. Stop machine if anyone enters area.
7. Always wear safety glasses or safety goggles during operation and while performing an adjustment or repair to protect your eyes. Thrown objects which ricochet can cause serious injury to the eyes.
8. Wear sturdy, rough-soled work shoes and close-fitting slacks and shirts. Shirts and pants that cover the arms and legs and steel-toed shoes are recommended. Never operate this machine in bare feet, sandals, slippery or light weight (e.g. canvas) shoes.
9. Do not put hands or feet near rotating parts or under cutting deck. Contact with blade can amputate hands and feet.
10. A missing or damaged discharge cover can cause blade contact or thrown object injuries.
11. Many injuries occur as a result of the mower being pulled over the foot during a fall caused by slipping or tripping. Do not hold on to the mower if you are falling; release the handle immediately.
12. Never pull the mower back toward you while you are walking. If you must back the mower away from a wall or obstruction first look down and behind to avoid tripping and then follow these steps:
  - a. Step back from mower to fully extend your arms.
  - b. Be sure you are well balanced with sure footing.
  - c. Pull the mower back slowly, no more than half way toward you.
  - d. Repeat these steps as needed.
13. Do not operate the mower while under the influence of alcohol or drugs.
14. Stay alert - Watch what you are doing. Use common sense. Do not operate lawn mower when you are tired.
15. The motor/blade control handle is a safety device. Never attempt to bypass its operation. Doing so makes the safety device inoperative and may result in personal injury through contact with the rotating blade. The motor/blade control handle must operate easily in both directions and automatically return to the disengaged position when released.
16. Never operate the mower in wet grass. Always be sure of your footing. A slip and fall can cause serious personal injury. If you feel you are losing your footing, release the motor/blade control handle immediately and the blade will stop rotating within three seconds.
17. Mow only in daylight or good artificial light. Walk, never run.
18. Stop the blade when crossing gravel drives, walks or roads.
19. If the equipment should start to vibrate abnormally, stop the engine and check immediately for the cause. Vibration is generally a warning of trouble.
20. Shut the motor off and wait until the blade comes to a complete stop before removing the grass catcher or unclogging the chute. The cutting blade continues to rotate for a few seconds after the motor is shut off. Never place any part of the body in the blade area until you are sure the blade has stopped rotating.

21. Never operate mower without proper trail shield, discharge cover, grass catcher, motor/blade control handle or other safety protective devices in place and working. Never operate mower with damaged safety devices. Failure to do so, can result in personal injury.
22. Ground Fault Circuit Interrupter (GFCI) protection should be provided on the circuit(s) or outlet(s) to be used for the lawn mower. Receptacles are available having built-in GFCI protection and may be used for this measure of safety.
23. To prevent electric shock use only with a UL listed extension cord set suitable for outdoor use, such as Type SW-A, SOW-A, STW-A, STOW-A, SJW-A, SJOW-A, SJTW-A, or SJTOW-A.
24. **Extension Cord**—Make sure your extension cord set is in good condition, is heavy enough to carry the current your lawn mower will draw.

MINIMUM WIRE SIZE FOR EXTENSION CORDS FOR 120 VOLT APPLIANCES USING 10 - 12 AMPS				
Cord Length (ft.)	25	50	100	150
Wire Size (AWG)	16	16	14	12

If in doubt, use the next heavier gauge cord. The smaller the gauge number, the heavier the cord. An undersized cord will cause a drop in line voltage resulting in loss of power and overheating. To reduce the likelihood of disconnection of the extension cord set from the mower, be sure to use the cord restraint provided as well as a modern, tightly fitting extension cord.

25. To reduce the risk of electric shock, this lawn mower has a polarized plug (one blade is wider than the other) and will require the use of a polarized extension cord. The mower plug will only fit into the polarized extension cord one way. If the plug does not fit fully into the extension cord, reverse the plug. If the plug still does not fit, obtain a correct polarized extension cord. A polarized extension cord will require the use of a polarized wall outlet. This plug will fit into the polarized outlet only one way. If the plug does not fit fully into the wall outlet, reverse the plug. If the plug still does not fit, contact a qualified electrician to install the proper wall outlet. Do not change the equipment plug, extension cord receptacle, or extension cord plug in any way.
26. If extension cord is damaged in any manner while plugged in, disconnect extension cord from house receptacle.
27. **Fuses**—The mower should be operated on a 15 or 20 AMP circuit. If difficulty in starting is experienced with a standard 15 AMP fuse or circuit breaker or the mower's built-in overload protection switch frequently trips, contact your nearest authorized service location. Do not use a higher rated fuse without consulting your power company.
28. Do not abuse the cord by pulling the mower by the cord or yanking it to disconnect it from the receptacle. Keep cord from heat, oil, and sharp edges.
29. Only use parts and accessories made for this machine by manufacturer. Failure to do so can result in personal injury.
30. If situations occur which are not covered in this manual, use care and good judgment. Telephone Customer Support for the name of your nearest dealer.

## Slope Operation:

Slopes are a major factor related to slip and fall accidents which can result in severe injury. Operation on slopes requires extra caution. If you feel uneasy on a slope, do not mow it. For your safety, use the slope gauge included as part of this manual to measure slopes before operating this unit on a sloped or hilly area. If the slope is greater than 15 degrees, do not mow it.

## Do:

1. Mow across the face of slopes; never up and down. Exercise extreme caution when changing direction on slopes.
2. Watch for holes, ruts, rocks, hidden objects, or bumps which can cause you to slip or trip. Tall grass can hide obstacles.
3. Always be sure of your footing. A slip and fall can cause serious personal injury. If you feel you are losing your balance, release the motor/blade control handle immediately, and the blade will stop rotating within three (3) seconds.

## Do Not:

1. Do not mow near drop-offs, ditches or embankments, you could lose your footing or balance.
2. Do not mow slopes greater than 15 degrees as shown on the slope gauge.
3. Do not mow on wet grass. Unstable footing could cause slipping.

## Service

1. When servicing use only identical replacement parts listed in this manual. "Use of parts which do not meet the original equipment specifications may lead to improper performance and compromise safety!"
2. Before cleaning, repairing, or inspecting, make certain the blade and all moving parts have stopped. Disconnect the power cord when not in use and to prevent unintended starting.
3. Follow instructions for lubricating and changing accessories.
4. Inspect lawn mower cord and extension cords periodically and replace immediately, if damaged. Lawn mower cord should be repaired by an authorized service facility only.
5. Keep handles dry, clean and free from oil and grease.
6. To reduce a fire hazard, keep the motor free of grass, leaves and debris build-up.
7. Check the blade and motor mounting bolts at frequent intervals for proper tightness. Also, visually inspect blade for damage (e.g., bent, cracked, and worn) Replace blade with the original equipment manufacturer's (OEM) blade only, listed in this manual.
8. Maintain your mower with care — Keep mower blade sharp and clean for best and safest performance. Mower blades are sharp and can cut, wrap the blade or wear gloves and use extra caution when servicing them.
9. Keep all nuts, bolts, and screws tight to be sure the equipment is in safe working condition.
10. Never tamper with safety devices. Check their proper operation regularly.
11. After striking a foreign object, stop the motor and disconnect the power cord. Thoroughly inspect the mower for any damage. Repair the damage before operating the mower.
12. Grass catcher components, discharge cover, and trail shield are subject to wear and damage which could expose moving parts or allow objects to be thrown. For safety protection, frequently check components and replace immediately with original equipment manufacturer's (OEM) parts only, listed in this manual.
13. When not in use, store lawn mower indoors in a dry area, locked-up and/or out of the reach of children.

## SAVE THESE INSTRUCTIONS!

# 2

## Safe Operation Practices



### WARNING



### Double Insulated Lawn Mower

Double insulation is a concept in the safety of electric lawn mowers, which eliminates the need for the usual three-wire grounded power cord and grounded power supply system. Wherever there is electric current in the mower, there are two complete sets of insulation to protect the user. All exposed metal parts are isolated from the internal metal motor components with protecting insulation.

**IMPORTANT:** Servicing of a lawn mower with double insulation requires extreme care and knowledge of the system and should be performed only by a qualified service technician. For repair service we suggest you take the lawn mower to your nearest authorized service dealer. Always use original factory replacement parts when servicing.

# 3

## Setup and Adjustment



**NOTE:** References to right or left side of the mower is determined from behind the unit in the operating position.

**NOTE:** Do not plug your extension cord into the power source receptacle (outlet) prior to routing it through the cord retainer and connecting the extension cord to the cultivator's cord outlet receptacle.

**NOTE:** Use a UL-approved extension cord. A 100-foot, 14-gauge cord is recommended. A 50-foot, 16-gauge cord is acceptable. Refer to the small chart found in Safe Operation Practices.

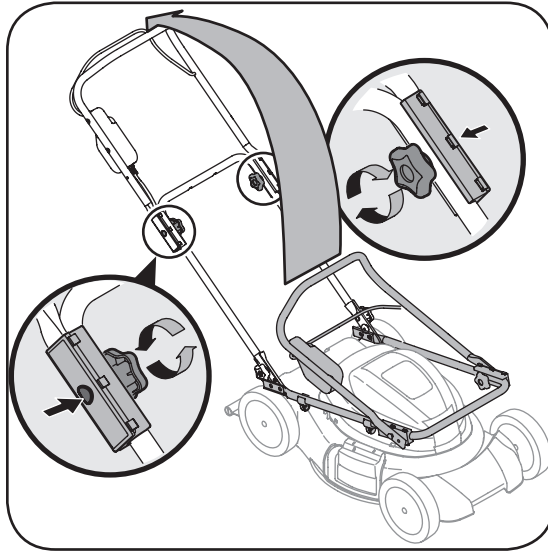


Figure 3-1

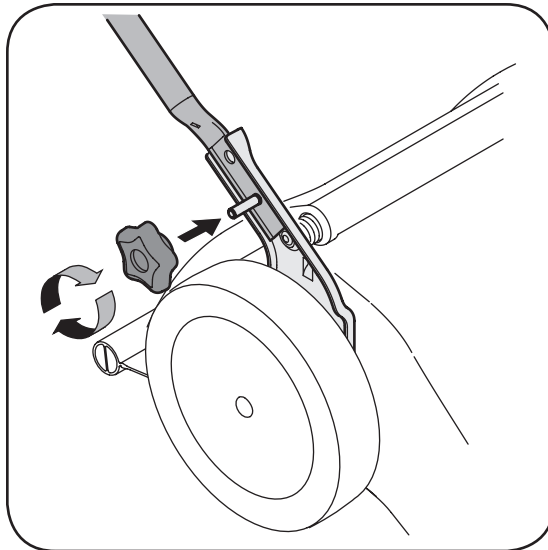


Figure 3-2

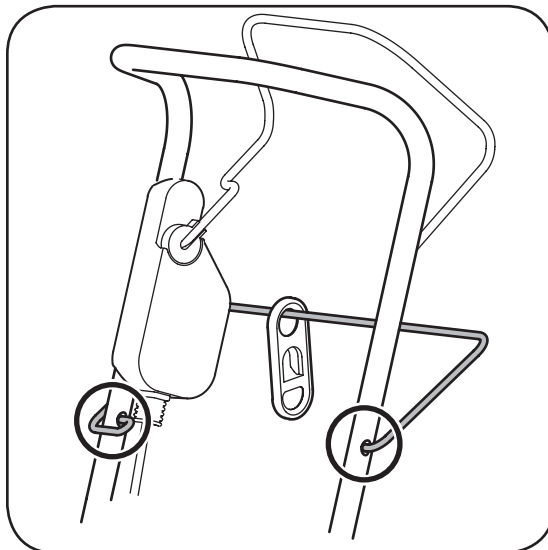


Figure 3-3

1. Remove any packing material which may be between upper and lower handles.
  - a. Loosen each hand knob found on the inside of the upper handle.
  - b. Gently lift and pivot the upper handle into the operating position as shown in Figure 3-1.
  - c. Remove star knobs from handle mounting brackets and secure the lower handle onto the handle brackets by placing the lower hole of the lower handle onto the pins of the handle brackets.
  - d. Secure the upper handle and lower handle by tightening the hand knobs. Each carriage bolt must be seated properly into the square hole found in the plastic connector.
2. Tighten star knobs securing lower handle to handle brackets. See Figure 3-2. Make certain the lower handle is seated securely into the handle mounting brackets.
3. Attach the cord guide bar with extension cord retainer to the upper handle as shown in Figure 3-3.

**NOTE:** Do not plug your extension cord into the power source receptacle (outlet) prior to routing it through the cord retainer and connecting the extension cord to the mower's cord outlet receptacle.

To properly route your extension cord through the cord retainer:

- a. Approximately 14- to 16-inches from its end, crease your extension cord to form a tight loop.
- b. Push the loop through the bottom hole in the cord retainer. See Figure 3-4a.
- c. Position the loop over the clip found on the cord retainer and pull down until the cord fits snugly into the clip. See Figure 3-4b.

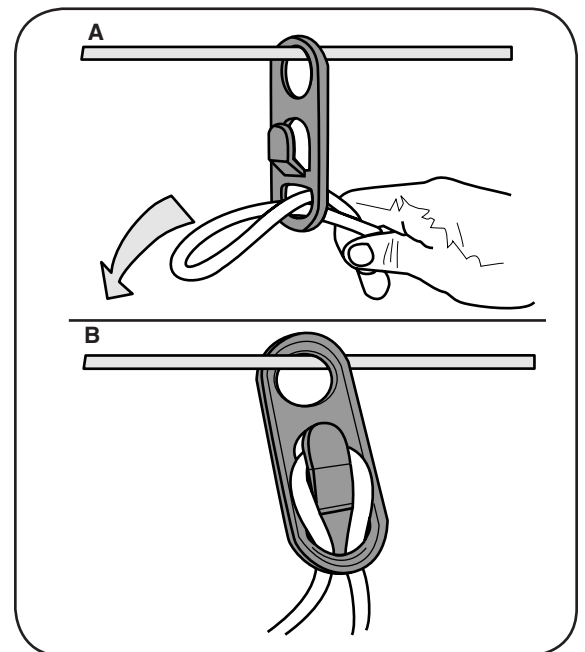


Figure 3-4

**NOTE:** Use a UL-approved extension cord. A 100-foot, 14-gauge cord is recommended. A 50-foot, 16-gauge cord is acceptable. Refer to the small chart found in Safe Operation Practices.

The cord retainer and the guide bar work together to secure your extension cord and safely limit its movement. The cord retainer (with the extension cord) will slide along the guide bar as the mower is moved to the left or to the right.

4. Follow steps below to assemble the grass catcher (if needed). Make certain bag is turned right side out before assembling (warning label will be on the outside).
  - a. Place bag over frame (black plastic side is the bottom of bag.) Insert the hooks on the frame through the holes in the side plastic channels of the bag. See Figure 3-5.
  - b. Secure bag to frame by working the plastic channels on bag over frame as shown in Figure 3-5.
  - c. All of the plastic channels except center top of bag attach from the outside of bag. Center top of bag attaches from the inside of bag.
5. Follow steps below to attach the grass catcher:
  - a. Lift rear discharge door.
  - b. Remove rear mulching baffle.
  - c. Place grass catcher on the pivot rod. Let go of discharge door so that it rests on the grass catcher. See Figure 3-6.

To remove the grass catcher, lift the rear discharge door on the mower. Lift the grass catcher up, off of the pivot rod. Release the rear discharge door to allow it to close rear opening of mower.

6. To convert to side discharge, make sure grass catcher is off of the unit and rear discharge door is closed.
  - a. On the side of the mower, lift the mulching plug.
  - b. Slide chute hooks under hinge pin on mulching plug assembly. Lower mulching plug. See Figure 3-7.

**NOTE:** Do not remove side mulching plug at any time, even when you are not mulching.



**WARNING:** Never operate mower unless the hooks on the grass catcher are firmly seated on the pivot rod and the rear discharge door rests firmly against top of the grass catcher.

#### CUTTING HEIGHT ADJUSTMENT LEVER

The adjuster is located above the left rear wheel. To adjust the cutting height, pull the lever out and away from the mower and then move it forward or back to select a new cutting height. See Figure 4-1.

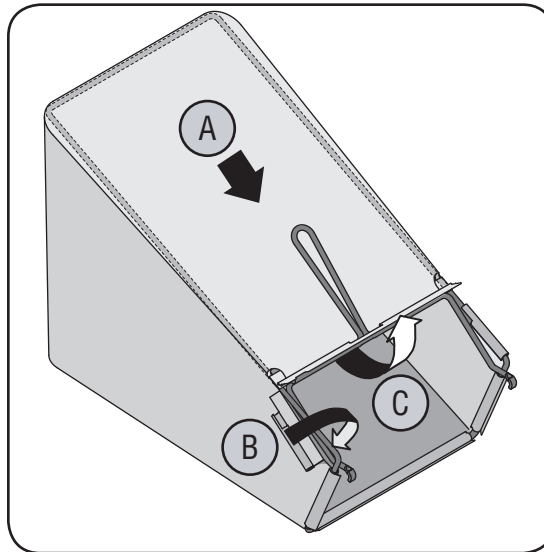


Figure 3-5

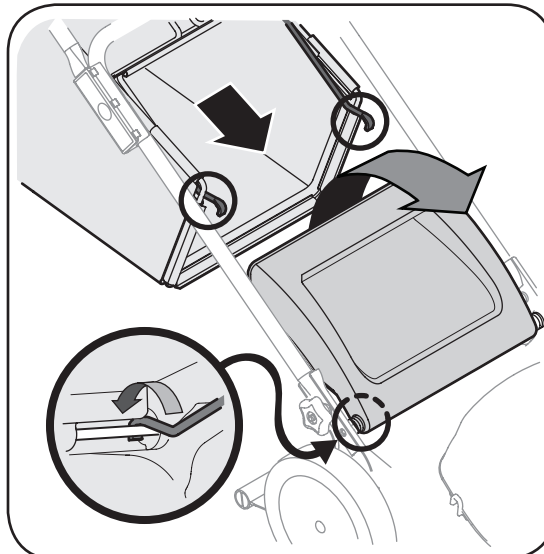


Figure 3-6

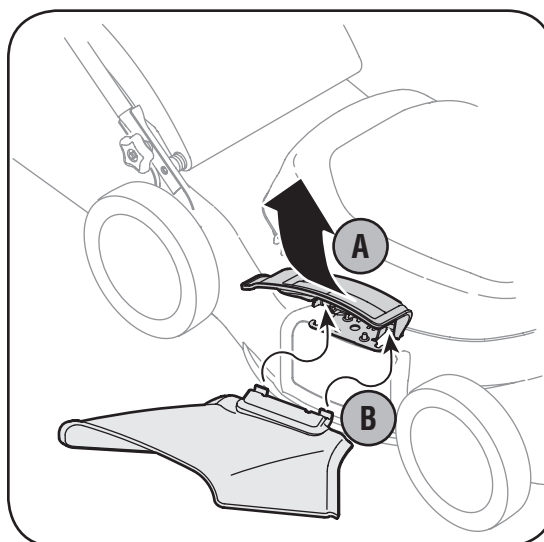


Figure 3-7

# 3

## Setup and Adjustment



### WARNING

Never operate mower unless the hooks on the grass catcher are firmly seated on the pivot rod, and the rear discharge door rests firmly against top of the grass catcher.

All mowers are equipped with a rear protective guard. The guard helps eliminate projectiles thrown by the blade from injuring the operator. **DO NOT REMOVE THIS GUARD.**

# 4

## Operating Your Lawn Mower



### WARNING

The motor/ blade control handle is a safety device. DO NOT bypass its operations.

This mower should be operated on a 15 or 20 AMP circuit. If you experience difficulty in starting with a standard 15 AMP fuse or circuit breaker, contact you nearest authorized service facility. Do not use a higher rated fuse or breaker without consulting your power company.

## Know Your Lawn Mower

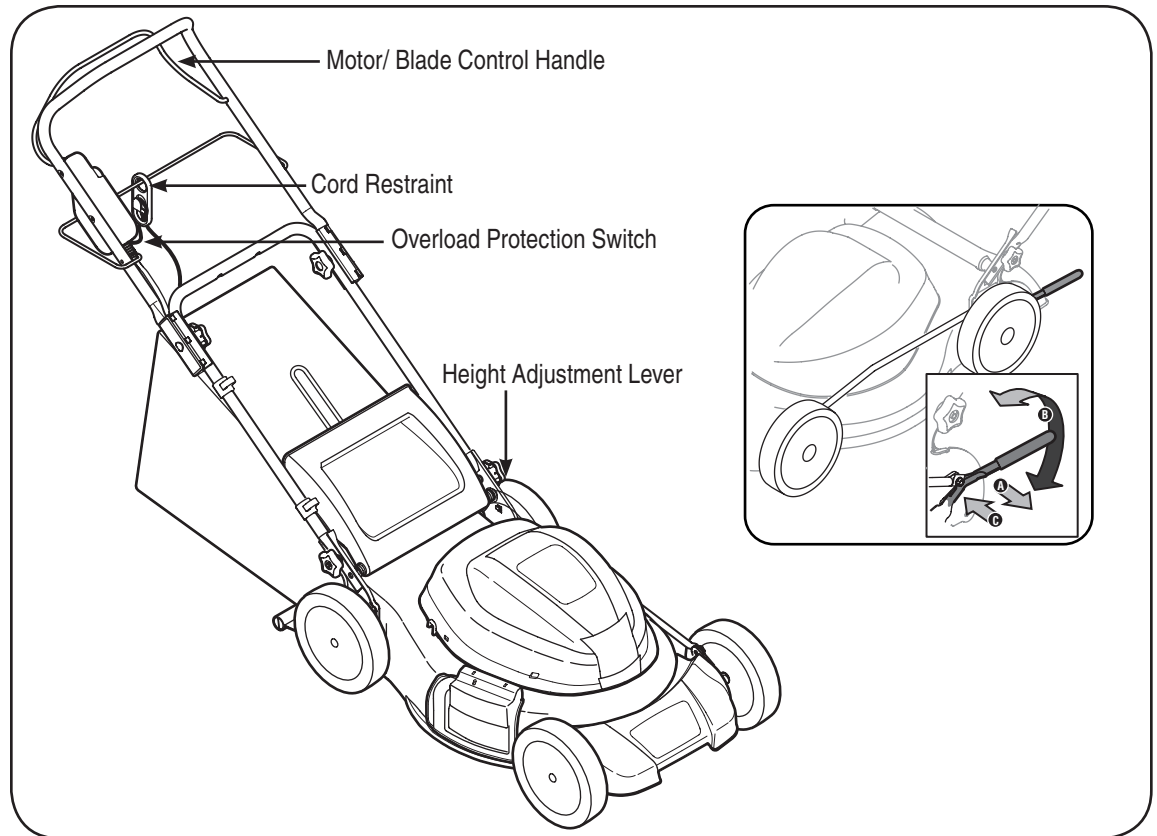


Figure 4-1

Read this operator's manual and safety rules before operating your lawn mower. Compare the illustration in Figure 4-1 with your lawn mower to familiarize yourself with the location of various controls and adjustments. Save this manual for future reference.

### Motor/Blade Control Handle

The motor/blade control handle is located on the upper handle of the mower. See Figure 4-1. The motor/blade control handle engages and disengages the motor and blade.



**WARNING:** The motor / blade control handle is a safety device. Never attempt to bypass its operations.

### Overload Protection Switch

The mower is equipped with a overload protection switch, located on the motor/blade control. Refer to Figure 4-3. This overload protection switch may pop out when too much strain is placed on the motor. Refer to Maintenance Section to reset this switch.

### Cord Restraint

The cord restraint is located on the back of the upper handle and when used properly, helps to protect the motor/blade control and extension cord powering the unit.

### Height Adjustment Lever

The cutting height adjustment lever is located above the left rear wheel. To adjust the cutting height, refer to the Setup & Adjustment Section.

### Starting Motor and Blade



**WARNING:** Avoid accidental starting. Make sure you are in the operating position behind the mower when using it. To avoid serious injury, the operator and unit should be in a stable position while starting.

### Connecting to an Electrical Power Source



**WARNING:** This mower should be operated on a 15 or 20 AMP circuit. If you experience difficulty in starting with a standard 15 AMP fuse or circuit breaker, contact you nearest authorized service facility. Do not use a higher rated fuse or breaker without consulting your power company.

**NOTE:** Connect your extension cord to the mower as instructed in the Set Up section prior to plugging your extension cord into an electrical outlet. Refer to Figure 4-2.

1. Plug your extension cord into any convenient (indoor or outdoor) 120-volt, 60-cycle AC outlet or receptacle. Your mower will operate satisfactorily on a circuit with a 15 ampere breaker.

**NOTE:** To avoid tripping circuit breakers, select an outlet on a circuit that is not overloaded. Do NOT select an outlet that is on a circuit hosting appliances such as a refrigerator.

2. Stand behind the mower, in the operating position.
3. Depress the (red) starter button and hold it in. See Figure 4-3.

**NOTE:** Starting the mower's motor also engages the blade.

4. While holding the starter button in, pivot the motor/blade control handle upward against the upper handle to start the motor and engage the blade. See Figure 4-3.

**NOTE:** The mower's motor will NOT start if you fail to hold the starter button in while pivoting the motor/blade control handle upward.

5. Release the (red) starter button.

### Stopping the Motor and Blade



**WARNING:** The blade continues to rotate for a few seconds after the motor is shut off. If motor does not come to a stop when the motor/blade control handle is released, contact an authorized service dealer.

To stop the motor and blade from spinning:

1. Release the blade/motor control handle from its position against the upper handle.
2. The motor will stop.

### Using Your Lawn Mower

- Be sure that lawn is clear of stones, sticks, wires, or other objects which could damage the lawn mower or motor. Such objects could be accidentally thrown by the mower in any direction and cause serious personal injury to the operator and others.



**WARNING:** If you strike a foreign object, stop the motor, and unplug from the power supply circuit. Thoroughly inspect the mower for any damage, and repair the damage before restarting and operating the mower. Excessive vibration of the mower during operation is an indication of damage. The unit should be promptly inspected and repaired.

- To prevent electric shock, do not operate the mower in damp or wet conditions.
- Always start from the point closest to the power source where the cord is connected. Never mow around the lawn in circles; travel back and forth across

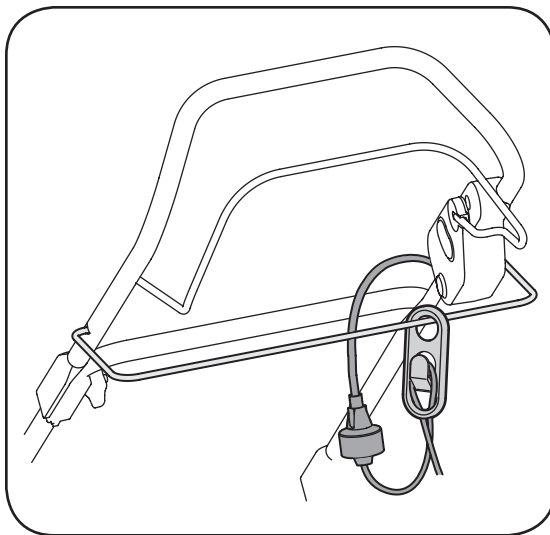


Figure 4-2

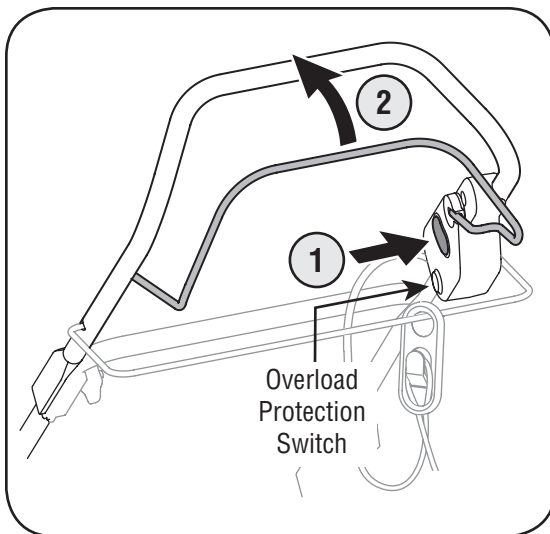


Figure 4-3

the lawn, starting from the point closest to the outlet and then moving away from the outlet so the cord lies in the cut portion of the lawn, out of the way.

- Do not allow the extension cord to wrap around trees, shrubs or other obstacles. When picking up the extension cord, wind the cord in a series of equal loops on each side of your hand to prevent snarling.

### Using as Mulcher

For mulching grass, remove the grass catcher from the mower. For effective mulching, do not cut wet grass. If the grass has been allowed to grow in excess of four inches, mulching is not recommended. Use the grass catcher to bag clippings instead.

### Using Grass Catcher

You can use the grass catcher to collect clippings while you are operating the mower. Refer to Setup section for instructions on attaching the grass catcher.

# 4

## Operating Your Lawn Mower



### WARNING

The blade continues to rotate for a few seconds after the motor is shut off. If motor does not come to a stop when the motor/blade control handle is released, contact an authorized service dealer.

If you strike a foreign object, stop the motor, and unplug from the power supply circuit. Thoroughly inspect the mower for any damage, and repair the damage before restarting and operating the mower. Excessive vibration of the mower during operation is an indication of damage. The unit should be promptly inspected and repaired.

# 5

## Maintaining Your Lawn Mower



### WARNING

Always stop the motor and disconnect from the power source before cleaning, lubricating or performing any repairs or maintenance on the lawn mower.

To reduce the risk of electric shock, do not expose the mower to water.

Never operate mower unless the rear flap is in place and working. Never operate mower with damaged safety devices. Failure to do so, can result in personal injury.

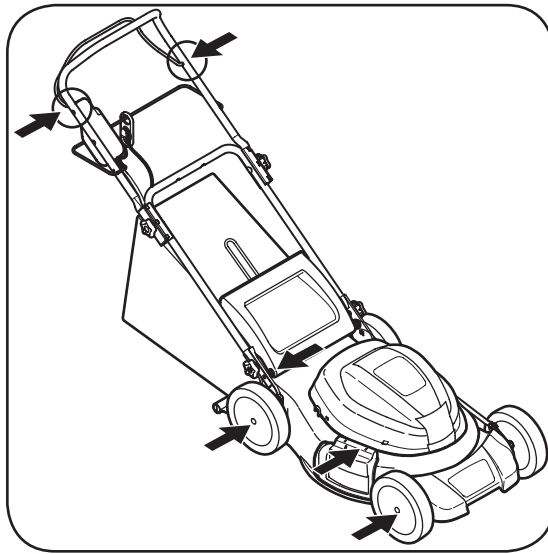


Figure 5-1

### General Recommendations

- Always observe safety rules when performing any type of maintenance.
- The warranty on this lawn mower does not cover items that have been subjected to operator abuse or negligence. To receive full value from warranty, operator must maintain the lawn mower as instructed here.
- All adjustments should be checked at least once each season.
- Periodically check all fasteners and make sure these are tight.



**WARNING:** Always stop the motor and disconnect from the power source before cleaning, lubricating or performing any repairs or maintenance on the lawn mower.

### Lubrication

- Lubricate the wheels at least once a season with light oil (or motor oil). If wheels are removed for any reason, lubricate surface of the pivot arm and inner surface of the wheel with light oil. See Figure 5-1.
- Lubricate the torsion spring and pivot point on the rear discharge door and side mulch plug periodically with light oil to prevent rust. See Figure 5-1.

### Deck Care



**WARNING:** To reduce the risk of electric shock, do not expose the mower to water.

The underside of mower deck should be cleaned after each use as grass clippings, leaves, dirt and other debris will accumulate. This accumulation of grass clippings, etc., is undesirable as it will promote rust and corrosion.

1. Remove any buildup of grass and leaves on or around the motor cover (do not use water). Wipe the mower clean with a dry cloth occasionally.
2. If debris is allowed to build up on the underside of the unit, tilt the mower forward or on its side and scrape it clean with a suitable tool.

**IMPORTANT:** Do not use a pressure washer or garden hose to clean your unit. These may cause damage to electric components, or the electric motor. The use of water will result in shortened life and reduce serviceability.

### Resetting Overload Protection Switch

This mower is equipped with an overload protection switch to prevent overheating damage to the motor.

If the overload protection switch pops out:

1. Release the motor/blade control handle and do NOT re-start the mower for at least one minute, allowing for the electric motor time to cool.
2. Press the overload protection switch inward to reset. See Figure 4-3 in Operation section.

If the overload protection switch pops out shortly after resetting:

1. Release the motor/blade control handle and do NOT re-start the mower for at least 15 minutes to allow the electric motor extra time to cool.
2. Press the overload protection switch inward to reset.
3. Restart unit.

**NOTE:** If the overload protection switch pops out repeatedly during operation or will not remain in when attempting to reset, contact your Authorized Service Center to arrange for repair.

### Rear Flap Replacement



**WARNING:** Never operate mower unless the rear flap is in place and working. Never operate mower with damaged safety devices. Failure to do so, can result in personal injury.

The rear flap is attached to the back of the mower deck, and is designed to minimize the possibility that objects will be thrown from the rear of the mower toward the operator. If the rear flap becomes damaged, replace as follows.

1. To remove the old rear flap, lift rear door, and press flap in on either side to remove from hole. See Figure 5-3.
2. Remove flap from opposite hole and replace with new flap following these steps in reverse order.

## Blade Care



**WARNING:** When removing the cutting blade for sharpening or replacement, protect your hands with a pair of heavy gloves or use a heavy rag to hold the blade. Be certain to disconnect the power supply.

Periodically inspect the blade adapter for cracks, especially if you strike a foreign object. Replace when necessary. Follow the steps below for blade service.

1. Stop the motor and disconnect the power supply to the mower. Turn the mower on its side.
2. Use a block of wood between blade and mower deck to prevent the blade from turning when the bolt is removed.
3. Loosen and remove the blade bolt, locking plate, and blade.
4. The blade may be resharpened by removing it and either grinding or filing the cutting edge keeping as close to the original bevel as possible. Do not attempt to sharpen the blade while it is still on the mower.
5. It is **extremely important** that each cutting edge receives an equal amount of grinding to prevent an unbalanced blade. The blade can be tested for balance by balancing it on a round shaft screwdriver. Remove metal from the heavy side until it balances evenly.

**NOTE:** Improper blade balance will result in excessive vibration causing eventual damage to the mower. Be sure to carefully balance blade after sharpening. Possible damage resulting from blade unbalance condition is not the responsibility of the manufacturer.

6. Place the cutting blade, locking plate, and blade bolt on the motor shaft and thread the blade bolt in finger tight. Refer to Figure 5-3.

**NOTE:** Make certain to replace the parts in the exact order in which they were removed. When installing the cutting blade, be sure it is installed with the curved ends pointing towards the mower deck and not towards the ground.

7. Torque the blade bolt down using a torque wrench to assure the bolt is tightened properly. The recommended torque for the blade bolt is 170-220 in. lbs.



**WARNING:** The blade hardware is not only used to attach the blade assembly, but is also an insulated safety device and should never be altered in any way. If replacement is necessary, use original equipment parts as shown in the parts list.

To insure safe operation of your unit, all nuts and bolts must be checked periodically for correct tightness.

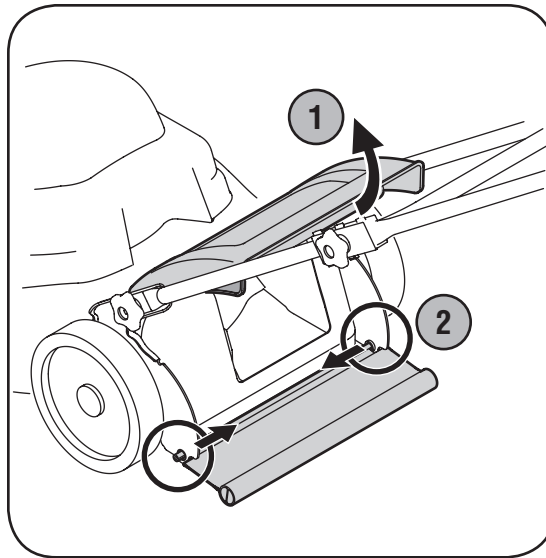


Figure 5-2

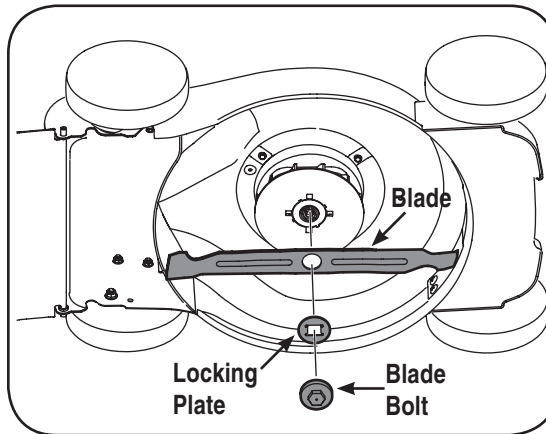


Figure 5-3

## Off-Season Storage

The following steps should be taken to prepare your lawn mower for storage.

- Clean and lubricate mower thoroughly as described in the lubrication instructions.
- We do not recommend the use of a pressure washer or garden hose to clean your unit.
- Make certain the power supply is disconnected.
- Coat mower's cutting blade with chassis grease to prevent rusting.
- Store mower in a dry, clean area. Do not store next to corrosive materials, such as fertilizer.
- Wipe extension cord to remove any foreign substance such as oil or stains. Replace extension cord if cut or damaged in any way.
- Wind cord in a series of equal loops on each side of your hand to prevent snarling.

# 5

## Maintaining Your Lawn Mower



### WARNING

When removing the cutting blade for sharpening or replacement, protect your hands with a pair of heavy gloves or use a heavy rag to hold the blade.

An unbalanced blade will cause excessive vibration when rotating at high speeds. It may cause damage to mower, and could break causing personal injury.

The blade hardware is not only used to attach the blade assembly, but is also an insulated safety device and should never be altered in any way. If replacement is necessary, use original equipment parts as shown in the parts list.

# 6

## Trouble Shooting



*For repairs beyond the minor adjustments listed here, contact an authorized service dealer.*

Problem	Cause	Remedy
Mower fails to start	<ol style="list-style-type: none"> <li>1. Cord disconnected from the motor/blade control.</li> <li>2. Motor/blade control switch defective.</li> <li>3. Extension cord not connected to the plug on the mower.</li> <li>4. Extension cord not connected to a source of power.</li> <li>5. Circuit breaker on the mower or in the house receptacle tripped.</li> </ol>	<ol style="list-style-type: none"> <li>1. Reconnect the cord keeping the cord restraint close to the motor/blade control.</li> <li>2. Replace motor/blade control switch.</li> <li>3. Connect the extension cord to the plug on the mower.</li> <li>4. Connect the extension cord to a 110-120 V 60 cycle A.C. receptacle.</li> <li>5. Reset the circuit breaker following instructions in the Operating Your Lawn Mower section of this manual.</li> </ol>
Circuit breaker on the mower tripping	<ol style="list-style-type: none"> <li>1. Too much workload on the mower.</li> <li>2. Fuse blown; outlet overloaded.</li> </ol>	<ol style="list-style-type: none"> <li>1. Raise the cutting height, reset the circuit breaker on the mower, take a smaller width of cut, and walk slowly.</li> <li>2. Connect to an outlet that is fused for 15 amperes. Reset the circuit breaker and start the mower again.</li> </ol>
Mower cutting grass unevenly	<ol style="list-style-type: none"> <li>1. Lawn rough or uneven.</li> <li>2. Cutting height not set properly.</li> </ol>	<ol style="list-style-type: none"> <li>1. Move the wheels to a higher cutting height position.</li> <li>2. All wheels must be placed in the same cutting height for the mower to cut evenly.</li> </ol>
Mower not mulching properly	<ol style="list-style-type: none"> <li>1. Wet grass clippings stick to the underside of the deck.</li> </ol>	<ol style="list-style-type: none"> <li>1. Wait till the grass dries before mowing.</li> </ol>
Hard to push	<ol style="list-style-type: none"> <li>1. High grass or cutting height too low.</li> <li>2. Rear of mower housing and blade dragging in heavy grass.</li> </ol>	<ol style="list-style-type: none"> <li>1. Raise cutting height.</li> <li>2. Raise cutting height.</li> </ol>
Mower vibrating at higher	<ol style="list-style-type: none"> <li>1. Bent motor shaft.</li> <li>2. Blade is loose or unbalanced.</li> <li>3. Blade loose.</li> </ol>	<ol style="list-style-type: none"> <li>1. Stop the motor, disconnect the power source and inspect for damage. Repair before restarting. If vibration persists, take it to a service dealer.</li> <li>2. Balance the blade by grinding each cutting edge equally.</li> <li>3. Tighten the blade to 170-220 in. lbs.</li> </ol>
Cord disconnects frequently	<ol style="list-style-type: none"> <li>1. Extension cord is not properly attached to the cord restraint.</li> <li>2. Old, worn, or loose extension cord.</li> </ol>	<ol style="list-style-type: none"> <li>1. Reconnect the extension cord to the cord restraint on the guide rod.</li> <li>2. Replace extension cord.</li> </ol>
Handle not in position.	<ol style="list-style-type: none"> <li>1. Carriage bolts not seated in the handle insulators.</li> </ol>	<ol style="list-style-type: none"> <li>1. Adjust the height of the handle and make sure that the carriage bolts are seated properly into the handle insulators. Tighten the hand knobs.</li> </ol>

## THREE YEAR LIMITED WARRANTY

The limited warranty set forth below is given by MTD Products Limited with respect to new merchandise purchased and used in Canada and/or its territories and possessions (either entity respectively, "MTD").

MTD warrants this product (excluding its normal wear parts as described below) against defects in material and workmanship for a period of three (3) years commencing on the date of original purchase and will, at its option, repair or replace, free of charge, any part found to be defective in materials or workmanship. This limited warranty shall only apply if this product has been operated and maintained in accordance with the Operator's Manual furnished with the product, and has not been subject to misuse, abuse, commercial use, neglect, accident, improper maintenance, alteration, vandalism, theft, fire, water, or damage because of other peril or natural disaster. Damage resulting from the installation or use of any part, accessory or attachment not approved by MTD for use with the product(s) covered by this manual will void your warranty as to any resulting damage.

Normal wear parts are warranted to be free from defects in material and workmanship for a period of thirty (30) days from the date of purchase. Normal wear parts include, but are not limited to items such as: batteries, belts, blades, blade adapters, grass bags, rider deck wheels, seats, snow thrower skid shoes, friction wheels, shave plates, auger spiral rubber, tires, engine oil, air filters and spark plugs.

**HOW TO OBTAIN SERVICE:** Warranty service is available, WITH PROOF OF PURCHASE, through your local authorized service dealer. To locate the dealer in your area contact MTD Products Limited, Kitchener, ON N2G 4J1, or call 1-800-668-1238 or log on to our Web site at [www.mtdcanada.com](http://www.mtdcanada.com).

This limited warranty does not provide coverage in the following cases:

- a. The engine or component parts thereof. These items may carry a separate manufacturer's warranty. Refer to applicable manufacturer's warranty for terms and conditions. The Cub Cadet OHV engine is not excluded under this agreement.
- b. Log splitter pumps, valves, and cylinders have a separate one-year warranty.
- c. Routine maintenance items such as lubricants, filters, blade sharpening, tune-ups, brake adjustments, clutch adjustments, deck adjustments, and normal deterioration of the exterior finish due to use or exposure.
- d. Service completed by someone other than an authorized service dealer.
- e. MTD does not extend any warranty for products sold or exported outside of Canada, including possessions and territories.
- f. Replacement parts that are not genuine MTD parts.
- g. Transportation charges and service calls.
- h. If Products are used commercially. (MTD may separately offer Limited Commercial Warranties on certain select products. Ask your dealer or retailer for details or contact MTD Service for more information.)

**No implied warranty, including any implied warranty of merchantability of fitness for a particular purpose, applies after the applicable period of express written warranty above as to the parts as identified. No other express warranty, whether written or oral, except as mentioned above, given by any person or entity, including a dealer or retailer, with respect to any product, shall bind MTD. During the period of the warranty, the exclusive remedy is repair or replacement of the product as set forth above.**

**The provisions as set forth in this warranty provide the sole and exclusive remedy arising from the sale. MTD shall not be liable for incidental or consequential loss or damage including, without limitation, expenses incurred for substitute or replacement lawn care services or for rental expenses to temporarily replace a warranted product.**

Some jurisdictions do not allow the exclusion or limitation of incidental or consequential damages, or limitations on how long an implied warranty lasts, so the above exclusions or limitations may not apply to you.

In no event shall recovery of any kind be greater than the amount of the purchase price of the product sold. **Alteration of safety features of the product shall void this warranty.** You assume the risk and liability for loss, damage, or injury to you and your property and/or to others and their property arising out of the misuse or inability to use the product.

This limited warranty shall not extend to anyone other than the original purchaser or to the person for whom it was purchased as a gift.

**HOW LOCAL LAWS RELATE TO THIS WARRANTY:** This limited warranty gives you specific legal rights, and you may also have other rights that vary in different jurisdictions.

**IMPORTANT:** Owner must present Original Proof of Purchase to obtain warranty coverage.

**MTD Products Ltd., P. O. BOX 1386, KITCHENER, ON N2G 4J1; Phone: 1-800-668-1238**

12.20.06

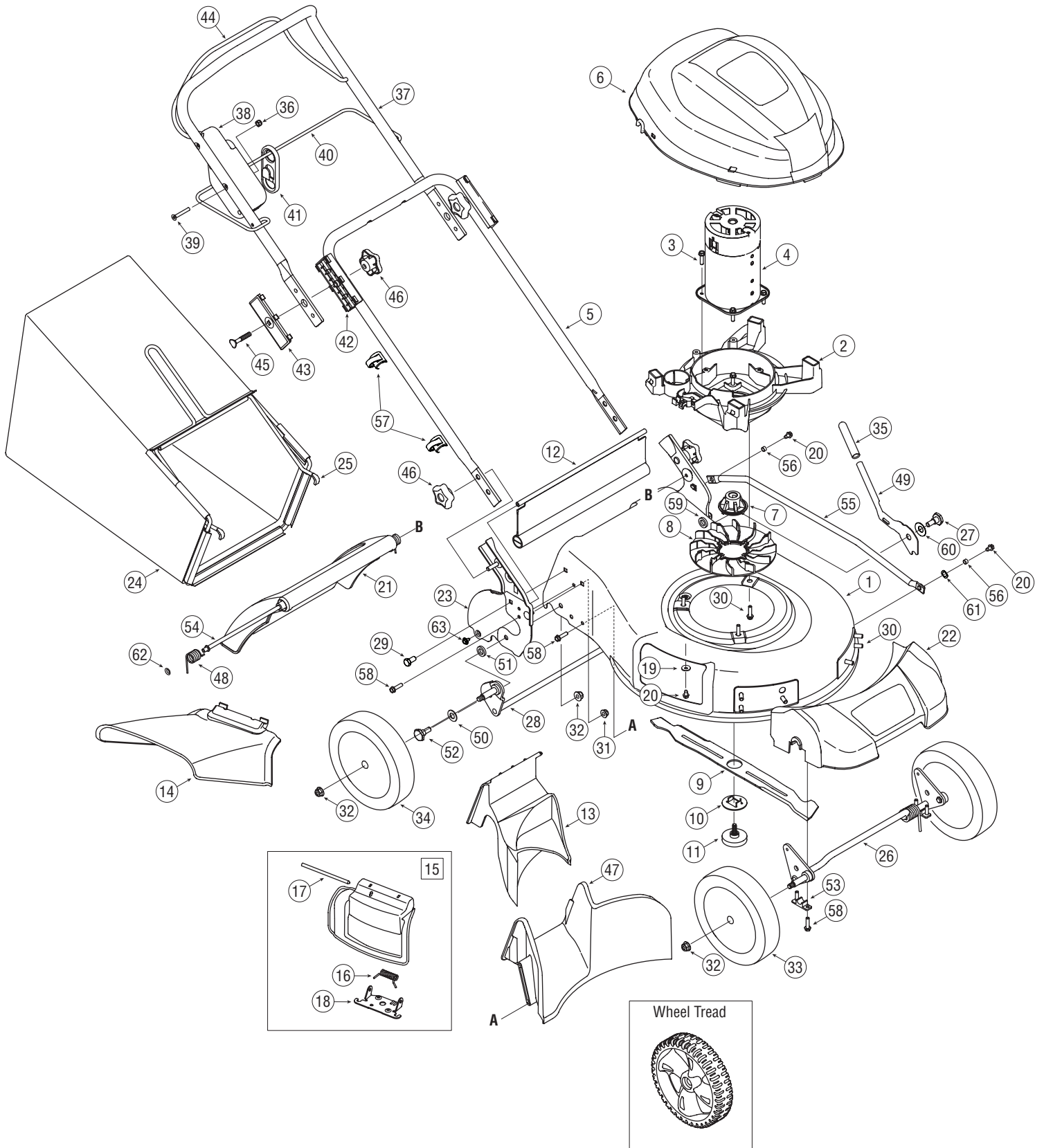
# 7

## Warranty



**Failure to comply with suggested maintenance and lubrication specifications will void warranty.**

Model/Modèle 182



REF NO. N° DE RÉF	PART NO. N° DE PIÈCE	DESCRIPTION	DESCRIPTION
1	687-01583	Deck 19"	Corps 19 po
2	731-05727	Motor Support	Support du moteur
3	710-0895	Screw	Vis
4	624-04010	Electric Motor 120V	Moteur électrique 120V
5	749-04312	Lower Handle	Guidon inférieur
6	731-05749	Motor Shroud	Capot
7	731-2095A	Blade Hub	Moyeu
8	731-05832	Electric Fan	Ventilateur
9	742-04152	Mulching Blade	Lame de déchiquetage
10	782-7051	Locking Plate	Plaque de blocage
11	624-0075	Screw, Blade	Vis-lame
12	731-05639A	Trailing Shield	Abattant de protection arrière
13	731-05746	Rear Mulch Plug	Plaque de déchiqueteuse arrière
14	731-04177	Side Discharge Deflector	Défecteur d'éjection latérale
15	687-02055	Mulch Plug	Plaque de déchiqueteuse
16	732-1014	Torsion Spring	Ressort de torsion
17	747-0710	Hinge Pin	Axe fixe
18	17032A	Chute Deflector Adapter	Adaptateur
19	736-0270	Bell. Washer .265 ID x .75 OD x .062	Rondelle Bell. 0,265 DI x 0,75 DE x 0,062
20	710-0599	Hex Wash S-Tapp Scr 1/4-20 x .50	Vis autotaraudeuse à rondelle hex. de 1/4-20 x 0,5
21	731-05686	Rear Door	Porte arrière
22	731-05634	Front Cover	Couvercle avant
23	687-02325	Handle Bracket Ass'y RH	Support de poignée - CD
	687-02324	Handle Bracket Ass'y LH	Support de poignée - CG
24	664-04078	Grass Bag	Sac à herbe
25	647-04107	Grass Bag Frame	Sac à herbe - bâti inférieur
26	687-02225	Front Bracket Assembly	Support avant
27	710-0148	Shoulder Screw .50 x .66	Vis à épaulement 0,50 x 0,66
28	687-02228	Rear Bracket Assembly	Support arrière
29	710-3025	Screw, 5/16-18 x .625	Vis 5/16-18 x 0,625
30	710-1242	Screw, 5/16-14 x .750	Vis 5/16-14 x 0,750
31	712-04063	Flange L-Nut 5/16-18	Contre-écrou à embase 5/16-18
32	712-04065	Flange L-Nut 3/8-16	Contre-écrou à embase 3/8-16
33	634-04346	Front Wheel	Roue avant
34	634-04347	Rear Wheel	Roue arrière
35	720-0230	Foam Grip	Poignée
36	712-0324	Hex L-Nut 1/4-20	Contre-écrou à six pans 1/4-20
37	749-04353	Upper Handle	Guidon supérieur
38	625-04035	Motor/Blade Control	Moteur/lame de la commande
39	710-04213	Flat Screw 1/4-20 x 1.75	Vis 1/4-20 x 1,75
40	747-1035	Guide Rod	Tige de guide
41	726-0368	Cord Restraint	Attache cable
42	731-05186	Lower Handle Insulator	Isolateur du guidon inférieur
43	731-05178	Upper Handle Insulator	Isolateur du guidon supérieur
44	747-04663	Motor/Blade Control Handle	Poignée de la commande du moteur et de la lame
45	710-1174	Carriage Bolt 5/16-18 x 2.0	Boulon ordinaire 5/16-18 x 2,0
46	720-04072	Star Knob	Bouton
47	731-05710	Rear Baffle	Défecteur arrière
48	732-04264	Door Torsion Spring - RH	Ressort de torsion CD
	732-04265	Door Torsion Spring - RH	Ressort de torsion CD
49	732-04377	Spring Lever	Levier de ressort
50	736-0272	Flat Washer .510 x 1.00 x .060	Rondelle plate 0,510 x 1,0 x 0,060
51	736-3069	Flat Washer .531 x .875 x .15	Rondelle plate 0,531 x 0,875 x 0,15
52	738-0507B	Shoulder Screw .50 Dia.	Vis à épaulement .50 Dia.
53	741-0492A	Bushing, Lock .505 Dia. x .62	Coussinet 0,505 diam. x 0,62
54	747-04589	Rear Door Pivot Rod	Tige de pivotement
55	749-04356	Cross Bracket	Support
56	750-04305A	Spacer, 6.60mm ID x 9mm OD	Entretoise, 6,60mm DI x 9mm DE
57	731-02422	Cable Guide	Câble de la guide
58	710-1241	Screw, 1/4-15 x 1.0	Vis, 1/4-15 x 1,0
59	731-05880	Spacer, .515 x 1.0 x .310 Lg.	Entretoise 0,515 x 1,0 x 0,310 po de lg.
60	736-0255	Bell. Washer .510 ID x 1.14 OD x .040	Rondelle Bell 0,510 DI x 1,14 DE x 0,040
61	736-3012A	Wave Washer .390 x .825 x .016	Rondelle 0,390 x 0,825 x 0,016
62	726-0201	Speed Nut	Écrou rapide
63	710-1268	Screw, #10-16 x .375	Vis no. 10-16 x 0,375

# 8

## Parts List Pièces détachées



For parts and/or accessories refer to customer support on page 2.  
Adressez-vous au «Service après-vente» à la page 2 pour ce qui concerne les pièces et/ou accessoires.

# GARANTIE LIMITÉE DE TROIS ANS

La garantie limitée ci-dessous est offerte par MTD Products Limited, pour toutes les marchandises achetées et utilisées au Canada et/ou ses territoires (l'une ou l'autre entité respectivement appelée « MTD »). « MTD » garantit que ce produit (à l'exception des pièces à usure normale énumérées ci-dessous) est exempt de tout vice de matière et de fabrication pour une durée de trois (3) ans à compter de la date de l'achat initial et s'engage à réparer ou à remplacer, gratuitement et à son choix, toute pièce qui s'avère défectueuse en raison d'un vice de matière ou de fabrication. Cette garantie limitée n'est applicable que si ce produit a été utilisé et entretenu conformément aux instructions de la notice d'utilisation qui l'accompagne. De plus, le produit ne doit pas avoir fait l'objet d'un emploi incorrect ou abusif, d'une utilisation à des fins commerciales, d'une négligence, d'un accident, d'un entretien incorrect, d'une modification, d'un acte de vandalisme, d'un vol, d'un incendie, d'une inondation ou de tout autre dégât causé par tout incident ou désastre naturel. Les dégâts causés par l'installation ou l'utilisation d'une pièce, d'un accessoire ou d'un équipement annexe, dont l'emploi avec le produit faisant l'objet de la notice d'utilisation n'est pas homologué par MTD, rendront la garantie nulle et non avenue.

Les pièces ou composants à usure normale sont garantis exempts de tout vice de matière et de fabrication pour une période de 30 jours à compter de la date d'achat. Les pièces et composants à usure normale comprennent, sans s'y limiter, les batteries, courroies, lames, adaptateurs de lame, sacs à herbe, roues du plateau de coupe des tondeuses à siège, sièges, patins de soufflées, roues de frottement, lames de racle, le caoutchouc de la tarrière et pneus, l'huile à moteur, les filtres à air et bougies.

**POUR FAIRE HONORER LA GARANTIE** : Présentez UNE PREUVE D'ACHAT à la station technique agréée de votre localité. Pour localiser une station technique agréée ou un concessionnaire dans votre région, adressez-vous à MTD Products Limited, Ontario, N2G 4J1 ou appelez le 1-800-668-1238 ou visitez notre site web au [www.mtdcanada.com](http://www.mtdcanada.com)

Cette garantie limitée ne couvre pas :

- Le moteur ou ses composants. Ces articles peuvent être couverts par une garantie séparée du fabricant. Consultez la garantie du fabricant quant aux conditions. Le moteur Cub Cadet à soupapes en tête n'est pas exclus aux termes de cette garantie.
- Les pompes, soupapes et pistons des fenduses à bois sont couverts par une garantie séparée d'un an.
- Les articles d'entretien courant tels que les lubrifiants, filtres, aiguillages de lame et révisions, les réglages de frein, de l'embrayage ou du plateau de coupe et la détérioration normale de la finition du fait de l'utilisation de la machine ou de son exposition aux intempéries.
- L'entretien ou les réparations effectuées par quiconque autre qu'une station technique agréée.
- MTD ne garantit pas les produits vendus ou exportés du Canada, de ses possessions et territoires.
- Les pièces de rechange si elles ne sont pas des pièces MTD authentiques.
- Les frais de transport des machines et de déplacement des techniciens.
- Les produits utilisés dans un but commercial. Certains produits peuvent être accompagnés d'une garantie limitée MTD séparée pour usage commercial. Renseignez-vous auprès du concessionnaire ou détaillant pour plus de détails ou adressez-vous directement au service après-vente de MTD.)

Aucune garantie tacite, y compris toute garantie de qualité marchande ou d'adaptabilité dans un but particulier, ne s'applique aux pièces identifiées ci-dessus après la période de vigueur de la garantie écrite expresse. Aucune autre garantie expresse, qu'elle soit verbale ou écrite, à l'exception des stipulations ci-dessus, offerte par toute personne ou entité (y compris un concessionnaire/revendeur), pour tout produit, n'engage MTD. Pendant la période de garantie, la réparation ou le remplacement du produit ci-dessus constitue le recours exclusif à la disposition du client.

Les stipulations énoncées dans cette garantie offrent le seul recours à la suite de la vente. MTD ne peut être tenue responsable pour toute perte ou tout dommage accessoire ou immatériel comprenant, sans s'y limiter, les frais de remplacement ou de substitution des services d'entretien des pelouses ou les frais de location pour remplacer temporairement un article sous garantie.

Certaines juridictions ne permettent pas l'inclusion ou la restriction des dommages accessoires ou matériels ou une limite à la durée de la garantie tacite. Par conséquent, les exclusions ci-dessus peuvent ne pas s'appliquer dans votre situation.

Le remboursement ou remplacement quel qu'il soit ne sera en aucun cas supérieur au montant du prix d'achat du produit vendu. **Toute modification des caractéristiques de sécurité rendra la garantie nulle et non avenue.** L'utilisateur assume tout risque et toute responsabilité en cas de perte, de dommage matériel ou de blessure résultant de l'utilisation incorrecte du produit ou de l'incapacité de l'employer.

Cette garantie limitée n'est offerte qu'à la personne à laquelle le produit a été offert en cadeau. Cette garantie limitée n'est offerte qu'à l'acheteur initial ou à la personne à laquelle le produit a été offert en cadeau. **LES LOIS LOCALES ET CETTE GARANTIE** : Cette garantie limitée vous accorde des droits juridiques spécifiques et vous pouvez bénéficier d'autres droits qui varient selon les juridictions.

**IMPORTANT** : Le propriétaire doit présenter le reçu original pour faire honorer la garantie.

MTD Products Ltd., C.P. 1386, Kitchener, Ontario N2G 4J1; téléphone: 1-800-668-1238

12.20.06

Garantie



Le non-respect des conseils d'entretien et de lubrification annule la garantie.

# 6

## Dépannage



**Pour toute réparation  
autre que les  
ajustements mineurs  
énumérés ici,  
adressez-vous à la  
station technique  
agréée.**

Problème	Cause	Solution
La tondeuse ne démarre pas	1. La rallonge est débranchée de la commande du moteur et de la lame. 2. La commande du moteur et de la lame ne fonctionne pas. 3. La rallonge est débranchée de la fiche de la tondeuse. 4. La rallonge est débranchée de la prise de courant. 5. Le disjoncteur du circuit est déclenché ou la prise de courant est surchargée.	1. Rebrancher la rallonge à la tondeuse et s'assurer que la retenue de fil électrique est assés près de la fiche. 2. Faire remplacer la commande du moteur et de la lame. 3. Rebrancher la rallonge à la fiche de la tondeuse. 4. Rebrancher la rallonge dans une prise de courant sur un circuit de 110-120 volts, 60 Hz, C. A. 5. Réenciencher le disjoncteur de la section Utilisation.
Le disjoncteur de la tondeuse se déclenche constamment.	1. Le moteur est surchargé. 2. Fusible sauté, prise surchargée.	1. Accroître la hauteur de coupe, réduire la cadence ou réduire la largeur des rangées de coupe. 2. S'assurer que la prise de courant fait partie d'un circuit d'au moins 15 A. Réenciencher le disjoncteur du circuit.
La tonte est inégale.	1. Le terrain est accidenté ou cahoteux. 2. La hauteur de coupe n'est pas la même sur les quatre roues.	1. Accroître la hauteur de coupe. 2. Régler les quatre roues à la même hauteur.
Le déchiquetage est inadéquat.	1. Les brins d'herbe mouillés collent sous le plateau de coupe. 1. L'herbe est trop haute ou la hauteur de coupe est trop basse. 2. L'arrière de la tondeuse traîne dans l'herbe haute.	1. Attendre que l'herbe sèche avant de procéder à la tonte. 1. Accroître la hauteur de coupe. 2. Accroître la hauteur de coupe.
Le moteur fait vibrer la tondeuse de façon excessive.	1. L'arbre du moteur est tordu. 2. La lame est déséquilibrée.	1. Arrêter le moteur, débrancher la rallonge de la prise de courant et inspecter la tondeuse. Si la vibration persiste, faire réparer la tondeuse dans une station technique agréée. 2. Equilibrer la lame en meulant le côté le plus lourd.
La rallonge se débranche souvent.	1. La rallonge n'est pas bien attachée sur la retenue. 2. La rallonge est vieille, usagée ou trop lâche.	1. Rebrancher la rallonge sur la retenue sur la tige de guidage. 2. Remplacer la rallonge.
La position du guidon est incorrecte.	1. Les boulons ordinaires ne sont pas bien placés dans les isolateurs du guidon.	1. Régler la hauteur du guidon et s'assurer que les boulons ordinaires sont bien placés dans les isolateurs du guidon. Resserrer les boutons.

# 5

## Entretien



### AVERTISSEMENT

Portez toujours des gants épais ou utilisez un chiffon épais pour manipuler la lame pour l'aiguiser ou la remplacer.

Une lame déséquilibrée cause des vibrations excessives qui peuvent endommager le moteur à régime élevé. Une lame déséquilibrée peut endommager la tondeuse, peut se briser et causer des blessures corporelles.

La boulonnerie de la lame ne sert pas seulement à la maintenir en place ; elle fait partie du système d'isolation double de la tondeuse et ne doit pas être modifiée. Si un remplacement est nécessaire, assurez-vous d'utiliser des pièces d'origine indiquées dans la liste des pièces détachées.

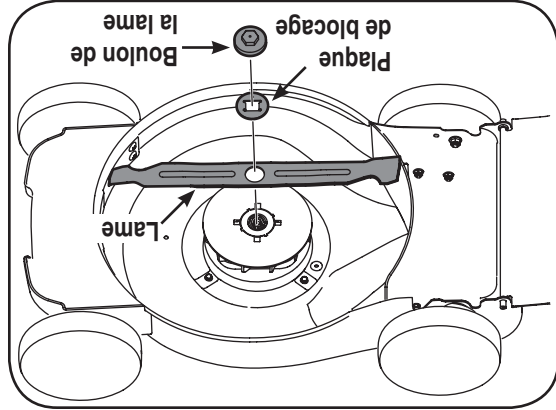


Figure 5-3

7. Serrez le boulon avec une clé dynamométrique. Le couple de serrage recommandé est entre 170-220 po-lb.



**AVERTISSEMENT:** La plaque de blocage et le boulon ne servent pas seulement à la fixation de la lame ; ils font partie du système d'isolation double de la tondeuse et ne doivent être modifiés d'aucune façon. Si la plaque de blocage et le boulon doivent être remplacés, assurez-vous d'utiliser des modèles identiques (voir la liste des pièces de rechange).

### Remisage hors saison

Pour garantir une utilisation sécuritaire de votre tondeuse, vérifiez régulièrement que tous les boulons et écrous sont bien serrés.

- Procédez de la manière suivante pour préparer votre tondeuse pour un entreposage prolongé : Nettoyez et lubrifiez soigneusement la tondeuse selon les instructions de lubrification.
- L'utilisation d'un appareil de nettoyage sous pression ou d'un boyau d'arrosage pour nettoyer la tondeuse est déconseillée.
- Assurez-vous que la tondeuse est débranchée de la prise de courant murale.
- Enduisez la lame de la tondeuse d'une graisse à châtis pour l'empêcher de rouiller.
- Entrez la tondeuse dans un endroit sec et propre. Ne la remisez pas près de produits corrosifs, comme des engrais.
- Essayez la rallonge pour éliminer les taches et les substances étrangères. Remplacez-la si elle présente des coupures ou tout autre dommage.
- Enroulez la rallonge pour l'empêcher de s'emboîter.

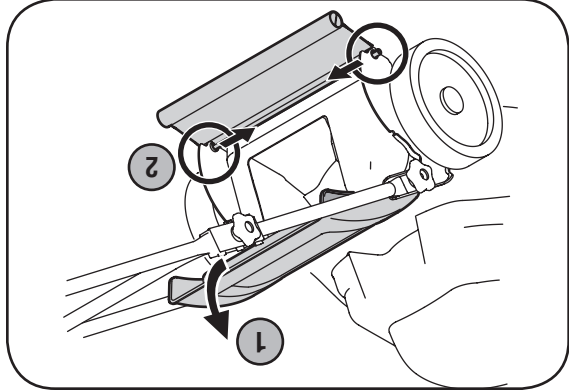


Figure 5-2

### Entretien et remplacement de la lame

**AVERTISSEMENT:** Débranchez la rallonge de la prise de courant avant de procéder au remplacement de la lame.



En enlevant la lame ou la courroie, portez toujours des gants épais ou utilisez un chiffon épais pour tenir la lame.

Examinez périodiquement l'adaptateur de lame pour y détecter tout fendillement éventuel, surtout après avoir heurté un objet. Remplacez-le au besoin. Procédez comme suit pour l'entretien de la lame :

1. Arrêtez le moteur et débranchez la rallonge de la prise de courant. Tournez la tondeuse et laissez-la reposer sur le côté.
2. Pour permettre le dévissage du boulon, bloquez la rotation de la lame avec un morceau de bois.
3. Desserrez et retirez le boulon de la lame, la plaque de blocage, et la lame.
4. Pour l'affûter à nouveau, démontez-la puis meulez ou limpez les bords tranchants en maintenant l'angle aussi près que possible du biseau original. N'essayez pas d'aiguiser la lame encore installée sur la tondeuse.
5. Il est **essentiel** que chaque tranchant soit affûté également pour ne pas avoir une lame déséquilibrée. Vous pouvez vérifier l'équilibre de la lame en la plaçant sur un tournevis à tige ronde. Limez le métal du côté le plus lourd jusqu'à ce que la lame soit parfaitement équilibrée.

**REMARQUE:** Une lame déséquilibrée cause des vibrations excessives qui peuvent endommager le moteur à régime élevé. Une lame déséquilibrée peut endommager la tondeuse, peut se briser et causer des blessures corporelles. Le fabricant de la tondeuse ne peut être tenu responsable des dégâts causés par le mauvais équilibre de la lame.

6. Mettez la lame sur le moyeu, la plaque par-dessus la lame et vissez le boulon à la main (voir la Figure 5-3).

**REMARQUE:** Réinstallez toutes les pièces exactement dans le même ordre qu'à l'origine. Les extrémités courbées de la lame doivent pointer vers le plateau de coupe de la tondeuse et non vers le sol.

2. S'il y a de l'herbe accumulée sous le plateau de coupe, laissez reposer la tondeuse sur le côté et enlevez l'herbe en la râclant avec un outil adéquat. **IMPORTANT:** N'utilisez pas un appareil de nettoyage sous pression ni un boyau d'arrosage pour nettoyer votre machine. Cela risque en effet d'endommager les composants électriques, les fusées, les poulies, les roulements ou le moteur. L'emploi d'eau a tendance à raccourcir la vie de la tondeuse et à limiter sa facilité d'entretien.

### Remise à zéro du disjoncteur

Cette tondeuse est équipée d'un disjoncteur qui empêche les dégâts causés par la surchauffe au moteur. Si le disjoncteur saute :

1. Lâchez la commande du moteur et de la lame et ne remettez pas le moteur en marche avant au moins une minute, pour que le moteur électrique ait le temps de refroidir.
2. Poussez sur le commutateur du disjoncteur pour le remettre à zéro. Voir la Figure 4-3 dans le chapitre « Utilisation ».

Si le disjoncteur saute peu de temps après sa remise à zéro :

1. Lâchez la commande du moteur et de la lame et ne remettez pas le moteur en marche avant au moins 15 minutes, pour que le moteur électrique ait davantage de temps pour refroidir.
2. Poussez sur l'interrupteur du disjoncteur pour le remettre à zéro.
3. Remettez la tondeuse en marche.

**REMARQUE :** Si le disjoncteur saute de façon répétée pendant l'emploi de la tondeuse ou s'il ne reste pas enfoncé en cas de tentative de remise à zéro, adressez-vous à la station technique agréée la plus proche pour faire réparer la tondeuse.

### Remplacement du déflecteur arrière

**AVERTISSEMENT:** N'utilisez jamais la tondeuse si le clapet arrière n'est pas installé ou ne fonctionne pas correctement. N'utilisez jamais la tondeuse si les dispositifs de sécurité sont endommagés. Le non-respect de ces consignes peut entraîner des blessures corporelles.



Il est installé sur l'arrière du plateau de coupe et a pour but de minimiser les risques de projection d'objets vers le conducteur. Remplacez le déflecteur arrière comme suit s'il est endommagé.

1. Pour démonter le déflecteur arrière usagé, soulevez le clapet arrière et pressez sur chaque côté du déflecteur pour le dégager des trous. Voir la Figure 5-2.
2. Dégagez le déflecteur du trou opposé et remplacez-le par le déflecteur neuf en appliquant les instructions dans l'ordre inverse.

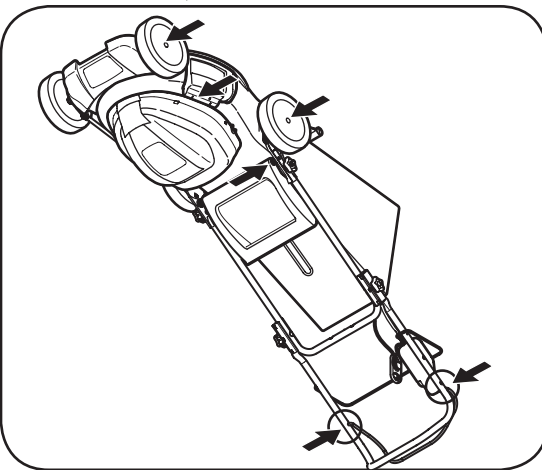


Figure 5-1

### Recommandations d'ordre général

- Suivez toujours les consignes de sécurité lors de tout entretien.

- La garantie de cette tondeuse ne s'applique pas à toute pièce qui a fait l'objet d'un emploi abusif ou d'une négligence. Pour bénéficier au maximum de la garantie, l'utilisateur doit entretenir la tondeuse conformément aux instructions de cette notice.

- Vérifiez tous les réglages au moins une fois par saison.
- Vérifiez régulièrement que toute la boulonnerie est bien serrée.



**AVERTISSEMENT:** Arrêtez le moteur et débranchez la rallonge de la prise de courant avant de procéder à toute opération de nettoyage, de réparation ou d'inspection.

### Lubrification

- Lubrifiez des roues au moins une fois par saison avec de l'huile fluide. Toutefois, si elles doivent être démontées pour une raison quelconque, lubrifiez la surface du boulon d'essieu et la surface intérieure de la roue avec une huile automobile légère. Voir la Figure 5-1.

- Le ressort de torsion et le point de pivotement sur le clapet arrière doivent être lubrifiés régulièrement avec une huile légère pour empêcher la rouille. Voir la Figure 5-1.

### Entretien du plateau de coupe



**AVERTISSEMENT:** Pour réduire les risques de choc électrique, n'exposez jamais la tondeuse à l'eau.

Le dessous du plateau de coupe de la tondeuse doit être nettoyé après chaque utilisation. En effet, les accumulations d'herbe et d'autres débris peuvent favoriser la corrosion.

1. Éliminez toute accumulation d'herbe sur le couvercle moteur avec un linge sec. N'utilisez jamais d'eau pour nettoyer le couvercle-moteur.

## AVERTISSEMENT



## Entretien

# 5

**Arrêtez le moteur et débranchez la rallonge de la prise de courant avant de procéder à toute opération de nettoyage, de réparation ou d'inspection.**

**Pour réduire les risques de choc électrique, n'exposez à jamais la tondeuse à l'eau.**

**N'utilisez jamais la tondeuse si le clapet arrière n'est pas installé ou ne fonctionne pas correctement. N'utilisez jamais la tondeuse si les dispositifs de sécurité sont endommagés. Le non-respect de ces consignes peut entraîner des blessures corporelles.**

**REMARQUE :** Branchez la rallonge sur la tondeuse de la façon expliquée dans la section « Installation » avant de brancher la rallonge dans la prise murale. Consultez la Figure 4-2.

1. Branchez la rallonge dans une prise de courant de 120 volts CA 60 Hz située à l'intérieur ou à l'extérieur. La tondeuse fonctionnera adéquatement sur un circuit équipé d'un disjoncteur de 15 A.

**REMARQUE :** Pour éviter de faire sauter les disjoncteurs, choisissez une prise murale sur un circuit qui n'est pas surchargé. Ne choisissez pas une prise installée sur un circuit sur lequel de gros appareils ménagers (comme un réfrigérateur) sont branchés.

2. Placez-vous derrière la tondeuse, au poste de conduite. Appuyez sur le bouton de démarrage (rouge) et maintenez-le enfoncé. Voir la Figure 4-3.

**REMARQUE :** La mise en marche du moteur embraie la lame. Tout en gardant le bouton de démarrage enfoncé, relevez la commande du moteur et de la lame contre le guidon supérieur pour faire démarrer le moteur et embraier la lame. Voir la Figure 4-3.

**REMARQUE :** Le moteur de la tondeuse ne démarra pas si vous ne maintenez pas le bouton enfoncé en relevant la commande du moteur et de la lame. Lâchez le bouton de démarrage (rouge).

**Arrêt du moteur et de la lame**



**AVERTISSEMENT:** La lame continue à tourner pendant quelques secondes après que le moteur s'arrête. Si le moteur n'arrête pas de tourner lorsque vous relâchez la commande, cessez d'utiliser la tondeuse et communiquez avec une station technique agréée.

Arrêt du moteur et de la lame  
1. Libérez la commande du moteur et de la lame de sa position contre le guidon supérieur.  
2. Le moteur s'arrêtera.



**AVERTISSEMENT:** Si la lame frappe un objet, arrêtez le moteur et débranchez la rallonge de la prise de courant. Inspectez soigneusement la tondeuse pour déterminer si elle est endommagée, et si tel est le cas, faites-la réparer avant de l'utiliser à nouveau. Si la tondeuse se met à vibrer de façon anormale, c'est souvent signe qu'elle a été endommagée. Faites inspecter et réparer la machine rapidement.

**Tonte de la pelouse**

• Vérifiez qu'il n'y a plus de pierres, de morceaux de bois, de fils métalliques ou autres objets sur la pelouse, qui risquent d'endommager la tondeuse ou le moteur. Ces



Figure 4-2

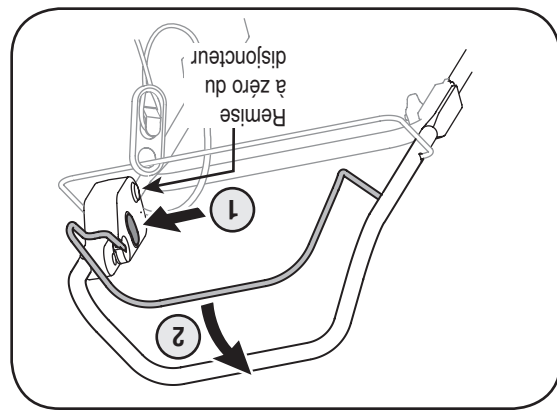


Figure 4-3

objets pourraient être projetés par la tondeuse dans une direction ou une autre et blesser grièvement le conducteur ou toute autre personne présente.

• Pour prévenir les chocs électriques, n'utilisez pas la tondeuse dans l'herbe humide ou mouillée.

• Tondez la pelouse en commençant près de la prise de courant, de façon à vous en éloigner à mesure que vous progressez. Ainsi, la rallonge reposera sur la portion tonte de la pelouse et ne gênera pas vos déplacements. Procédez par rangée en changeant de direction. Ne tondez jamais la pelouse en décrivant des cercles.

• Ne laissez pas la rallonge s'enrouler autour d'arbres, de buissons et d'autres obstacles. Si vous devez ramasser la rallonge, prenez le temps de l'enrouler dans votre main pour éviter qu'elle s'emmêle.

**Fonction de déchiquetage**

Pour déchiqueter l'herbe, retirez le sac à herbe de la tondeuse. Pour obtenir les meilleurs résultats et déchiqueter efficacement, ne coupez pas l'herbe mouillée. Si l'herbe a poussé à plus de 4 pouces de hauteur, le déchiquetage est déconseillé. Utilisez le sac à herbe pour ensacher l'herbe coupée.

**Fonction de mise en sacs**

Vous pouvez utiliser le sac à herbe pour ramasser l'herbe coupée en travaillant. Consultez le chapitre « Installation » quant aux instructions de montage du sac à herbe.

**AVERTISSEMENT**



**Utilisation**



La lame continue à tourner pendant quelques secondes après que le moteur s'arrête. Si le moteur n'arrête pas de tourner lorsque vous relâchez la commande, cessez d'utiliser la tondeuse et communiquez avec une station technique agréée.

Si la lame frappe un objet, arrêtez le moteur et débranchez la rallonge de la prise de courant. Inspectez soigneusement la tondeuse pour déterminer si elle présente des dommages, et si tel est le cas, faites-la réparer avant de l'utiliser de nouveau. Si la tondeuse se met à vibrer de façon anormale, c'est souvent signe qu'elle a été endommagée.

# Commandes

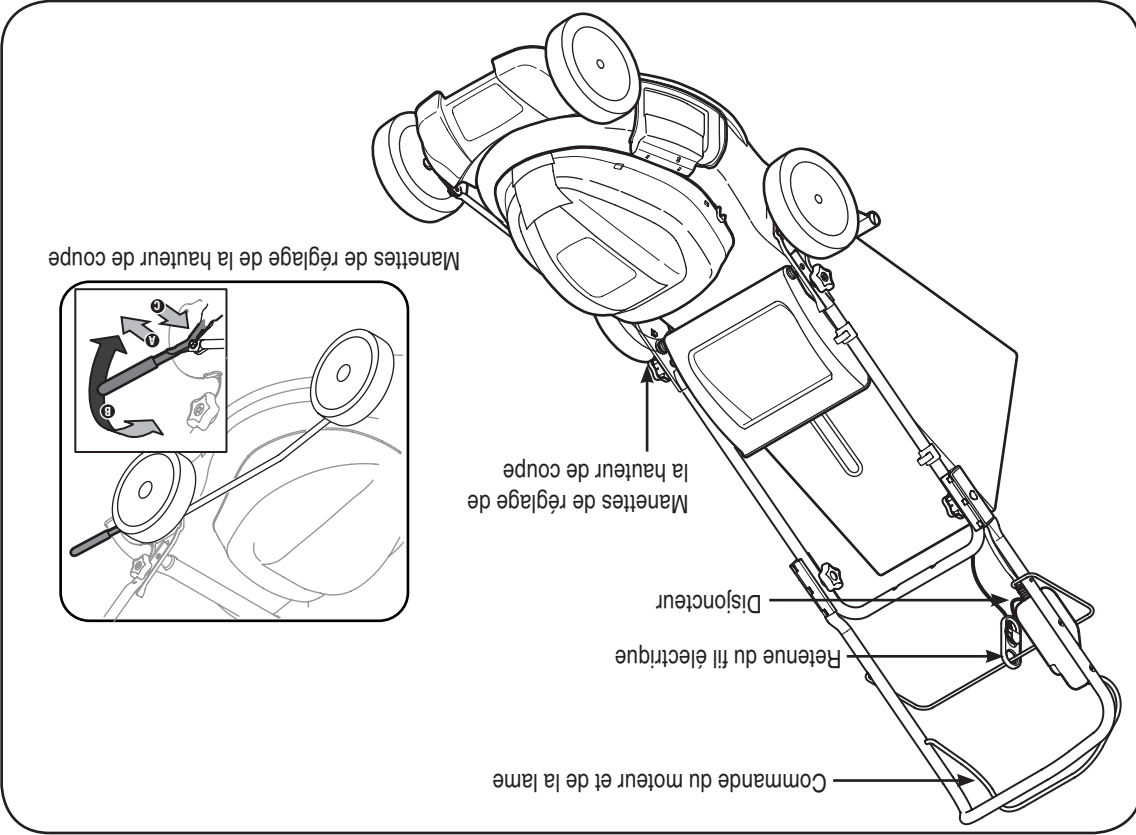


Figure 4-1

## Manettes de réglage de la hauteur de coupe

La manette de réglage se trouve au-dessus de la roue arrière gauche. Pour régler la hauteur de coupe, consultez le chapitre « Instructions de montage et réglages ».

## Démarrage du moteur et de la lame

**AVERTISSEMENT :** Évitez tout démarrage accidentel. Assurez-vous que vous vous trouvez au poste de conduite, derrière la tondeuse, avant de la mettre en marche. Pour éviter toute blessure grave, le conducteur et la tondeuse doivent se trouver sur une surface stable avant de mettre la machine en marche.



## Branchement de la rallonge à la prise de courant

**AVERTISSEMENT :** La tondeuse est conçue pour être branchée à un circuit de 15 A ou 20 A. En cas de difficultés au démarrage avec un disjoncteur ou un fusible ordinaire de 15 A, adressez-vous à la station technique agréée la plus proche. Ne remplacez jamais le fusible ou disjoncteur du circuit par un modèle de plus de 15 A sans consulter un électricien qualifié au préalable.



## Utilisation

### AVERTISSEMENT



Commande du moteur et de la lame est un dispositif de sécurité qui ne doit jamais être modifié ni contourner.



La tondeuse est conçue pour être branchée à un circuit de 15 ou 20 A. En

cas de difficultés avec un disjoncteur ou fusible ordinaire de 15 A, adressez-vous à une station technique agréée. Ne remplacez jamais le fusible ou disjoncteur du circuit par un modèle de plus de 15 A sans consulter un électricien qualifié au préalable.

Lisez attentivement cette notice d'utilisation et toutes les consignes de sécurité avant d'utiliser la tondeuse. Pour vous familiariser avec l'emplacement des diverses commandes, comparez votre tondeuse avec l'illustration de la Figure 4-1. Conservez cette notice d'utilisation pour consultation ultérieure.

## Commande du moteur et de la lame

La commande du moteur et de la lame est située sur le guidon supérieur (voir la Figure 4-1). Elle sert à faire démarrer et arrêter le moteur ainsi qu'à embrayer et débrayer la lame.



**AVERTISSEMENT :** La commande du moteur et de la lame est un dispositif de sécurité qui ne doit jamais être modifié ni contourner.

## Disjoncteur

La tondeuse est équipée d'un disjoncteur qui se trouve sur la commande du moteur et de la lame. Voir la Figure 4-3. Ce disjoncteur est conçu pour se déclencher lorsque le moteur est surchargé. Voir le chapitre « Entretien » pour remettre le disjoncteur à zéro.

## Retenue du fil électrique

La retenue est située sur l'arrière du guidon. Utilisée correctement, la retenue empêche le fil électrique de se détacher accidentellement et aide à protéger la commande du moteur et de la lame.



La retenue et la tige de guidage retiennent la rallonge électrique et limitent son mouvement. La retenue de la rallonge (et la rallonge elle-même) glisseront le long de la tige de guidage selon que la tondeuse tourne vers la droite ou vers la gauche.

4. Procédez comme suit pour assembler le sac à herbe (le cas échéant). Vérifiez que le sac à herbe est bien à l'endroit avant l'assemblage (l'étiquette d'avertissement doit se trouver sur l'extérieur).
  - a. Glissez le sac sur l'armature (côté en plastique noir sur le dessous). Enfoncez les crochets de l'armature dans les trous des glissières en plastique du sac à herbe. Voir la Figure 3-5.
  - b. Attachez le sac sur l'armature en accrochant les glissières sur l'armature, comme à la Figure 3-5.
  - c. Toutes les glissières en plastique, sauf celle du dessus du sac, s'accrochent de l'extérieur du sac. Le haut du sac s'attache de l'intérieur de celui-ci.
5. Assemblage du sac à herbe sur la tondeuse
  - a. Relevez le clapet d'éjection arrière de la tondeuse.
  - b. Relevez le bouchon de déchiquetage arrière.
  - c. Placez le sac à herbe sur la tige de pivotement. Lâchez le clapet pour qu'il repose sur le sac à herbe. Voir la Figure 3-6.

6. Pour passer au mode d'éjection latérale, assurez-vous que le sac à herbe a été démonté de la tondeuse et que le clapet d'éjection arrière est fermé.
  - a. Relevez le bouchon de déchiquetage sur le côté du plateau de coupe.
  - b. Glissez les crochets sous la goupille de la charnière du bouchon de déchiquetage. Rabaissez le bouchon de déchiquetage. Voir la Figure 3-8.

**REMARQUE:** Ne retirez jamais le bouchon de déchiquetage, même quand vous ne déchiquetez pas.

**AVERTISSEMENT:** N'utilisez jamais la tondeuse si les crochets du sac à herbe ne sont pas enfoncés dans la tige de pivotement et si le clapet arrière ne repose pas contre le haut du sac à herbe.

**MANETTES DE RÉGLAGE DE LA HAUTEUR DE COUPE**

La manette de réglage se trouve au-dessus de la roue arrière gauche. Tirez sur la manette et écartez-la de la tondeuse pour régler la hauteur de coupe. Déplacez-la vers l'avant ou vers l'arrière à la hauteur voulue. Voir la Figure 4-1.

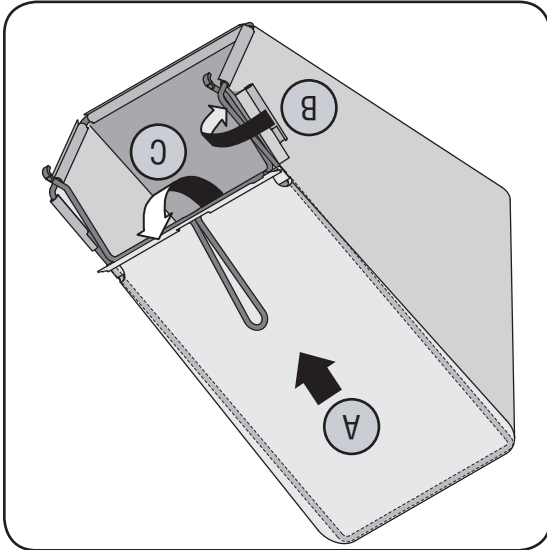


Figure 3-5

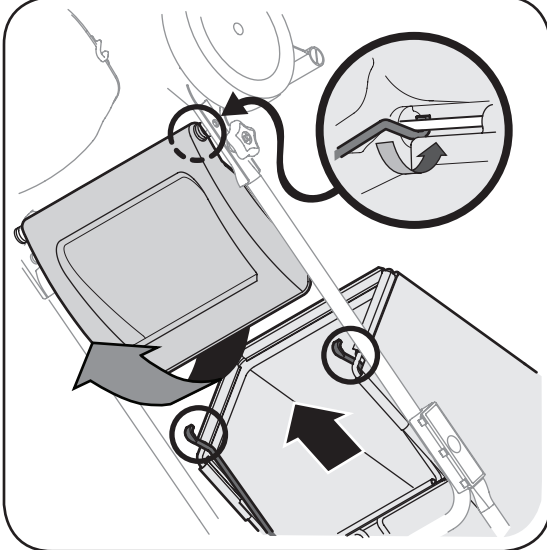


Figure 3-6

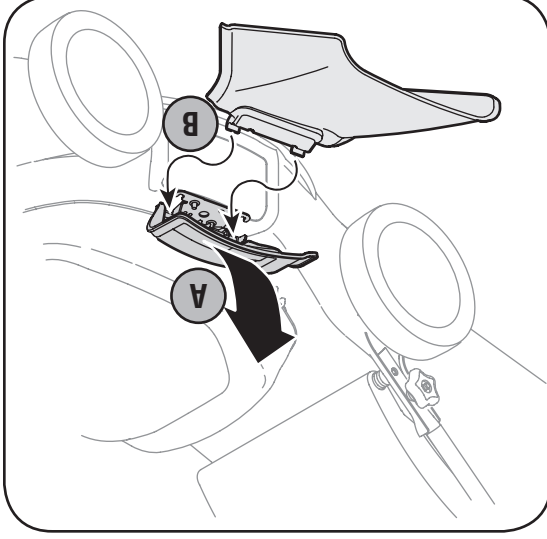


Figure 3-7

**Instructions de montage et réglages**

**3**



**REMARQUE:** Vérifiez que le sac à herbe est bien à l'endroit avant l'assemblage (l'étiquette d'avertissement doit se trouver sur l'extérieur).

**REMARQUE:** Assurez-vous que les câbles sont accrochés sur l'extérieur du guidon pour qu'ils ne gênent pas lors de l'installation du sac à herbe.



**AVERTISSEMENT**

N'utilisez jamais la tondeuse si les crochets du sac à herbe ne sont pas enfoncés dans la tige de pivotement et si le clapet arrière ne repose pas contre le haut du sac à herbe. Toutes les tondeuses sont équipées d'un dispositif de protection à l'arrière. Il empêche les projectiles soulevés par la lame de blesser l'utilisateur de la tondeuse. NE DÉMONTÉZ PAS CE DISPOSITIF DE SÉCURITÉ.

# 3

## Instructions de montage et réglages



**REMARQUE :** Les côtés droit et gauche de la tondeuse sont déterminés du poste de conduite, derrière la de conduite, derrière la tondeuse.

**REMARQUE :** Ne branchez pas la rallonge dans la prise murale avant de la faire passer dans la retenue et de la brancher à la prise du fil électrique de la tondeuse.

**REMARQUE :** Utilisez une rallonge électrique homologuée par UL. Nous recommandons l'utilisation d'une rallonge de 100 pi de calibre 14. Une rallonge de 50 pieds de calibre 16 peut être utilisée. Consultez le petit tableau qui se trouve dans le chapitre « Utilisation sécuritaire »

1. Enlevez toute garniture d'emballage qui se trouve entre les guidons inférieur et supérieur.
  - a. Desserrez les boutons situés sur l'intérieur du guidon supérieur.
  - b. Relevez lentement le guidon supérieur et placez-le en position de travail, comme à la Figure 3-1.

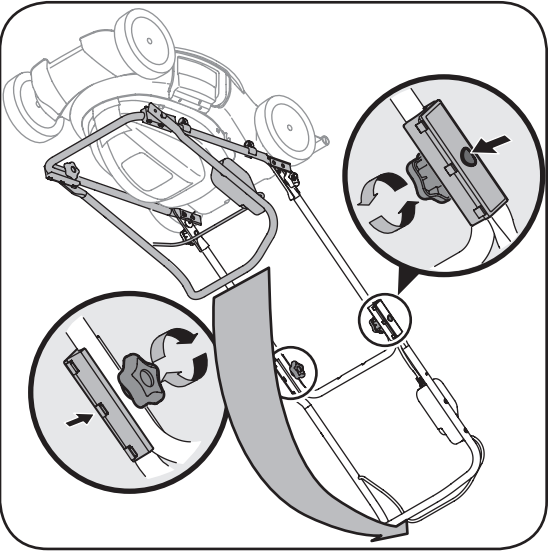


Figure 3-1

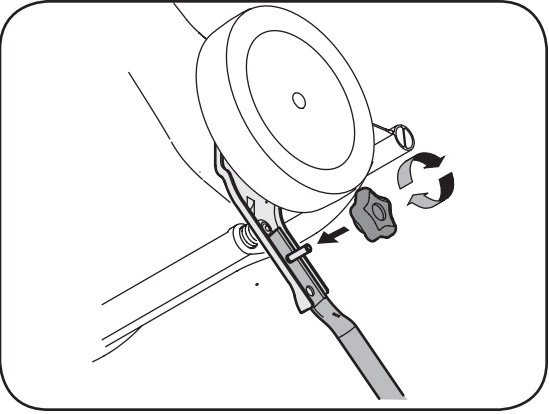


Figure 3-2

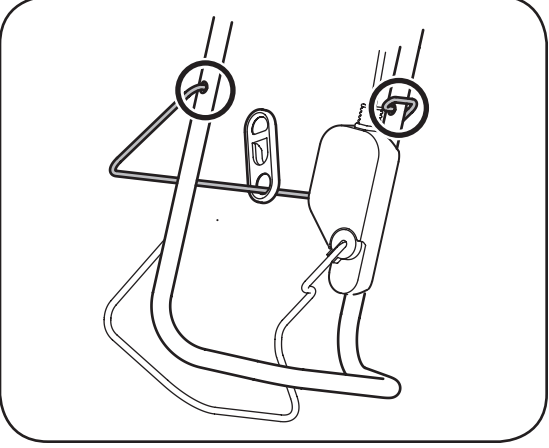


Figure 3-3

- a. Enlevez les boutons étoilés installés sur les supports de montage et maintenez le guidon inférieur sur les supports en positionnant le trou inférieur du guidon inférieur sur les goupilles des supports.
  - d. Attachez les guidons ensemble en serrant les boutons. Les boutons ordinaires doivent être bien placés dans le trou carré du raccord en plastique.
2. Serrez les boutons étoilés qui maintiennent le guidon inférieur sur les supports. Voir la Figure 3-2. Vérifiez que le guidon inférieur est bien placé sur les supports de montage du guidon.
    3. Installez la tige de guidage et la retenue de la rallonge électrique sur le guidon supérieur, comme à la Figure 3-3.

**REMARQUE :** Ne branchez pas la rallonge dans la prise murale avant de la faire passer dans la retenue et de la brancher à la prise du fil électrique de la tondeuse.

4. Pour bien faire passer la rallonge électrique dans la retenue :
  - a. Formez une boucle serrée avec le fil de la rallonge à environ 14 ou 16 po de son extrémité.
  - b. Faites passer la boucle dans le trou inférieur de la retenue. Voir la Figure 3-4a.
  - c. Placez la boucle sur l'attache fournie avec la retenue de la rallonge et tirez la corde vers le bas jusqu'à ce qu'elle soit bien ajustée dans l'attache. Voir la Figure 3-4b.

**REMARQUE :** Utilisez une rallonge électrique homologuée par UL. Nous recommandons l'utilisation d'une rallonge de 100 pi de calibre 14. Une rallonge de 50 pieds de calibre 16 peut être utilisée. Consultez le petit tableau qui se trouve dans le chapitre « Utilisation sécuritaire ».

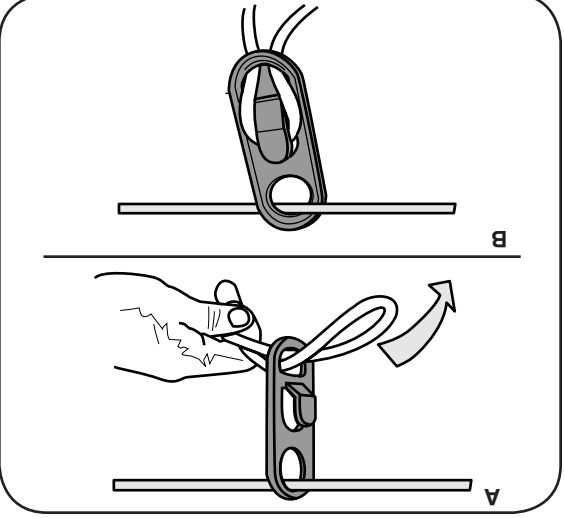


Figure 3-4

CALIBRE MINIMUM POUR RALLONGES ÉLECTRIQUES				
POUR APPAREILS DE 120 VOLTS DE 10 À 12 A				
Longueur (p)	25	50	100	150
Calibre de fil (AWG)	16	16	14	12

En cas de doute, utilisez le calibre immédiatement supérieur. Plus le chiffre identifiant le calibre est bas, plus la rallonge est épaisse. Une rallonge d'un calibre insuffisant entraînera une baisse de tension, une perte de puissance et la surchauffe de l'appareil. Pour limiter les risques de débranchement de la rallonge de la tondeuse, assurez-vous d'utiliser la retenue de rallonge fournie ainsi qu'une rallonge moderne et bien ajustée.

25. Pour réduire les risques de choc électrique, cette tondeuse est munie d'une fiche polarisée qui comporte une lame plus large que l'autre. Cette fiche ne peut être branchée qu'à une rallonge assortie d'une certaine façon. S'il est impossible de brancher la fiche dans la rallonge, inversez-la et essayez de nouveau. S'il est toujours impossible de la brancher, remplacez la rallonge par un modèle muni de fiches polarisées. La rallonge ne peut être branchée qu'à une prise de courant polarisée d'une certaine façon. S'il est impossible de l'enfoncer dans la prise, inversez-la et essayez de nouveau. S'il est toujours impossible de l'enfoncer dans la prise, faites remplacer la prise par un électricien qualifié. Ne modifiez jamais la fiche de la tondeuse ou celle de la rallonge, ni la prise de courant de quelque façon que ce soit.

26. Si la rallonge est endommagée d'une quelconque façon alors qu'elle est branchée, débranchez-la de la prise murale.

27. **Fusibles** - La tondeuse est conçue pour être branchée à un circuit de 15 A. En cas de difficultés au démarrage avec un disjoncteur ou un fusible ordinaire de 15 A ou si le disjoncteur saute souvent, adressez-vous à la station technique agréée la plus proche. Ne remplacez jamais le fusible ou disjoncteur du circuit par un modèle de plus de 15 A sans consulter un électricien qualifié au préalable.

28. Ne tirez jamais sur la rallonge pour la débrancher de la tondeuse ou de la prise de courant. Gardez la rallonge éloignée de toute source de chaleur et ne la laissez pas entrer en contact avec de l'huile ni un rebord tranchant.

29. Pour réduire les risques de blessures, n'utilisez que des accessoires et des pièces de rechange qui sont conçus pour cette tondeuse.

30. Si vous devez faire face à des situations dangereuses qui ne sont pas mentionnées dans cette notice d'utilisation, faites preuve de bon sens. Si vous avez besoin d'aide, consultez avec le détaillant ou composez le 1-800-668-1238 pour obtenir de l'aide ou les noms des détaillants de votre région.

### Utilisation sur une pente

Les accidents provoqués par une chute ou une glissade, qui arrivent souvent sur des pentes, peuvent causer des blessures graves. Travailler sur un terrain en pente demande des précautions supplémentaires. Si vous ne vous sentez pas à l'aise sur la pente, n'y travaillez pas. Par mesure de sécurité, l'inclinomètre fourni dans la notice d'utilisation pour l'inclinomètre, la pente est supérieure à 15°, n'utilisez pas la tondeuse pour éviter toute blessure grave.

- À FAIRE:**
1. Travaillez parallèlement à la pente, jamais perpendiculairement, faites très attention en changeant de direction sur une pente.
  2. Faites attention aux trous et ornières. La machine peut se retourner sur un terrain accidenté. Des herbes hautes peuvent cacher des obstacles.
  3. Vérifiez toujours votre équilibre. Vous risquez de glisser et de tomber et de vous blesser gravement. Si vous sentez que vous allez perdre votre équilibre, lâchez immédiatement le guidon, et la lame arrêtera de tourner dans trois secondes.

- À NE PAS FAIRE:**
1. Ne tondez pas près d'une falaise ou d'un talus. Le conducteur peut facilement perdre l'équilibre.
  2. Ne tondez pas sur une pente supérieure à 15° selon l'inclinomètre.
  3. Ne tondez pas de l'herbe mouillée. La traction réduite peut provoquer un dérapage.

### ENTRETIEN

1. N'utilisez que des pièces de rechange identiques énumérées dans cette notice d'utilisation pour réparer ou entretenir la tondeuse. L'emploi d'autres pièces pourrait nuire au bon fonctionnement de la tondeuse et compromettre la sécurité de l'utilisateur.
2. Assurez-vous que la lame de la tondeuse s'est immobilisée avant de procéder à toute opération de nettoyage, de réparation ou d'inspection. Débranchez aussi la rallonge pour éviter la mise en marche accidentelle de la tondeuse.
3. Suivez toujours les instructions pour lubrifier la tondeuse et changer les accessoires.
4. Vérifiez régulièrement l'état du cordon de la tondeuse et de la rallonge, et remplacez-les s'ils sont endommagés. Le cordon de la tondeuse ne doit être remplacé que par un technicien qualifié.
5. Avant de commencer la tonte, assurez-vous que vos mains sont bien sèches, sans huile ni graisse.
6. Pour réduire les risques d'incendie, ne laissez pas l'herbe, les feuilles et tout autre débris s'accumuler sur le carter du moteur.
7. Vérifiez régulièrement le serrage des boulons du moteur et de la lame. Vérifiez aussi si la lame présente des dommages (déformations, fissures, usure, etc.). Si tel est le cas, remplacez-la par une nouvelle lame identique.
8. Entretenez soigneusement votre tondeuse. Gardez la lame propre et affûtée pour assurer un rendement optimal. Pour éviter les coupures, manipulez toujours la lame avec des gants ou après l'avoir enveloppée.
9. Assurez-vous que tous les boulons et toutes les vis sont toujours bien serrés.
10. Ne modifiez jamais les dispositifs de sécurité de la tondeuse.
11. Vérifiez régulièrement s'ils fonctionnent bien.
12. Si la lame trappe un objet durant la tonte, arrêtez le moteur et débranchez la rallonge. Vérifiez si la tondeuse est endommagée et si c'est le cas, faites-la réparer avant de l'utiliser de nouveau.
13. Vérifiez régulièrement si la bavette, le déflecteur latéral ou les composants du sac à herbe sont endommagés, car ils risqueraient d'exposer des pièces mobiles de la tondeuse ou de permettre de débrancher la rallonge. Vérifiez si la tondeuse est endommagée et de ces composants sont endommagés, remplacez-les par des pièces identiques.
13. Lorsque la tondeuse n'est pas utilisée, rangez-la à l'abri, dans un endroit sec et fermé à clé, hors de la portée des enfants.

### CONSERVEZ CES INSTRUCTIONS !

**IMPORTANT: Pour réduire les risques d'électrocution, n'utilisez que des pièces de rechange identiques pour réparer une tondeuse à isolation double et confiez la réparation à un technicien qualifié. Pour toute réparation, nous vous conseillons de vous rendre à la station technique agréée la plus proche. Utilisez toujours les pièces détachées homologuées par l'usine.**

**Isolation double, il n'est pas nécessaire d'utiliser une rallonge à trois conducteurs ni une prise de courant mise à la terre. Cette tondeuse à double isolation est conçue pour mieux vous protéger contre les risques de chocs électriques. Toutes les pièces de métal exposées de la tondeuse sont isolées des composants de métal du moteur.**



**AVERTISSEMENT**



**Consignes de sécurité**



**DANGER:** Cette machine doit être utilisée conformément aux consignes de sécurité qui figurent dans la notice d'utilisation. Comme avec tout appareil motorisé, une négligence ou une erreur de l'utilisateur peut entraîner des blessures graves. Cette machine peut amputer mains et pieds et projeter des débris. Par conséquent, le non-respect de ces consignes peut causer des blessures corporelles graves et même mortelles.

**AVERTISSEMENT:** Des mesures de sécurité fondamentales doivent être prises pour réduire les risques de secousses électriques, d'incendie et de blessures corporelles en utilisant des tondeuses électriques. Elles doivent inclure :



9. Ne placez jamais vos mains ou vos pieds près d'une pièce en mouvement ou sous le plateau de coupe. La lame peut amputer mains et pieds.
  10. L'absence du clapet de la goulotte d'éjection ou un clapet endommagé peut causer des blessures en cas de contact avec la lame ou projeter des objets.
  11. De nombreuses blessures se produisent lorsque la tondeuse passe sur le pied à la suite d'une chute. Ne retenez pas la tondeuse si vous tombez. Lâchez immédiatement le guidon.
  12. Ne tirez jamais la tondeuse vers vous en marchant. Si l'il faut faire reculer la tondeuse près d'un mur ou d'un autre obstacle, regardez d'abord par terre et derrière vous, puis procédez comme suit:
    - a. Éloignez-vous de la tondeuse à bout de bras.
    - b. Assurez votre stabilité.
    - c. Reculez la tondeuse lentement et d'une demi-longueur de bras seulement.
    - d. Répétez selon les besoins.
  13. N'utilisez jamais la tondeuse en état d'ébriété ou si vous prenez des médicaments ralentissant les réactions.
  14. Dégagez le dispositif d'auto-propulsion ou l'embrayage d'entraînement, le cas échéant, avant de faire démarrer le moteur.
  15. La poignée de commande du moteur et de la lame est un dispositif de sécurité. Ne tentez jamais de contourner son rôle. Ceci empêche le dispositif de sécurité de fonctionner correctement et peut causer des blessures en cas de contact avec la lame. La commande du moteur et de la lame doit bouger facilement dans les deux sens et revenir automatiquement à la position non enclenchée quand on la lâche.
  16. N'utilisez jamais la tondeuse si le gazon est mouillé. Soyez toujours bien en équilibre. Faites attention de ne pas glisser et de ne pas perdre votre équilibre, lâchez immédiatement la commande du moteur et de la lame et la lame arrêtera de tourner dans trois secondes.
  17. Utilisez la tondeuse seulement dans la lumière du jour ou dans la bonne lumière artificielle. Marchez, ne courez pas.
  18. Arrêtez la lame avant de traverser des allées, trottoirs ou chemins recouverts de gravier.
  19. Si la machine commence à vibrer d'une manière anormale, arrêtez le moteur et cherchez-en immédiatement la cause. En général, toute vibration indique un problème.
  20. Arrêtez le moteur et attendez que la lame se soit immobilisée avant de détacher le sac à herbe ou de déboucher la goulotte. La lame continue à tourner pendant quelques secondes après que le moteur s'est éteint. Ne placez jamais une partie du corps à proximité de la lame avant que vous ne soyez sûr que la lame a cessé de tourner.
  21. N'utilisez jamais la tondeuse sans l'abaissant de protection arrière, la goulotte d'éjection, un sac à herbe, la commande du moteur et de la lame ou d'autres dispositifs de sécurité appropriés, en place et en bon état de marche. N'utilisez jamais la tondeuse avec des dispositifs de sécurité endommagés. Le non-respect de ces consignes peut causer des blessures graves.
  22. Assurez-vous que le circuit de la prise de courant utilisée est protégé par un disjoncteur de fuite à la terre, ou que la prise de courant elle-même comporte un disjoncteur de fuite à la terre.
  23. Pour prévenir les chocs électriques, n'utilisez que des rallonges homologuées par les LAC qui sont conçues pour être utilisées à l'extérieur (types SW-A, SOW-A, STW-A, STOW-A, SJW-A, SJOW-A, SJTW-A ou SJTOW-A).
  24. Rallonges électriques - Assurez-vous que la rallonge est en bon état et que son calibre convient à l'intensité du courant consommé par la tondeuse.
1. Veuillez lire attentivement la notice d'utilisation avant d'essayer d'assembler la machine. Assurez-vous de lire et de bien comprendre toutes les instructions qui figurent sur la machine et dans la notice d'utilisation avant de la mettre en marche. Conservez cette notice d'utilisation à un endroit sûr pour toute consultation ultérieure et pour commander des pièces de rechange. Familiarisez-vous avec les commandes et les conseils d'utilisation de la machine avant de vous en servir.
  2. Cette machine motorisée est un outil de précision, pas un jouet. Soyez par conséquent toujours très prudent. Le seul rôle de cette machine est de tondre le gazon. Ne l'utilisez jamais dans un autre but.
  3. Ne forcez pas la tondeuse. Elle fonctionnera plus efficacement et de façon plus sécuritaire à la vitesse pour laquelle elle a été conçue.
  4. Ne permettez jamais à des enfants de moins de 14 ans de se servir de la machine. Des enfants plus âgés doivent lire et comprendre le mode d'emploi de la machine et les consignes de sécurité qui figurent dans cette notice d'utilisation. Un adulte doit leur apprendre à se servir de cette machine et les surveiller. Seules des personnes mûres ayant pris connaissance des consignes de sécurité doivent être autorisées à utiliser cette machine.
  5. Examiner soigneusement la zone de travail. Ramassez les pierres, bâtons, fil métalliques, os, jouets et autres objets qui pourraient vous faire trébucher ou qui risquent d'être ramassés et projetés par la lame. Les objets projetés par la machine peuvent causer des blessures graves. Révoyez de travailler en évitant de projeter l'herbe vers des rues, des trottoirs, des spectateurs, etc. Évitez d'éjecter l'herbe en direction d'un mur ou d'un obstacle. De cette façon, les débris éventuels ne risquent pas de ricocher et de blesser quelqu'un.
  6. Pour éviter tout risque de contact avec la lame ou de blessure par un projectile, éloignez les enfants, passants et autres à au moins 75 si quelque un s'approche.
  7. Portez toujours des lunettes de sécurité en utilisant la machine ou en effectuant un réglage ou une réparation. Un objet peut en effet être projeté, ricocher et vous blesser aux yeux.
  8. Portez des chaussures robustes à semelle épaisse et des vêtements bien ajustés. Une chemise et un pantalon qui protègent les bras et les jambes et des chaussures à bout d'acier sont recommandés. N'utilisez jamais la tondeuse si vous êtes pieds nus ou si vous portez des sandales ou des tennis.

# Consignes de sécurité



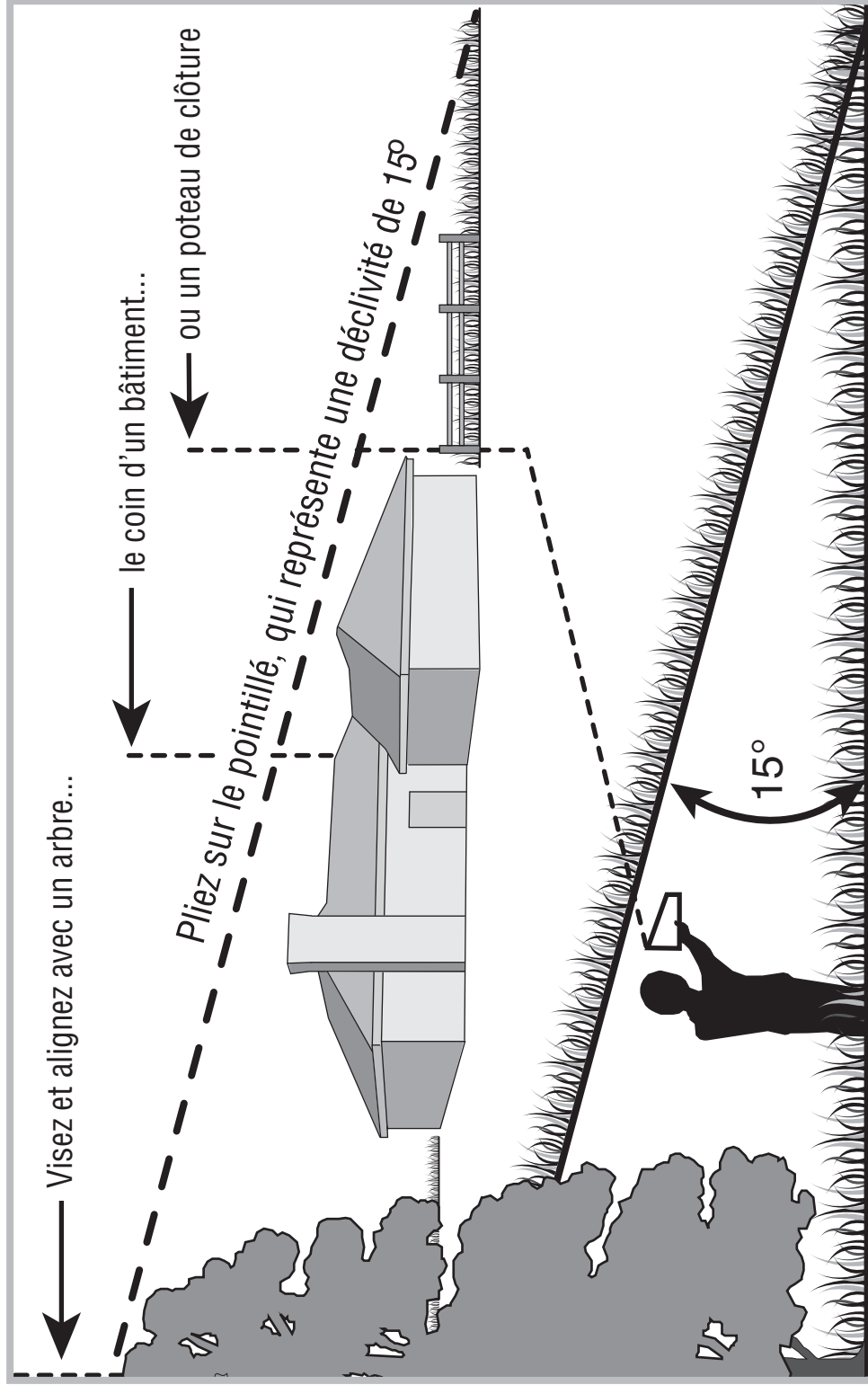
## AVERTISSEMENT

Ce symbole attire votre attention sur des consignes de sécurité importantes qui, si elles ne sont pas respectées, peuvent mettre en danger non seulement votre personne et vos biens, mais aussi ceux d'autrui. Prière de lire toutes les instructions figurant dans cette notice d'utilisation avant d'essayer de vous servir de cette machine. Le non-respect de ces instructions peut entraîner des blessures corporelles.

## RESPECTEZ L'AVERTISSEMENT QUI ACCOMPAGNE CE SYMBOLE!

Cette machine ne doit être utilisée que par des personnes qui peuvent lire, comprendre et respecter les avertissements et instructions qui figurent dans cette notice et sur la machine.

Servez-vous de cet inclinomètre pour déterminer les pentes sur les quelles il serait dangereux de travailler. **N'utilisez pas** cet équipement sur de telles pentes.



## Inclinomètre



### AVERTISSEMENT

Ne tondez pas sur des pentes supérieures à 15° (soit une déclivité de 2-1/2 pi par 10 pi). Un tracteur à siège risque en effet de se retourner et son conducteur peut être gravement blessé. Il est également difficile de conserver un bon appui en marchant derrière la tondeuse. Vous risquez de glisser et de vous blesser.

Utilisez les tondeuses À POUSSER perpendiculairement à la pente, jamais parallèlement.



Si l'assemblage de cette machine vous pose des problèmes ou pour toute question concernant les commandes, le fonctionnement ou l'entretien de la machine, les spécialistes sont à votre disposition. Choisissez l'une des options ci-dessous:

1. Visitez le site [www.cubcadet.ca](http://www.cubcadet.ca) où vous trouverez de nombreuses suggestions utiles.
2. Appelez un agent du service après-vente au **1-800-668-1238**.
3. Le fabricant du moteur est responsable de tout aspect lié à celui-ci, y compris la performance, la puissance nominale, les caractéristiques, la garantie et le service. De plus amples renseignements se trouvent, en fonction du fabricant, soit dans cette notice d'utilisation soit dans celle qui est emballée séparément avec le produit.

Préparez vos numéros de modèle et de série avant de téléphoner. Veuillez lire le chapitre précédent pour déterminer l'emplacement de ces numéros. On vous demandera d'enregistrer le numéro de série avant de pouvoir poursuivre votre consultation.

## Service après-vente

**Veillez NE PAS retourner la machine au détaillant qui vous l'a vendue, sans vous adresser d'abord au service après-vente.**



## Pour trouver le numéro de modèle

AVANT DE PROCÉDER À L'ASSEMBLAGE DE VOTRE NOUVEL ÉQUIPEMENT, localisez la plaque signalétique sur l'équipement, et recopiez le numéro de modèle et le numéro de série sur le modèle de plaque signalétique fourni sur la droite. Pour localiser la plaque signalétique, placez-vous derrière la machine au poste de conduite et regardez à l'arrière de la machine.

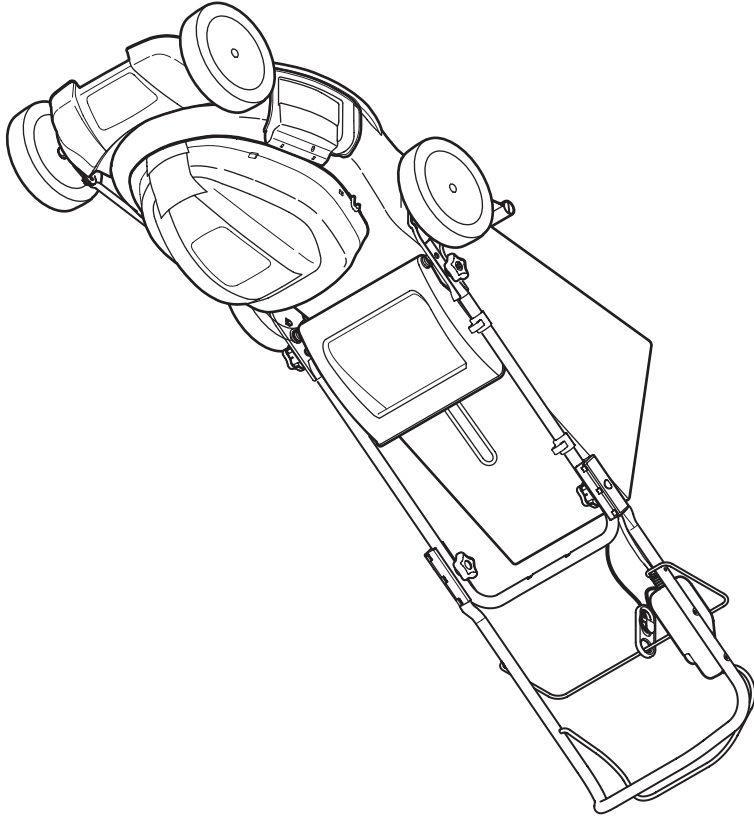
Inclinomètre .....	3
Importantes consignes de sécurité .....	4
Instructions de montage et réglages .....	6
Utilisation .....	8
Entretien et remisage hors saison .....	10
Dépannage .....	12
Garantie .....	13
Pièces détachées (voir la page 14 de la version anglaise de cette notice d'utilisation).	

## Table des matières

Cette notice d'utilisation est une pièce importante de votre nouvel équipement. Elle vous fournit les renseignements nécessaires à l'assemblage, à la préparation et à l'entretien de votre machine. Veuillez donc la lire attentivement et vous assurer de bien comprendre toutes les instructions.

# NOTICE D'UTILISATION

# *Cub Cadet*<sup>®</sup>



## Tondeuse électrique de 19 po à 3 fonctions - Modèle 182

**IMPORTANT:**

**LISEZ ATTENTIVEMENT LES RÈGLES  
DE SÉCURITÉ ET LES INSTRUCTIONS  
AVANT DE METTRE LA MACHINE EN**

**MARCHE.**



Ce symbole signifie que l'outil est  
homologué par les Laboratoires des  
assureurs du Canada (LAC).