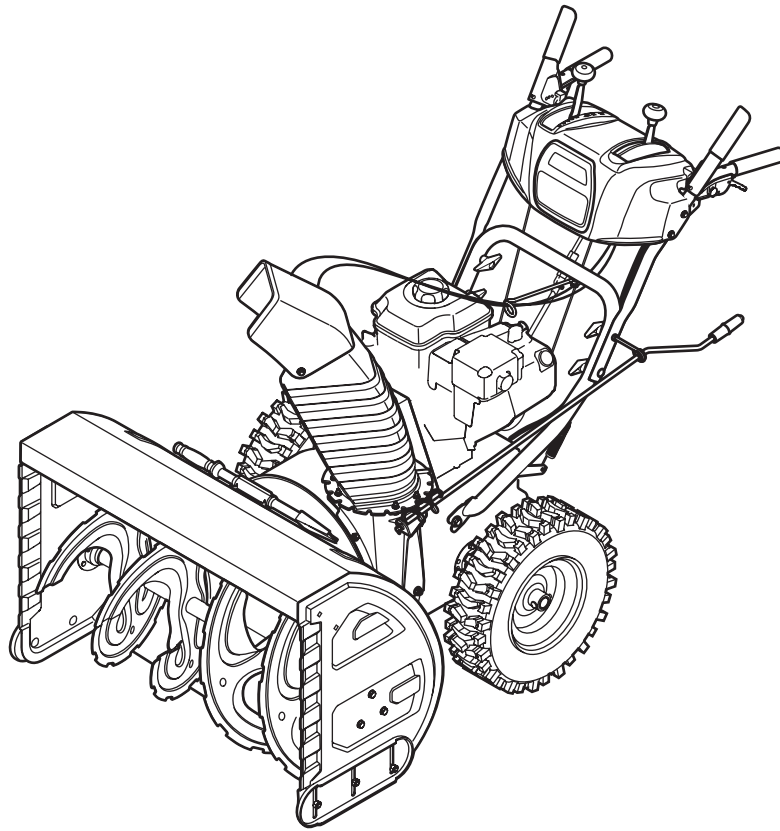

Cub Cadet[®]

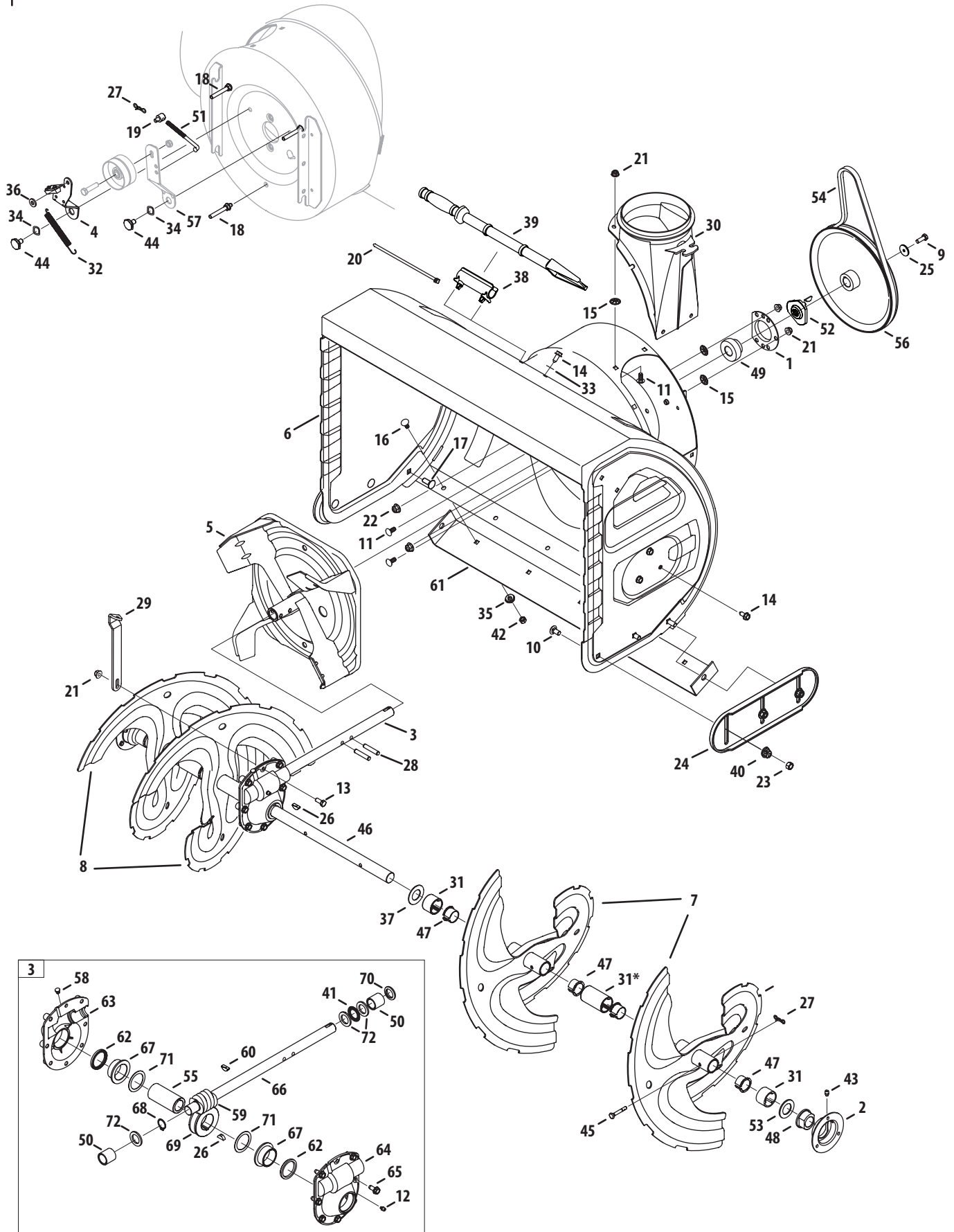
ILLUSTRATED PARTS MANUAL



Two Stage Snow Thrower — 930 SWE & 933 SWE

CUB CADET LLC, P.O. BOX 361131 CLEVELAND, OHIO 44136-0019

Augers, Auger Housing, and Gearbox

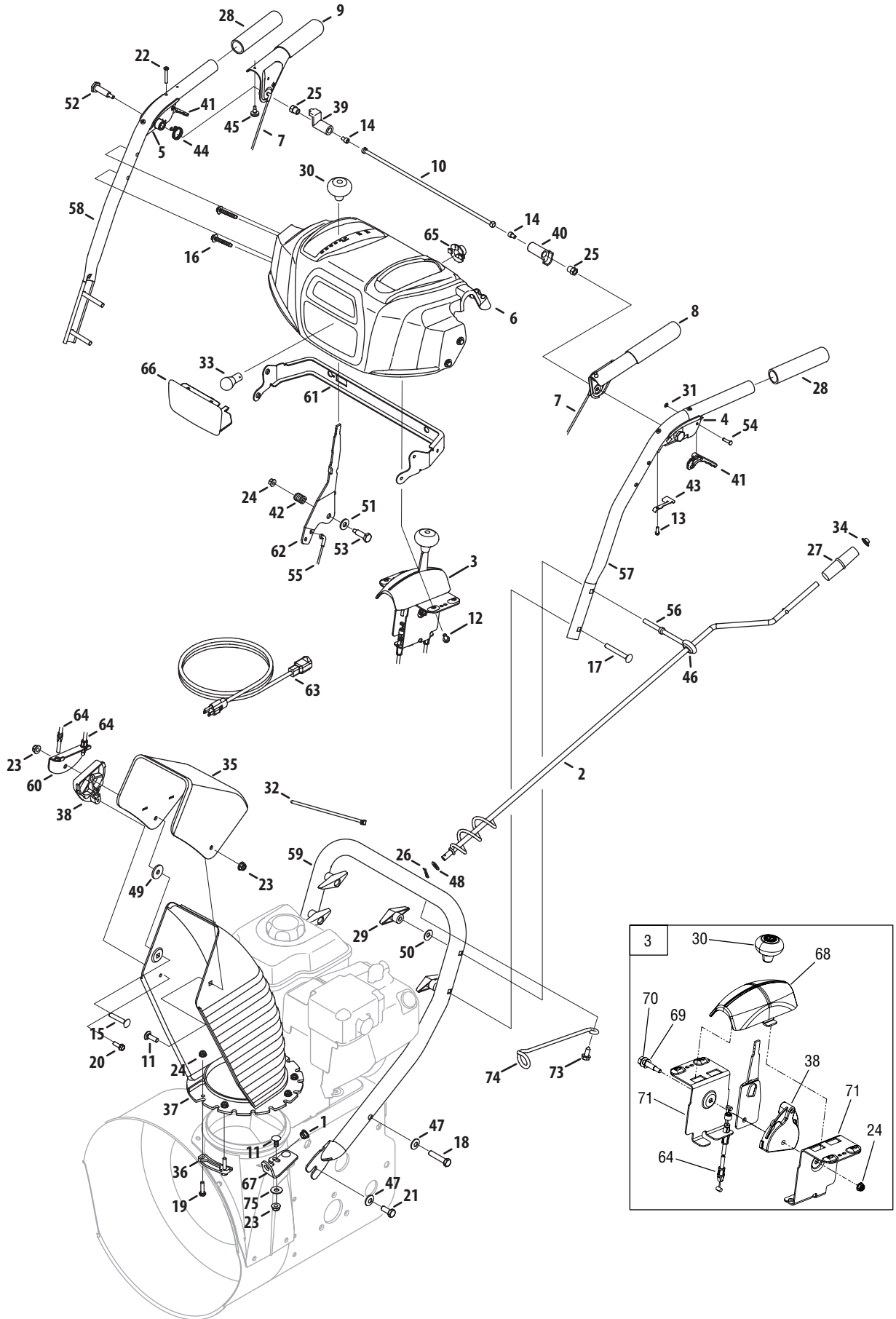


Augers, Auger Housing, and Gearbox

Ref.	Part No.	Description	Ref.	Part No.	Description
1	05244B	Housing, Bearing	37	736-3046A	Washer, 1.01 x 1.86 x .06
2	784-0315A	Housing, Bearing	38	731-2635	Clip, Mounting
3	618-04514	Gear Box Assembly	39	731-2643	Tool, Clean-out
4	618-0281A	Bracket Assembly, Auger Brake	40	736-04215	Washer, Bell., .375 x .87 x .063 Stainless
5	684-0090B	Impeller, 16"	41	741-0184	Bearing, Thrust
6	684-04232	Housing, Auger - 30"	42	712-04103	Nut, Hex, 5/16-18 Stainless
	684-04233	Housing, Auger - 33"	43	737-3000	Fitting, Lube
7	684-04151	Spiral Assembly, LH	44	738-0281	Screw, Shoulder, .625 x .17
8	684-04152	Spiral Assembly, RH	45	738-04155	Pin, Shear, .25 x 1.75
9	710-1245B	Screw, Hex Cap Lock, 5/16-24 x .875	46	738-04157	Shaft, Spiral, — 30" ONLY
10	710-04527	Screw, Carriage, 3/8-16 x .75 Stainless		738-04158	Shaft, Spiral, — 33" ONLY
11	710-0451	Screw, Carriage, 5/16-18 x .75	47	741-0494	Bushing, Flange,
12	737-3000	Fitting, Lube	48	741-0192	Bearing, Flange w/Flats
13	710-0376	Screw, Hex Cap, 5/16-18 x 1.0 Gr5	49	741-04024	Bearing, Self Aligning
14	710-04484	Screw, 5/16-18 x .750	50	741-0217	Sleeve
15	726-04012	Nut, Push	51	747-0980A	Rod, Auger Idler
16	710-04525	Screw, Carriage, 5/16-18 x .75 Stainless	52	748-04067A	Adapter, Pulley w/Pins
17	710-04526	Screw, Carriage, 3/8-16 x 1.0 Stainless	53	750-04020	Spacer, 1.004 x 1.375 x .25
18	710-04606	Screw w/Stud, 5/16-18 x .4300	54	754-04131	V-Belt, 1/2 x 42
19	711-0677	Ferrule	55	738-0275	Shaft, Gear, Worm
20	725-0157	Tie Strap	56	756-04244A	Pulley, Auger Drive, 10.0
21	712-04063	Nut, Hex Flange Lock, 5/16-18	57	784-0385B	Bracket, Auger Idler
22	712-04065	Nut, Hex Flange Lock, 3/8-16	58	721-0325	Plug
23	712-04102	Nut, Hex Lock, 3/8-16 Stainless	59	717-0299	Gear, Worm
24	790-00199	Shoe, Skid, Stainless	60	714-0126	Key, Hi Pro, 3/16 x 3/4
25	736-0505	Washer, Flat, .34 x 1.5 x .15 Ht.	61	790-00277	Plate, Shave, Stainless — 30" ONLY
26	714-0135	Key, Woodruff, 1/4 x 3/4		790-00196A	Plate, Shave, Stainless — 33" ONLY
27	714-04040	Pin, Bow-tie Cotter	62	721-0146	Oil Seal
28	715-0118	Pin, Spiral, 5/16 x 1.75	63	618-0246	Hsg, Ass'y, Auger, RH (Incl. Ref. 62 & 67)
29	790-00264A	Bracket, Gear Box Support	64	618-0435	Hsg, Ass'y, Auger, LH (Incl. Ref. 62 & 67)
30	731-1696B	Adapter, Chute, 6"	65	710-1260A	Screw, LD, 5/16-18 x .750
31	731-05163	Spacer, 1.0 x 1.5 x 1.0 Lg - 30" ONLY	66	711-04714	Shaft, Drive, Auger
	731-05162*	Spacer, 1.0 x 1.5 x 2.5 Lg - 33" ONLY	67	741-0670	Flange Bearing
32	732-0858	Spring, Extension	68	716-0111	External, Retaining, Ring
33	736-0159	Washer, Flat, .349 x .879 .063	69	717-1425	Gear, Worm, LH
34	736-0174	Washer, Wave, .625 x .885 x .015	70	721-0145	Seal, Oil
35	736-04216	Washer, Bell., .34 x .872 x .06 Stainless	71	736-0266	Wash, Flat, 1.52ID x 2.0 OD
36	736-3008	Washer, .344 x .75 x .12	72	736-0291	Wash, Flat, .88 ID x .38 OD

*Used only on 33" units, otherwise use Part No. 731-05163

Handles, Handle Panel & Discharge Chute

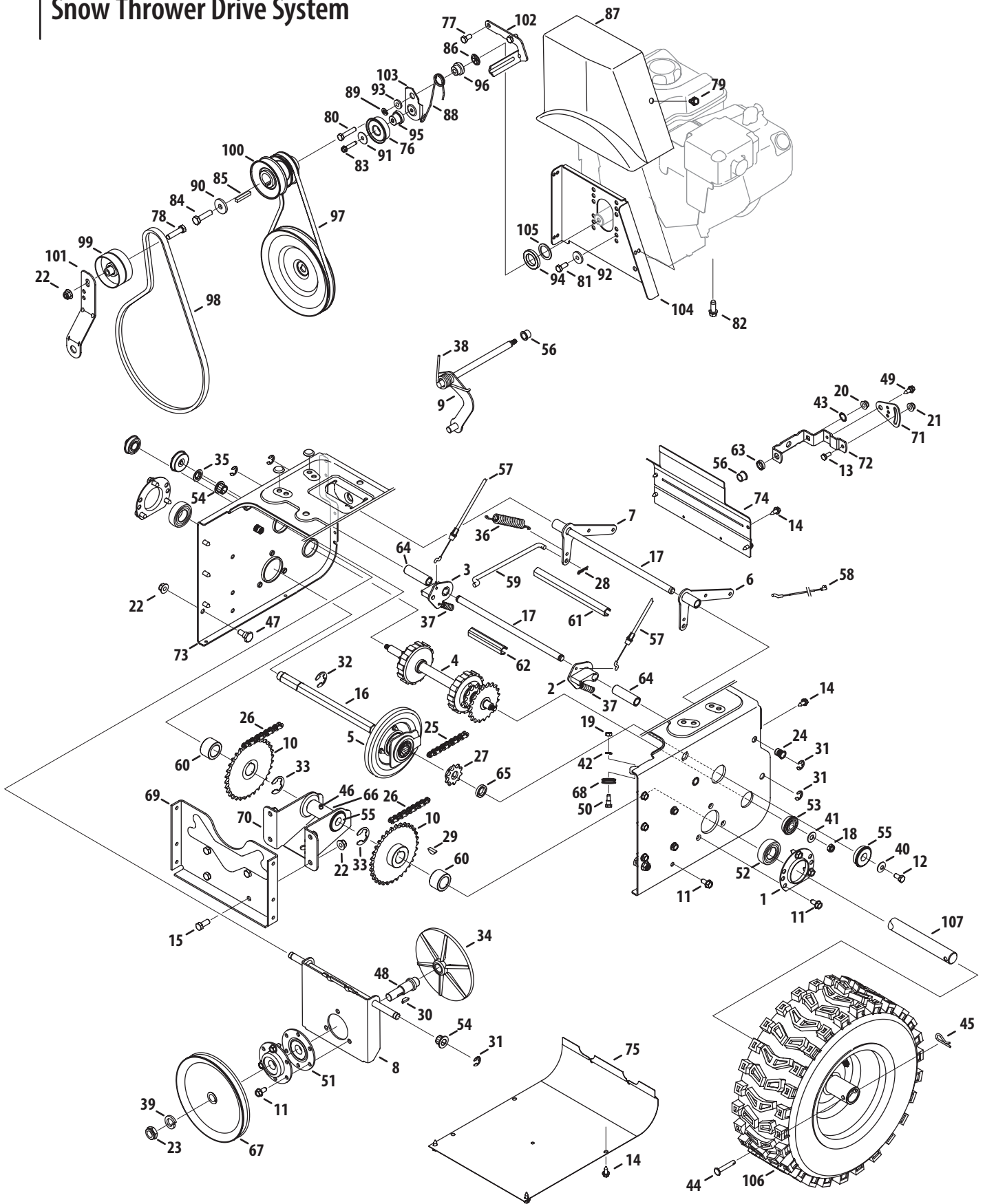


Handles, Handle Panel & Discharge Chute

Ref.	Part Number	Description	Ref.	Part Number	Description
1	741-0475	Bushing, Plastic, .38 ID	39	731-04894D	Lock Plate
2	684-04104	Crank, Chute	40	731-04896B	Clutch Lock Cam
3	684-04230	2-Way Chute Control™ Assy	41	731-04954	Steering Control
4	631-04133A	Handle Clutch Lock - LH	42	732-0193	Compression Spring
5	631-04134B	Handle Clutch Lock - RH	43	732-04219C	Clutch Lock Spring
6	731-05335A	Handle Panel	44	732-04238	Torsion Spring
7	646-0012	Cable Assembly, Auger/Drive	45	735-0199A	Rubber Bumper
	746-0952	Cable, Clutch	46	735-0234	Grommet, Rubber
	732-0184	Spring, Extension	47	736-0105	Washer, Bel, .375 x .87 x .063
8	684-04105B	Handle Engage Assy - LH	48	736-0185	Washer, .375 x .738 x .063
9	684-04106B	Handle Engage Assy - RH	49	736-0231	Flat Washer
10	684-04250	Rod Ass'y, Clutch Lock Pivot	50	736-0242	Washer, Belleville, .34 x .872 x .06
11	710-0276	Screw, Carriage, 5/16-18 x 1.0	51	736-0267	Flat Washer
12	710-04187	Hi-Lo Screw, 1/4-15 x 0.5	52	738-04348	Shoulder Screw, 1/4-20 x 1.345
13	710-04326	Screw, #8-16 x 0.50	53	738-04125	Shoulder Screw
14	710-3069	Screw, 1/4-20 x .375	54	738-04126	Pin, 3/16
15	710-0458	Bolt, Carriage, 5/16-18 x 1.75	55	746-04341	Speed Selector Cable
16	710-04586	Screw, 1/4-20 x 1.625	56	747-04263	Eye Bolt
17	710-0572	Screw, Carriage, 5/16-18 x 2.5	57	749-04309	Handle, Upper - LH
18	710-04682	Screw, Hex, 3/8-16 x 2.00 Lock, Gr5	58	749-04310	Handle, Upper - RH
19	710-0597	Screw, 1/4-20 x 1.00	59	749-0991	Handle, Lower
20	710-0895	Hi-Lo Screw, 1/4-15 x .75	60	784-5594	Cable Bracket
21	710-3118	Screw, Hex, 3/8-16 x 1.0 Lock, Gr5	61	790-00248B	Panel Bracket
22	710-1233	Screw, #10-24 x 0.375	62	790-00281A	Shift Lever
23	712-04063	Flange Lock Nut, 5/16-18	63	629-0071	Extension Cord, 110V
24	712-04064	Flange Lock Nut, 1/4-20	64	746-04338	Cable, Chute Tilt
25	712-04081A	Shoulder Nut, 1/4-20	65	725-1649	Light Socket
26	714-0104	Pin, Internal Cotter Pin	66	731-05324	Lens
27	720-0201A	Knob, Crank	67	784-5123	Bracket, Chute Crank
28	720-0274	Handle Grip	68	731-05307	Cover, Tilt Cover
29	720-0284	Knob, Wing Nut, 5/16-18	69	736-0413	Washer, Spring, .39 x .625 x .012
30	720-04039	Shift Knob	70	738-04185	Screw, Shoulder, .31 x .995:1/4-20
31	716-04036	Ring, Retainer	71	790-00200	Bracket, Mounting
32	725-0157	Cable Tie	72	790-00210A	2-way Control Lever
33	725-1629	Lamp	73	710-04484	Screw, 5/16-18 x .750
34	726-0100	Cap, Push, 3/8	74	747-04786	Cable Guide
35	731-0846C	Upper Chute	75	736-0159	Washer, Flat, .349 x .879 .063
36	731-0851A	Chute, Flange Keeper		725-04314*	Wire Harness
37	731-0903E	Lower Chute		777X41804*	Reflector Label
38	731-1313C	Chute Tilt Cable Guide			

*Not Pictured.

Snow Thrower Drive System



Snow Thrower Drive System

Ref.	Part Number	Description	Ref.	Part Number	Description
1	05244B	Housing, Bearing	56	741-0748	Bush, Flg, .5 ID x .627 OD
2	618-0279	Dogg, Steering Drive, LH	57	746-04337	Cable, Steering
3	618-0280	Dogg, Steering Drive, RH	58	746-0951	Cable, Auger Idler
4	618-0282E	Shaft Assembly, Steering	59	747-0973	Rod, Drive Clutch
5	618-04178	Assembly, Friction Wheel	60	750-04703	Spcr., 1.0 ID x 1.50 OD
	718-04034	Wheel, Friction, Bonded	61	750-04717	Spcr., .51 ID x 7.895 Lg.
	710-0896	Screw, Hex Wash	62	750-04718	Spcr., .51 ID x 3.66 Lg.
6	684-0118B	Bracket, Auger Actuator	63	750-04719	Spacer, .5151 x .75 x .22
7	684-0119B	Bracket, Drive Actuator	64	750-0903B	Spcr., .514 x .632 x 2.44
8	684-04212	Brkt, Friction Drive Suprt.	65	750-0997	Spacer, .675 x 1.0 x .23
9	684-04229	Arm, Shift	66	750-1302B	Spcr, .6725 x 1.125 x 2.48
10	684-04235	Sprocket, 32T	67	756-0344	Pulley, Drive
11	710-04484	TT Screw, 5/16-18 x .750	68	756-0625	Roller, Cable
12	710-0538	Screw, Hex Cap Lk, 5/16-18 x .625 Gr5	69	784-0406A	Bracket, Frame Support
13	710-0751	Screw, Hex, 1/4-20 x .620	70	784-0407	Bracket, Axle Support
14	710-1652	Screw, Hex Wash.	71	790-00217A	Bracket, Speed Selector Pivot
15	710-3001	Screw, Hex Cap, 3/8-16	72	790-00218A	Bracket, Speed Shift Selector
16	711-04279	Shaft, Hex Drive	73	790-00255A	Frame, Transmission
17	711-04605	Shaft, Actuator	74	790-00257	Cover, Upper Frame
18	712-0116	Nut, Hex Insert Jam Lock	75	790-00259	Cover, Lower Frame
19	712-0138	Nut, Hex, 1/4-28 GR5	76	684-04169	Pulley, Flat Idler, 3.0 OD
20	712-04063	Nut, Hx Flnge Insert Lk, 5/16-18 GrF	77	710-0237	Screw, Hex Cap, 5/16-24 x .625 Gr5
21	712-04064	Nut, Hx Flnge Insert Lk, 1/4-20 GrF	78	710-0347	Screw, Hex Cap, 3/8-16 x 1.75
22	712-04065	Nut, Hx Flnge Insert Lk	79	710-0607	Screw, Hex Tapp, 5/16-18 x .50
23	712-0413	Nut, Hx Insert Jam Lk	80	710-0624	Screw, Hex Cap, 5/16-24 x 1.50
24	712-0717	Nut, Insert 3/8-16	81	710-0627	Screw, Hex Cap, 5/16-24 x .75
25	713-0284	Chain, Endless, #41 x 36L	82	710-0654A	Screw, Hex Sems Tapp, 3/8-16 x 1.0
26	713-0286	Chain, #420 x 40L	83	710-0809	Screw, Hex Tapp, 1/4-20 x 1.25
27	713-04015	Sprocket, #41 x 10T	84	710-1044	Screw, Hex Cap, 3/8-24 x 1.50
28	714-0104	Pin, Internal Cotter	85	714-0118	Key, Square, 1/4 x 1.5
29	714-0135	Key, Woodruff	86	726-04012	Push Nut, .25 dia.
30	714-0388	Key, Hi-Pro, 3/16 x 5/8	87	731-2531	Cover, Belt
31	716-0104	E-Ring	88	732-04308A	Torsion Spring
32	716-0136	Ring, Retaining	89	736-0119	Lock Washer 5/16
33	716-04048	Ring, Retainer	90	736-0247	Washer, Flat, .406 x 1.25 x .157 Ht.
34	717-0302	Plate, Drive	91	736-3092	Washer, Flat, .265 x 1.0 x .030
35	726-0221	Nut, Speed	92	748-0234	Spacer, Shoulder
36	732-0121	Spring, Extension	93	748-04112B	Shoulder Spacer, .3175 x .500 x .0975
37	732-0209	Spring, Extension	94	750-04020*	Spacer, 1.004 x 1.375 x .25
38	732-04385	Spring, Torsion	95	750-04571	Shoulder Spacer, .260 x .785 x .538
39	736-0158	Washer, Lock, 5/8	96	750-04821	Shoulder Spacer, .340 x 1.00
40	736-0242	Washer, Belleville, .34 x .872 x .06	97	754-0367	V-Belt, 3/8 x 34.4
41	736-0300	Wash, .406 x .875 x .059	98	754-04131	V-Belt, 1/2 x 42.0
42	736-0329	Washer, Lock, 1/4	99	756-0178	Idler, Flat, 2.75 OD
43	736-3015	Washer, Flat, .469 x .875 x .105	100	756-04351	Pulley, Double, 3.25 OD (30" Units)
44	711-04615	Pin, Clevis		756-0241B	Pulley, Double, 3.25 OD (33" Units)
45	714-0149B	Pin, Internal Cotter	101	784-0385B	Auger Idler Bracket
46	737-3000	Fitting, Lube, 3/16 Drive	102	790-00167A	Bracket, Belt Keeper
47	738-0143	Screw, Shldr., .498 x .34	103	790-00208C	Bracket, Idler, Drive
48	738-0279	Spindle, Drive Plate	104	790-00254A	Bracket, Belt Cover
49	738-04184A	Screw, Shoulder, .368 x .113:1/4-20 TT	105	GW-1166-1	Flat Washer, 1.015x1.375x.062 (33" only)
50	738-0924A	Screw, Hex Shldr., 1/4-28	106	634-0225A	Wheel Assembly. - LH
51	741-0163A	Ass'y, Bearing/Housing		634-0226A	Wheel Assembly. - RH
52	741-04025	Bearing, Self Aligning		734-2031	Tire
53	741-04076	Bearing, Ball		734-0255	Valve
54	741-04108	Bearing, Hex Flange		741-0246A	Bearing
55	741-0563	Bearing, Ball	107	711-04607	Axle, Wheel

*2 ea. used on the 30" units and 1 ea. on 33" units

Snow Thrower Labels

1.) 777D11351



3.) 777I22363



5.) 777S32636



4.) 777S32280

DANGER



- NEVER PUT HANDS IN CONTACT WITH ROTATING PARTS OR AUGERS IN PROGRESS AND HANDS.
- SHUT OFF ENGINE AND WAIT UNTIL ALL MOVING PARTS HAVE STOPPED BEFORE MAINTENANCE.
- USE CLEAN CUT TOOL OR WOODEN STICK TO REMOVE DISCHARGE CHUTE.

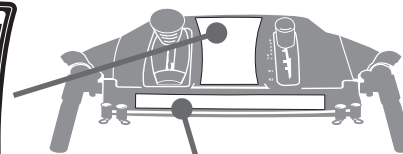


2.) 777D12620

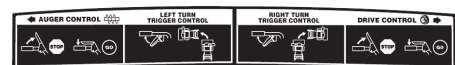


777D12625

6.) 777I23063

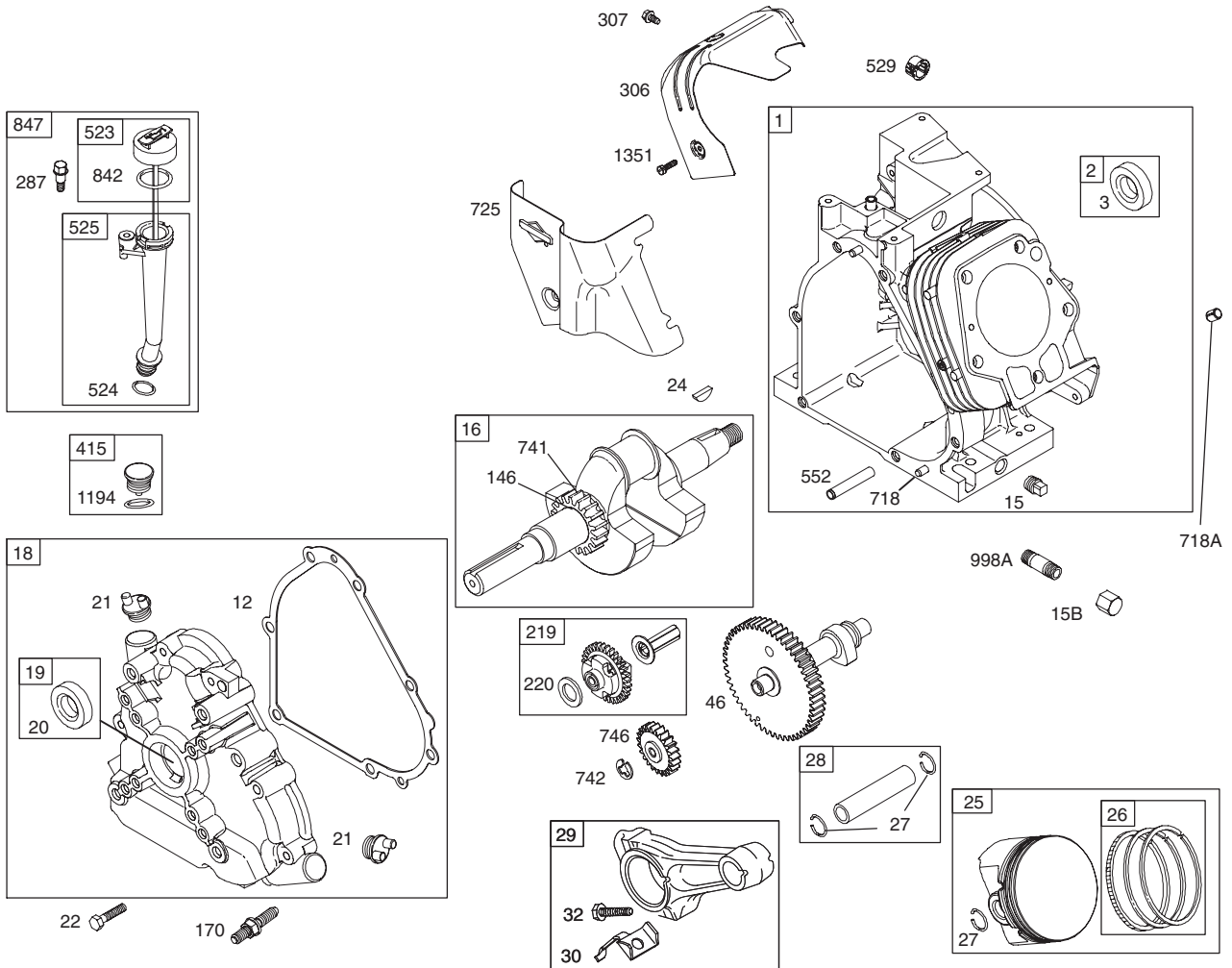


7.) 777I22340

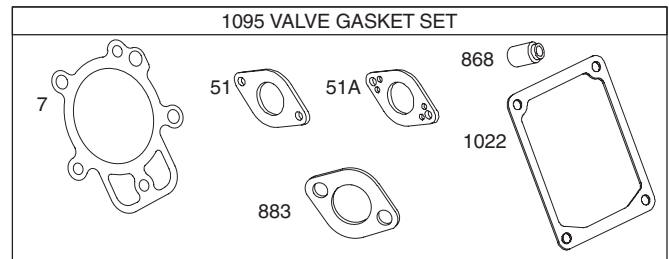
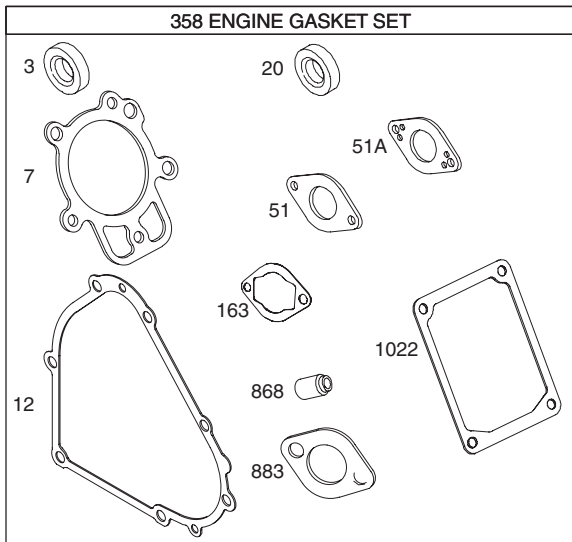
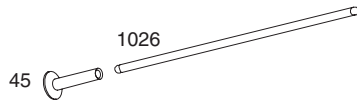
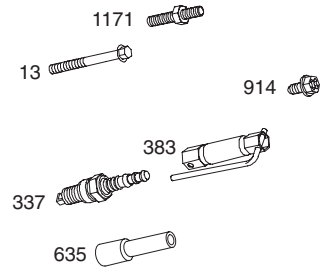
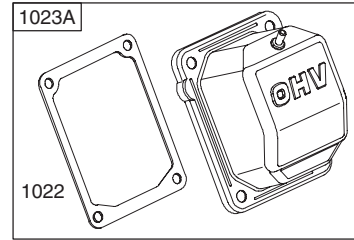
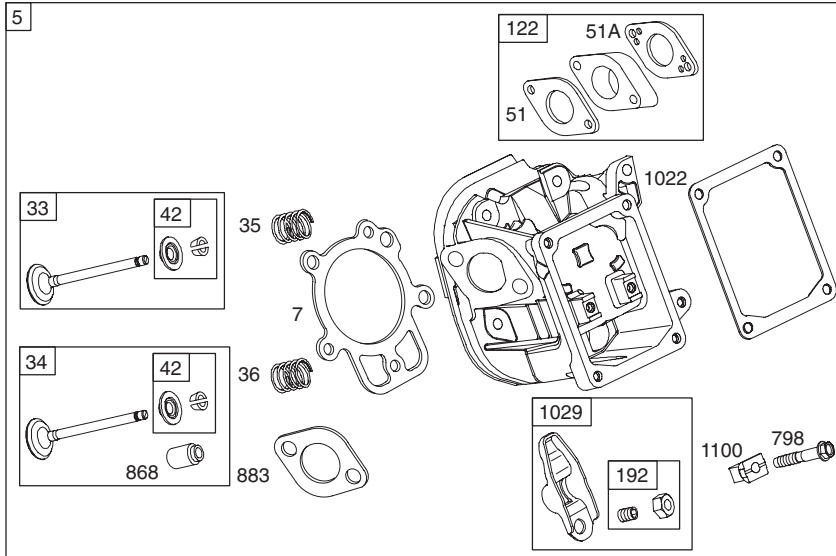


Ref.	Part Number	Description
1.	777D11351	Cub Cadet Panel Label
2.	777D12620	Auger Housing Label 30" Units
	777D12625	Auger Housing Label 33" Units
3.	777I22363	Auger Drive Label
4.	777S32280	Chute Danger Label
5.	777S32636	Auger Housing Danger Label
6.	777I23063	Handle Panel Chute Instructions
7.	777I22340	Handle Panel Drive Instructions

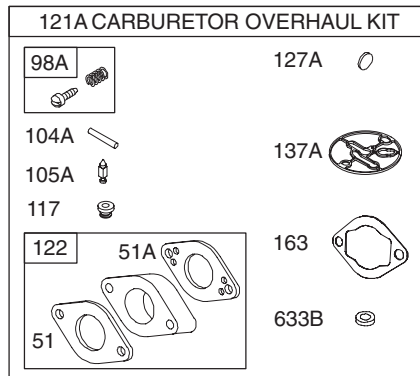
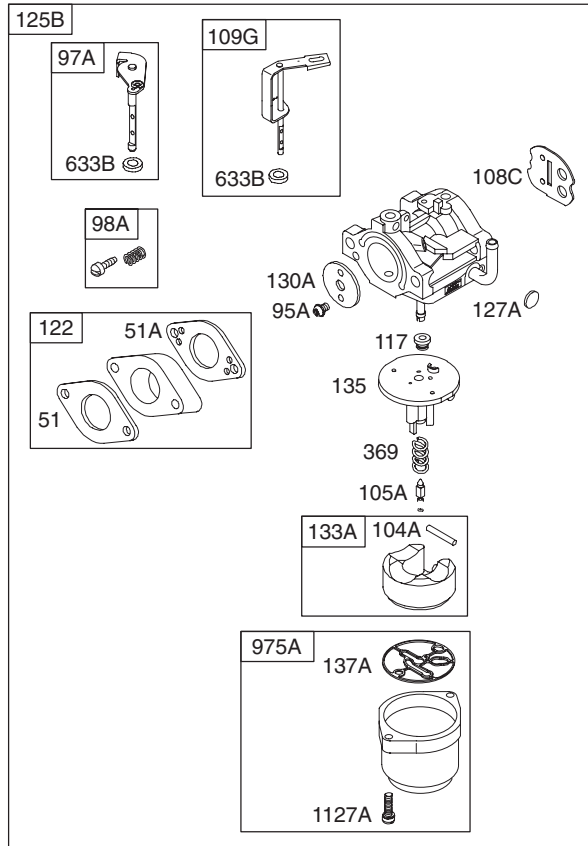
Cub Cadet 930SWE (Briggs & Stratton 20M314)



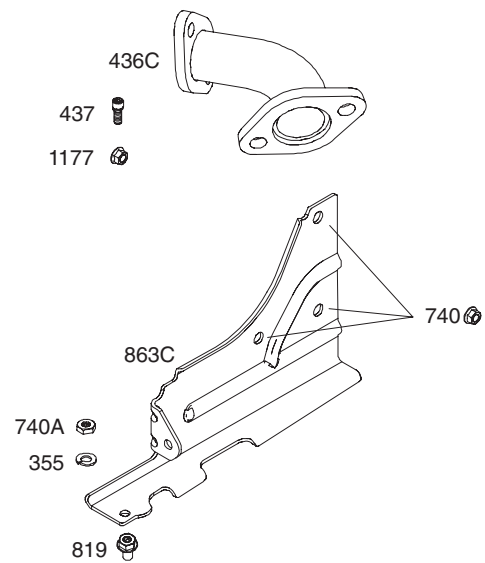
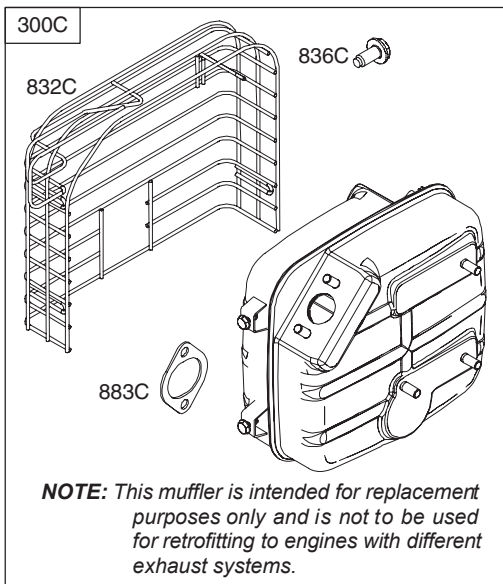
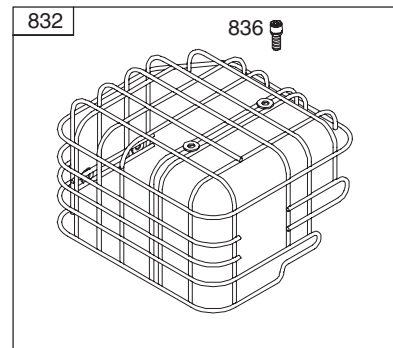
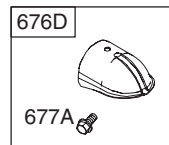
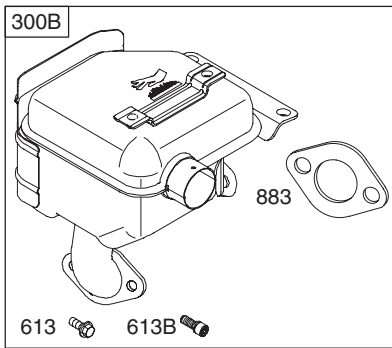
Cub Cadet 930SWE (Briggs & Stratton 20M314)



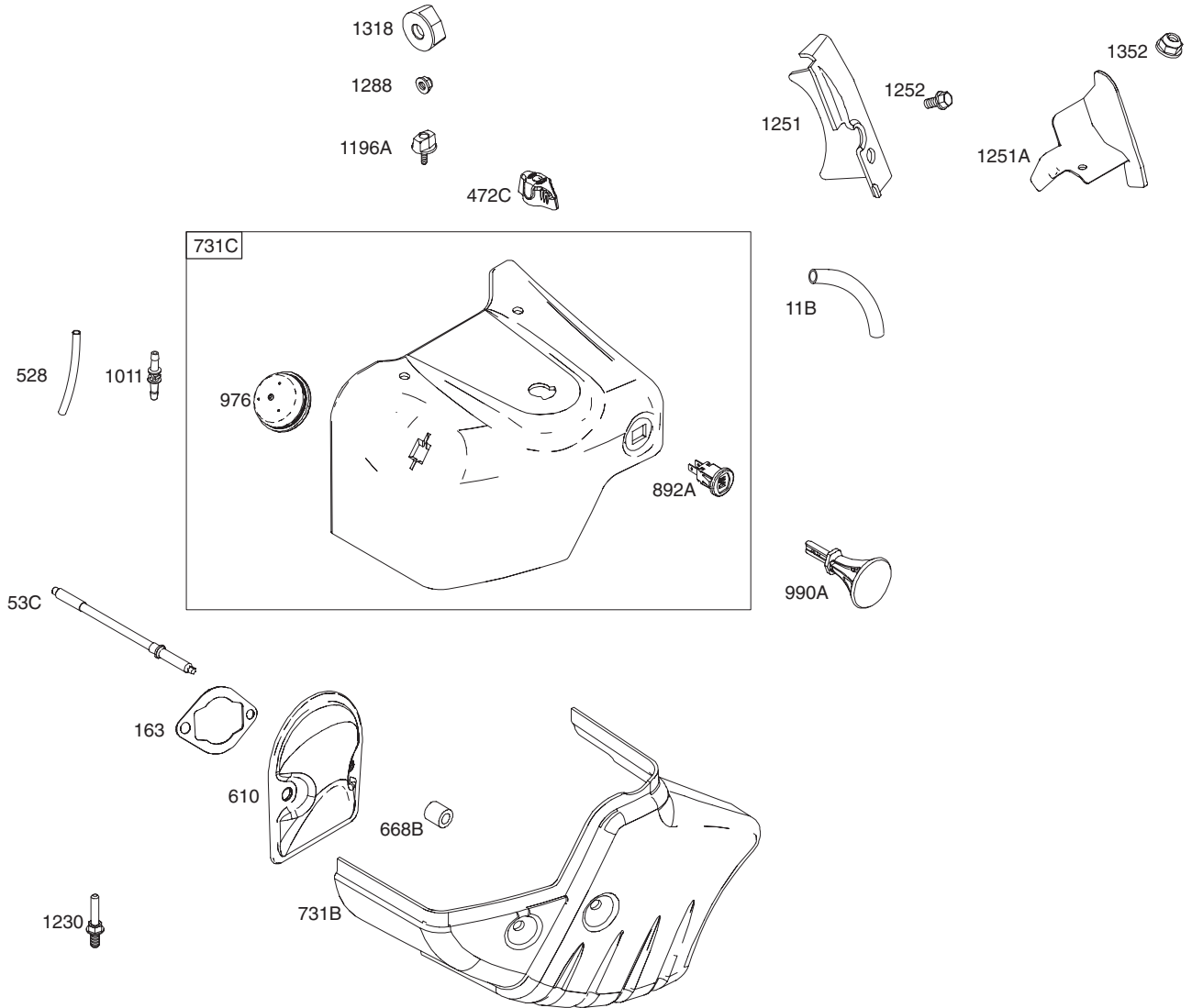
Cub Cadet 930SWE (Briggs & Stratton 20M314)



Cub Cadet 930SWE (Briggs & Stratton 20M314)

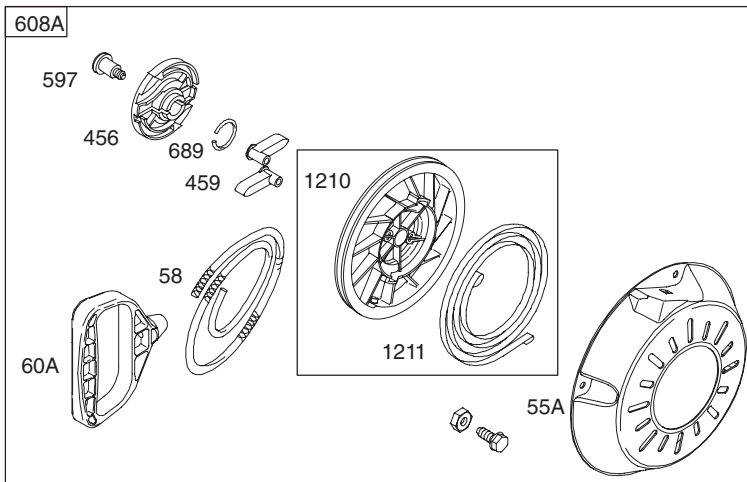
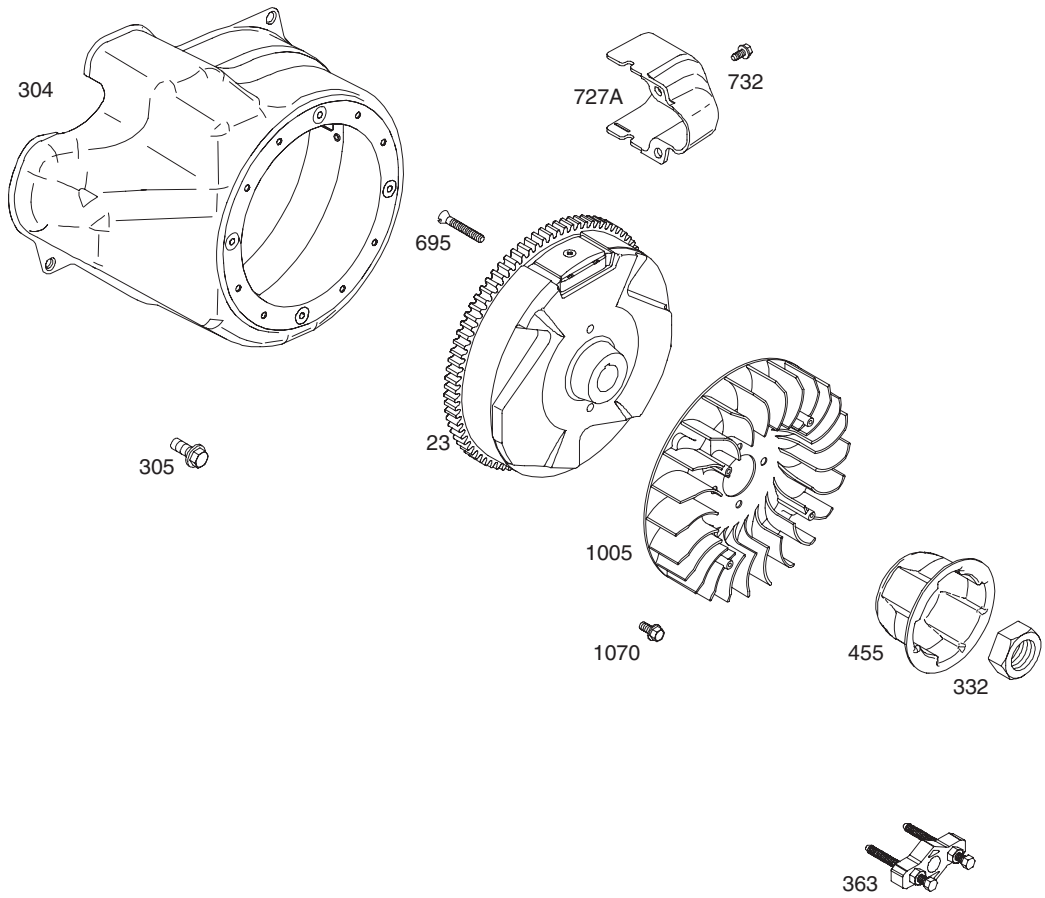


Cub Cadet 930SWE (Briggs & Stratton 20M314)

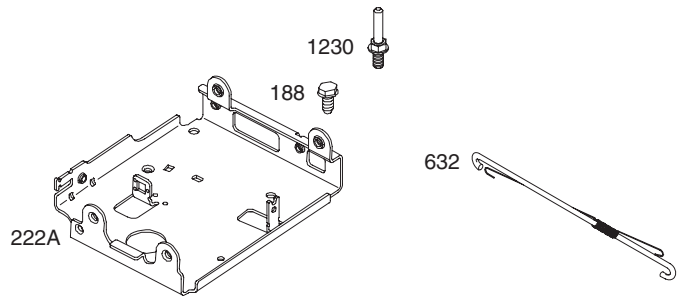
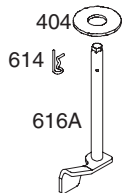
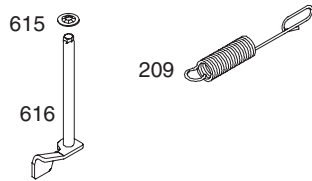
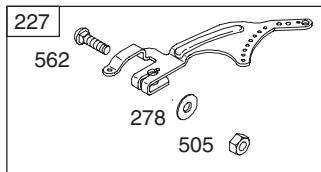
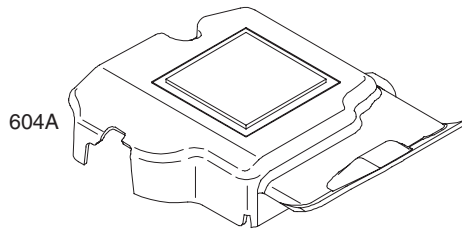
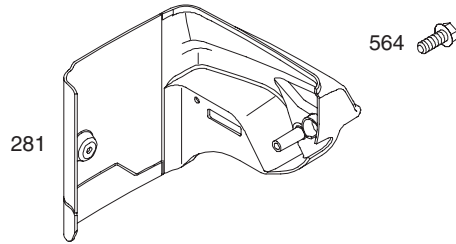
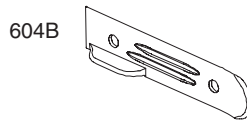
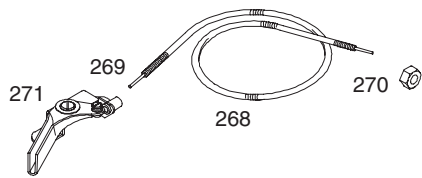


Cub Cadet 930SWE (Briggs & Stratton 20M314)







1036 EMISSIONS LABEL




Cub Cadet 930SWE (Briggs & Stratton 20M314)

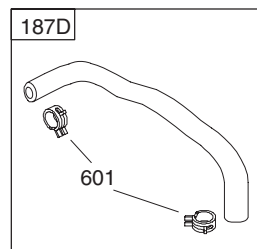
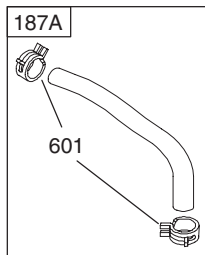
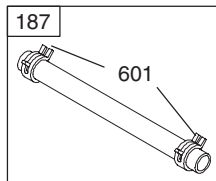
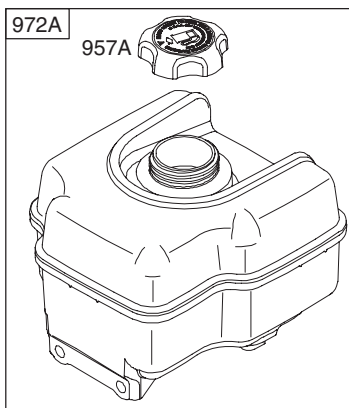
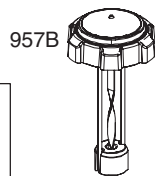
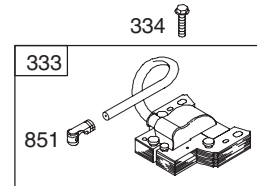
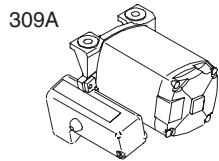


Cub Cadet 930SWE (Briggs & Stratton 20M314)

DUAL CIRCUIT	DC ONLY	DUAL CIRCUIT
474B 	474F 	474H 
878 	578A 	878 

NOTE: All stators use a No. 1119 mounting screw 

NOTE: The proper flywheel part number and/or the alternator magnet size will determine the alternator type or output. See repair instruction manual for additional information.



Cub Cadet 930SWE (Briggs & Stratton 20M314)

Ref.	Part Number	Description
1	794849	Cylinder Assembly
2	698340	Kit–Bushing/Seal (Magneto Side)
3	*391086S	Seal–Oil (Magneto Side)
5	794871	Head–Cylinder
7	*Δ694872	Gasket–Cylinder Head
11B	696750	Tube–Breather
12	*694953	Gasket–Crankcase
13	794829	Screw (Cylinder Head)
15	691686	Plug–Oil Drain
15B	695757	Plug–Oil Drain
16	794720	Crankshaft
18	791965	Cover–Crankcase
19	698340	Kit–Bushing/Seal (PTO Side)
20	*391086S	Seal–Oil (PTO Side)
21	281658S	Cap–Oil Fill
22	794825	Screw(Crankcase Cover/Sump)
23	794812	Flywheel
24	222698S	Key–Flywheel
25	792117	Piston Assembly (Standard)
27	690975	Lock–Piston Pin
28	696581	Pin–Piston
29	694691	Rod–Connecting
30	694692	Dipper–Connecting Rod
32	690976	Screw (Connecting Rod)
33	499596	Valve–Exhaust
34	795199	Valve–Intake
35	694865	Spring–Valve (Intake)
36	694865	Spring–Valve (Exhaust)
42	499586	Keeper–Valve
45	690977	Tappet–Valve
46	795697	Camshaft
51	*Δ694874	Gasket–Intake
51A	*Δ694875	Gasket–Intake
53C	795017	Stud (Carburetor)
55A	696710	Housing–Rewind Starter
58	693389	Rope–Starter (Cut To Required Length)
60A	699334	Grip–Starter Rope

Ref.	Part Number	Description
65	699851	Screw (Rewind Starter)
95A	690718	Screw (Throttle Valve)
97A	696387	Shaft–Throttle
98A	•695408	Kit–Idle Speed
104A	•694918	Pin–Float Hinge
105A	•696136	Valve–Float Needle
108C	696736	Valve–Choke
109G	793520	Shaft–Choke
117	•696134	Jet–Main (Standard)
118	696135	Jet–Main (High Altitude)
121A	696146	Kit–Carburetor Overhaul (Nikki Carburetor)
122	•694876	Spacer–Carburetor
125B	794593	Carburetor
127A	•690727	Plug–Welch
130A	696139	Valve–Throttle
133A	694914	Float–Carburetor
135	696142	Tube–Fuel Transfer
137A	•695426	Gasket–Float Bowl
146	690979	Key–Timing
163	*•692277	Gasket–Air Cleaner
170	794833	Stud (Crankcase Cover/Sump)
187	791766	Line–Fuel (15 Inches Long) (Cut To Required Length)
187A	791869	Line–Fuel
187D	791879	Line–Fuel
188	699479	Screw (Control Bracket)
190	699220	Screw (Fuel Tank)
192	690083	Adjuster–Rocker Arm
209	695491	Spring–Governor
219	693578	Gear–Governor
220	691724	Washer (Governor Gear)
222A	794801	Bracket–Control
227	694864	Lever–Governor Control
268	691025	Casing–Control Wire (Cut To Required Length)
269	691026	Wire–Control (Cut To Required Length)
270	691027	Nut

* — Included in Engine Gasket Set–Ref. No. 358.

• — Included in Carburetor Overhaul Kit–Ref. No. 121A.

Δ — Included in Valve Gasket Set–Ref. No. 1095.

Cub Cadet 930SWE (Briggs & Stratton 20M314)

Ref.	Part Number	Description
271	691028	Lever—Control
278	792008	Washer (Governor Control Lever)
281	697268	Panel—Control
287	699629	Screw (Dipstick Tube)
300B	794948	Muffler
300C	793701	Muffler
304	795699	Housing—Blower
305	699481	Screw (Blower Housing)
306	697240	Shield—Cylinder
307	794822	Screw
309A	793524	Motor—Starter
332	794824	Nut (Flywheel)
333	492341	Armature—Magneto
334	699477	Screw (Magneto Armature)
337	491055S	Plug—Spark
356	692603	Wire—Stop
358	795201	Gasket Set—Engine
363	19203	Puller—Flywheel
369	695422	Spring—Float Bowl
383	19374S	Wrench—Spark Plug
404	795759	Washer (Governor Crank)
415	691363	Plug
436C	792374	Manifold—Exhaust
437	794844	Screw (Exhaust Manifold)
455	795011	Cup—Flywheel
456	692299	Plate—Pawl Friction
459	281505S	Pawl—Ratchet
472C	791948	Knob—Choke Shaft
474B	696742	Alternator
474F	793640	Alternator
474H	698230	Alternator
505	691251	Nut
523	790477	Dipstick
524	691876	Seal—Dipstick Tube
525	792041	Tube—Dipstick
528	793006	Hose—Primer (Cut to Required Length)
529	791822	Grommet

Ref.	Part Number	Description
552	694674	Bushing—Governor Crank
562	793216	Bolt (Governor Control Lever)
564	699854	Screw (Control Cover)
578A	792576	Wire Assembly
597	691696	Screw (Pawl Friction Plate)
601	791850	Clamp—Hose
604A	696758	Cover—Control
604B	790473	Cover—Control
608A	699335	Starter—Rewind
610	794541	Arrester—Intake
613	794846	Screw (Muffler)
613B	794844	Screw (Muffler)
614	691620	Pin—Cotter (Governor Crank)
615	694676	Retainer—Governor Shaft (Governor Gear)
616	694675	Crank—Governor
616A	795758	Crank—Governor
632	695917	Spring/Link—Mechanical Governor
633B	*690998	Seal—Choke/Throttle Shaft
635	691909	Boot—Spark Plug (Alternator)
668B	794539	Spacer (Snow Hood)
676D	794213	Deflector—Muffler
677A	699776	Screw (Muffler Deflector)
689	691855	Spring—Friction
695	698807	Screw (Ring Gear)
697	795012	Screw (Drive Cap)
718	690959	Pin—Locating (Cylinder)
718A	695178	Pin—Locating (Head)
725	696756	Shield—Heat
727A	697465	Cover—Starter Drive
731B	794540	Hood—Snow
731C	793621	Hood—Snow
732	699200	Screw (Starter Drive Cover)
740A	794843	Nut (Muffler Bracket)
741	691288	Gear—Timing
742	692564	Retainer—E Ring
746	694679	Gear—Idler
798	697890	Screw (Rocker Arm)

* — Included in Engine Gasket Set—Ref. No. 358.

• — Included in Carburetor Overhaul Kit—Ref. No. 121A.

Δ — Included in Valve Gasket Set—Ref. No. 1095.

Cub Cadet 930SWE (Briggs & Stratton 20M314)

Ref.	Part Number	Description
819	794832	Screw (Muffler Bracket)
832	795078	Guard Muffler
832C	792380	Guard–Muffler
836	699234	Screw (Muffler Guard)
836C	710023	Screw (Muffler Guard)
842	691031	Seal–O Ring (Dipstick Tube)
847	790476	Dipstick/Tube Assembly
851	692424	Terminal–Spark Plug
863C	793700	Bracket–Muffler
868	*Δ794086	Seal–Valve
878	398661	Wire/Connector–Alternator
883	*Δ695398	Gasket–Exhaust
883C	710250	Gasket–Exhaust
892A	791944	Switch–Key
914	794827	Screw (Rocker Cover)
930	696709	Guard–Rewind
957	795027	Cap–Fuel Tank (Plastic)
957A	792647	Cap–Fuel Tank (Plastic, Fresh Start)
957B	698109	Cap–Fuel Tank (Plastic)
958	698180	Valve–Fuel Shut Off (Plastic)
972A	694260	Tank–Fuel (Plastic)
975A	696138	Bowl–Float
976	793382	Primer–Carburetor
990A	794696	Key Set
998A	696683	Pipe–Oil
1005	794815	Fan–Flywheel
1011	794544	Tube–Vent
1022	*Δ690971	Gasket–Rocker Cover

Ref.	Part Number	Description
1023A	698042	Cover–Rocker
1026	695177	Rod–Push
1029	690972	Arm–Rocker
1036		Label–Emissions (Available From A Briggs & Stratton Authorized Dealer)
1058	277104	Operator’s Manual
1070	794821	Screw (Flywheel Fan)
1095	795200	Gasket Set–Valve
1100	791959	Pivot–Rocker Arm
1119	699772	Screw (Alternator)
1127A	695407	Screw (Float Bowl)
1171	794828	Stud (Rocker Cover)
1177	710090	Nut (Muffler)
1194	691876	Seal–O Ring (Plug)
1196A	696692	Screw (Snow Hood)
1210	498144	Pulley/Spring Assembly (Pulley)
1211	498144	Pulley/Spring Assembly (Spring)
1230	699847	Stud (Control Bracket)
1251	696762	Shield–Snow
1251A	790471	Shield–Snow
1252	699481	Screw (Snow Shield)
1288	794838	Nut (Snow Hood)
1318	698111	Knob–Snow Hood
1319	794467	Label–Warning
1351	794847	Stud (Cylinder Shield)
1352	795016	Nut (Spark Plug Shield)

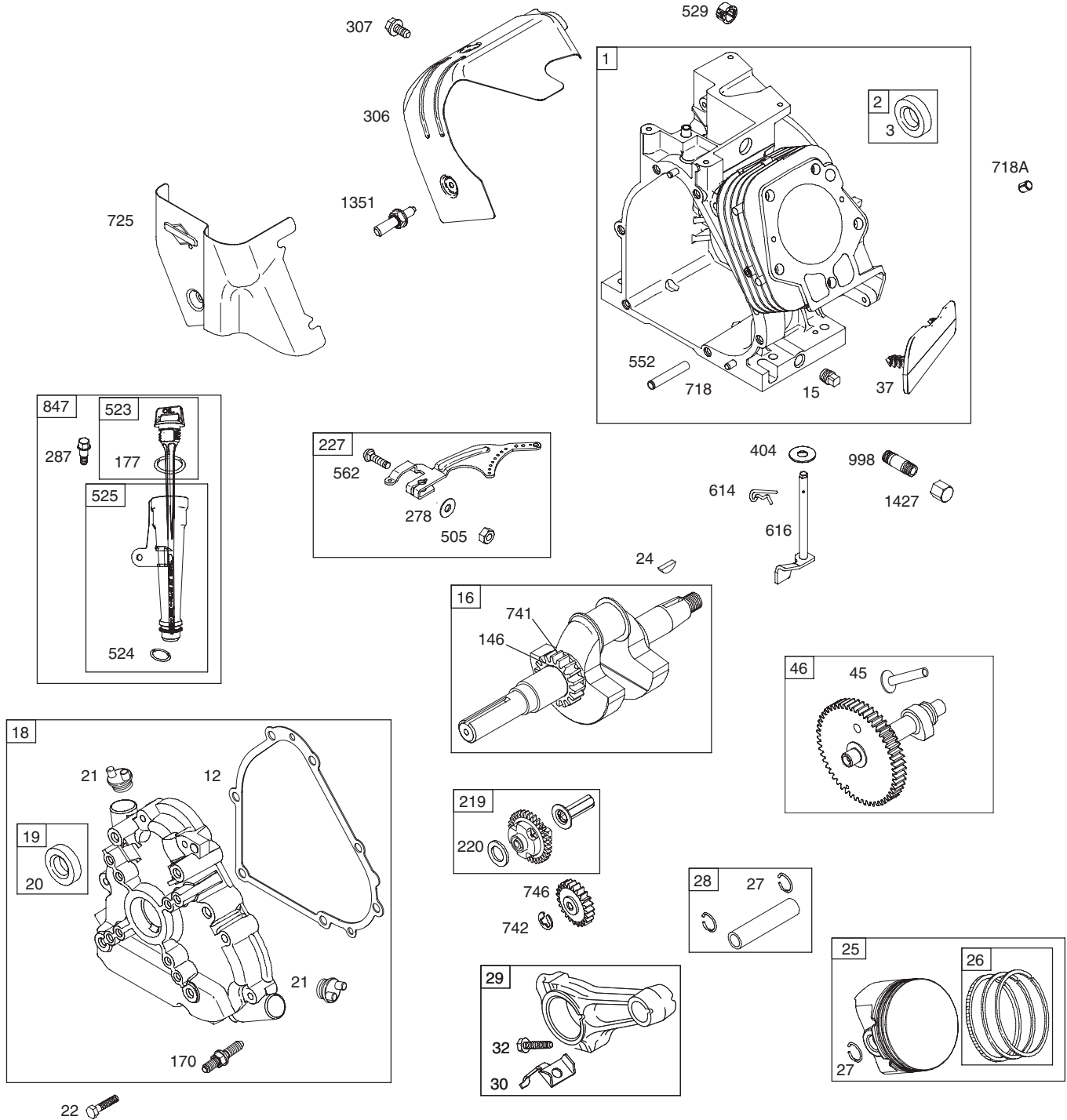
- * — Included in Engine Gasket Set–Ref. No. 358.
- — Included in Carburetor Overhaul Kit–Ref. No. 121A.
- Δ — Included in Valve Gasket Set–Ref. No. 1095.

Cub Cadet 933SWE (Briggs & Stratton 21M114)

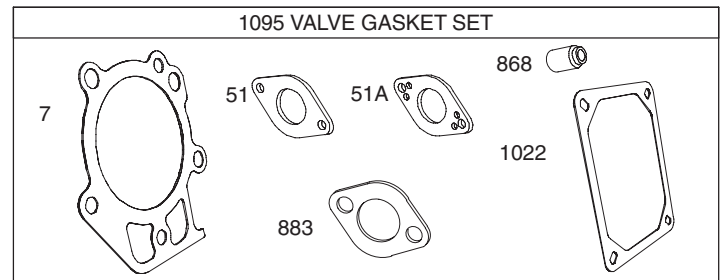
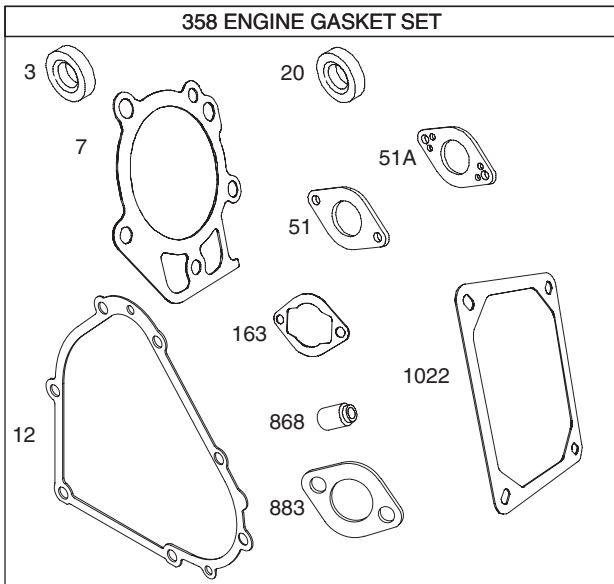
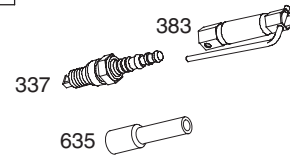
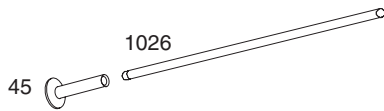
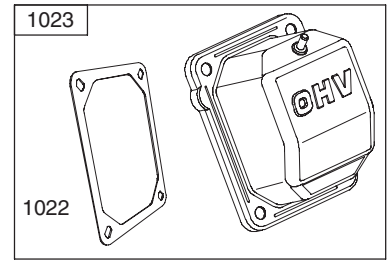
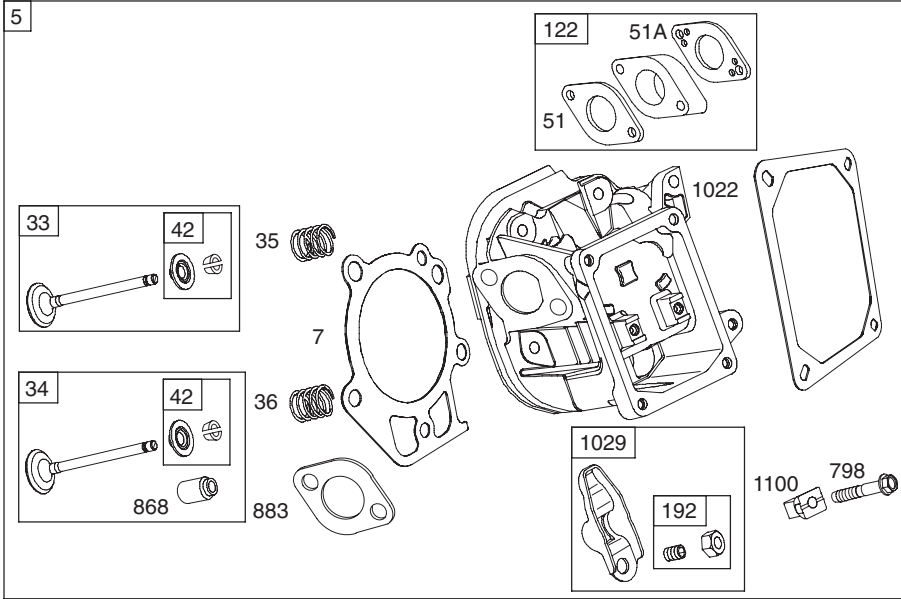
1058 OPERATOR'S MANUAL

48 SHORT BLOCK

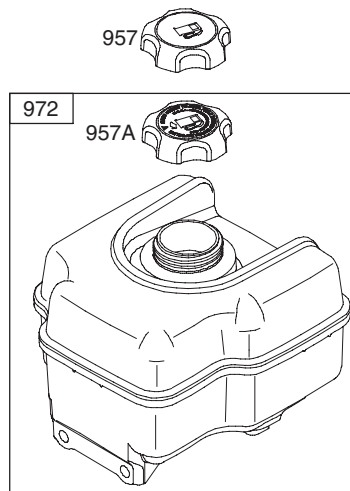
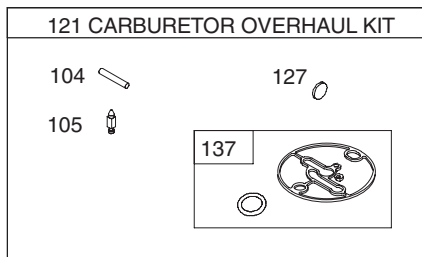
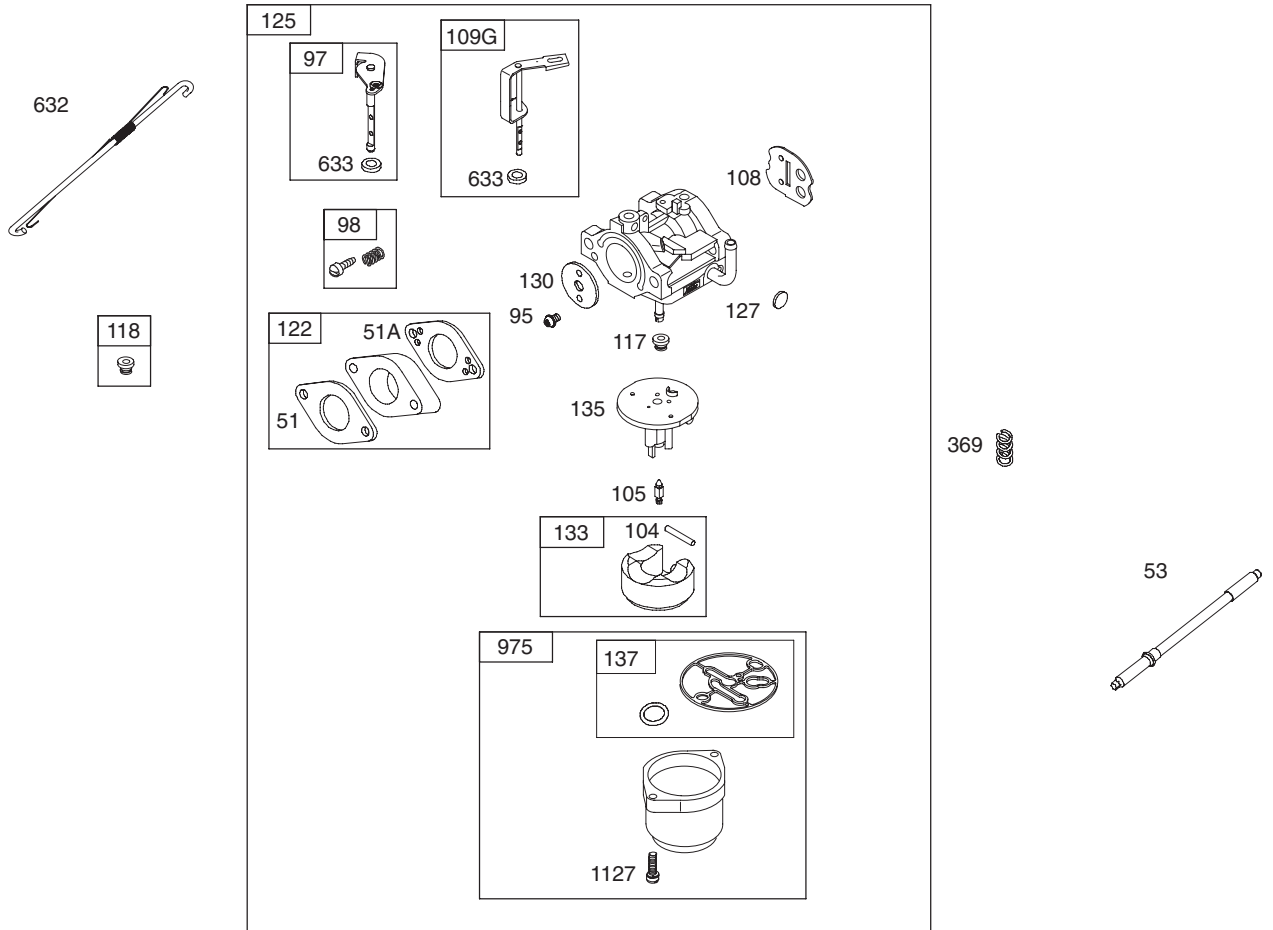
1329 REPLACEMENT ENGINE



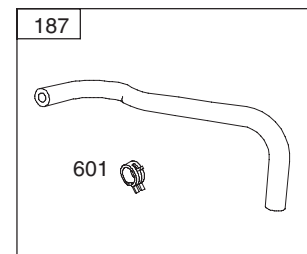
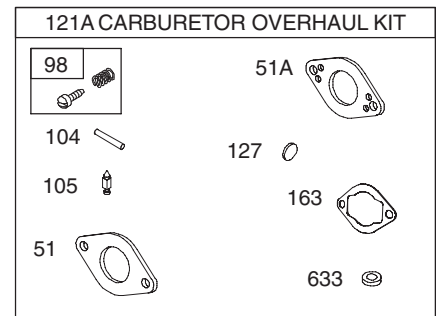
Cub Cadet 933SWE (Briggs & Stratton 21M114)



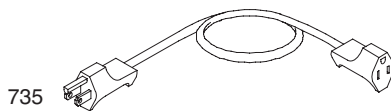
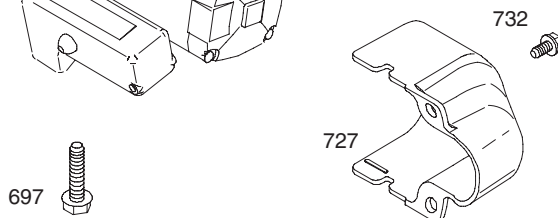
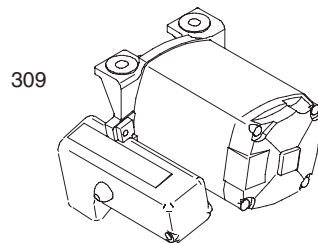
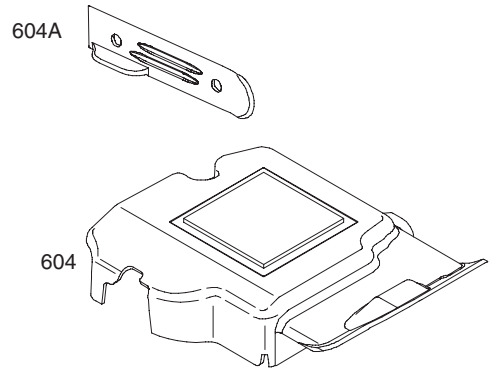
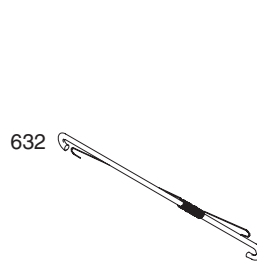
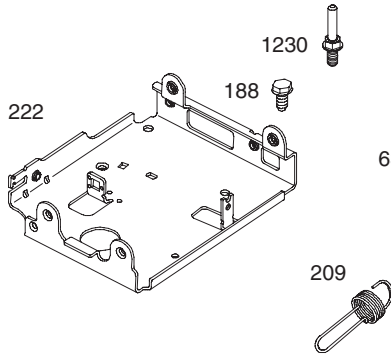
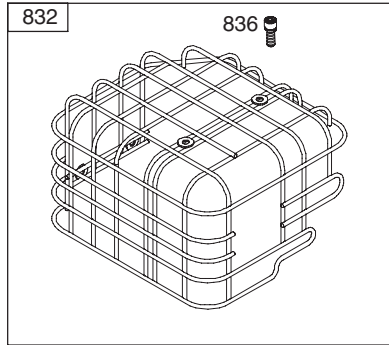
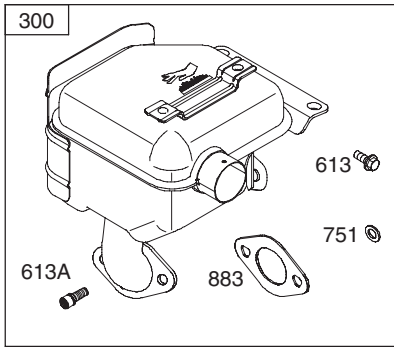
Cub Cadet 933SWE (Briggs & Stratton 21M114)



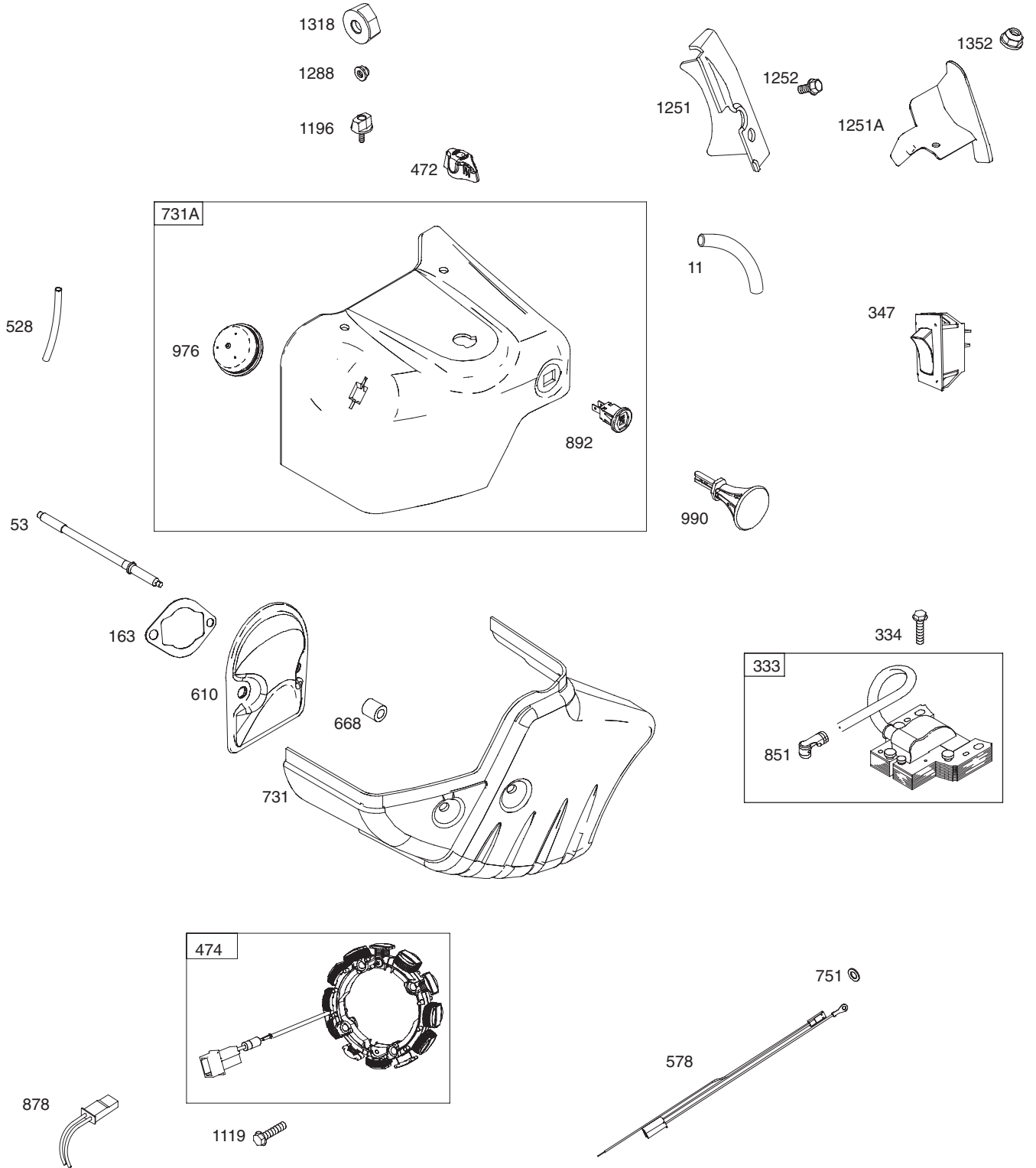
190



Cub Cadet 933SWE (Briggs & Stratton 21M114)

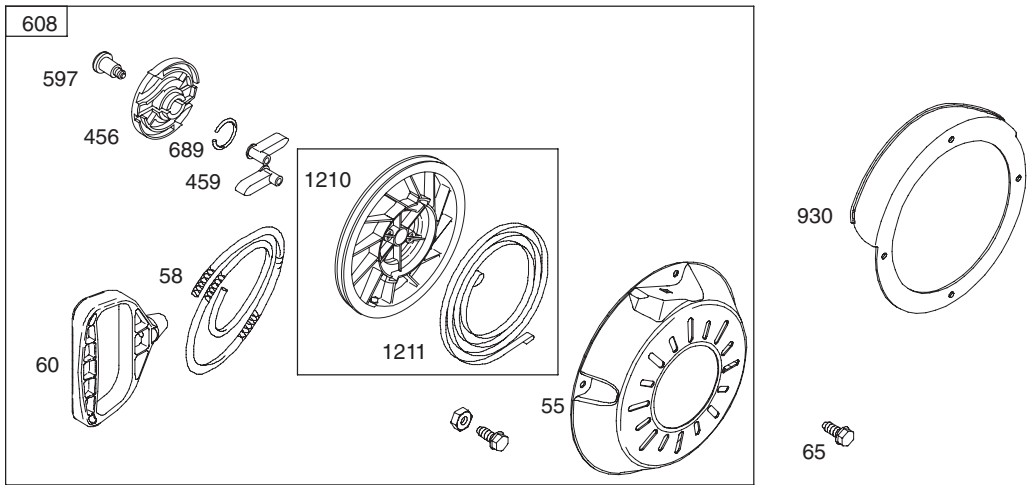
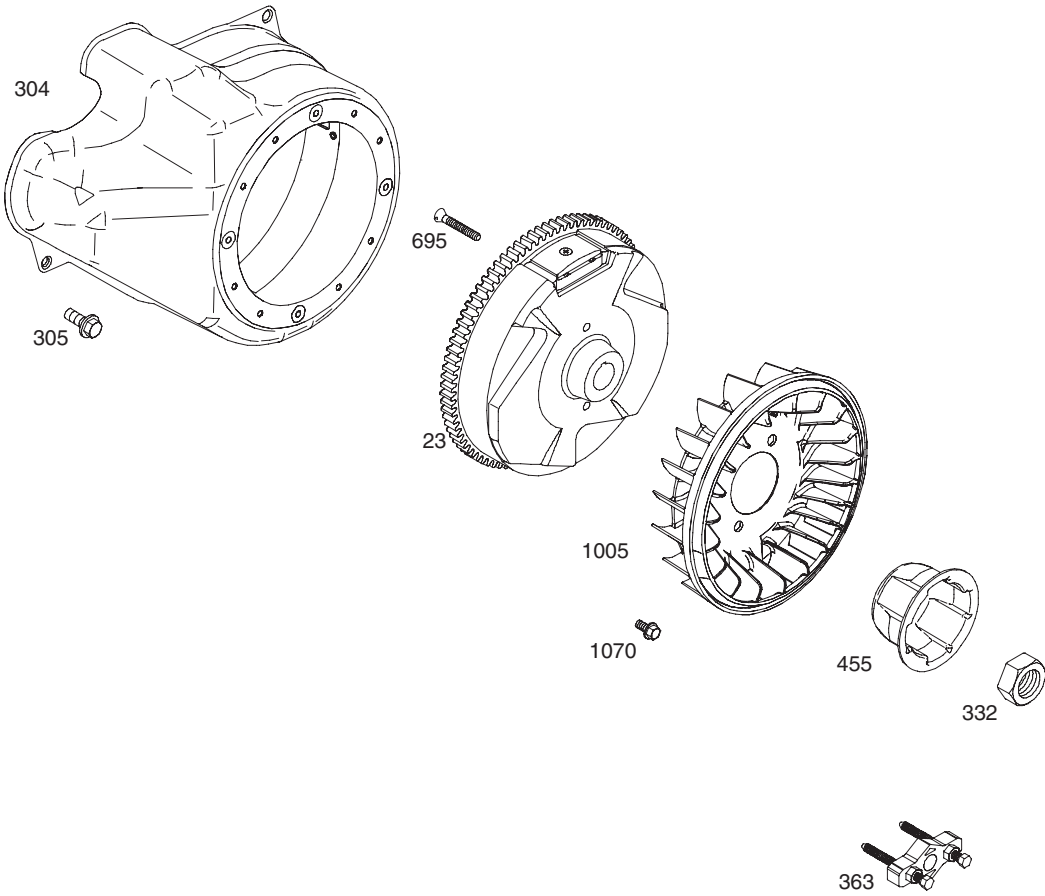


Cub Cadet 933SWE (Briggs & Stratton 21M114)



Cub Cadet 933SWE (Briggs & Stratton 21M114)

1036 EMISSIONS LABEL



Cub Cadet 933SWE (Briggs & Stratton 21M114)

Ref. No.	Part No.	Description
1	794850	Cylinder Assembly
2	698340	Kit-Bushing/Seal (Magneto Side)
3*	391086s	Seal-Oil (Magneto Side)
5	794871	Head-Cylinder
7*+	697690	Gasket-Cylinder Head
11	696750	Tube-Breather
12*	694953	Gasket-Crankcase
13	794829	Screw (Cylinder Head)
15	691686	Plug-Oil Drain
16	794716	Crankshaft
18	791965	Cover-Crankcase
19	698340	Kit-Bushing/Seal (PTO Side)
20*	391086s	Seal-Oil (PTO Side)
21	281658s	Cap-Oil Fill
22	794825	Screw (Crankcase Cover/Sump)
23	794812	Flywheel
24	222698s	Key-Flywheel
25	793318	Piston Assembly (Standard)
	793325	Piston Assembly (.020" Oversize)
26	793319	Ring Set (Standard)
	793324	Ring Set (.020" Oversize)
27	690975	Lock-Piston Pin
28	696581	Pin-Piston
29	694691	Rod-Connecting
30	694692	Dipper-Connecting Rod
32	690976	Screw (Connecting Rod)
33	499596	Valve-Exhaust
34	795199	Valve-Intake
35	694865	Spring-Valve (Intake)
36	694865	Spring-Valve (Exhaust)
37	795715	Guard-Flywheel
42	499586	Keeper-Valve
45	690977	Tappet-Valve
46	795697	Camshaft
48	794914	Short Block
51*+	694874	Gasket-Intake
51A*+	694875	Gasket-Intake
53	795017	Stud (Carburetor)
55	696710	Housing-Rewind Starter
58	693389	Rope-Starter (Cut To Req. Length)

Ref. No.	Part No.	Description
60	699334	Grip-Starter Rope
65	699851	Screw (Rewind Starter)
95^	690718	Screw (Throttle Valve)
97	696387	Shaft-Throttle
98	695408	Kit-Idle Speed
104^	694918	Pin-Float Hinge
105^	696136	Valve-Float Needle
108	696736	Valve-Choke
109	793520	Shaft-Choke
117	796080	Jet-Main (Standard) (Used After Code Date: 08050600)
	696134	Jet-Main (Standard) (Used Before Code Date: 08050700)
118	796128	Jet-Main (High Altitude) (Used After Code Date: 08050600)
	696135	Jet-Main (High Altitude) (Used Before Code Date: 08050700)
121	698787	Kit-Carburetor Overhaul (Used After Code Date: 08050600)
121A	696146	Kit-Carburetor Overhaul (Used Before Code Date: 08050700)
122%	694876	Spacer-Carburetor
125	796122	Carburetor (Used After Code Date: 08050600)
	794593	Carburetor (Used Before Code Date: 08050700)
127^	690727	Plug-Welch
130	696139	Valve-Throttle
133	694914	Float-Carburetor
135^	698780	Tube-Fuel Transfer (Used After Code Date: 08050600)
	696142	Tube-Fuel Transfer (Used Before Code Date: 08050700)
137%	698781	Gasket-Float Bowl (Used After Code Date: 08050600)
	695426	Gasket-Float Bowl (Used Before Code Date: 08050700)
146	690979	Key-Timing
163*%	692277	Gasket-Air Cleaner
170	794833	Stud (Crankcase Cover/Sump)

Cub Cadet 933SWE (Briggs & Stratton 21M114)

Ref. No.	Part No.	Description	Ref. No.	Part No.	Description
177	795015	Seal-O Ring (Dipstick)	529	791822	Grommet
187	699479	Line-Fuel	552	694674	Bushing-Governor Crank
188	691693	Screw (Control Bracket)	562	793216	Bolt (Governor Control Lever)
192	690083	Adjuster-Rocker Arm	578	792576	Wire Assembly
209	695491	Spring-Governor	597	691696	Screw (Pawl Friction Plate)
219	693578	Gear-Governor	601	791850	Hose-Clamp
220	691724	Washer (Governor Gear)	604	696758	Cover-Control
222	794801	Bracket-Control	604A	790473	Cover-Control
227	694864	Lever-Governor Control	608	699335	Starter-Rewind
232	691842	Spring-Governor Link	610	794541	Arrester-Intake
238	691843	Cap-Valve	613	794846	Screw (Muffler) (Short)
278	792008	Washer (Governor Control Lever)	613A	691678	Screw (Muffler) (Torx)
287	699269	Screw (Dipstick Tube)	614	691620	Pin-Cotter (Governor Crank)
300	794948	Muffler	616	795758	Crank-Governor
304	795699	Housing-Blower	632	695917	Spring/Link-Mechanical Governor
305	699480	Screw (Blower Housing)	633	690998	Seal-Choke/Throttle Shaft
306	697240	Shield-Cylinder	635	691909	Boot-Spark Plug
307	794822	Screw (Cylinder Shield)	668	794539	Spacer (Snow Hood)
309	793524	Motor-Starter	689	691855	Spring-Friction
332	794824	Nut (Flywheel)	695	698807	Screw (Ring Gear)
333	492341	Armature-Magneto	697	795012	Screw (Drive Cap)
334	699477	Screw (Magneto Armature)	718	690959	Pin-Locating (Cylinder)
337	491055s	Plug-Spark	718A	695178	Pin-Locating (Cylinder Head)
347	698338	Switch-Rocker	725	696756	Shield-Heat
358	795201	Gasket Set-Engine	727	697465	Cover-Starter Drive
363	19203	Puller-Flywheel	731	794540	Hood-Snow (Bottom)
369	695422	Spring-Float Bowl (Used Before Code Date: 08050700)	731A	793621	Hood-Snow
383	19374s	Wrench-Spark Plug	732	699200	Screw (Starter Drive Cover)
404	795759	Washer (Governor Crank)	735	795901	Cord-Starter
455	795011	Cup-Flywheel	741	691288	Gear-Timing
456	692299	Plate-Pawl Friction	742	692564	Retainer-E Ring
459	281505s	Pawl-Ratchet	746	694679	Gear-Idler
472	791948	Knob-Choke Shaft	751	794839	Washer (Stop Wire)
474	793118	Alternator	798	697890	Screw (Rocker Arm)
505	691251	Nut (Governor Control Lever)	832	795078	Guard-Muffler
523	790477	Dipstick	836	699234	Screw (Muffler Guard)
524	691876	Seal-Dipstick Tube	842	691031	Seal-O Ring (Dipstick Tube)
525	792041	Tube-Dipstick	847	795087	Dipstick/Tube Assembly
528	793006	Hose-Primer	851	692424	Terminal-Spark Plug
			868*+	794086	Seal-Valve

Cub Cadet 933SWE (Briggs & Stratton 21M114)

Ref. No.	Part No.	Description
878	398661	Wire/Connector-Alternator
883*+	695398	Gasket-Exhaust
892	791944	Switch-Key
914	794827	Screw (Rocker Cover)
930	696709	Guard-Rewind
957	795027	Cap-Fuel Tank
957A	792647	Cap-Fuel Tank (Fresh Start)
972	694260	Tank-Fuel
975	698783	Bowl-Float (Used After Code Date: 08050600)
	696138	Bowl-Float (Used Before Code Date: 08050700)
976	695756	Primer-Carburetor
990	794696	Key Set
998	696683	Pipe-Oil
1005	794815	Fan-Flywheel
1022*+	690971	Gasket-Rocker Cover
1023	698042	Cover-Rocker
1026	695177	Rod-Push
1029	690972	Arm-Rocker
1036		Label-Emissions (Available from a Briggs & Stratton Authorized Dealer)

Ref. No.	Part No.	Description
1058	277104	Operator's Manual
1070	794821	Screw (Flywheel Fan)
1095	795200	Gasket Set-Valve
1100	791959	Pivot-Rocker Arm
1119	699772	Screw (Alternator)
1127	695407	Screw (Float Bowl)
1171	794828	Stud (Rocker Cover)
1196	696692	Screw (Snow Hood)
1210	498144	Pulley/Spring Assembly (Pulley)
1211	498144	Pulley/Spring Assembly (Spring)
1230	699847	Stud (Control Bracket)
1251	696762	Shield-Snow
1251A	790471	Shield-Snow
1252	699480	Screw (Snow Shield)
1288	794383	Nut (Snow Shield)
1318	698111	Knob-Snow Hood
1329	21M414-0519-E1	Replacement Engine
1351	794847	Stud (Cylinder Shield)
1352	795016	Nut (Spark Plug Shield)
1427	695757	Cap-Pipe

* Included in Engine Gasket Set, Key Number 358

+ Included in Valve Gasket Set, Key Number 1095

^ Included in Carburetor Overhaul Kit, Key Number 121

% Included in Carburetor Overhaul Kit, Key Number 121A

CUB CADET LLC, P.O. BOX 361131 CLEVELAND, OHIO 44136-0019
