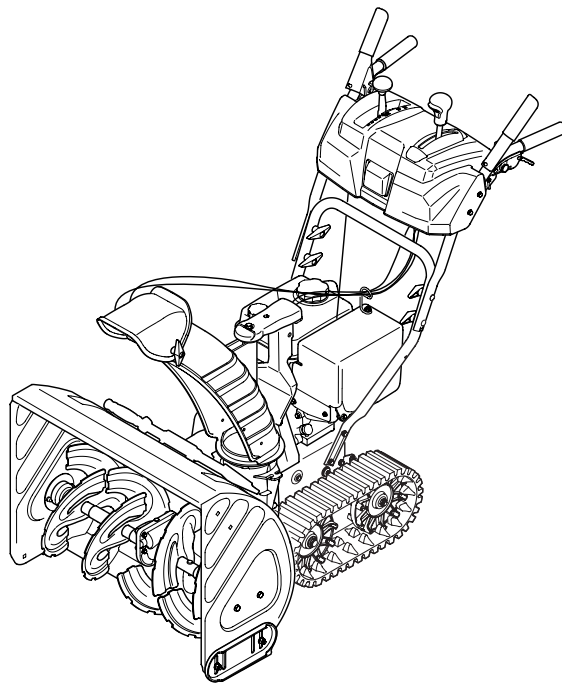

Cub Cadet.

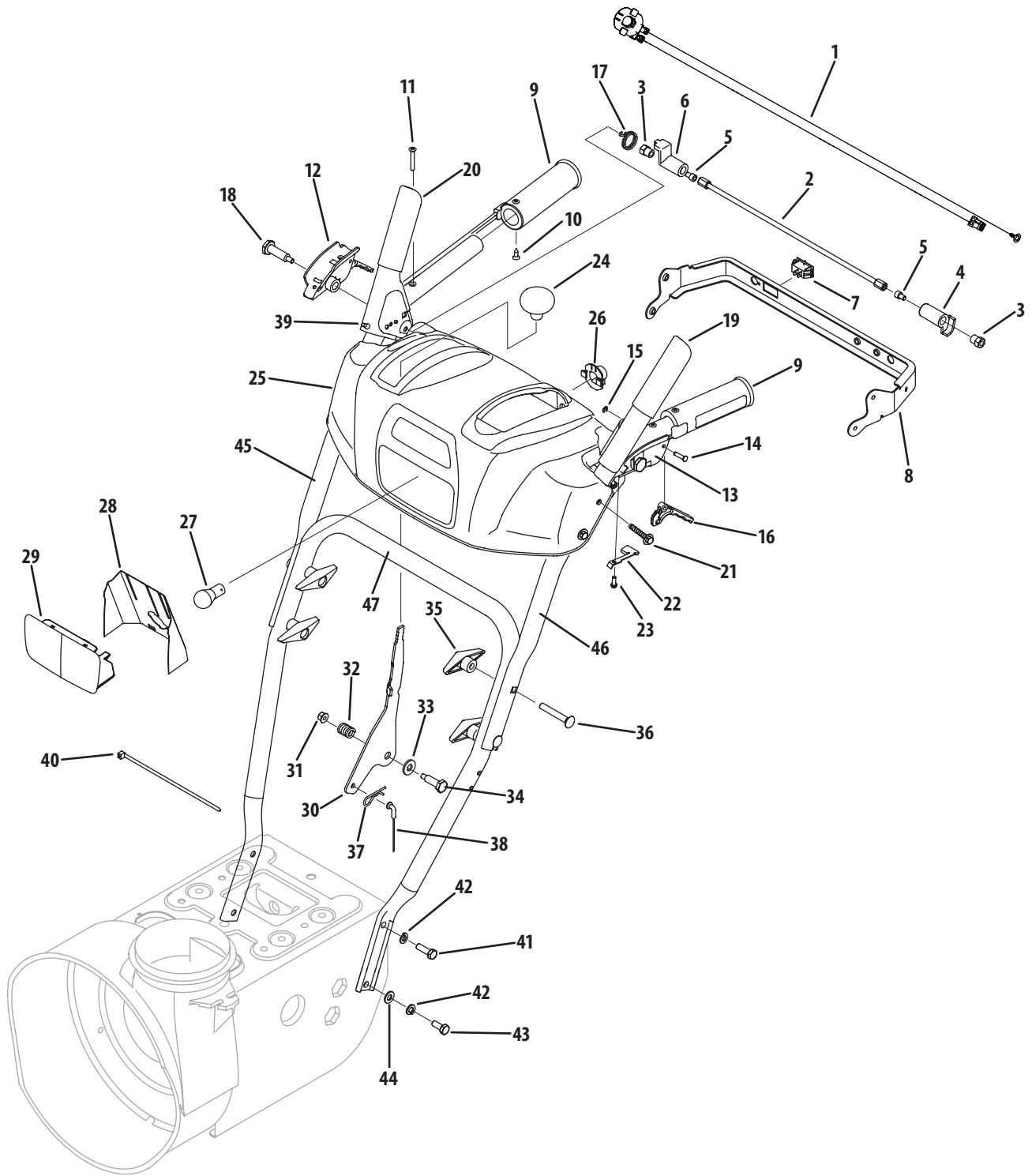
ILLUSTRATED PARTS MANUAL



726 TDE

CUB CADET LLC, P.O. BOX 361131 CLEVELAND, OHIO 44136-0019

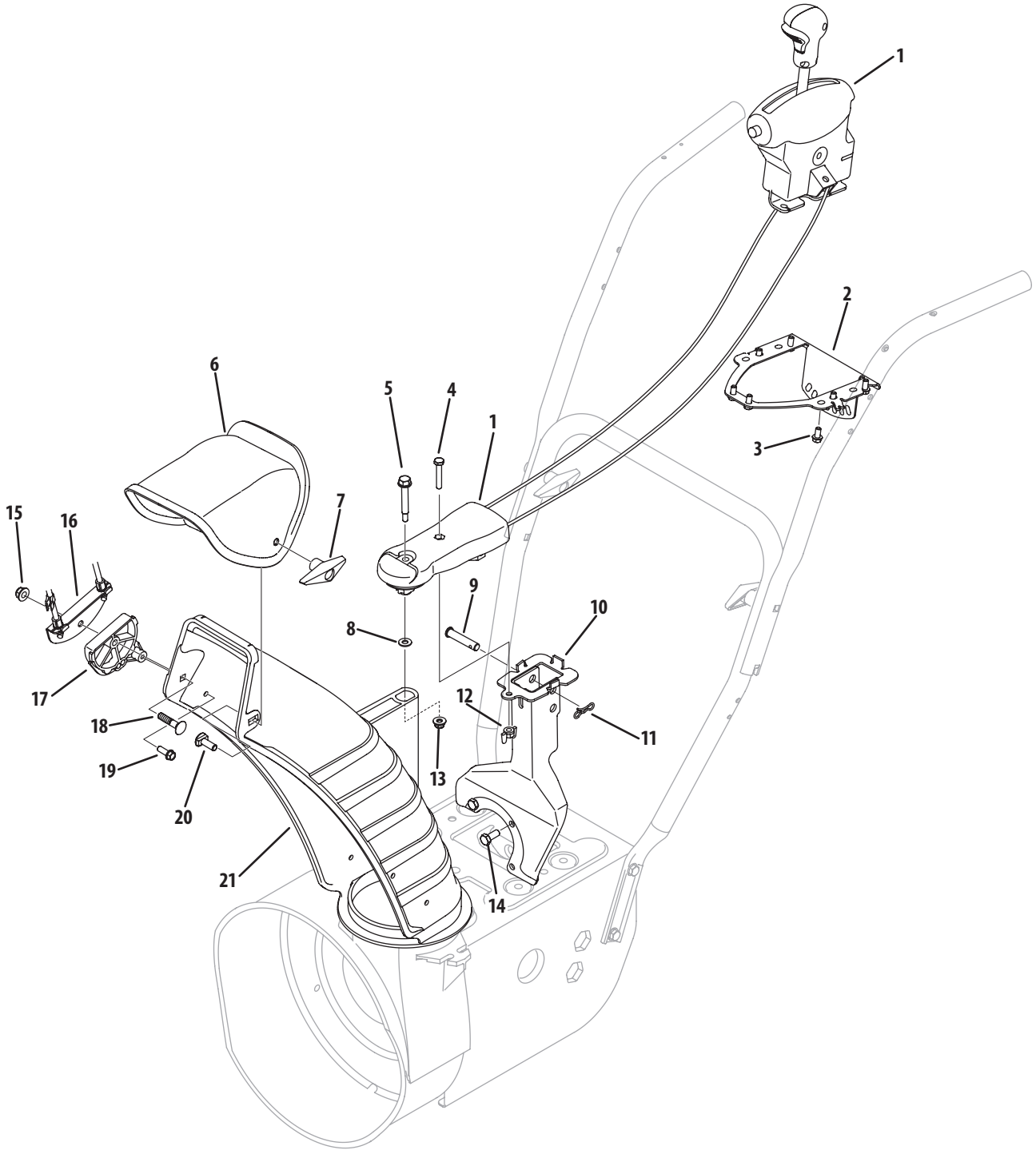
P/Q Style Panel



Ref.	Part Number	Description
1.	725-04694	Wire Harness
2.	684-04250	Clutch Lock Rod Assembly
3.	712-04081A	Hex Shoulder Nut, ¼-20
4.	731-04896B	Clutch Lock Cam
5.	710-3069	Socket Cap Screw ¼-20 x .50
6.	731-04894D	Lock Plate
7.	725-04393	Heated Grip Switch
8.	790-00248B	Panel Bracket
9.	725-1757	Heated Grip
10.	710-0837	AB Screw, #10-16 x .625
11.	710-1233	Machine Screw, #10-24 x 1.375
12.	631-04134B	Clutch Lock Handle Assembly, RH
13.	631-04133A	Clutch Lock Handle Assembly, LH
14.	738-04126	Pin, 3/16
15.	716-04036	E-Type Ring, .375
16.	731-04954	Clutch Trigger Lock
17.	732-04238	Torsion Spring, .8156 ID x .3038
18.	738-04348	Shoulder Screw, .437 x 1.345 x ¼-20
19.	684-04105B	Engagement Handle Assembly, LH
20.	684-04106B	Engagement Handle Assembly, RH
21.	710-04586	Hex Washer Screw, ¼-20 x 1.625
22.	732-04219C	Clutch Lock Spring
23.	710-04326	Hex Washer Screw, #8-16 x .50
24.	720-04039	Shift Knob

Ref.	Part Number	Description
25.	731-05335A	Handle Panel
26.	725-1649	Light Socket
27.	725-1629	Lamp
28.	777X41804	Lens Label
29.	731-05324	Lens
30.	790-00281A	Shift Lever
31.	712-04064	Flange Lock Nut, ¼-20
32.	732-0193	Compression Spring, .39 x .60 x .88
33.	736-0267	Flat Washer, .385 x .87 x .06
34.	738-04125	Shoulder Screw, .374 x 1.05
35.	720-0284	Knob Assembly, 5/16-18
36.	710-0449	Carriage Screw, 5/16-18 x 2.25
37.	714-0145	Click Pin, .092 x 1.64
38.	746-04518	Speed Selector Cable
39.	735-0199A	Rubber Bumper, .62 x .22
40.	725-0157	Cable Tie, 3/16 x .05 x 7.43
41.	710-0643	Hex Bolt, 5/16-18 x 1.00
42.	736-0119	Lock Washer, 5/16
43.	710-1880	Hex Bolt, 5/16-18 x .75
44.	736-0275	Flat Washer, .344 x .688 x .065
45.	749-04310	Upper Handle, RH
46.	749-04309	Upper Handle, LH
47.	749-0951A	Lower Handle

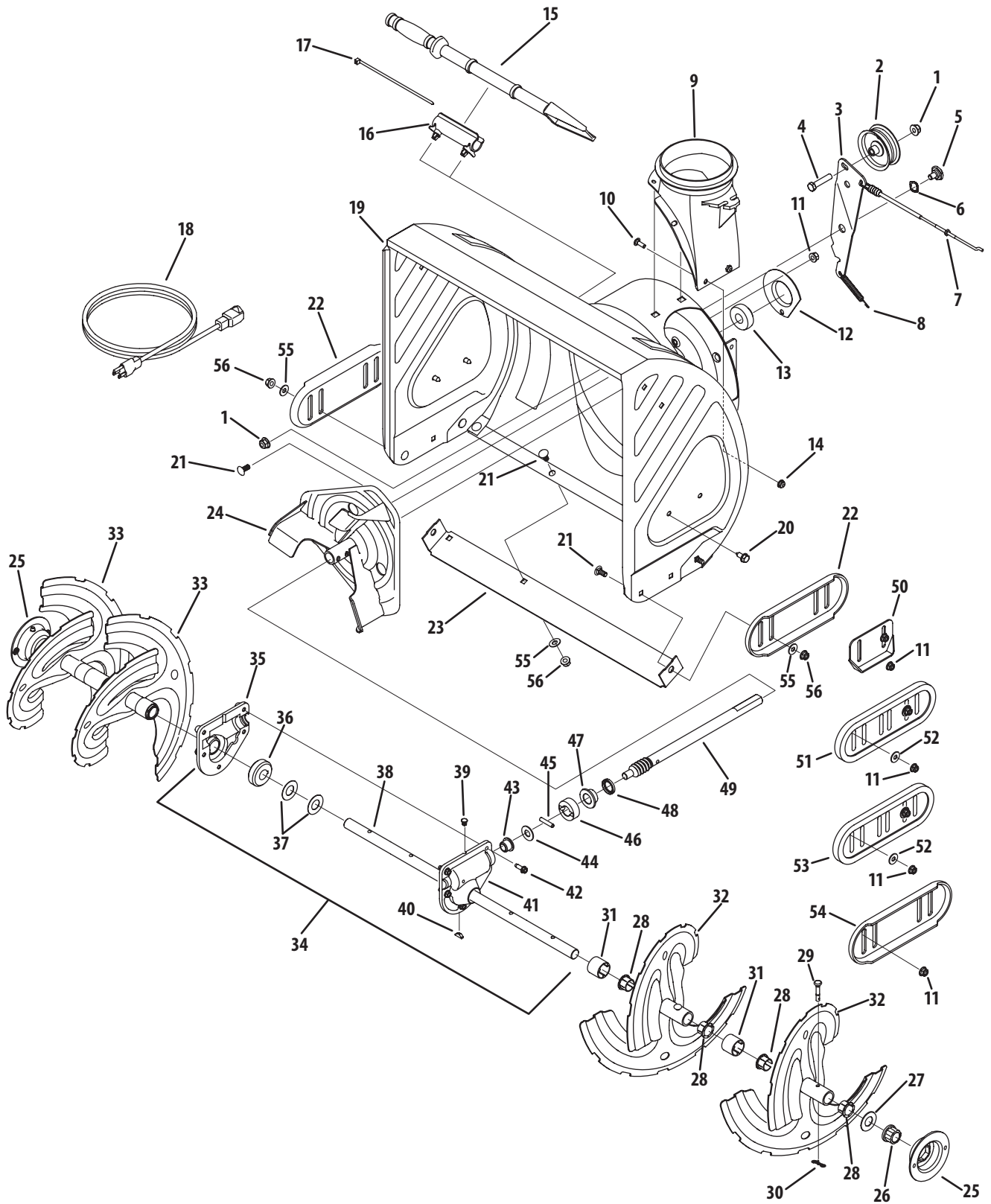
4-Way Extended Chute



4-Way Extended Chute

Ref.	Part Number	Description
1.	684-04331	Chute Control Assembly
2.	790-00155A	Joystick Bracket
3.	710-04187	Hex Washer Screw, ¼-15 x .50
4.	710-0606	Hex Screw, ¼-20 x 1.50
5.	738-04194	Shoulder Screw, .312 x 1.70 x ¼-20
6.	731-04427A	Upper Chute
7.	720-0284	Wing Knob, ⅝-18
8.	736-0463	Flat Washer, .25 x .630 x .0515
9.	711-04469A	Clevis Pin, ⅜ x 1.87
10.	684-04311	Chute Support Bracket
11.	714-04040	Bow-Tie Cotter Pin
12.	712-3087	Wing Nut, ¼-20
13.	712-04064	Flange Lock Nut, ¼-20
14.	710-0627	Hex Lock Screw, ⅝-24 x .750
15.	712-04063	Flange Lock Nut, ⅝-18
16.	784-5594	Cable Bracket
17.	731-06451	Chute Tilt Cable Guide
18.	710-0262	Carriage Bolt, ⅝-18 x 1.50
19.	710-0895	Hex Washer Screw, ¼-15 x .750
20.	710-04071	Carriage Bolt, ⅝-18 x 1.00
21.	731-06440	Lower Chute, 5.0

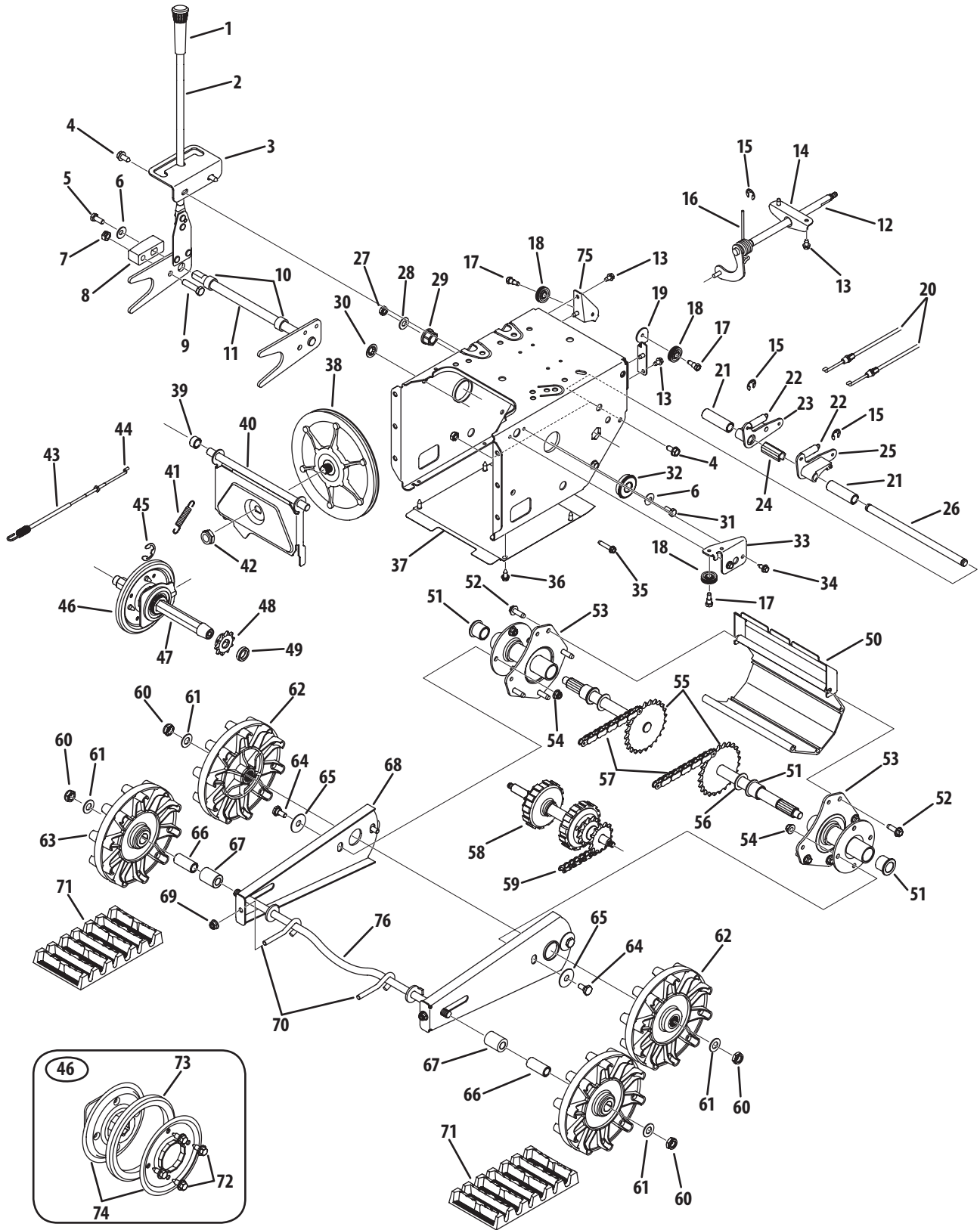
Auger Housing & Assembly



Auger Housing & Assembly

Ref.	Part Number	Description	Ref.	Part Number	Description
1.	712-04065	Flange Lock Nut, 3/8-16	29.	738-04124A	Shear Pin
2.	756-0981B	Idler Pulley	30.	714-04040	Bow-Tie Cotter Pin
3.	790-00080A	Auger Idler Bracket w/ Brake	31.	731-04870	Spacer, 1.25 OD x .75 ID x 1.00
4.	710-0347	Hex Bolt, 3/8-16 x 1.75	32.	684-04107	Spiral Assembly, LH
5.	738-0281	Shoulder Screw, .625 x .17 x 3/8-16	33.	684-04108	Spiral Assembly, RH
6.	736-0174	Wave Washer, .625 x .885 x .015	34.	618-04172A	Gearbox Assembly, 26"
7.	746-0897	Clutch Cable	35.	618-0123A	Housing Assembly, RH
8.	732-0611	Extension Spring, .38 OD x 3.6	36.	717-04449	Worm Gear, 20T
9.	731-04705C	Chute Adapter, 5.0	37.	736-0351	Flat Washer, .760 ID x 1.50 OD
10.	710-0703	Carriage Screw, 1/4-20 x .75	38.	711-04284	Auger Axle, 26"
11.	712-04063	Flange Lock Nut, 5/16-18	39.	721-0325	Plug, 1/4 x .437
12.	05931A	Bearing Housing	40.	714-0161	Hi-Pro Key, 3/16 x 5/8
13.	741-0309	Ball Bearing, .75 ID x 1.85 OD	41.	618-0124A	Housing Assembly, LH
14.	712-04064	Flange Lock Nut, 1/4-20	42.	710-0642	Hex Washer Screw, 1/4-20 x .750
15.	731-2643	Cleanout Tool	43.	741-0663	Flange Bearing, .50 ID x .75 OD x .59
16.	731-2635	Cleanout Tool Mount	44.	736-3084	Flat Washer, .51 x 1.12 x .06
17.	725-0157	Cable Tie, 3/16 x .05 x 7.4	45.	715-04021	Dowel Pin, .25 OD x 1.25
18.	629-0071	Extension Cord, 3-Prong	46.	718-04071	Thrust Collar, .756 ID x .600
19.	684-04321	Auger Housing, 26"	47.	741-0662	Flng. Bearing, .75 ID x 1.00 OD x .59
20.	710-04484	Hex Washer Screw, 5/16-18 x .750	48.	721-0327	Oil Seal, .75 x 1.131 x .188
21.	710-04525	Carriage Bolt, 5/16-18 x .750	49.	717-04126	Worm Shaft, .75 OD
22.	790-00141	Deluxe Stainless Skid Shoe	50.	784-5580	Skid Shoe
23.	790-00148	Stainless Steel Shave Plate, 26"	51.	731-06439	Polymer Skid Shoe
—	790-00121	Shave Plate, 26"	52.	736-0159	Flat Washer, .349 x .879 x .063
24.	684-04057A	Impeler Assembly	53.	731-05984A	Deluxe Polymer Skid Shoe
25.	790-00087A	Bearing Housing	54.	790-00091	Deluxe Skid Shoe
26.	741-0245	Hex Flange Bearing	55.	736-04216	Bell Washer, .340 x .872 x .060
27.	736-0188	Flat Washer, .76 x 1.49 x .06	56.	712-04103	Hex Nut, 5/16-18
28.	741-0493A	Flange Bushing .800 ID x .910 OD			

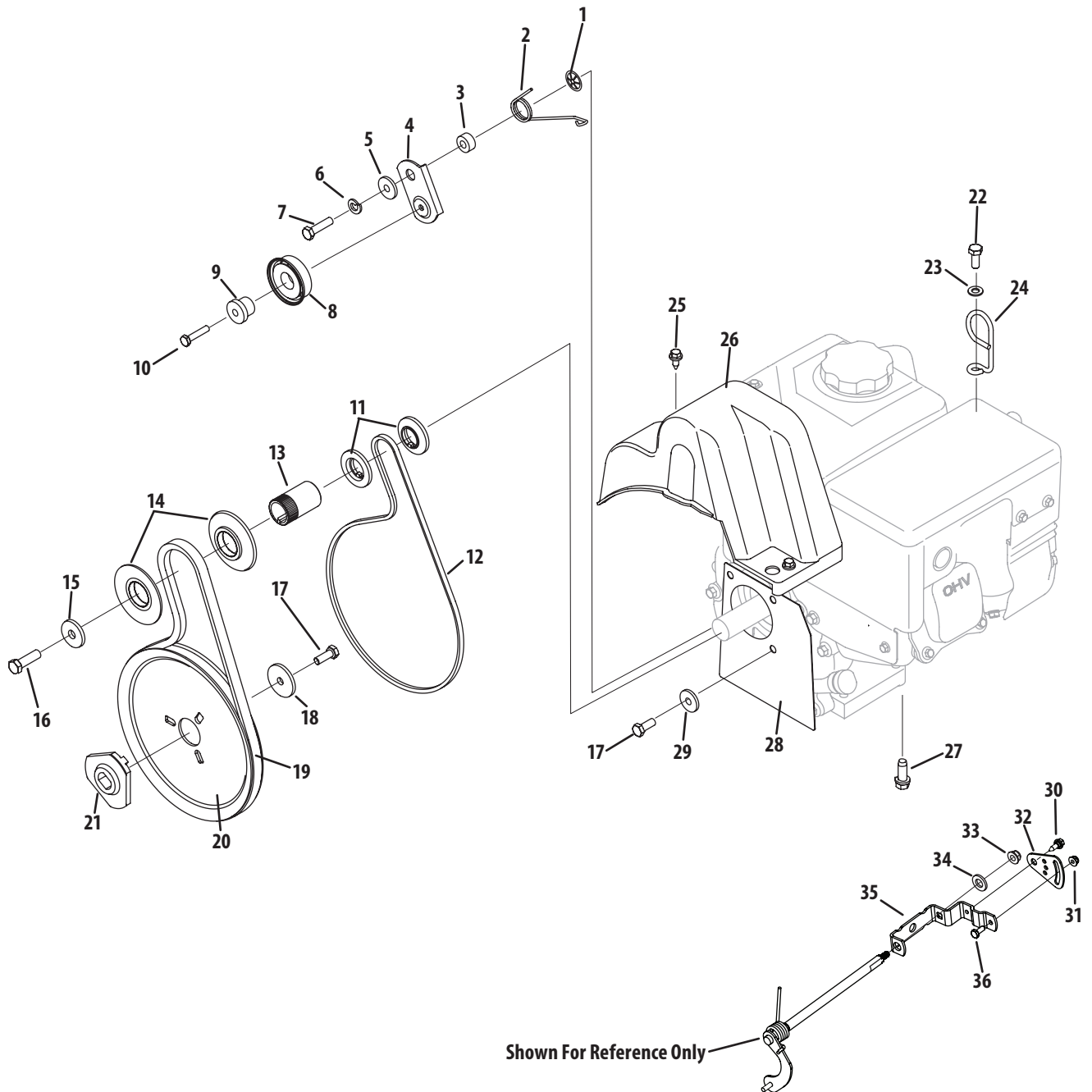
Transmission & Track Drive System



Transmission & Track Drive System

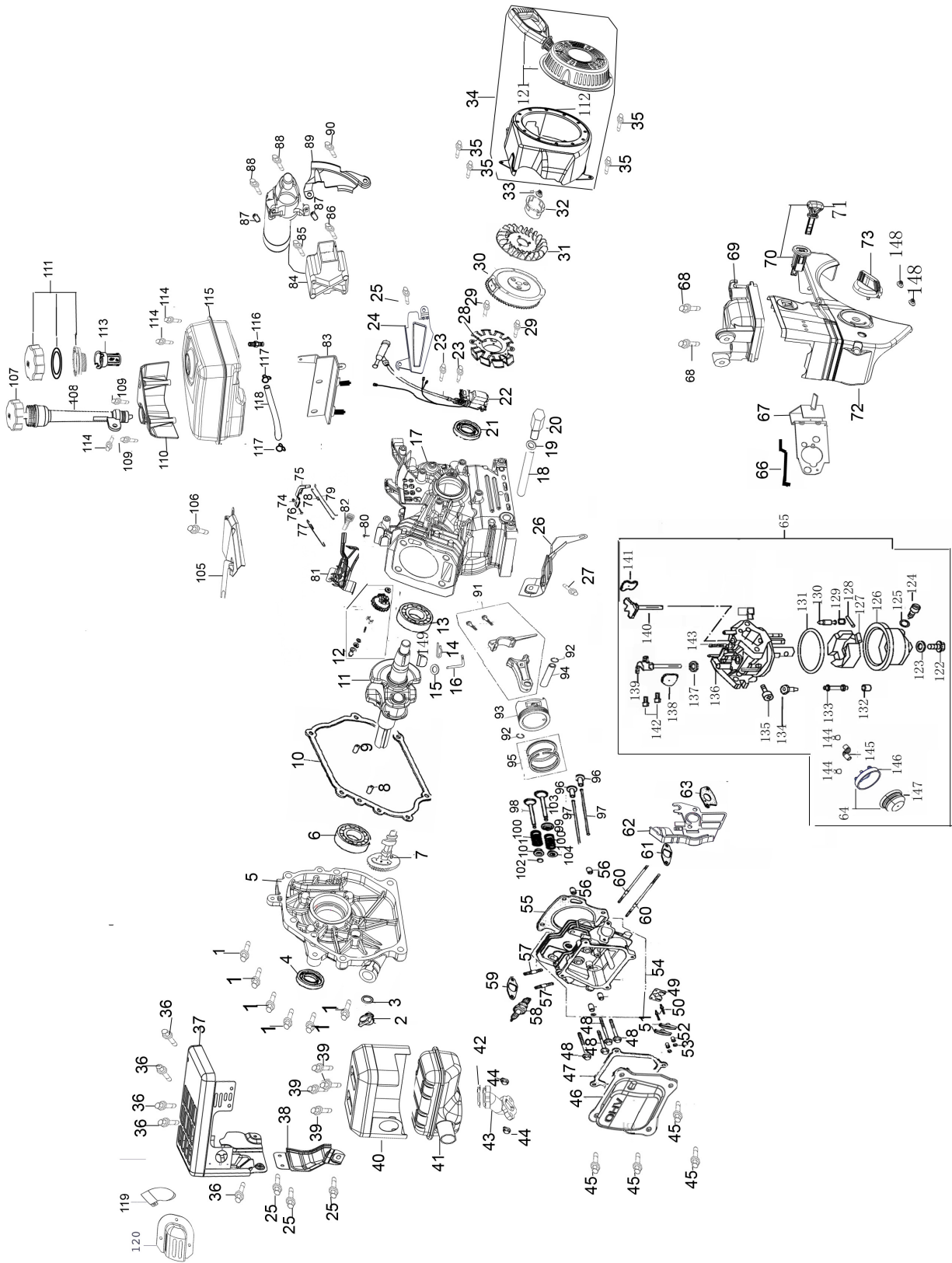
Ref.	Part Number	Description	Ref.	Part Number	Description
1.	720-0223	Grip, .5 ID x 3.45	39.	750-04748	Spacer, .525 ID x .750 x .42
2.	684-0038	Track Lock Handle Assembly	40.	684-04241	Friction Wheel Support Bracket
3.	784-5642	Lockout Track Bracket Plate	41.	732-0264	Extension Spring
4.	710-04484	Hex Washer Screw, 5/16-18 x .750	42.	712-0417A	Flange Nut, 5/16-18
5.	710-0157	Hex Screw, 5/16-24 x .75	43.	746-0898B	Drive Clutch Cable
6.	736-0242	Bell Washer, .340 x .872 x .060	44.	748-0778	Z-Fitting
7.	712-3000	Hex Lock Nut, 3/8-16	45.	716-0136	E-Ring
8.	748-0353A	Lift Shaft Drive	46.	684-04159	Friction Wheel Assembly
9.	710-0344	Hex Screw, 3/8-16 x 1.50	47.	711-04928	Hex Track Shaft
10.	750-0547	Spacer, .828 ID x .875 OD x .500	48.	713-04015	Sprocket, 10T
11.	684-0009	Pivot Rod Assembly	49.	750-0997	Spacer, .675 ID x 1.00 OD x .23
12.	684-04307	Shift Rod Assembly	50.	784-5809	Steering Cable Bracket
13.	710-0599	Hex Washer Screw, 1/4-20 x .500	51.	741-0339	Flange Bearing
14.	784-5590	Shift Frame Bracket	52.	710-0602	Hex Washer Screw, 5/16-18 x 1.000
15.	716-0104	E-Ring	53.	683-0024	Track Hub Assembly
16.	732-04514	Torsion Spring, .750 ID x .968	54.	712-04063	Flange Lock Nut, 5/16-18
17.	738-0924A	Shoulder Screw, .340 x .335 x 1/4-28	55.	611-0053	Track Axle Assembly
18.	756-0625	Cable Roller	56.	738-0287	Flat Washer, .793 x 1.24 x .06
19.	784-5687A	Auger Clutch Cable Guide Bracket	57.	713-0437	Chain
20.	746-0948A	Track Steering Cable	58.	618-0169B	Drive Track Shift Assembly
21.	750-0903B	Spacer, .515 x 735 x 2.44	59.	713-0233	Chain
22.	732-0209	Extension Spring, .48 OD x 2.03	60.	712-0346	Jam Lock Nut, 1/2-20
23.	618-0043	Dogg Assembly, RH	61.	736-0272	Flat Washer, .510 x 1.00 x .060
24.	750-05021	Spacer, .491 ID x 1.87	62.	731-1538A	Track Drive Wheel
25.	618-0044	Dogg Assembly, LH	63.	631-0032	Track Idler Wheel
26.	711-04927	Shift Actuator	64.	738-0140	Shoulder Screw, .435 x .178-5/16 x .58
27.	712-0116	Jam Lock Nut, 3/8-24	65.	736-0406	Flat Washer, .442 x 1.38 x .060
28.	738-0300	Flat Washer, .406 x .875 x .059	66.	750-0995	Spacer, .51 ID x .75 OD x 1.67
29.	741-1111	Hex Flange Bearing	67.	750-0909	Spacer, .510 ID x 1.00 OD x 1.34
30.	726-0221	Speed Nut, .500	68.	784-5609	Side Plate
31.	710-0538	Hex Lock Screw, 5/16-18 x .625	69.	712-04063	Flange Lock Nut, 5/16-18
32.	741-0563	Ball Bearing	70.	710-1231	Eye Bolt, 5/16-18 x 3.0
33.	790-00287	Auger Cable Front Support Guide	71.	731-1292	Snow Trac
34.	710-1652	Hex Washer Screw, 1/4-20 x .625	72.	710-0896	Hex Washer Screw, 1/4-14 x .625
35.	710-0788	Hex Washer Screw, 1/4-20 x 1.000	73.	735-04054	Friction Wheel
36.	710-1652	Hex Washer Screw, 1/4-20 x .625	74.	790-00174	Friction Plate
37.	784-5848	Track Frame Cover	75.	784-5688	Drive Cable Guide Bracket
38.	656-04025A	Friction Wheel Disc Assembly	76.	684-04240	Axle Assembly

Drive System



Ref.	Part Number	Description
1.	726-04012	Push-On Nut
2.	732-04308A	Torsion Spring, .850 ID x .333
3.	750-04477A	Spacer, .340 x .750 x .330
4.	790-00208C	Idler Bracket
5.	748-04112B	Shldr. Spacer, .3175 ID x .500 x .0975
6.	736-0119	Lock Washer, $\frac{5}{16}$
7.	710-0672	Hex Screw, $\frac{5}{16}$ -24 x 1.25
8.	684-04169	Idler Pulley
9.	750-04571	Shoulder Spacer, .260 x .785 x .538
10.	710-0809	Hex Washer Screw, $\frac{1}{4}$ -20 x 1.250
11.	756-04252	Pulley Half, $\frac{3}{8}$ -V x 1.7160 OD
12.	754-0367	V-Belt
13.	750-04303	Spacer, .875 ID x 1.185 OD
14.	756-04113	Pulley Half, 4L-V x 2.600 OD
15.	736-0247	Flat Washer, .406 x 1.25 x .157
16.	710-0191	Hex Screw, $\frac{3}{8}$ -24 x 1.25
17.	710-1245B	Hex Lock Screw, $\frac{5}{16}$ -24 x .875
18.	736-0505	Flat Washer, .34 x 1.50 x .150
19.	754-04050	Belt
20.	756-04109	Auger Pulley
21.	748-04053A	Adapter Pulley
22.	710-04022	Hex Screw, M8-1.25 x 20
23.	736-0264	Flat Washer, .330 x .630 x .0635
24.	732-0705	Cable Control Wire
25.	710-0653	Hex Washer Screw, $\frac{1}{4}$ -20 x .375
26.	731-05353	Belt Cover
27.	710-0502A	Hex Washer Screw, $\frac{3}{8}$ -16 x 1.250
28.	790-00289A	Cover Plate
29.	748-0234	Shoulder Spacer
30.	738-04184A	Shoulder Screw, .368 x .113 x $\frac{1}{4}$ -20
31.	712-04064	Flange Lock Nut, $\frac{1}{4}$ -20
32.	790-00217A	Speed Selector Pivot Bracket
33.	712-04063	Flange Lock Nut, $\frac{5}{16}$ -18
34.	736-3015	Flat Washer, .469 x .875 x .105
35.	790-00218A	Speed Selector Shift Bracket
36.	710-0751	Hex Screw, $\frac{1}{4}$ -20 x .620

208cc ZS 370-SUA Engine



208 cc ZS 370-SUA Engine

Part No.	Description	Ref. No.
751-10724	Short Block Assembly	—
	Bolt	1
	Oil Filler Plug	2
	O-ring	3
	Oil seal, 25 × 41.25 × 6	4
	Crankcase cover	5
	Radial Ball Bearing	6
	Camshaft Assembly	7
	Dowel Pin, 9 × 14	8
	Dowel Pin, 7 × 14	9
	Crankcase Cover Gasket	10
	Crankshaft Complete	11
	Governor Kit	12
	Radial Ball Bearing	13
	Pin Lock	14
	O-ring, 5.2 × 1.9	15
	Governor Arm	16
	Crankcase	17
	Oil-Draining Pipe	18
	Washer, 10 × 16 × 1.5	19
	Drain Bolt, 10 × 1.25	20
	Oil Seal, 25 × 41.25 × 6	21
	Cylinder Head Gasket	55
	Dowel Pin, 10 × 16	56
	Gasket Muffler	59
	Insulator Gasket Carburetor	61
	Insulator Carburetor	62
	Connecting Rod Assembly	91
	Piston Pin Clip	92
	Piston	93
	Pin Piston	94

Part No.	Description	Ref. No.
751-10722	Cylinder Head Assembly	—
	Valve Cover Gasket	47
	Plate Push Rod Guide	49
	Pivot Bolt	50
	Rocker Arm	51
	Valve Adjusting Nut	52
	Pivot Locking Nut	53
	Cylinder Head Complete	54
	Cylinder Head Gasket	55
	Gasket Muffler	59
	Exhaust Valve	98
	Valve Seal	99
	Spring Valve	100
	Exhaust Valve Spring Retainer	101
	Exhaust Valve Adjuster	102
	Intake Valve	103
	Internal Valve Spring Retainer	104
751-10723	Gasket Kit - Complete	—
	Crankcase Cover Gasket	10
	O-ring, 5.2 × 1.9	15
	Oil-Draining Pipe	18
	Washer, 10 × 16 × 1.5	19
	Drain Bolt, 10 × 1.25	20
	Oil Seal, 25 × 41.25 × 6	21
	Gasket	42
	Valve Cover Gasket	47
	Cylinder Head Gasket	55
	Gasket Muffler	59
	Carburetor Insulator Gasket	61
	Carburetor Insulator	62
	Carburetor Gasket	63
	Push Rod	97
	Exhaust Valve	98
	Intake Valve	103

208 cc ZS 370-SUA Engine

Part No.	Description	Ref. No.	Part No.	Description	Ref. No.
751-10952	Gasket Kit - External	—	751-10909	Cooling Fan	31
	Valve Cover Gasket	47	751-10911	Starter Cup	32
	Gasket Muffler	59	751-10642A	Muffler Shroud	37
	Carburetor Insulator Gasket	61	751-10643	Muffler Shield	40
	Carburetor Insulator	62	751-10644	Muffler Complete Exhaust Pipe	41, 43
	Gasket Carburetor	63	751-10666	Gasket	42
751-10638	Carburetor Assembly	65	751-10657	Muffler Stud Assembly, 8 × 34	57
	Fuel Drain Plug	122	751-10292	Spark Plug	58
	Fuel Cup Fixed Bolt Packing	123	751-10640	Choke Push Rod	66
	Fuel Drain Plug	124	751-10635	Air Filter Heating Pipe Cover	69
	Fuel Drain Plug Gasket	125	751-10637	Key Switch	70
	Fuel Cup	126	751-10630	Key	71
	Float	127	751-10634	Shroud	72
	Floating Pin	128	751-10636	Choke Knob	73
	Needle Valve Spring	129	751-10654	Spring Governor	77
	Needle Valve	130	751-10664	Spring Throttle Return	78
	O-ring Packing	131	751-10665	Rod Governor	79
	Main Jet	132	751-10758	Throttle Control Assembly	81
	Main Nozzle	133	751-10757	Throttle Control Knob	82
	Idle Jet Assembly	134	751-10645A	Electric Starter, 110v	84
	Idle Speed Adjusting Screw	135	751-10648	Push Rod Kit	97
	Carburetor Body	136	751-10647	Valve Kit	98, 103
	Fiber Seal	137	751-10655	Dipstick	107
	Choke Plate	138	751-10656	Dipstick Base	108
	Throttle Shaft	139	751-10662	Dipstick Decoration Cover	110
	Choke Plate	140	751-10649	Fuel Tank Cap	111
	Choke Shaft	141	751-10663A	Blower Housing	112
	Cross Screw	142	751-10652	Fuel Filter	113
	Position Spring	143	751-10653A	Fuel Tank	115
	Clip	144	751-10651	Nipple Fuel Tank	116
	Fuel Hose	145	751-10650	Fuel Line Kit	117, 118
	Primer Base	146	751-10658	Recoil Starter Assembly	121
	Primer Bulb	147		Starter Handle	—
751-10641	Oil Drain Assembly	18, 19, 20	751-10639	Primer	147
751-10646	Ignition Module	22	751-10307	Woodruff Key	149
751-10719	Stator	28	952Z370-SUA	Complete 370-SUA Engine	—
751-10805	Flywheel	30			



To order replacement parts, call a Customer Support Representative at (800) 965-4CUB.
Locate your nearest Cub Cadet dealer at (877) 282-8684
or visit www.cubcadet.com to find the nearest Cub Cadet dealer in your area.

CUB CADET LLC, P.O. BOX 361131 CLEVELAND, OHIO 44136-0019
