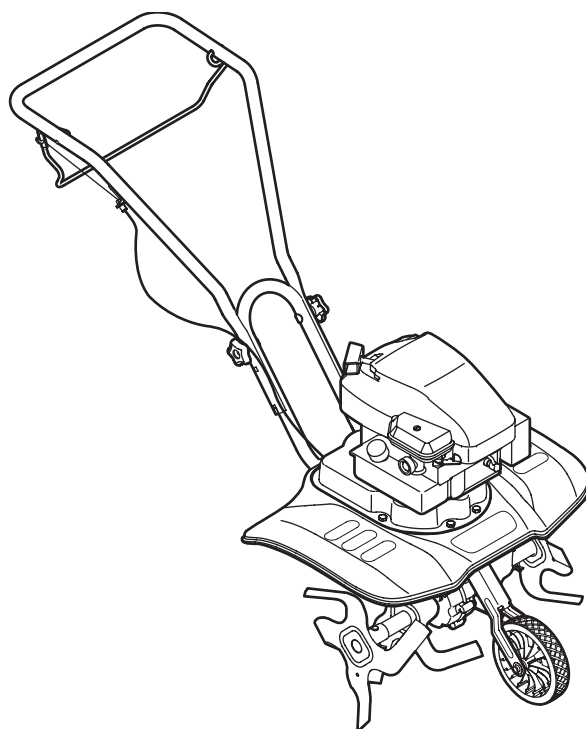


# OPERATOR'S MANUAL



## World Front Wheel Tiller— Series 250

### **⚠ WARNING**

**READ AND FOLLOW ALL SAFETY RULES AND INSTRUCTIONS IN THIS MANUAL  
BEFORE ATTEMPTING TO OPERATE THIS MACHINE.  
FAILURE TO COMPLY WITH THESE INSTRUCTIONS MAY RESULT IN PERSONAL INJURY.**

---

MTD LLC, P.O. BOX 361131 CLEVELAND, OHIO 44136-0019

---

## Thank You

Thank you for purchasing a World Tiller manufactured by MTD LLC. It was carefully engineered to provide excellent performance when properly operated and maintained.

Please read this entire manual prior to operating the equipment. It instructs you how to safely and easily set up, operate and maintain your machine. Please be sure that you, and any other persons who will operate the machine, carefully follow the recommended safety practices at all times. Failure to do so could result in personal injury or property damage.

All information in this manual is relative to the most recent product information available at the time of printing. Review this manual frequently to familiarize yourself with the machine, its features and operation. Please be aware that this Operator's Manual may cover a range of product specifications for various models. Characteristics and features discussed and/or illustrated in this manual may not be applicable to all models. MTD LLC reserves the right to change product specifications, designs and equipment without notice and without incurring obligation.

If you have any problems or questions concerning the machine, phone your local authorized MTD service dealer or contact us directly. MTD's Customer Support telephone numbers, website address and mailing address can be found on this page. We want to ensure your complete satisfaction at all times.

Throughout this manual, all references to *right* and *left* side of the machine are observed from the operating position

The engine manufacturer is responsible for all engine-related issues with regards to performance, power-rating, specifications, warranty and service. Please refer to the engine manufacturer's Owner's/Operator's Manual, packed separately with your machine, for more information.

## Table of Contents

<b>Safe Operation Practices .....</b>	<b>3</b>	<b>Maintenance &amp; Adjustment.....</b>	<b>13</b>
<b>Assembly &amp; Set-Up .....</b>	<b>7</b>	<b>Service .....</b>	<b>15</b>
<b>Controls.....</b>	<b>10</b>	<b>Troubleshooting .....</b>	<b>16</b>
<b>Operation.....</b>	<b>11</b>	<b>Illustrated Parts List .....</b>	<b>17</b>

## Record Product Information

Before setting up and operating your new equipment, please locate the model plate on the equipment and record the information in the provided area to the right. You can locate the model plate by standing at the operator's position and looking down at the rear of the deck. This information will be necessary, should you seek technical support via our web site, Customer Support Department, or with a local authorized service dealer.

### MODEL NUMBER

--	--	--	--	--	--	--	--	--	--	--	--

### SERIAL NUMBER

--	--	--	--	--	--	--	--	--	--	--	--

## Customer Support

**Please do NOT return the machine to the retailer or dealer without first contacting our Customer Support Department.**

If you have difficulty assembling this product or have any questions regarding the controls, operation, or maintenance of this machine, you can seek help from the experts. Choose from the options below:

- ◇ Visit us on the web at [www.mtdproducts.com](http://www.mtdproducts.com)
- ◇ Call a Customer Support Representative at (800) 800-7310 or (330) 220-4683
- ◇ Write us at MTD LLC • P.O. Box 361131 • Cleveland, OH • 44136-0019



**WARNING!** This symbol points out important safety instructions which, if not followed, could endanger the personal safety and/or property of yourself and others. Read and follow all instructions in this manual before attempting to operate this machine. Failure to comply with these instructions may result in personal injury. When you see this symbol. **HEED ITS WARNING!**

## CALIFORNIA PROPOSITION 65



**WARNING!** Engine Exhaust, some of its constituents, and certain vehicle components contain or emit chemicals known to State of California to cause cancer and birth defects or other reproductive harm.



**WARNING!** Battery posts, terminals, and related accessories contain lead and lead compounds, chemicals known to the State of California to cause cancer and reproductive harm. *Wash hands after handling*



**DANGER!** This machine was built to be operated according to the safe operation practices in this manual. As with any type of power equipment, carelessness or error on the part of the operator can result in serious injury. This machine is capable of amputating fingers, hands, toes and feet. Failure to observe the following safety instructions could result in serious injury or death.

## Training

1. Read, understand, and follow all instructions on the machine and in the manual(s) before attempting to assemble and operate. Keep this manual in a safe place for future and regular reference and for ordering replacement parts.
2. Be familiar with all controls and their proper operation. Know how to stop the machine and disengage them quickly.
3. Never allow children under 14 years of age to operate this machine. Children 14 and over should read and understand the instructions and safe operation practices in this manual and on the machine and be trained and supervised by an adult.
4. Never allow adults to operate this machine without proper instruction.
5. Keep the area of operation clear of all persons, particularly small children and pets. Stop machine if anyone enters the area.
2. Wear sturdy, rough-soled work shoes and close fitting slacks and shirt. Loose fitting clothes or jewelry can be caught in moving parts. Never operate this machine in bare feet or sandals.
3. Disengage clutch levers and shift (if provided) into neutral ("N") before starting the engine.
4. Never leave this machine unattended with the engine running.
5. Never attempt to make any adjustments while engine is running, except where specifically recommended in the operator's manual.

## Safe Handling of Gasoline:

To avoid personal injury or property damage use extreme care in handling gasoline. Gasoline is extremely flammable and the vapors are explosive. Serious personal injury can occur when gasoline is spilled on yourself or your clothes which can ignite. Wash your skin and change clothes immediately.

- a. Use only an approved gasoline container.
- b. Never fill containers inside a vehicle or on a truck or trailer bed with a plastic liner. Always place containers on the ground away from your vehicle before filling.

## Preparation

1. Thoroughly inspect the area where the equipment is to be used. Remove all stones, sticks, wire, and other foreign objects which could be tripped over and cause personal injury.

- c. When practical, remove gas-powered equipment from the truck or trailer and refuel it on the ground. If this is not possible, then refuel such equipment on a trailer with a portable container, rather than from a gasoline dispenser nozzle.
  - d. Keep the nozzle in contact with the rim of the fuel tank or container opening at all times until fueling is complete. Do not use a nozzle lock-open device.
  - e. Extinguish all cigarettes, cigars, pipes and other sources of ignition.
  - f. Never fuel machine indoors.
  - g. Never remove gas cap or add fuel while the engine is hot or running. Allow engine to cool at least two minutes before refueling.
  - h. Never over fill fuel tank. Fill tank to no more than ½ inch below bottom of filler neck to allow space for fuel expansion.
  - i. Replace gasoline cap and tighten securely.
  - j. If gasoline is spilled, wipe it off the engine and equipment. Move unit to another area. Wait 5 minutes before starting the engine.
  - k. To reduce fire hazards, keep machine free of grass, leaves, or other debris build-up. Clean up oil or fuel spillage and remove any fuel soaked debris.
  - l. Never store the machine or fuel container inside where there is an open flame, spark or pilot light as on a water heater, space heater, furnace, clothes dryer or other gas appliances.
11. After striking a foreign object, stop the engine, disconnect the spark plug wire and ground against the engine. Thoroughly inspect the machine for any damage. Repair the damage before starting and operating.
  12. Disengage all clutch levers (if fitted) and stop engine before you leave the operating position (behind the handles). Wait until the tines come to a complete stop before unclogging the tines, making any adjustments, or inspections.
  13. Never run an engine indoors or in a poorly ventilated area. Engine exhaust contains carbon monoxide, an odorless and deadly gas.
  14. Muffler and engine become hot and can cause a burn. Do not touch.
  15. Use caution when tilling near fences, buildings and underground utilities. Rotating tines can cause property damage or personal injury.
  16. Do not overload machine capacity by attempting to till soil too deep at too fast of a rate.
  17. If the machine should start making an unusual noise or vibration, stop the engine, disconnect the spark plug wire and ground it against the engine. Inspect thoroughly for damage. Repair any damage before starting and operating.
  18. Keep all shields, guards, and safety devices in place and operating properly.
  19. Never pick up or carry machine while the engine is running.
  20. Use only attachments and accessories approved by the manufacturer. Failure to do so can result in personal injury.
  21. If situations occur which are not covered in this manual, use care and good judgement. Contact Customer Support for assistance and the name of you nearest servicing dealer..

## Operation

1. Do not put hands or feet near rotating parts. Contact with the rotating parts can amputate hands and feet.
2. Do not operate machine while under the influence of alcohol or drugs.
3. Never operate this machine without good visibility or light. Always be sure of your footing and keep a firm hold on the handles.
4. Keep bystanders away from the machine while it is in operation. Stop the machine if anyone enters the area.
5. Be careful when tilling in hard ground. The tines may catch in the ground and propel the tiller forward. If this occurs, let go of the handle bars and do not restrain the machine.
6. Exercise extreme caution when operating on or crossing gravel surfaces. Stay alert for hidden hazards or traffic. Do not carry passengers.
7. Never operate the machine at high transport speeds on hard or slippery surfaces.
8. Exercise caution to avoid slipping or falling.
9. Look down and behind and use care when in reverse or pulling machine towards you.
10. Start the engine according to the instructions found in this manual and keep feet well away from the tines at all times.

## Maintenance & Storage

1. Keep machine, attachments and accessories in safe working order.
2. Allow a machine to cool at least five minutes before storing. Never tamper with safety devices. Check their proper operation regularly.
3. Check bolts and screws for proper tightness at frequent intervals to keep the machine in safe working condition. Also, visually inspect machine for any damage.
4. Before cleaning, repairing, or inspecting, stop the engine and make certain the tines and all moving parts have stopped. Disconnect the spark plug wire and ground it against the engine to prevent unintended starting.
5. Do not change the engine governor settings or over-speed the engine. The governor controls the maximum safe operating speed of engine.
6. Maintain or replace safety and instruction labels, as necessary.
7. Follow this manual for safe loading, unloading, transporting, and storage of this machine.
8. Always refer to the operator's manual for important details if the machine is to be stored for an extended period.

9. If the fuel tank has to be drained, do this outdoors.
10. Observe proper disposal laws and regulations for gas, oil, etc. to protect the environment.
11. According to the Consumer Products Safety Commission (CPSC) and the U.S. Environmental Protection Agency (EPA), this product has an *Average Useful Life* of seven (7) years, or 130 hours of operation. At the end of the *Average Useful Life* have the machine inspected annually by an authorized service dealer to ensure that all mechanical and safety systems are working properly and not worn excessively. Failure to do so can result in accidents, injuries or death.

## Notice Regarding Emissions

Engines which are certified to comply with California and federal EPA emission regulations for SORE (Small Off Road Equipment) are certified to operate on regular unleaded gasoline, and may include the following emission control systems: Engine Modification (EM), Oxidizing Catalyst (OC), Secondary Air Injection (SAI) and Three Way Catalyst (TWC) if so equipped.

## Spark Arrestor









**WARNING!** This machine is equipped with an internal combustion engine and should not be used on or near any unimproved forest-covered, brushcovered or grass-covered land unless the engine's exhaust system is equipped with a spark arrester meeting applicable local or state laws (if any).

If a spark arrester is used, it should be maintained in effective working order by the operator. In the State of California the above is required by law (Section 4442 of the California Public Resources Code). Other states may have similar laws. Federal laws apply on federal lands.

A spark arrester for the muffler is available through your nearest engine authorized service dealer or contact the service department, P.O. Box 361131 Cleveland, Ohio 44136-0019.

## Safety Symbols

This page depicts and describes safety symbols that may appear on this product. Read, understand, and follow all instructions on the machine before attempting to assemble and operate.

Symbol	Description
	<b>READ THE OPERATOR'S MANUAL(S)</b> Read, understand, and follow all instructions in the manual(s) before attempting to assemble and operate.
	<b>WARNING— ROTATING TINES</b> Do not put hands or feet near rotating parts. Contact with the rotating parts can amputate hands and feet.
	<b>WARNING— ROTATING TINES</b> Do not put hands or feet near rotating parts. Contact with the rotating parts can amputate hands and feet.
	<b>WARNING— GASOLINE IS FLAMMABLE</b> Allow the engine to cool at least two minutes before refueling.
	<b>WARNING— CARBON MONOXIDE</b> Never run an engine indoors or in a poorly ventilated area. Engine exhaust contains carbon monoxide, an odorless and deadly gas.
	<b>WARNING— HOT SURFACE</b> Engine parts, especially the muffler, become extremely hot during operation. Allow engine and muffler to cool before touching.



**WARNING!** Your Responsibility—Restrict the use of this power machine to persons who read, understand and follow the warnings and instructions in this manual and on the machine.

**SAVE THESE INSTRUCTIONS!**

## Contents of Carton

- One Tiller
- One 18 oz. bottle SAE 30W oil
- One Tiller Operator's Manual
- One Engine Operator's Manual

**NOTE:** Stand behind the tiller as if you were going to operate it. Your right hand corresponds to the right side of the tiller and your left hand corresponds to the left side of the tiller.

**NOTE:** This operator's manual may cover various models of tillers. The machines illustrated may vary slightly from your tiller.

**NOTE:** The tiller is shipped without gasoline or oil in the engine. Fill up gasoline and oil as instructed in the accompanying engine manual before operating your machine.

## Assembly

### Handle

1. Remove the star handle knobs and the carriage bolts from the lower handle. See Fig. 3-1.

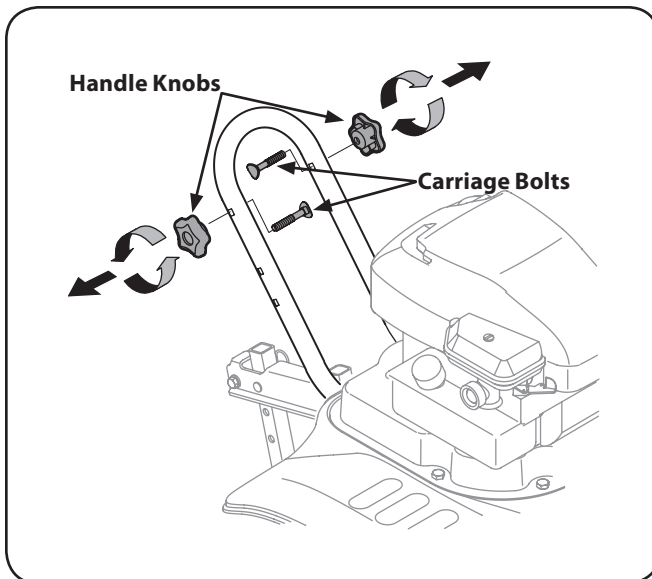


Figure 3-1

2. Position the upper handle onto the lower handle, Step A in Fig. 3-2. Align the holes on the lower handle with the holes on the upper handle. Choose the upper or lower holes depending on the desired handle height.

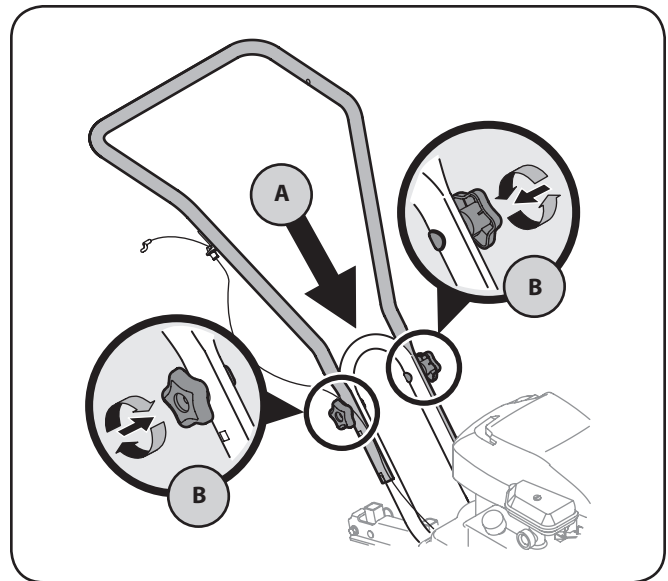


Figure 3-2

3. Insert carriage bolts through the holes and secure with the star knobs, Step B in Fig.3-2. Make certain the carriage bolts are seated securely into one of the two positions provided.

4. Insert the left end of the tine clutch control into the hole on the left side of the upper handle. See Fig. 3-3.

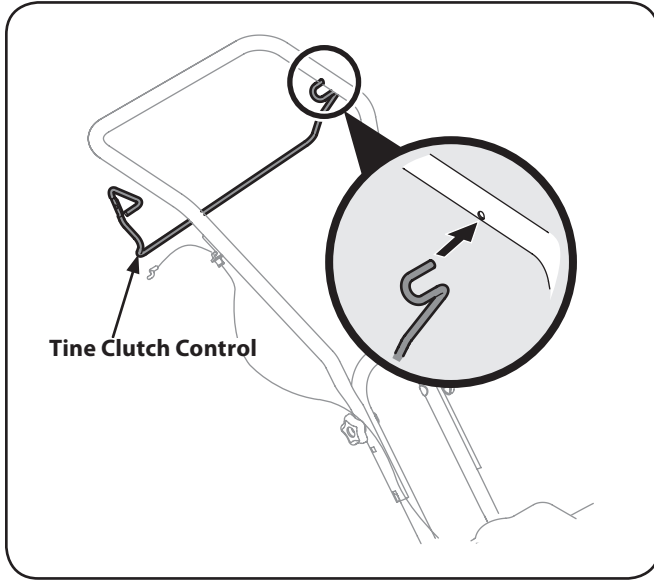


Figure 3-3

5. Insert the Z-fitting on the clutch cable into the hole on the tine clutch control. Hook the "Z" end into the opening from the inside to the outside as shown in Fig. 3-4.

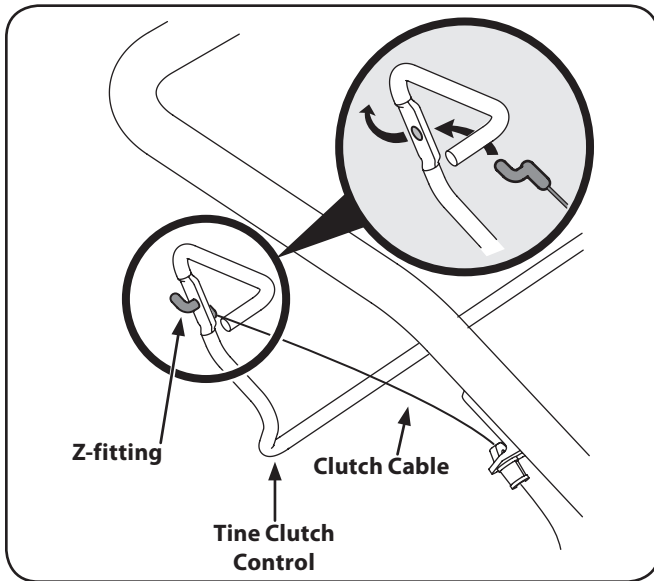


Figure 3-4

6. Squeeze the tine clutch control inward. Insert the right end into the hole on the right side of the upper handle. See Fig. 3-5.

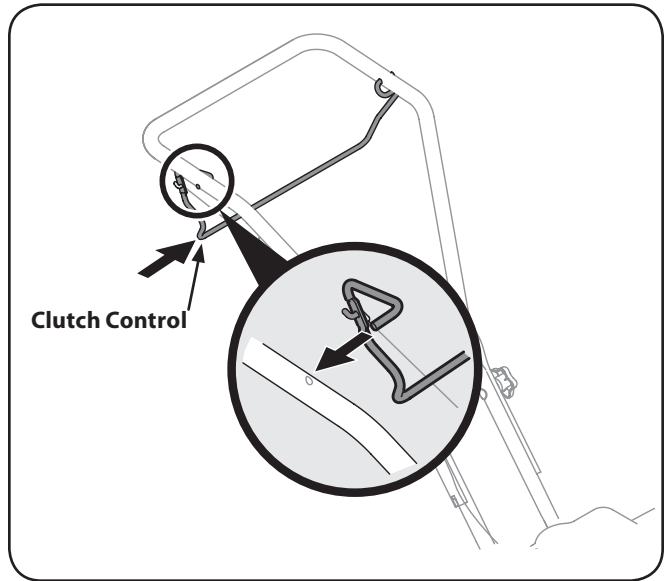


Figure 3-5

## Set-Up

### Gas & Oil Fill-Up

Service the engine with gasoline and oil as instructed in the separate engine manual packed with your tiller. Read the instructions carefully.



**WARNING!** Use extreme care when handling gasoline. Gasoline is extremely flammable and the vapors are explosive. Never fuel machine indoors or while the engine is hot or running.



## Adjustments

### Wheels

The tiller is shipped with the wheels adjusted so that the machine sits level. Before tilling, the front wheel must be raised. To do this, pull the wheel bracket assembly down towards the ground and lift up. See Fig. 3-6. The wheel will move into tilling position. For transporting or storing the tiller, reverse the steps to lower the wheel.

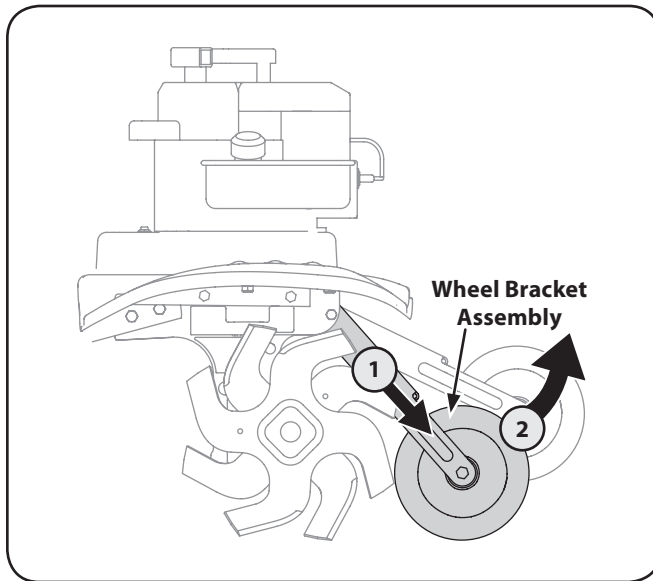
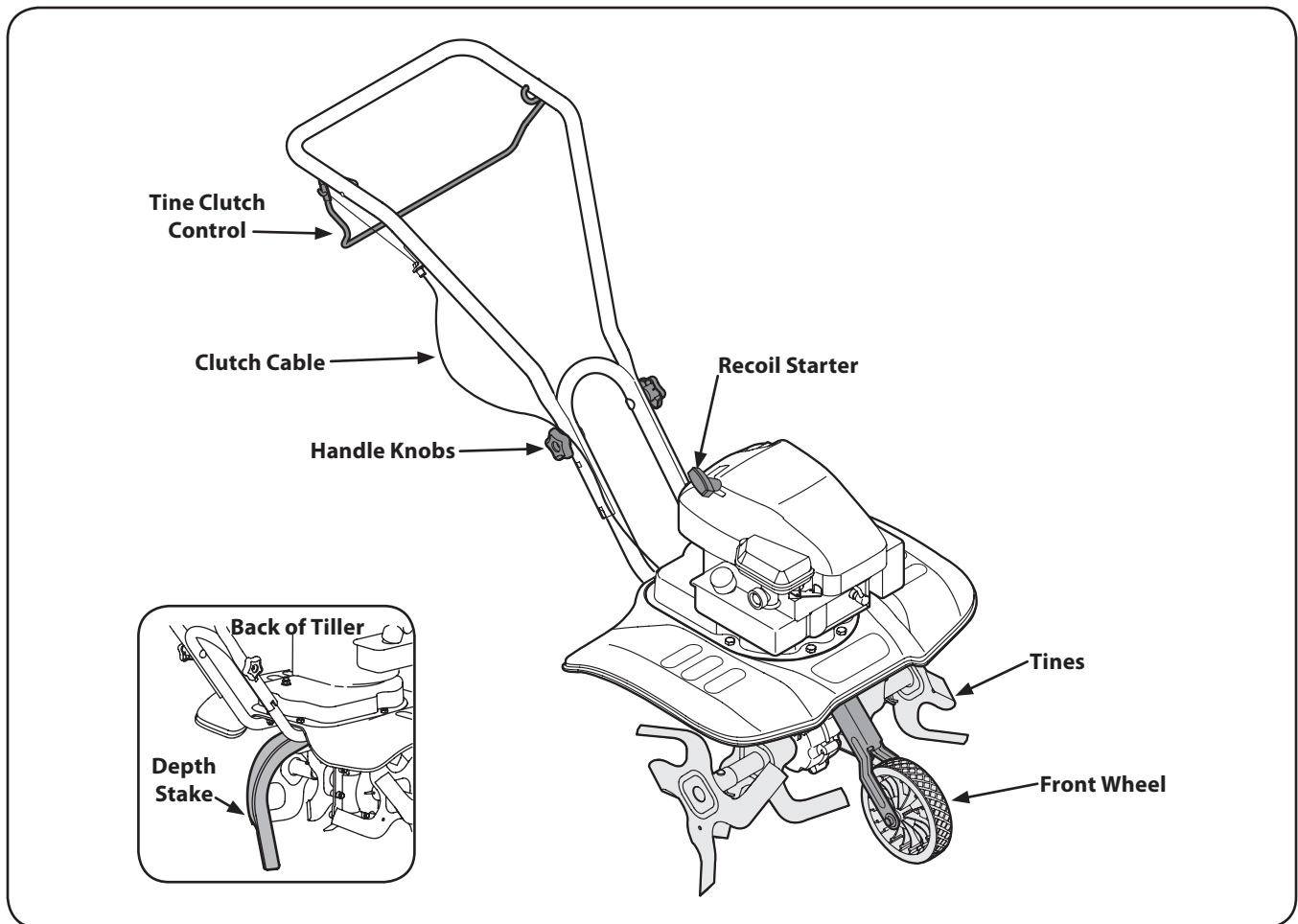


Figure 3-6



**Figure 4-1**

## Tine Clutch Control

The clutch control lever is located on the upper handle. Squeezing the lever against the handle engages the tine drive. Release the lever to stop the tines from turning.

## Handle Knobs

The handle height may be adjusted. Loosen the knobs and remove the carriage bolts to change the position. Reinstall and tighten the hardware when complete.

## Recoil Starter

The recoil starter is located on the engine and is used to manually start the engine.

## Depth Stake

The depth stake acts as a brake for the tiller and controls the depth and speed at which the machine will operate.

## Front Wheel

The front wheel can be raised and lowered for transport and storage. Refer to the Assembly & Set-Up Section for instructions.

## Engine Controls

Refer to engine manual for additional information and functions of the engine controls.

### Throttle Control (If Equipped)

The throttle control lever is located on the engine. It controls the engine's speed and stops the engine.

### Primer

The primer, located on the engine, is used to pump gas into the carburetor and aid in starting the engine. Use it to start a cold engine, but do not use it to restart a warm engine after a short shutdown.



**WARNING!** Read, understand, and follow all instructions and warnings posted on the machine and in this manual before operating.



**WARNING!** Be sure no one other than the operator is standing near the tiller while starting engine or operating the unit. Never run engine indoors or in enclosed, poorly ventilated areas. Engine exhaust contains carbon monoxide, an odorless and deadly gas. Keep hands, feet, hair and loose clothing away from any moving parts on engine and tiller.

## Starting Engine



**WARNING!** Be sure no one is standing in front of the tiller while the engine is running or being started.

Refer to the engine manual for instructions.

1. Attach spark plug wire to spark plug. Make sure the metal cap on the end of the spark plug is fastened securely over the metal tip on the spark plug.
2. Make sure that the tine clutch control is disengaged.
3. Place the throttle control (if equipped) in the FAST position.
4. For first time start-up, firmly press engine primer five (5) times. For all future starts, press three (3) times. Wait about two seconds between each press.
5. Place left hand on gas tank. Grasp recoil starter and pull rope out slowly until engine reaches the beginning of its compression cycle (rope will pull slightly harder at this point).
6. Pull rope with a rapid, continuous, full arm stroke. Keep a firm grip on handle. Let rope rewind slowly. Do not let recoil starter snap back against engine. Repeat until engine starts.

## Stopping Engine

1. Move throttle control lever (if equipped) to STOP or OFF position. Refer to the engine manual for instructions on stopping the engine.
2. Disconnect spark plug wire from spark plug and ground against the engine.

## Using Your Tiller

Your tiller is designed for seed bed preparation, cultivating, furrowing, and mulching.

## Controlling Speed and Tilling Depth

When tilling, leave approximately eight inches of untilled soil between the first and second tilling paths, then make the third path between the first and second, Fig. 5-1.

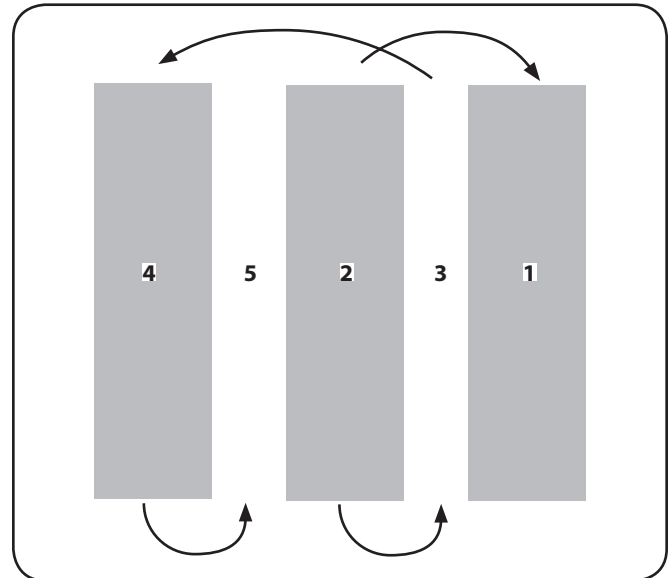


Figure 5-1

In some soils, the desired depth is obtained the first time over the garden. In other soils, the desired depth is obtained by going over the garden two or three times. Passes should be made across the length and width of the garden alternately. Rocks which are turned up should be removed from the garden area.

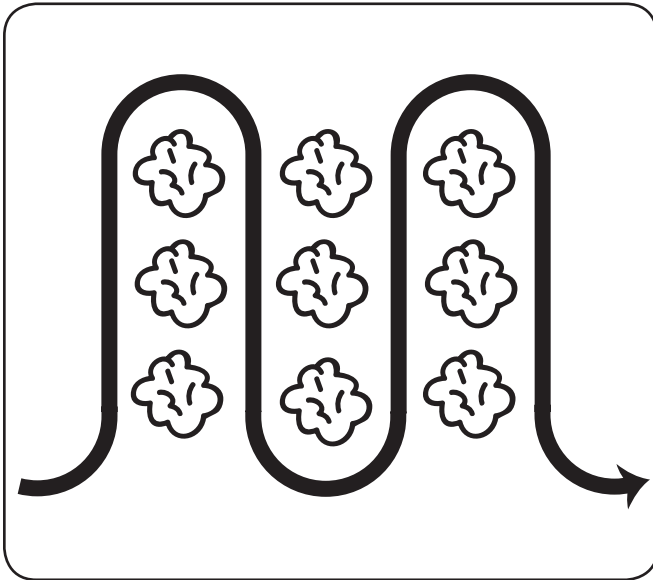
## Handle Pressure

Further control of tilling depth and travel speed can be obtained by variation of pressure on the handles. A downward pressure on the handles will reduce the working depth and increase the forward speed. An upward pressure on the handles will increase the working depth and reduce the forward speed. The type of soil and working conditions will determine the actual setting of the depth stake and the handle pressure required.

## Cultivating

For cultivating, a two to three inch depth is desirable. With the outer tines installed, the working width of the machine is 22 or 24 inches.

For cultivation, the tine width can be reduced to 13 inches by removing the outer tines, refer to the Adjustment Section. When laying out plant rows, be sure to allow enough width to permit cultivation between the rows. In growing corn or similar crops, check-row planting will permit cross cultivation and practically eliminate hand hoeing, Fig. 5-2.



**Figure 5-2**

The tiller has many uses other than tilling and cultivating a garden. One of these is the preparation of lawn area for seeding. The tiller will prepare a deep seed bed which will be free of hard untilled spots, allowing a better stand of grass to grow. The tiller is very useful for loosening hard soil for excavation with a shovel; No tedious handwork will be necessary. Your tiller may be used for mixing compost in the pile or for mixing it with the soil in your garden. This should be done after the soil has been broken to the full working depth. The compost should be worked in to a depth of six to seven inches. This may be done by working the length of the garden and then by making separate passes across its width. The addition of decayed organic matter will substantially increase the fertility of your garden. For proper decaying action, fertilizer should be applied and worked in with the mulch materials. Breaking up leaves and straw and mixing it with several inches of soil allows proper aeration of the plant root system and retards the growth of weeds.



**WARNING!** Before inspecting, cleaning or servicing the tiller, shut off the engine and wait for all moving parts to come to a complete stop. Disconnect the spark plug. Failure to follow these instructions properly can result in serious personal injury or property damage.

## Maintenance

### Engine

Refer to the Engine Operator's Manual packaged with your machine for all engine maintenance.

### Tines

Clean the underside of the tine shield after each use. The dirt washes off the tines easier if rinsed off immediately instead of after it dries. Always towel dry the tiller afterwards and apply a light coat of oil or silicone to prevent rusting or water damage.

**NOTE:** Never use a pressure washer to clean the tiller. Water can penetrate tight areas of the tiller and cause serious damage.

### Air Filter

Service the air filter every 10 hours under normal operating conditions. Clean every hour under extremely dusty conditions. Poor engine performance and flooding usually indicates that the air filter should be serviced. To service the air filter refer to the separate Engine Operator's Manual.

## Lubrication

### Transmission

The transmission is pre-lubricated and sealed at the factory. It requires no maintenance. See an authorized service dealer for any service issues.

### Tine Shafts

Remove tine assemblies and lubricate the tine shafts at least once a season.

### Wheel Shaft

Remove wheel assembly and lubricate the axle shaft at least once a season.

## Adjustments

### Tine Width

The tilling width of the unit is 22 inches. Tilling width can increase to 24 inches by removing the clevis and cotter pins, sliding each outer tine out one inch, and securing in this position with the pins. For cultivation, reduce the tine width to 13 inches by removing the outer tines completely. See Fig. 6-1.

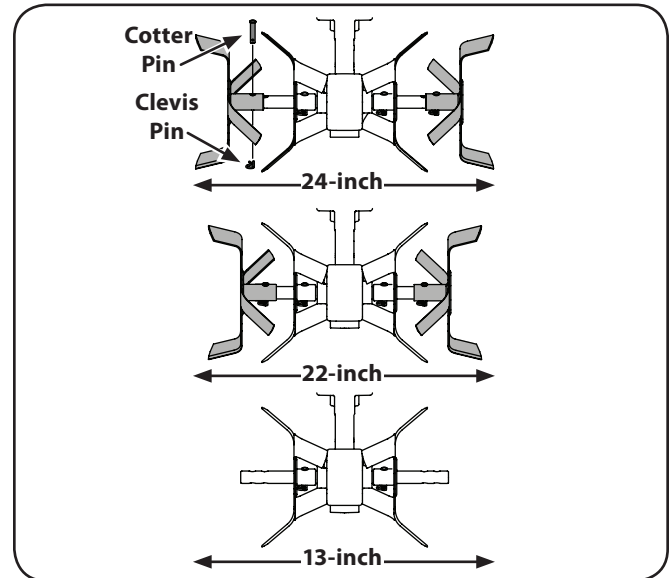


Figure 6-1

## Off-Season Storage

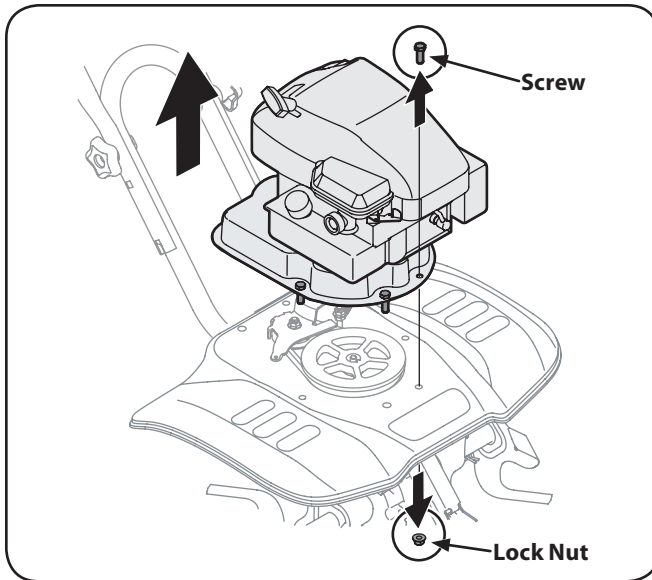
If the tiller will not be used for a period longer than 30 days, the following steps should be taken to prepare the tiller for storage.

- Clean the exterior of engine and the entire tiller thoroughly. Lubricate the tiller as described in the Lubrication instructions.
- We do not recommend the use of pressure washers to clean your tiller. They may cause damage to spindles, pulleys, bearings, or the engine. The use of pressure washers will result in shortened life and reduce serviceability.
- Refer to the engine manual for correct engine storage instructions.
- Wipe tines with oiled rag to prevent rust.
- Store tiller in a clean, dry area. Do not store next to corrosive materials, such as fertilizer.
- When storing any type of power equipment in an unventilated or metal storage shed, care should be taken to rustproof the equipment. Using a light oil or silicone, coat the equipment and especially any springs, bearings, and cables.

## Belt Replacement

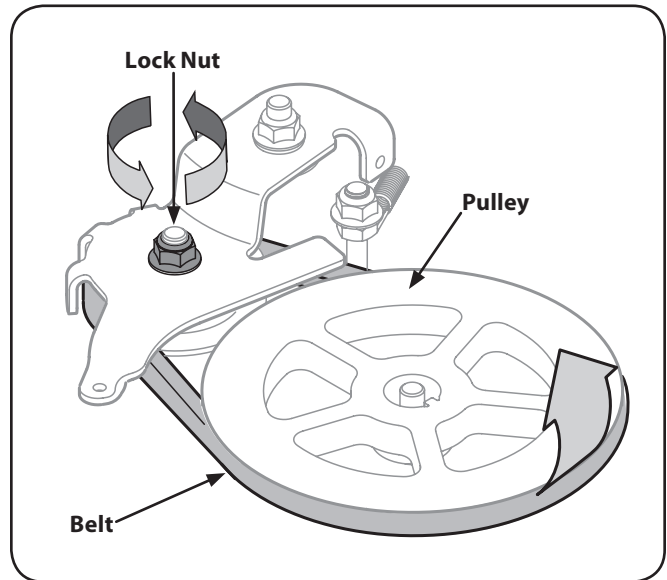
Your tiller has been engineered with a belt made of special material for longer life and better performance. Replace with a factory-approved OEM belt. See the retailer from which you purchased your tiller, an authorized MTD Service Dealer, or call 1-800-800-7310 for information regarding price and availability.

1. Remove the belt cover and engine by removing the six screws and lock nuts holding the engine and cover to the shield. See Fig. 7-1.



**Figure 7-1**

2. Loosen the lock nut shown in Fig. 7-2.

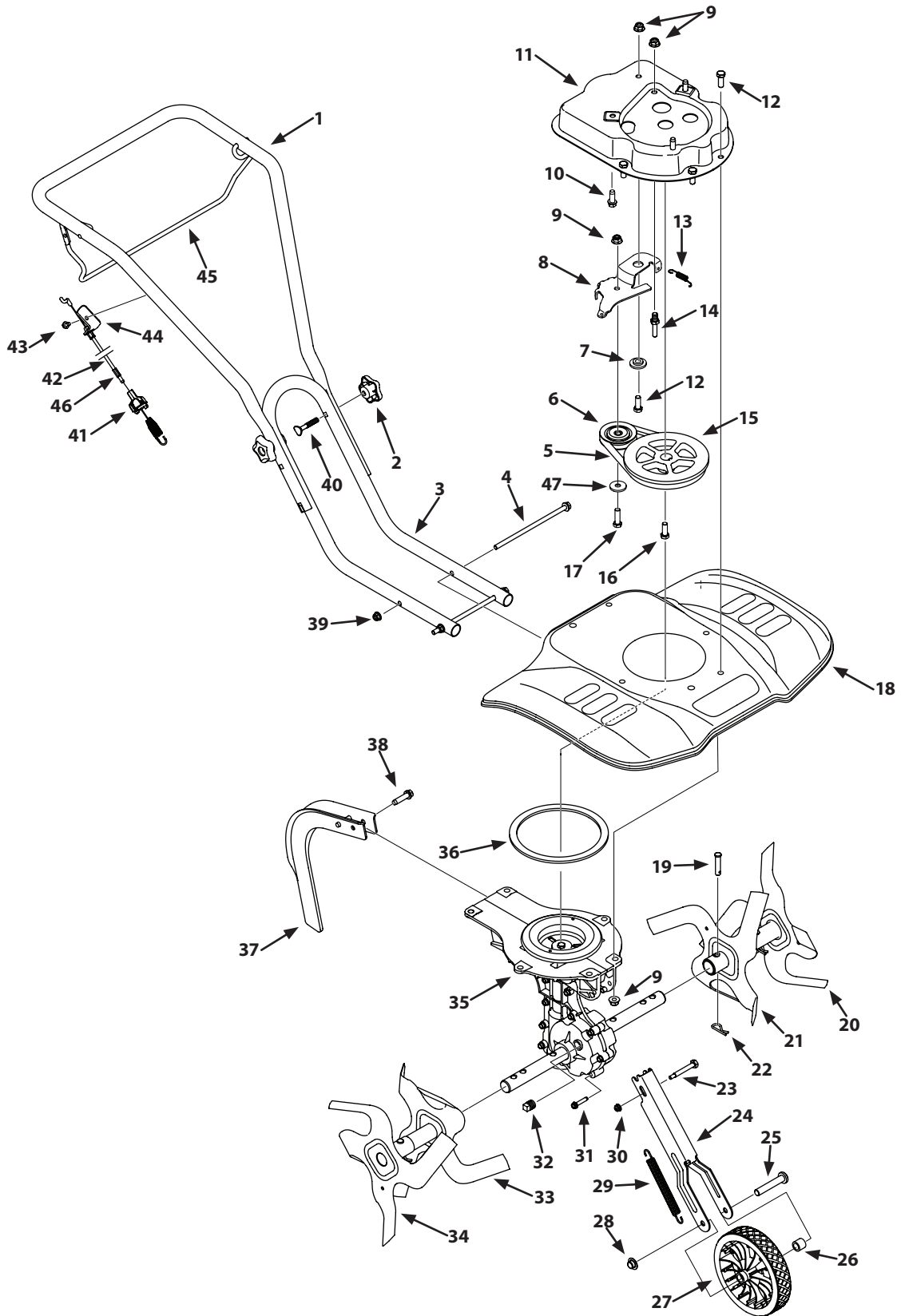


**Figure 7-2**

3. Unloop the belt from the pulleys. See Fig. 7-2.
4. Reassemble the new belt and tighten the lock nut.
5. Reattach belt cover and engine using the hardware removed earlier.

Problem	Cause	Remedy
Engine Fails to start	<ol style="list-style-type: none"> <li>1. Spark plug wire disconnected</li> <li>2. Fuel tank empty or stale fuel</li> <li>3. Throttle control lever (if equipped) not in correct starting position</li> <li>4. Choke not in ON position</li> <li>5. Blocked fuel line</li> <li>6. Faulty spark plug</li> <li>7. Engine flooding</li> </ol>	<ol style="list-style-type: none"> <li>1. Connect wire to spark plug</li> <li>2. Fill tank with clean, fresh gasoline</li> <li>3. Move throttle lever to start position</li> <li>4. Move lever to ON position</li> <li>5. Clean fuel line</li> <li>6. Clean, adjust gap, or replace</li> <li>7. Wait a few minutes to restart, but do not prime (if equipped)</li> </ol>
Engine runs erratic	<ol style="list-style-type: none"> <li>1. Spark plug wire loose</li> <li>2. Unit running on CHOKE</li> <li>3. Blocked fuel line or stale fuel</li> <li>4. Vent plugged</li> <li>5. Water or dirt in fuel system</li> <li>6. Dirty air cleaner</li> <li>7. Carburetor out of adjustment</li> </ol>	<ol style="list-style-type: none"> <li>1. Connect and tighten spark plug wire</li> <li>2. Move choke lever to OFF</li> <li>3. Clean fuel line; fill tank with clean, fresh gasoline</li> <li>4. Clear vent</li> <li>5. Drain fuel tank. Refill with fresh fuel</li> <li>6. Clean following engine manual</li> <li>7. Refer to engine manual</li> </ol>
Engine overheats	<ol style="list-style-type: none"> <li>1. Engine oil level low</li> <li>2. Dirty air filter</li> <li>3. Air flow restricted</li> <li>4. Carburetor not adjusted properly</li> </ol>	<ol style="list-style-type: none"> <li>1. Fill crankcase with proper oil</li> <li>2. Clean air cleaner</li> <li>3. Remove blower housing and clean</li> <li>4. Refer to engine manual</li> </ol>
Tines do no engage	<ol style="list-style-type: none"> <li>1. Foreign object lodged in tines</li> <li>2. Tine clevis pin(s) missing</li> <li>3. Belt worn and/or stretched</li> <li>4. Pulley and idler not in correct adjustment</li> </ol>	<ol style="list-style-type: none"> <li>1. Stop tiller completely, check and discard foreign object</li> <li>2. Replace tine clevis pin(s)</li> <li>3. Replace belt</li> <li>4. Take unit to authorized service</li> </ol>





# Handle, Frame & Wheel Assembly

Ref.	Part Number	Description
1	749-04282-0637	Upper Handle
2	720-04072	Star Handle Knob
3	749-04281-0637	Lower Handle
4	710-04398	Flange Screw: 5/16-18:7.5:GR5
5	954-04123	V-Belt
6	756-04163	Idler Pulley
7	748-04125	Shoulder Spacer
8	686-04080	Idler Bracket
9	712-04065	Flange Lock Nut: 3/8-16
10	710-0654A	TT Screw: 3/8-16:1.00
11	786-04303-0709	Belt Cover
12	710-0514	HH Cap Screw: 3/8-16:1.00
13	732-0418	Extension Spring
14	738-04139	Stud: 33 x 1.5: 3/8-16
15	756-04217	Flywheel Pulley
16	710-0591	HH Cap Screw: 3/8-24:1.00
17	710-0520	HH Cap Screw: 3/8-16:1.55
18	786-04256-0709	Tine Shield 61 cm
19	911-0415	Clevis Pin
20	642-0005-0637	Outer Tine Assembly LH
21	642-0003-0637	Inner Tine Assembly LH
22	914-0149B	Internal Cotter Pin
23	738-04172	Shoulder Screw: .31x2:1/4-20
24	786-04299-0637	Front Wheel Bracket

Ref.	Part Number	Description
25	911-0833B	Clevis Pin
26	750-04578	Spacer
27	734-04063	Wheel 7x1.5 Star-Diam
28	726-0299	Push Cap
29	932-0384	Extension Spring
30	712-04064	Flange Lock Nut: 1/4-20
31	710-0809	TT Screw: 1/4-20:1.25
32	737-04202	Pipe Plug: 3/8 NPT
33	642-0002-0637	Inner Tine Assembly RH
34	642-0004-0637	Outer Tine Assembly RH
35	918-04276A	Case Assembly
36	721-04157	Gasket
37	686-04072-0709	Depth Stake Assembly
38	710-1007	TT Screw: 3/8-16:1.50
39	712-04063	Flange Lock Nut: 5/16-18
40	710-0487	Carriage Bolt
41	731-05385	Clutch Cable Fitting
42	746-04247	Clutch Cable
43	710-0599	TT Screw: 1/4-20:.50
44	786-04307-0637	Cable Mount Bracket
45	747-04508-0637	Clutch Bail
46	716-0208	Retaining Ring
47	936-0300	Flat Washer, .406 x .875 x .059



# MANUFACTURER'S LIMITED WARRANTY FOR



The limited warranty set forth below is given by MTD LLC with respect to new merchandise purchased and used in the United States and/or its territories and possessions, and by MTD Products Limited with respect to new merchandise purchased and used in Canada and/or its territories and possessions (either entity respectively, "MTD").

"MTD" warrants this product (excluding its *Normal Wear Parts and Attachments* as described below) against defects in material and workmanship for a period of two (2) years commencing on the date of original purchase and will, at its option, repair or replace, free of charge, any part found to be defective in materials or workmanship. This limited warranty shall only apply if this product has been operated and maintained in accordance with the Operator's Manual furnished with the product, and has not been subject to misuse, abuse, commercial use, neglect, accident, improper maintenance, alteration, vandalism, theft, fire, water, or damage because of other peril or natural disaster. Damage resulting from the installation or use of any part, accessory or attachment not approved by MTD for use with the product(s) covered by this manual will void your warranty as to any resulting damage.

*Normal Wear Parts* are warranted to be free from defects in material and workmanship for a period of thirty (30) days from the date of purchase. Normal wear parts include, but are not limited to items such as: batteries, belts, blades, blade adapters, tines, grass bags, wheels, rider deck wheels, seats, snow thrower skid shoes, friction wheels, shave plates, auger spiral rubber and tires.

*Attachments* — MTD warrants attachments for this product against defects in material and workmanship for a period of one (1) year, commencing on the date of the attachment's original purchase or lease. Attachments include, but are not limited to items such as: grass collectors and mulch kits.

**HOW TO OBTAIN SERVICE:** Warranty service is available, WITH PROOF OF PURCHASE, through your local authorized service dealer. To locate the dealer in your area:

## **In the U.S.A.**

Check your Yellow Pages, or contact MTD LLC at P.O. Box 361131, Cleveland, Ohio 44136-0019, or call 1-800-800-7310, 1-330-220-4683 or log on to our Web site at [www.mtdproducts.com](http://www.mtdproducts.com).

## **In Canada**

Contact MTD Products Limited, Kitchener, ON N2G 4J1, or call 1-800-668-1238 or log on to our Web site at [www.mtdcanada.com](http://www.mtdcanada.com).

This limited warranty does **not** provide coverage in the following cases:

- The engine or component parts thereof. These items may carry a separate manufacturer's warranty. Refer to applicable manufacturer's warranty for terms and conditions.
- Log splitter pumps, valves, and cylinders have a separate one-year warranty.

- Routine maintenance items such as lubricants, filters, blade sharpening, tune-ups, brake adjustments, clutch adjustments, deck adjustments, and normal deterioration of the exterior finish due to use or exposure.
- Service completed by someone other than an authorized service dealer.
- MTD does not extend any warranty for products sold or exported outside of the United States and/or Canada, and their respective possessions and territories, except those sold through MTD's authorized channels of export distribution.
- Replacement parts that are not genuine MTD parts.
- Transportation charges and service calls.
- MTD does not warrant this product for commercial use.

**No implied warranty, including any implied warranty of merchantability of fitness for a particular purpose, applies after the applicable period of express written warranty above as to the parts as identified. No other express warranty, whether written or oral, except as mentioned above, given by any person or entity, including a dealer or retailer, with respect to any product, shall bind MTD. During the period of the warranty, the exclusive remedy is repair or replacement of the product as set forth above.**

**The provisions as set forth in this warranty provide the sole and exclusive remedy arising from the sale. MTD shall not be liable for incidental or consequential loss or damage including, without limitation, expenses incurred for substitute or replacement lawn care services or for rental expenses to temporarily replace a warranted product.**

Some states do not allow the exclusion or limitation of incidental or consequential damages, or limitations on how long an implied warranty lasts, so the above exclusions or limitations may not apply to you.

In no event shall recovery of any kind be greater than the amount of the purchase price of the product sold. **Alteration of safety features of the product shall void this warranty.** You assume the risk and liability for loss, damage, or injury to you and your property and/or to others and their property arising out of the misuse or inability to use the product.

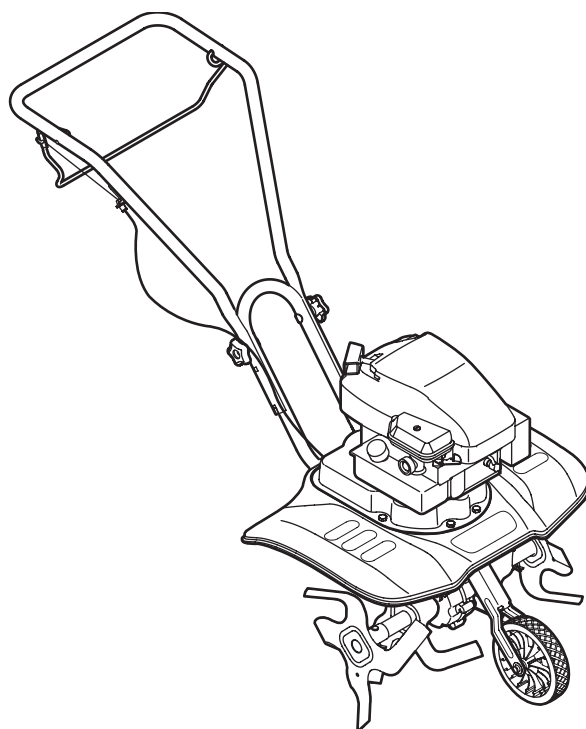
This limited warranty shall not extend to anyone other than the original purchaser or to the person for whom it was purchased as a gift.

**HOW STATE LAW RELATES TO THIS WARRANTY:** This limited warranty gives you specific legal rights, and you may also have other rights which vary from state to state.

**IMPORTANT:** Owner must present Original Proof of Purchase to obtain warranty coverage.

**MTD LLC, P.O. BOX 361131 CLEVELAND, OHIO 44136-0019; Phone: 1-800-800-7310, 1-330-220-4683  
MTD Canada Limited - KITCHENER, ON N2G 4J1; Phone 1-800-668-1238**

# MANUAL DEL OPERADOR



## Cultivadora el mundo la rueda de frente — Serie 250

### **⚠ ADVERTENCIA**

**LEA Y SIGA TODAS LAS INSTRUCCIONES DE ESTE MANUAL ANTES DE PONER EN  
FUNCIONAMIENTO ESTA MÁQUINA.  
SI NO RESPETA ESTAS INSTRUCCIONES PUEDE PROVOCAR LESIONES PERSONALES.**

---

MTD LLC, P.O. BOX 361131 CLEVELAND, OHIO 44136-0019

---

## Gracias

Gracias por comprar una cultivadora fabricada por MTD LLC. La misma ha sido diseñada cuidadosamente para brindar excelente rendimiento si se la opera y mantiene correctamente.

Por favor lea todo este manual antes de operar el equipo. Le indica cómo configurar, operar y mantener la máquina con seguridad y fácilmente. Por favor asegúrese de seguir cuidadosamente y en todo momento las prácticas de seguridad recomendadas, y hacérselas seguir a cualquier otra persona que opere la máquina. En caso de no hacerlo podrían producirse lesiones personales o daños materiales.

Toda la información contenida en este manual hace referencia a la más reciente información de producto disponible en el momento de la impresión. Revise el manual frecuentemente para familiarizarse con la unidad, sus características y funcionamiento. Por favor tenga en cuenta que este Manual del Operador puede cubrir una gama de especificaciones de productos de diferentes modelos. Las características y funciones incluidas y/o ilustradas en este manual pueden no ser aplicables a todos los modelos. MTD se reserva el derecho de modificar las especificaciones de los productos, los diseños y el equipo

estándar sin previo aviso y sin generar responsabilidad por obligaciones de ningún tipo.

Este producto cumple con las estrictas normas de seguridad del Outdoor Power Equipment Institute y de un laboratorio de pruebas independiente. Si tiene algún problema o duda respecto a la unidad, llame a un distribuidor de servicio MTD autorizado o póngase en contacto directamente con nosotros. Los números de teléfono, dirección del sitio web y dirección postal de la Asistencia al Cliente de MTD se encuentran en esta página. Queremos garantizar su entera satisfacción en todo momento.

En este manual, las referencias al lado *derecho* o *izquierdo* de la máquina se observan desde la posición del operador.

El fabricante del motor es el responsable de todas las cuestiones relacionadas con el rendimiento, potencia de salida, especificaciones, garantía y mantenimiento del motor. Para obtener mayor información consulte el Manual del Propietario / Operador entregado por el fabricante del motor, que se envía, en un paquete por separado, junto con su unidad.

## Índice

<b>Importante Medidas importantes de seguridad..</b>	<b>3</b>	<b>Mantenimiento y Ajustes.....</b>	<b>13</b>
<b>Ensamblado y Configuración.....</b>	<b>7</b>	<b>Servicio.....</b>	<b>14</b>
<b>Controles y Características.....</b>	<b>10</b>	<b>Solución de Problemas .....</b>	<b>15</b>
<b>Funcionamiento .....</b>	<b>11</b>		

## Registro de información de producto

Antes de configurar y operar su equipo nuevo, por favor localice la placa del modelo en el equipo y registre la información en el área situada a la derecha. Para encontrar la placa de modelo, colóquese detrás de la unidad en la posición del operador y mire hacia la parte inferior de la sección trasera del chasis. Si tiene que solicitar soporte técnico a través de nuestro sitio web, el Departamento de Asistencia al Cliente, o de un distribuidor de servicio autorizado local, necesitará esta información.

### NÚMERO DE MODELO

□	□	□	□	□	□	□	□	□	□	□
---	---	---	---	---	---	---	---	---	---	---

### NÚMERO DE SERIE

□	□	□	□	□	□	□	□	□	□	□
---	---	---	---	---	---	---	---	---	---	---

## Asistencia al Cliente

**Por favor, NO devuelva la unidad al minorista o distribuidor sin ponerse en contacto primero con el Departamento de Asistencia al Cliente.**

En caso de tener problemas para montar este producto o de tener dudas con respecto a los controles, funcionamiento o mantenimiento del mismo, puede solicitar la ayuda de expertos. Elija entre las opciones que se presentan a continuación:

- ◇ Visite nuestro sitio web en [www.mtdproducts.com](http://www.mtdproducts.com)
- ◇ Llame a un representante de Asistencia al Cliente al (800) 800-7310 ó (330) 220-4683
- ◇ Escribanos a MTD LLC • P.O. Box 361131 • Cleveland, OH • 44136-0019



**¡ADVERTENCIA!** La presencia de este símbolo indica que se trata de instrucciones importantes de seguridad que se deben respetar para evitar poner en peligro su seguridad personal y/o material y la de otras personas. Lea y siga todas las instrucciones de este manual antes de poner en funcionamiento esta máquina. Si no respeta estas instrucciones puede provocar lesiones personales.

Cuando vea este símbolo. **¡TENGA EN CUENTA LAS ADVERTENCIAS!**

## PROPOSICIÓN 65 DE CALIFORNIA



**¡ADVERTENCIA!** El escape del motor de este producto, algunos de sus componentes y algunos componentes del vehículo contienen o liberan sustancias químicas que el estado de California considera que pueden producir cáncer, defectos de nacimiento u otros problemas reproductivos.



**¡ADVERTENCIA!** Los bornes de la batería y los accesorios afines contienen plomo y compuestos de plomo, sustancias químicas que según lo establecido por el Estado de California causan cáncer y daños en el sistema reproductivo. *Lávese las manos después de estar en contacto con estos componentes.*



**¡PELIGRO!** Esta máquina está diseñada para ser utilizada respetando las normas de seguridad contenidas en este manual. Al igual que con cualquier tipo de equipo motorizado, un descuido o error por parte del operador puede producir lesiones graves. Esta máquina es capaz de amputar dedos (de las manos y/o los pies), manos y pies. De no respetar las instrucciones de seguridad siguientes se pueden producir lesiones graves o la muerte.

### Capacitación

1. Lea, entienda y cumpla todas las instrucciones incluidas en la máquina y en el(los) manual(es) antes de intentar realizar el montaje de la unidad y utilizarla. Guarde este manual en un lugar seguro para consultas futuras y periódicas, así como para solicitar repuestos.
2. Familiarícese con todos los controles y con el uso adecuado de los mismos. Sepa cómo detener la máquina y desactivar los controles rápidamente.
3. No permita nunca que los niños menores de 14 años utilicen esta máquina. Los niños de 14 años en adelante deben leer y entender las instrucciones de operación y normas de seguridad contenidas en este manual y en la máquina y deben ser entrenados y supervisados por un adulto.
4. Nunca permita que los adultos operen esta máquina sin recibir antes la instrucción apropiada.
5. Mantenga el área de operación despejada de personas, particularmente de niños pequeños y mascotas. Detenga la máquina si alguien se acerca.

### Preparativos

1. Inspeccione minuciosamente el área donde utilizará el equipo. Quite las piedras, palos, alambres y otros objetos extraños con los que se pueda tropezar y provocar lesiones personales.
2. Utilice zapatos de trabajo resistentes, de suela fuerte, así como pantalones y camisas ajustados. Las prendas sueltas y las alhajas se pueden enganchar en las piezas móviles. Nunca opere la máquina descalzo o con sandalias.
3. Antes de arrancar el motor, desenganche las palancas del embrague y desplácelas (en caso de haber) a la posición neutral ("N").
4. Nunca deje la máquina en funcionamiento sin vigilancia.
5. Nunca intente realizar ajustes mientras el motor está en marcha excepto en los casos específicamente recomendados en el manual del operador.

## Manejo seguro de la gasolina:

Para evitar lesiones personales o daños materiales tenga mucho cuidado cuando trabaje con gasolina. La gasolina es sumamente inflamable y sus vapores pueden causar explosiones. Si se derrama gasolina encima o sobre la ropa se puede lesionar gravemente ya que se puede incendiar. Lávese la piel y cámbiese de ropa de inmediato.

- a. Utilice sólo los recipientes para gasolina autorizados.
- b. Nunca llene los recipientes en el interior de un vehículo o camión o caja de remolque con recubrimiento plástico. Antes de llenarlos, coloque siempre los recipientes en el suelo y lejos del vehículo.
- c. Cuando sea factible, retire el equipo a gasolina del camión o remolque y llénelo en el suelo. Si esto no es posible, llene el equipo en un remolque con un contenedor portátil, en vez de hacerlo con una boquilla dispensadora de gasolina.
- d. Mantenga la boquilla de llenado en contacto con el borde del depósito de combustible o con la abertura del recipiente en todo momento, hasta terminar la carga. No utilice un dispositivo de boquilla de apertura/cierre.
- e. Apague todos los cigarrillos, cigarros, pipas y otras fuentes de combustión.
- f. Nunca cargue combustible en la máquina en un espacio cerrado.
- g. Nunca saque la tapa de la gasolina ni agregue combustible mientras el motor está caliente o en marcha. Deje que el motor se enfríe por lo menos dos minutos antes de volver a cargar combustible.
- h. Nunca llene en exceso el depósito de combustible. Llene el tanque no más de ½ pulgada por debajo de la base del cuello del tapón de carga, para dejar espacio para la expansión del combustible.
- i. Vuelva a colocar la tapa de la gasolina y ajústela bien.
- j. Limpie el combustible que se haya derramado sobre el motor y el equipo. Traslade la máquina a otra zona. Espere 5 minutos antes de encender el motor.
- k. Para reducir el riesgo de incendio, mantenga la máquina limpia de pasto, hojas y de acumulación de otros residuos. Limpie los derrames de aceite o combustible y saque todos los residuos embebidos en combustible.
- l. Nunca guarde la máquina o el recipiente de combustible en un espacio cerrado donde haya fuego, chispas o luz piloto, como por ejemplo de calentadores de agua, calefactores de ambientes, hornos, secadores de ropa u otros aparatos a gas.

## Funcionamiento

1. No coloque las manos ni los pies cerca de las piezas giratorias. El contacto con las piezas giratorias puede resultar en la amputación de manos o pies.
2. No utilice la máquina bajo la influencia del alcohol o las drogas.
3. Nunca opere esta máquina sin buena visibilidad o iluminación. Siempre debe estar seguro de que está bien afirmado y sujetando firmemente las manijas.
4. Mantenga a los transeúntes alejados de la máquina mientras la misma está en funcionamiento. Detenga la máquina si alguien se acerca.

5. Tenga cuidado cuando labore tierras duras. Los dientes pueden clavarse en la tierra e impulsar la cultivadora hacia adelante. Si esto ocurre, suelte el manubrio y deje la máquina libre.
6. Sea sumamente precavido cuando opere la máquina sobre una superficie con grava o cuando la cruce. Manténgase alerta por si se presentan peligros ocultos o tránsito. No transporte pasajeros.
7. Nunca utilice la máquina a altas velocidades de desplazamiento sobre superficies duras o resbaladizas.
8. Tenga cuidado para evitar resbalar o caerse.
9. Mire hacia abajo y hacia atrás y tenga cuidado cuando se desplace en marcha atrás o cuando jale de la máquina hacia usted.
10. Arranque el motor de acuerdo con las instrucciones del manual y mantenga los pies alejados de los dientes en todo momento.
11. Después de golpear con algún objeto extraño, detenga el motor, desconecte el cable de la bujía y conecte el motor a masa. Inspeccione minuciosamente la máquina para ver si está dañada. Repare el daño antes de arrancar y utilizar la máquina.
12. Desenganche todas las palancas de embrague (en caso de haber) y detenga el motor antes de dejar la posición de operación (detrás de las manijas). Espere hasta que los dientes se detengan completamente antes de limpiarlos, hacer algún ajuste o inspeccionarlos.
13. Nunca encienda el motor en espacios cerrados o en una zona con poca ventilación. El escape del motor contiene monóxido de carbono, un gas inodoro y letal.
14. El silenciador y el motor se calientan y pueden causar quemaduras. No los toque.
15. Tenga precaución cuando labore terreno cerca de vallas, edificios y servicios subterráneos. Los dientes rotatorios pueden causar daños materiales o lesiones personales.
16. No sobrecargue la capacidad de la máquina intentando labrar el suelo a un nivel demasiado profundo o a una velocidad demasiado rápida.
17. Si la máquina arranca haciendo un sonido o una vibración rara, detenga el motor, desconecte el cable de la bujía y conéctelo a masa contra el motor. Inspeccione la máquina minuciosamente para ver si está dañada. Repare todos los daños antes de encender y operar la máquina.
18. Mantenga todos los escudos, protectores y dispositivos de seguridad en su lugar y en correcto funcionamiento.
19. Nunca levante o transporte la máquina cuando el motor está encendido.
20. Use sólo aditamentos y accesorios aprobados por el fabricante. Si no lo hace, pueden producirse lesiones personales.
21. Si se presentan situaciones que no están previstas en este manual, tenga cuidado y use el sentido común. Póngase en contacto con Asistencia al Cliente para solicitar ayuda y el nombre del distribuidor de servicio más cercano.

## Mantenimiento y Almacenamiento

1. Mantenga la máquina, los aditamentos y accesorios en condiciones de funcionamiento seguro.
2. Deje que la máquina se enfríe por lo menos cinco minutos antes de guardarla. Nunca altere los dispositivos de seguridad. Controle periódicamente que funcionen correctamente.
3. Controle frecuentemente que todos los pernos y tornillos estén bien ajustados para comprobar que la máquina se encuentra en condiciones seguras de funcionamiento. Además, haga una inspección visual de la máquina para verificar si está dañada.



4. Antes de limpiar, reparar o inspeccionar la máquina, detenga el motor y asegúrese de que los dientes y todas las partes móviles se hayan detenido. Desconecte el cable de la bujía y póngalo haciendo masa contra el motor para evitar que se encienda accidentalmente.
5. No cambie la configuración del regulador del motor ni lo opere a sobrevelocidad. El regulador del motor controla la velocidad máxima de funcionamiento seguro del motor.
6. Mantenga o reemplace las etiquetas de seguridad e instrucciones según sea necesario.
7. Siga las instrucciones de este manual para cargar, descargar, transportar y almacenar de manera segura esta máquina.
8. Si la máquina se va a almacenar por un período prolongado, consulte siempre el manual del operador para ver los detalles importantes que sean necesarios.
9. Si debe vaciar el tanque de combustible, hágalo al aire libre.
10. Respete las normas referentes a la disposición correcta de residuos y las reglamentaciones sobre gasolina, aceite, etc. para proteger el medio ambiente.
11. Según la Comisión de Seguridad de Productos para el Consumidor de los Estados Unidos (CPSC) y la Agencia de Protección Ambiental de los Estados Unidos (EPA), este producto tiene una *vida útil media* de siete (7) años ó 130 horas de funcionamiento. Al finalizar la *vida útil media*, adquiera una máquina nueva o haga inspeccionar anualmente esta unidad por un distribuidor de servicio autorizado para cerciorarse de que todos los sistemas mecánicos y de seguridad funcionan correctamente y no tienen excesivo desgaste. Si no lo hace, pueden producirse accidentes, lesiones o la muerte.

## Aviso referido a emisiones

Los motores que están certificados y cumplen con las regulaciones de emisiones federales EPA y de California para SORE (Equipos pequeños todo terreno) están certificados para operar con gasolina común sin plomo y pueden incluir los siguientes sistemas de control de emisiones: Modificación de motor (EM) y catalizador de tres vías (TWC) si están equipados de esa manera.

## Amortiguador de chispas



**¡ADVERTENCIA!** Esta máquina está equipada con un motor de combustión interna y no debe ser utilizada en un terreno agreste cubierto por bosque, malezas o hierba ni cerca del mismo excepto que el sistema de escape del motor esté equipado con un amortiguador de chispas que cumpla con las leyes locales o estatales correspondientes (en caso de haber).

Si se utiliza un amortiguador de chispas el operador lo debe mantener en condiciones de uso adecuadas. En el Estado de California las medidas anteriormente mencionadas son exigidas por ley (Artículo 4442 del Código de Recursos Públicos de California). Es posible que existan leyes similares en otros estados. Las leyes federales se aplican en territorios federales. Puede conseguir el amortiguador de chispas para el silenciador a través de su distribuidor de mantenimiento de motores autorizado más cercano o poniéndose en contacto con el departamento de servicios, Apartado Postal 361131 Cleveland, Ohio 44136-0019.

## Símbolos de Seguridad

Esta página describe los símbolos y figuras de seguridad internacionales que pueden aparecer en este producto. Lea el manual del operador para obtener la información terminada sobre seguridad, reunirse, operación y mantenimiento y reparación.

Símbolo	Descripción
	<b>LEA EL MANUAL DEL OPERADOR (S)</b> Lea, entienda, y siga todas las instrucciones en el manual (es) antes de intentar reunirse y funcionar.
	<b>LA ADVERTENCIA — LOS DIENTES ROTATIVO</b> No ponga manos o pies cerca del giro de partes. Contacto con las partes rotativas puede amputar manos y pies.
	<b>LA ADVERTENCIA — LOS DIENTES ROTATIVO</b> No ponga manos o pies cerca del giro de partes. Contacto con las partes rotativas puede amputar manos y pies.
	<b>GASOLINA DE ADVERTENCIA ES INFLAMABLE</b> Permita que el motor se enfríe al menos dos minutos antes del reabastecimiento de combustible.
	<b>ADVERTENCIA — MONÓXIDO DE CARBONO</b> Nunca dirijas un motor dentro o en un área mal ventilada. Los gases de combustión de motor contienen el monóxido de carbono, un gas inodoro y mortal.
	<b>ADVERTENCIA — SUPERFICIE CALIENTE</b> Las partes del motor, especialmente el silenciador, llega a ser muy caliente durante la operación. Permita motor y silenciador para ponerse frío antes de tocar.



**¡ADVERTENCIA!** Su responsabilidad—Restrinja el uso de esta máquina motorizada a las personas que lean, comprendan y respeten las advertencias e instrucciones que figuran en este manual y en la máquina.

**GUARDE ESTAS INSTRUCCIONES**

## Contenido de la Caja

- Un Cultivadora
- Un 18 oz. botella SAE30W Petróleo
- Un Manual del operador
- Un Manual del operador del motor

**NOTA:** Permanezca detrás de la cultivadora como si fuese a ponerla en funcionamiento. Su mano derecha corresponde al lado derecho de la cultivadora; su mano izquierda corresponde al lado izquierdo de la cultivadora.

**NOTA:** Este manual del operador puede referirse a distintos modelos de cultivadoras. Las unidades que se ilustran pueden variar levemente de la unidad que usted posee. Siga únicamente las instrucciones que se refieren al número de modelo de la cultivadora que usted posee..

**NOTA:** Esta cultivadora se envía sin gasolina ni aceite en el motor. Llene con gasolina y aceite como se indica en las instrucciones que se incluyen en el manual del motor adjunto ANTES de poner en funcionamiento la máquina..

## Montaje

### La Manija

1. Retire las perillas en estrella de la manija y los pernos del carro de la manija inferior, Fig. 3-1.

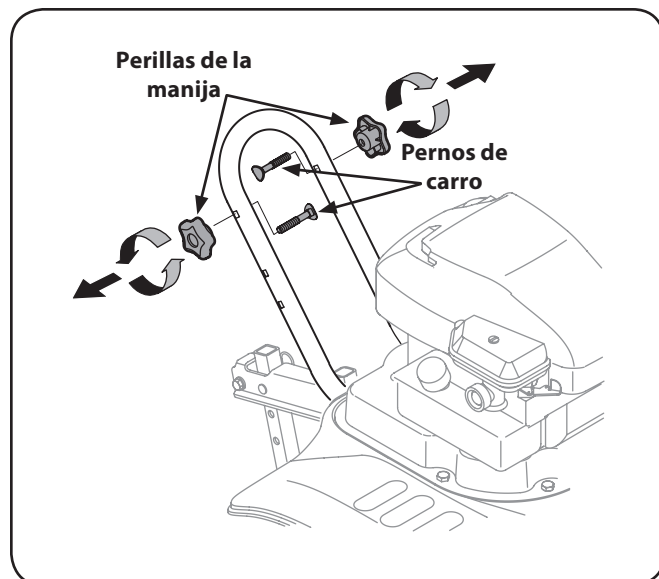


Figura 3-1

2. Ubique la manija superior sobre la manija inferior, Paso A Fig. 3-2. Alinee los orificios de la manija inferior con los orificios de la manija superior (elija los orificios superiores o inferiores de acuerdo con la altura de manija deseada).

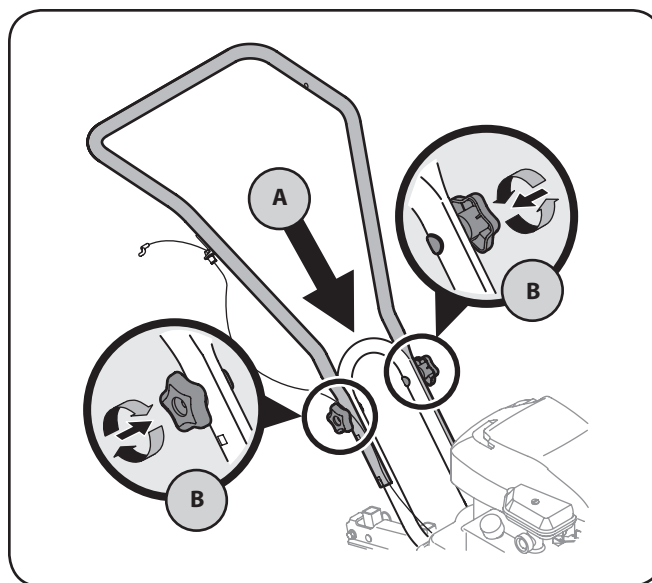


Figura 3-2

3. Inserte los pernos del carro a través de los orificios y ajústelos con las perillas en estrella, Paso B Fig. 3-2. Asegúrese que los pernos del carro queden firmemente asentados en una de las dos posiciones provistas.

4. Inserte el extremo izquierdo del control del embrague de los dientes en el orificio del lado izquierdo de la manija superior, Fig. 3-3.

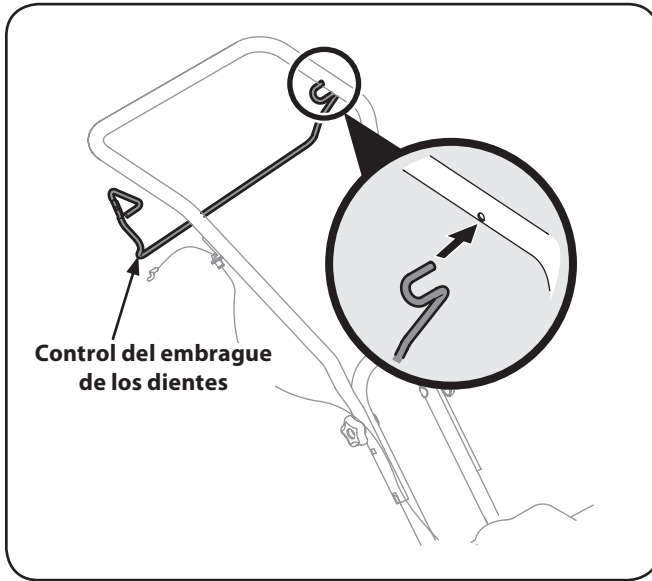


Figura 3-3

5. Inserte el accesorio Z del cable del embrague dentro del orificio que se encuentra en el control del embrague de los dientes. Enganche el extremo "Z" en la abertura desde el interior hacia el exterior según se muestra en la Fig. 3-4.

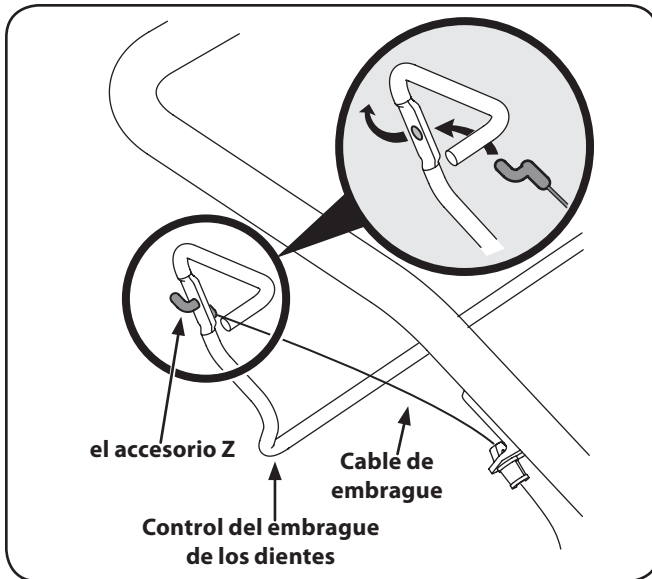


Figura 3-4

6. Apriete el control del embrague de los dientes hacia adentro. Inserte el extremo derecho dentro del agujero que se encuentra en el lado derecho de la manija superior, Fig. 3-5.

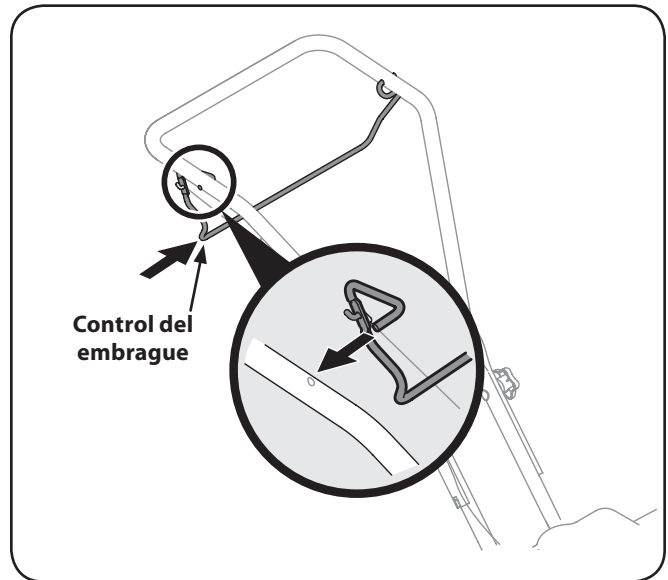


Figura 3-5

## Configuración

**Carga de gas y aceite** Cargue el motor con gasolina y aceite como se indica en el manual separado del mismo que viene embalado con la cultivadora. Lea cuidadosamente las instrucciones.



**¡ADVERTENCIA!** Tenga extremo cuidado cuando manipule gasolina. La gasolina es altamente inflamable y sus vapores pueden causar explosiones. Nunca cargue combustible en la máquina en un espacio cerrado o cuando el motor está caliente o en marcha.

## Ajustes

### Ruedas

La cultivadora se entrega con las ruedas ajustadas de modo que la unidad esté nivelada. Antes de labrar el terreno es necesario levantar la rueda delantera. Para hacerlo, jale del conjunto de la ménsula de la rueda hacia abajo, hacia el suelo, y levántelo, Fig. 3-6. La rueda se moverá a la posición de labranza. Para el transporte de la cultivadora, proceda de forma inversa para bajar la rueda.

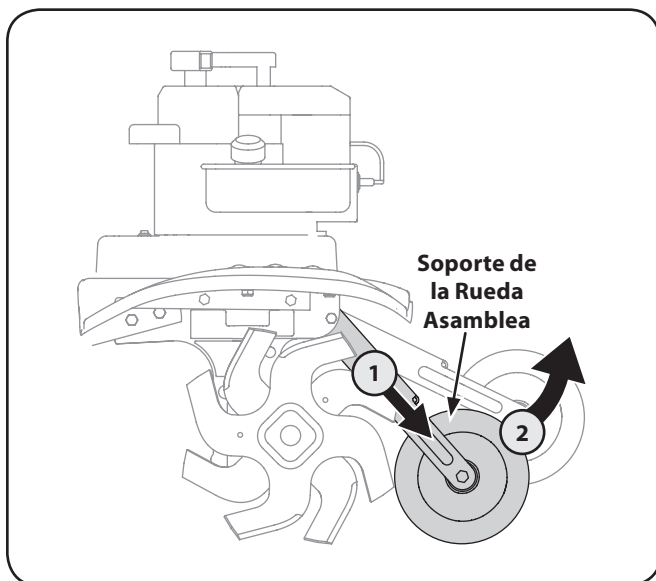


Figura 3-6

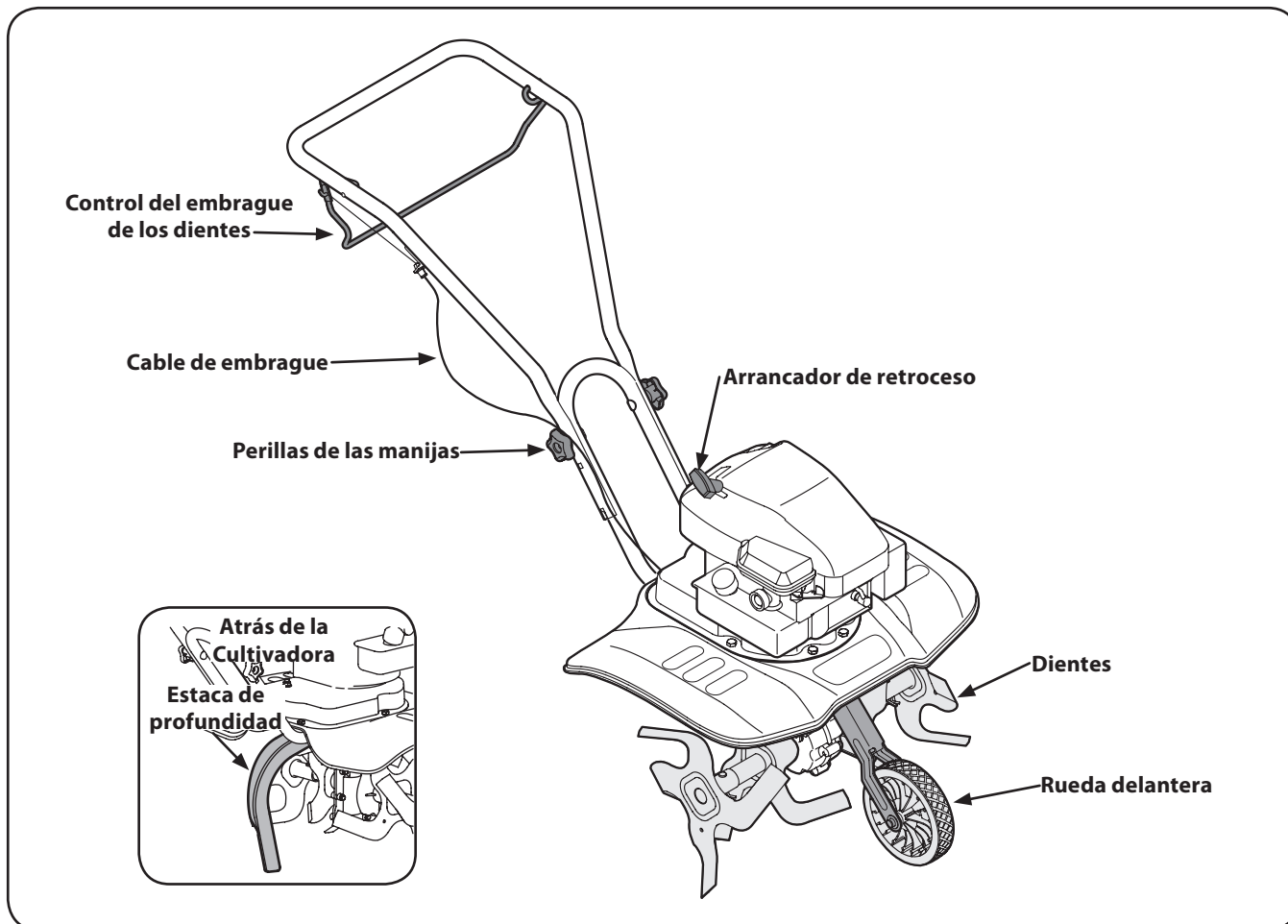


Figura 4-1

## Control del embrague de los dientes

La palanca de control del embrague está ubicada en la manija superior. Para engranar la transmisión de los dientes se aprieta la palanca contra la manija. Suelte la manija para detener los dientes.

## Perillas de las manijas

La altura de las manijas se puede ajustar. Afloje las perillas y retire los pernos del carro para cambiar la posición. Reinstale y apriete los elementos de ferretería cuando termine.

## Arrancador de retroceso

El arrancador de retroceso se encuentra en el motor y se utiliza para arrancar el motor de forma manual.

## Estaca de profundidad

La estaca de profundidad está ubicada en la parte posterior de la cultivadora.

## Rueda Delantera

La rueda delantera se puede levantar y bajar para el transporte y almacenamiento. Consulte la sección Montaje y Configuración para ver las instrucciones.

## Controles del Motor

Consulte el Manual del motor, por separado, para obtener información adicional y detalles sobre las funciones de los controles del motor.

## Control del estrangulador

La palanca de control del estrangulador está ubicada en el motor. Controla la velocidad del motor y lo detiene.

## Cebador

El cebador, ubicado en el motor, se utiliza para bombear gasolina al carburador y ayudar a arrancar el motor. Utilícelo para arrancar un motor frío, pero no lo utilice para volver a arrancar un motor caliente tras una parada corta.



**iADVERTENCIA!** Lea, comprenda y siga todas las instrucciones y advertencias que se encuentran en la máquina y en este manual antes de operarla.



**iADVERTENCIA!** Asegúrese que ninguna persona aparte del operador permanezca cerca de la cultivadora mientras arranca el motor u opera la misma. Nunca encienda un motor en espacios cerrados o en una zona con poca ventilación. El escape del motor contiene monóxido de carbono, un gas inodoro y letal. Mantenga las manos, los pies, el cabello y la ropa suelta alejados de las partes móviles del motor y de la cultivadora.

## Encendido del motor



**iADVERTENCIA!** Asegúrese que nadie se encuentre delante de la cultivadora mientras el motor está en funcionamiento o en proceso de arranque.

Consulte el manual del motor para instrucciones.

1. Conecte el cable de la bujía a la misma. Asegúrese que la tapa metálica del extremo de la bujía esté bien ajustada sobre la punta metálica de la bujía.
2. Compruebe que el control del embrague de los dientes esté desenganchado.
3. Coloque el control del estrangulador en la posición VELOCIDAD RÁPIDA.
4. Para arrancar la máquina por primera vez, presione firmemente el cebador del motor cinco (5) veces. Para todos los arranques futuros, presiónelo tres (3) veces. Espere aproximadamente dos segundos entre cada presión.
5. Coloque la mano izquierda sobre el tanque de gasolina. Tome el arrancador de retroceso y jale la cuerda lentamente hasta que el motor alcance el inicio del ciclo de compresión (la cuerda estará un poco más tirante en este punto).
6. Tire de la cuerda con un golpe de brazo rápido, total y continuo. Sostenga la manija con firmeza. Deje que la soga se enrolle lentamente. No deje que el arrancador de retroceso se suelte contra el motor. Repita hasta que el motor se encienda.

## Detención del Motor

1. Mueva la palanca de control del estrangulador a la posición STOP (detención) u OFF (apagado).
2. Desconecte el cable de la bujía y póngalo de manera que haga masa contra el motor.

## Uso de la Cultivadora

La cultivadora es una máquina de precisión diseñada para ser utilizada en la preparación, labranza, realización de surcos y colocación de mantillo en los lechos de siembra..

## Control de la velocidad y la profundidad de la labranza

Durante la labranza, deje aproximadamente 8 pulgadas de suelo sin labrar entre la primera y la segunda sendas de labranza, luego realice una tercera senda entre la primera y la segunda, Fig. 5-1.

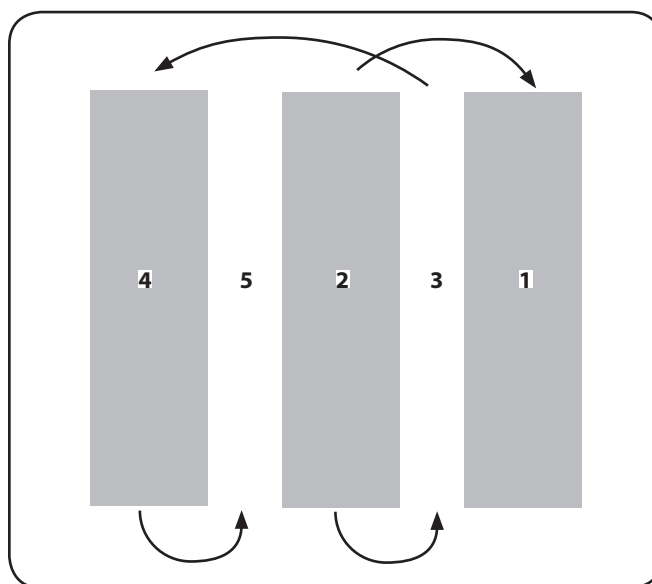


Figura 5-1

En algunos suelos se puede obtener la profundidad deseada la primera vez que se trabaja en el jardín. En otros suelos la profundidad deseada se obtiene pasando dos o tres veces sobre el terreno del jardín. Las pasadas se deben realizar en forma alternada a lo largo y a lo ancho del jardín. Las rocas que se encuentren se deben retirar del área del jardín.

## Presión de las manijas

Se puede obtener un mayor control de la profundidad de la labranza y de la velocidad de recorrido variando la presión sobre las manijas. La presión hacia abajo sobre las manijas reduce la profundidad del trabajo y aumenta la velocidad hacia adelante. La presión hacia arriba sobre las manijas aumenta la profundidad del trabajo y reduce la velocidad hacia adelante. El tipo de suelo y las condiciones de trabajo determinan la configuración real de la estaca de profundidad y la presión requerida de las manijas.

## Labranza

Es deseable una profundidad de dos a tres pulgadas (50,8 - 76,2 mm) para realizar la labranza del terreno. El estrangulador se debe ajustar para controlar el movimiento hacia adelante a una velocidad de marcha a pie lenta. Con los dientes exteriores instalados, el ancho de trabajo de la máquina es de 22 ó 24 pulgadas.

Para tareas de cultivo, el ancho se puede reducir a 13 pulgadas retirando los dientes exteriores. Consulte la sección Ajuste. Cuando trace las hileras de plantación, asegúrese de dejar un ancho suficiente para el cultivo entre dichas hileras. Cuando cultive maíz o algún cultivo similar, el control de las hileras de plantación permitirá el cultivo transversal y prácticamente eliminará la azada manual, Fig. 5-2.

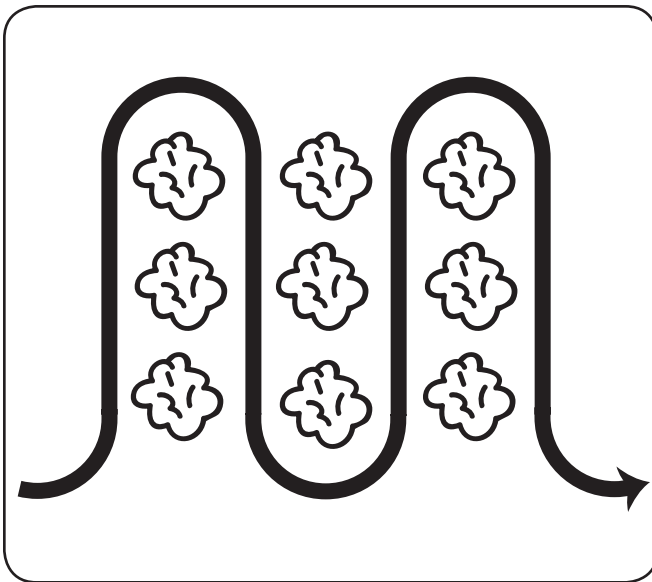


Figura 5-2

La cultivadora tiene muchas aplicaciones además de la de labranza y cultivo de un jardín. Una de dichas aplicaciones es la preparación del área para la siembra. La cultivadora preparará un lecho de siembra profundo que no tendrá puntos duros sin labrar, permitiendo una mejor afirmación del césped para el crecimiento. La cultivadora es muy útil para aflojar suelos duros y prepararlos para su excavación mediante una pala. No es necesario realizar ninguna tediosa labor manual. La cultivadora se puede usar para mezclar abono en acopio o para mezclarla con el suelo del jardín. Esto se debe realizar después de haber fracturado el suelo en la totalidad de la profundidad de trabajo. El abono se debe trabajar a una profundidad de seis a siete pulgadas. Esto se puede realizar trabajando a lo largo del jardín y luego haciendo varias pasadas separadas transversales. El agregado de materia orgánica descompuesta aumenta significativamente la fertilidad del jardín. Para una adecuada acción de descomposición se debe aplicar fertilizante y se debe trabajar con los materiales de mantillo. La mezcla de hojas rotas y paja con varias pulgadas de suelo permite una adecuada aireación del sistema de raíces de las plantas y retarda el crecimiento de malezas.





**¡ADVERTENCIA!** Antes de la inspección, la limpieza o el servicio de los macollos, apagar el motor y esperar a que todas las partes para llegar a una parada completa. Desconecte la bujía. El no seguir estas instrucciones correctamente puede resultar en lesiones corporales graves o daños a la propiedad.

## Mantenimiento

### Motor

Consulte el manual del motor para conocer las instrucciones de mantenimiento del mismo.

### Dientes

Limpie el lado inferior del escudo de los dientes después de cada uso. La suciedad se desprende de los dientes con más facilidad si se los enjuaga inmediatamente en lugar de dejar que se seque. Siempre seque la cultivadora con toalla después del lavado y aplique una capa de aceite o silicona para evitar que se oxide o dañe por acción del agua.

**NOTA:** Nunca use una "lavadora de presión" para limpiar la cultivadora. El agua puede penetrar en las áreas ajustadas de la cultivadora y causar daños graves.

### Filtro de Aire

Limpie el filtro de aire cada diez horas en condiciones normales de uso. Límpielo una vez por hora cuando haya mucho polvo. El bajo rendimiento del motor y el ahogamiento normalmente son indicaciones de que el filtro de aire necesita mantenimiento. Para realizar el control del filtro de aire, consulte el manual del motor.

## Lubricación

### Transmisión

La transmisión se entrega previamente lubricada y sellada en fábrica. No requiere verificación. Consulte con un distribuidor de mantenimiento autorizado por cualquier cuestión relativa al servicio.

### Ejes de los dientes

Retire los conjuntos de los dientes y lubrique los ejes de los mismos por lo menos una vez por estación.

### Eje de las ruedas

Retire el conjunto de las ruedas y lubrique el semieje por lo menos una vez por estación.

## Ajustes

### Ancho de los Dientes

El ancho de labranza de la unidad es de 22 pulgadas. El ancho de labranza puede aumentar a 24 pulgadas retirando los pasadores de horquilla y de chaveta, deslizando cada diente exterior hacia afuera alrededor de una pulgada y ajustándolo en esta posición con los pasadores.

Para tareas de cultivo, reduzca el ancho de los dientes a 13 pulgadas retirando los dientes exteriores completamente, Fig. 6-1.

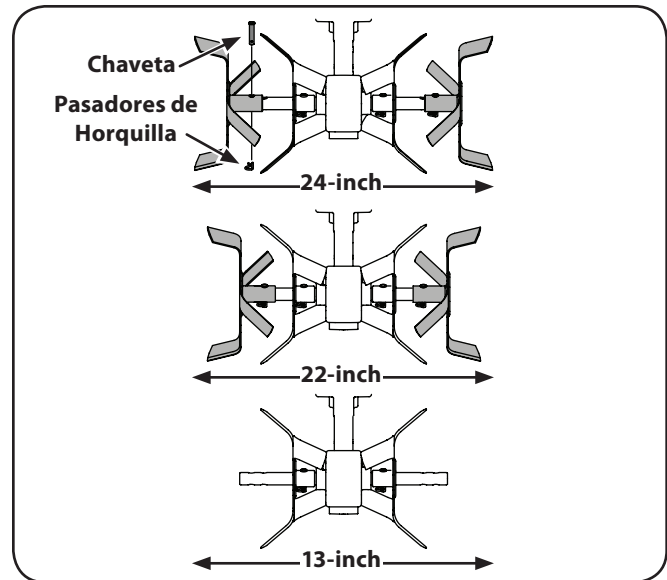


Figura 6-1

## Almacenamiento fuera de temporada

- Si la cultivadora no se usa por un período de más de 30 días, se deben realizar los siguientes pasos para preparar la unidad para el almacenamiento.
- Limpie el exterior del motor y la cultivadora en su totalidad a fondo. Lubrique la cultivadora según se describe en las instrucciones de lubricación.
- No recomendamos el uso de lavadoras de presión para limpiar la unidad. Pueden producir daños a los husillos, poleas, cojinetes o al motor. El uso de lavadoras con presión de agua acortará la vida útil de la máquina y reducirá su capacidad de servicio.
- Consulte el manual del motor para conocer las instrucciones para el almacenamiento correcto del mismo.
- Limpie los dientes con un trapo con aceite para evitar que se oxide.
- Almacene la cultivadora en un área limpia y seca. No la almacene cerca de materiales corrosivos como por ejemplo fertilizantes.
- Cuando almacene cualquier tipo de equipo motorizado en un galpón de depósito metálico o con poca ventilación, tenga especial cuidado de realizarle un tratamiento antioxidante. Use aceite liviano o silicona para recubrir el equipo, especialmente los resortes, los cojinetes y los cables. coat the equipment and especially any springs, bearings, and cables.

## Cambio de la correa

El diseño de la cultivadora incluye una correa de material especial que le proporciona mayor duración y mejor rendimiento. No se la debe cambiar por "cualquier" correa. Consulte al minorista a quien le compró la cultivadora, a un distribuidor autorizado MTD o llame al teléfono 1-800-800-7310 para obtener información sobre precios y disponibilidad.

1. Retire el marco y el motor quitando los seis tornillos y tuercas de seguridad que sujetan el motor y el marco al escudo, Fig. 7-1.

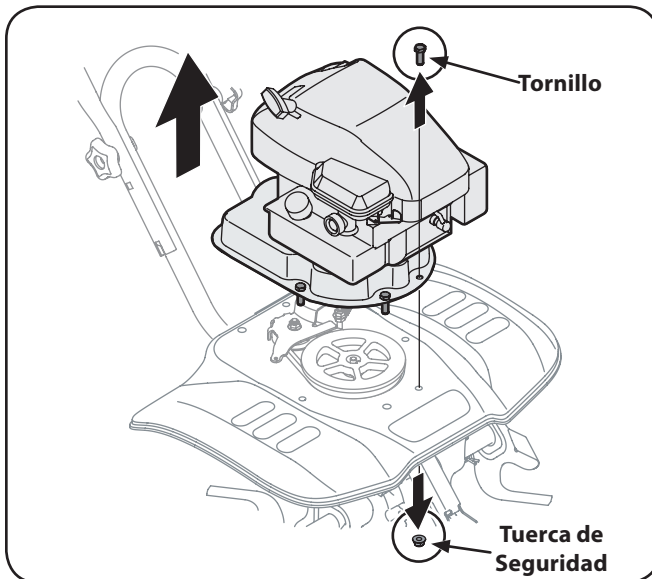


Figura 7-1

2. Afloje la tuerca de seguridad que se muestra en el Paso A Fig. 7-2.

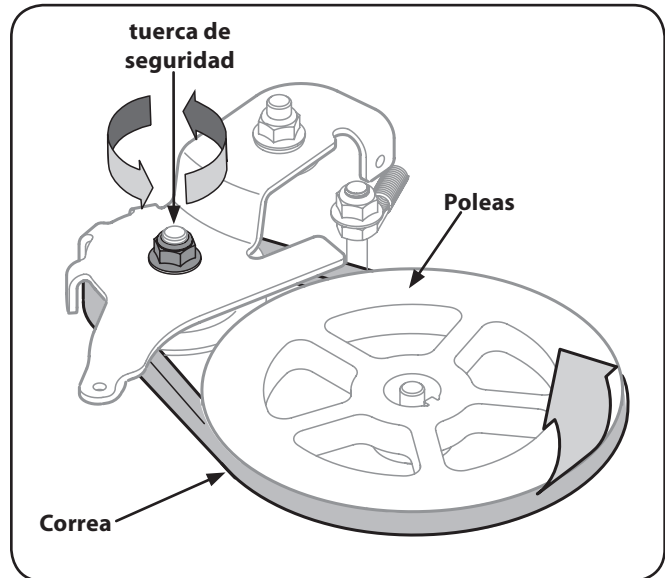


Figura 7-2

3. Saque la correa de las poleas, Paso B Fig. 7-2.
4. Vuelva a colocar la nueva correa y apriete la tuerca de seguridad.
5. Vuelva a unir el marco y el motor usando los elementos de ferretería que quitó antes.

Problema	Causa	Solución
El motor no arranca	<ol style="list-style-type: none"> <li>1. Se ha desconectado el cable de la bujía.</li> <li>2. El tanque de combustible está vacío o el combustible es viejo.</li> <li>3. La palanca de control del estrangulador no está en la posición de arranque correcta (en caso de haber).</li> <li>4. La palanca de obturación no está en la posición ON (encendido).</li> <li>5. La línea del combustible está bloqueada.</li> <li>6. La bujía no funciona correctamente.</li> <li>7. Motor ahogado.</li> </ol>	<ol style="list-style-type: none"> <li>1. Conecte el cable a la bujía.</li> <li>2. Llene el tanque con gasolina limpia y fresca.</li> <li>3. Mueva la palanca del estrangulador a la posición de arranque.</li> <li>4. Ponga la palanca en la posición ON (encendido).</li> <li>5. Limpie la línea del combustible.</li> <li>6. Límpiela, ajuste la distancia o cámbiela.</li> <li>7. Espere unos minutos para reencender, no realice el cebado (en caso de haber).</li> </ol>
El motor funciona de manera errática	<ol style="list-style-type: none"> <li>1. El cable de la bujía está flojo.</li> <li>2. La unidad está funcionando en la posición CHOKE (obturación).</li> <li>3. La línea del combustible está tapada o el combustible es viejo.</li> <li>4. Ventilación tapada.</li> <li>5. Agua o suciedad en el sistema del combustible.</li> <li>6. El filtro de aire está sucio.</li> <li>7. Es necesario ajustar el carburador.</li> </ol>	<ol style="list-style-type: none"> <li>1. Conecte y ajuste el cable de la bujía.</li> <li>2. Ponga la palanca de obturación en la posición OFF (apagado).</li> <li>3. Limpie la línea del combustible; llene el tanque con gasolina limpia y fresca</li> <li>4. Destape la ventilación.</li> <li>5. Vacíe el tanque del combustible. Vuelva a llenarlo con combustible limpio.</li> <li>6. Límpielo según las instrucciones del manual del motor.</li> <li>7. Consulte el manual del motor.</li> </ol>
El motor recalienta	<ol style="list-style-type: none"> <li>1. El nivel de aceite del motor es bajo.</li> <li>2. Filtro de aire sucio.</li> <li>3. Flujo de aire restringido.</li> <li>4. El carburador no está ajustado correctamente.</li> </ol>	<ol style="list-style-type: none"> <li>1. Llene el cárter con aceite adecuado.</li> <li>2. Limpie el filtro de aire.</li> <li>3. Retire la carcasa del soplador y límpielo.</li> <li>4. Consulte el manual del motor.</li> </ol>
Los dientes no engranan	<ol style="list-style-type: none"> <li>1. Hay un objeto extraño en los dientes.</li> <li>2. Falta(n) el(los) pasador(es) de horquilla.</li> <li>3. Correa desgastada y/o estirada.</li> <li>4. La polea y la polea loca necesitan ajuste.</li> </ol>	<ol style="list-style-type: none"> <li>1. Detenga la cultivadora completamente, inspecciónela y deseche el objeto extraño.</li> <li>2. Cambie el(los) pasador(es) de horquilla de los dientes.</li> <li>3. Cambie la correa.</li> <li>4. Lleve la unidad al distribuidor autorizado de mantenimiento.</li> </ol>

# GARANTÍA LIMITADA DEL FABRICANTE PARA



La siguiente garantía limitada es otorgada por MTD LLC con respecto a nuevos productos adquiridos y utilizados en Estados Unidos y/o sus territorios y posesiones, y por MTD Products Limited con respecto a nuevos productos adquiridos y utilizados en Canadá y/o sus territorios y posesiones (cualquiera de las dos entidades, respectivamente, "MTD").

"MTD" garantiza este producto (excluidas las *Piezas y Accesorios con Desgaste Normal* según se describe más abajo) contra defectos en los materiales y mano de obra por un período de dos (2) años a partir de la fecha de compra original y, a su opción, reparará o reemplazará, sin costo alguno, cualquier pieza que presente defectos en los materiales o de mano de obra. Esta garantía limitada sólo se aplicará si el producto ha sido operado y mantenido de acuerdo con las instrucciones del Manual del Operador que se proporciona con el producto y no ha sido objeto de uso inapropiado, abuso, uso comercial, abandono, accidente, mantenimiento incorrecto, alteración, vandalismo, robo, incendio, inundación o algún daño debido a otro peligro o desastre natural. El daño resultante por la instalación o el uso de piezas, accesorios o aditamentos no aprobados por MTD para su uso con el(los) producto(s) incluido(s) en este manual anulará la garantía en lo que respecta a esos daños.

*Se garantiza que las Piezas con Desgaste Normal* están libres de defectos en los materiales y mano de obra por un período de treinta (30) días a partir de la fecha de compra. Las piezas sujetas a desgaste normal incluyen pero no se limitan a: baterías, correas, cuchillas, adaptadores para cuchillas, dientes, bolsas para pasto, ruedas, ruedas para la plataforma de la podadora tractor, asientos, zapatas antideslizantes, ruedas de fricción, placas de raspado, gomas helicoidales y neumáticos.

*Accesorios* - MTD garantiza que los accesorios de este producto están libres de defectos de material y mano de obra durante un período de un (1) año a partir de la fecha de compra o arrendamiento original del accesorio. Los accesorios incluyen, pero no se limitan a: colectores de césped y kits para abono.

**CÓMO SOLICITAR Y OBTENER SERVICIO TÉCNICO:** El servicio de la garantía está disponible, CON COMPROBANTE DE COMPRA, a través de su distribuidor local de servicio autorizado. Para localizar el distribuidor en su área:

## **En Estados Unidos de América**

Consulte las páginas amarillas, o póngase en contacto con MTD LLC en P.O. Box 361131, Cleveland, Ohio 44136-0019, llame al 1-800-800-7310, o visite nuestro sitio web en [www.mtdproducts.com](http://www.mtdproducts.com).

## **En Canadá**

Contacte MTD Products Limited, Kitchener, ON N2G 4J1, llame al 1-800-668-1238 o visite nuestro sitio web en [www.mtdcanada.com](http://www.mtdcanada.com).

Esta garantía limitada **no** ofrece cobertura en los siguientes casos:

- El motor o las piezas que lo componen. Estos productos pueden tener garantía del fabricante por separado. Consulte los términos y condiciones de la garantía aplicable del fabricante.
- Las bombas rompetroncos, válvulas y cilindros tienen una garantía separada de un año.
- Los artículos necesarios para el mantenimiento de rutina como por

ejemplo lubricantes, filtros, afiladores de cuchillas, sincronización del motor, los ajustes de los frenos, del embrague o de la plataforma y el deterioro normal del acabado exterior debido al uso o exposición.

- Mantenimiento no realizado por el distribuidor de servicio autorizado.
- MTD no extiende ninguna garantía para los productos vendidos o exportados fuera de los Estados Unidos de América y/o Canadá, y sus respectivas posesiones y territorios, excepto para aquellos vendidos a través de los canales autorizados de distribución de exportaciones de MTD.
- Piezas de reemplazo que no son piezas originales de MTD.
- Gastos de transporte y por visitas técnicas.
- MTD no garantiza este producto para uso comercial.

**No se aplican garantías implícitas, incluidas las garantías implícitas de comerciabilidad o de adecuación para un propósito determinado, después del período de aplicación de la garantía escrita expresa extendida más arriba para las piezas de acuerdo con su identificación. Ninguna otra garantía expresa, ni oral ni escrita, excepto la mencionada anteriormente, extendida por personas reales o jurídicas, incluidos los distribuidores o los minoristas con respecto a cualquier producto, obligará a MTD. Durante el plazo de la garantía el único recurso es la reparación o reemplazo del producto como se indicó anteriormente.**

**Las disposiciones incluidas en esta garantía proveen el recurso único y exclusivo que surge de las ventas. MTD no se hará responsable de ninguna pérdida o daño incidental o resultante, incluyendo sin limitación, los gastos incurridos para los servicios de mantenimiento del pasto, o los gastos de arrendamiento para reemplazar de manera transitoria un producto bajo garantía.**

Algunos estados no permiten la exclusión o limitación de los daños y perjuicios incidentales o directos, o las limitaciones sobre la duración de las garantías implícitas, por lo que las exclusiones o limitaciones mencionadas anteriormente pueden no ser de aplicación.

En ningún caso se obtendrá una compensación mayor al monto del precio de compra del producto vendido. **La alteración de las características de seguridad del producto anulará esta garantía.** Usted asume el riesgo y la responsabilidad de las pérdidas, daños o lesiones que sufran usted y sus bienes y / o otras personas y sus bienes como resultado del uso incorrecto o de la falta de capacidad para usar este producto.

Esta garantía limitada alcanza solamente al comprador original, o a la persona que recibió el producto de regalo.

## **CÓMO SE RELACIONA LA LEGISLACIÓN ESTATAL CON ESTA**

**GARANTÍA:** Esta garantía limitada le otorga derechos legales específicos y usted también puede tener otros derechos que varían de un estado a otro.

**IMPORTANTE:** El propietario debe presentar el Comprobante de compra original para obtener la cobertura de la garantía.

**MTD LLC, P.O. BOX 361131 CLEVELAND, OHIO 44136-0019, Teléfono: 1-800-800-7310**  
**MTD Canada Limited - KITCHENER, ON N2G 4J1; teléfono 1-800-668-1238**