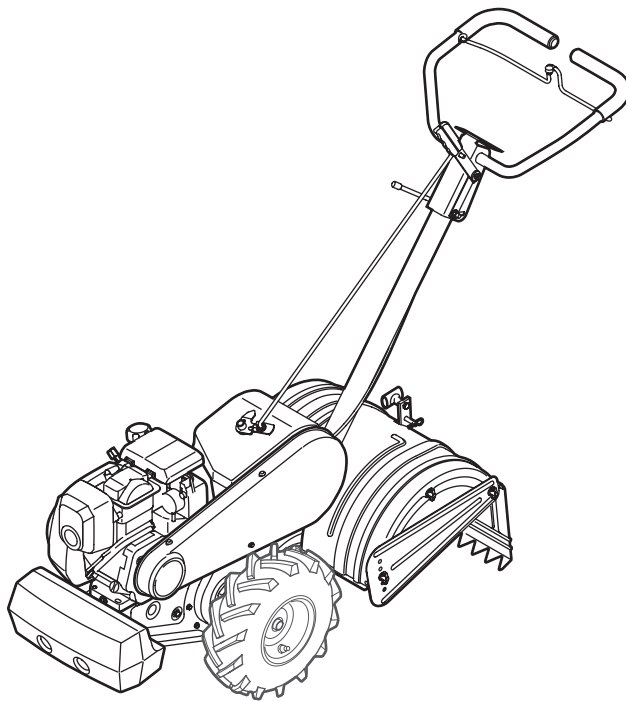

Cub Cadet.

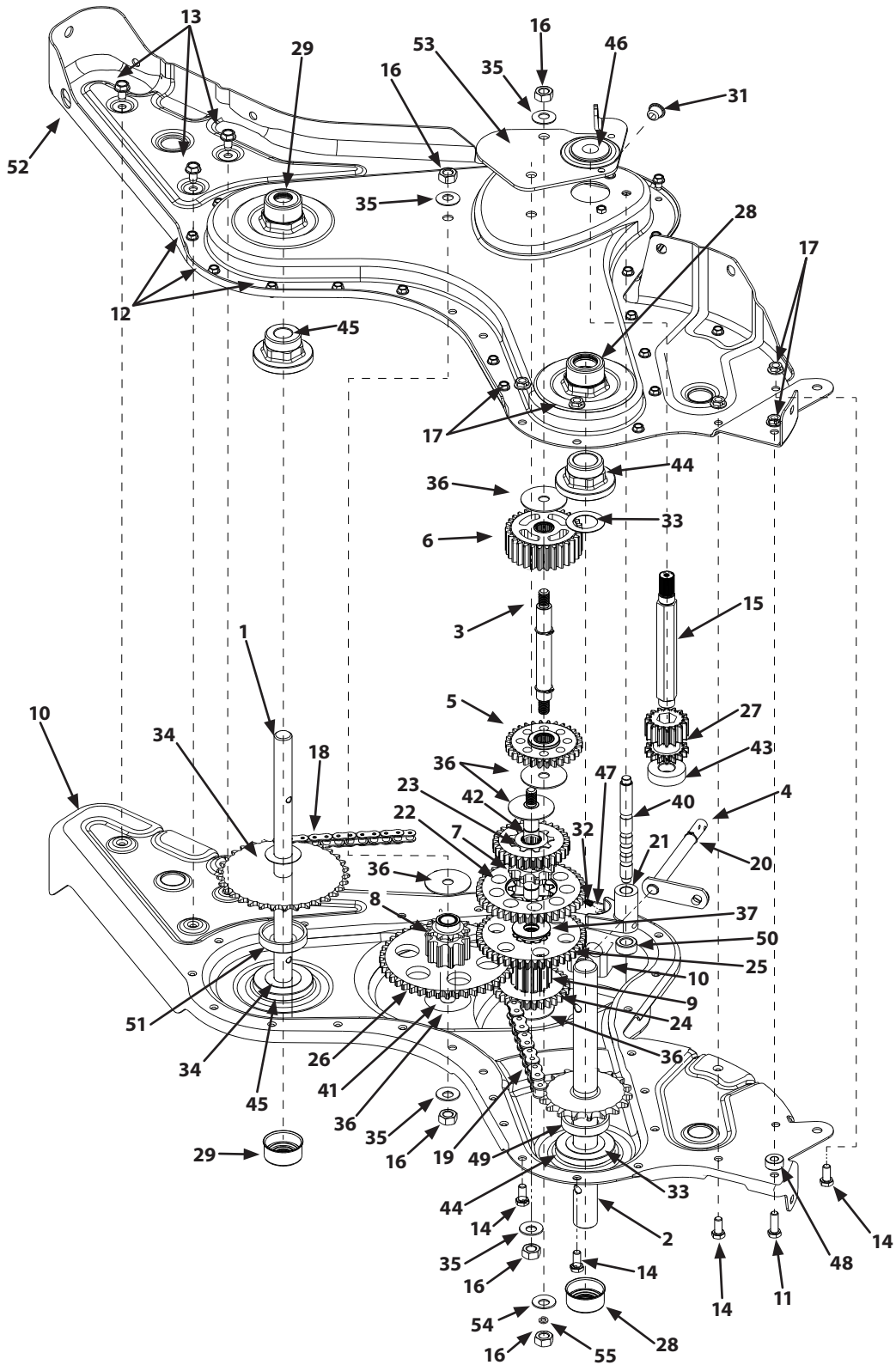
ILLUSTRATED PARTS MANUAL



Cub Cadet Tillers — RT 65 & FT 24

CUB CADET LLC, P.O. BOX 361131 CLEVELAND, OHIO 44136-0019

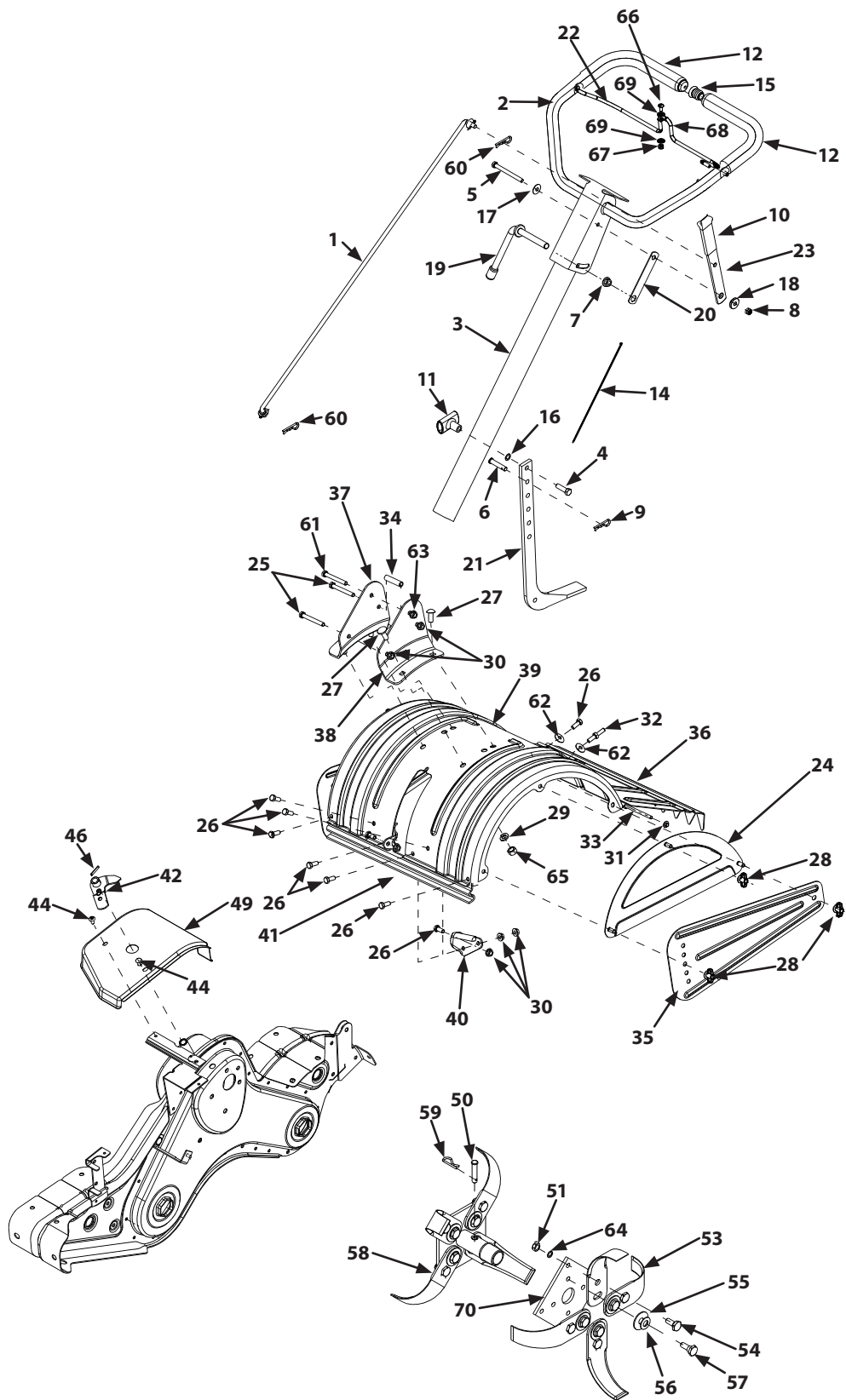
RT 65 Gear Case Assembly



RT 65 Gear Case Assembly

Ref.	Part Number	Description	Ref.	Part Number	Description
1.	611-04074	Wheel Shaft Assembly: 33T	28.	921-0378	Seal 1.0 Shaft
2.	611-0021	Tine Shaft Assembly: 18T	29.	721-0379	Seal .75 Shaft
3.	611-0128	Jack Shaft Assembly	31.	726-0277	Taper Cap Ring
4.	611-0129	Input Shaft Assembly	32.	932-0496	Compression Spring, .50" Leg.
5.	617-0058	Reverse Idler Gear Assembly: 30T	33.	936-0163	Thrust Washer, 1.03" I.D. X. 1.62"
6.	617-0059	Tine Idler Gear Assembly: 30T	34.	936-0351	Fl-Washer, .76" I.D. x 1.5" O.D.
7.	617-0060	Tine Input Sprocket Assembly: 9T	35.	736-0407	Bell-Washer, .45" I.D. x 1.0"
8.	617-0061	Wheel Input Sprocket Assembly: 10T	36.	736-0518	Thrust Washer, .445 x 1.92 x .060
9.	617-0062	Gear Assembly: 11T	37.	736-3088	Fl-Washer, .635" I.D. x 1.59 O.D.
10.	686-0108-0637	R.H. Housing Assembly	40.	738-0645	Detent Shaft, 1/2" Dia.
11.	710-0376	Hex Bolt, 5/16-18 x 1" Lg.	41.	738-0648	Jack Shaft, .625 x 2.385
12.	710-0599	Hex Self-Tap Screw, 1/4- 20 x.5"	42.	738-1013	Jack Shaft, .625 x 5.0
13.	710-0604A	Hex Self-Tap Screw, 5/16-18 x.625"	43.	941-0124	Ball Bearing
14.	710-3008	Hex Bolt, 5/16-18 x.75"	44.	941-0420	Flange Bearing, 1.0 x 2.5 x 1.38
15.	711-1349	Input Shaft	45.	741-0421	Flange Bearing, .75 x 2.5 x 1.38
16.	712-0378	Hex Nut, 7/16-20	46.	941-0563	Ball Bearing, .6692 x 5745 x .466
17.	712-3004A	Flange Nut, 5/16-18	47.	741-0862	Detent Ball, .250
18.	913-0367	#420 Chain, 1/2 Pitch x 50 Links	48.	750-0258	Spacer, .315
19.	913-0484	#50 Chain, 5/8 Pitch x 54 Links	49.	950-0570	Spacer, 1.0 I.D x 2.0 O.D. x .440
20.	716-0865	Snap Ring	50.	750-0664	Spacer, .505 I.D. x .88 O.D. x .440
21.	717-0853	Shifting Fork	51.	950-0671	Spacer, .75 x 2.0 x .50
22.	717-1582	Spur Gear, 44T	52.	786-0171-0637	L.H. Chain Case Assembly
23.	717-1583	Spur Gear, 30T	53.	786-0238	Gear Positioner Bracket
24.	717-1584	Spur Gear, 30T	54.	936-0226	Flat Washer, .474 x .879 x .064
25.	717-1585	Spur Gear, 44T	55.	936-0171	Lock Washer, 7/16
26.	717-1587	Spur Gear, 44T	—	986-04074	Gear Case Assembly Complete
27.	717-1594	Spur Gear, 16T			

RT 65 Handle & Tine Assembly

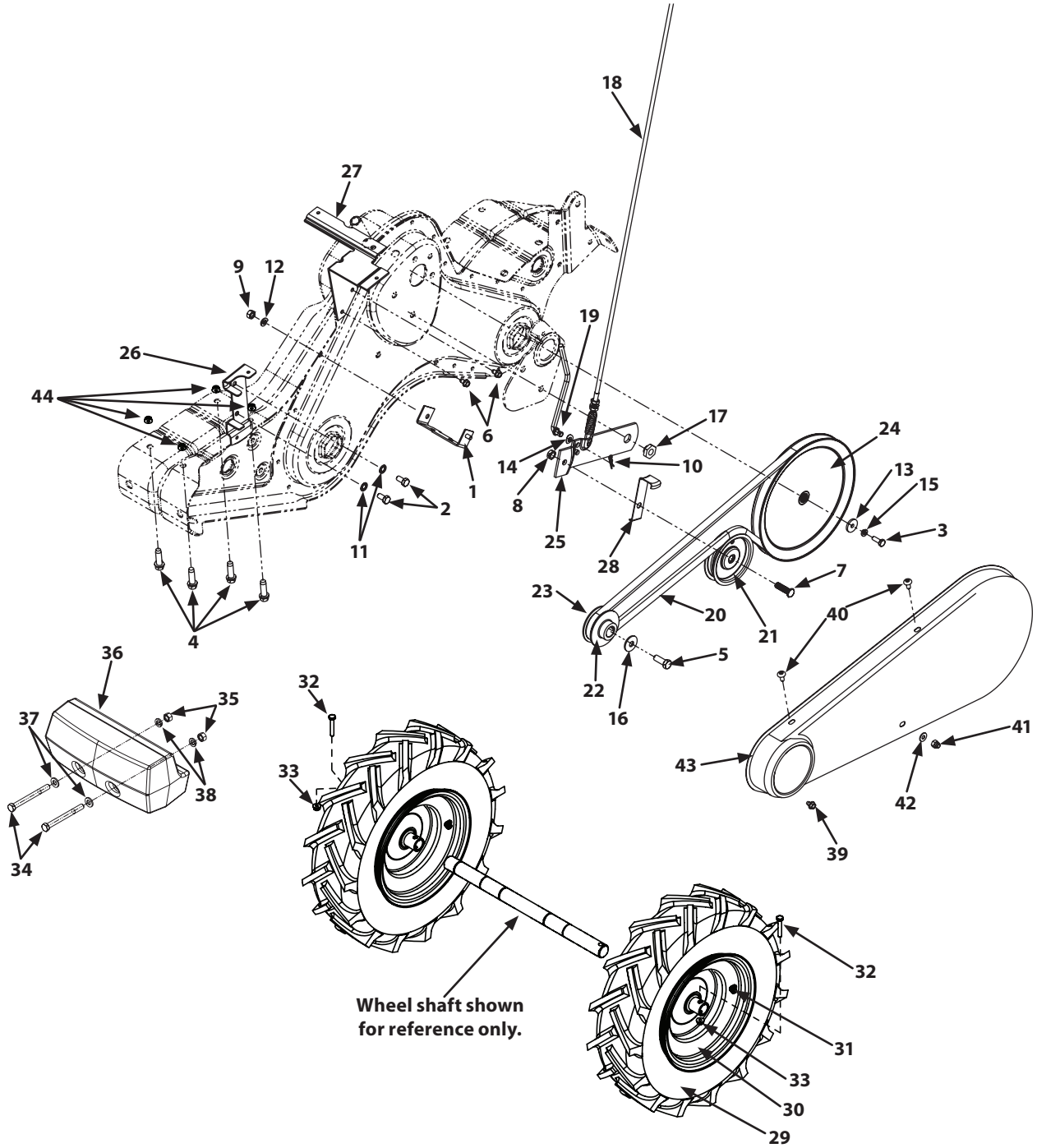


RT 65 Handle & Tine Assembly

Ref.	Part Number	Description
1.	647-0039	Shift Rod
2.	649-0041-4021	Upper Handle Assembly
3.	649-0034-4021	Lower Handle Assembly
4.	710-3005	Hex Screw, 3/8-16 x 1.25
5.	710-3056	Hex Screw, 5/16-18 x 3.25
6.	911-0415	Clevis Pin, 3/8-1.62
7.	712-0379	Flange Lock Nut, 3/8-24
8.	912-0429	Hex Lock Nut, 5/16-18
9.	714-0147	Cotter Pin
10.	720-0313	Grip
11.	720-0210A	T-Knob
12.	720-0278A	Foam Grip
14.	726-0317	Cable Tie
15.	735-0246A	Plug
16.	936-0117	Flat Washer, 3/8 ID x .620 OD
17.	736-0242	Bell Washer, .340 ID x .872 OD
18.	938-0958	Shoulder Spacer
19.	784-0190	Handle Adjustment Crank
20.	784-0191	Hex Nut Retainer Bracket
21.	786-0120-0637	Depth Stake
22.	747-1219-0637	Bail Clutch
23.	786-0181-4021	Shift Lever Rod
24.	686-0044B-4021	Tine Shield Cover Assembly
25.	710-0176	Hex Cap Screw, 5/16-18 x 2.75
26.	710-3008	Hex Cap Screw, 5/16-18 x .750
27.	710-3097	Carriage Bolt, 3/8-16 x 1.0
28.	712-0421	Wing Nut
29.	936-0169	Lock Washer, 3/8
30.	712-04063	Flange Nut, 5/16-18
31.	926-0106	Cap Nut
32.	938-0849	Hex Screw, 5/16-18 x .75"
33.	747-0432	Rod

Ref.	Part Number	Description
34.	750-0885A	Spacer, .322 x .625 x 2.0
35.	786-0090A-4021	Shield Side
36.	786-0113A-4021	Tine Shield Hinge Flap
37.	786-0176-4021	RH Handle Bracket
38.	786-0177-4021	LH Handle Bracket
39.	786-0178A-0637	Tine Shield
40.	786-0179-0637	Tine Shield Bracket
41.	786-0180-0637	Shoulder Spacer Bracket
42.	686-0109	Shift Crank Assembly
44.	710-1017	Screw, 1/4-14 x .625
46.	915-0120	Spiral Pin, 3/16 x 1.0
49.	784-0208C-4021	Shift Cover
50.	911-0415	Clevis Pin
51.	712-3054	Hex Nut, 3/8-24
53.	942-0621	13" Articulating Tine
54.	938-0689	Shoulder Bolt
55.	936-0208	Flat Washer, .51" ID x 1.50" OD
56.	936-0253	Bell Washer, .515" ID x 1.14" OD
57.	938-0688	Shoulder Bolt
58.	984-0160-0637	Tine Adapter Assembly, 18"
59.	914-0149B	Internal Cotter Pin
60.	914-0104	Cotter Pin
61.	710-3022	Hex Screw, 3/8-16 x 2.75"
62.	736-0204	Flat Washer
63.	712-04065	Flange Nut, 3/8-16
64.	936-0169	Lock Washer
65.	912-3017	Hex Nut, 3/8-16
66.	710-0946	Truss Screw, 1/4-20 x .65
67.	712-0324	Hex Lock Nut, 1/4-20
68.	726-0273	Battery Hose Clamp, 5/16
69.	736-3090	Flat Washer, .260 ID x .720 OD
70.	784-0161-0637	Tine Adapter Plate

RT 65 Drive System

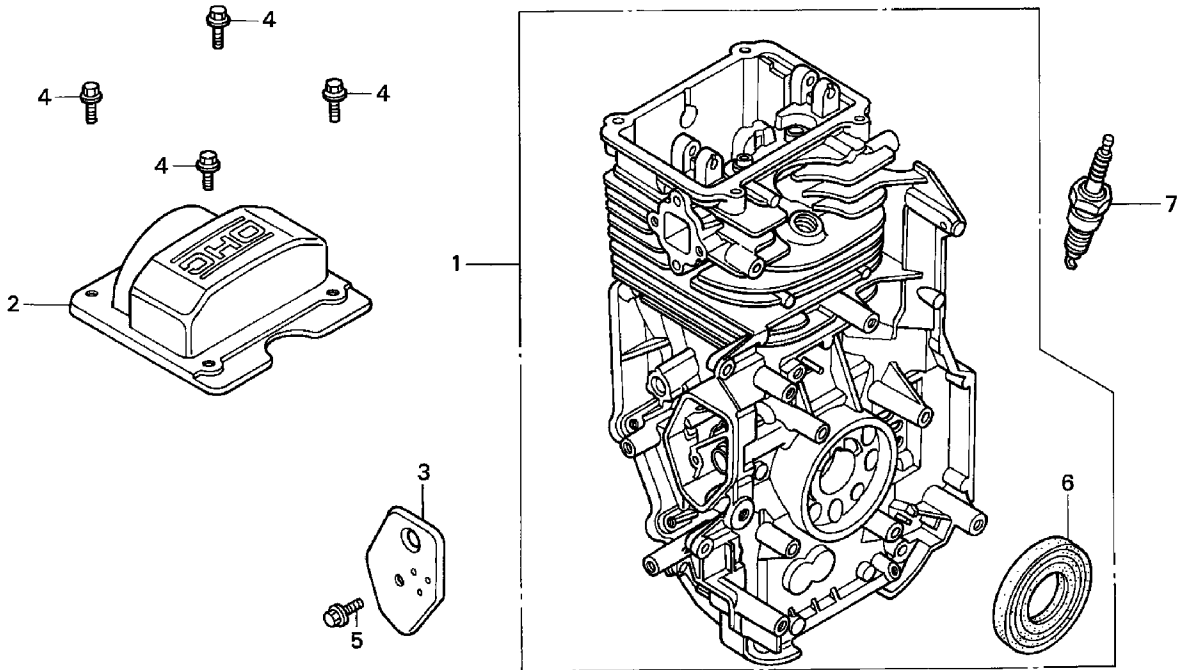


RT 65 Drive System

Ref.	Part Number	Description
1.	686-0111-0637	Belt Cover Bracket Assembly
2.	710-0237	Hex Bolt, 5/16-24 x .62"
3.	710-0412	Hex Bolt, 1/4-28 x .75"
4.	710-0520	Hex Washer Screw, 3/8-16 x 1.50"
5.	710-1039	Hex Bolt, 3/8-24 x 1.0
6.	710-0599	Hex Washer Screw
7.	710-0723	Hex Cap Screw, 3/8-16 x 1.25
8.	912-0266	Lock Jam Nut, 3/8-16
9.	912-0267	Hex Nut, 5/16-18
10.	914-0104	Internal Cotter Pin
11.	936-0104	Lock Washer, 5/16
12.	936-0119	Lock Washer, 5/16"
13.	936-0176	Flat Washer, .25 ID x .93 OD
14.	936-0271	Spring Washer, .317 ID x .625 OD
15.	936-0329	Lock Washer, 1/4" ID
16.	936-0452	Bell Washer, .396 ID x 1.14 OD
17.	938-0876	Shoulder Nut, 7/16-20
18.	746-1117	Clutch Cable
19.	747-1159	Idler Pulley Rod
20.	954-0434	V-Belt
21.	756-0405	Flat Idler w/ Flange, 3.75 OD
22.	756-0971	Outer Engine Pulley Half
23.	756-0972	Inner Engine Pulley Half

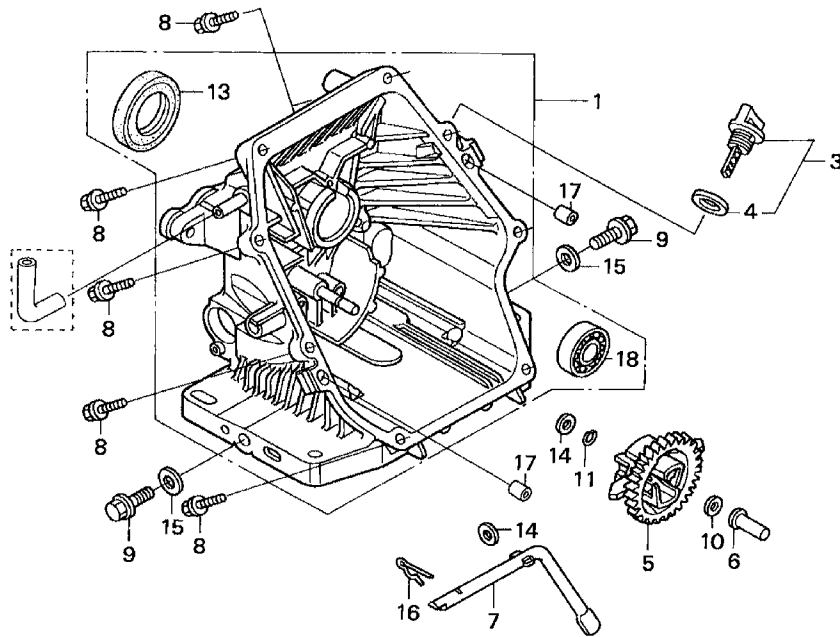
Ref.	Part Number	Description
24.	756-1162	Input Pulley
25.	786-0064A	Idler Bracket
26.	786-0185-0637	Belt Keeper Bracket
27.	786-0187-0637	Shift Cover Bracket
28.	786-0193-0637	Idler Belt Keeper
29.	934-04365	Wheel Assembly, 16.0 x 4.6 x 8
	734-0808-0901	Tire Only, 16.2 x 4.6
30.	934-04365	Wheel Rim Assembly
31.	934-0255	Air Valve
32.	710-0606	Hex Head Screw, 1/4-20
33.	712-04064	Flange Lock Nut, 1/4-20
34.	710-0382	Hex Bolt, 1/2-13 x 5.0
35.	912-0206	Hex Nut, 1/2-13
36.	723-0381	Counterweight, 40 lbs.
37.	736-0326	Flat Washer
38.	736-0921	Lock Washer, 1/2
39.	710-0653	Hex Screw, 1/4-20 x .375
40.	710-1017	Screw, 1/4-14 x .625
41.	712-0392	Lock Nut
42.	936-3020	Flat Washer, .271 ID x .630 OD
43.	784-0158A-4021	Belt Cover
44.	712-04065	Flange Lock Nut, 3/8-16

RT 65 Honda GC190A Cylinder



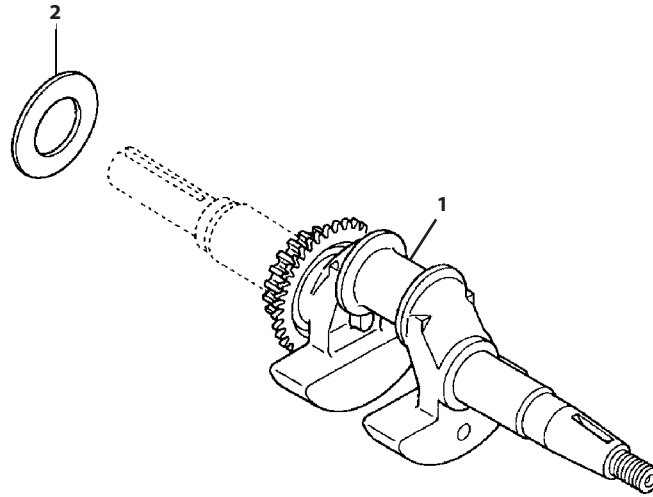
Ref.	Part Number	Description
1.	12000-Z1A-0000	Cylinder Assembly
2.	12311-ZL8-D00	Head Cover
3.	12355-ZL8-000	Breather Cover , Valve Assembly
4.	90013-883-000	Flange Bolt, 6 X 12
5.	90014-952-000	Flange Bolt, 6 X 14
6.	91201-ZL8-003	Oil Seal, 25.4 X 62 X 6
7.	98079-56846	Spark Plug (BPR6ES NGK)

RT 65 Honda GC190A Crankcase Cover



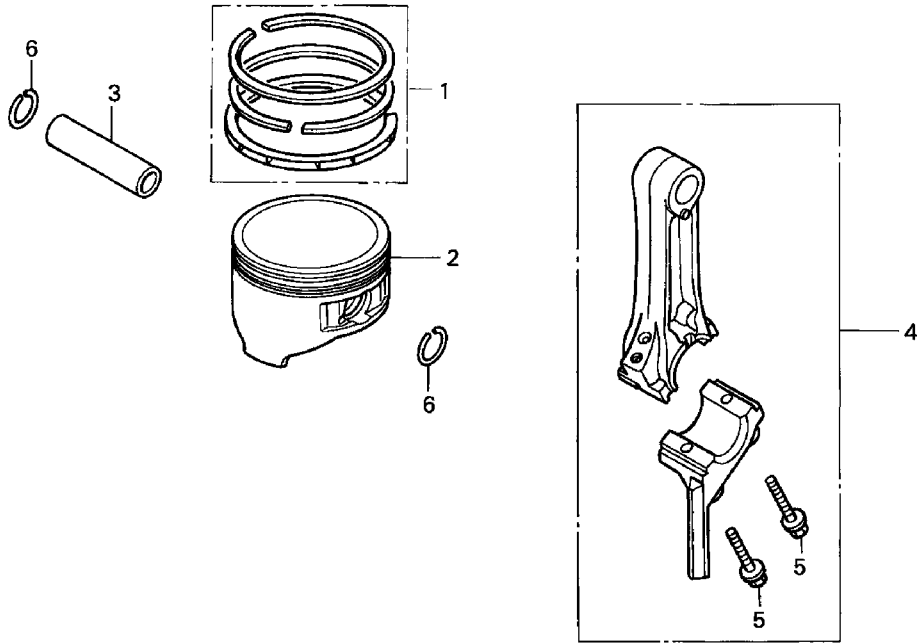
Ref.	Part Number	Description
1.	11300-Z1A-600	Crankcase Cover Assembly
3.	15600-ZF0-003	Oil Filler Cap Assembly
4.	15625-ZE1-003	Oil Filler Cap Gasket
5.	16510-ZL8-000	Governor Assembly
6.	16531-ZE1-000	Governor Slider
7.	16541-ZL8-000	Governor Arm Shaft
8.	90121-952-000	Flange Bolt, 6 x 25
9.	90131-896-650	Drain Plug Bolt
10.	90451-ZE1-000	Thrust Washer, 6mm
11.	90602-ZE1-000	Governor Holder Clip
13.	91202-ZL8-003	Oil Seal, 28 x 41.25 x 6
14.	94101-06800	Plain Washer, 6mm
15.	94109-12000	Drain Plug Washer, 12mm
16.	94251-08000	Lock Pin, 8mm
17.	94301-08200	Dowel Pin, 8 x 20

RT 65 Honda GC190A Crankshaft



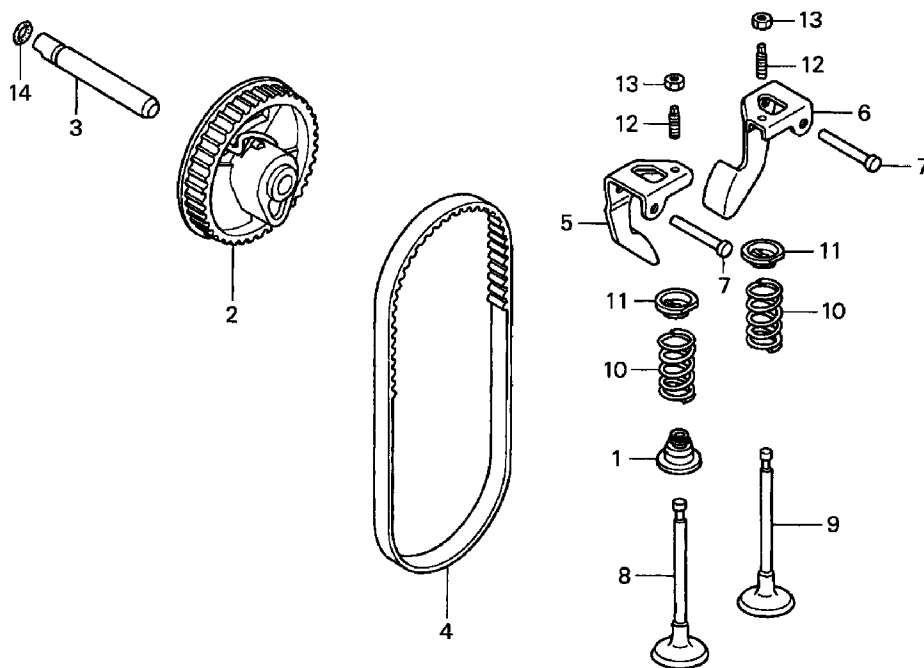
Ref.	Part Number	Description
1.	13310-Z1A-660	Crankshaft (M-Type)
2.	90402-ZL8-000	Thrust Washer

RT 65 Honda GC190A Piston



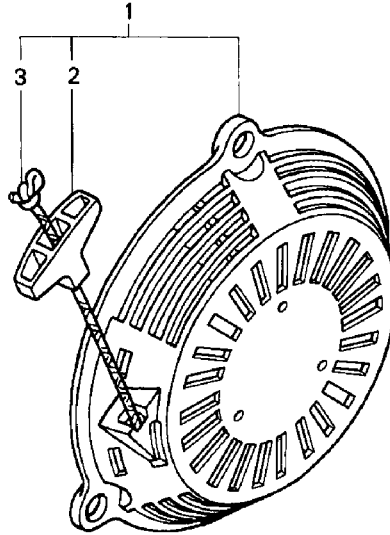
Ref.	Part Number	Description
1.	13010-Z0Y-004	Piston Ring Set (Teikoku)
2.	13101-Z0Y-000	Piston
3.	13111-Z0Y-000	Piston Pin
4.	13200-Z0Y-000	Connecting Rod Assembly
5.	90001-ZE1-000	Connecting Rod Bolt
6.	90551-ZE0-000	Piston Pin Clip, 13mm

RT 65 Honda GC190A Camshaft



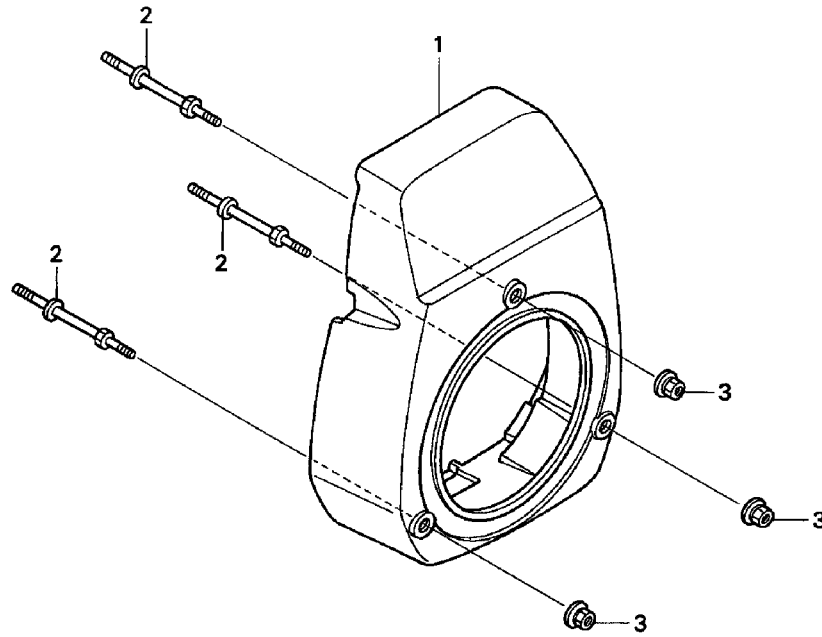
Ref.	Part Number	Description
1.	12209-ZM0-003	Valve Stem Seal
2.	14320-Z0Y-000	Cam Pulley
3.	14324-ZL8-000	Cam Pulley Shaft
4.	14400-Z0J-014	Timing Belt, 84HU& G-200
5.	14431-Z0J-000	Internal Valve Rocker Arm
6.	14441-Z0J-000	External Valve Rocker Arm
7.	14461-ZL8-000	Rocker Arm Shaft
8.	14711-ZL8-000	Internal Valve
—	14711-Z0J-000	Internal Valve
9.	14721-ZL8-000	External Valve
10.	14751-ZL8-000	Valve Spring
11.	14771-ZE1-000	Internal Valve Spring Retainer
12.	90012-333-000	Tappet Adjustable Screw
13.	90206-001-000	Tappett Adjustble Nut
14.	91301-ZM0-V31	O-Ring, 6.8 x 1.9

RT 65 Honda GC190A Recoil Starter



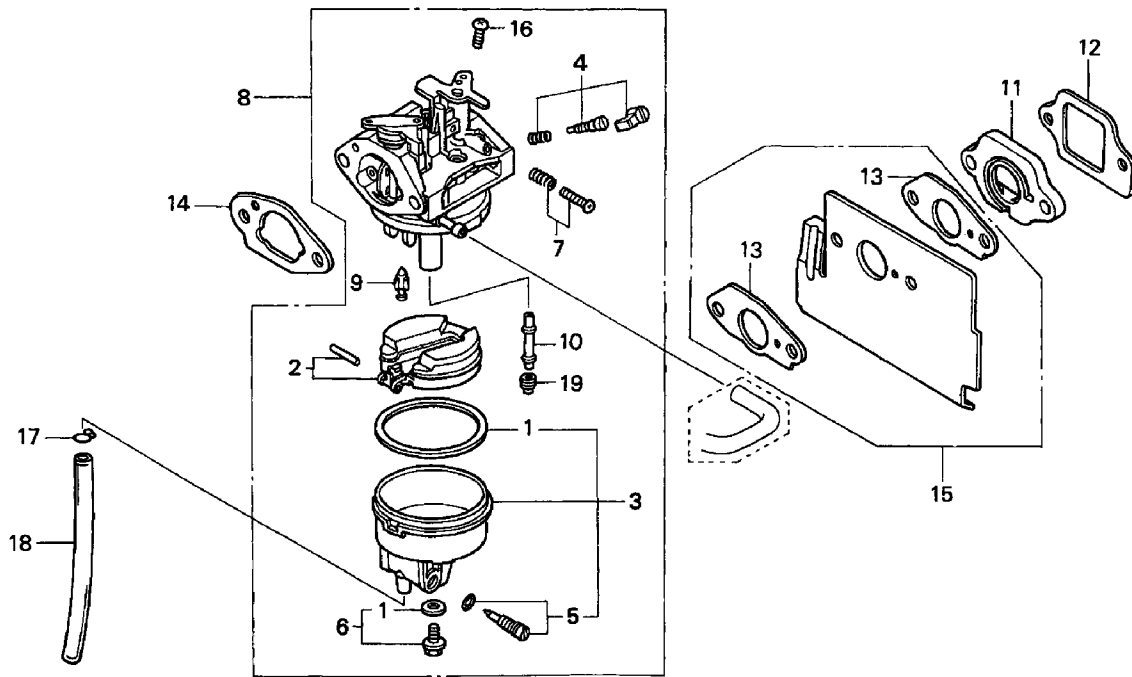
Ref.	Part Number	Description
1.	28400-Z1A-013ZA	Recoil Starter Assembly (Black)
—	28400-Z1A-013ZB	Recoil Starter Assembly (Power Red)
2.	28461-ZL8-003	Recoil Starter Knob
3.	28462-ZL8-003	Recoil Starter Rope, #3.5 x 52"

RT 65 Honda GC190A Fan Cover



Ref.	Part Number	Description
1.	19611-Z1A-000ZA	Fan Cover (Black)
—	19611-Z1A-000ZB	Fan Cover (Power Red)
2.	90043-ZL8-000	Stud Bolt
3.	90201-ZM0-000	Flange Nut, 6mm

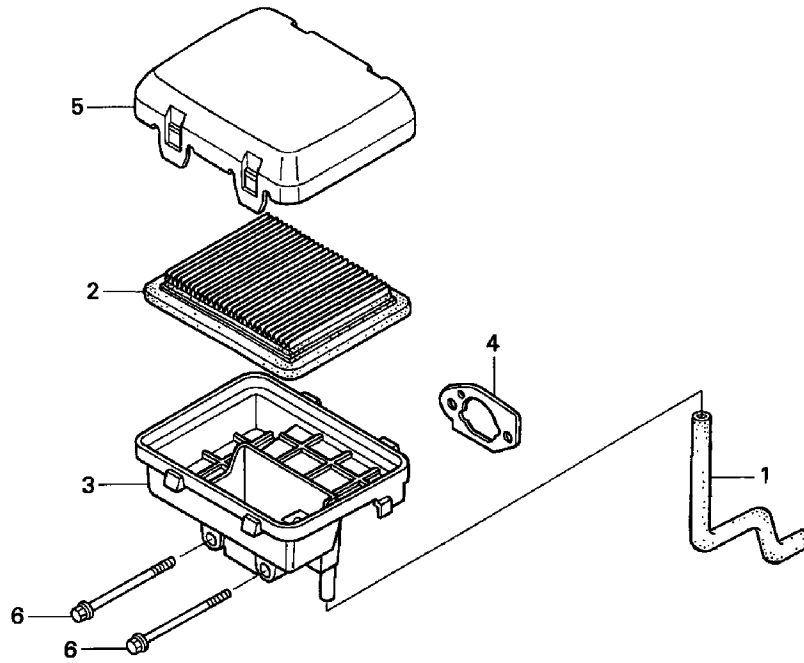
RT 65 Honda GC190A Carburetor



Ref.	Part Number	Description
1.	16010-883-015	Gasket Set
2.	16013-ZL1-003	Float Set
3.	16015-ZL8-003	Float Chamber Set
4.	16016-Z1A-013	Screw Set
5.	16024-124-760	Drain Screw Set
6.	16028-ZE0-005	Screw Set B
7.	16029-ZG0-901	Screw Set
8.	16100-Z1A-013	Carburetor Assembly, BB61E B
9.	16155-ZL8-003	Float Valve, Carb.No. BB61E A 1
—	16155-ZL8-013	Float Valve, Carb.No BB61E B
10.	16166-Z1A-003	Main Nozzle

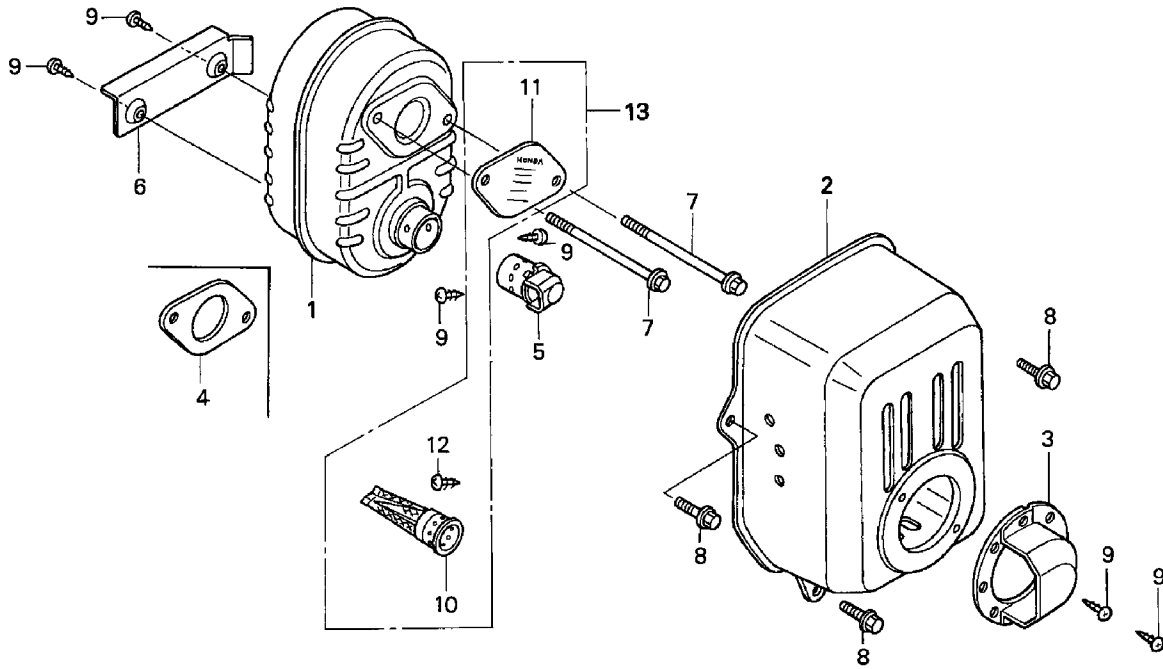
Ref.	Part Number	Description
11.	16211-ZL8-000	Carburetor Insulator
12.	16212-ZL8-000	Insulator Gasket
13.	16221-883-800	Carburetor Gasket
14.	16228-ZL8-000	Carburetor Gasket (Choke Side)
15.	19650-ZL8-000	Air Guide
16.	93500-05006-0H	Pan Screw, 5 x 6
17.	95002-02650	Tube Clip, B6.5
18.	95003-07008-60M	Vinyl Bulk Hose (4X7X8000, 4X7X150)
19.	99101-124-0620	Main Jet, #62
—	99101-124-0650	Main Jet, #65
—	99101-124-0680	Main Jet, #68

RT 65 Honda GC190A Air Filter



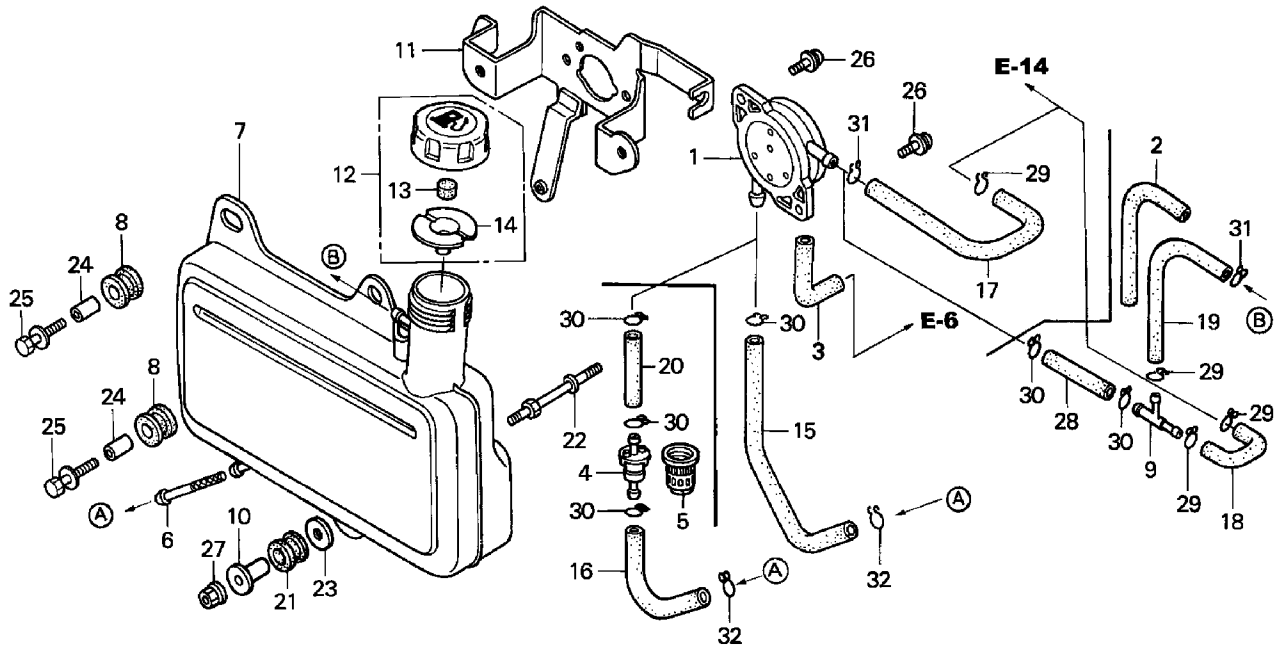
Ref.	Part Number	Description
1.	15721-ZL8-000	Breather Tube
2.	17211-ZL8-003	Air Cleaner Element
3.	17220-ZL8-000	Air Cleaner Housing
4.	17228-ZL8-000	Air Cleaner Gasket
5.	17231-Z0J-020	Air Cleaner Cover
6.	90003-ZL8-000	Flange Bolt, 6 x 112

RT 65 Honda GC190A Muffler



Ref.	Part Number	Description
1.	18310-ZL8-010	Muffler
2.	18321-Z0L-000	Muffler Protector
4.	18381-ZL8-305	Muffler Gasket
6.	19664-ZL8-000	Muffler Shroud
7.	90004-ZL8-000	Flange Bolt, 6 x 79
8.	90013-883-000	Flange Bolt, 6 x 12
9.	90055-ZE1-000	Tapping Screw, 4 x 6
10.	18350-ZL8-000	Spark Arrester
11.	18356-ZL8-000	Arrester Number Plate
12.	90055-ZE1-000	Tapping Screw, 4 x 6
13.	06180-Z0J-000	Spark Arrester Kit

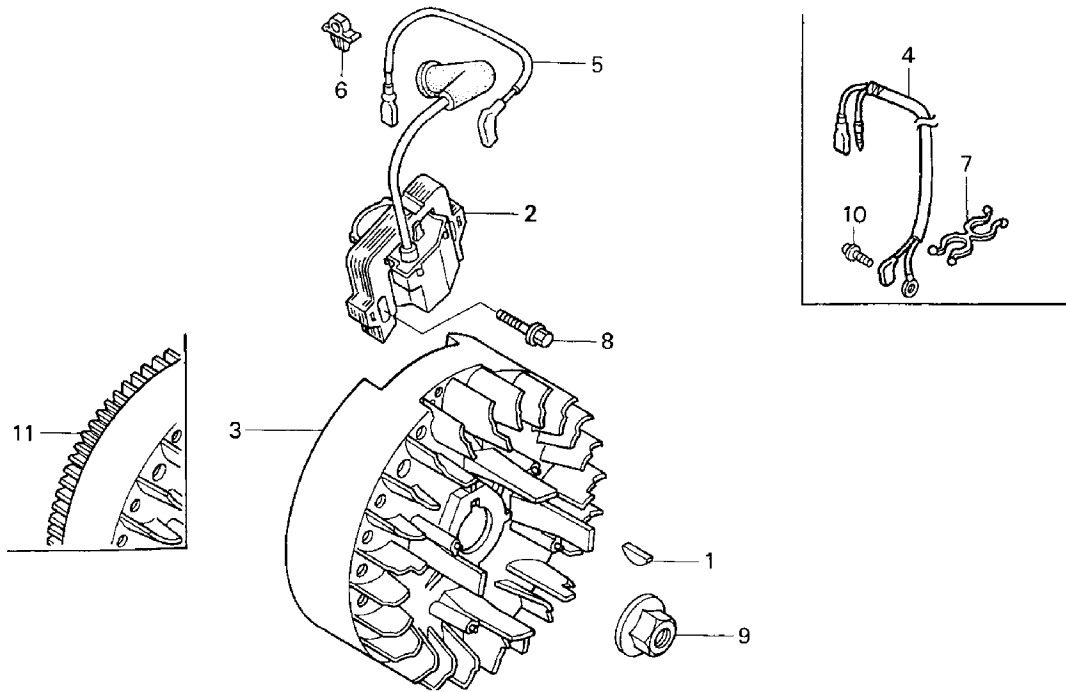
RT 65 Honda GC190A Fuel System



Ref.	Part Number	Description
1.	16700-Z0J-003	Fuel Pump Assembly
2.	16854-ZH8-000	Supporter Rubber, 107mm
3.	16882-ZL8-000	Diaphragm Tube
4.	16910-ZV4-015	Fuel Filter
5.	16915-ZV4-000	Strainer Suspension
7.	17511-ZL8-800	Fuel Tank
8.	17516-ZV0-000	Tank Mounting Rubber
9.	17519-ZL8-800	Fule Tube Joint
10.	17535-KE7-000	Fuel Tank Setting Collar
11.	17561-ZL8-000	Fule Tank Stay
12.	17620-ZL8-013	Fuel Tank Cap Assembly
13.	17622-ZL8-003	Fuel Cap Breather Sponge
14.	17624-ZL8-003	Fuel Cap Gasket
16.	17701-ZL8-800	Fuel Tank Tube
18.	17702-ZL8-800	Fuel Tube

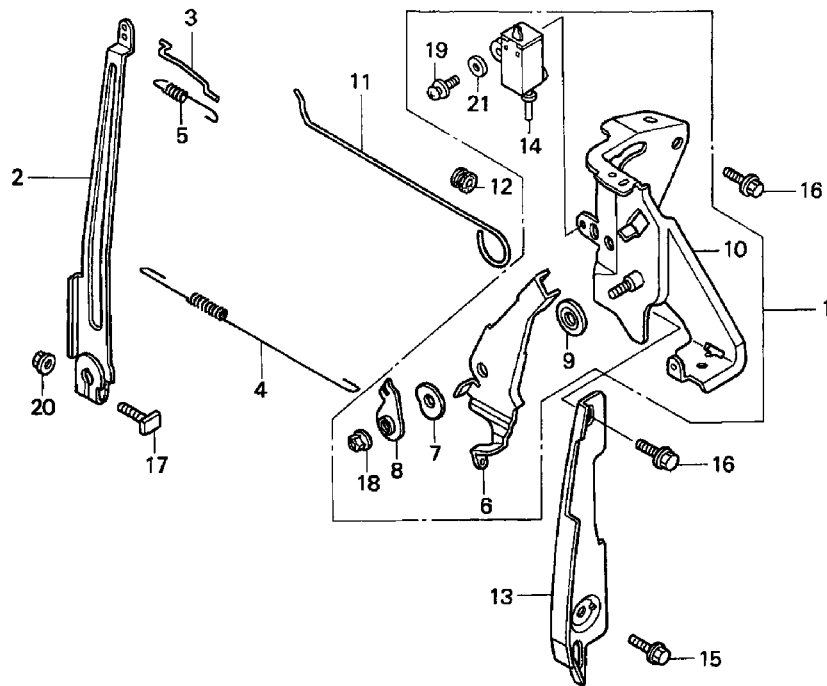
Ref.	Part Number	Description
19.	17703-ZL8-800	Fuel Return Tube
20.	17704-ZL8-800	Fuel Pump Tube
21.	80103-MG2-000	RR. Fender Rubber
22.	90041-ZL8-000	Stud Bolt
23.	90473-896-000	Washer, 8mm
24.	90501-KA2-640	Collar, 14 x 6.1
25.	93404-06025-00	Bolt-Washer, 6 x 25
26.	93894-05014-00	Screw-Washer, 5 x 14
27.	94050-06000	Flange Nut, 6mm
28.	95001-55003-60M	Fuel Bulk Hose
29.	95002-02080	Tube Clip, B8
30.	95002-02100	Tube Clip, B10
31.	95002-50000	Tube Clip, C9
32.	95002-70000	Tube Clip, C-11

RT 65 Honda GC190A Flywheel



Ref.	Part Number	Description
1.	13331-357-000	Special Woodruff Key, 25 x 18
2.	30500-Z0J-003	Ignition Coil Assembly
3.	31110-Z0J-013	Flywheel
5.	32195-Z0J-000	Stop Switch Wire
6.	36103-ZE1-000	Stop Switch Wire Holder
8.	90022-888-010	Flange Bolt, 6 x 20
9.	90213-S3Y-000	Flange Nut, 14mm

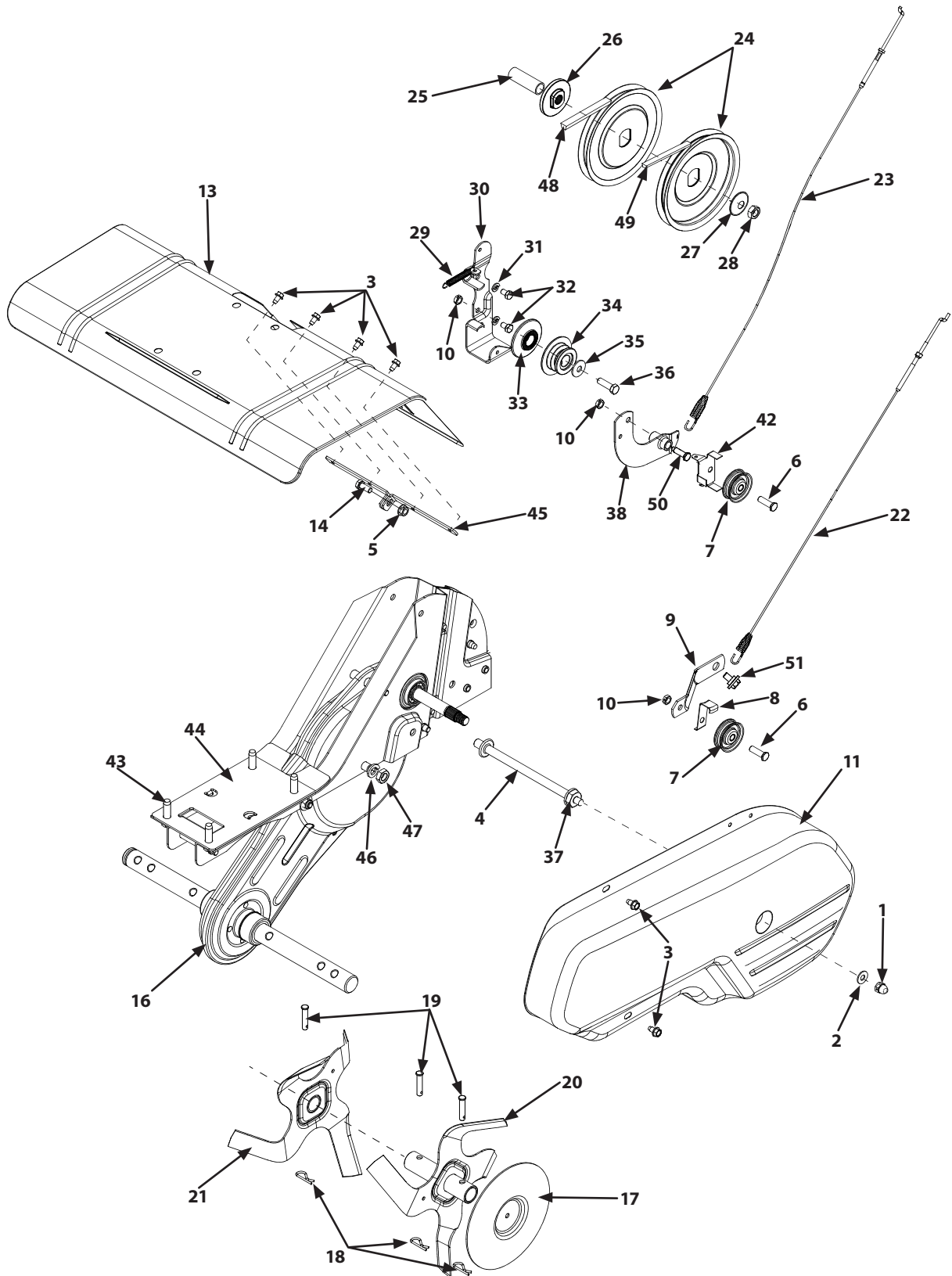
RT 65 Honda GC190A Controls



Ref.	Part Number	Description
1.	16500-ZL8-000	Control Assembly
2.	16551-ZL8-000	Governor Arm
3.	16555-ZL8-000	Governor Rod
4.	16561-ZOJ-000	Governor Spring
5.	16562-ZL8-800	Throttle Return Spring
6.	16571-ZL8-000	Control Lever
7.	16574-ZE1-000	Lever Spring
8.	16575-ZL8-000	Control Lever Washer
9.	16578-ZE1-000	Control Lever Spacer
10.	16580-ZL8-000	Control Base
11.	16611-ZL8-000	Choke Control Rod

Ref.	Part Number	Description
12.	16613-893-000	Choke Rod Grommet
13.	19612-ZL8-000	Side Plate
14.	35120-ZL8-003	Engine Stop Switch Assembly
15.	90013-883-000	Flange Bolt, 6 x 12
16.	90014-952-000	Flange Bolt, 6 x 14
17.	90015-ZE5-010	Governor Arm Bolt
18.	90114-SA0-000	Self-lock Nut, 6mm
19.	93892-04012-00	Screw-Washer, 4 x 12
20.	94050-06000	Flange Nut, 6mm
21.	94103-04000	Plain Washer, 4mm

FT 24 Tine Assembly & Drive System

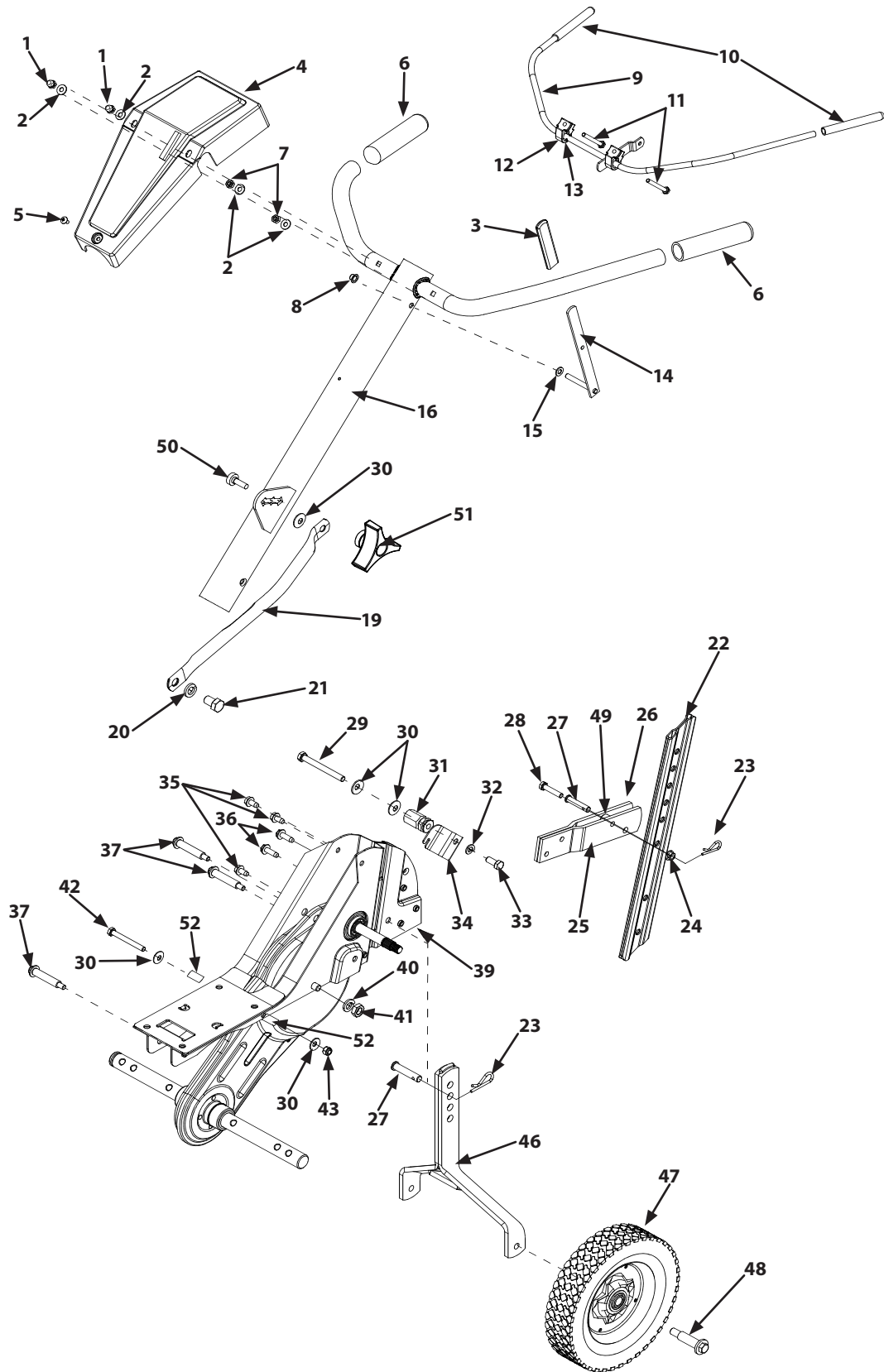


FT 24 Tine Assembly & Drive System

Ref.	Part Number	Description
1.	712-0392	Hex L-Stop Nut, 1/4-28
2.	936-3020	Flat Washer, .266" I.D. x.625" O.D.
3.	710-0599	Hex Washer TT-Tap Screw, 1/4-20 x.5
4.	711-0920	Belt Cover Bolt
5.	712-04063	Hex Flange Top L-Nut, 5/16-18
6.	710-0723	Hex Head Screw, 3/8-16 x 1.25" Lg.
7.	756-0313	Flat Idler Pulley, 2.12" O.D.
8.	786-0149	Idler Belt Keeper
9.	786-0144	Idler Bracket
10.	912-0266	Hex Cent. Jam Nut, 3/8-16 Thd.
11.	786-0057-4021	Belt Cover
13.	786-0043A-4021	Tine Shield
14.	710-3008	Hex Head Cap Screw, 5/16-18 x.75 Lg
16.	986-0091	Chain Case Assembly Complete
17.	686-0106-0637	Outer Disc Plate Assembly
18.	914-0149B	Internal Cotter Pin
19.	911-0415	Clevis Pin
20.	642-0023-0637	Outer Tine Assembly L.H.
—	642-0024-0637	Outer Tine Assembly R.H.
21.	642-0003-0637	Inner Tine Assembly L.H.
—	642-0002-0637	Inner Tine Assembly R.H.
22.	946-0918	Forward Clutch Cable
23.	746-0953	Reverse Clutch Cable
24.	756-0585	Fl-Pulley, 6" Dia.

Ref.	Part Number	Description
25.	950-0892	Spacer, .64" Dia. x 2.4" Lg.
26.	948-0350	Pulley Mounting Adapter
27.	736-0112	Bell-Wash, .525" I.D. x 1.5" O.D.
28.	712-3029	Hex Jam Nut, 1/2-20 Thd.
29.	732-0697	Return Spring
30.	786-0040B-0637	Reverse Bracket
31.	936-0119	Lock Washer, 5/16
32.	710-0237	Hex Bolt, 5/16-24 x.625"
33.	756-0971	Engine Inner Half Pulley
34.	756-0600	Reverse Engine Pulley
35.	736-0242	Bell Washer, .396 x 1.140 x .095
36.	710-0627	Hex Screw, 5/16 - 24
37.	712-3004A	Flangelock Nut, 5/16-18
38.	686-0013	Reverse Arm Assembly
42.	786-0041-0637	Reverse Belt Keeper
43.	710-0502A	Hex L-Washer TT-Tap, 3/8-16 x 1.25"
44.	786-0145A-4021	Engine Plate
45.	786-0053-0637	Tine Shield Bracket
46.	936-0171	L-Washer, 7/16" I.D.
47.	912-0240	Hex Nut, 7/16-20 Thd.
48.	954-0428	V-Belt (Forward), 1/2 x 41.9"
49.	954-0429	V-Belt (Reverse), 3/8 x 45.68"
50.	938-0102	Shoulder Screw, .498 x 1.445
51.	738-0930	Shoulder Screw, .560 x.165

FT 24 Handle & Depth Stake Set-Up

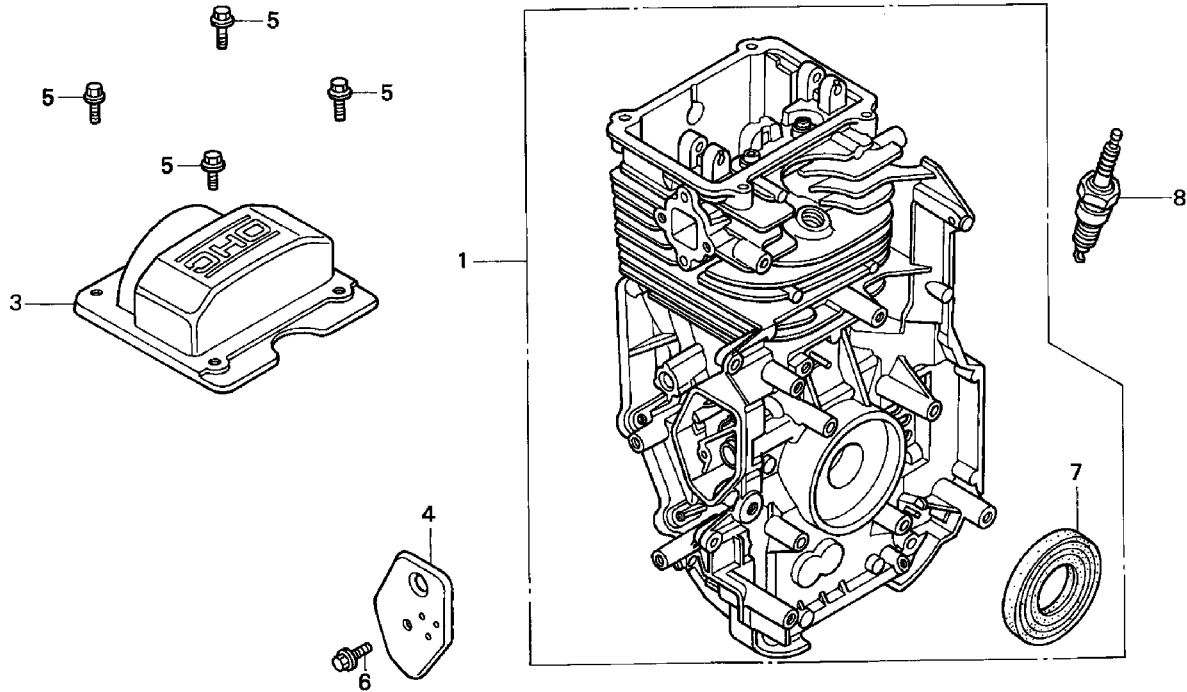


FT 24 Handle & Depth Stake Set-Up

Ref.	Part Number	Description
1.	912-0442	Acorn Lock Nut, ¼-20
2.	936-3020	Flat Washer, .271" I.D. x .630" O.D.
3.	720-0270A	Reverse Handle Grip
4.	731-1600	Handle Cover w/o throttle
5.	710-0779A	Truss Mach. Screw, #10 x ½" Lg.
6.	720-0274	Handle Grip
7.	712-3006	Hex Nut, ¼-20 Gr. 2
8.	726-0135	Cap Speed Nut
9.	686-0083-0637	Clutch Handle Assembly
10.	720-0269	Clutch Grip
11.	710-0641	Hex Bolt, ¼-20 x 2.25" Lg. Gr. 5
12.	931-1645A	Clutch Handle Holder
13.	936-0140	Flat Washer, .385" I.D. x .62" O.D.
14.	686-0014A-0637	Reverse Handle Assembly
15.	936-0264	Flat Washer, .344" I.D. x .62" O.D.
16.	649-04040-4021	Handle Assembly Comp.
19.	749-1401A-4021	Handle Brace
20.	936-0921	Lock Washer, ½"
21.	710-3194	Hex Bolt, ½-20 Gr. 5
22.	786-0005-0637	Depth Bar
23.	914-0149B	Cotter Pin
24.	712-04063	Hex Flange L-Nut, ⅝-18 Thd. Gr. 5
25.	786-0003-0637	Tail Piece Bracket, Left
26.	786-0004-0637	Tail Piece Bracket, Right

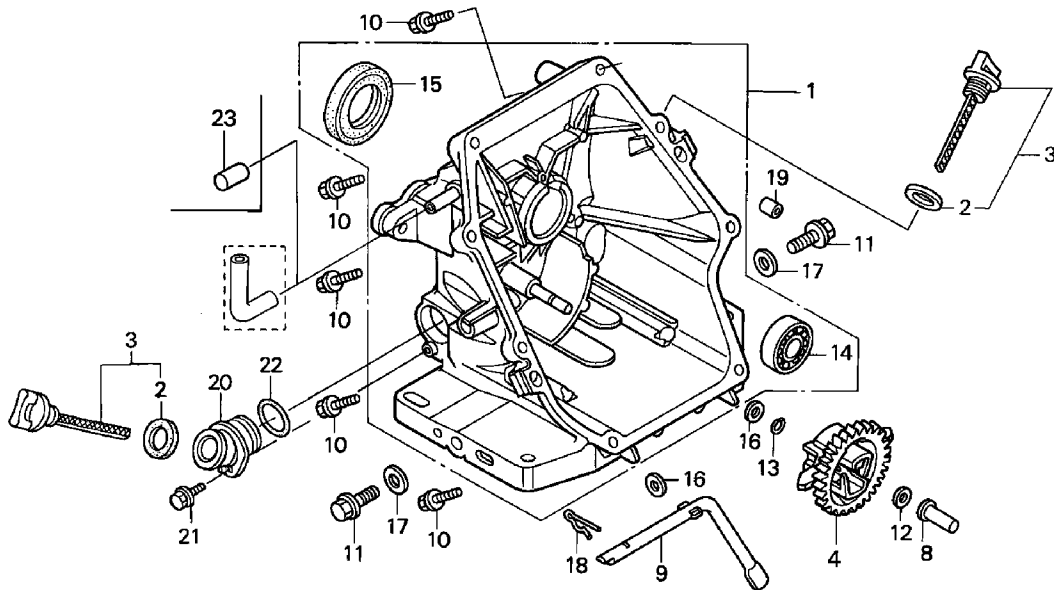
Ref.	Part Number	Description
27.	911-0415	Clevis Pin
28.	710-0805	Hex Bolt, ⅝-18 x 1.5" Lg.
29.	710-0189	Hex Bolt, ⅝-18 x 3" Lg.
30.	736-0242	Washer Bell, .340" I.D. x .872" O.D.
31.	711-1036A	Spec. Hex Nut
32.	936-0119	L-Washer, ⅝" I.D.
33.	710-3008	Hex Bolt, ⅝-18 Gr. 5
34.	786-0129-0637	Cable Guide Bracket
35.	710-0604A	Hex Washer Screw, ⅝-18 x .62" Lg.
36.	710-0602	Hex Washer Hd. TT-Tap Screw
37.	738-0934	Shoulder Bolt, ⅝-18
38.	786-0138A-4021	Frame (R.H.)
39.	786-0139A-4021	Frame (L.H.)
40.	936-0171	Lock Washer, ⅞
41.	912-0240	Jam Nut, ⅞-20 Gr. 2
42.	710-0176	Hex Bolt, ⅝-18 x 2.75" Lg.
43.	912-0429	Hex Nylon Nut, ⅝-18
46.	686-0081A-0637	Wheel Hanger Bracket Assembly
47.	734-1268	Wheel Assembly, 8" x 1.75" (Plastic)
48.	738-0929	Shldr. Screw, .496 I.D. x 1.445 O.D.
49.	750-0890	Spacer
50.	710-1236	Carriage Bolt, ⅝-18 x 1
51.	720-0195	Hand Knob
52.	750-0470	Spacer

FT 24 Honda GC160A Cylinder



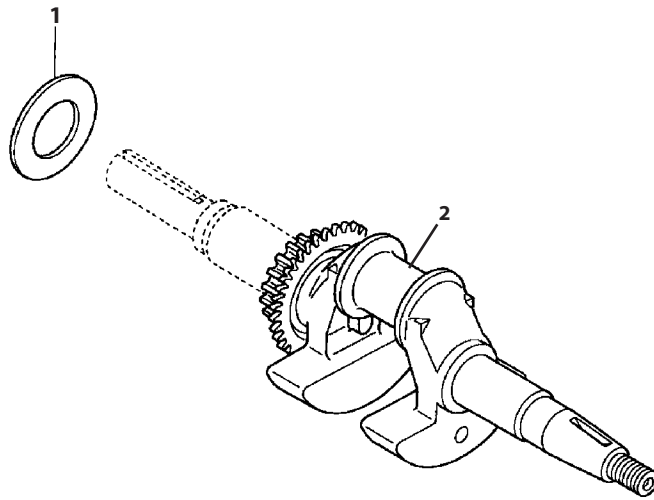
Ref.	Part Number	Description
1.	12000-ZL8-415	Cylinder Assembly, 010
3.	12311-ZL8-D00	Head Cover
4.	12355-ZL8-000	Breather Cover (Valve Assembly)
5.	90013-883-000	Flange Bolt, 6 x 12
6.	90014-952-000	Flange Bolt, 6 x 14
7.	91201-ZL8-003	Oil Seal, 25.4 x 62 x 6
8.	98079-56846	Spark Plug (BPR6ES NGK)

FT 24 Honda GC160A Crankcase Cover



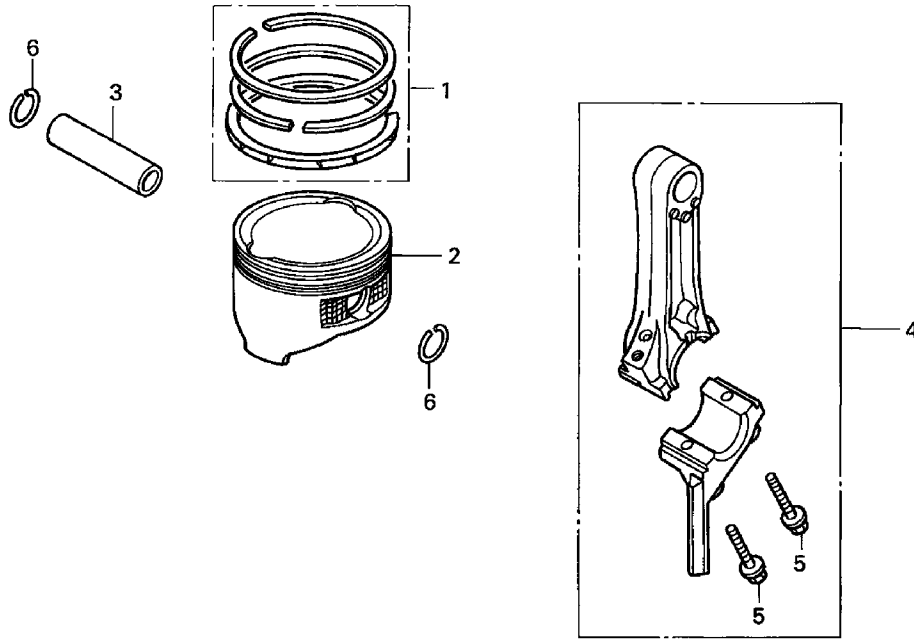
Ref.	Part Number	Description
1.	11300-ZL8-601	Crankcase Cover Assembly
2.	15625-ZE1-003	Oil Filler Gas Cap
3.	15650-ZL8-013	Oil Level Gauge Assembly
4.	16510-ZL8-000	Governor Assembly
8.	16531-ZE1-000	Governor Slider
9.	16541-ZL8-000	Governor Arm Shaft
10.	90121-952-000	Flange Bolt, 6 x 25
11.	90131-896-650	Drain Plug Bolt
12.	90451-ZE1-000	Thrust Washer, 6mm
13.	90602-ZE1-000	Governor Holder Clip
15.	91202-ZL8-003	Oil Seal, 28 x 41.25 x 6
16.	94101-06800	Plain Washer, 6mm
17.	94109-12000	Drain Plug Washer, 12mm
18.	94251-08000	Lock Pin, 8mm
19.	94301-08200	Dowel Pin, 8 x 20

FT 24 Honda GC160A Crankshaft



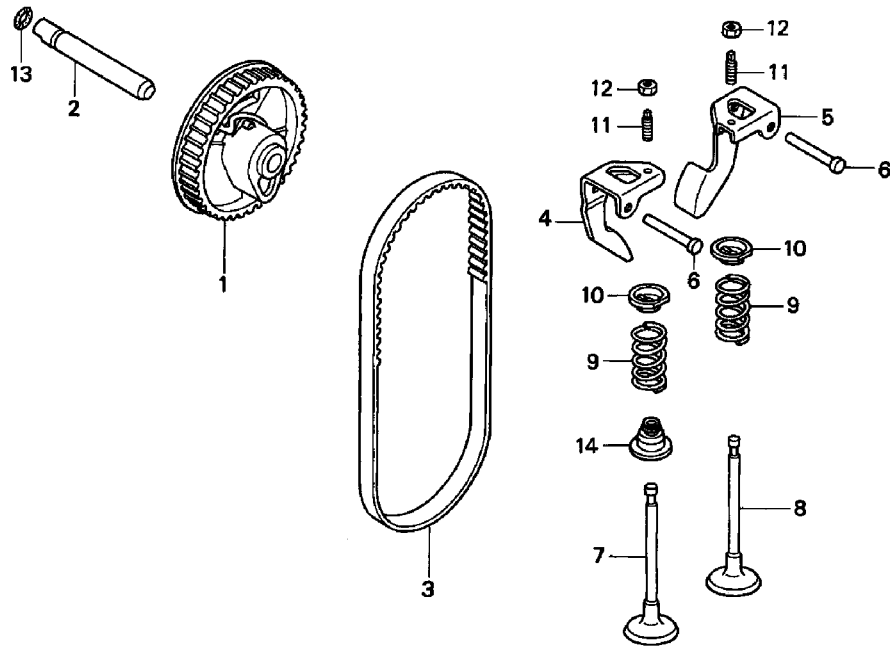
Ref.	Part Number	Description
1.	90402-ZL8-000	Thrust Washer
2.	13310-Z0J-660	Crankshaft

FT 24 Honda GC160A Piston



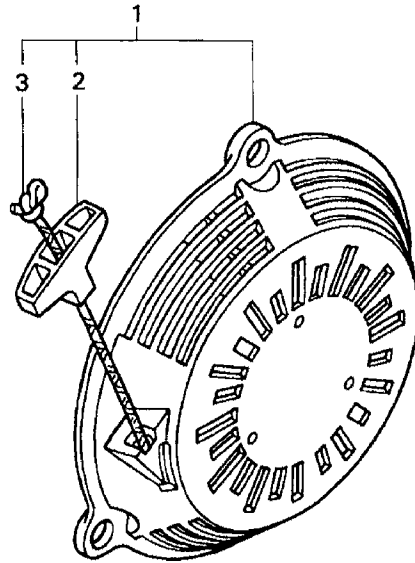
Ref.	Part Number	Description
1.	13010-ZL8-003	Piston Ring Set, Riken
—	13010-ZL8-024	Piston Ring Set, Teikoku
2.	13101-ZL8-000	Piston
3.	13111-ZE0-000	Piston Pin
4.	13200-ZL8-000	Connecting Rod Assembly
5.	90001-ZE1-000	Connecting Rod Bolt
6.	90551-ZE0-000	Piston Pin Clip, 13mm

FT 24 Honda GC160A Camshaft



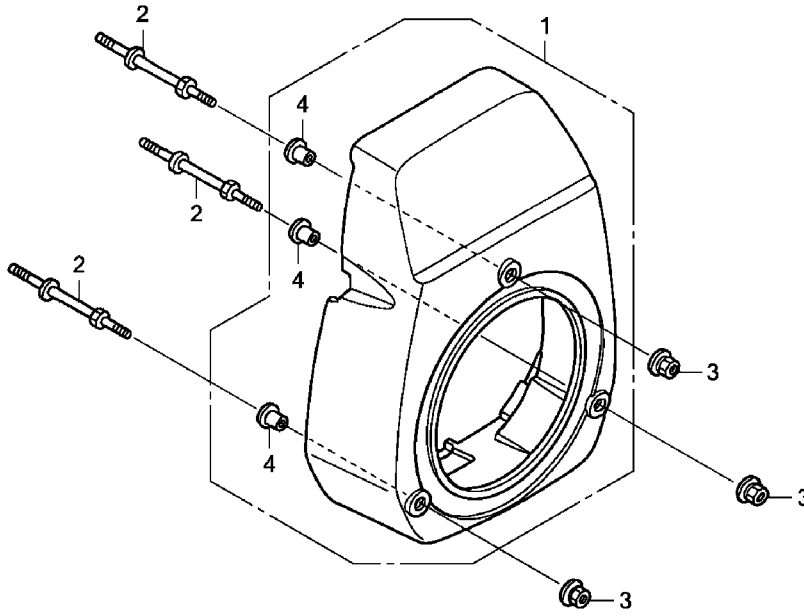
Ref.	Part Number	Description
1.	14320-ZL8-010	Camshaft Pulley
2.	14324-ZL8-000	Cam Pulley Shaft
3.	14400-Z0J-014	Timing Belt, 84HU7 G-200
4.	14431-Z0J-000	Internal Valve Rocker Arm
5.	14441-ZL8-000	External Valve Rocker Arm
—	14441-Z0J-000	External Valve Rocker Arm
6.	14461-ZL8-000	Rocker Arm Shaft
7.	14711-Z0J-000	Internal Valve
8.	14721-ZL8-000	External Valve
9.	14751-ZL8-000	Valve Spring
10.	14771-ZE1-000	Internal Valve Spring Retainer
11.	90012-333-000	Tappet Adjustable Screw
12.	90206-001-000	Tappet Adjutable Nut
13.	91301-ZM0-V31	O-Ring, 6.8 x 1.9
14.	12209-ZM0-003	Valve Stem Seal

FT 24 Honda GC160A Recoil Starter



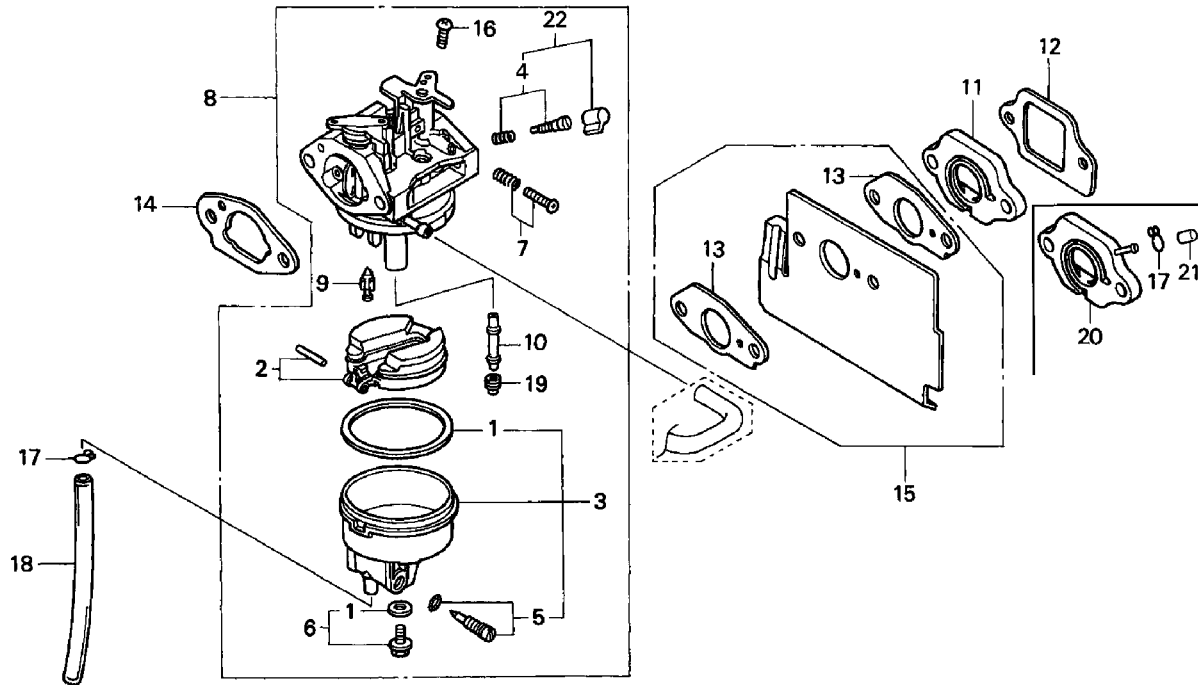
Ref.	Part Number	Description
1.	28400-ZL8-023ZA	Recoil Starter Assembly (Black)
2.	28461-ZL8-003	Recoil Starter Knob
3.	28462-ZL8-003	Recoil Starter Rope, #3.5 x 52

FT 24 Honda GC160A Fan Cover



Ref.	Part Number	Description
1.	19611-ZL8-000ZA	Fan Cover (Black)
2.	90043-ZL8-000	Stud Bolt
3.	90201-ZM0-000	Flange Nut, 6mm
4.	19619-ZL8-300	Fan Cover Collar

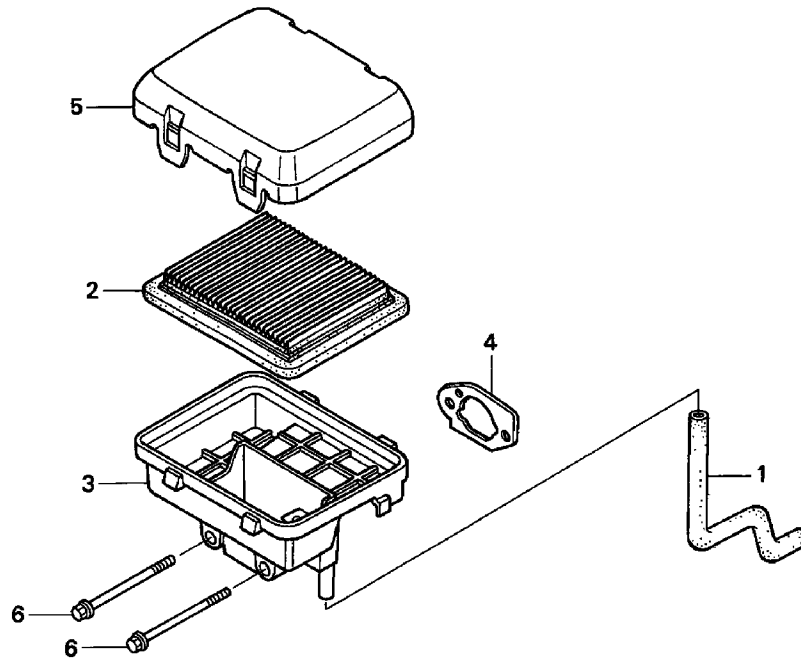
FT 24 Honda GC160A Carburetor



Ref.	Part Number	Description
1.	16010-883-015	Gasket Set
2.	16013-ZL1-003	Float Set
3.	16015-ZL8-003	Float Chamber Set
5.	16024-124-760	Drain Screw Set
6.	16028-ZE0-005	Screw Set B
7.	16029-ZG0-901	Screw Set
8.	16100-ZL8-802	Carberutor Assembly, BB61B C
—	16100-ZL8-803	Carberutor Assembly, BB61B D
9.	16155-ZL8-003	Float Valve, Carb. No. BB61B C
—	16155-ZL8-013	Float Valve, Carb. No. BB61B D
10.	16166-ZL8-003	Main Nozzle
11.	16211-ZL8-000	Carburetor Insulator

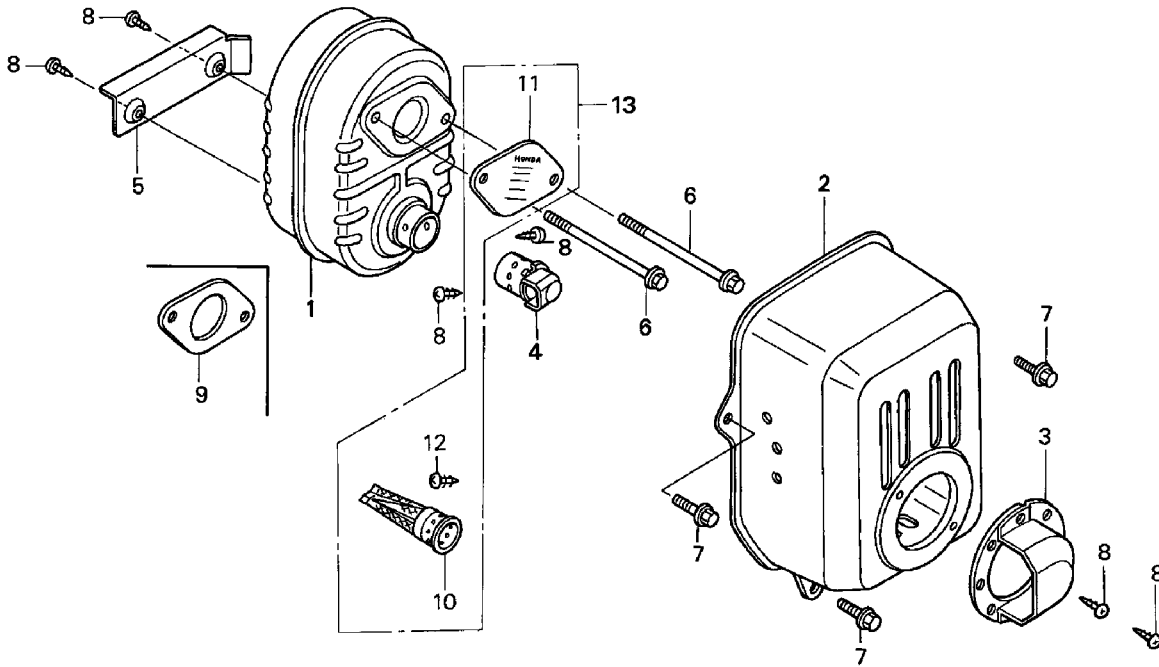
Ref.	Part Number	Description
12.	16212-ZL8-000	Insulator Gasket
13.	16221-883-800	Carburetor Gasket
14.	16228-ZL8-000	Carburetot Gasket, Choke Side
15.	19650-ZL8-000	Air Guide
16.	93500-05006-0H	Pan Screw, 5 x 6
17.	95002-02650	Tube Clip, B6.5
18.	95003-07008-60M	Vinyl Bulk Hose
19.	99101-124-0600	Main Jet, #60
—	99101-124-0620	Main Jet, #62
—	99101-124-0650	Main Jet, #65
22.	16016-ZG0-W00	Screw Set

FT 24 Honda GC160A Air Filter



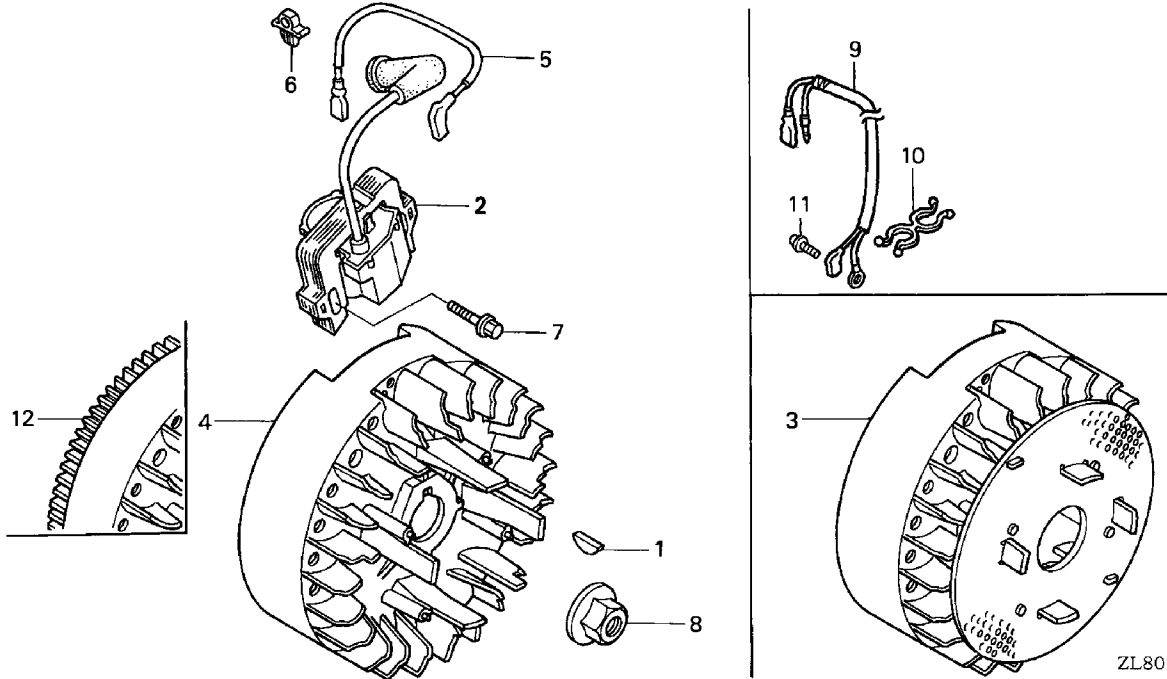
Ref.	Part Number	Description
1.	15721-ZL8-000	Breather Tube
2.	17211-ZL8-003	Air Cleaner Element
3.	17220-ZL8-000	Air Cleaner Housing
4.	17228-ZL8-000	Air Cleaner Gasket
5.	17231-Z0J-020	Air Cleaner Cover
6.	90003-ZL8-000	Flange Bolt, 6 x 112

FT 24 Honda GC160A Muffler



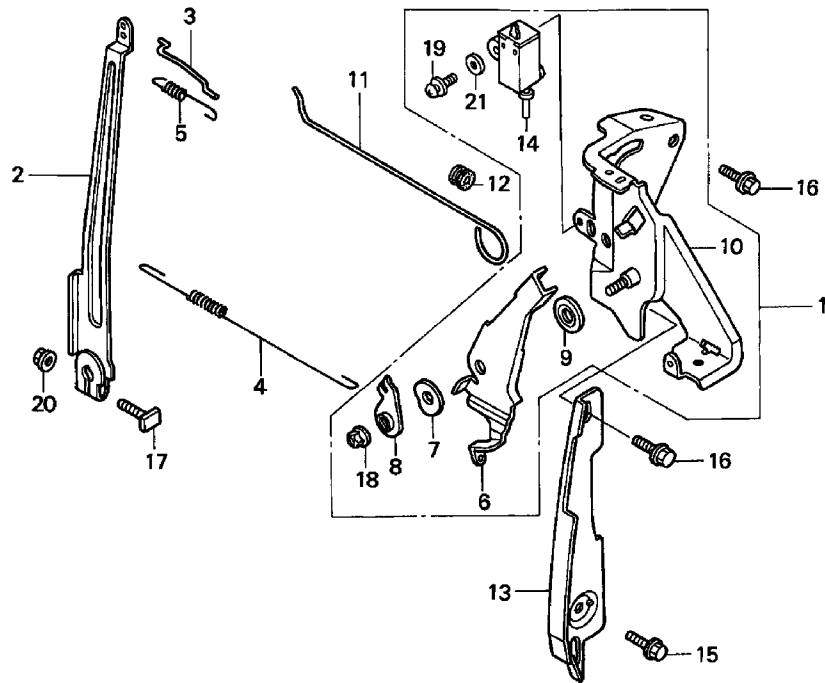
Ref.	Part Number	Description
1.	18310-ZL8-010	Muffler
2.	18321-ZL8-000	Muffler Protector
5.	19664-ZL8-000	Muffler Shroud
6.	90004-ZL8-000	Flange Bolt, 6 x 79
7.	90013-883-000	Flange Bolt, 6 x 12
8.	90055-ZE1-000	Tapping Screw, 4 x 6
9.	18381-ZL8-305	Muffler Gasket
10.	18350-ZL8-000	Spark Arrester
11.	18356-ZL8-000	Arrester Number Plate
12.	90055-ZE1-000	Tapping Screw, 4 x 6
13.	06180-ZOJ-000	Spark Arrester Kit

FT 24 Honda GC160A Flywheel



Ref.	Part Number	Description
1.	13331-357-000	Special Woodruff Key, 25 x 18
2.	30500-Z0J-003	Ignition Coil Assembly
4.	31110-Z0J-013	Flywheel
5.	32195-Z0J-000	Stop Switch Wire
6.	36103-ZE1-000	Stop Switch Wire Holder
7.	0022-888-010	Flange Bolt, 6 x 20
8.	90201-878-003	Special Nut, 14mm

FT 24 Honda GC160A Controls



Ref.	Part Number	Description
1.	16500-ZL8-000	Control Assembly
2.	16551-ZL8-000	Governor Arm
3.	16555-ZL8-000	Governor Rod
4.	16561-ZOJ-000	Governor Spring
5.	16562-ZL8-800	Throttle Return Spring
6.	16571-ZL8-000	Control Lever
7.	16574-ZE1-000	Lever Spring
8.	16575-ZL8-000	Control Lever Washer
9.	16578-ZE1-000	Control Lever Spacer
10.	16580-ZL8-000	Control Base
11.	16611-ZL8-000	Choke Control Rod

Ref.	Part Number	Description
12.	16613-893-000	Choke Rod Grommet
13.	19612-ZL8-000	Side Plate
14.	35120-ZL8-003	Engine Stop Assembly Switch
15.	90013-883-000	Flange Bolt, 6 x 12
16.	90014-952-000	Flange Bolt, 6 x 14
17.	90015-ZE5-010	Governor Arm Bolt
18.	90114-SA0-000	Self-Lock Nut, 6mm
19.	93892-04012-00	Screw-Washer, 4 x 12
20.	94050-06000	Flange Nut, 6mm
21.	94103-04000	Plain Washer, 4mm



To order replacement parts, call a Customer Support Representative at (800) 965-4CUB.
Locate your nearest Cub Cadet dealer at (877) 282-8684
or visit www.cubcadet.com to find the nearest Cub Cadet dealer in your area.

CUB CADET LLC, P.O. BOX 361131 CLEVELAND, OHIO 44136-0019
