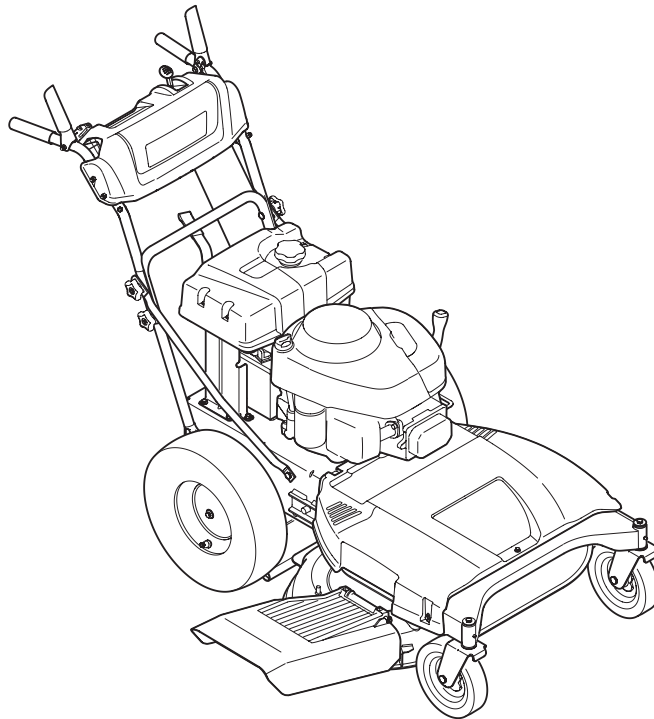


# *Cub Cadet*<sup>®</sup>

## OPERATOR'S MANUAL



### 33 Inch / Wide Cut Mower

#### **⚠ WARNING**

**READ AND FOLLOW ALL SAFETY RULES AND INSTRUCTIONS IN THIS MANUAL  
BEFORE ATTEMPTING TO OPERATE THIS MACHINE.  
FAILURE TO COMPLY WITH THESE INSTRUCTIONS MAY RESULT IN PERSONAL INJURY.**

---

CUB CADET LLC, P.O. BOX 361131 CLEVELAND, OHIO 44136-0019

---

## Thank You

Thank you for purchasing a Lawn Mower manufactured by Cub Cadet LLC. It was carefully engineered to provide excellent performance when properly operated and maintained.

Please read this entire manual prior to operating the equipment. It instructs you how to safely and easily set up, operate and maintain your machine. Please be sure that you, and any other persons who will operate the machine, carefully follow the recommended safety practices at all times. Failure to do so could result in personal injury or property damage.

All information in this manual is relative to the most recent product information available at the time of printing. Review this manual frequently to familiarize yourself with the machine, its features and operation. Please be aware that this Operator's Manual may cover a range of product specifications for various models. Characteristics and features discussed and/or illustrated in this manual may not be applicable to all models. Cub Cadet LLC reserves the right to change product specifications, designs and equipment without notice and without incurring obligation.

If you have any problems or questions concerning the machine, phone your local Cub Cadet dealer or contact us directly. Cub Cadet's Customer Support telephone numbers, website address and mailing address can be found on this page. We want to ensure your complete satisfaction at all times.

Throughout this manual, all references to *right* and *left* side of the machine are observed from the operating position

The engine manufacturer is responsible for all engine-related issues with regards to performance, power-rating, specifications, warranty and service. Please refer to the engine manufacturer's Owner's/Operator's Manual, packed separately with your machine, for more information.

## Table of Contents

<b>Safe Operation Practices .....</b>	<b>3</b>	<b>Maintenance &amp; Adjustment.....</b>	<b>18</b>
<b>Assembly &amp; Set-Up .....</b>	<b>9</b>	<b>Service .....</b>	<b>23</b>
<b>Controls &amp; Features.....</b>	<b>12</b>	<b>Troubleshooting .....</b>	<b>27</b>
<b>Operation.....</b>	<b>15</b>	<b>Warranty.....</b>	<b>Back Cover</b>

## Record Product Information

Before setting up and operating your new equipment, please locate the model plate on the equipment and record the information in the provided area to the right. You can locate the model plate on the surface of the frame, on the rear of the machine. This information will be necessary, should you seek technical support via our web site, Customer Support Department, or with a local authorized service dealer.

### MODEL NUMBER

--	--	--	--	--	--	--	--	--	--	--	--

### SERIAL NUMBER

--	--	--	--	--	--	--	--	--	--	--	--

## Customer Support

If you have difficulty assembling this product or have any questions regarding the controls, operation, or maintenance of this machine, you can seek help from the experts. Choose from the options below:

- ◇ Visit us on the web at [www.cubcadet.com](http://www.cubcadet.com)
- ◇ Call a Customer Support Representative at (800) 965-4CUB
- ◇ Locate your nearest Cub Cadet Dealer at (877) 282-8684
- ◇ Write us at Cub Cadet LLC • P.O. Box 361131 • Cleveland, OH • 44136-0019



**WARNING:** This symbol points out important safety instructions which, if not followed, could endanger the personal safety and/or property of yourself and others. Read and follow all instructions in this manual before attempting to operate this machine. Failure to comply with these instructions may result in personal injury.

When you see this symbol. **HEED ITS WARNING!**

## CALIFORNIA PROPOSITION 65



**WARNING:** Engine Exhaust, some of its constituents, and certain vehicle components contain or emit chemicals known to State of California to cause cancer and birth defects or other reproductive harm.



**WARNING:** Battery posts, terminals, and related accessories contain lead and lead compounds, chemicals known to the State of California to cause cancer and reproductive harm. *Wash hands after handling.*



**DANGER:** This machine was built to be operated according to the safe operation practices in this manual. As with any type of power equipment, carelessness or error on the part of the operator can result in serious injury. This machine is capable of amputating fingers, hands, toes and feet and throwing objects. Failure to observe the following safety instructions could result in serious injury or death.

## General Operation

1. Read this operator's manual carefully in its entirety before attempting to assemble this machine. Read, understand, and follow all instructions on the machine and in the manuals) before operation. Keep this manual in a safe place for future and regular reference and for ordering replacement parts
2. Be completely familiar with the controls and the proper use of this machine before operating it.
3. This machine is a precision piece of power equipment, not a plaything. Therefore, exercise extreme caution at all times. This machine has been designed to perform one job: to mow grass. Do not use it for any other purpose.
4. Never allow children under 14 years of age to operate this machine. Children 14 and over should read and understand the instructions and safe operation practices in this manual and on the machine and should be trained and supervised by an adult.
5. Only responsible individuals who are familiar with these rules of safe operation should be allowed to use this machine.
6. Thoroughly inspect the area where the equipment is to be used. Remove all stones, sticks, wire, bones, toys and other foreign objects, which could be tripped over or picked up and thrown by the blade. Thrown objects can cause serious personal injury.
7. Plan your mowing pattern to avoid discharge of material toward roads, sidewalks, bystanders and the like. Also, avoid discharging material against a wall or obstruction, which may cause discharged material to ricochet back toward the operator.
8. To help avoid blade contact or a thrown object injury, stay in operator zone behind handles and keep children, bystanders, helpers and pets at least 75 feet from mower while it is in operation. Stop machine if anyone enters area.
9. Always wear safety glasses or safety goggles during operation and while performing an adjustment or repair to protect your eyes. Thrown objects which ricochet can cause serious injury to the eyes.
10. Wear sturdy, rough-soled work shoes and close-fitting slacks and shirts. Shirts and pants that cover the arms and legs and steel-toed shoes are recommended. Never operate this machine in bare feet, sandals, slippery or light-weight (e.g. canvas) shoes.
11. Do not put hands or feet near rotating parts or under the cutting deck. Contact with blade can amputate fingers, hands, toes and feet.

12. A missing or damaged discharge cover can cause blade contact or thrown object injuries.
13. Many injuries occur as a result of the mower being pulled over the foot during a fall caused by slipping or tripping. Do not hold on to the mower if you are falling; release the handle immediately.
14. Never pull the mower back toward you while you are walking. If you must back the mower away from a wall or obstruction first look down and behind to avoid tripping and then follow these steps:
  - a. Step back from mower to fully extend your arms.
  - b. Be sure you are well balanced with sure footing.
  - c. Pull the mower back slowly, no more than half way toward you.
  - d. Repeat these steps as needed.
15. Do not operate the mower while under the influence of alcohol or drugs.
16. Do not engage the self-propelled mechanism on machines so equipped while starting engine.
17. The blade control handle is a safety device. Never attempt to bypass its operation. Doing so makes the safety device inoperative and may result in personal injury through contact with the rotating blade. The blade control handle must operate easily in both directions and automatically return to the disengaged position when released.
18. Never operate the mower in wet grass. Always be sure of your footing. A slip and fall can cause serious personal injury. If you feel you are losing your footing, release the blade control handle immediately and the blade will stop rotating within three seconds.
19. Mow only in daylight or good artificial light. Walk, never run.
20. Stop the blade when crossing gravel drives, walks or roads.
21. If the equipment should start to vibrate abnormally, stop the engine and check immediately for the cause. Vibration is generally a warning of trouble.
22. Shut the engine off and wait until the blade comes to a complete stop before removing the grass catcher or unclogging the chute. The cutting blade continues to rotate for a few seconds after the blade control is released. Never place any part of the body in the blade area until you are sure the blade has stopped rotating.
23. Never operate mower without proper trail shield, discharge cover, grass catcher, blade control handle or other safety protective devices in place and working. Never operate mower with damaged safety devices. Failure to do so can result in personal injury.
24. Muffler and engine become hot and can cause a burn. Do not touch.
25. Never attempt to make a wheel or cutting height adjustment while the engine is running.
26. Only use parts and accessories made for this machine by the manufacturer. Failure to do so can result in personal injury.
27. When starting engine, pull cord slowly until resistance is felt, then pull rapidly. Rapid retraction of starter cord (kickback) will pull hand and arm toward engine faster than you can let go. Broken bones, fractures, bruises or sprains could result.
28. If situations occur which are not covered in this manual, use care and good judgement. Contact Customer Support for assistance or the name of the nearest service dealer.

## Slope Operation

Slopes are a major factor related to slip and fall accidents, which can result in severe injury. Operation on slopes requires extra caution. If you feel uneasy on a slope, do not mow it. For your safety, use the slope gauge included as part of this manual to measure slopes before operating this machine on a sloped or hilly area. If the slope is greater than 15 degrees, do not mow it.

### Do:

1. Mow across the face of slopes; never up and down. Exercise extreme caution when changing direction on slopes.
2. Watch for holes, ruts, rocks, hidden objects, or bumps which can cause you to slip or trip. Tall grass can hide obstacles.
3. Always be sure of your footing. A slip and fall can cause serious personal injury. If you feel you are losing your balance, release the blade control handle immediately and the blade will stop rotating within three (3) seconds.

### Do Not:

1. Do not mow near drop-offs, ditches or embankments, you could lose your footing or balance.
2. Do not mow slopes greater than 15 degrees as shown on the slope gauge.
3. Do not mow on wet grass. Unstable footing could cause slipping.

## Children

Tragic accidents can occur if the operator is not alert to the presence of children. Children are often attracted to the mower and the mowing activity. They do not understand the dangers. Never assume that children will remain where you last saw them.

1. Keep children out of the mowing area and under watchful care of a responsible adult other than the operator.
2. Be alert and turn mower off if a child enters the area.
3. Before and while moving backwards, look behind and down for small children.
4. Use extreme care when approaching blind corners, doorways, shrubs, trees, or other objects that may obscure your vision of a child who may run into the mower.
5. Keep children away from hot or running engines. They can suffer burns from a hot muffler.
6. Never allow children under 14 years of age to operate this machine. Children 14 and over should read and understand the instructions and safe operation practices in this manual and on the machine and be trained and supervised by an adult.

## Service

### Safe Handling Of Gasoline:

1. To avoid personal injury or property damage use extreme care in handling gasoline. Gasoline is extremely flammable and the vapors are explosive. Serious personal injury can occur when gasoline is spilled on yourself or your clothes, which can ignite. Wash your skin and change clothes immediately.
2. Use only an approved gasoline container.
3. Never fill containers inside a vehicle or on a truck or trailer bed with a plastic liner. Always place containers on the ground away from your vehicle before filling.
4. Remove gas-powered equipment from the truck or trailer and refuel it on the ground. If this is not possible, then refuel such equipment on a trailer with a portable container, rather than from a gasoline dispenser nozzle.
5. Keep the nozzle in contact with the rim of the fuel tank or container opening at all times until fueling is complete. Do not use a nozzle lock-open device.
6. Extinguish all cigarettes, cigars, pipes and other sources of ignition.
7. Never fuel machine indoors because flammable vapors will accumulate in the area.
8. Never remove gas cap or add fuel while engine is hot or running. Allow engine to cool at least two minutes before refueling.
9. Never over fill fuel tank. Fill tank to no more than 1 inch below bottom of filler neck to provide for fuel expansion.
10. Replace gasoline cap and tighten securely.
11. If gasoline is spilled, wipe it off the engine and equipment. Move machine to another area. Wait 5 minutes before starting engine.
12. Never store the machine or fuel container near an open flame, spark or pilot light as on a water heater, space heater, furnace, clothes dryer or other gas appliances.
13. To reduce fire hazard, keep machine free of grass, leaves, or other debris build-up. Clean up oil or fuel spillage and remove any fuel soaked debris.
14. Allow machine to cool at least 5 minutes before storing.
3. Check the blade and engine mounting bolts at frequent intervals for proper tightness. Also, visually inspect blade for damage (e.g., bent, cracked, worn) Replace blade with the original equipment manufacturer's (O.E.M.) blade only, listed in this manual. "Use of parts which do not meet the original equipment specifications may lead to improper performance and compromise safety!"
4. Mower blades are sharp and can cut. Wrap the blade or wear gloves, and use extra caution when servicing them.
5. Keep all nuts, bolts, and screws tight to be sure the equipment is in safe working condition.
6. Never tamper with safety devices. Check their proper operation regularly.
7. After striking a foreign object, stop the engine, disconnect the spark plug wire and ground against the engine. Thoroughly inspect the mower for any damage. Repair the damage before starting and operating the mower.
8. Never attempt to make a wheel or cutting height adjustment while the engine is running.
9. Grass catcher components, discharge cover, and trail shield are subject to wear and damage which could expose moving parts or allow objects to be thrown. For safety protection, frequently check components and replace immediately with original equipment manufacturer's (O.E.M.) parts only, listed in this manual. "Use of parts which do not meet the original equipment specifications may lead to improper performance and compromise safety!"
10. Do not change the engine's governor setting or over-speed the engine. The governor controls the maximum safe operating speed of the engine.
11. Check fuel line, tank, cap, and fittings frequently for cracks or leaks. Replace if necessary.
12. Do not crank engine with spark plug removed.
13. Maintain or replace safety and instruction labels, as necessary.
14. Observe proper disposal laws and regulations. Improper disposal of fluids and materials can harm the environment.
15. According to the Consumer Products Safety Commission (CPSC) and the U.S. Environmental Protection Agency (EPA), this product has an *Average Useful Life* of seven (7) years, or 140 hours of operation. At the end of the *Average Useful Life* have the machine inspected annually by an authorized service dealer to ensure that all mechanical and safety systems are working properly and not worn excessively. Failure to do so can result in accidents, injuries or death.

### General Service:

1. Never run an engine indoors or in a poorly ventilated area. Engine exhaust contains carbon monoxide, an odorless and deadly gas.
2. Before cleaning, repairing, or inspecting, make certain the blade and all moving parts have stopped. Disconnect the spark plug wire and ground against the engine to prevent unintended starting.

### Do not modify engine

To avoid serious injury or death, do not modify engine in any way. Tampering with the governor setting can lead to a runaway engine and cause it to operate at unsafe speeds. Never tamper with factory setting of engine governor.

## Notice Regarding Emissions

Engines which are certified to comply with California and federal EPA emission regulations for SORE (Small Off Road Equipment) are certified to operate on regular unleaded gasoline, and may include the following emission control systems: Engine Modification (EM), Oxidizing Catalyst (OC), Secondary Air Injection (SAI) and Three Way Catalyst (TWC) if so equipped.

## Spark Arrestor












**WARNING:** This machine is equipped with an internal combustion engine and should not be used on or near any unimproved forest-covered, brush covered or grass-covered land unless the engine's exhaust system is equipped with a spark arrester meeting applicable local or state laws (if any).

If a spark arrester is used, it should be maintained in effective working order by the operator. In the State of California the above is required by law (Section 4442 of the California Public Resources Code). Other states may have similar laws. Federal laws apply on federal lands.

A spark arrester for the muffler is available through your nearest engine authorized service dealer or contact the service department, P.O. Box 361131 Cleveland, Ohio 44136-0019.

## Safety Symbols

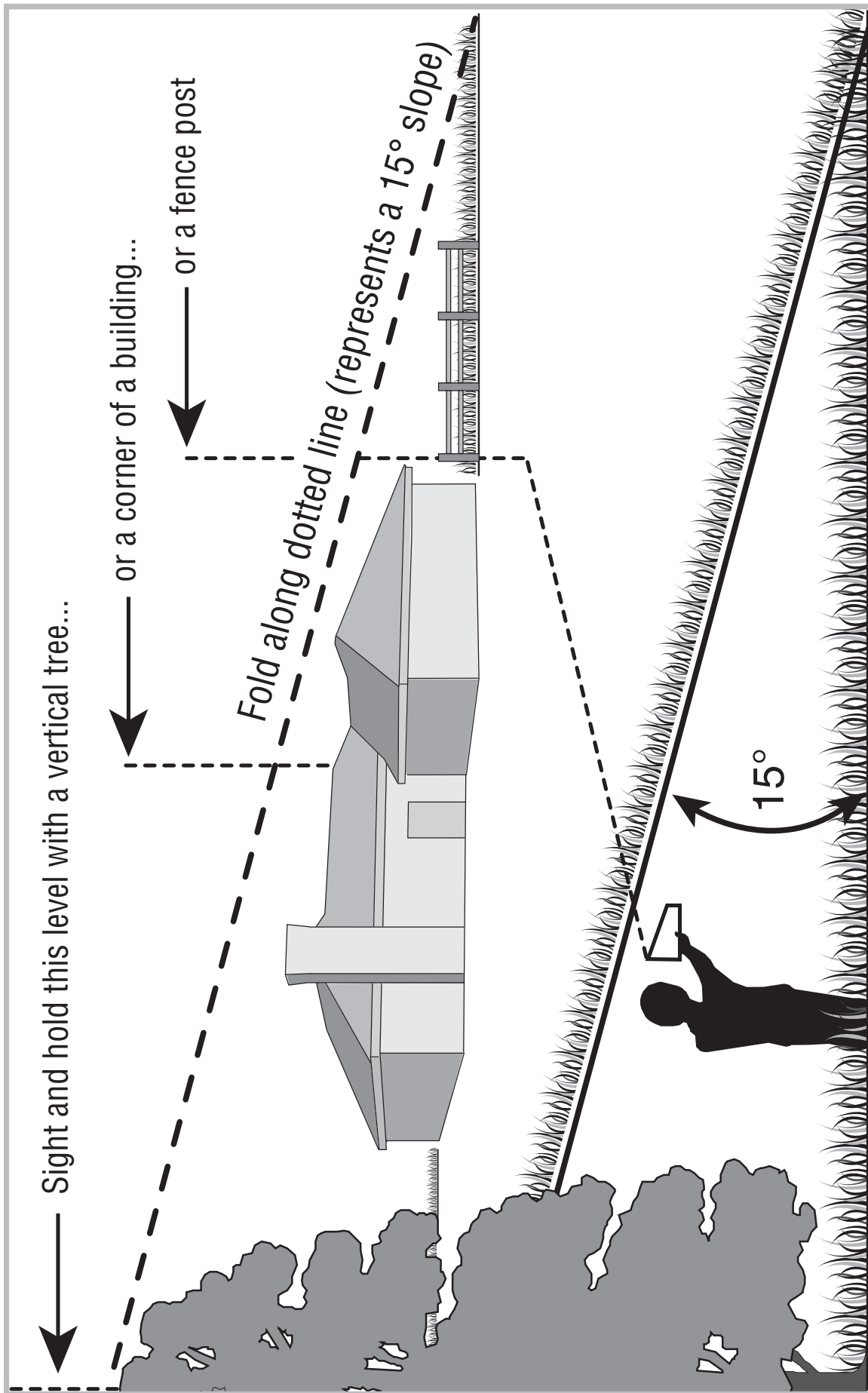
This page depicts and describes safety symbols that may appear on this product. Read, understand, and follow all instructions on the machine before attempting to assemble and operate.

Symbol	Description
	<b>READ THE OPERATOR'S MANUAL(S)</b> Read, understand, and follow all instructions in the manual(s) before attempting to assemble and operate.
	<b>DANGER — ROTATING BLADES</b> To reduce the risk of injury, keep hands and feet away. Do not operate unless discharge cover or grass catcher is in its proper place. If damaged, replace immediately.
	<b>DANGER — BYSTANDERS</b> Do not mow when children or others are around.
	<b>DANGER — HAND/ FOOT CUT</b> Keep hands and feet away from rotating parts.
	<b>DANGER — THROWN DEBRIS</b> Remove objects that can be thrown by the blade in any direction. Wear safety glasses.
	<b>DANGER — SLOPES</b> Use extra caution on slopes. Do not mow slopes greater than 15°.
	<b>WARNING—GASOLINE IS FLAMMABLE</b> Allow the engine to cool at least two minutes before refueling.
	<b>WARNING— CARBON MONOXIDE</b> Never run an engine indoors or in a poorly ventilated area. Engine exhaust contains carbon monoxide, an odorless and deadly gas.
	<b>WARNING— HOT SURFACE</b> Engine parts, especially the muffler, become extremely hot during operation. Allow engine and muffler to cool before touching.



**WARNING:** Your Responsibility—Restrict the use of this power machine to persons who read, understand and follow the warnings and instructions in this manual and on the machine.

**SAVE THESE INSTRUCTIONS!**



**Use this page as a guide to determine slopes where you may not operate safely.**



**WARNING:** Do not operate your lawn mower on such slopes. Do not mow on inclines with a slope in excess of 15 degrees (a rise of approximately 2-1/2 feet every 10 feet). A riding mower could overturn and cause serious injury. Operate riding mowers up and down slopes, never across the face of slopes. Operate walk-behind mowers across the face of slopes, never up and down slopes.



## Contents of Crate

- One Lawn Mower
- One Oil Drain Tube
- One Deck Wash Hose Coupler
- One Lawn Mower Operator's Manual
- One Briggs & Stratton Engine Operator's Manual

## Mower Set-Up

### Shipping Brace Removal



**WARNING!** Make sure the lawn mower's engine is off. Remove the ignition key before removing the shipping brace.

1. Locate the shipping brace, if present, found on the right side of the cutting deck. See Fig. 3-1.

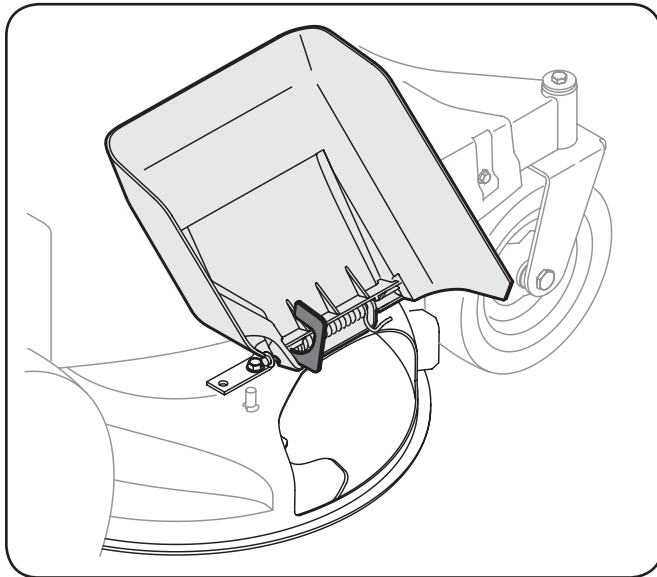


Figure 3-1

2. While holding the discharge chute with your left hand, remove the shipping brace with your right hand by grasping it between your thumb and index finger and rotating it clockwise.



**WARNING!** The shipping brace is used for packaging purposes only. Remove and discard the shipping brace before operating your lawn mower.



**WARNING!** The mowing deck is capable of throwing objects. Failure to operate the mower without the discharge cover in the proper operating position could result in serious personal injury and/or property damage.

### Attaching the Negative Battery Cable

**NOTE:** The positive battery terminal is marked Pos. (+). The negative battery terminal is marked Neg. (-).

The positive cable (heavy red wire) is secured to the positive battery terminal (+) with a hex bolt and hex nut at the factory.

The negative cable (heavy black wire) may be secured to the negative battery terminal at the factory. If it hasn't been attached, proceed as follows:

1. Remove the carriage bolt and hex nut from the negative cable (heavy black wire).
2. Remove the black plastic cover, if present, from the negative battery terminal and attach the negative cable to the negative battery terminal (-) with the bolt and hex nut. See Fig. 3-2.

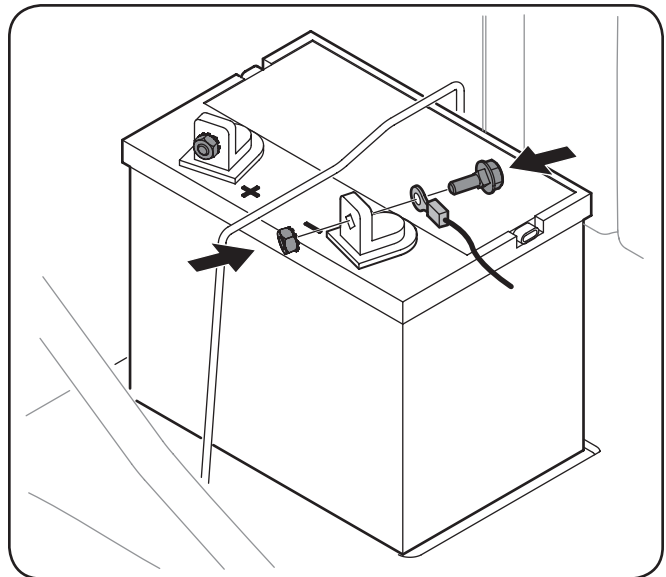


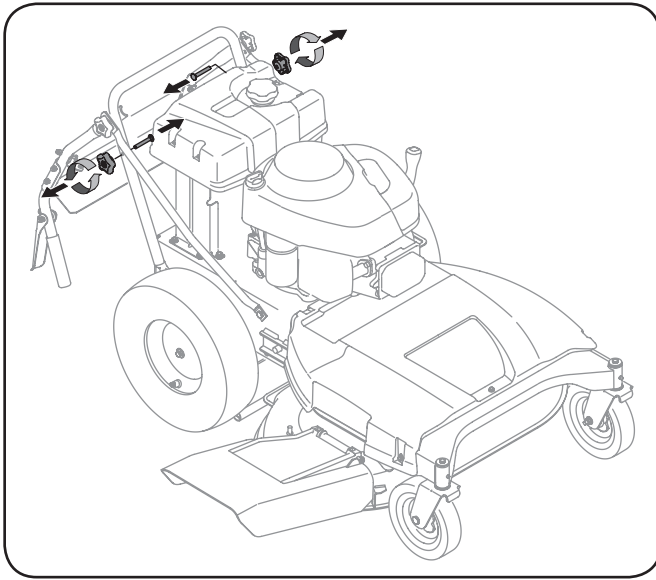
Figure 3-2

3. Make certain the hold-down rod is in position over the battery, securing it in place and make certain that the red rubber boot covers the positive battery terminal to help protect it from corrosion.

**NOTE:** If the battery is put into service after the date shown on top/side of battery, charge the battery as instructed in the Maintenance section of this manual prior to operating the mower.

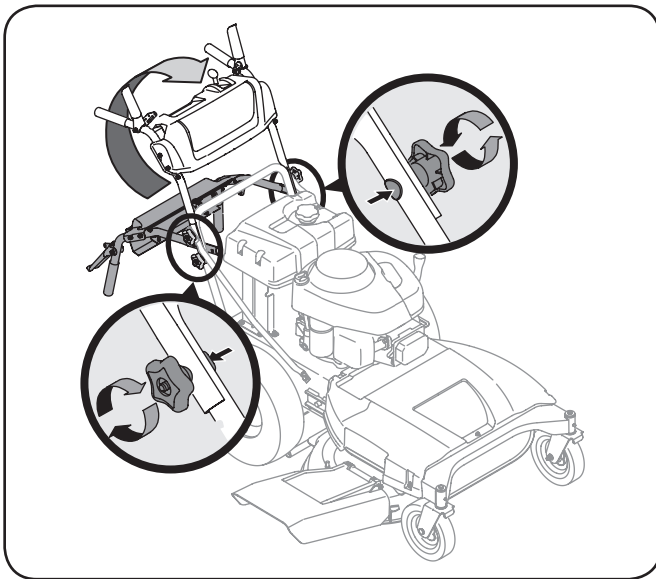
## Unfolding the Handle

1. Remove the star knobs and carriage screws from the lower handle. See Fig. 3-3.



**Figure 3-3**

2. Pivot the upper handle into operating position. Be careful not to crimp cables. See Fig. 3-4.

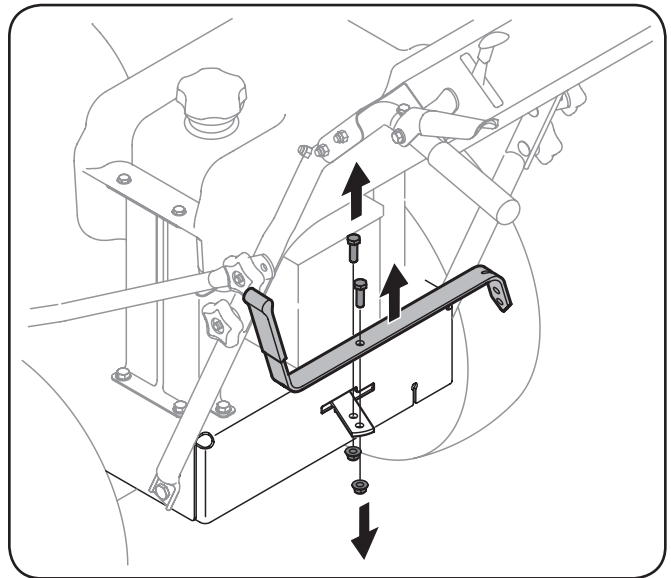


**Figure 3-4**

3. Reinstall the carriage screws and knobs removed earlier.
4. Tighten the upper and lower star knobs and carriage screws to secure the upper handle to the lower handle, See Fig. 3-4.
5. The handle height can be adjusted to any of three positions. For instructions, refer to Handle Height in the Maintenance and Adjustments section of this manual

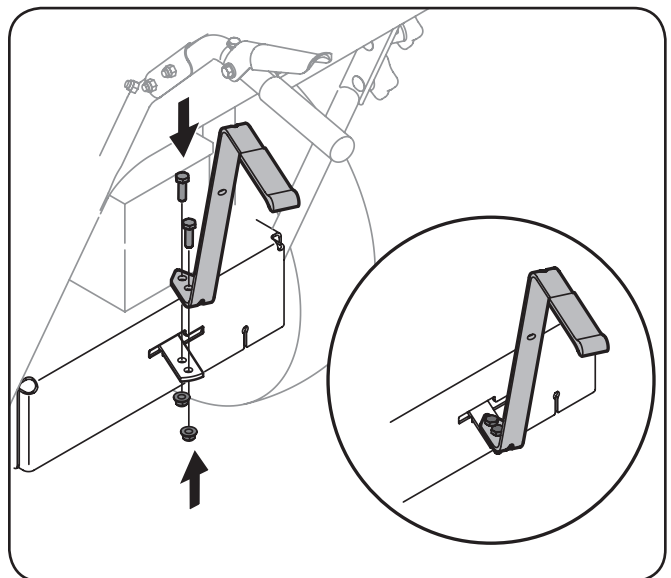
## Attaching the Shift Lever

1. Remove the screw and the lock nut that secures the shift lever to the shift lever plate. See Fig. 3-5.
2. Remove the remaining screw and nut from the lower shift lever plate. See Fig. 3-5.



**Figure 3-5**

3. Position the upper shift lever into a vertical position aligning the holes in the lever with the holes in the shift plate. See Fig. 3-6.



**Figure 3-6**

4. Secure the lever to the plate using the two screws and two nuts removed earlier. See Fig. 3-6 inset.

## Checking Tire Pressure



**WARNING!** Maximum tire pressure under any circumstances is 30 psi. Equal tire pressure should be maintained at all times.

The rear tires on your unit may be over-inflated for shipping purposes. Reduce the tire pressure before operating the mower. Recommended operating tire pressure is approximately 20 p.s.i. Check the sidewall of tire for maximum p.s.i..

## Gas and Oil

The fuel tank has a capacity of two gallons. Remove the fuel cap by turning it counterclockwise. Use only clean, fresh (no more than 30 days old), unleaded gasoline. Fill the tank no higher than four inches below the top of the filler neck to allow space for fuel expansion.



**WARNING!** Use extreme care when handling gasoline. Gasoline is extremely flammable and the vapors are explosive. Never fuel the machine indoors or while the engine is hot or running. Extinguish cigarettes, cigars, pipes and other sources of ignition.

**NOTE:** Your lawn mower is shipped with oil in the engine. However, you **MUST** check the oil level before operating.



**CAUTION:** Always check the engine oil level before each use as instructed in the *Briggs and Stratton* Owner's Manual. Add oil as necessary. Failure to do so may result in serious damage to your engine

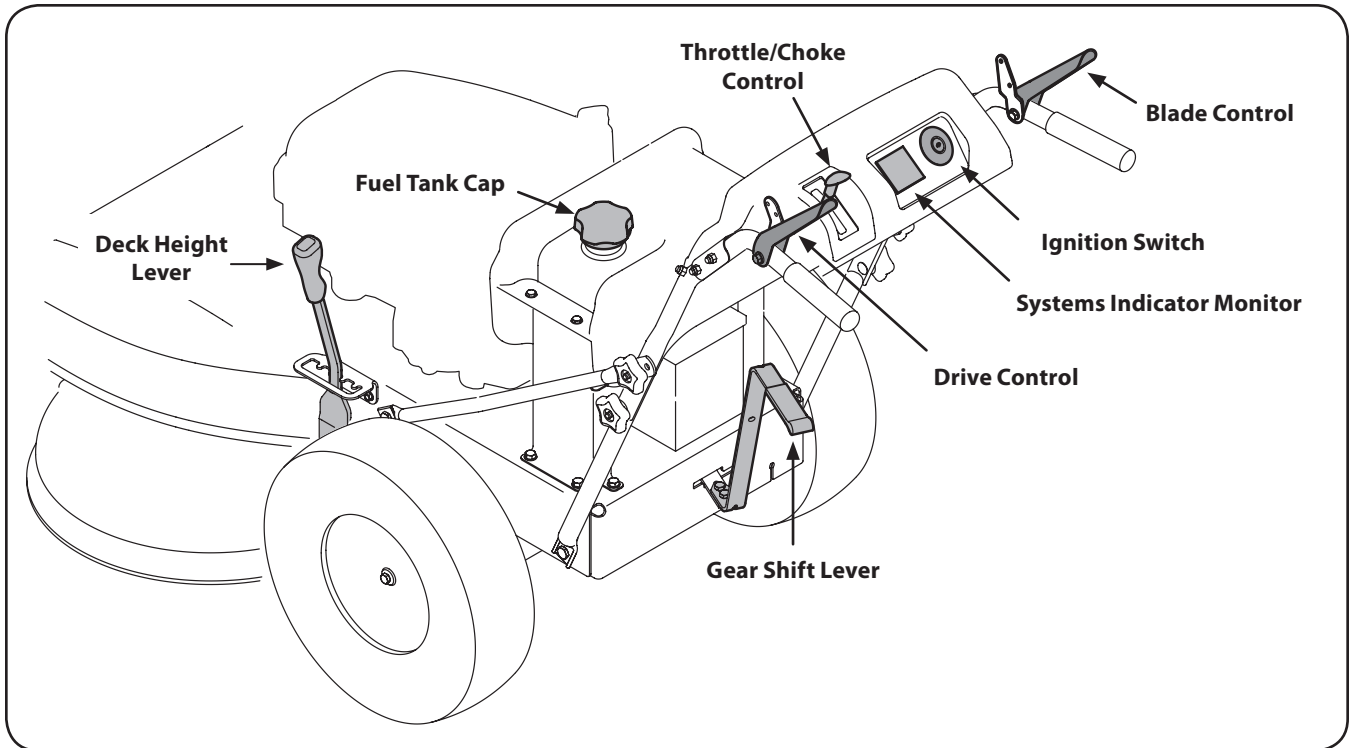


Figure 4-1

Lawn Mower controls and features are illustrated in Fig 4-1 and described on the following pages.



**WARNING!** Read and follow all safety rules and instructions in this manual, including the entire Operation section, before attempting to operate this machine. Failure to comply with all safety rules and instructions may result in personal injury.

## Throttle / Choke Control

**Note:** When operating the mower with the cutting deck engaged, be certain that the throttle/choke control is in the fast position.

The throttle / choke control is used to adjust engine speeds, to activate the engine choke and to stop the engine. Always run engine with the throttle / choke control lever in the fast position for best mower performance.

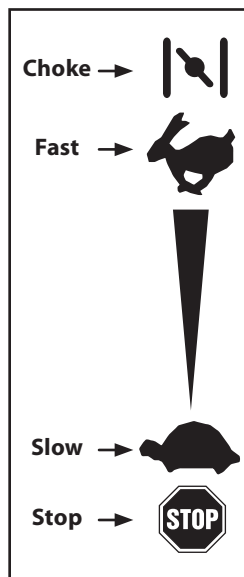
**Choke:** Use when starting a cold engine

**Fast:** Use during mower operation.

**Slow:** Use when idling engine.

**Stop:** Stops the engine.

Refer to Starting The Engine in the Operation section of this manual for detailed starting instructions.



## Engine

Refer to the Briggs & Stratton Owner's Manual for details regarding all engine-related controls and features.

## Deck Height Lever

Use this lever to adjust the mowing deck's cutting height. To use, move the lever to the left, then place the lever in the notch best suited for your application.



## Ignition Switch



**WARNING!** Never leave a running machine unattended. Always disengage blades, stop engine and remove key to prevent unintended starting.

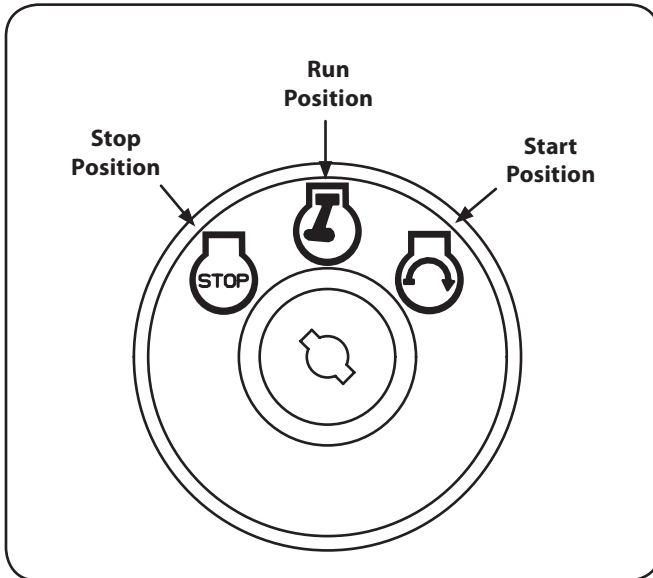


Figure 4-2

The three-position switch is used to start and stop the engine on electric-start models. To start the engine, insert the key into the ignition switch and turn clockwise to the **START** position. Release key into the **RUN** position once the engine has started. Turn the key to **STOP** to stop the engine.



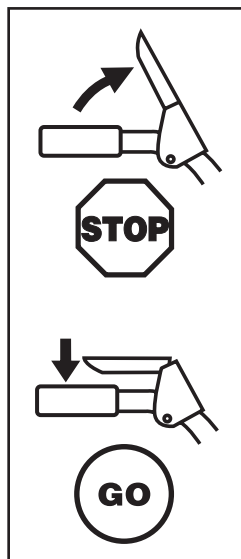
**CAUTION:** Never move the key into the Start position while the engine is running; doing so may cause damage to the engine's starter.

## Drive Control

The drive control is used to engage and disengage drive to the wheels. To engage this control, squeeze the drive control against the handlebar grip. To stop the drive, release the drive control.



**CAUTION:** Always release the drive control before changing speeds. Failure to do so may result in serious damage to your transanmission.



## Blade Control

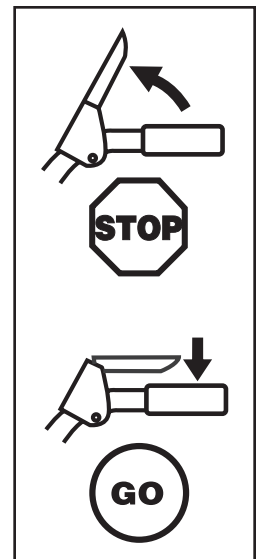
Located on the right-hand handle, the blade control is used to engage the mowing deck. To operate, press and hold the lever against the handlebar grip. To stop the blades, release the blade control.



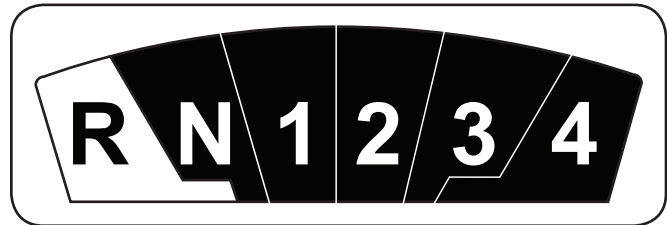
**WARNING!** Never attempt to start the engine with the blade control engaged.



**CAUTION:** Always release the blade control when starting the engine. Failure to do so may result in premature wear to your engine's electric starter.



## Gear Shift Lever



Use this lever to select any of four forward ground speeds, neutral, or reverse.

### Forward

Four forward speeds are available. Position one (1) is the slowest and position four (4) is the fastest.

### Reverse

To select reverse, put the lever in the Reverse (R) position.



**WARNING:** Look behind the mower before and during reverse operation. Stop the mower blades before operating in reverse.

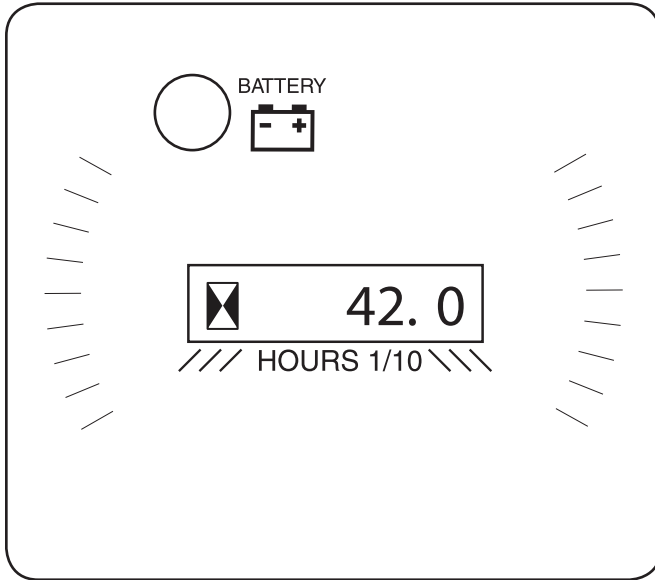
### Neutral

Place the lever in neutral (N) before starting the mower, and when the mower is not in use. In addition, the mower can be manually pushed or pulled by placing the gear shift lever into N (neutral) position and pressing the drive control against the handlebar grip.



**CAUTION:** Always release the drive control before changing speeds. Failure to do so may result in serious damage to your transanmission.

## Systems Indicator Monitor / Hour Meter



### LCD

When the ignition key is rotated out of the STOP position but not into the START position, the systems indicator monitor displays the battery's output, in volts, on its LCD for approximately five seconds, after which it displays an hour glass and the hours of mower operation. Once the engine is started, the monitor continually displays an hour glass and the hours of mower operation on its LCD.

**NOTE:** Hours of mower operation are recorded any time the ignition key is rotated out of the STOP position, regardless of whether the engine is started.

The Indicator Monitor will also remind the operator of maintenance intervals for changing the engine oil. The LCD will alternately flash the recorded hours, "CHG" and "OIL" for five minutes, after every 50 hours of recorded operation elapse. The maintenance interval lasts for two hours (from 50-52, 100-102, 150-152, etc.). The LCD will also flash as described above for five minutes every time the mower's engine has been started during this maintenance interval. Before the interval expires, change the engine oil as instructed in the Maintenance section of this Operator's Manual.

### Battery

It is normal for the Battery light to illuminate while the engine is cranking during start-up, but if it illuminates during operation, while the engine is running, the battery is in need of a charge or the engine's charging system is not generating sufficient amperage. Charge the battery as instructed in the Service section of this manual or have the charging system checked by your Cub Cadet dealer.

## Starting the Engine

Refer to the Set-Up and Assembly section of this manual for Gasoline and Oil fill-up instructions.

1. Release all controls on the mower.
2. Move the gear shift lever into the neutral (N) position.
3. Insert the key into the ignition switch.
4. If starting a cold engine, place the throttle/choke control all the way forward, into the CHOKE position. If restarting a warm engine, place the throttle/choke control into the Fast (rabbit) position..
5. Turn the ignition key clockwise to the START position. After the engine starts, release the key. It will return to the RUN position.



**CAUTION:** Do NOT hold the key in the START position for longer than five seconds at a time. Doing so may cause damage to your engine's electric starter.

6. Move the throttle/choke control into the Fast (rabbit) position.

**NOTE:** Never leave the throttle/choke control in the CHOKE while operating the mower. Doing so will result in a "rich" fuel mixture and cause the engine to run poorly.

## Stopping the Engine



**WARNING!** If you strike a foreign object, stop the engine and remove the ignition key. Thoroughly inspect the machine for any damage. Repair the damage before restarting and operating

1. If the blades are engaged, release the Blade Control.
2. Move the throttle/choke control into the STOP position
3. Turn the ignition key counterclockwise to the STOP position.
4. Remove the key from the ignition switch to prevent unintended starting

## Engaging the Drive



**WARNING!** Avoid sudden starts, excessive speed and sudden stops.

1. Start the engine as instructed earlier in this section and move the throttle/choke control into the FAST (rabbit) position.
2. To travel FORWARD:
  - a. Place the gear shift lever in any of the four forward ground speeds. Select a speed appropriate for the conditions and a pace you're comfortable with.
  - b. Slowly squeeze the Drive Control against the left handle grip and the mower will move. Release it and drive motion will stop.

To travel in REVERSE,

- a. Check that the area behind is clear.
- b. Place the gear shift lever in Reverse (R).
- c. Slowly squeeze the Drive Control against the left handle grip and the mower will move. Release it and drive motion will stop.



**CAUTION:** Do NOT attempt to change the direction of travel when the mower is in motion. Always release the drive control and bring the mower to a complete stop before repositioning the gear shift lever from a forward gear into Reverse. Failure to do so may result in serious damage to your transmission



**WARNING!** Do not leave the operator's position without first releasing the Blade Control. If leaving the mower unattended, also turn the engine off and remove the ignition key.

## Engaging the Blades



**WARNING!** To help avoid blade contact or a thrown object injury, keep bystanders, helpers, children and pets at least 75 feet from the machine while it is in operation. Stop machine if anyone enters the area.

1. Move the throttle/choke control to the FAST (rabbit) position.
2. Slowly squeeze the Blade Control against the right handle grip and the blades will engage. Release it and the blades will stop.

## Operating On Slopes

Refer to the SLOPE GAUGE on page 7 to help determine slopes where you may operate the mower safely.



**WARNING!** Do not mow on inclines with a slope in excess of 15 degrees (a rise of approximately 2-1/2 feet every 10 feet). The mower could overturn and cause serious injury.

- Mow across the face of slopes; never up and down.
- Exercise extreme caution when changing direction on slopes.
- Watch for holes, ruts, rocks, hidden objects, or bumps which can cause you to slip or trip. Tall grass can hide obstacles.
- Always be sure of your footing. A slip and fall can cause serious personal injury. If you feel you are losing your balance, release the blade control handle immediately and the blade will stop rotating within three (3) seconds:
- Do not mow near drop-offs, ditches or embankments, you could lose your footing or balance.
- Do not mow slopes greater than 15 degrees as shown on the slope gauge.
- Do not mow on wet grass. Unstable footing could cause slipping.

## Using the Deck Height Lever

To raise or lower the cutting deck, move the deck height lever to the left, then place it in the notch best suited for your application.

## Mowing

The following information will be helpful when operating your mower.



**WARNING!** Plan your mowing pattern to avoid discharge of materials toward roads, sidewalks, bystanders and the like. Also, avoid discharging material against a wall or obstruction which may cause discharged material to ricochet back toward the operator.

- Do not mow at fast ground speeds, especially if a mulch kit or grass collector is installed.
- Do not cut the grass too short. Short grass is prone to weed growth and yellows quickly in dry weather.
- Always operate the mower with the throttle/choke control in the FAST (rabbit) position while mowing
- For best results it is recommended that the first two laps be cut with the discharge thrown towards the center. After the first two laps, reverse the direction to throw the discharge to the outside for the balance of cutting. This will give a better appearance to the lawn.
- Do NOT attempt to mow heavy brush and weeds or extremely tall grass. Your mower is designed to mow lawns, NOT clear brush.
- Keep the blades sharp and replace the blades when worn.



**WARNING!** After striking a foreign object, stop the engine, disconnect the spark plug wire and ground against the engine. Thoroughly inspect the mower for any damage. Always inspect the blade timing belt as instructed in the Maintenance section of this manual. Repair the damage before starting and operating the mower

## Mulching

The Cub Cadet Wide Cut mower is equipped with a mulch kit which incorporates special blades, already standard on your mower, in a process of recirculating grass clippings repeatedly beneath the cutting deck. The ultra-fine clippings are then forced back into the lawn where they act as a natural fertilizer. Observe the following points for the best results when mulching.

- Never attempt to mulch if the lawn is damp. Wet grass tends to stick to the underside of the cutting deck preventing proper mulching of the clippings.
- Do NOT attempt to mulch more than 1/3 the total height of the grass. Doing so will cause the clippings to clump up beneath the deck and not be mulched effectively.
- Maintain a slow ground speed to allow the grass clippings more time to effectively be mulched.
- Always keep the throttle control lever in the FAST (rabbit) position while mowing. Failing to keep the engine at full throttle places strain on the mower's engine and does not allow the blades to properly mulch the grass clippings.



## Installing / Removing Mulch Baffle



**WARNING!** Before installing or removing the mulch plug, disengage blades, stop the engine and remove key to prevent unintended starting.

Stop the engine and wait for all parts to stop moving.

### Installing the Mulch Baffle

1. Insert the right-side tab (A) of the baffle into the bracket on the deck. See Fig. 5-1.
2. Insert the mulch baffle into the discharge opening (B), See Fig. 5-1.
3. Once it's positioned in the deck opening, push the baffle towards the rear of the mower (C) to secure it in place. See Fig. 5-1.

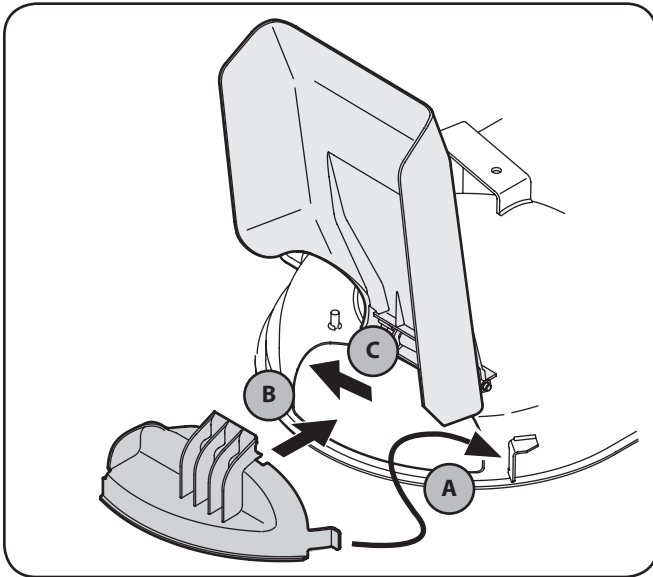


Figure 5-1

### Removing the Mulch Baffle

Slide the baffle to the right (toward the front of the mower) to disengage the slot from the mower deck and then pry the left-side of the baffle outward.

## Maintenance



**WARNING!** Before performing any maintenance or repairs, disengage blades, stop engine and remove key to prevent unintended starting.

## Engine

Refer to the Briggs & Stratton Owner's Manual for all engine maintenance procedures and instructions.

**NOTE:** Maintenance, repair, or replacement of the emission control devices and systems which are being done at owner's expense may be performed by any engine repair establishment or individual. **Warranty repairs must be performed by a Cub Cadet Dealer.**

## Changing the Engine Oil



**WARNING!** If the engine has been recently run, the engine, muffler and surrounding metal surfaces will be hot and can cause burns to the skin. Exercise caution to avoid burns.

1. Run the engine for a few minutes to allow the oil in the crankcase to warm up. Warm oil will flow more freely and carry away more of the engine sediment which may have settled at the bottom of the crankcase. Use care to avoid burns from hot oil.
2. Remove the upper star knob and carriage screw on the right side of the handle. See Fig. 6-1.

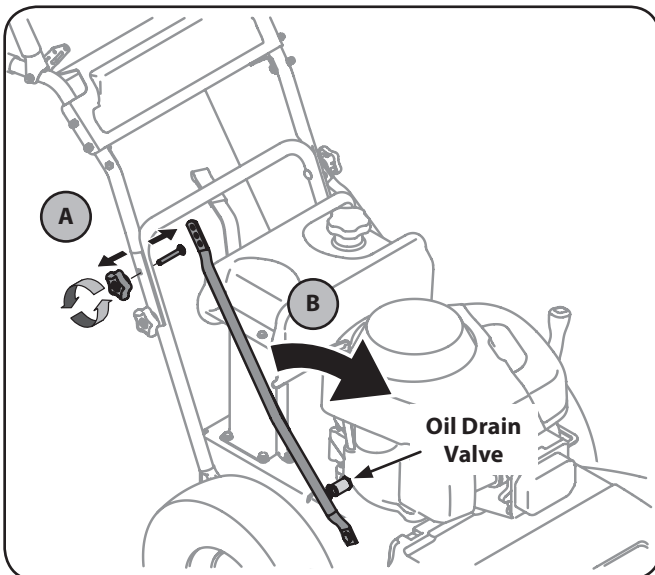


Figure 6-1

3. Pivot the support tube forward to allow room to connect the oil drain hose to the oil drain valve. See Fig. 6-1

4. Pop open the protective cap on the end of the oil drain valve to expose the drain port. See Fig 6-2.

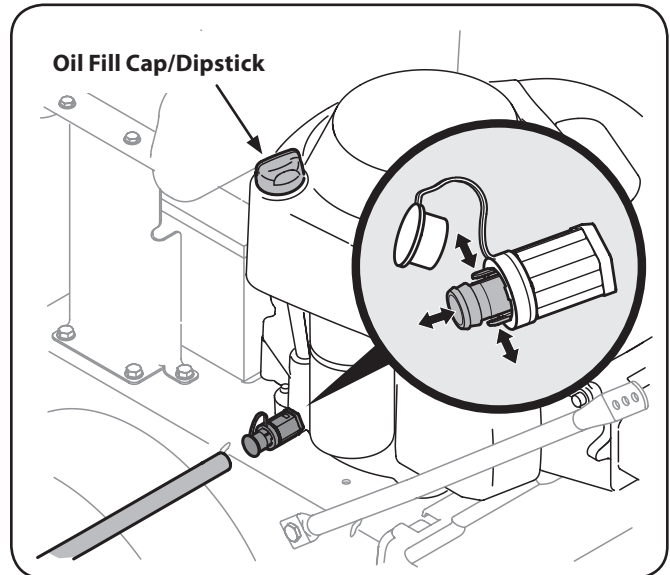


Figure 6-2

5. Remove the oil fill cap/ dipstick from the oil fill tube.
6. Push the oil drain hose (packed with this manual) onto the oil drain port. Route the opposite end of the hose into an appropriate oil collection container with at least a 2.5 quart capacity, to collect the used oil.
7. Pinch the tabs on the oil drain valve, then pull outward to begin draining oil. See Fig 6-2.
8. After the oil has finished draining, push the end of the oil drain valve back in, until the tabs click into place. Re-cap the end of the oil drain valve to keep debris from entering the drain port.
9. Refill the engine with new oil. Refer to the Briggs & Stratton Owner's Manual for information regarding the volume and weight of engine oil

## Air Cleaner

Service the pre-cleaner and cartridge/air cleaner element as instructed in the Briggs & Stratton Owner's Manual.

## Spark Plug

The spark plug should be cleaned and the gap reset once a season. Refer to the Briggs & Stratton Owner's Manual for correct plug type and gap specifications.

## Battery



### **CALIFORNIA PROPOSITION 65 WARNING!**

Battery posts, terminals, and related accessories contain lead and lead compounds, chemicals known to the State of California to cause cancer and reproductive harm. Wash hands after handling.

The battery is sealed and is maintenance-free. Acid levels cannot be checked and fluid can not be added.

- Always keep the battery cables and terminals clean and free of corrosive build-up.
- After cleaning the battery and terminals, apply a light coat of petroleum jelly or grease to both terminals.



**CAUTION:** If removing the battery for cleaning, disconnect the **NEGATIVE (Black)** wire from its terminal first, followed by the **POSITIVE (Red)** wire. When re-installing the battery, always connect the **POSITIVE (Red)** wire its terminal first, followed by the **NEGATIVE (Black)** wire. Be certain that the wires are connected to the correct terminals; reversing them could result in serious damage to your engine's alternating system.

## Tire Pressure



**WARNING!** Maximum tire pressure under any circumstances is 30 psi. Equal tire pressure should be maintained at all times.

Periodically check the pressure on both your mower's rear tires. Uneven tire pressure will cause the cutting deck to mow unevenly and may result in mower to veering to either the left or right during operation. Recommended operating tire pressure is approximately 20 p.s.i. Check the sidewall of tire for maximum p.s.i..

## Cleaning the Mower

Any fuel or oil spilled on the machine should be wiped off promptly. Do NOT allow debris to accumulate around the cooling fins of the engine, the transmission's cooling fan or on any other part of the machine, especially the belts and pulleys.

### Smart Jet™

Your mower's deck is equipped with a water port on its surface as part of its deck wash system.

Use the Smart Jet™ to rinse grass clippings from the deck's underside and prevent the buildup of corrosive chemicals. Complete the following steps **AFTER EACH MOWING**:



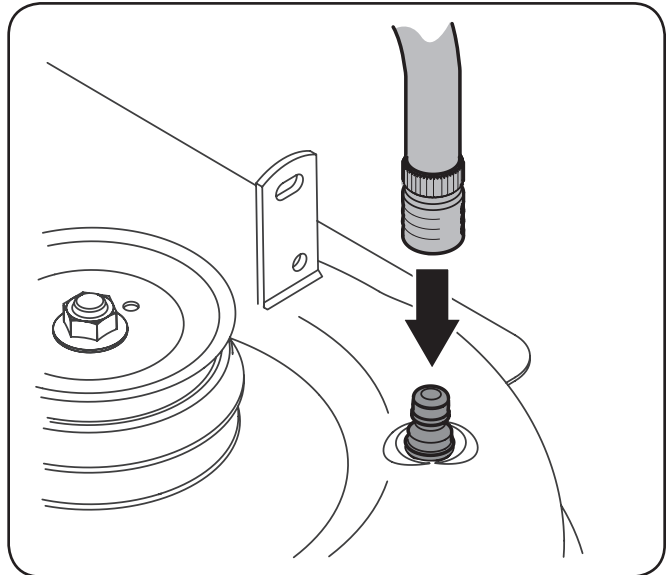
**WARNING!** Before using the deck wash system, always disengage the Blade Control, stop engine and remove key to prevent unintended starting.

1. Position the mower on a level, clear spot on your lawn, near enough for your garden hose to reach.



**CAUTION:** Make certain the mower's discharge chute is directed **AWAY** from your house, garage, parked cars, etc.

2. Thread the hose coupler (packaged with your mower's Operator's Manual) onto the end of your garden hose.
3. Attach the hose coupler to the water port on your decks surface. See Fig. 6-2.



**Figure 6-2**

4. Turn the water on.
5. Start the engine and place the throttle lever in the **FAST (rabbit)** position.
6. While in the operator's position behind the mower, move the **Blade Control** into the **ON** position.
7. Remain in the operator's position with the cutting deck engaged for a minimum of two minutes, allowing the underside of the cutting deck to thoroughly rinse.
8. Move the **Blade Control** into the **OFF** position.
9. Turn the ignition key to the **STOP** position to turn the mower's engine off.
10. Turn the water off and detach the hose coupler from the water port on your deck's surface.

After cleaning your deck with the Smart Jet™ system, start the mower's engine, return to the operator's position and engage the blades. Keep the cutting deck running for a minimum of two minutes, allowing the underside of the cutting deck to thoroughly dry.

## Lubrication



**WARNING!** Before lubricating, repairing, or inspecting, always disengage PTO, set parking brake, stop engine and remove key to prevent unintended starting.

### Pivot Points & Linkage

Lubricate all the pivot points on the drive system and lift linkage at least once a season with light oil.

### Rear Wheels

The rear wheels should be removed from the axles once a season. Lubricate the axles and rim hubs well with an all-purpose grease before reinstalling them.

### Front Wheels

Each of the front wheel axles and casters is equipped with a grease fitting. See Fig. 6-3. Lubricate with a No. 2 multi-purpose grease applied with a grease gun after every 50 hours of mower operation.

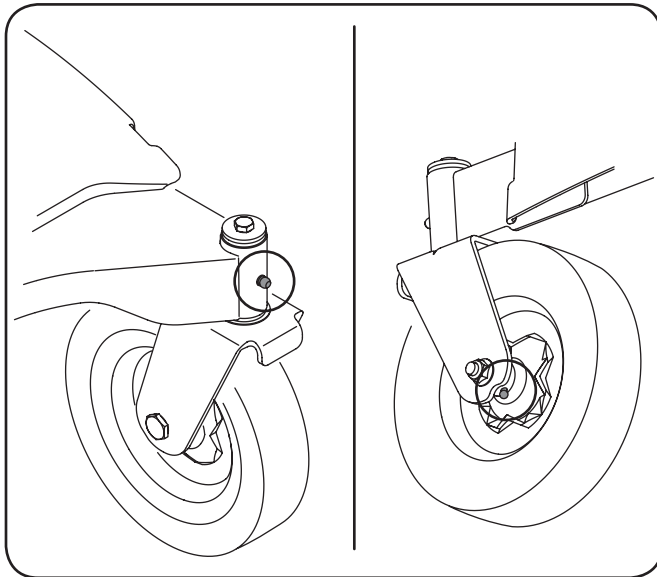


Figure 6-3

## Deck Spindles

Grease fittings can be found on each deck spindle. See Fig. 6-4. Lubricate with 251H EP grease or an equivalent No. 2 multi-purpose lithium grease. Using a grease gun, apply two strokes (minimum) or sufficient grease to the spindle shaft.

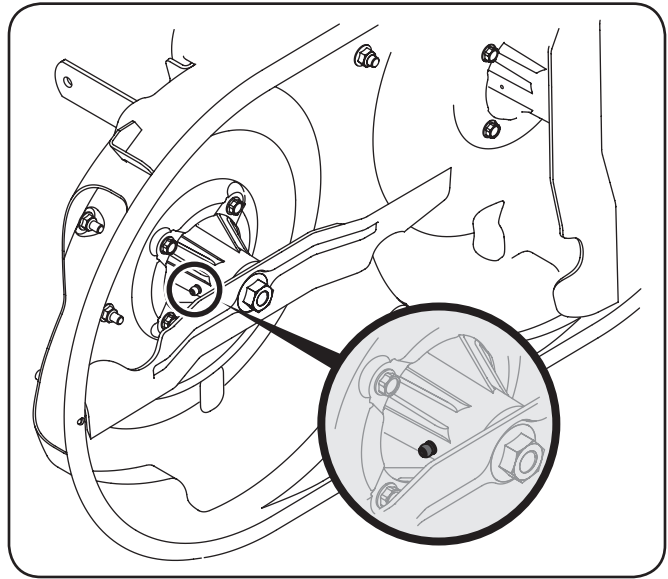


Figure 6-4

## Blade Timing Belt

The cutting deck spindles are driven by timing (cogged) belt, assuring that the deck blades are always perpendicular to each other. At least once a season, or after striking any foreign object, check the timing belt as follows:

1. Remove the belt cover by removing the three screws and washers which secure it to the frame. See Fig. 6-5.



**WARNING!** Do not operate mower without the belt cover installed. Failure to follow this instruction could result in personal injury or property damage.

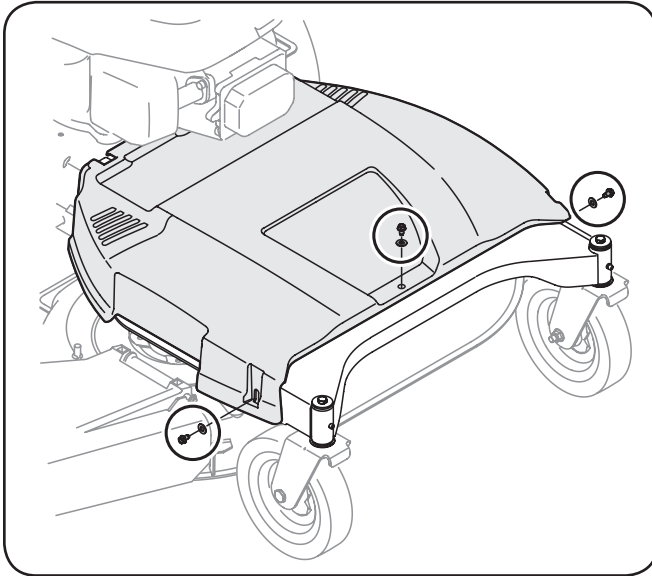


Figure 6-5

1. The top of each spindle pulley is marked with an arrow. See Fig. 6-6. The arrows should be perpendicular (at a 90° angle) to each other.

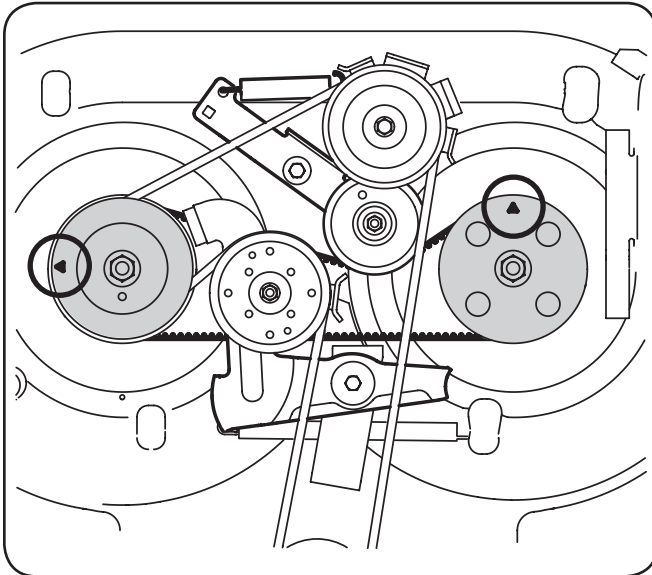


Figure 6-6

2. If the arrows on the surface of each spindle pulley are not perpendicular (at a 90° angle) to each other, see your Cub Cadet dealer to have the deck's timing belt reset.



**WARNING!** Do not operate the machine without the deck's timing belt properly set. Failure to follow this instruction could result in personal injury or property damage.

## Adjustments



**WARNING!** Shut the engine off and remove the ignition key before making adjustments.

## Handle Height

The upper handle is secured to two support bars that can be adjusted to raise or lower the handle height. Adjust if necessary as follows:

1. Remove the upper star knob and carriage screw on the right side of the handle and the left side of the handle. See Fig. 6-7.

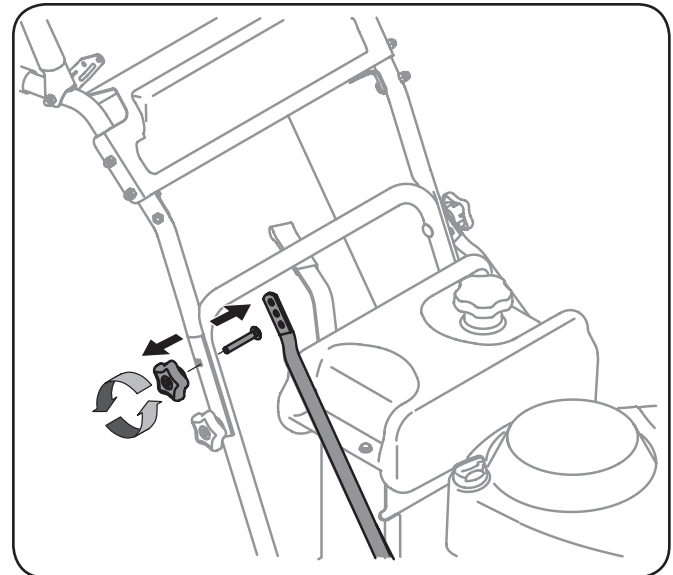


Figure 6-7

2. Pivot the handle forward or rearward to align one of the three holes on each support bar with the holes on the handle.
3. Reinstall the upper star knob and carriage screw on the right side of the handle and the left side of the handle when a comfortable height is achieved

## Maintenance Schedule

	Before Each use	Every 10 Hours	Every 25 Hours	Every 50 Hours	Every 100 Hours	Prior to Storing
Clean Mowers		✓				✓
Check Engine Oil Level	✓					
Check Air Filter for Dirty, Loose or Damaged Parts	✓					
Replace Air Filter Element					✓	
Change Engine Oil				✓		
Clean Battery Terminals		✓				✓
Clean Engine Cooling Fins			✓			✓
Lube Front Deck Wheels and Casters			✓			✓
Lube Deck Spindles			✓			✓
Lube Pivot Points		✓				✓
Check Spark Plug Condition & Gap					✓	✓
Replace Fuel Filter					✓	

## Cutting Deck Removal



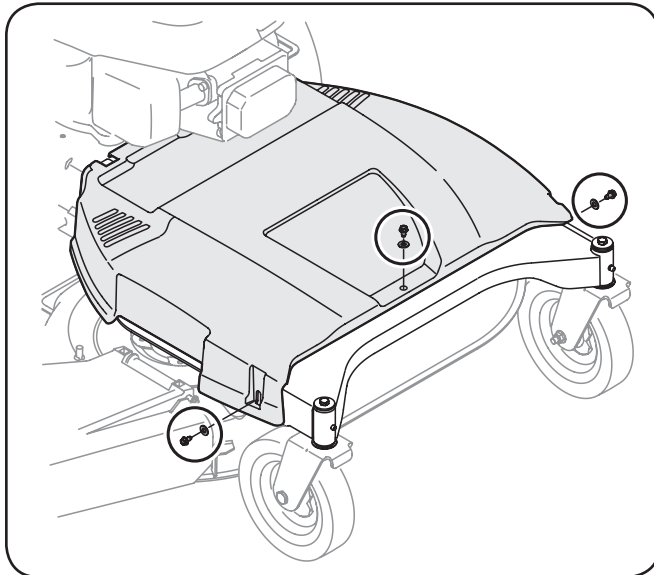
**WARNING!** Before performing any maintenance or repairs, disengage blades, stop engine and remove key to prevent unintended starting.

To remove the cutting deck, proceed as follows:

1. Remove the belt cover by removing the three screws and washers which secure it to the frame. See Fig. 7-1.

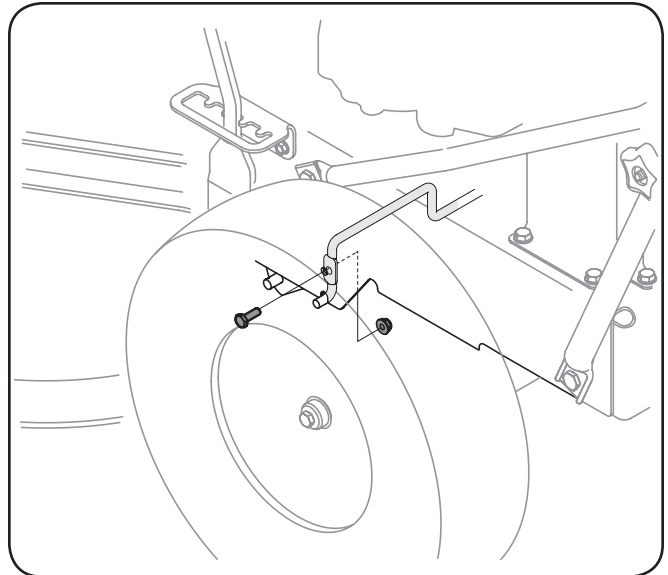


**WARNING:** Do not operate mower without the belt cover installed. Failure to follow this instruction could result in personal injury or property damage.



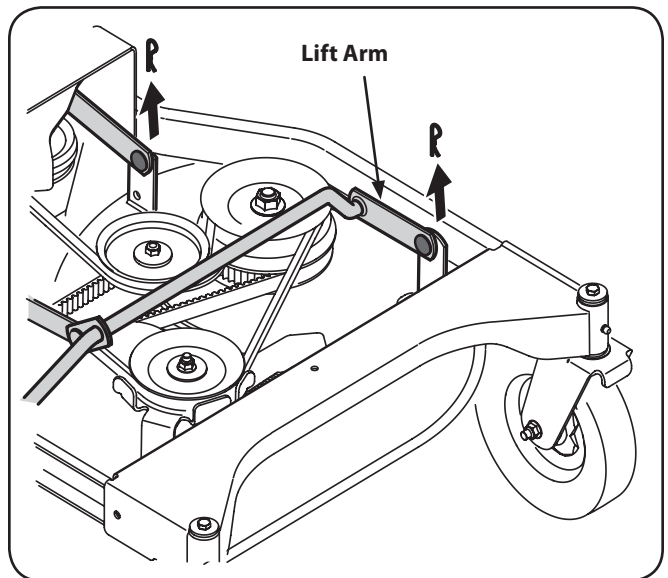
**Figure 7-1**

2. Place the deck height lever in its highest position.
3. Position wood blocks at various places under the deck's edge. These will temporarily support the deck as you unmount it.
4. Use the deck height lever to lower the deck, so that it rests on the wood blocks.
5. Remove the screw and flange nut which secures the belt keeper rod to the left side of the mower's frame. See Fig 7-2.



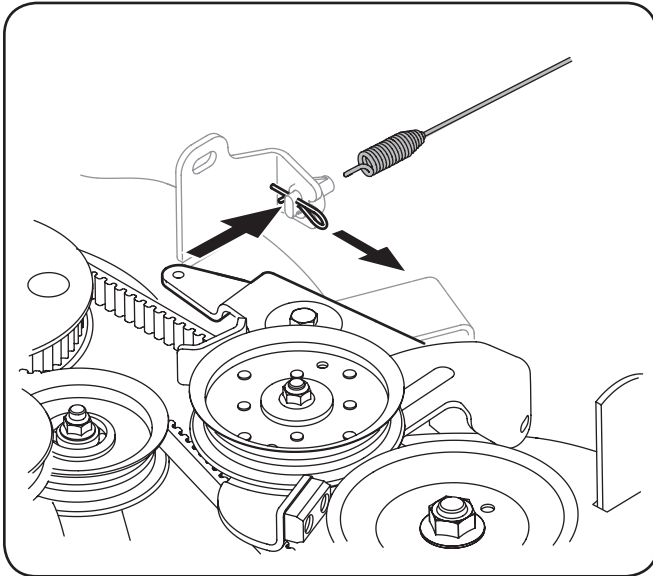
**Figure 7-2**

6. Remove the belt keeper rod and remove the deck belt from around the mower's engine pulley.
7. Looking at the cutting deck from the left side, locate and carefully remove the hairpin clips that secure the deck supports on the rear left side and front left side of the deck. See Fig. 7-3.
8. Repeat the previous step on the mower's right side.
9. Carefully remove the front deck supports from the deck lift arms, Fig. 7-3.



**Figure 7-3**

10. Carefully unhook the mower's lift assembly from the rear deck supports.
11. Use the deck height lever to raise the lift assembly to its highest position.
12. Remove the wooden blocks from under the deck and gently slide the cutting deck toward the rear of the machine.
13. Pull the click pin out and unhook the drive spring cable from the idler arm assembly, See Fig. 7-4.



**Figure 7-4**

14. Gently slide the cutting deck to the right, out from beneath the mower.

To install the cutting deck, follow the above steps in reverse order to reattach deck and belt cover

## Cutting Blades



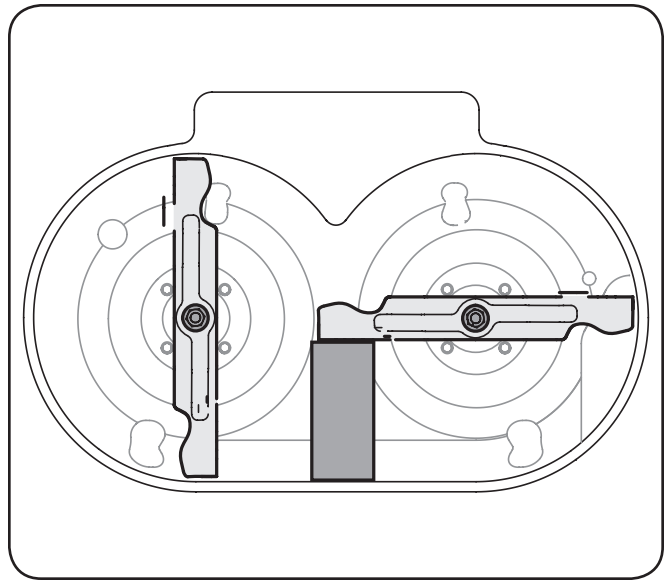
**WARNING!** Shut the engine off and remove ignition key before removing the cutting blade(s) for sharpening or replacement. Protect your hands by using heavy gloves when grasping the blade



**WARNING!** Periodically inspect the blade and/or spindle for cracks or damage, especially after you've struck a foreign object. Do not operate the machine until damaged components are replaced.

To remove the blades, proceed as follows.

1. Remove the deck from beneath the mower, (refer to Cutting Deck Removal earlier in this section) then gently flip the deck over to expose its underside.
2. Place a block of wood between the center deck housing baffle and the cutting blade to act as a stabilizer. See Fig. 7-5.
3. Remove the hex flange nut that secures the blade to the spindle assembly. See Fig. 7-5.



**Figure 7-5**

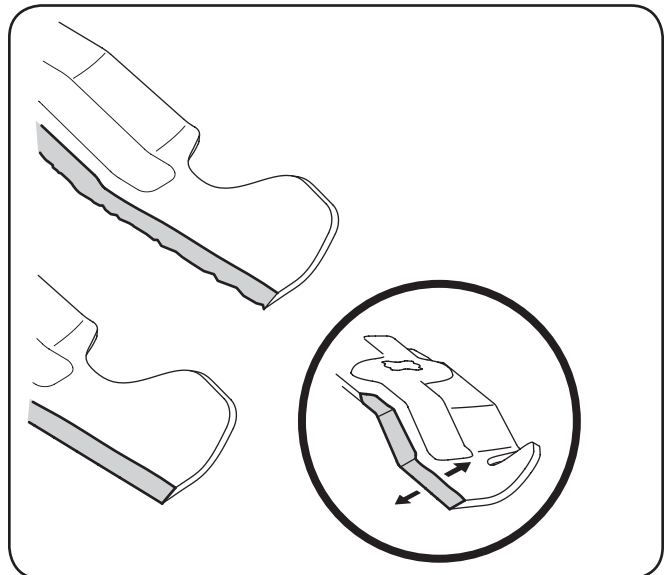
4. To properly sharpen the cutting blades, remove equal amounts of metal from both ends of the blades along the cutting edges, parallel to the trailing edge, at a 25°- to 30° angle. Always grind each cutting blade edge equally to maintain proper blade balance. See Fig. 7-6.



**CAUTION:** If the cutting edge of the blade has previously been sharpened, or if any metal separation is present, replace the blades with new ones.



**WARNING!** A poorly balanced blade will cause excessive vibration, may damage to the mower and/or result in personal injury.



**Figure 7-6**



- Test the blade's balance using a blade balancer. Grind metal from the heavy side until it balances evenly.

**NOTE:** When replacing the blade, be sure to install the blade with the side of the blade marked "Bottom" (or with a part number stamped in it) facing the ground when the mower is in the operating position.



**CAUTION:** Use a torque wrench to tighten the blade spindle hex flange nut to between 70 lbs-ft and 90 lbs-ft.



**CAUTION:** The cutting blades *must* be installed perpendicular to each other. If the blades cannot be installed perpendicular to each other, the blade timing belt must be reset. See your Cub Cadet dealer to have the deck's timing belt reset.

## Trail Shield



**WARNING!** Never operate the mower without the trail shield in place and working. Failure to do so can result in personal injury.

To replace the trail shield, proceed as follows:

- Remove the screw which secures the trail shield to the right side of the mower. See Fig. 7-7.

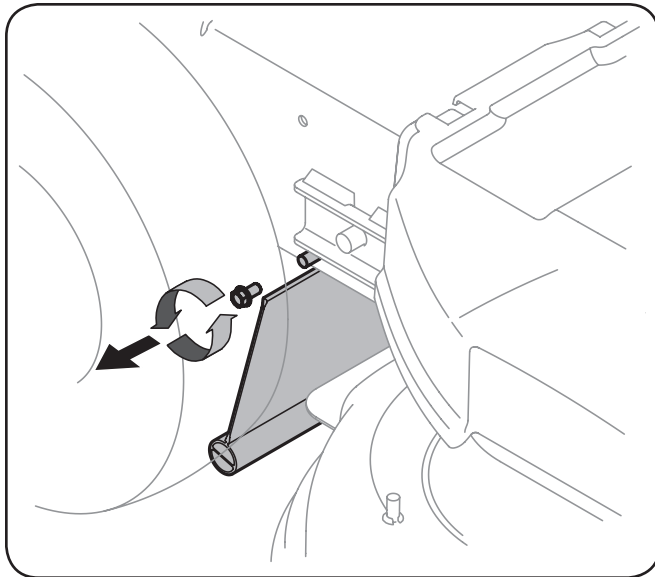


Figure 7-7

- Bow the trail shield inward on each side to release it from the mower frame.
- Install the replacement trail shield by following the steps above in reverse order.

## Battery



### CALIFORNIA PROPOSITION 65 WARNING:

Battery posts, terminals, and related accessories contain lead and lead compounds, chemicals known to the State of California to cause cancer and reproductive harm. Wash hands after handling.



**CAUTION:** If removing the battery, disconnect the NEGATIVE (Black) wire from its terminal first, followed by the POSITIVE (Red) wire. When re-installing the battery, always connect the POSITIVE (Red) wire its terminal first, followed by the NEGATIVE (Black) wire.

## Jump Starting



**WARNING!** Never jump start a damaged or frozen battery. Be certain the vehicles do not touch, and ignitions are off. Do not allow cable clamps to touch.

- Connect positive (+) cable to positive post (+) of your mower's discharged battery.
- Connect the other end of the cable to the (positive +) post of the jumper battery.
- Connect the second cable (negative -) to the other post of the jumper battery.
- Make the final connection on the engine block of the mower, away from the battery. Attach to a unpainted part to assure a good connection.



**CAUTION:** If the jumper battery is installed on a vehicle (i.e. car, truck), do NOT start the vehicle's engine when jump starting your mower.

- Start the mower (as instructed in the Operation section of this manual).
- Remove the jumper cables in reverse order of connection.

## Charging



**WARNING!** Batteries give off an explosive gas while charging. Charge the battery in a well ventilated area and keep away from an open flame or pilot light as on a water heater, space heater, furnace, clothes dryer or other gas appliances.



**CAUTION:** When charging your mower's battery, use only a charger designed for 12V lead-acid batteries. Read your battery charger's Owner's Manual prior to charging your mower's battery. Always follow its instructions and heed its warnings.

If your mower has not been put into use for an extended period of time, charge the battery as follows:

- Set your battery charger to deliver a max of 10 amperes.

If your battery charger is automatic, charge the battery until the charger indicates that charging is complete. If the charger is not automatic, charge for no fewer than eight hours.

## Changing the Deck Engagement Belt



**WARNING!** Shut the engine off and remove ignition key before removing the cutting blade(s) for sharpening or replacement. Protect your hands by using heavy gloves when grasping blades and pulleys.



**WARNING!** The V-belts found on your mower are specially designed to engage and disengage safely. A substitute (non-OEM) V-belt can be dangerous by not disengaging completely. For a proper working machine, use factory approved belts.

All belts on your mower are subject to wear and should be replaced if any signs of wear are present. To change or replace the deck engagement belt on your mower, proceed as follows:

1. Remove the cutting deck from the mower as instructed earlier in this section.



**WARNING!** Avoid pinching injuries. Never place your fingers on the idler spring or between the belt and a pulley while removing the belt

2. Remove the belt cover as instructed earlier in this section. Refer to Fig. 7-1.
3. Remove the belt keeper as instructed earlier in this section. Refer to Fig. 7-2
4. Loosen, but not remove, the nut and bolt which secures each deck idler pulley. See Fig. 7-8.

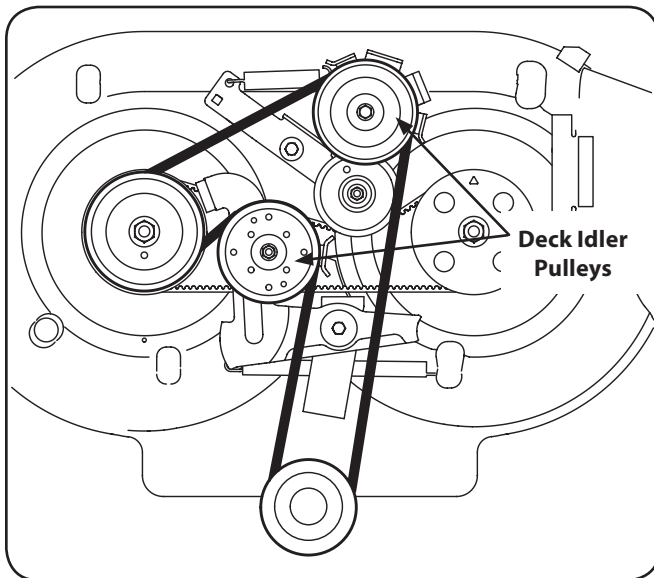


Figure 7-8

5. Remove the belt from around all pulleys.
6. Route the new belt as illustrated in Fig. -8
7. Retighten the nuts and bolts which secure each idler pulley.
8. Reattach the belt keeper and belt cover.

## Changing the Deck Timing Belt

Several components must be removed and special tools used in order to change the mower deck's timing belt. See your Cub Cadet dealer to have the deck's timing belt replaced

## Changing the Transmission Drive Belt

Several components must be removed and special tools used in order to change the mower's transmission drive belt. See your Cub Cadet dealer to have the transmission drive belt replaced

## Fuse



**WARNING!** Before servicing, repairing, or inspecting, always disengage blades, stop engine and remove key to prevent unintended starting.


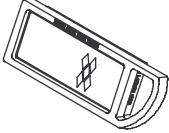

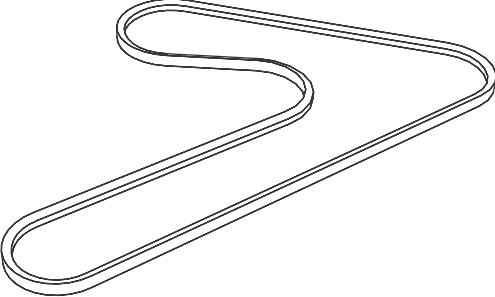
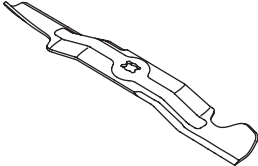
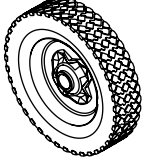
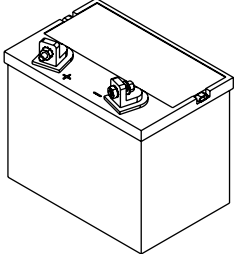
A 20 Amp fuse is installed in your mower's wiring harness to protect the mower's electrical system from damage caused by excessive amperage.

If the electrical system does not function, or your mower's engine will not crank, first check to be certain that the fuse has not blown. It is located near the battery.




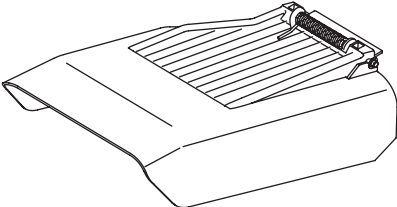
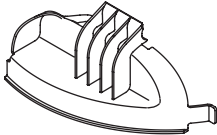
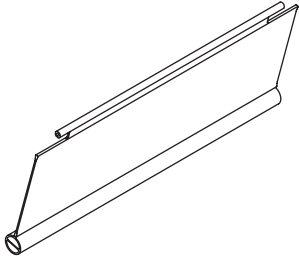


**CAUTION:** Always use a replacement fuse with the same amperage capacity as the blown fuse.

Problem	Cause	Remedy
Engine fails to start	<ol style="list-style-type: none"> <li>1. Choke not activated</li> <li>2. Fuel tank empty, or stale fuel.</li> <li>3. Blocked fuel line.</li> <li>4. Faulty spark plug.</li> <li>5. Engine flooded.</li> <li>6. Battery</li> <li>7. Blown fuse</li> </ol>	<ol style="list-style-type: none"> <li>1. Place throttle/choke control in CHOKE position.</li> <li>2. Fill tank with clean, fresh (less than 30 days old) gas.</li> <li>3. Clean fuel line and replace fuel filter.</li> <li>4. Clean, adjust gap or replace plug.</li> <li>5. Crank engine with throttle in FAST position.</li> <li>6. Recharge battery.</li> <li>7. Replace blown fuse</li> </ol>
Engine runs erratic	<ol style="list-style-type: none"> <li>1. Engine running with CHOKE activated.</li> <li>2. Spark plug wire(s) loose.</li> <li>3. Blocked fuel line or stale fuel.</li> <li>4. Vent in gas cap plugged.</li> <li>5. Water or dirt in fuel system.</li> <li>6. Dirty air cleaner.</li> </ol>	<ol style="list-style-type: none"> <li>1. Move throttle/choke control out of CHOKE position.</li> <li>2. Connect spark plug wire(s).</li> <li>3. Clean fuel line; fill tank with clean, fresh gasoline and replace fuel filter.</li> <li>4. Clear vent or replace cap if damaged.</li> <li>5. Drain fuel tank. Refill with clean, fresh gasoline.</li> <li>6. Replace air cleaner paper element.</li> </ol>
Engine overheats	<ol style="list-style-type: none"> <li>1. Engine oil level low.</li> <li>2. Air flow restricted.</li> </ol>	<ol style="list-style-type: none"> <li>1. Fill crankcase with proper amount and weight of oil.</li> <li>2. Clean grass clippings and debris from around the engine's cooling fins and blower housing.</li> </ol>
Engine hesitates at high RPM	<ol style="list-style-type: none"> <li>1. Spark plug gap too close.</li> </ol>	<ol style="list-style-type: none"> <li>1. Remove spark plug and reset the gap.</li> </ol>
Engine Idles rough	<ol style="list-style-type: none"> <li>1. Spark plug fouled, faulty or gap too wide.</li> <li>2. Dirty air cleaner.</li> </ol>	<ol style="list-style-type: none"> <li>1. Replace spark plug. Set plug gap.</li> <li>2. Replace air cleaner element and/or clean pre-cleaner.</li> </ol>
Excessive vibration	<ol style="list-style-type: none"> <li>1. Cutting blade loose or unbalanced.</li> <li>2. Damaged or bent cutting blade.</li> </ol>	<ol style="list-style-type: none"> <li>1. Tighten blade and spindle.</li> <li>2. Replace blade.</li> </ol>
Mower will not mulch grass	<ol style="list-style-type: none"> <li>1. Engine speed too low.</li> <li>2. Wet grass.</li> <li>3. Excessively high grass.</li> <li>4. Dull blade.</li> </ol>	<ol style="list-style-type: none"> <li>1. Place throttle in FAST (rabbit) position.</li> <li>2. Do not mulch when grass is wet.</li> <li>3. Mow once at a high cutting height, then mow again at desired height or make a narrower cutting swath.</li> <li>4. Sharpen or replace blade.</li> </ol>
Uneven cut	<ol style="list-style-type: none"> <li>1. Deck not leveled properly.</li> <li>2. Dull blade.</li> <li>3. Uneven tire pressure.</li> </ol>	<ol style="list-style-type: none"> <li>1. Perform side-to-side deck adjustment.</li> <li>2. Sharpen or replace blade.</li> <li>3. Check tire pressure in rear tires.</li> </ol>

Component	Part Number and Description
	759-3336 Spark Plug (Champion RC12YC)
	BS-698413 Briggs & Stratton Air Filter Cartridge
	951-3013 Fuel Filter
	954-04139 Belt (Mowing Deck Engagment)
	942-04154A Deck Blade
	734-04263 Wheel (Front)
	925-1704A Battery

Phone (800) 965-4CUB to order replacement parts or a complete Parts Manual (have your full model number and serial number ready). Parts Manual downloads are also available free of charge at [www.cubcadet.com](http://www.cubcadet.com).

Component	Part Number and Description
	951-10514      Fuel Tank Cap
	746-04604      Throttle/Choke Control (Cable)
	925-2054A      Ignition Key
	931-04244      Discharge Chute Assembly
	731-05938      Mulch Baffle
	731-05766      Trail Shield

Phone (800) 965-4CUB to order replacement parts or a complete Parts Manual (have your full model number and serial number ready). Parts Manual downloads are also available free of charge at [www.cubcadet.com](http://www.cubcadet.com).

The following attachments and accessories are compatible for the Cub Cadet Time Saver™ Wide Cut Mower. See your Cub Cadet dealer or the retailer from which you purchased your mower for information regarding price and availability.

<b>Model Number</b>	<b>Description</b>
19A20001100	Grass Collector, 33" Mower



---

**CALIFORNIA EMISSION CONTROL WARRANTY STATEMENT**  
**YOUR WARRANTY RIGHTS AND OBLIGATIONS**

The California Air Resources Board and MTD Consumer Group Inc are pleased to explain the evaporative emission control system warranty on your 2008 lawn mower. In California, new lawn mowers must be designed, built and equipped to meet the State's stringent anti-smog standards. MTD Consumer Group Inc must warrant the EECS on your lawn mower for the period of time listed below provided there has been no abuse, neglect or improper maintenance of your lawn mower.

Your EECS may include parts such as the carburetor, fuel-injection system, the ignition system, catalytic converter, fuel tanks, fuel lines, fuel caps, valves, canisters, filters, vapor hoses, clamps, connectors, and other associated emission-related components.

**Where a warrantable condition exists, MTD Consumer Group Inc will repair your lawn mower at no cost to you including diagnosis, parts and labor.**

**MANUFACTURER'S WARRANTY COVERAGE:**

This evaporative emission control system is warranted for two years. If any evaporative emission-related part on your equipment is defective, the part will be repaired or replaced by MTD Consumer Group Inc.

**OWNER'S WARRANTY RESPONSIBILITIES:**

As the lawn mower owner, you are responsible for performance of the required maintenance listed in your owner's manual. MTD Consumer Group Inc recommends that you retain all receipts covering maintenance on your lawn mower, but MTD Consumer Group Inc cannot deny warranty solely for the lack of receipts.

As the lawn mower owner, you should however be aware that MTD Consumer Group Inc may deny you warranty coverage if your lawn mower or a part has failed due to abuse, neglect, or improper maintenance or unapproved modifications.

You are responsible for presenting your lawn mower to MTD Consumer Group Inc's distribution center or service center as soon as the problem exists. The warranty repairs should be completed in a reasonable amount of time, not to exceed 30 days. If you have a question regarding your warranty coverage, you should contact the MTD Consumer Group Inc Service Department at 1-800-800-7310.

**GENERAL EMISSIONS WARRANTY COVERAGE:**

MTD Consumer Group Inc warrants to the ultimate purchaser and each subsequent purchaser that the lawn mower is: Designed, built and equipped so as to conform with all applicable regulations; and free from defects in materials and workmanship that cause the failure of a warranted part to be identical in all material respects to that part as described in MTD Consumer Group Inc's application for certification.

The warranty period begins on the date the lawn mower is delivered to an ultimate purchaser or first placed into service. The warranty period is two years.

Subject to certain conditions and exclusions as stated below, the warranty on emission-related parts is as follows:

1. Any warranted part that is not scheduled for replacement as required maintenance in the written instructions supplied, is warranted for the warranty period stated above. If the part fails during the period of warranty coverage, the part will be repaired or replaced by MTD Consumer Group Inc according to subsection (4) below. Any such part repaired or replaced under warranty will be warranted for the remainder of the period.
  2. Any warranted part that is scheduled only for regular inspection in the written instructions supplied is warranted for the warranty period stated above. Any such part repaired or replaced under warranty will be warranted for the remaining warranty period.
  3. Any warranted part that is scheduled for replacement as required maintenance in the written instructions supplied is warranted for the period of time before the first scheduled replacement date for that part. If the part fails before the first scheduled replacement, the part will be repaired or replaced by MTD Consumer Group Inc according to subsection (4) below. Any such part repaired or replaced under warranty will be warranted for the remainder of the period prior to the first scheduled replacement point for the part.
  4. Repair or replacement of any warranted part under the warranty provisions herein must be performed at a warranty station at no charge to the owner.
  5. Notwithstanding the provisions herein, warranty services or repairs will be provided at all of our distribution centers that are franchised to service the subject engines or equipment.
  6. The lawn mower owner will not be charged for diagnostic labor that is directly associated with diagnosis of a defective, emission-related warranted part, provided that such diagnostic work is performed at a warranty station.
  7. MTD Consumer Group Inc is liable for damages to other engine or equipment components proximately caused by a failure under warranty of any warranted part.
  8. Throughout the lawn mower warranty period stated above, MTD Consumer Group Inc will maintain a supply of warranted parts sufficient to meet the expected demand for such parts.
  9. Any replacement part may be used in the performance of any warranty maintenance or repairs and must be provided without charge to the owner. Such use will not reduce the warranty obligations of MTD Consumer Group Inc.
  10. Add-on or modified parts that are not exempted by the Air Resources Board may not be used. The use of any non-exempted add-on or modified parts by the ultimate purchaser will be grounds for disallowing a warranty claims. MTD Consumer Group Inc will not be liable to warrant failures of warranted parts caused by the use of a non-exempted add-on or modified part.
-



---

### **WARRANTED PARTS:**

The repair or replacement of any warranted part otherwise eligible for warranty coverage may be excluded from such warranty coverage if MTD Consumer Group Inc demonstrates that the lawn mower has been abused, neglected, or improperly maintained, and that such abuse, neglect, or improper maintenance was the direct cause of the need for repair or replacement of the part. That notwithstanding, any adjustment of a component that has a factory installed, and properly operating, adjustment limiting device is still eligible for warranty coverage. The following emission warranty parts are covered:

(1) Fuel Metering System

- Cold start enrichment system (soft choke)
- Carburetor and internal parts
- Fuel pump
- Fuel tank

(2) Air Induction System

- Air cleaner
- Intake manifold

(3) Ignition System

- Spark plug(s)
- Magneto ignition system

(4) Exhaust System

- Catalytic converter
- SAI (Reed valve)

(5) Miscellaneous Items Used in Above System

- Vacuum, temperature, position, time sensitive valves and switches
- Connectors and assemblies

(6) Evaporative Control

- Fuel hose certified for ARB evaporative emissions 2008
- Fuel hose clamps
- Tethered fuel cap
- Carbon canister
- Vapor lines

---

## CUB CADET LLC MANUFACTURER'S LIMITED WARRANTY FOR 33-INCH WIDE CUT MOWER

**IMPORTANT:** To obtain warranty coverage owner must present an original proof of purchase and applicable maintenance records to the servicing dealer. Please see the operator's manual for information on required maintenance and service intervals.

The limited warranty set forth below is given by Cub Cadet LLC with respect to new merchandise purchased or leased and used in the United States and/or its territories and possessions, and by MTD Products Limited with respect to new merchandise purchased or leased and used in Canada and/or its territories and possessions (either entity respectively, "Cub Cadet").

Cub Cadet warrants this product (excluding its *Normal Wear Parts and Battery*, as described below) against defects in material and workmanship for a period of three (3) years or one hundred twenty (120) operation hours, whichever comes first, commencing on the date of original retail purchase or lease and will, at its option, repair or replace, free of charge, any part found to be defective in materials or workmanship.

*Normal Wear Parts* are warranted to be free from defects in material and workmanship for a period of thirty (30) days from the date of original purchase or lease. Normal wear parts include, but are not limited to items such as: belts, blades, blade adapters, grass bags, wheels and tires.

*Batteries* have a one-year prorated limited warranty against defects in material and workmanship, with 100% replacement during the first three months. After three months, the battery replacement credit is based on the months remaining in the twelve (12) month period dating back to the original date of original sale or lease. Any replacement battery will be warranted only for the remainder of the original warranty period.

This limited warranty shall only apply if this product has been operated and maintained in accordance with the Operator's Manual furnished with the product, and has not been subject to misuse, abuse, neglect, accident, improper maintenance, alteration, vandalism, theft, fire, water, or damage because of other peril or natural disaster. Damage resulting from the installation or use of any part, accessory or attachment not approved by Cub Cadet for use with the product(s) covered by this manual will void your warranty as to any resulting damage. In addition, Cub Cadet may deny warranty coverage if the hour meter, or any part thereof, is altered, modified, disconnected or otherwise tampered with.

**HOW TO OBTAIN SERVICE:** Warranty service is available, WITH PROOF OF PURCHASE AND APPLICABLE MAINTENANCE RECORDS, through your local authorized service dealer. To locate the dealer in your area:

**In the U.S.A.:**

Check your Yellow Pages, or contact Cub Cadet LLC at P.O. Box 361131, Cleveland, Ohio 44136-0019, call 1-877-282- 8684 or log on to our website at [www.cubcadet.com](http://www.cubcadet.com).

**In Canada:**

Contact MTD Products Limited, Kitchener, ON N2G 4J1, call 1-800-668-1238 or log on to our website at [www.mtdcanada.com](http://www.mtdcanada.com).

Without limiting the foregoing, this limited warranty does not provide coverage in the following cases:

- a. The engine or component parts thereof. These items may carry a separate manufacturer's warranty. Refer to applicable manufacturer's warranty for terms and conditions.
- b. Routine maintenance items such as lubricants, filters, blade sharpening, tune-ups, brake adjustments, clutch adjustments, deck adjustments, and normal deterioration of the exterior finish due to use or exposure.
- c. Service completed by someone other than an authorized service dealer.
- d. Cub Cadet does not extend any warranty for products sold or exported outside of the United States and/or Canada, and their respective possessions and territories, except those sold through Cub Cadet's authorized channels of export distribution.
- e. Replacement parts and/or accessories that are not genuine Cub Cadet parts.
- f. Transportation charges and service calls.

**There are no implied warranties, including without limitation any implied warranty of merchantability or fitness for a particular purpose. No warranties shall apply after the applicable period of express written warranty above. No other express warranties beyond those mentioned above, given by any person or entity, including a dealer or retailer, with respect to any product, shall bind Cub Cadet. The exclusive remedy is repair or replacement of the product as set forth above. The terms of this warranty provide the sole and exclusive remedy arising from the sale and/or lease of the products covered hereby. Cub Cadet shall not be liable for any incidental or consequential loss or damage including, without limitation, expenses incurred for substitute or replacement lawn care services or for rental expenses to temporarily replace a warranted product.**

Some jurisdictions do not allow the exclusion or limitation of incidental or consequential damages, or limitations on how long an implied warranty lasts, so the above exclusions or limitations may not apply to you.

In no event shall recovery of any kind be greater than the amount of the purchase price of the product sold. **Alteration of safety features of the product shall void this warranty.** You assume the risk and liability for loss, damage, or injury to you and your property and/or to others and their property arising out of the misuse or inability to use the product.

This limited warranty shall not extend to anyone other than the original purchaser or to the person for whom it was purchased as a gift.

**HOW LOCAL LAWS RELATE TO THIS WARRANTY:** This limited warranty gives you specific legal rights, and you may also have other rights that vary in different jurisdictions.

**Cub Cadet LLC, P.O. BOX 361131 CLEVELAND, OHIO 44136-0019, Phone: 1-877-282-8684  
MTD Products Limited, Kitchener, ON N2G 4J1, Phone: 1-800-668-1238**

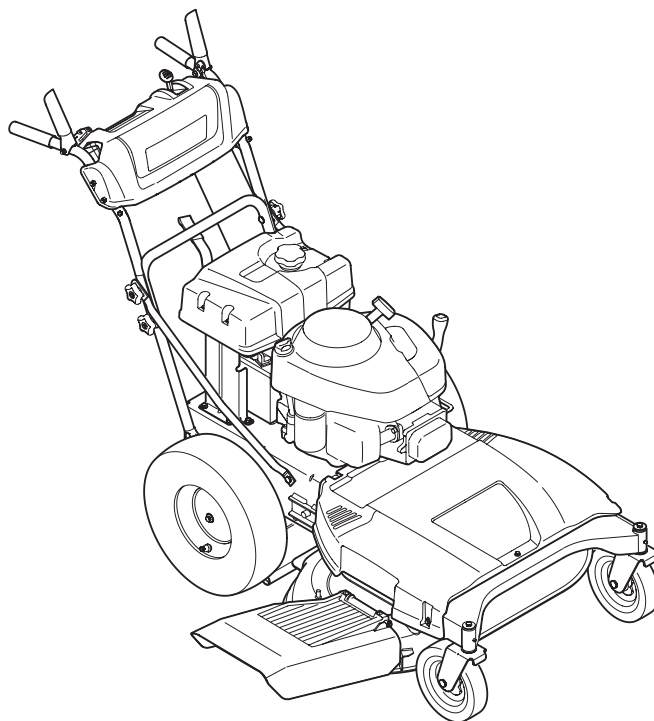
---

Medidas importantes de seguridad • Configuración • Funcionamiento • Mantenimiento • Servicio •  
Solución de problemas • Garantía

---

# *Cub Cadet*<sup>®</sup>

## MANUAL DEL OPERADOR



**33" / Cortacésped Amplio**

### **⚠ ADVERTENCIA**

**LEA Y SIGA TODAS LAS INSTRUCCIONES DE ESTE MANUAL ANTES DE PONER EN  
FUNCIONAMIENTO ESTA MÁQUINA.  
SI NO RESPETA ESTAS INSTRUCCIONES PUEDE PROVOCAR LESIONES PERSONALES.**

---

CUB CADET LLC, P.O. BOX 361131 CLEVELAND, OHIO 44136-0019

---

## Gracias

Gracias por comprar una máquina corta césped amplio fabricada por Cub Cadet LLC LLC. La misma ha sido diseñada cuidadosamente para brindar excelente rendimiento si se la opera y mantiene correctamente.

Por favor lea todo este manual antes de operar el equipo. Le indica cómo configurar, operar y mantener la máquina con seguridad y fácilmente. Por favor asegúrese de seguir cuidadosamente y en todo momento las prácticas de seguridad recomendadas, y hacérselas seguir a cualquier otra persona que opere la máquina. En caso de no hacerlo podrían producirse lesiones personales o daños materiales.

Toda la información contenida en este manual hace referencia a la más reciente información de producto disponible en el momento de la impresión. Revise el manual frecuentemente para familiarizarse con la unidad, sus características y funcionamiento. Por favor tenga en cuenta que este Manual del Operador puede cubrir una gama de especificaciones de productos de diferentes modelos. Las características y funciones incluidas y/o ilustradas en este manual pueden no ser aplicables a todos los modelos. Cub Cadet se reserva el derecho de

modificar las especificaciones de los productos, los diseños y el equipo estándar sin previo aviso y sin generar responsabilidad por obligaciones de ningún tipo.

Este producto cumple con las estrictas normas de seguridad del Outdoor Power Equipment Institute y de un laboratorio de pruebas independiente. Si tiene algún problema o duda respecto a la unidad, llame a un distribuidor de servicio Cub Cadet autorizado o póngase en contacto directamente con nosotros. Los números de teléfono, dirección del sitio web y dirección postal de la Asistencia al Cliente de Cub Cadet se encuentran en esta página. Queremos garantizar su entera satisfacción en todo momento.

En este manual, las referencias al lado *derecho* o *izquierdo* de la máquina se observan desde la posición del operador.

El fabricante del motor es el responsable de todas las cuestiones relacionadas con el rendimiento, potencia de salida, especificaciones, garantía y mantenimiento del motor. Para obtener mayor información consulte el Manual del Propietario / Operador entregado por el fabricante del motor, que se envía, en un paquete por separado, junto con su unidad.

## Índice

<b>Importante Medidas importantes de seguridad</b>	<b>37</b>	<b>Mantenimiento y Ajustes</b> .....	<b>52</b>
<b>Ensamblado y Configuración</b> .....	<b>43</b>	<b>Servicio</b> .....	<b>57</b>
<b>Controles y Características</b> .....	<b>46</b>	<b>Solución de Problemas</b> .....	<b>61</b>
<b>Funcionamiento</b> .....	<b>49</b>	<b>Piezas de Reemplazo</b> .....	<b>62</b>

## Registro de información de producto

Antes de configurar y operar su equipo nuevo, por favor localice la placa del modelo en el equipo y registre la información en el área situada a la derecha. Para encontrar la placa de modelo, colóquese detrás de la unidad en la posición del operador y mire hacia la parte inferior de la sección trasera del chasis. Si tiene que solicitar soporte técnico a través de nuestro sitio web, el Departamento de Asistencia al Cliente, o de un distribuidor de servicio autorizado local, necesitará esta información.

### NÚMERO DE MODELO

□	□	□	□	□	□	□	□	□	□	□
---	---	---	---	---	---	---	---	---	---	---

### NÚMERO DE SERIE

□	□	□	□	□	□	□	□	□	□	□
---	---	---	---	---	---	---	---	---	---	---

## Asistencia al Cliente

**Por favor, NO devuelva la unidad al minorista o distribuidor sin ponerse en contacto primero con el Departamento de Asistencia al Cliente.**

En caso de tener problemas para montar este producto o de tener dudas con respecto a los controles, funcionamiento o mantenimiento del mismo, puede solicitar la ayuda de expertos. Elija entre las opciones que se presentan a continuación:

- ◇ Visite nuestro sitio web en [www.cubcadet.com](http://www.cubcadet.com)
- ◇ Llame a un representante de Asistencia al Cliente al (800) 965-4CUB
- ◇ Escribanos a Cub Cadet LLC • P.O. Box 361131 • Cleveland, OH • 44136-0019

# Medidas importantes de seguridad

# 2



**ADVERTENCIA:** La presencia de este símbolo indica que se trata de instrucciones importantes de seguridad que se deben respetar para evitar poner en peligro su seguridad personal y/o material y la de otras personas. Lea y siga todas las instrucciones de este manual antes de poner en funcionamiento esta máquina. Si no respeta estas instrucciones puede provocar lesiones personales.

Cuando vea este símbolo - **¡TENGA EN CUENTAS LAS ADVERTENCIAS!**

## PROPOSICIÓN 65 DE CALIFORNIA



**ADVERTENCIA:** El escape del motor de este producto, algunos de sus componentes y algunos componentes del vehículo contienen o liberan sustancias químicas que el estado de California considera que pueden producir cáncer, defectos de nacimiento u otros problemas reproductivos.



**ADVERTENCIA:** Los postes de batería, los terminales, y los accesorios relacionados contienen plomo y compuestos de plomo, productos químicos conocidos al Estado de California causar el cáncer y el daño reproductivo. Lave manos después del manejo.



**PELIGRO:** Esta máquina está diseñada para ser utilizada respetando las normas de seguridad contenidas en este manual. Al igual que con cualquier tipo de equipo motorizado, un descuido o error por parte del operador puede producir lesiones graves. Esta máquina es capaz de amputar dedos, manos y pies y de arrojar objetos extraños con gran fuerza. De no respetar las instrucciones de seguridad siguientes se pueden producir lesiones graves o la muerte.

## Funcionamiento

### Funcionamiento general:

1. Lea y siga todas las instrucciones contenidas en este manual antes de intentar ensamblar esta máquina. Lea, comprenda y siga todas las instrucciones que figuran en la máquina y en el o los manuales antes de intentar operarla. Familiarícese completamente con los controles y con el uso apropiado de esta máquina antes de operarla. Guarde este manual en un lugar seguro para referencias futuras y regulares y para solicitar repuestos.
2. Esta máquina es una pieza de equipo de precisión, no un juguete. Por tanto, tenga la máxima precaución en todo momento. Su unidad ha sido diseñada para realizar una tarea: cortar el césped. No la utilice con ningún otro propósito.
3. No permita nunca que los niños menores de 14 años operen esta máquina. Los niños de 14 años y más deben leer y comprender las instrucciones contenidas en este manual y deben ser capacitados y supervisados por uno de los padres. Únicamente los individuos responsables que se hayan familiarizado con estas reglas de seguridad para la operación deberán usar esta máquina.
4. Inspeccione minuciosamente el área en donde utilizará el equipo. Saque todas las piedras, palos, cables, huesos, juguetes y otros objetos extraños con los que podría tropezar o que podrían ser arrojados por la cuchilla. Los objetos arrojados por la máquina pueden producir lesiones graves. Planifique el patrón en el que va a ir descargando el recorte para evitar que la descarga de material se realice hacia los caminos, las veredas, los observadores, etc. Evite además descargar material contra las paredes y obstrucciones que podrían provocar que el material descargado rebote contra el operador.
5. Para ayudar a evitar el contacto con la cuchilla o una lesión por un objeto arrojado, manténgase en la zona del operador detrás de las manijas y mantenga a los niños, observadores, ayudantes y mascotas apartados al menos 25 metros de la podadora mientras está en operación. Detenga la máquina si alguien entra en la zona.
6. Para protegerse los ojos utilice siempre anteojos o antiparras de seguridad mientras opera la máquina o mientras la ajusta o repara. Los objetos arrojados que rebotan pueden lesionar gravemente la vista.
7. Utilice zapatos de trabajo resistentes, de suela fuerte y pantalones y camisas ajustados. Se recomienda utilizar camisas y pantalones que cubran los brazos y las piernas, así como calzado con puntas reforzadas en acero. Nunca opere esta máquina con los pies desnudos, sandalias, o con zapatos ligeros o con los que se pueda resbalar (por ejemplo, calzado de lona).

8. No ponga las manos o los pies cerca de las piezas rotatorias o en la tolva de la cortadora. El contacto con las cuchillas puede producir la amputación de manos y pies.
9. Una cubierta de descarga faltante o dañada puede provocar el contacto con la cuchilla o lesiones por objetos arrojados.
10. Muchas lesiones ocurren como resultado de pasar la cortadora sobre los pies durante una caída provocada por derrapes o tropiezos. No se sostenga de la podadora si se está cayendo, suelte la manija inmediatamente.
11. Nunca tire hacia usted la podadora mientras camina. Si debe retroceder la podadora para evitar una pared u obstáculo, mire primero abajo y atrás para evitar tropezarse y luego siga estos pasos:
  - a. Retroceda de la podadora hasta estirar completamente sus brazos.
  - b. Asegúrese que está bien equilibrado y bien parado.
  - c. Tire de la podadora lentamente hacia usted, no más allá de la mitad de la distancia entre usted y la podadora.
  - d. Repita estos pasos como se requiera.
12. No opere esta máquina estando bajo los efectos del alcohol o de drogas.
13. No embrague el mecanismo de autopropulsión en unidades con este equipo mientras arranca el motor.
14. El mecanismo de control de la cuchilla es un dispositivo de seguridad. Nunca intente desviarse de su funcionamiento. De hacerlo no funcionarían los dispositivos de seguridad y podrían producirse lesiones personales por el contacto con las cuchillas giratorias. Las manijas de control de la cuchilla deben funcionar bien en ambas direcciones y regresar automáticamente a la posición de desengrane cuando se las suelta.
15. Nunca opere la podadora en césped húmedo. Siempre esté seguro de su equilibrio. Si tropieza y cae puede lesionarse gravemente. Si siente que pierde el equilibrio, suelte inmediatamente la manija de control de la cuchilla y la cuchilla dejará de girar en tres segundos.
16. Corte el césped solamente con luz de día o con una buena luz artificial. Camine, nunca corra.
17. Detenga la cuchilla cuando cruce caminos de gravilla, pasos o andadores.
18. Si la máquina comenzara a vibrar de manera anormal, detenga el motor, y busque inmediatamente la causa. La vibración por lo general es una advertencia de algún problema.
19. Apague el motor y espere hasta que la cuchilla se detenga completamente antes de retirar la guarda para el recorte de césped o desatorar la tolva. La cuchilla continúa girando por unos cuantos segundos después que el motor se ha apagado. Nunca coloque ninguna parte del cuerpo en el área de la cuchilla hasta que esté seguro que la cuchilla ha detenido su movimiento rotatorio.
20. Nunca opere la cortadora sin las guardas apropiadas, cubierta de descarga, guarda para recorte, manija de control de la cuchilla y otros dispositivos de seguridad y protección en su lugar y funcionando. Nunca opere la cortadora si los dispositivos de seguridad están dañados. Si no lo hace, esto puede tener como resultado lesiones.
21. El silenciador y el motor se calientan y pueden producir quemaduras. No los toque.
22. Utilice solamente partes y accesorios fabricados especialmente para esta máquina, originales del fabricante (OEM). Si no lo hace, esto puede tener como resultado lesiones personales.
23. Para encender el motor, jale de la cuerda lentamente hasta que sienta resistencia, luego jale rápidamente. El repliegue rápido de la cuerda de arranque (tensión de retroceso) le jalará la mano y el brazo hacia el motor más rápido de lo que usted puede soltar. El resultado pueden ser huesos rotos, fracturas, hematomas o esguinces.
24. Si se presentan situaciones que no están previstas en este manual sea cuidadoso y use el sentido común. Marque para contactar el departamento de atención al cliente y obtener el nombre de su distribuidor más cercano.

## Funcionamiento en pendientes

Las pendientes son un factor importante que se relaciona con los accidentes producidos por derrapes y caídas y que pueden producir lesiones graves. La operación en pendientes requiere mayor precaución. Si no se siente seguro en una pendiente, no la pade. Para seguridad, use el medidor de pendientes que se incluye como parte de este manual para medir la pendiente antes de operar la unidad en una zona inclinada. Si la pendiente supera los 15 grados, no la pade.

### Haga lo siguiente:

1. Mueva la podadora a través de las caras de la pendiente, nunca hacia arriba y abajo. Tenga cuidado cuando cambie de dirección cuando opere la máquina en pendientes.
2. Esté atento a los agujeros, raíces, rocas, objetos ocultos o abultamientos que puedan provocar que se derrape o se tropiece. El césped alto puede ocultar obstáculos.
3. Siempre esté seguro de su equilibrio. Si tropieza y cae puede lesionarse gravemente. Si siente que pierde el equilibrio, suelte inmediatamente la manija de control de la cuchilla y la cuchilla dejará de girar en tres (3) segundos.

### No haga lo siguiente:

1. No corte el césped cerca de pozos, hundimientos, bancos, podría perder el equilibrio.
2. No pade pendientes mayores de 15 grados como lo indica el medidor de pendientes.
3. No pade el césped húmedo. Si no está firmemente parado, puede resbalarse.

## Niños

Pueden ocurrir accidentes trágicos si el operador no está atento a la presencia de niños. Por lo general a los niños les atraen las podadoras y la actividad de podar el césped. No entienden los riesgos ni los peligros. Nunca dé por sentado que los niños permanecerán en el mismo lugar donde los vio por última vez.

1. Mantenga a los niños fuera del área de trabajo y bajo estricta vigilancia de un adulto responsable además del operador.
2. Esté alerta y apague la podadora si un niño ingresa al área.
3. Antes y mientras se está moviendo hacia atrás, mire hacia atrás y cuide que no haya niños.
4. Tenga extrema precaución cuando se aproxime a esquinas ciegas, entradas de puertas, árboles u otros objetos que puedan obstaculizarle la vista de un niño que pudiese correr hacia la podadora.
5. Mantenga alejados a los niños de los motores en marcha o calientes. Pueden sufrir quemaduras con un silenciador caliente.
6. Nunca permita que niños menores de 14 años operen esta máquina. Los niños mayores de 14 años deben leer y entender las instrucciones de operación y reglas de seguridad contenidas en este manual y deben ser entrenados y supervisados por sus padres.

## Servicio

### Manejo seguro de la gasolina:

1. Para evitar lesiones personales o daños materiales sea sumamente cuidadoso al manipular la gasolina. La gasolina es altamente inflamable y los vapores son explosivos. Se puede lesionar gravemente si derrama gasolina sobre usted o sobre la ropa ya que se puede encender.
2. Utilice sólo recipientes para gasolina autorizados.
3. Nunca llene los contenedores en el interior de un vehículo o camión o caja de camioneta con recubrimientos plásticos. Coloque siempre los recipientes en el piso y lejos del vehículo antes de llenarlos.
4. Retire el equipo a gasolina del camión o remolque y llénelo en el piso. Si esto no es posible, entonces llene dicho equipo en un remolque con un recipiente portátil, en vez de desde un dispensador de gasolina.
5. Mantenga la boquilla de llenado en contacto con el borde de la entrada del tanque de gasolina o contenedor en todo momento hasta que esté lleno. No utilice un dispositivo para abrir/cerrar la boquilla.
6. Apague todos los cigarrillos, cigarras, pipas y otras fuentes de combustión.
7. Nunca cargue combustible en la máquina en interiores porque Los vapores inflamables podrían acumularse en el área.

8. Nunca saque la tapa del gas ni agregue combustible mientras el motor está caliente o en marcha. Deje que el motor se enfríe por lo menos dos minutos antes de volver a cargar combustible.
9. Nunca recargue el tanque de combustible. Llene el tanque no más de 1 pulgada por debajo de la base del cuello de llenado para dejar espacio para la expansión del combustible.
10. Vuelva a colocar la tapa de la gasolina y ajústela bien.
11. Limpie la gasolina derramada sobre el motor y el equipo. Traslade la máquina a otra zona. Espere 5 minutos antes de encender el motor.
12. Nunca almacene la máquina o el recipiente de combustible en un espacio cerrado donde haya fuego, chispas o aparatos con piloto como por ejemplo, calentadores de agua, calentadores, hornos, secadores de ropa u otros aparatos a gas.
13. Para reducir el riesgo de incendio mantenga la máquina limpia de pasto, hojas y de acumulación de otros escombros. Limpie los derrames de aceite o combustible y saque todos los desechos embebidos con combustible.
14. Deje que la máquina se enfríe 5 minutos por lo menos antes de almacenarla.

### Funcionamiento general:

1. Nunca encienda un motor en espacios cerrados o en una zona con poca ventilación. El escape del motor contiene monóxido de carbono, un gas inodoro y letal.
2. Antes de limpiar, reparar o inspeccionar la máquina, compruebe que la cuchilla y todas las partes que se mueven se han detenido. Desconecte el cable de la bujía y póngalo de manera que haga masa contra el motor para evitar que se encienda de manera accidental.
3. Revise los pernos de montaje de la cuchilla y del motor a intervalos frecuentes para verificar que estén bien apretados. Inspeccione además visualmente la cuchilla en busca de daños (abolladuras, desgaste, roturas, etc.). Reemplace la cuchilla con equipo original del fabricante (OEM) listado en este manual. "La utilización de partes que no cumplan con las especificaciones de equipos originales podría tener como resultado un rendimiento incorrecto y además la seguridad podría estar comprometida"
4. Las cuchillas de las podadoras son muy afiladas y podrían cortarlo. Envuelva la cuchilla o utilice guantes y extreme precauciones cuando le de servicio.
5. Mantenga todos los pernos, tuercas y tornillos bien ajustados para asegurarse que la máquina se encuentra en condiciones seguras de operación.
6. Nunca manipule los dispositivos de seguridad de manera imprudente. Controle periódicamente que funcionen de forma adecuada.
7. Después de golpear con algún objeto extraño, detenga el motor, desconecte el cable de la bujía y conecte el motor a masa. Inspeccione minuciosamente la máquina para determinar si está dañada. Repare el daño antes de encenderla y operarla.

8. Nunca trate de ajustar una rueda o la altura de corte mientras el motor está en marcha.
9. Los componentes de la tolva para recorte, cubierta de descarga y escudo de riel, están sujetos a desgaste y daños que podría dejar expuestas partes que se mueven o permitir que se arrojen objetos. Para proteger su seguridad, verifique frecuentemente todos los componentes y reemplácelos sólo con partes de los fabricantes de equipos originales (O.E.M.) listadas en este manual. "La utilización de partes que no cumplan con las especificaciones de equipos originales podría tener como resultado un rendimiento incorrecto y además la seguridad podría estar comprometida"
10. No cambie la configuración del regulador del motor ni acelere demasiado el mismo. El regulador controla la velocidad máxima segura de operación del motor.
11. Verifique frecuentemente la línea de combustible, el tanque, el tapón, y los accesorios buscando rajaduras o pérdidas. Reemplace de ser necesario.
12. No dé arranque al motor si no está la bujía de encendido.
13. Mantenga o reemplace las etiquetas de seguridad, según sea necesario.
14. Observe las leyes y normas aplicables para disponer adecuadamente de los desechos. La descarga inapropiada de líquidos o materiales puede dañar el medio ambiente.
15. Según la Comisión de Seguridad de Productos para el Consumidor de los Estados Unidos (CPSC) y la Agencia de Protección Ambiental de los Estados Unidos (EPA), este producto tiene una *vida útil media* de siete (7) años, ó 140 horas de funcionamiento. Al finalizar la *vida útil media*, adquiera una máquina nueva o haga inspeccionar anualmente ésta por un distribuidor de servicio autorizado para cerciorarse de que todos los sistemas mecánicos y de seguridad funcionan correctamente y no tienen excesivo desgaste. Si no lo hace, pueden producirse accidentes, lesiones o muerte.

## No modifique el motor

Para evitar lesiones graves o la muerte, no modifique el motor bajo ninguna circunstancia. Si cambia la configuración del regulador el motor puede descontrolarse y operar a velocidades inseguras. Nunca cambie la configuración de fábrica del regulador del motor.

## Aviso referido a emisiones

Los motores que están certificados y cumplen con las regulaciones de emisiones federales EPA y de California para SORE (Equipos pequeños todo terreno) están certificados para operar con gasolina común sin plomo y pueden incluir los siguientes sistemas de control de emisiones: Modificación de motor (EM) y catalizador de tres vías (TWC) si están equipados de esa manera.

## Guardachispas



**ADVERTENCIA:ESTA** máquina está equipada con un motor de combustión interna y no debe ser utilizada en o cerca de un terreno agreste cubierto por bosque, malezas o hierba excepto si el sistema de escape del motor está equipado con un amortiguador de chispas que cumpla con las leyes locales o estatales correspondientes, en caso de haberlas.










Si se utiliza un amortiguador de chispas el operador lo debe mantener en condiciones de uso adecuadas. En el Estado de California las medidas anteriormente mencionadas son exigidas por ley (Artículo 4442 del Código de Recursos Públicos de California). Es posible que existan leyes similares en otros estados. Las leyes federales se aplican en territorios federales.

Puede conseguir el amortiguador de chispas para el silenciador a través de su distribuidor autorizado de motores o poniéndose en contacto con el departamento de servicios, P.O. Box 361131 Cleveland, Ohio 44136-0019.



## Símbolos De Seguridad

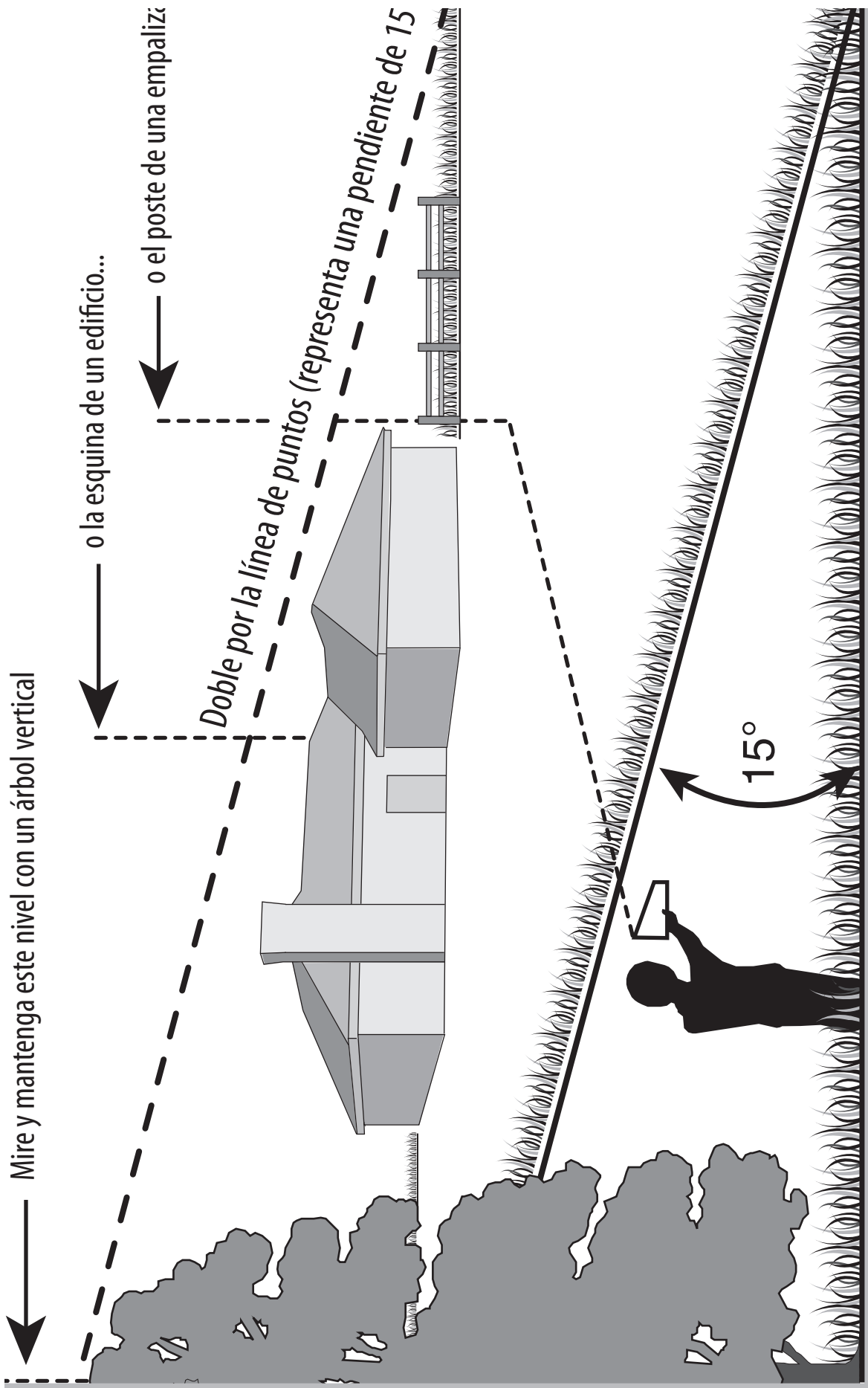
Esta página representa y describe la seguridad los símbolos que pueden parecer en este producto. Lea, comprenda, y siga todas instrucciones en la máquina antes procurar para reunir y operar.

Símbolo	Descripción
	<b>LEA EL MANUAL(S) DEL OPERADOR</b> Lea, comprenda, y siga todas instrucciones en el manual (manuales) antes procurar para reunir y operar.
	<b>PELIGRO— GIRANDO HOJAS</b> Para reducir el riesgo de herida, guarde manos y pies lejos. No funcione a menos que la tapa de descarga o el receptor de hierba estén en su lugar apropiado. De ser dañado, sustituya inmediatamente.
	<b>PELIGRO— ESPECTADORES</b> No siegue cuando los niños o los otros están alrededor.
	<b>PELIGRO— DÉ EL CORTE DE PIE/</b> Guarde manos y pies lejos de hacer girar partes.
	<b>PELIGRO— ESCOMBROS LANZADOS</b> Quite objetos que pueden ser lanzados por la lámina en cualquier dirección. Lleve gafas de seguridad.
	<b>PELIGRO— CUESTAS</b> Use extra la precaución en cuestas. No siegue cuestas mayores que 15 °.
	<b>ADVERTENCIA DESPIDA</b> Para reducir el riesgo de incendio mantenga la máquina limpia de pasto, hojas y de acumulación de otros escombros.
	<b>ADVERTENCIA VAPORES TÓXICOS</b> Nunca encienda un motor en espacios cerrados o en una zona con poca ventilación. El escape del motor contiene monóxido de carbono, un gas inodoro y letal.
	<b>ADVERTENCIA — SUPERFICIE CALIENTE</b> Las partes del motor, especialmente el silenciador, llega a ser muy caliente durante la operación. Permita motor y silenciador para ponerse frío antes de tocar.



**ADVERTENCIA:** Su responsabilidad—Restrinja el uso de esta máquina motorizada a las personas que lean, comprendan y respeten las advertencias e instrucciones que figuran en este manual y en la máquina.

**GUARDE ESTAS INSTRUCCIONES**



Use esta página como guía para determinar las inclinaciones de las pendientes en las que podría no tener una operación segura.



**WARNING:** No puede en inclinaciones mayores a 15 grados (elevación aproximada de 2 1/2 pies por cada 10 pies). Una podadora en movimiento podría voltearse y causar lesiones severas. Opere las podadoras MONTABLES arriba y abajo de las pendientes, nunca cruzando el frente de las pendientes. Opere las podadoras QUE SE EMPUJAN de manera que crucen el frente de las pendientes, nunca hacia arriba y hacia abajo.

## Contenido del cajón

- Una cortadora de césped
- Un tubo de drenaje de aceite
- Un acoplador de manguera para lavado de plataforma
- Un Manual del operador de la cortadora de césped
- Un Manual del operador del motor Briggs & Stratton

## Configuración de la cortadora de césped

### Extracción de la traba de seguridad utilizada en el envío



**¡ADVERTENCIA!** Asegúrese de que el motor de la cortadora de césped esté apagado. Quite la llave de encendido antes de retirar la traba de seguridad utilizada en el envío.

1. Localice la traba de seguridad que, si la hay, se encuentra en la parte derecha de la plataforma de corte. Vea la Fig. 3-1.

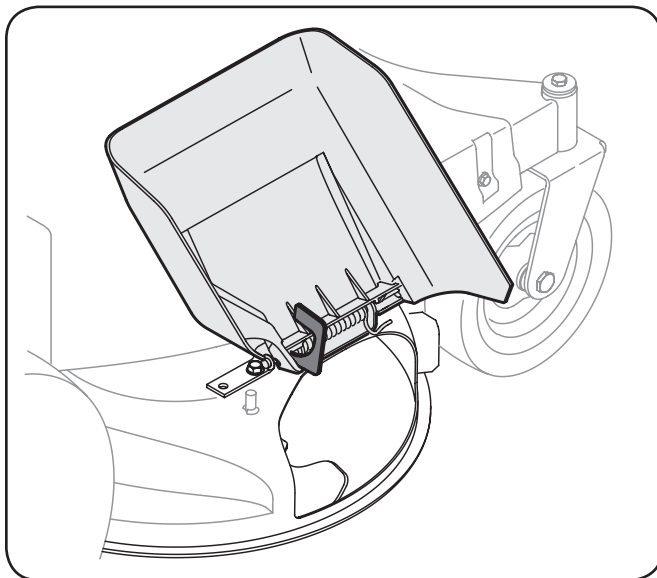


Figura 3-1

2. Mientras sostiene el canal de descarga con su mano izquierda, extraiga con la mano derecha la traba de seguridad, sujetándola entre los dedos pulgar e índice y rotándola en el sentido de las agujas del reloj.



**¡ADVERTENCIA!** La traba de seguridad se usa únicamente para el embalaje. Retire y deseche la traba antes de operar la cortadora de césped.



**¡ADVERTENCIA!** La plataforma de la cortadora de césped puede arrojar objetos. En caso de operar la cortadora de césped sin colocar la cubierta de descarga en la posición de funcionamiento adecuada, podrían producirse graves lesiones personales y/o daños materiales.

### Instalación del cable negativo de la batería

**NOTA:** El borne positivo de la batería está marcado como Pos (+). El borne negativo de la batería está marcado como Neg (-).

El cable positivo (grosso, de color rojo) viene de fábrica sujeto al borne positivo de la batería (+) por medio de un perno hexagonal y una tuerca hexagonal.

El cable negativo (grosso, de color negro) puede venir de fábrica sujeto al borne negativo de la batería. Si no se entrega unido, proceda del siguiente modo:

1. Retire el perno del carro y la tuerca hexagonal del cable negativo (cable negro grosso).

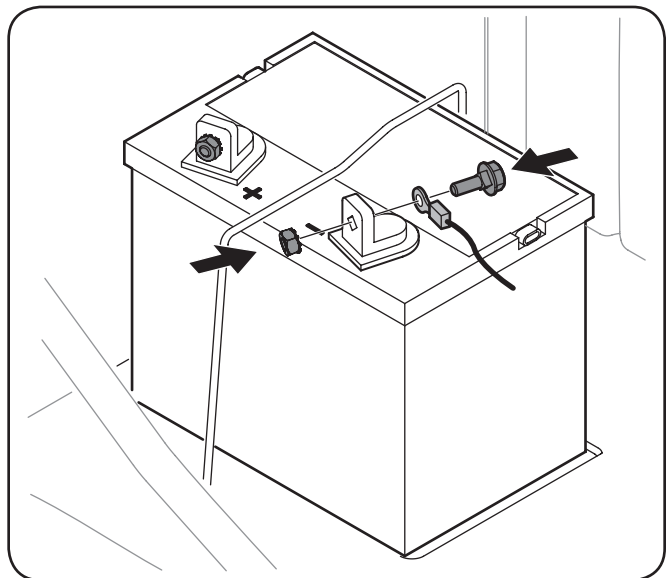


Figura 3-2

2. Retire la cubierta plástica negra, si es que está presente, del borne negativo de la batería y una el cable negativo al borne negativo de la batería (-) utilizando el perno y la tuerca hexagonal. Vea la Fig. 3-2.
3. Asegúrese de que la varilla de sujeción está colocada sobre la batería, manteniéndola en su lugar y asegúrese de que el borne positivo de la batería esté cubierto con el capuchón de goma rojo para protegerlo de la corrosión.

**NOTA:** Si la batería se pone en funcionamiento después de la fecha indicada en la parte superior o al costado de la misma, cárguela siguiendo las instrucciones de la sección Mantenimiento de este manual antes de hacer funcionar la cortadora.

## Despliegue de la manija

1. Extraiga las perillas en estrella y los tornillos del carro de la manija inferior. Vea la Fig. 3-3.

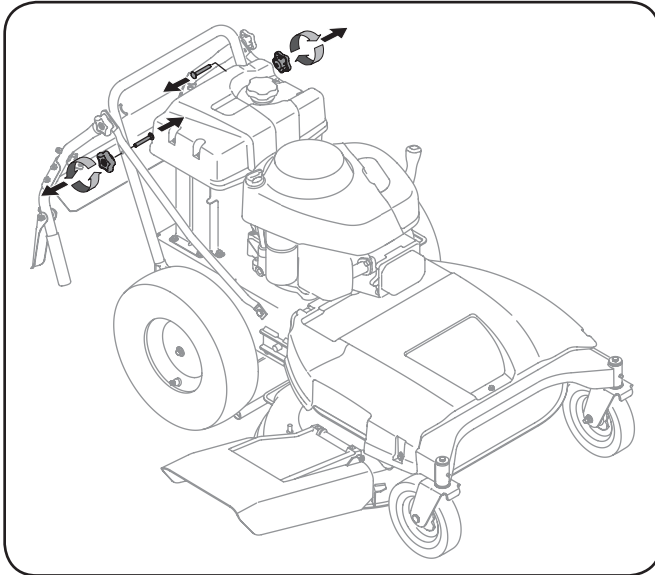


Figura 3-3

2. Gire la manija superior a la posición de funcionamiento. Tenga cuidado de no presionar los cables. Vea la Fig. 3-4.

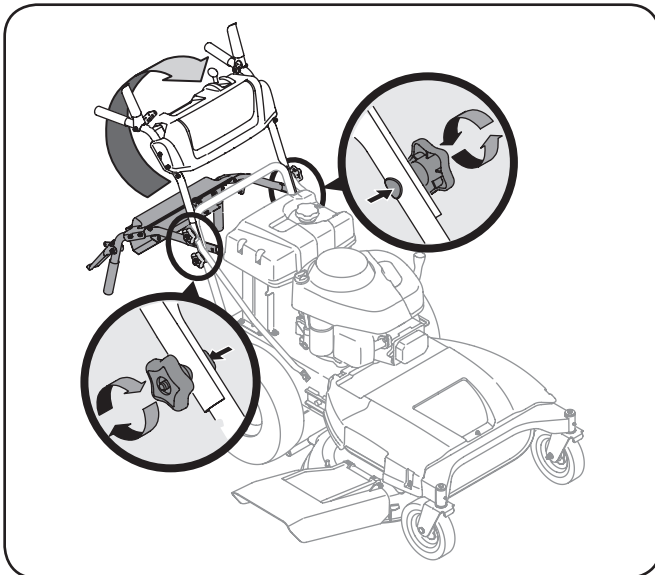


Figura 3-4

3. Vuelva a instalar los tornillos del carro y las perillas extraídos anteriormente.
4. Ajuste las perillas en estrella superiores e inferiores y los tornillos del carro para asegurar la manija superior a la inferior. Vea la Fig. 3-4.
5. Después de armar la manija, para extraer con seguridad la unidad del pálet, saque primero los tornillos que fijan la cortadora al cajón.

## Colocación de la palanca de cambios

1. Extraiga el tornillo y la tuerca de seguridad que sujetan la palanca de cambios a la placa de la palanca de cambios. Vea la Fig. 3-5.
2. Extraiga el tornillo y la tuerca restantes de la placa de la palanca de cambios inferior. Vea la Fig. 3-5.

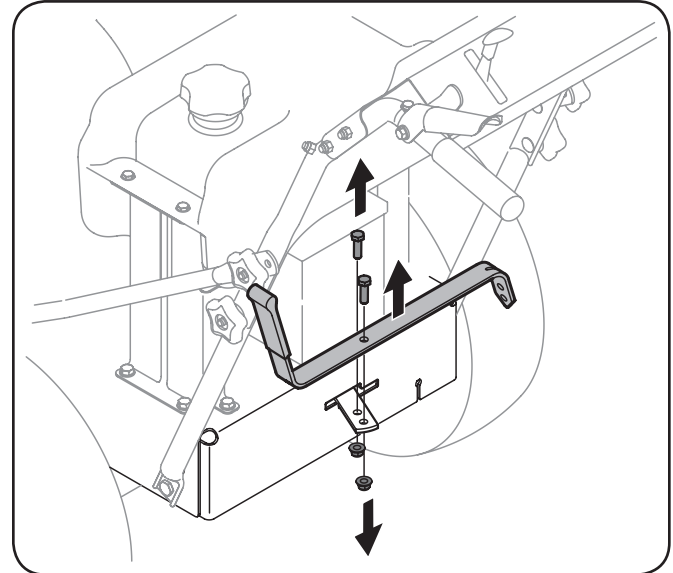


Figura 3-5

3. Coloque la palanca de cambios superior en posición vertical alineando los orificios de la palanca con los de la placa de cambios. Vea la Fig. 3-6.

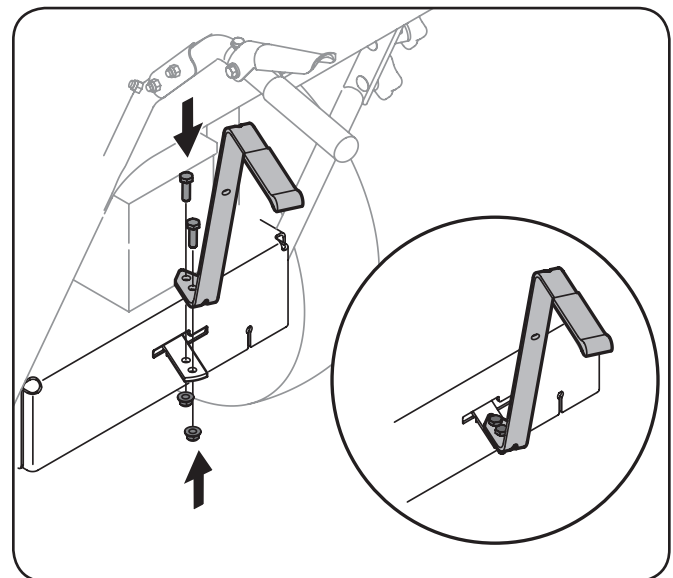


Figura 3-6

4. Asegure la palanca a la placa usando los dos tornillos y las dos tuercas extraídos anteriormente. Vea el recuadro de la Fig. 3-6.

## Control de la presión de los neumáticos



**¡ADVERTENCIA!** La presión máxima de los neumáticos en cualquier circunstancia es de 30 psi. Se debe mantener una presión uniforme para todos los neumáticos en todo momento.

Es posible que los neumáticos traseros hayan sido excesivamente inflados para despachar el producto. Reduzca la presión de los neumáticos antes de hacer funcionar la cortadora. La presión de neumáticos recomendada para el funcionamiento es de aproximadamente 20 p.s.i.

Consulte en los laterales de los neumáticos la presión máxima en p.s.i.

## Gasolina y aceite

El tanque de combustible tiene capacidad para dos galones. Quite la tapa de combustible girándola en sentido contrario al de las agujas del reloj. Utilice únicamente gasolina limpia, nueva (no más de 30 días de uso) y sin plomo. Llene el tanque a no más de cuatro pulgadas por debajo del borde superior del cuello de llenado para permitir la expansión del combustible.



**ADVERTENCIA:** Tenga mucho cuidado al trabajar con gasolina. La gasolina es sumamente inflamable y sus vapores pueden causar explosiones. Nunca agregue combustible a la máquina en interiores ni mientras el motor está caliente o en funcionamiento. Apague cigarrillos, cigarros, pipas y otras fuentes de combustión.

**NOTA:** Su cortadora de césped se despacha con aceite en el motor. Sin embargo, usted DEBE controlar el nivel de aceite antes de hacerlo funcionar.



**PRECAUCIÓN:** Controle siempre el nivel de aceite del motor antes de cada uso según las instrucciones del Manual del propietario de *Briggs and Stratton*. Agregue aceite según sea necesario. De no hacerlo se pueden producir daños graves al motor.

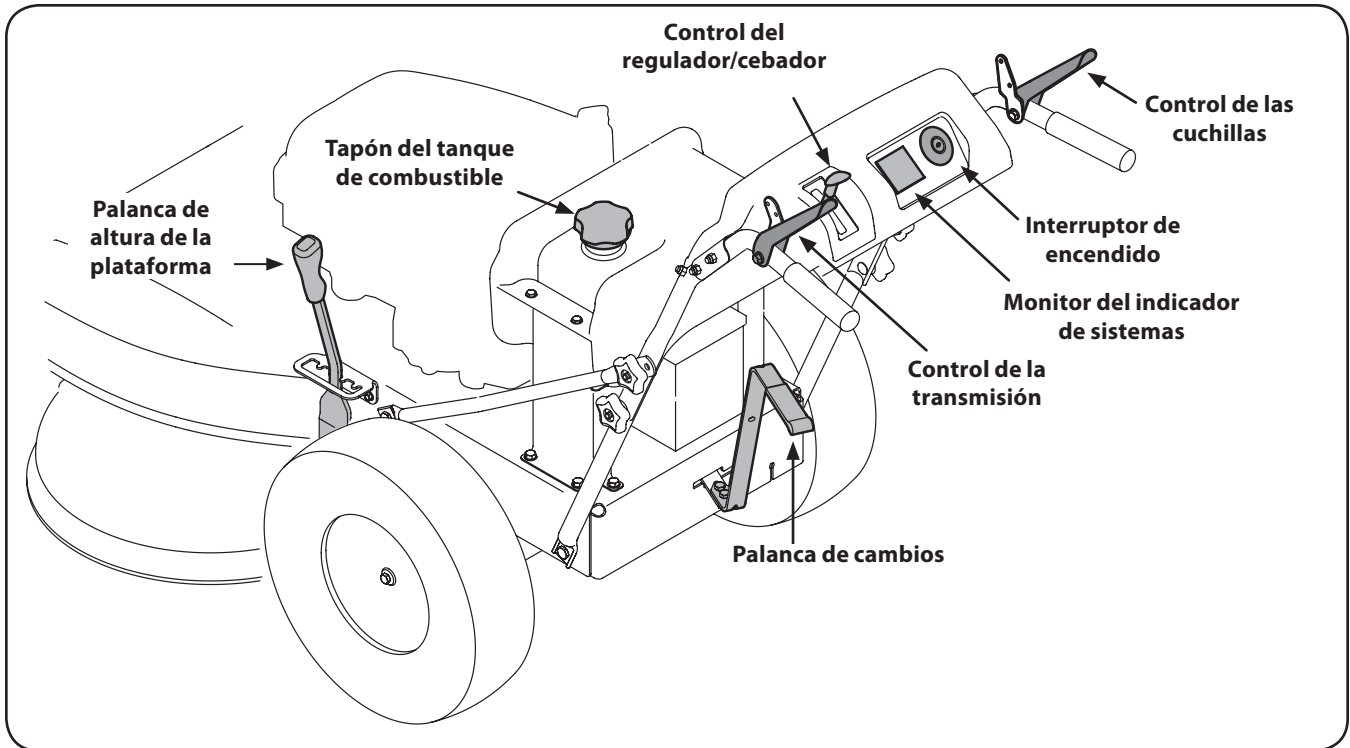


Figura 4-1

Los controles y características de la cortadora de césped se ilustran en la Figura 4-1 y se describen en las páginas siguientes.



**¡ADVERTENCIA!** Lea y respete todas las normas de seguridad y las instrucciones de este manual, incluida la sección Funcionamiento en su totalidad, antes de intentar operar esta máquina. Si no respeta todas las normas de seguridad y las instrucciones puede provocar lesiones personales.

## Control del regulador/cebador

**Nota:** Cuando opere la cortadora de césped con la plataforma de corte colocada, asegúrese de que el control del regulador/cebador esté siempre en la posición de velocidad rápida.

El control del regulador / cebador se usa para regular la velocidad del motor, para activar el cebador del motor, y para detener el motor. Haga funcionar el motor siempre con la palanca de control del regulador / cebador en la posición de velocidad rápida para obtener mejores resultados de corte.

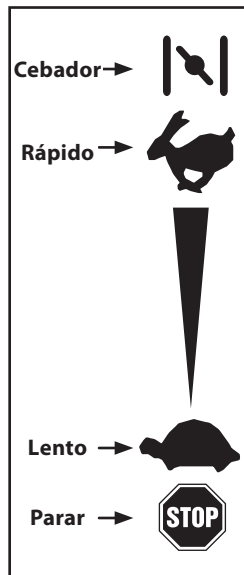
**Cebador:** Utilícelo para arrancar un motor frío

**Rápido:** Use durante el funcionamiento de la cortadora.

**Lento:** Uso durante la marcha al ralentí.

**Parar:** Detiene el motor.

Consulte Arranque del motor en la sección Funcionamiento de este manual para ver instrucciones de arranque detalladas.



## Motor

Consulte el Manual del propietario de Briggs & Stratton para obtener información sobre los controles y características relacionados con el motor.

## Palanca de altura de la plataforma

Use esta palanca para ajustar la altura de corte de la plataforma. Para usarla, mueva la palanca hacia la izquierda, luego colóquela en la muesca que mejor se adapte a la aplicación deseada.



## Interruptor de encendido



**¡ADVERTENCIA!** Nunca deje la máquina en funcionamiento sin vigilancia. Siempre desenganche las cuchillas, apague el motor y retire la llave, para evitar el encendido accidental del motor.

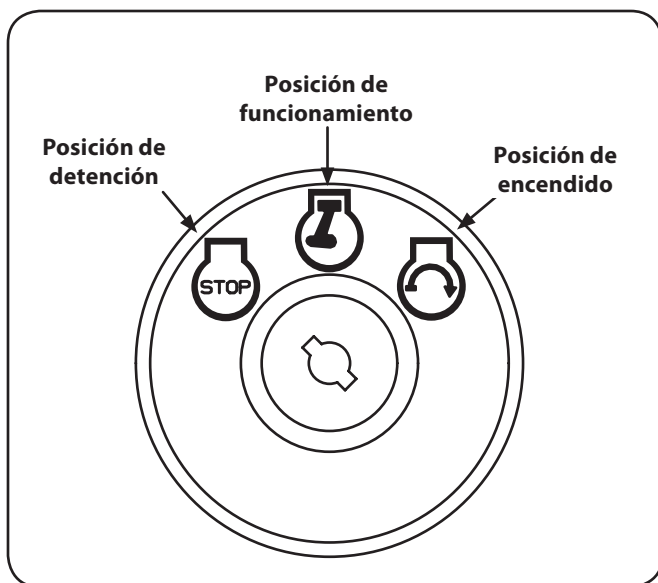


Figura 4-2

El interruptor de tres posiciones se usa para encender y apagar el motor de los modelos con arranque eléctrico. Para encender el motor, inserte la llave en el interruptor de encendido y gírela en el sentido de las agujas del reloj hacia la posición **START** (encendido). Suelte la llave en la posición **RUN** (funcionamiento) una vez que haya arrancado el motor. Para detener el motor, gire la llave a **STOP** (parar).



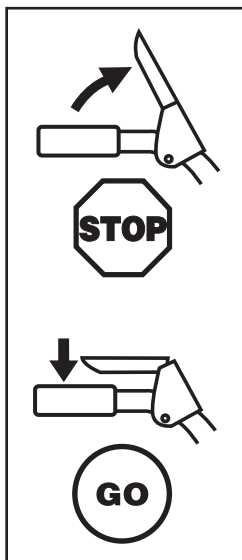
**PRECAUCIÓN:** Nunca mueva la llave a la posición Start (encendido) mientras el motor está funcionando; si lo hace, puede ocasionar daños al arrancador del motor.

## Control de la transmisión

El control de la transmisión se usa para enganchar y desenganchar la transmisión de las ruedas. Para enganchar este control, apriete el control de la transmisión contra la empuñadura de la barra de control. Para detener la transmisión, suelte el control de la transmisión.



**PRECAUCIÓN:** Suelte siempre el control de la transmisión antes de cambiar de velocidad. De lo contrario puede ocasionar graves daños a la transmisión.



## Control de las cuchillas

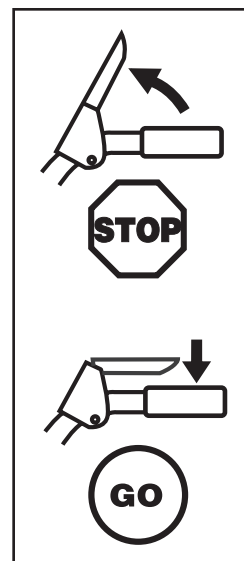
Ubicado en la manija derecha, el control de las cuchillas se usa para enganchar la plataforma de corte. Para operar este control, presione y retenga la palanca contra la empuñadura de la barra de control. Para detener las cuchillas, suelte el control de las cuchillas.



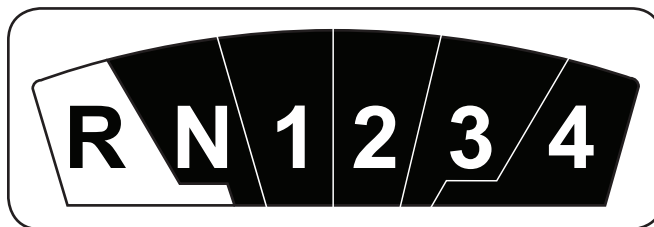
**¡ADVERTENCIA!** Nunca intente detener el motor con el control de las cuchillas enganchado.



**PRECAUCIÓN:** Suelte siempre el control de las cuchillas antes de arrancar el motor. De lo contrario puede ocasionar desgaste prematuro al arranque eléctrico del motor.



## Palanca de cambios



Use esta palanca para seleccionar una de cuatro velocidades de marcha directa, neutral o marcha atrás.

### Marcha directa

Dispone de cuatro velocidades de marcha directa. La posición uno (1) es la más lenta, y la posición cuatro (4) es la más rápida.

### Marcha atrás

Para seleccionar marcha atrás, ponga la palanca en la posición de reversa (R).



**ADVERTENCIA:** Mire detrás de la cortadora antes y durante el funcionamiento marcha atrás. Detenga las cuchillas de la cortadora antes de operar marcha atrás.

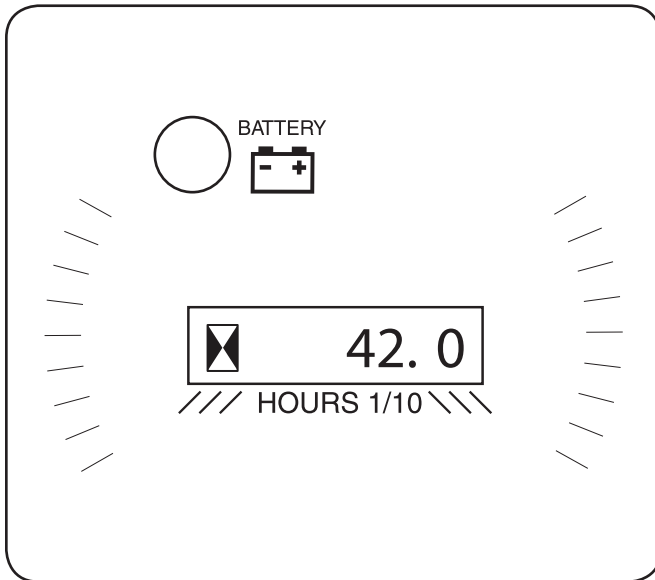
### Neutral

Ponga la palanca en neutral (N) antes de arrancarla y cuando la cortadora no está en uso. Además, se puede empujar o tirar de la cortadora manualmente colocando la palanca de cambios en la posición N (neutral) y presionando el control de la transmisión contra la empuñadura de la barra de control.



**PRECAUCIÓN:** Suelte siempre el control de la transmisión antes de cambiar de velocidad. De lo contrario puede ocasionar graves daños a la transmisión.

## Monitor indicador de sistemas/ medidor horario



### LCD (pantalla de cristal líquido)

Cuando la llave de encendido se rota fuera de la posición STOP (parar) pero no se coloca en la posición START (encendido), el monitor indicador de sistemas muestra la salida de la batería, en voltios, en su pantalla LCD durante aproximadamente cinco segundos, y después muestra un reloj de arena y las horas de funcionamiento de la cortadora. Una vez que el motor ha arrancado, el monitor muestra continuamente un reloj de arena y las horas de funcionamiento de la cortadora en la pantalla.

**NOTA:** Las horas de funcionamiento de la cortadora se registran cada vez que la llave de encendido se rota fuera de la posición STOP (detener), independientemente de que se haya arrancado el motor.

El monitor indicador también le recuerda al operador los intervalos de mantenimiento para cambiar el aceite del motor. La pantalla de cristal líquido parpadea alternativamente las horas registradas, "CHG" (cambiar) y "OIL" (aceite) durante cinco minutos, después de cada 50 horas de operación registrada. El intervalo de mantenimiento dura dos horas (entre 50-52, 100-102, 150-152, etc.) La pantalla LCD también parpadea según se describe más arriba, durante cinco minutos, cada vez que el motor de la cortadora se enciende durante el intervalo de mantenimiento. Antes de que finalice el intervalo, cambie el nivel de aceite del motor según se indica en la sección Mantenimiento de este Manual del Operador.

### Batería

Es normal que la luz de la batería se ilumine cuando el motor está girando durante el arranque, pero si se ilumina durante la operación, cuando el motor está funcionando, la batería necesita carga o el sistema de carga del motor no está generando amperaje suficiente. Controle la batería como se indica en la sección Servicio de este manual o haga que el sistema de carga sea verificado por su distribuidor Cub Cadet .



## Encendido del motor

Consulte la sección Configuración y Montaje de este manual para obtener instrucciones sobre el llenado de aceite y gasolina.

1. Suelte todos los controles de la cortadora.
2. Mueva la palanca de cambios a la posición neutral (N).
3. Inserte la llave en el interruptor de encendido.
4. Si el motor está frío, mueva el control del regulador/cebador completamente hacia delante, a la posición CHOKE (cebador). Si está volviendo a arrancar un motor caliente, mueva el control del regulador/cebador a la posición FAST (velocidad rápida, representada por una liebre).
5. Gire la llave de encendido en el sentido de las agujas del reloj hasta la posición START (encendido). Una vez que arranque el motor, suelte la llave. Volverá a la posición RUN (funcionamiento).



**PRECAUCIÓN:** NO mantenga la llave en la posición START (encendido) durante más de cinco segundos por vez. Si lo hace, puede ocasionar daños al arrancador eléctrico del motor.

6. Mueva el control del regulador/cebador a la posición Fast (velocidad rápida, representada por una liebre).

**NOTA:** Nunca deje el control del regulador/cebador en la posición CHOKE (cebador) mientras opera la cortadora. Si lo hace, se generará una mezcla "rica" de combustibles, lo cual hará que el motor pierda potencia.

## Detención del motor



**¡ADVERTENCIA!** Si golpea un objeto extraño, detenga el motor y saque la llave de encendido. Inspeccione minuciosamente la máquina para ver si está dañada. Repare el daño antes de volver a arrancar el motor y operar la máquina.

1. Si las cuchillas están enganchadas, suelte el control de las cuchillas.
2. Mueva el control del regulador/cebador a la posición STOP (parar)
3. Gire la llave de encendido en sentido contrario a las agujas del reloj a la posición STOP (parar).
4. Retire la llave del interruptor de encendido para evitar que el motor se encienda accidentalmente.

## Enganche de la transmisión



**¡ADVERTENCIA!** Evite arrancar súbitamente, desarrollar excesiva velocidad y detenerse de repente.

1. Encienda el motor según las instrucciones anteriores y mueva el control del regulador/cebador a la posición FAST (velocidad rápida, representada por una liebre).
2. Para conducir hacia ADELANTE:
  - a. Coloque la palanca de cambios en cualquiera de las cuatro velocidades de avance. Seleccione una velocidad adecuada a las condiciones y con la cual se sienta cómodo.
  - b. Oprima el control de la transmisión.
  - c. Oprima lentamente el control de la transmisión contra la manija de la empuñadura y la cortadora se moverá. Suéltelo y se detendrá el movimiento de la transmisión.

Para conducir hacia ATRÁS:

- a. Verifique que el área detrás suyo está despejada.
- b. Coloque la palanca de cambios en marcha atrás (R).
- c. Oprima lentamente el control de la transmisión contra la manija de la empuñadura y la cortadora se moverá. Suéltelo y se detendrá el movimiento de la transmisión.



**PRECAUCIÓN:** NO intente cambiar la dirección de desplazamiento mientras la cortadora está en movimiento. Siempre debe soltar el control de la transmisión y detener la cortadora totalmente antes de mover la palanca de cambios de una posición de avance a Marcha atrás. De lo contrario puede ocasionar graves daños a la transmisión.



**¡ADVERTENCIA!** No deje la posición del operador sin antes soltar el control de las cuchillas. Si deja la cortadora sin vigilancia, debe apagar el motor y retirar la llave de encendido.

## Enganche de las cuchillas



**¡ADVERTENCIA!** Para tratar de evitar el contacto con las cuchillas o una lesión por algún objeto que sea arrojado, mantenga a los observadores, a los ayudantes, niños y mascotas alejados al menos 25 metros de la máquina mientras está en funcionamiento. Detenga la máquina si alguien se acerca.

1. Mueva el control del regulador/cebador a la posición FAST (velocidad rápida, representada por una liebre).
2. Oprima lentamente el control de las cuchillas contra la empuñadura de la manija derecha y la cortadora se moverá. Suéltela y las cuchillas se detendrán.

## Funcionamiento en pendiente

Consulte la sección INDICADOR DE PENDIENTE de la página 7 para determinar en qué pendientes puede operar la cortadora con seguridad.



**¡ADVERTENCIA!** No corte en pendientes con una inclinación de más de 15 grados (elevación aproximada de 2 1/2 pies por cada 10 pies). La cortadora podría voltearse y causar lesiones graves.

- Mueva la podadora a través de las caras de la pendiente, nunca hacia arriba y abajo. Tenga cuidado cuando cambie de dirección cuando opere la máquina en pendientes.
- Esté atento a los agujeros, raíces, rocas, objetos ocultos o abultamientos que puedan provocar que se derrape o se tropiece. El césped alto puede ocultar obstáculos.
- Siempre esté seguro de su equilibrio. Si tropieza y cae puede lesionarse gravemente. Si siente que pierde el equilibrio, suelte inmediatamente la manija de control de la cuchilla y la cuchilla dejará de girar en tres (3) segundos.
- No corte el césped cerca de pozos, hundimientos, bancos, podría perder el equilibrio.
- No opere pendientes mayores de 15 grados como lo indica el medidor de pendientes.
- No opere el césped húmedo. Si no está firmemente parado, puede resbalarse.

## Uso de la palanca de altura de la plataforma

Para subir o bajar la plataforma de corte, mueva la palanca de altura de la plataforma hacia la izquierda y colóquela en la muesca que mejor se adapte a la aplicación deseada.

## Corte de césped

La siguiente información le resultará útil para operar la cortadora.



**¡ADVERTENCIA!** Planifique el patrón de corte, para evitar que la descarga de materiales se realice hacia los caminos, las veredas, los observadores, etc. Evite además descargar material contra una pared u obstrucción que podría hacer que el material descargado rebote contra el operador.

- No corte a alta velocidad, especialmente si se ha instalado un kit para abono o un colector de césped.
- No corte el césped demasiado corto. El césped corto alienta el crecimiento de malezas y se pone amarillo rápidamente cuando escasea la lluvia.
- Siempre haga funcionar la cortadora con el control del regulador/cebador en la posición FAST (rápida, representada por una liebre) mientras corta el césped.
- Para obtener los mejores resultados, se recomienda realizar los dos primeros cortes de césped arrojando la descarga hacia el centro. Después de las dos primeras vueltas, cambie la dirección para arrojar la descarga hacia afuera, para equilibrar el corte. Esto otorgará un mejor aspecto al césped.
- NO intente cortar malezas frondosas o césped extremadamente alto. La cortadora fue diseñada para cortar el césped, NO para podar malezas.
- Mantenga las cuchillas afiladas y reemplácelas cuando se desgasten.



**¡ADVERTENCIA!** Después de golpear algún objeto extraño, detenga el motor, desconecte el cable de la bujía y conéctelo a tierra con el motor. Inspeccione minuciosamente la máquina para determinar si está dañada. Controle siempre la correa de sincronización de la cuchilla como se indica en la sección Mantenimiento de este manual. Repare el daño antes de encenderla y hacer funcionar la cortadora.

## Abono

Las cortadoras de césped anchas Cub Cadet vienen equipadas con un kit para abono que incorpora cuchillas especiales, que vienen de serie en su cortadora, para recircular los recortes de césped repetidas veces por debajo de la plataforma de corte. Los recortes muy finos luego son despedidos hacia atrás para que se depositen en el césped y actúen como fertilizante natural. Observe los siguientes puntos para obtener los mejores resultados al realizar el abono.

- Nunca intente realizar el abono si el césped está húmedo. El césped húmedo tiende a adherirse al lado inferior de la plataforma de corte e impide el proceso adecuado de los recortes de césped como abono.
- NO intente realizar el abono a más de 1/3 de la altura total del césped. De lo contrario los recortes de césped se amontonarán formando terrones debajo de la plataforma y no se procesarán eficazmente como abono.
- Mantenga una velocidad absoluta lenta para permitir que los recortes de césped se procesen eficazmente como abono.
- Siempre mantenga la palanca de control del regulador en la posición FAST (velocidad rápida, representada por una liebre) mientras corta el césped. Si el motor no se mantiene con el regulador a pleno se somete al motor de la cortadora a un esfuerzo que no permite que las cuchillas procesen adecuadamente los recortes de césped que se usarán de abono.

## Instalación / Extracción de la tolva de abono



**¡ADVERTENCIA!** Antes de instalar o extraer la clavija de abono, desenganche las cuchillas, apague el motor y retire la llave, para evitar que alguien encienda accidentalmente el motor.

1. Detenga el motor y espera que todas las piezas dejen de moverse.

### Instalación de la tolva de abono

1. Inserte la lengüeta derecha (A) de la clavija en el soporte de la plataforma. Vea la Fig. 5-1.
2. Inserte la clavija de abono en la abertura de descarga (B). Vea la Fig. 5-1.
3. Una vez colocada en la abertura de la plataforma, empuje la clavija hacia la parte posterior de la cortadora (C) para fijarla en su lugar. Vea la Fig. 5-1.

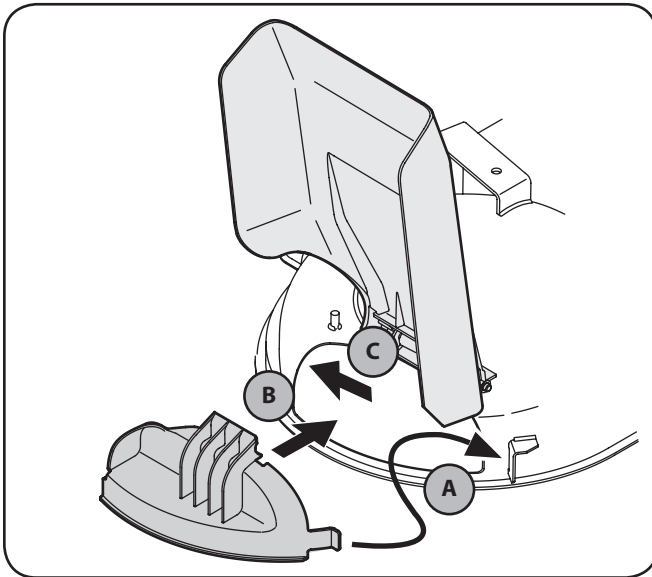


Figura 5-1

### Extracción de la tolva de abono

1. Deslice la clavija hacia la derecha (hacia la parte delantera de la cortadora) para desenganchar la ranura de la plataforma de la cortadora y luego fuerce el lado izquierdo de la clavija hacia fuera.

## Mantenimiento



**¡ADVERTENCIA!** Antes de realizar cualquier mantenimiento o reparación, desconecte las cuchillas, apague el motor y retire la llave para evitar el encendido accidental del motor.

### Motor

Consulte las instrucciones y procedimientos de mantenimiento del motor en el Manual del propietario Briggs & Stratton.

**NOTA:** El mantenimiento, reparación o reemplazo de los dispositivos y sistemas del control de emisiones, que corre por cuenta del cliente, puede realizarlo cualquier establecimiento o individuo especializado en reparaciones de motores. **Las reparaciones cubiertas por la garantía deben ser llevadas a cabo por un distribuidor de Cub Cadet.**

### Cambio de aceite del motor



**¡ADVERTENCIA!** Si el motor se ha puesto en funcionamiento recientemente, el motor, silenciador y las superficies metálicas circundantes estarán calientes y pueden causar quemaduras a la piel. Tenga precaución para evitar quemaduras.

1. Ponga el motor en marcha durante unos minutos para permitir que el aceite del cárter del motor se caliente. El aceite caliente circulará más libremente y transportará más del sedimento del motor que puede haberse depositado en la fondo del cárter. Tenga cuidado y evite quemarse con el aceite caliente.
2. Extraiga la perilla en estrella superior y el tornillo del carro del lado derecho de la manija. Vea la Fig. 5-1.

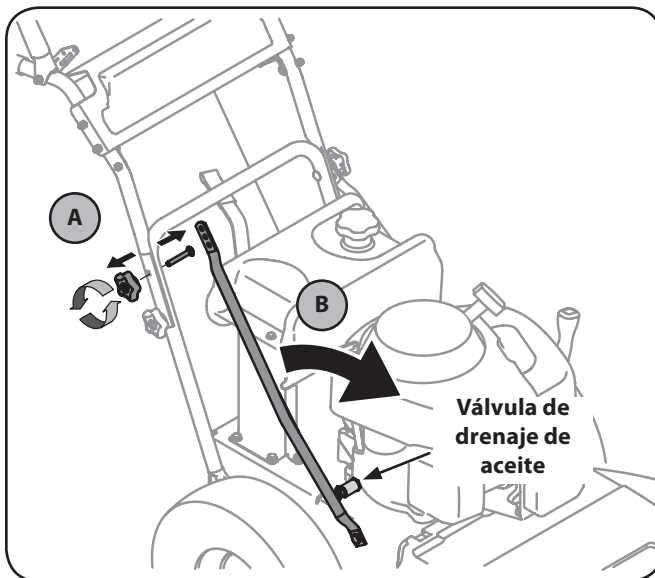


Figura 6-1

3. Gire el tubo de soporte hacia el frente para tener lugar para conectar la manguera de drenaje de aceite a la válvula de drenaje. Vea la Fig. 6-1.6

4. Abra el tapón protector en el extremo de la válvula de drenaje de aceite para dejar expuesto el orificio de drenaje. Vea la Fig. 6-2.

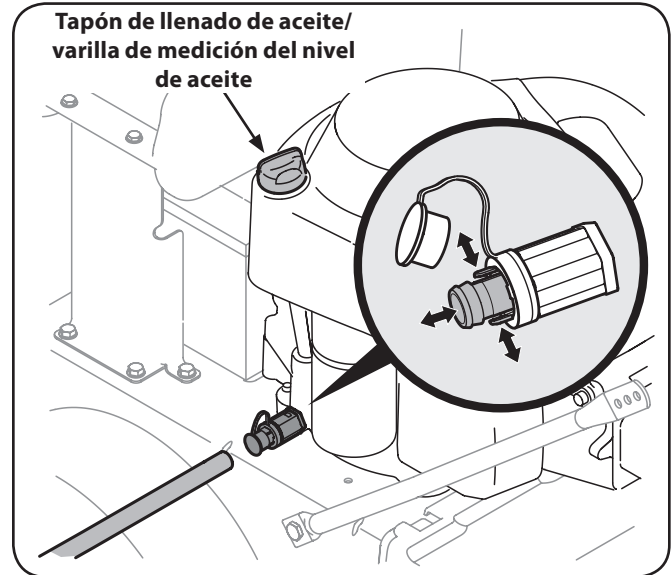


Figura 6-2

5. Retire el tapón de llenado de aceite/la varilla de nivel de aceite del tubo de llenado.
6. Inserte la manguera de drenaje de aceite (embalada con este manual) dentro del orificio de drenaje de aceite. Coloque el extremo opuesto de la manguera en un recipiente de recolección de aceite adecuado con capacidad para por lo menos 2,5 cuartos de galón (2,4 litros) para recoger el aceite usado.
7. Apriete las lengüetas de la válvula de drenaje de aceite, luego tire hacia afuera para comenzar a drenar el aceite. Vea la Fig. 6-2.
8. Cuando termine de drenar el aceite, empuje el extremo de la válvula de drenaje de aceite hacia adentro, hasta que las lengüetas calcen en su lugar. Vuelva a tapar el extremo de la válvula de drenaje para evitar que entren residuos en el orificio de drenaje.
9. Vuelva a llenar el motor con aceite nuevo. Consulte el Manual del propietario Briggs & Stratton para ver información sobre el volumen y peso del aceite de motor.

### Depurador de aire

Realice el servicio de mantenimiento del prefiltro y del elemento del depurador de aire/cartucho según las instrucciones del Manual del propietario de Briggs & Stratton.

### Bujía de encendido

Se debe limpiar la bujía y reajustar la separación una vez por temporada. Consulte el tipo de bujía correcta y las especificaciones de separación en el Manual del propietario Briggs & Stratton.

## Batería



### ADVERTENCIA PROPOSICIÓN 65 DE CALIFORNIA:

Los bornes de la batería y los accesorios afines contienen plomo y compuestos de plomo, sustancias químicas que según lo establecido por el Estado de California causan cáncer y daños en el sistema reproductivo. Lávese las manos después de estar en contacto con estos componentes.

La batería está sellada y no necesita mantenimiento. Los niveles de ácido no se pueden controlar y no se puede agregar líquido.

- Siempre mantenga limpios y libres de acumulación de elementos corrosivos los cables y los bornes de la batería.
- Después de limpiar la batería y los bornes, aplique una capa delgada de vaselina o grasa a ambos bornes.



**PRECAUCIÓN:** Si extrae la batería para limpiarla, desconecte primero el cable NEGATIVO (negro) de su borne y a continuación el cable POSITIVO (rojo). Cuando vuelva a instalar la batería, conecte siempre primero el cable POSITIVO (rojo) a su borne, y a continuación el cable NEGATIVO (negro). Asegúrese de que los cables estén conectados a los terminales correctos, ya que si los invierte puede causar daños graves al sistema alternador del motor.

## Presión de los neumáticos



**¡ADVERTENCIA!** La presión máxima de los neumáticos en cualquier circunstancia es de 30 psi. Se debe mantener una presión uniforme para todos los neumáticos en todo momento.

Verifique periódicamente la presión de ambos neumáticos traseros de la cortadora. Si la presión de los neumáticos no es uniforme, la plataforma cortará el césped en forma despareja y se puede desviar a izquierda o derecha durante la operación. Recommended operating tire pressure is approximately 20 p.s.i. Check the sidewall of tire for maximum p.s.i..

## Limpieza de la cortadora

Si se derrama combustible o aceite sobre la máquina, debe limpiarse de inmediato. NO permita que se acumulen desechos alrededor de las aletas de refrigeración del motor, el ventilador de refrigeración de la transmisión ni en ninguna otra parte de la máquina, especialmente las correas y poleas.

### Smart Jet™

La plataforma de la cortadora tiene un puerto de agua sobre la superficie como parte de su sistema de lavado.

Utilice el Smart Jet™ para desalojar los recortes de césped de la parte inferior de la plataforma e impedir la acumulación de sustancias químicas corrosivas. Realice los siguientes pasos DESPUÉS DE CADA CORTE DE CÉSPED:



**¡ADVERTENCIA!** Antes de usar el sistema de lavado de la plataforma, debe desenganchar el control de la cuchilla, apagar el motor y sacar la llave para evitar el encendido accidental del motor.

1. Coloque la cortadora en una zona nivelada y despejada del césped, suficientemente cerca para que la manguera del jardín alcance.



**PRECAUCIÓN:** Asegúrese de que el canal de descarga de la cortadora está orientado ALEJADO de la casa, el garaje, los vehículos estacionados, etc.

2. Enrosque el acople de la manguera (embalado con el Manual del operador de la cortadora) en el extremo de la manguera de jardín.
3. Una el acople de la manguera al puerto de agua que se encuentra en la superficie de la plataforma. Vea la Fig. 6-2.

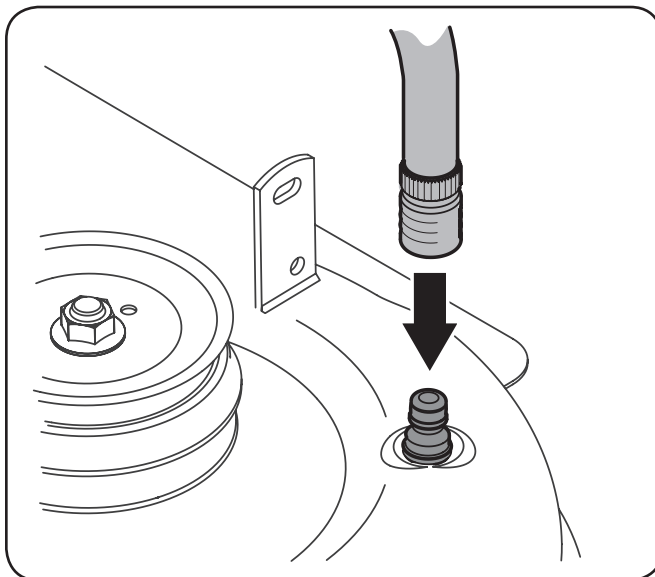


Figura 6-2

5. Abra el suministro de agua.
6. Encienda el motor y coloque la palanca del regulador en la posición RÁPIDO (fast, representada por una liebre).
7. Desde la posición del operador detrás de la cortadora, coloque el control de las cuchillas en la posición ON (encendido).
8. Permanezca en la posición del operador con la plataforma de corte enganchada durante dos minutos como mínimo, permitiendo que la parte inferior de la plataforma de corte se lave a fondo.
9. Mueva el control de las cuchillas a la posición OFF (apagado).
10. Gire la llave de encendido a la posición STOP (detener) para apagar el motor de la cortadora.
11. Desconecte el agua y retire el acoplador de la manguera del puerto de agua que se encuentra en la superficie de la plataforma.

Después de limpiar la plataforma con el sistema Smart Jet™, regrese a la posición del operador y enganche las cuchillas. Mantenga la plataforma de corte en funcionamiento durante dos minutos por lo menos para permitir que se seque totalmente la parte inferior de la misma.

## Lubricación



**¡ADVERTENCIA!** Antes de lubricar, reparar o inspeccionar, desconecte la potencia de arranque (PTO), coloque el freno de mano, apague el motor y retire la llave, para evitar el encendido accidental del motor.

### Puntos de pivote y varillaje

Lubrique todos los puntos de pivote del sistema de transmisión y el varillaje de elevación con aceite ligero por lo menos una vez por temporada.

### Ruedas traseras

Las ruedas traseras se deben sacar de los ejes una vez por temporada. Lubrique bien los ejes y las llantas con grasa multiuso antes de volver a instalarlos.

### Ruedas delanteras

Cada uno de los ejes y rueditas de la rueda delantera viene equipado con un accesorio de engrase. Lubrique con grasa multiuso No. 2 aplicada con una pistola de engrasar cada 50 horas de funcionamiento de la cortadora.

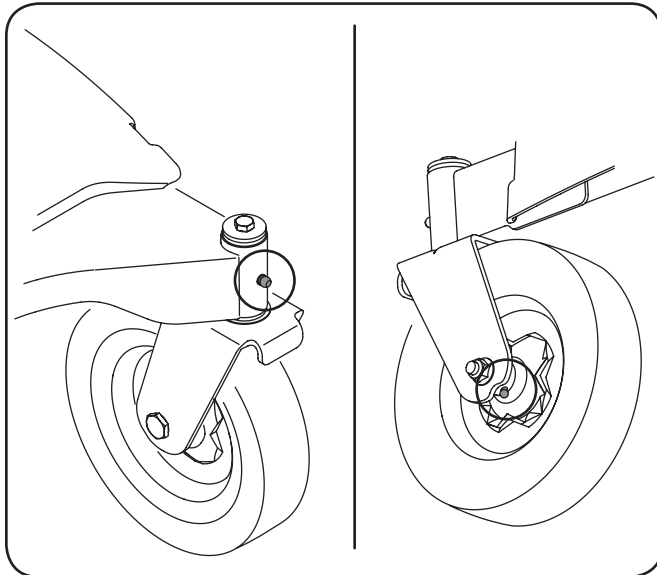


Figura 6-3

## Husillos de plataforma

Los accesorios de engrase se pueden encontrar en cada husillo de la plataforma. Vea la Figura 6-4. Lubrique con grasa 251H EP o con una grasa de litio multiuso No. 2 equivalente. Con una pistola de engrasar, haga dos aplicaciones (mínimo) o suficiente grasa al eje de husillo.

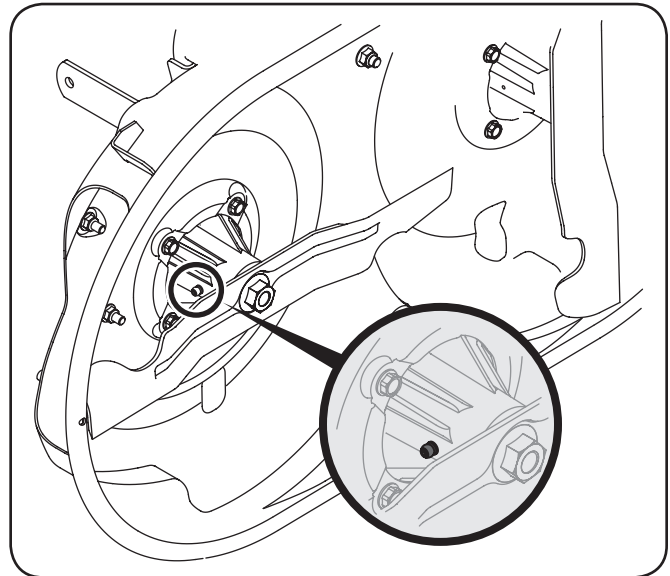


Figura 6-4

## Correa de sincronización de la cuchilla

Los husillos de la plataforma de corte se mueven por medio de una correa (dentada) de sincronización, garantizando que las cuchillas de la plataforma siempre están perpendiculares entre sí. Por lo menos una vez por temporada, o después de golpear contra un objeto extraño, verifique la correa de sincronización de la siguiente manera:

1. Para sacar la cubierta de la correa saque los tres tornillos y arandelas que la sujetan al bastidor. Vea la Fig. 6-5.



**¡ADVERTENCIA!** No haga funcionar la unidad sin tener la cubierta de la correa instalada. Si no se observan estas instrucciones se pueden producir lesiones personales o daños materiales.

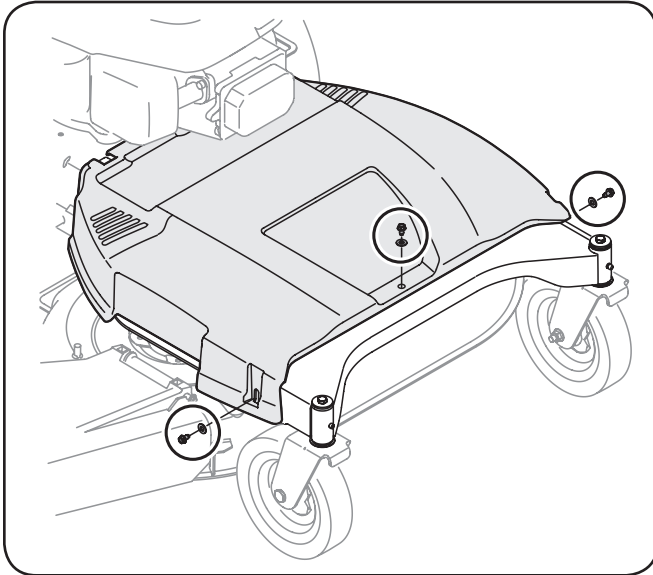


Figura 6-5

1. La parte superior de cada polea de husillo está marcada con una flecha. Las flechas deben estar perpendiculares (a un ángulo de 90°) entre sí.

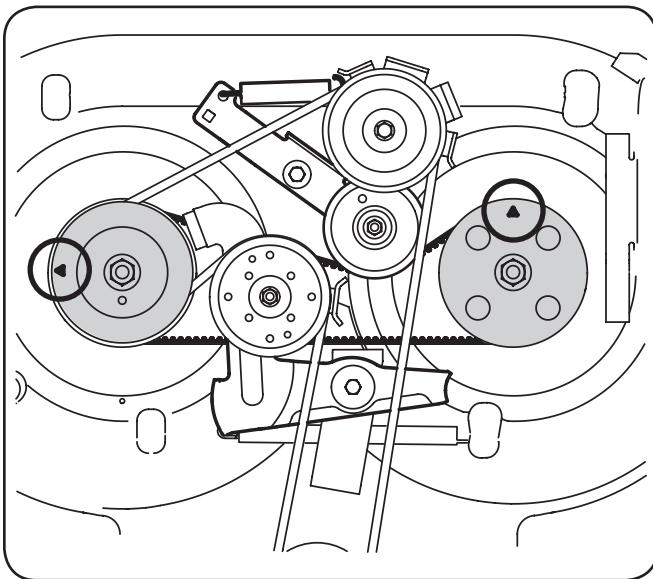


Figura 6-6

2. Si las flechas en la superficie de cada polea de husillo no están perpendiculares (a un ángulo de 90° grados) entre sí, consulte a su distribuidor Cub Cadet para volver a colocar la correa de sincronización de la plataforma.



**¡ADVERTENCIA!** No haga funcionar la máquina si la correa de sincronización no está correctamente colocada. Si no se observan estas instrucciones se pueden producir lesiones personales o daños materiales.

## Ajustes



**¡ADVERTENCIA!** Apague el motor y retire la llave de encendido antes de realizar ajustes.

### Altura de la manija

La manija superior está sujeta a dos barras de apoyo que se pueden ajustar para subir o bajar la altura de la manija. De ser necesario, realice un ajuste de la siguiente manera:

1. Extraiga la perilla en estrella superior y el tornillo del carro que están del lado derecho y del lado izquierdo de la manija. Vea la Fig. 6-7.

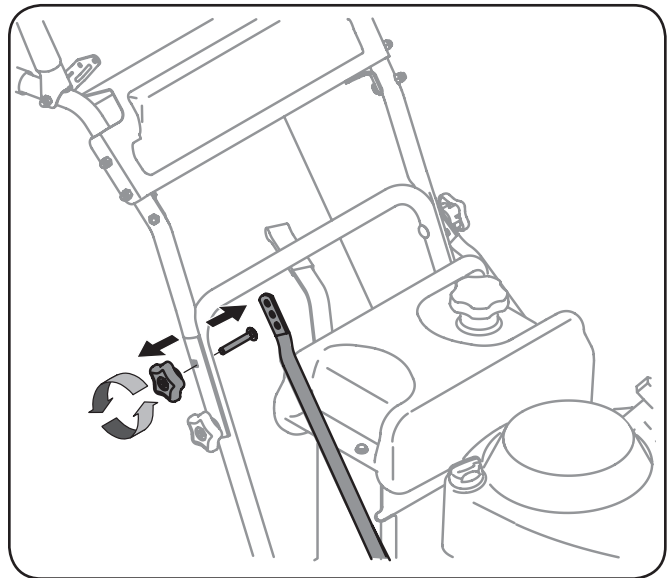


Figura 6-7

2. Gire la manija hacia adelante o hacia atrás para alinear uno de los tres orificios de cada barra de apoyo con los orificios de la manija.
3. Vuelva a colocar la perilla en estrella superior y el tornillo del carro al lado derecho y al lado izquierdo de la manija cuando logre una altura cómoda.

## Calendario de mantenimiento

	Antes de cada uso	Cada 10 horas	Cada 25 horas	Cada 50 horas	Cada 100 horas	Antes de almacenar
Limpie las cortadoras		✓				✓
Inspeccione el nivel de aceite del motor	✓					
Controle el filtro de aire para ver si hay piezas sucias, sueltas o dañadas	✓					
Reemplace el elemento del filtro de aire					✓	
Cambie el aceite del motor				✓		
Limpie los bornes de la batería		✓				✓
Limpie las aletas de refrigeración del motor			✓			✓
Lubrique las ruedas y rueditas delanteras de la plataforma			✓			✓
Lubrique los husillos de la plataforma			✓			✓
Lubrique los puntos de pivote		✓				✓
Inspeccione el estado y la separación de la bujía de encendido					✓	✓
Reemplace el filtro de combustible					✓	



## Extracción de la plataforma de corte



**¡ADVERTENCIA!** Antes de realizar cualquier mantenimiento o reparación, desconecte las cuchillas, apague el motor y retire la llave para evitar el encendido accidental del motor.

Para extraer la plataforma de corte, proceda de la siguiente manera:

1. Para sacar la cubierta de la correa saque los tres tornillos y arandelas que la sujetan al bastidor. Vea la Fig. 7-1.



**ADVERTENCIA:** No haga funcionar la unidad sin tener la cubierta de la correa instalada. Si no se observan estas instrucciones se pueden producir lesiones personales o daños materiales.

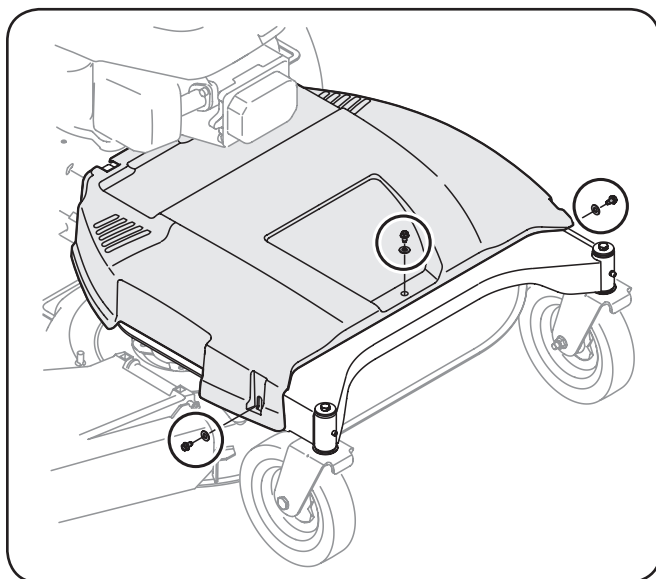


Figura 7-1

2. Coloque la palanca de altura de la plataforma en la posición de corte más alta.
3. Coloque tacos de madera en varios lugares debajo del borde de la plataforma. Sostendrán temporalmente la plataforma mientras la desmonta.
4. Use la palanca de altura de la plataforma para bajar la plataforma y hacerla descansar sobre los tacos de madera.
5. Extraiga el tornillo y la tuerca de brida que sujeta la varilla del guardacorrea al lado izquierdo del bastidor de la cortadora. Vea la Fig. 7-2.

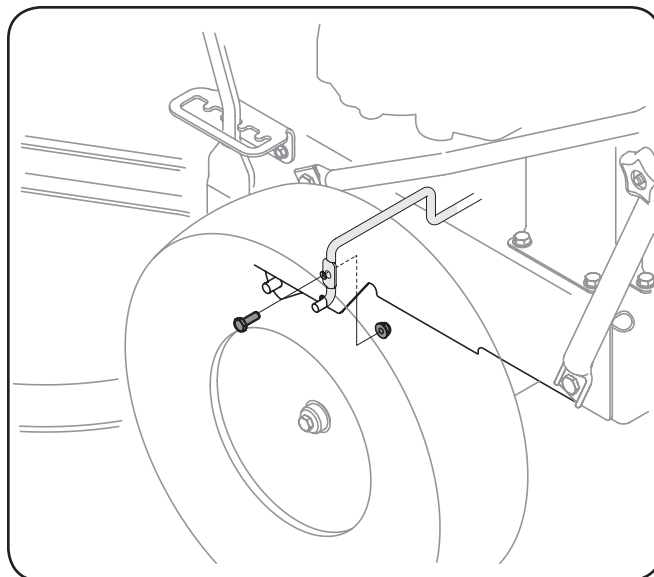


Figura 7-2

6. Extraiga la varilla del guardacorrea y extraiga la correa de la plataforma que está alrededor de la polea del motor de la cortadora.
7. Mire la plataforma de corte desde el lado izquierdo y saque con cuidado los pasadores horquilla que sujetan los soportes de la plataforma a los laterales posterior y anterior izquierdos de la plataforma. Vea la Fig. 7-3.
8. Repita los pasos anteriores del lado derecho de la cortadora.
9. Retire con cuidado los soportes delanteros de la plataforma de los brazos de elevación de la plataforma, Fig. 7-3

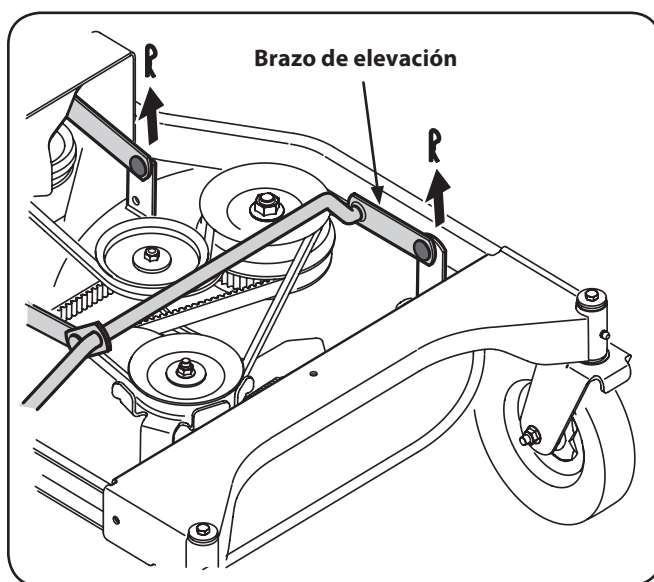


Figura 7-3

10. Con cuidado desenganche el montaje de elevación de la cortadora de los soportes posteriores de la plataforma.
11. Use la palanca de altura de la plataforma para levantar el montaje a su posición más alta.
12. Retire los tacos de madera de debajo de la plataforma y deslice suavemente la plataforma de corte hacia el fondo de la máquina.
13. Desenganche el cable resorte de la transmisión del montaje del brazo secundario libre. Vea la Fig. 7-4.

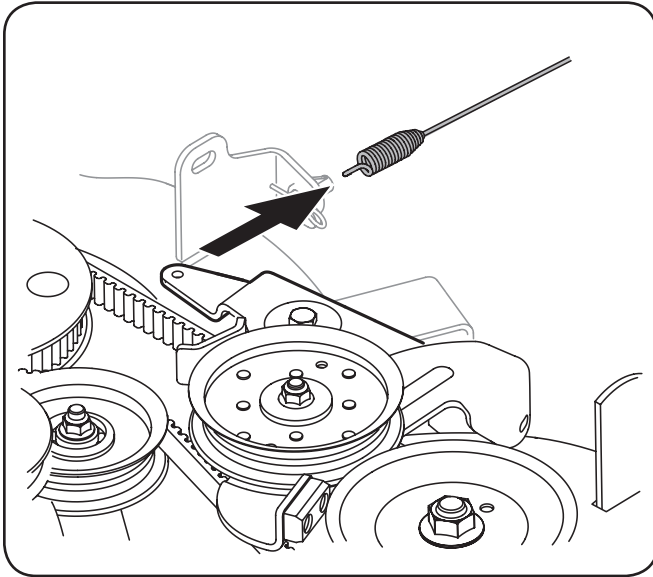


Figura 7-4

14. Deslice lentamente la plataforma hacia la derecha, sacándola de debajo de la cortadora.
- Para instalar la plataforma de corte, siga los pasos anteriores en orden inverso para volver a acoplar la plataforma y la cubierta de la correa.

### Cuchillas de corte



**¡ADVERTENCIA!** Apague el motor y extraiga la llave de contacto antes de retirar las cuchillas de corte para afilarlas o reemplazarlas. Proteja sus manos utilizando guantes reforzados cuando sujete las cuchillas.



**¡ADVERTENCIA!** Inspeccione periódicamente la cuchilla y/o el husillo en busca de rajaduras o daños, especialmente después de golpear un objeto extraño. No opere la máquina hasta después de haber reemplazado los componentes dañados.

Para retirar las cuchillas, haga lo siguiente.

1. Saque la plataforma de debajo de la cortadora, (consulte la Extracción de la plataforma de esta sección); luego voltee con delicadeza la plataforma para dejar al descubierto su parte inferior.
2. Coloque un taco de madera entre el deflector del alojamiento central de la plataforma y la cuchilla de corte, para que actúe como estabilizador. Vea la figura 7-5.
3. Extraiga la tuerca de brida hexagonal que asegura la cuchilla al montaje del husillo. Vea la Fig. 7-5.

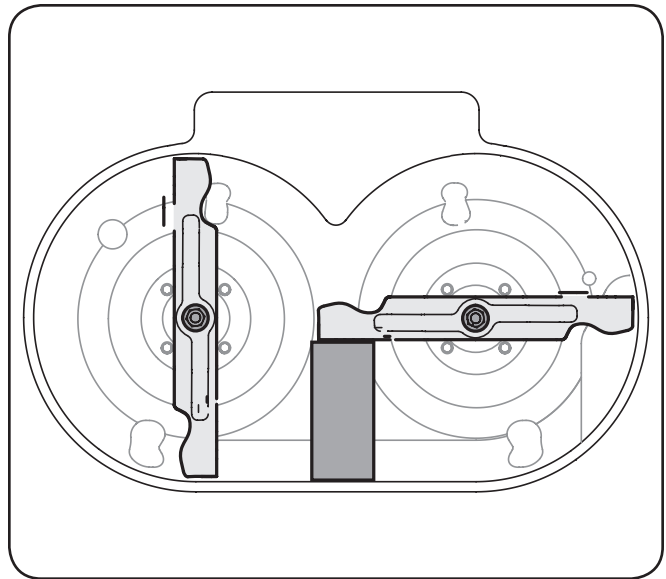


Figura 7-5

4. Para afilar las cuchillas de corte de forma adecuada, extraiga cantidades iguales de metal de ambos extremos de las cuchillas a lo largo de los bordes cortantes, paralelo al borde de caída y a un ángulo de 25° a 30°. Afíle siempre cada borde de las cuchillas de corte de forma pareja para mantener un equilibrio adecuado entre las mismas. Vea la Fig. 7-6.



**PRECAUCIÓN:** Si el borde de corte de la cuchilla ha sido afilado previamente o si existe una separación de metal, reemplace las cuchillas por otras nuevas.



**¡ADVERTENCIA!** Una cuchilla mal equilibrada causará exceso de vibración y puede ocasionar daños a la cortadora y/o lesiones personales.

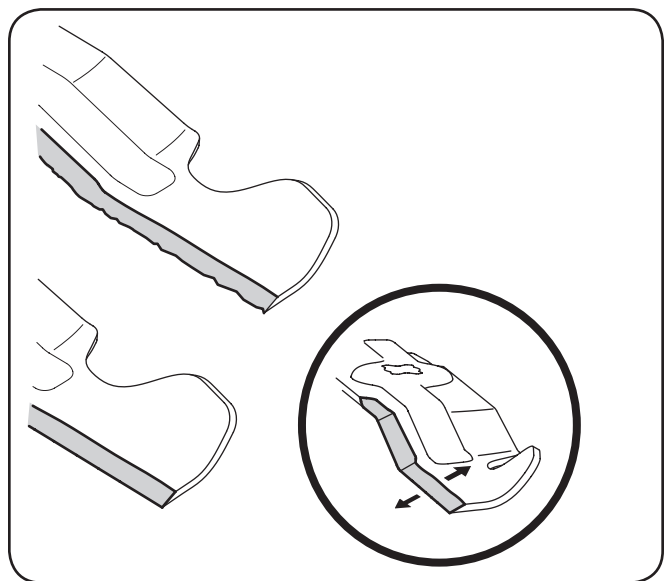


Figura 7-6

- Pruebe el equilibrio de la cuchilla usando un compensador de cuchillas. Afíle el metal del lado pesado hasta que quede bien equilibrada.

**NOTA:** Cuando reemplace la cuchilla, asegúrese de instalarla con el lado marcado "Bottom" (inferior) (o con el lado que posee un número de pieza estampado) mirando al piso cuando la cortadora de césped está en posición de operación.



**PRECAUCIÓN:** Utilice una llave de torsión para ajustar la tuerca de brida hexagonal del husillo de la cuchilla entre 70 pies-libras y 90 pies-libras.



**PRECAUCIÓN:** Las cuchillas de corte **deben** instalarse perpendiculares entre sí. Si no se puede instalar las cuchillas perpendiculares entre sí, se debe volver a calibrar la correa de sincronización. Consulte a su distribuidor Cub Cadet para volver a calibrar la correa de sincronización de la plataforma.

## Escudo posterior



**¡ADVERTENCIA!** Nunca opere la cortadora si el escudo posterior no está colocado y funcionando. De lo contrario podrían producirse lesiones personales.

Para cambiar el escudo posterior proceda de la siguiente manera:

- Extraiga el tornillo que fija el escudo al lado derecho de la cortadora. Vea la Fig. 7-7.

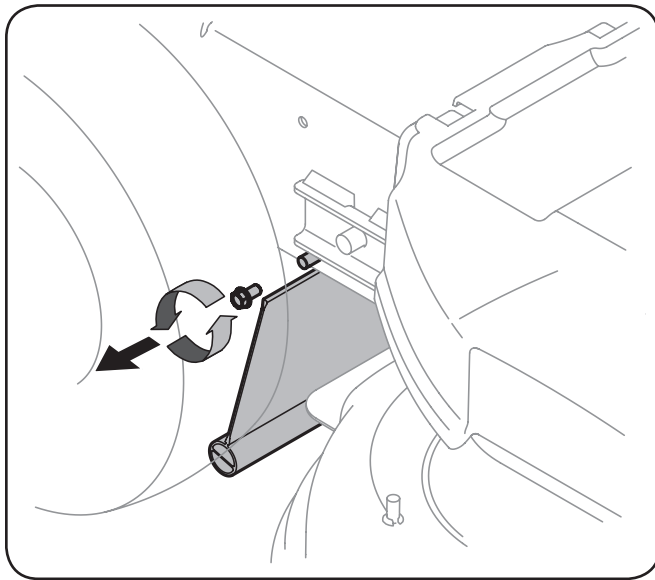


Figura 7-7

- Combe el escudo hacia adentro a cada lado para soltarlo del bastidor de la cortadora.
- Coloque el nuevo escudo posterior siguiendo los pasos anteriores en orden inverso.

## Batería



### ADVERTENCIA PROPOSICIÓN 65 DE CALIFORNIA:

Los bornes de la batería y los accesorios afines contienen plomo y compuestos de plomo, sustancias químicas que según lo establecido por el Estado de California causan cáncer y daños en el sistema reproductivo. Lávese las manos después de estar en contacto con estos componentes.



**PRECAUCIÓN:** Si por alguna razón extrae la batería, desconecte primero el cable NEGATIVO (negro) de su borne y a continuación el cable POSITIVO (rojo). Cuando vuelva a instalar la batería, conecte siempre primero el cable POSITIVO (rojo) a su borne, y a continuación el cable NEGATIVO (negro).

## Arranque con pinzas para batería



**¡ADVERTENCIA!** Nunca arranque con pinzas una batería dañada o congelada. Asegúrese de que los vehículos no se toquen y los motores están apagados. No permita que las pinzas de los cables se toquen.

- Conecte el cable positivo (+) al borne positivo (+) de la batería descargada de su cortadora.
- Conecte el otro extremo del cable al borne positivo (+) de la batería cargada.
- Conecte el segundo cable negativo (-) al otro borne de la batería cargada.
- Haga la conexión final sobre el bloque del motor de la cortadora, lejos de la batería. Acople a una parte sin pintura para asegurarse de que haya una buena conexión.



**PRECAUCIÓN:** Si la batería cargada está instalada en un vehículo (es decir, automóvil, camión) NO ponga en marcha el motor del vehículo cuando arranque la cortadora con las pinzas.

- Arranque la cortadora (según las instrucciones de la sección Funcionamiento de este manual).
- Retire los cables de arranque en orden inverso a la conexión.

## Carga de la batería



**¡ADVERTENCIA!** Al cargarse, las baterías emiten un gas que puede causar explosiones. Cargue la batería en un área bien ventilada y manténgala alejada de una llama expuesta o piloto, como los de los calentadores de agua, calefactores de ambiente, hornos, secadores de ropa y otros aparatos a gas.



**PRECAUCIÓN:** Cuando cargue la batería de la cortadora, utilice únicamente un cargador diseñado para baterías de plomo-ácido de 12V. Lea el Manual del Operador del cargador de la batería antes de cargar la batería de la cortadora. Siempre siga las instrucciones y tenga en cuenta las advertencias.

Si su cortadora no se ha usado durante un período de tiempo prolongado, cargue la batería de la siguiente manera:

- Ajuste el cargador de batería para que produzca un máximo de 10 amperios.

Si su cargador de batería es automático, cargue la batería hasta que el cargador indique que se ha completado la carga. Si el cargador no es automático, cargue por ocho horas como mínimo.

## Cambio de la correa de enganche de la cubierta



**¡ADVERTENCIA!** Apague el motor y extraiga la llave de contacto antes de retirar las cuchillas de corte para afilarlas o reemplazarlas. Proteja sus manos utilizando guantes reforzados cuando sujete las cuchillas y las poleas.



**¡ADVERTENCIA!** Las correas en V de la cortadora están diseñadas especialmente para que se engranen y desengranen sin riesgos. El uso de una correa en V sustituta (que no sea del fabricante del equipo original) puede resultar peligroso si la misma no se desengrana completamente. Para que la máquina funcione correctamente, use correas aprobadas por el fabricante.

Todas las correas de la cortadora están sujetas a desgaste, y se las debe cambiar si presentan signos de desgaste. Para cambiar o reemplazar la correa de la plataforma de su cortadora, proceda de la siguiente manera:

1. Extraiga la plataforma de corte de la cortadora como se ha indicado antes en esta sección.



**¡ADVERTENCIA!** Evite las lesiones por compresión. Al extraer la correa, no coloque nunca los dedos en el resorte intermedio o entre la correa y una polea.

2. Retire la cubierta de la correa como se ha indicado antes en esta sección. Consulte la Fig. 7-1.
3. Retire el guardacorrea como se ha indicado antes en esta sección. Consulte la Fig. 7-2.
4. Afloje, pero no saque, la tuerca y el perno que fijan cada polea loca de la plataforma. Vea la Fig. 7-8.

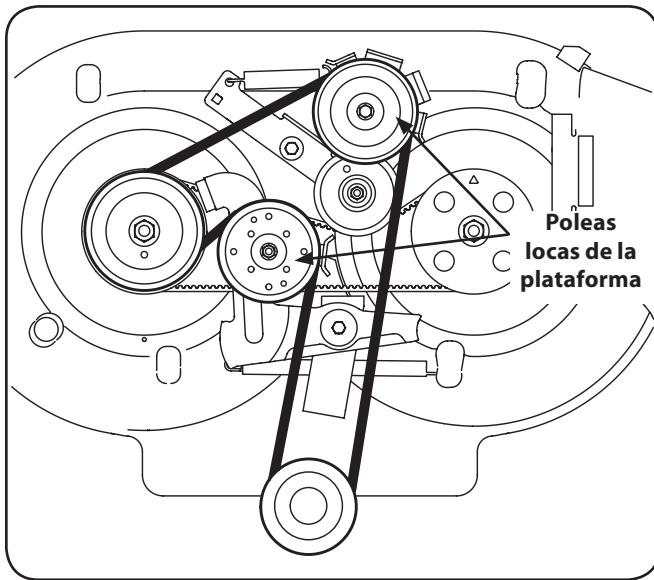


Figura 7-8

5. Retire la correa de alrededor de todas las poleas.
6. Coloque la correa nueva como se muestra en la Fig. 7-8.
7. Vuelva a ajustar las tuercas y pernos que fijan cada polea loca.
8. Vuelva a colocar el guardacorrea y la cubierta de la correa.

## Cambio de la correa de sincronización de la plataforma

Para cambiar la correa de sincronización de la cortadora, se deben retirar varios componentes y se requieren herramientas especiales. Consulte a su distribuidor Cub Cadet para reemplazar la correa de sincronización de la plataforma.

## Cambio de la correa de transmisión

Para cambiar la correa de transmisión de la cortadora, se deben retirar varios componentes y se requieren herramientas especiales. Solicite a su distribuidor Cub Cadet que realice el reemplazo de la correa de transmisión.

## Fusible



**¡ADVERTENCIA!** Antes de realizar tareas de mantenimiento, reparación o inspección, siempre debe desenganchar las cuchillas, apagar el motor y retirar la llave para evitar el encendido accidental del motor.


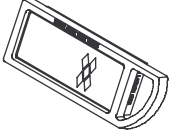

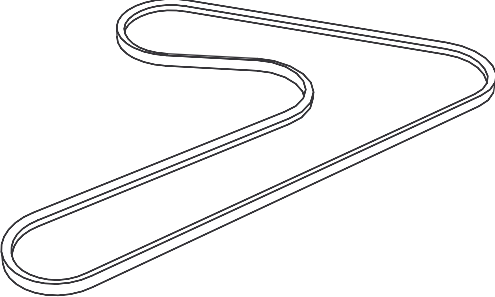
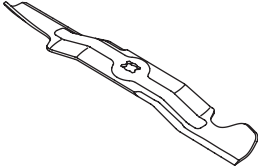
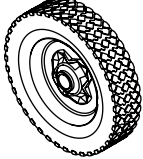
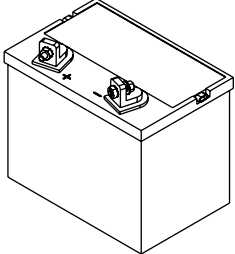
En el mazo de cables de la cortadora se encuentra un fusible de 20 amperios, que protege el sistema eléctrico de la cortadora de los daños causados por exceso de amperaje.

Si el sistema eléctrico no funciona, o el motor de la cortadora no arranca, verifique primero que el fusible no se haya quemado. Se encuentra cerca de la batería.



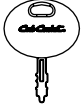
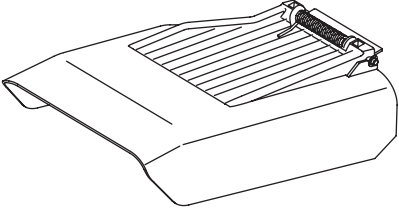
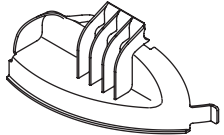
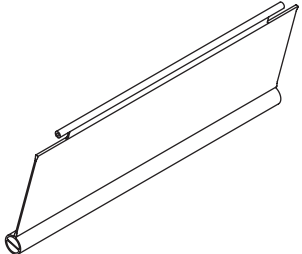


**PRECAUCIÓN:** Reemplace siempre por un fusible con el mismo amperaje que el fusible quemado.

Problema	Causa	Solución
El motor no arranca	<ol style="list-style-type: none"> <li>1. No se ha activado el cebador</li> <li>2. El depósito de combustible está vacío o el combustible se ha echado a perder.</li> <li>3. La línea del combustible está bloqueada.</li> <li>4. La bujía no funciona correctamente.</li> <li>5. Motor ahogado.</li> <li>6. Batería</li> <li>7. Fusible quemado</li> </ol>	<ol style="list-style-type: none"> <li>1. Coloque el control del regulador/cebador en la posición CHOKE (cebador).</li> <li>2. Llene el depósito con gasolina limpia y nueva (de menos de 30 días).</li> <li>3. Limpie la línea de combustible y reemplace el filtro de combustible.</li> <li>4. Limpie o cambie la bujía o ajuste la separación.</li> <li>5. Arranque el motor con el regulador en posición FAST (velocidad rápida).</li> <li>6. Recargue la batería.</li> <li>7. Cambie el fusible quemado</li> </ol>
El motor funciona de manera errática	<ol style="list-style-type: none"> <li>1. El motor está funcionando con el CEBADOR activado.</li> <li>2. Se han aflojado los cables de la bujía.</li> <li>3. La línea del combustible está tapada o el combustible se ha echado a perder.</li> <li>4. La ventilación de la tapa del combustible está obstruida.</li> <li>5. Agua o suciedad en el sistema de combustible.</li> <li>6. El filtro de aire está sucio.</li> </ol>	<ol style="list-style-type: none"> <li>1. Mueva el control del regulador/cebador para sacarlo de la posición CEBADOR.</li> <li>2. Conecte los cables de la bujía.</li> <li>3. Limpie la línea de combustible; llene el tanque con gasolina limpia y nueva y reemplace el filtro de combustible.</li> <li>4. Destape la ventilación o reemplace la tapa si está dañada.</li> <li>5. Vacíe el tanque de combustible. Llene el tanque con gasolina limpia y nueva.</li> <li>6. Cambie el elemento de papel del filtro de aire</li> </ol>
El motor recalienta	<ol style="list-style-type: none"> <li>1. El nivel de aceite del motor está bajo.</li> <li>2. Flujo de aire restringido.</li> </ol>	<ol style="list-style-type: none"> <li>1. Llene el cárter con la cantidad y peso de aceite adecuado.</li> <li>2. Limpie los recortes de césped y residuos de alrededor de las aletas de refrigeración del motor y del alojamiento del soplador.</li> </ol>
El motor vacila a altas revoluciones	<ol style="list-style-type: none"> <li>1. La separación de la bujía es muy pequeña.</li> </ol>	<ol style="list-style-type: none"> <li>1. Retire la bujía y reajuste la separación.</li> </ol>
El motor funciona con dificultad en ralentí	<ol style="list-style-type: none"> <li>1. Bujía sucia, averiada o exceso de separación.</li> <li>2. El filtro de aire está sucio.</li> </ol>	<ol style="list-style-type: none"> <li>1. Reemplace la bujía. Ajuste la separación de la bujía.</li> <li>2. Reemplace el elemento del filtro de aire y/o limpie el depurador.</li> </ol>
Demasiada vibración	<ol style="list-style-type: none"> <li>1. Cuchilla de corte floja o descentrada.</li> <li>2. Cuchilla dañada o doblada.</li> </ol>	<ol style="list-style-type: none"> <li>1. Apriete la cuchilla y el husillo.</li> <li>2. Reemplace la cuchilla.</li> </ol>
La cortadora de césped no procesa los recortes como abono	<ol style="list-style-type: none"> <li>1. La velocidad del motor es demasiado lenta.</li> <li>2. Pasto mojado.</li> <li>3. Césped demasiado alto.</li> <li>4. Cuchilla desafilada.</li> </ol>	<ol style="list-style-type: none"> <li>1. Coloque el control del regulador en la posición FAST (velocidad rápida, representada por una liebre).</li> <li>2. No procese abono cuando el pasto está mojado.</li> <li>3. Corte una vez con altura de corte elevada y luego vuelva a cortar el césped a la altura deseada, o haga una pasada de corte más angosta.</li> <li>4. Afile o cambie la cuchilla.</li> </ol>
Corte desigual	<ol style="list-style-type: none"> <li>1. La plataforma no está correctamente nivelada.</li> <li>2. Cuchilla desafilada.</li> <li>3. Presión de neumáticos desigual.</li> </ol>	<ol style="list-style-type: none"> <li>1. Haga un ajuste de la plataforma de lado a lado.</li> <li>2. Afile o cambie la cuchilla.</li> <li>3. Verifique la presión de los neumáticos traseros.</li> </ol>

Componente	Número de pieza y Descripción
	759-3336 Bujía (Champion RC12YC)
	BS-698413 Cartucho filtro de aire Briggs & Stratton
	951-3013 Filtro de combustible
	954-04139 Correa (enganche de la plataforma de corte)
	942-04154A Cuchilla de plataforma
	734-04263 Rueda (delantera)
	925-1704A Batería

Llame por teléfono al (800) 965-4CUB para solicitar piezas de reemplazo o un Manual de Repuestos completo (tenga el número de modelo y número de serie de su máquina a mano). En [www.cubcadet.com](http://www.cubcadet.com) también podrá descargar el Manual de Repuestos sin cargo alguno.

Componente	Número de pieza y Descripción
	951-10514 Tapón del tanque de combustible
	746-04604 Control del regulador/cebador (cable)
	725-2054A Llave de encendido
	931-04244 Conjunto de canal de descarga
	731-05938 Tolva de abono
	731-05766 Escudo posterior

Llame por teléfono al (800) 965-4CUB para solicitar piezas de reemplazo o un Manual de Repuestos completo (tenga el número de modelo y número de serie de su máquina a mano). En [www.cubcadet.com](http://www.cubcadet.com) también podrá descargar el Manual de Repuestos sin cargo alguno.

Los siguientes aditamentos y accesorios son compatibles con la cortadora de césped ancha Cub Cadet Time Saver™. Consulte con su distribuidor Cub Cadet o con el representante al cual le ha comprado la cortadora para obtener más información con respecto a precios y disponibilidad.

<b>Número de modelo</b>	<b>Descripción</b>
19A20001100	Colector de césped, 33" máquina corta césped





## **DECLARACIÓN DE GARANTÍA DEL CONTROL DE LAS EMISIONES DE CALIFORNIA DERECHOS Y OBLIGACIONES DE SU GARANTÍA**

El Departamento de los Recursos de Aire de California y MTD Consumer Group Inc, se complacen en explicar la garantía del sistema de control de emisiones por evaporación de su cortadora de césped 2008. En California, las nuevas máquinas para cortar césped se deben diseñar, construir y equipar de modo de cumplir con las rigurosas normas contra la polución del estado. MTD Consumer Group Inc debe garantizar el sistema de control de emisiones por evaporación (EECS) de su cortadora de césped por el período de tiempo indicado más abajo, siempre y cuando no exista uso incorrecto, negligencia o mantenimiento inadecuado de dicha máquina.

El sistema EECS puede incluir piezas tales como el carburador, el sistema de inyección a combustible, el sistema de encendido, el convertidor catalítico, los depósitos de combustible, las líneas de combustible, los tapones de combustible, las válvulas, contenedores, filtros, mangueras de vapor, abrazaderas, conectores y otros componentes afines relacionados con las emisiones.

**Donde exista una condición cubierta por la garantía, MTD Consumer Group Inc reparará su cortadora de césped sin costo alguno incluyendo el diagnóstico, las piezas y la mano de obra.**

### **COBERTURA DE LA GARANTÍA DEL FABRICANTE:**

Este sistema de control de emisiones por evaporación se garantiza por el término de dos años. Si alguna pieza de su equipo relacionada con las emisiones por evaporación es defectuosa, MTD Consumer Group Inc reparará o sustituirá dicha parte.

### **RESPONSABILIDADES DEL PROPIETARIO SEGÚN LA GARANTÍA**

En su carácter de propietario de la cortadora de césped, usted es responsable del mantenimiento requerido que se especifica en el manual del propietario. MTD Consumer Group Inc le recomienda que conserve todos los recibos que cubren el mantenimiento de su cortadora de césped, no obstante lo cual MTD Consumer Group Inc no podrá denegar el cumplimiento de la garantía únicamente por la falta de los recibos.

Como propietario de la cortadora de césped, usted debe saber que MTD Consumer Group Inc puede denegar la cobertura de la garantía si su cortadora de césped o una pieza de la misma fallan debido a uso incorrecto, negligencia, mantenimiento indebido o a modificaciones no aprobadas.

Usted es responsable de presentar la cortadora de césped al centro de distribución o de mantenimiento de MTD Consumer Group Inc tan pronto como apareciera el problema. Las reparaciones cubiertas por la garantía se deben llevar a cabo en un lapso razonable que no exceda de 30 días. Si desea realizar alguna consulta con respecto a la cobertura de la garantía, debe ponerse en contacto con su distribuidor local de MTD. Para comunicarse con la Línea de Asistencia al Cliente de Distribuidores de MTD, llame al número (800) 800-7310.

### **COBERTURA DE LA GARANTÍA DE EMISIONES GENERALES:**

MTD Consumer Group Inc garantiza al comprador final y a cada comprador subsiguiente que la cortadora de césped: está diseñada, construida y equipada de modo de cumplir con todas las regulaciones aplicables y que se encuentra libre de defectos de materiales y de fabricación que pudieren causar la falla de una pieza garantizada idéntica en todos los aspectos materiales a la pieza descrita en la solicitud de certificación de MTD Consumer Group Inc.

El período de garantía comienza en la fecha de entrega de la cortadora al comprador final o en la fecha en que la máquina se pone en funcionamiento por primera vez. El período de garantía es de dos años. Sujeto a ciertas condiciones y exclusiones que se indican a continuación, la garantía de las piezas relacionadas con las emisiones es la siguiente:

1. Cualquier pieza garantizada que no esté programada para ser reemplazada como parte del mantenimiento requerido en las instrucciones escritas suministradas se garantiza por el período de garantía arriba mencionado. Si la pieza falla durante el período de cobertura de la garantía, la misma será reparada o reemplazada por MTD Consumer Group Inc de acuerdo con el párrafo (4) a continuación. Cualquier pieza reparada o reemplazada según la garantía se garantizará por el resto del período de garantía.
2. Cualquier pieza garantizada que esté programada solamente para inspección regular en las instrucciones escritas suministradas se garantiza por el período de garantía arriba mencionado. Cualquier pieza reparada o reemplazada según la garantía se garantizará por el resto del período.
3. Cualquier pieza garantizada que esté programada para reemplazo según el mantenimiento requerido de conformidad con las instrucciones escritas suministradas, se garantiza por el período de tiempo anterior a la primera fecha de reemplazo programada para esa pieza. Si la pieza falla antes del primer reemplazo programado, la misma será reparada o reemplazada por MTD Consumer Group Inc de acuerdo con el párrafo (4) a continuación. Cualquier pieza reparada o reemplazada bajo garantía se garantizará por el resto del período anterior al primer reemplazo programado puntual para esa pieza.
4. La reparación o el reemplazo de cualquier pieza garantizada de conformidad con las disposiciones de la garantía que aquí se estipula se debe realizar en un centro de servicio técnico sin costo alguno para el propietario.
5. No obstante las disposiciones que aquí se estipulan, los servicios o reparaciones bajo garantía se suministrarán en todos nuestros centros de distribución bajo franquicia de mantenimiento para los motores o equipo en cuestión.
6. El propietario de la cortadora de césped no deberá pagar el trabajo de diagnóstico directamente asociado con una pieza garantizada defectuosa en relación con las emisiones, siempre y cuando dicho trabajo de diagnóstico se realice en un centro cubierto por la garantía.
7. MTD Consumer Group Inc es responsable por daños causados a otros componentes de motores o equipo derivados de la falla bajo garantía de cualquier pieza garantizada.
8. Durante la totalidad del período de garantía arriba mencionado, MTD Consumer Group Inc mantendrá un suministro de piezas bajo garantía suficiente para satisfacer la demanda esperada de tales piezas.
9. Cualquier pieza de reemplazo se podrá usar para el cumplimiento del mantenimiento bajo garantía o las reparaciones se suministrarán sin cargo para el propietario. Dicho uso no reducirá las obligaciones de garantía de MTD Consumer Group Inc.
10. No se podrán usar piezas adicionales ni modificadas que no estén exentas de acuerdo con el Departamento de los Recursos del Aire (Air Resources Board). El uso de cualquier pieza adicional o modificada no exenta por el comprador final será causal de invalidez de los reclamos bajo garantía. MTD Consumer Group Inc no tendrá responsabilidad por la garantía de fallas de piezas garantizadas que fueren causadas por el uso de una pieza no exenta adicional o modificada.

## **PIEZAS GARANTIZADAS:**

La reparación o el reemplazo de cualquier pieza garantizada que de otro modo pudiese estar cubierta por la garantía podrá ser excluida de tal cobertura de garantía si MTD Consumer Group Inc demuestra que la cortadora de césped es objeto de uso incorrecto, negligencia o mantenimiento inadecuado, y que tal uso incorrecto, negligencia o mantenimiento inadecuado fue causa directa de la necesidad de reparación o reemplazo de dicha pieza. No obstante lo antedicho, cualquier ajuste de un componente con un dispositivo de limitación de ajuste instalado en fábrica y que funcione adecuadamente, podrá ser cubierto por la garantía. La siguiente lista de piezas es cubierta por la garantía de emisiones: Línea de combustible, abrazaderas de la línea de combustible

### (1) Sistema de medición de combustible

- Sistema de mejora para inicio en frío (cebado suave)
- Carburador y componentes internos
- Bomba de combustible
- Depósito de combustible

### (2) Sistema de inducción de aire

- Filtro de aire
- Colector de entrada

### (3) Sistema de encendido

- Bujía(s)
- Sistema de encendido por magneto

### (4) Sistema de escape

- Convertidor catalítico
- SAI (Válvula de lámina)

### (5) Componentes varios utilizados en el sistema anterior

- Válvulas e interruptores de vacío, temperatura, posición sensibles al tiempo
- Conectores y montajes

### (6) Control evaporativo

- Manguera de combustible certificados para las emisiones de evaporación ARB 2008
- Abrazaderas de manguera de combustible
- Ate a la tapa del combustible
- Frasco del carbón
- Líneas de vapor

## GARANTÍA LIMITADA DEL FABRICANTE CUB CADET LLC PARA 33-INCH CORTÓ DE PAR EN PAR EL CORTACÉSPEDES

**IMPORTANTE:** Para obtener cobertura de garantía, el propietario debe presentar el comprobante de compra original y los registros de mantenimiento correspondientes al centro de servicio técnico autorizado del distribuidor. Consulte el manual del operador para obtener información sobre los intervalos de mantenimiento y servicio requeridos.

La siguiente garantía limitada es otorgada por Cub Cadet LLC con respecto a productos nuevos adquiridos o arrendados y utilizados en los Estados Unidos y/o sus territorios y posesiones, y por MTD Products Limited con respecto a productos nuevos adquiridos o arrendados y utilizados en Canadá y/o sus territorios y posesiones (cualquiera de las entidades respectivamente "Cub Cadet").

Cub Cadet garantiza este producto (excluidas las *piezas con desgaste normal* y *baterías*, según se describe más abajo) contra defectos en los materiales y mano de obra por un período de tres (3) años o cientos veinte (120) horas de horas de la operación, cualquiera viene primero a partir de la fecha de compra o arrendamiento original y, a su opción, reparará o reemplazará, sin costo alguno, cualquier pieza que presente defectos en los materiales o de mano de obra.

Se garantiza que las *piezas con desgaste normal* están libres de defectos en los materiales y de mano de obra por un período de treinta (30) días a partir de la fecha original de compra o arrendamiento. Las piezas sujetas a desgaste normal incluyen pero no se limitan a: correas, cuchillas, adaptadores para cuchillas, bolsas para pasto, ruedas y neumáticos.

Las *baterías* tienen una garantía limitada prorrateada de un año contra defectos en los materiales y de mano de obra, con 100% de reemplazo durante los tres primeros meses. Después de los tres meses, el crédito por reemplazo de batería se basará en los restantes meses del período de doce (12) meses a partir de la fecha original de compra o arrendamiento. Cualquier reemplazo de batería será garantizado únicamente por el plazo restante del período original de la garantía.

Esta garantía limitada sólo se aplicará si el producto se ha operado y mantenido de acuerdo a las instrucciones del manual del operador que se proporciona con el producto y no ha sido objeto de uso inapropiado, abuso, abandono, accidente, mantenimiento inadecuado, alteración, vandalismo, robo, incendio, inundación o algún daño debido a otro peligro o desastre natural. El daño resultante de la instalación o el uso de piezas, accesorios o complementos no aprobados por Cub Cadet para usar con el o los productos cubiertos en este manual anulará la garantía respecta a cualquier daño resultante. Además, Cub Cadet puede rechazar la cobertura de la garantía si el medidor horario o cualquier parte del mismo, ha sido alterado, modificado, desconectado o de alguna otra forma forzado.

**CÓMO SOLICITAR Y OBTENER SERVICIO TÉCNICO:** El servicio de la garantía está disponible, CON COMPROBANTE DE COMPRA Y LOS REGISTROS DE MANTENIMIENTO CORRESPONDIENTES a través de su distribuidor local autorizado para el mantenimiento. Para localizar al distribuidor de su zona:

### **En Estados Unidos de América:**

Consulte sus páginas amarillas, o póngase en contacto con Cub Cadet LLC en P.O. Box 361131, Cleveland, Ohio 44136-0019, llame al 1-877-282- 8684, o visite nuestro sitio web en [www.cubcadet.com](http://www.cubcadet.com).

### **En Canadá:**

Póngase en contacto con MTD Products Limited, Kitchener, ON N2G 4J1, llame al 1-800-668-1238 ó visite nuestro sitio web en [www.mtdcanada.com](http://www.mtdcanada.com).

Sin limitación de lo anteriormente dicho, esta garantía limitada no ofrece cobertura en los siguientes casos:

- a. El motor o las piezas que lo componen. Estos productos pueden tener una garantía por separado del fabricante. Consulte los términos y condiciones en la garantía correspondiente del fabricante.
- b. Los artículos necesarios para el mantenimiento de rutina como por ejemplo lubricantes, filtros, afiladores de cuchillas, sincronización del motor, los ajustes de los frenos, del embrague o de la plataforma y el deterioro normal del acabado exterior debido al uso o exposición.
- c. Mantenimiento no realizado por el distribuidor de servicio autorizado.
- d. Cub Cadet no extiende ninguna garantía para productos vendidos o exportados fuera de los Estados Unidos de América y/o Canadá, y sus respectivas posesiones y territorios, excepto para aquellos vendidos a través de los canales autorizados de distribución de exportaciones de Cub Cadet.
- e. Piezas de reemplazo y/o accesorios que no son piezas originales de Cub Cadet.
- f. Gastos de transporte y visitas técnicas.

**No existen garantías implícitas, incluyendo sin limitación cualquier garantía implícita de comerciabilidad o adaptabilidad para un propósito en particular. No se aplicará ninguna garantía después del período aplicable de la garantía expresa por escrito según lo indicado más arriba. Ninguna otra garantía expresa más allá de las mencionadas anteriormente, extendida por personas o personas jurídicas, incluidos los distribuidores o los minoristas, con respecto a los productos, obligará a Cub Cadet. El recurso exclusivo es reparar o reemplazar el producto según lo anteriormente establecido. Los términos de esta garantía cubren las reparaciones únicas y exclusivas que surgen de la venta y/o arrendamiento de los productos cubiertos por la presente. Cub Cadet no será responsable de las pérdidas o los daños incidentales o resultantes, incluyendo sin limitación, los gastos incurridos para los servicios de mantenimiento del césped, o los gastos de arrendamiento para reemplazar de manera transitoria un producto bajo garantía.**

Algunas jurisdicciones no permiten la exclusión o limitación de los daños y perjuicios incidentales o resultantes, o las limitaciones sobre la duración de las garantías implícitas, por lo que las exclusiones o limitaciones mencionadas anteriormente pueden no serle de aplicación.

En ningún caso se obtendrá una compensación mayor al monto del precio de compra del producto vendido. **La alteración de las características de seguridad del producto anulará esta garantía.** Usted asume el riesgo y la responsabilidad de las pérdidas, daños o lesiones que sufran usted y sus bienes y/u otras personas y sus bienes como resultado del uso incorrecto o de la falta de capacidad para usar este producto.

Esta garantía limitada alcanza solamente al comprador original, o a la persona que recibió el producto de regalo.

### **CÓMO SE RELACIONA LA LEGISLACIÓN LOCAL CON ESTA GARANTÍA:**

Esta garantía limitada le otorga derechos legales específicos y usted también puede tener otros derechos que varían de una jurisdicción a otra.

**Cub Cadet LLC, P.O. BOX 361131 CLEVELAND, OHIO 44136-0019, teléfono: 1-877-282-8684  
MTD Products Limited, Kitchener, ON N2G 4J1, teléfono: 1-800-668-1238**