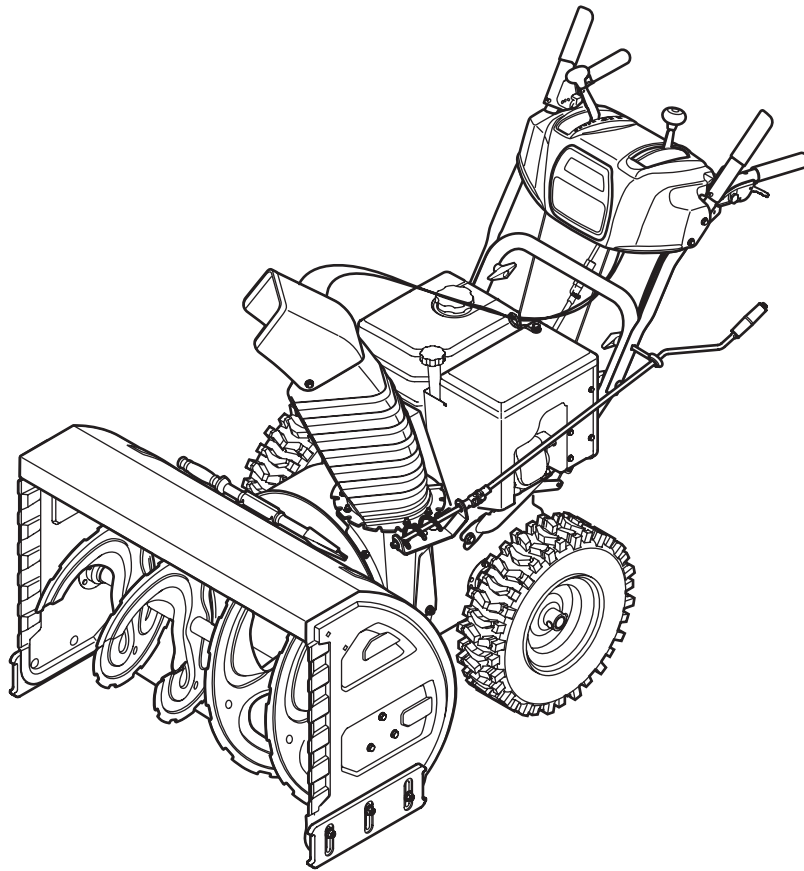


---

# *Cub Cadet*<sup>®</sup>

## ILLUSTRATED PARTS MANUAL



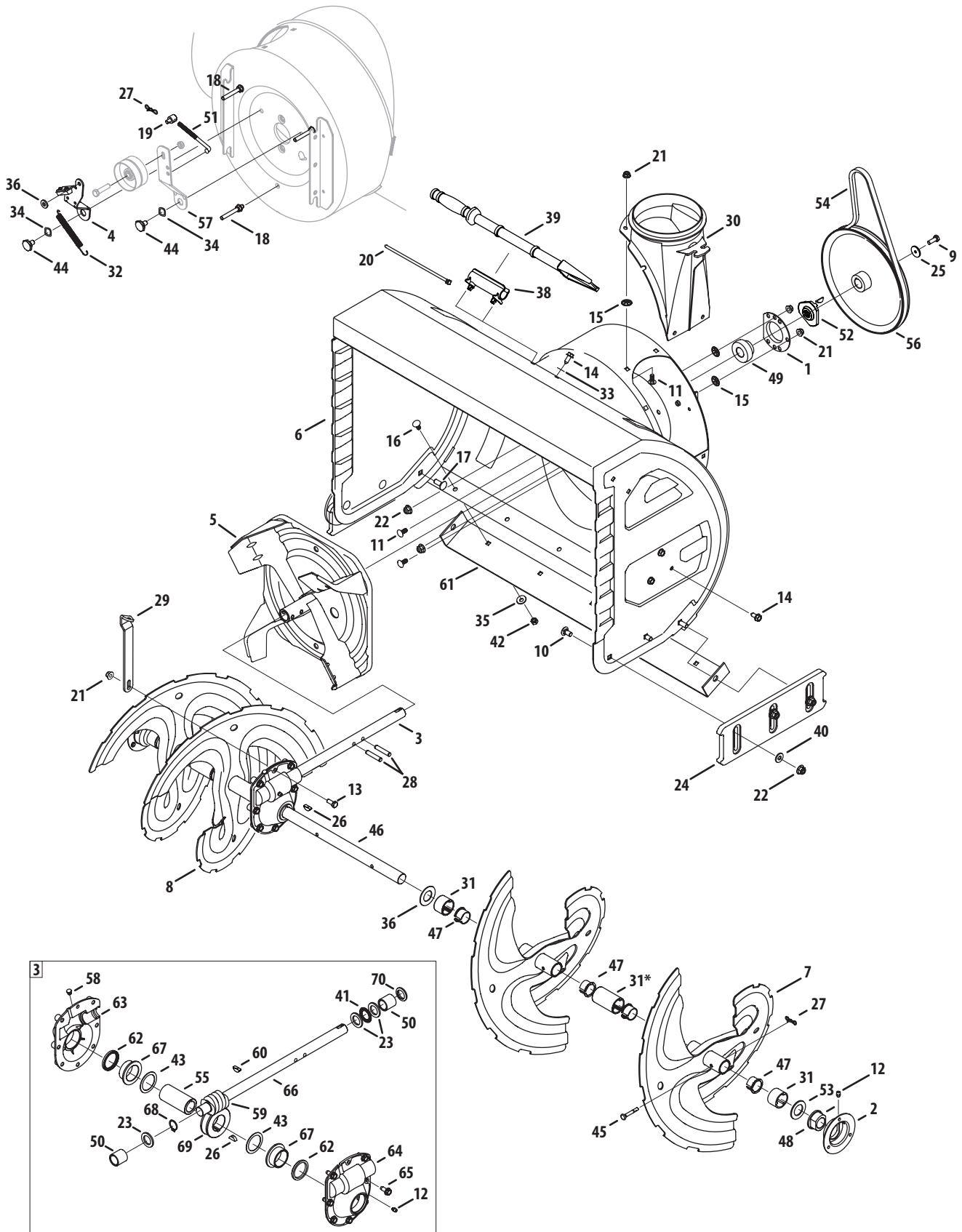
**Two Stage Snow Thrower — 930 SWE & 933 SWE**

---

CUB CADET LLC, P.O. BOX 361131 CLEVELAND, OHIO 44136-0019

---

# Augers, Auger Housing, and Gearbox



## Augers, Auger Housing, and Gearbox

Ref.	Part No.	Description
1	05244B	Housing, Bearing
2	784-0315A-0637	Housing, Bearing
3	918-04514	Gear Box Assembly
4	918-0281A	Bracket Assembly, Auger Brake
5	684-0090B-0637	Impeller, 16"
6	684-04232-4021	Housing, Auger - 30"
	684-04233-4021	Housing, Auger - 33"
7	684-04151-0637	Spiral Assembly, LH
8	684-04152-0637	Spiral Assembly, RH
9	710-1245B	Screw, Hex Cap Lock, 5/16-24
10	710-3168	Screw, Carriage, 3/8-16 x 1.00
11	710-0451	Screw, Carriage, 5/16-18 x .75
12	937-3000	Fitting, Lube
13	710-0376	Screw, Hex Cap, 5/16-18 x 1.0 Gr5
14	710-04484	Screw, 5/16-18 x .750
15	926-04012	Nut, Push
16	710-04525	Screw, Carriage, 5/16-18 x .75
17	710-3034	Screw, Carriage, 3/8-16 x 1.25
18	710-04606	Screw w/Stud, 5/16-18 x .4300
19	911-0677	Ferrule
20	725-0157	Tie Strap
21	712-04063	Nut, Hex Flange Lock, 5/16-18
22	712-04065	Nut, Hex Flange Lock, 3/8-16
23	936-0291	Wash, Flat, .88 ID x .38 OD
24	731-07032	Shoe, Skid, Deluxe
25	736-0505	Washer, Flat, .34 x 1.5 x .15 Ht.
26	914-0135	Key, Woodruff, 1/4 x 3/4
27	714-04040	Pin, Bow-tie Cotter
28	915-0118	Pin, Spiral, 5/16 x 1.75
29	790-00264A-0637	Bracket, Gear Box Support
30	731-1696B	Adapter, Chute, 6"
31	731-05163	Spacer, 1.0 x 1.5 x 1.0 Lg - 30" ONLY
	731-05162*	Spacer, 1.0 x 1.5 x 2.5 Lg - 33" ONLY
32	732-0858	Spring, Extension
33	936-0159	Washer, Flat, .349 x .879 .063
34	736-0174	Washer, Wave, .625 x .885 x .015
35	736-04216	Washer, Bell, .34 x .872 x .06

Ref.	Part No.	Description
36	936-3008	Washer, .344 x .75 x .12
37	736-3046A	Washer, 1.01 x 1.86 x .06
38	731-2635	Clip, Mounting
39	731-2643	Tool, Clean-out
40	736-0262	Wash, Flat, .385 x .870 x .092
41	741-0184	Bearing, Thrust
42	712-04103	Nut, Hex, 5/16-18 Stainless
43	936-0266	Wash, Flat, 1.52ID x 2.0 OD
44	938-0281	Screw, Shoulder, .625 x .17
45	738-04155	Pin, Shear, .25 x 1.75
46	938-04157	Shaft, Spiral, — 30" ONLY
	938-04158	Shaft, Spiral, — 33" ONLY
47	741-0494	Bushing, Flange,
48	741-0192	Bearing, Flange w/Flats
49	941-04024	Bearing, Self Aligning
50	941-0217	Sleeve
51	747-0980A	Rod, Auger Idler
52	748-04067A	Adapter, Pulley w/Pins
53	950-04020	Spacer, 1.004 x 1.375 x .25
54	954-04194A	V-Belt, 1/2 x 42
55	738-0275	Shaft, Gear, Worm
56	756-04244A	Pulley, Auger Drive, 10.0
57	784-0385C	Bracket, Auger Idler
58	721-0325	Plug
59	917-0299	Gear, Worm
60	914-0126	Key, Hi Pro, 3/16 x 3/4
61	790-00277	Plate, Shave, Stainless — 30" ONLY
	790-00196A	Plate, Shave, Stainless — 33" ONLY
62	921-0146	Oil Seal
63	918-0246	Hsg, Ass'y, Auger RH (Incl. Ref. 62 & 67)
64	918-0435	Hsg, Ass'y, Auger LH (Incl. Ref. 62 & 67)
65	710-1260A	Screw, LD, 5/16-18 x .750
66	711-04714	Shaft, Drive, Auger
67	741-0670	Flange Bearing
68	716-0111	External, Retaining, Ring
69	917-1425	Gear, Worm, LH
70	921-0145	Seal, Oil

\*Used only on 33" units, otherwise use Part No. 731-05163



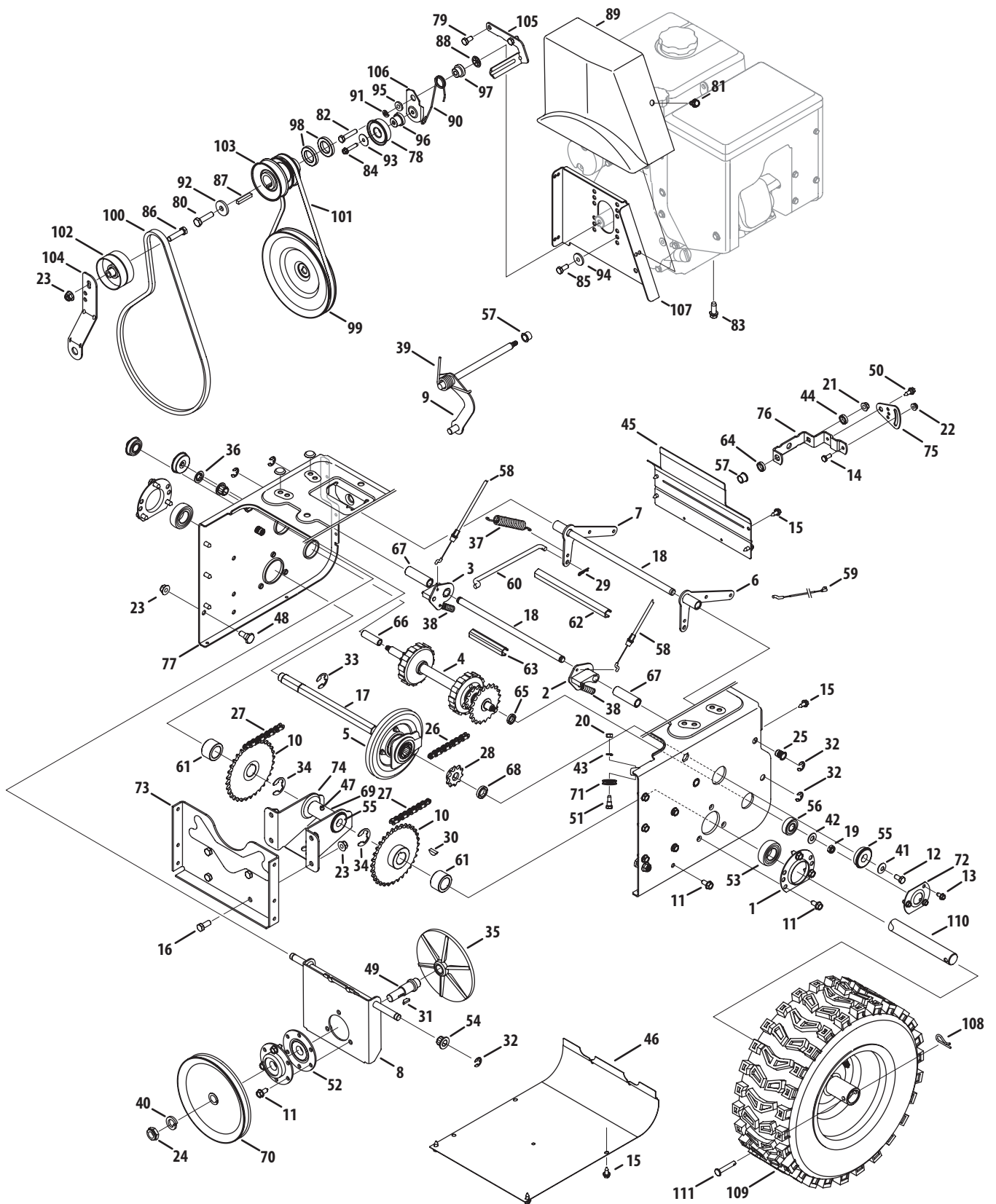
## Handles, Handle Panel & Discharge Chute

Ref.	Part Number	Description
1	684-04308A	Chute Crank Assembly
2	684-04350	Joint Block Assembly
3	710-0276	Screw, Carriage, 5/16-18 x 1.0
4	710-04682	Screw, Hex, 3/8-16 x 2.00 Lock
5	710-0572	Screw, Carriage, 5/16-18 x 2.5
6	710-3118	Screw, Hex, 3/8-16 x 1.0 Lock, Gr5
7	712-04063	Flange Lock Nut, 5/16-18
8	912-3010	Hex Nut, 5/16-18
9	914-0104	Internal Cotter Pin
10	715-04095	Spring Pin
11	720-0201A	Knob, Crank
12	720-04072A	Knob, Wing Nut, 5/16-18
13	926-0100	Cap, Push, 3/8
14	735-0234	Grommet, Rubber
15	736-0105	Washer, Bel, .375 x .87 x .063
16	936-0159	Washer, Flat, .349 x .879 .063
17	936-0185	Washer, .375 x .738 x .063
18	736-0242	Washer, Belleville, .34 x .872 x .06
19	941-0475	Plastic Bushing, .380 I.D.
20	747-04747	Eye Bolt
21	747-04925A-0637	Chute Rod
22	749-04309-0637	Handle, Upper - LH
23	749-04310-0637	Handle, Upper - RH
24	749-0991-0637	Handle, Lower
25	790-00039-0637	Chute Crank Bracket
26	716-04036	Ring, Retainer
27	725-0157	Cable Tie
28	731-04954	Trigger
29	738-04126	Pin, 3/16
30	710-04022	Hex Head Screw, MB 1.25
31	732-04677	Cable Guide
32	936-0264	Flat Washer, .330 x .630 x .0635
33	984-04230	2-Way Chute Control™ Assy
34	710-04187	Hi-Lo Screw, 1/4-15 x 0.5
35	710-0458	Bolt, Carriage, 5/16-18 x 1.75
36	710-0597	Screw, 1/4-20 x 1.00
37	710-0895	Hi-Lo Screw, 1/4-15 x .75
38	712-04064	Flange Lock Nut, 1/4-20
39	731-0846C	Upper Chute
40	731-0851A	Chute, Flange Keeper
41	731-0903E	Lower Chute

Ref.	Part Number	Description
42	731-1313C	Chute Tilt Cable Guide
43	936-0231	Flat Washer
44	784-5594-0637	Cable Bracket
45	725-04314	Wiring Harness
46	631-04133A	Handle Clutch Lock - LH
47	631-04134B	Handle Clutch Lock - RH
48	631-04187P	Handle Panel
49	646-0012	Cable Assembly, Auger/Drive
50	684-04105B	Handle Engage Assy - LH
51	684-04106B	Handle Engage Assy - RH
52	684-04250	Rod Ass'y, Clutch Lock Pivot
53	710-04326	Screw, #8-16 x 0.50
54	710-04586	Screw, 1/4-20 x 1.625
55	710-1233	Screw, #10-24 x 0.375
56	710-3069	Screw, 1/4-20 x .375
57	712-04081A	Shoulder Nut, 1/4-20
58	720-0274	Hand Grip
59	720-04039	Shift Knob
60	725-1629	Lamp
61	731-04894D	Lock Plate
62	731-04896B	Clutch Lock Cam
63	732-0193	Compression Spring
64	732-04219C	Clutch Lock Spring
65	732-04238	Torsion Spring
66	935-0199A	Rubber Bumper
67	936-0267	Flat Washer, .385 x .87 x .06
68	738-04125	Shoulder Screw
69	738-04348	Shoulder Screw, 1/4-20 x 1.345
70	746-04341	Speed Selector Cable
71	790-00248B-0637	Panel Bracket
72	790-00281B-0637	Shift Lever
73	731-05324	Lens Panel
74	777X41804	Reflector Label
75	746-04338	Cable, Chute Tilt
76	925-1649	Light Socket
77	929-0071	Extension Cord, 110V
78	736-0413	Washer, Spring, .39 x .625 x .012
79	738-04185	Screw, Shoulder, .31 x .995:1/4-20
80	790-00200-0637	Bracket, Mounting
81	731-05307	Cover, Tilt Cover

\*Not Pictured.

# Snow Thrower Drive System



## Snow Thrower Drive System

Ref.	Part Number	Description
1	05244B	Housing, Bearing
2	618-0279P	Dogg, Steering Drive, LH
3	618-0280P	Dogg, Steering Drive, RH
4	918-0282E	Shaft Assembly, Steering
5	918-04178	Assembly, Friction Wheel
	718-04034	Wheel, Friction, Bonded
	710-0896	Screw, Hex Wash
6	684-0118B-0637	Bracket, Auger Actuator
7	684-0119B-0637	Bracket, Drive Actuator
8	684-04212-0637	Brkt, Friction Drive Suprt.
9	684-04229	Rod Assembly, Shift
10	684-04235	Sprocket, 32T
11	710-04484	TT Screw, 5/16-18 x .750
12	710-0538	Screw, Hex Cap Lock,
13	710-0599	1/4-20 x .50
14	710-0751	Hex Head Screw, 1/4-20
15	710-1652	Screw, Hex Wash.
16	710-3001	Screw, Hex Cap, 3/8-16
17	911-04279	Shaft, Hex Drive
18	711-04605	Shaft, Actuator
19	912-0116	Nut, Hex Insert Jam Lock
20	912-0138	Nut, Hex, 1/4-28 GR5
21	712-04063	Flange Lock Nut, 5/16-18
22	712-04064	Flange Lock Nut, 1/4-20
23	712-04065	Flange Lock Nut, 3/8-16
24	912-0413	Hex Nut, 5/8-18
25	712-0717	Nut, Insert 3/8-16
26	713-0284	Chain, Endless, #41 x 36L
27	713-0286	Chain, #420 x 40L
28	913-04015	Sprocket, #41 x 10T
29	914-0104	Pin, Internal Cotter
30	914-0135	Key, Woodruff
31	914-0388	Key, Hi-Pro, 3/16 x 5/8
32	916-0104	E-Ring
33	716-0136	Ring, Retaining
34	716-04048	Ring, Retainer
35	917-0302	Plate, Drive
36	726-0221	Speed Nut, .500
37	932-0121	Spring, Extension
38	932-0209	Spring, Extension
39	732-04385	Torsion Spring, .750 I.D. x .968 Lg.
40	936-0158	Washer, Lock, 5/8
41	736-0242	Wsh, Bell, .34 x .872 x .06
42	936-0300	Wash, .406 x .875 x .059
43	936-0329	Washer, Lock, 1/4
44	936-3015	Flat Washer, .469 x .875 x .105
45	790-00257-4021	Cover, Upper Frame
46	790-00259-4021	Cover, Lower Frame
47	937-3000	Fitting, Lube, 3/16 Drive
48	738-0143	Screw, Shldr., .498 x .34
49	738-0279	Spindle, Drive Plate
50	738-04184A	Shoulder Screw, .368 x .113
51	738-0924A	Screw, Hex Shldr., 1/4-28
52	741-0163A	Ass'y, Bearing/Housing
53	941-04025	Bearing, Self Aligning
54	741-04108	Bearing, Hex Flange
55	941-0563	Bearing, Ball
56	741-0747	Bush, Flg, .5625 x 1.375 x .4375
57	741-0748	Bush, Flg, .5 ID x .627 OD

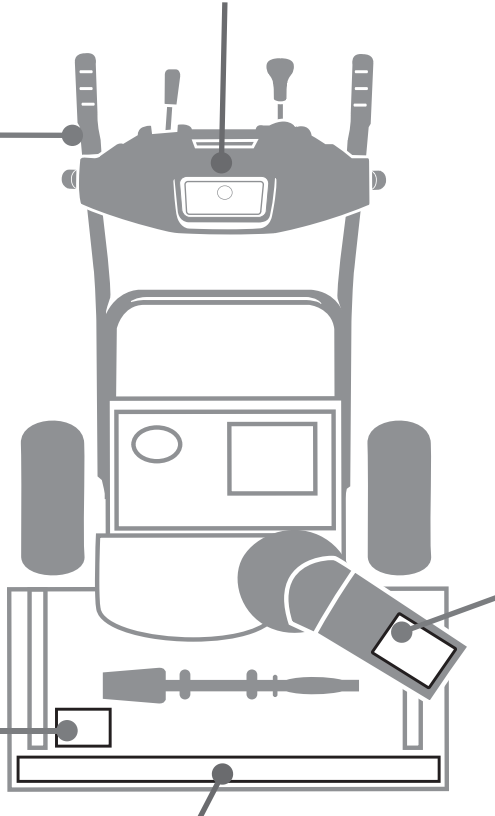
Ref.	Part Number	Description
58	746-04337	Steering Cable, 35.97" Long
59	946-0951A	Cable, Auger Idler
60	747-0973	Rod, Drive Clutch
61	750-04703	Spacer, 1.0 ID x 1.50 OD
62	750-04717	Spacer, .51 ID x 7.895 Lg.
63	750-04718	Spacer, .51 ID x 3.66 Lg.
64	750-04719	Spacer, .5151 ID x .750 OD x .220
65	750-05342	Spacer, .566 ID x .87 OD x .190
66	750-05343	Spacer, .566 ID x .87 OD x 1.25
67	750-0903B	Spacer, .514 x .632 x 2.44
68	950-0997	Spacer, .675 x 1.0 x .23
69	750-1302B	Spacer, .6725 x 1.125 x 2.48
70	756-0344	Pulley, Auger
71	756-0625	Roller, Cable
72	784-0404	Bearing Retaining Bracket
73	784-0406A-0637	Bracket, Frame Support
74	784-0407-0637	Bracket, Axle Support
75	790-00217A	Speed Selector Pivot Bracket
76	790-00218A	Speed Selector Shift Bracket
77	790-00349	Transmission Frame
78	684-04169	Idler Pulley Assembly
79	710-0157	Screw, Hex Cap, 5/16-24
80	710-0191	Hex Hd. Screw, 3/8-24 x 1.25 GR8
81	710-0607	Screw, Hx Wash Hd Tapp
82	710-0624	Screw, Hex Cap, 5/16-24 x 1.50
83	710-0654A	Screw, 3/8-16 x 1.00
84	710-0809	Screw, 1/4-20 x 1.25
85	710-1245B	Hex Head Screw, 5/16-24 x .875
86	710-3037	Hex Head Screw, 3/8-16 x 1.75
87	914-0105	Square Key, 3/16 x 1.00
88	926-04012	Nut, Push
89	931-2531	Cover, Belt
90	732-04308A	Torsion Spring, .850 dia. x .333 lg.
91	936-0119	Washer, Lock, 5/16
92	736-0247	Washer, Flat, .406 x 1.25
93	736-3092	Washer, Flat, .265 x 1.0 x .030
94	748-0234	Spacer, Shoulder
95	748-04112B	Shoulder Spcr., .3175 x .500 x .094
96	750-04571	Shoulder Spacer, .260 x .785 x .538
97	750-04821	Shoulder Spacer, .340 x 1.00
98	950-04020	Spacer, 1.155 ID x 1.78 OD x .150
99	756-0344	Pulley, Drive
100	954-04194A	V-Belt, 4L x 44.60 Lg.
101	954-04202	V Belt, 3/8 x 36.68
102	756-0178	Pulley, Flat Idler, 2.75 OD
103	756-04351	Double Pulley, 3.25 x 2.75
104	784-0385C	Bracket, Auger Idler
105	790-00167A-0637	Belt Keeper Bracket
106	790-00208C	Idler Drive Wheel Bracket
107	790-00254A-0637	Belt Cover Bracket
108	914-0149B	Pin, Internal Cotter
109	634-0225A-0911	Wheel Ass'y. - LH
	634-0226A-0911	Wheel Ass'y. - RH
	734-2031	Tire
	934-0255	Valve
	741-0246A	Bearing
110.	711-04607	Axle, Wheel, 33"
111.	711-04615	Pin, Clevis

# Snow Thrower Labels

1.) 777D13725



3.) 777I22363  
Facing Operator



4.) 777S32280



5.) 777S32636  
Front Top Of Auger Housing  
Cut Foot Pictorial Facing  
Away From Operator



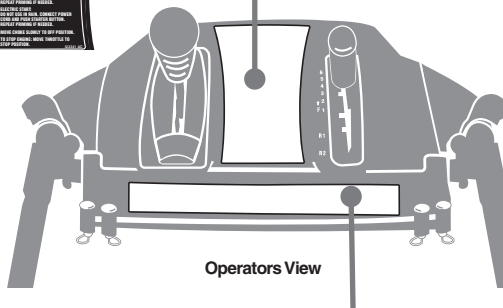
2.) 777D13738



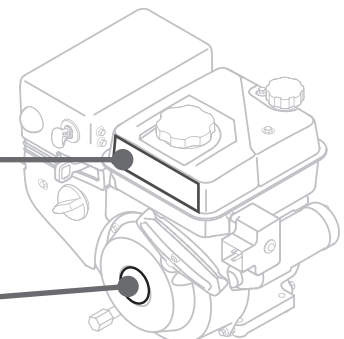
777D13739



6.) 777I22341

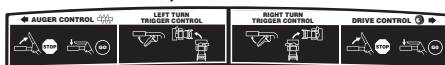


8.) 777D13727



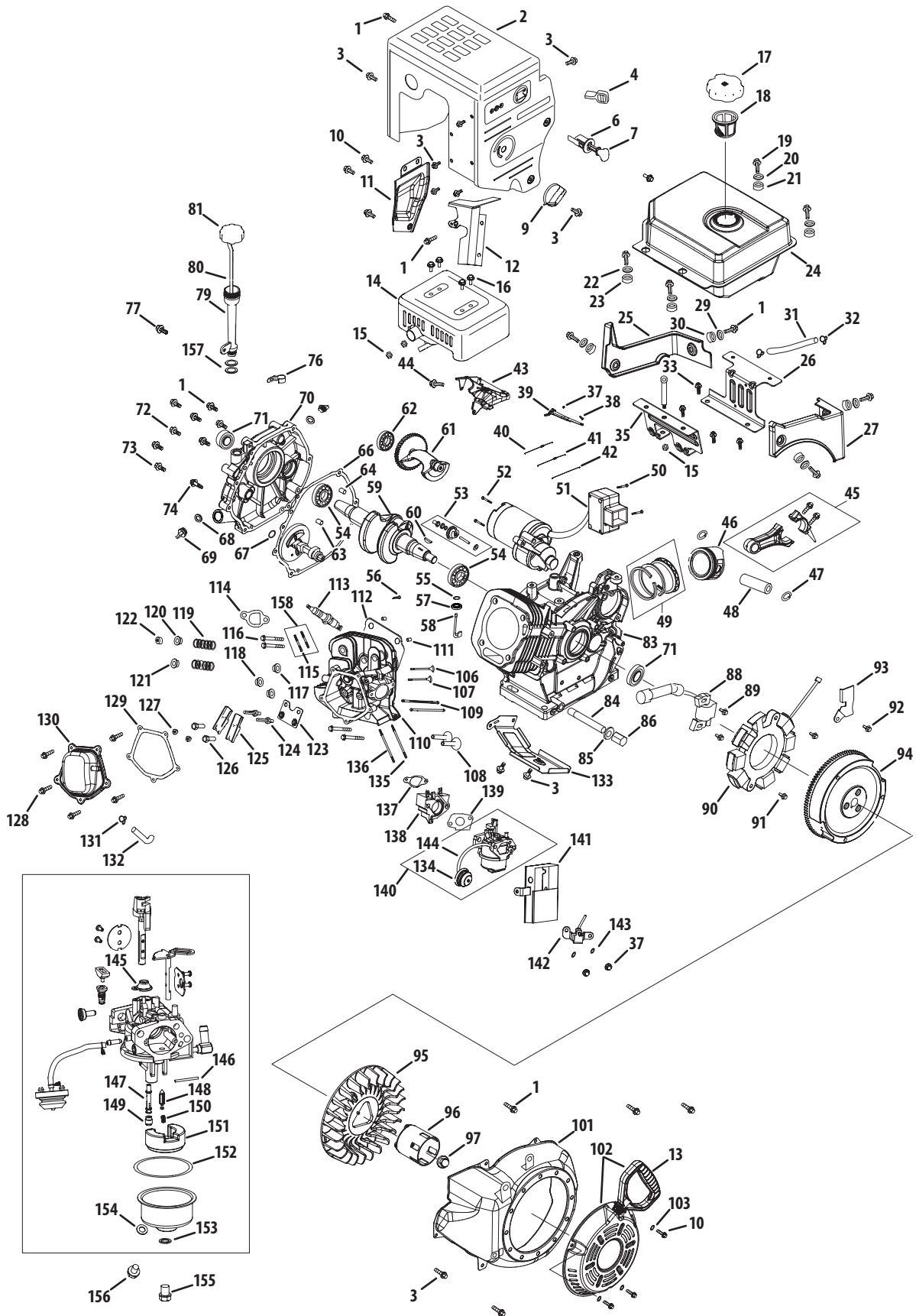
9.) 777D13730

7.) 777I22340



<b>Ref.</b>	<b>Part Number</b>	<b>Description</b>
1.	777D13725	Cub Cadet Panel Label
2.	777D13738	Auger Housing Label 30" Units
	777D13739	Auger Housing Label 33" Units
3.	777I22363	Auger Drive Label
4.	777S32280	Chute Danger Label
5.	777S32636	Auger Housing Danger Label
6.	777I22341	Handle Panel Chute Instructions
7.	777I22340	Handle Panel Drive Instructions
8.	777D13727	Cub Cadet Fuel Tank Label
9.	777D13730	OHV Recoil Starter Label

# 357cc ZS 483-SU Engine



## 357cc ZS 483-SU Engine

Ref.	Part Number	Description	Ref.	Part Number	Description
1	951-11012	Bolt, M6 X 16	54	751-11373	Bearing
2	951-11339	Muffler Shield	55	736-04453	Governor Shaft Washer
3	710-04915	Bolt, M6x12, Zinc Coating	56	714-04077	Governor Shaft Clip
4	951-11224	Throttle Control Knob	58	751-11365	Governor Arm Shaft
6	951-10637	Ignition Switch Assembly	60	951-10307	Flywheel Key
7	731-05632	Key	63	715-04102	Dowel Pin
9	951-11302	Choke Knob	64	715-04096	Dowel Pin, 7 X 14
10	710-04914	Bolt, Flange, M6x10	66	751-11376	Crankcase Cover Gasket
11	951-11181	Muffler Baffle	67	736-04476	Washer
12	951-11321	Carburetor Heat Shield	71	751-11375	Oil Seal
13	731-05696	Starter Handle	72	710-04971	Flange Bolt, M8 X 38
14	951-11338	Muffler Assembly	73	710-04972	Bolt, M8 X 45
15	712-04219	Nut, M8 - 1.25	74	710-05052	Bolt, M8 X 35
16	710-05051	Bolt	76	951-11320	Oil Tube Support Bracket
17	951-10649	Fuel Cap	77	710-04968	Flange Bolt M6 X 16
18	951-10652	Fuel Filter	79	951-11206	Dipstick Tube
19	710-04970	Flange Bolt, M8 X 20	84	951-11350	Oil Drain Pipe
20	736-04450	Flat Washer	85	736-04440	Oil Drain Washer
21	750-05312	Bushing	86	710-04906	Oil Drain Plug
22	736-04451	Flat Washer	88	951-11305	Ignition Coil
23	750-05313	Bushing	89	710-04920	Bolt, Flange, M6x28
24	951-11201	Fuel Tank	90	951-11216	Stator
25	951-11319	Fuel Tank Shroud	91	710-04969	Flange Bolt, M6 X 30
26	951-11318	Fuel Tank Mounting Bracket	92	710-04966	Flange Bolt, M6 X 8
27	951-11189	Engine Shroud	93	951-11186	Alternator Wire Clamp Bracket
29	736-04452	Flat Washer	94	951-11312	Flywheel
30	750-05314	Bushing	95	951-11313	Cooling Fan
33	710-04921	Bolt, Flange, M8x14	96	951-11314	Starter Cup
35	951-11182	Fuel Tank Mounting Bracket	97	712-04220	Nut, M16 - 1.5
37	712-04211	Nut, Flange, M6	101	951-11211	Blower Housing
38	710-04908	Bolt, M6x21, Governor Arm	102	951-11310	Recoil Starter Assembly
39	951-11307	Governor Arm Bracket	103	736-04455	Flat Washer Recoil
40	951-11306	Governor Spring	111	715-04097	Dowel Pin, 12 X 20
41	951-11203	Throttle Return Spring	113	951-10292	Spark Plug
42	951-11309	Governor Rod	114	951-11212	Muffler Gasket
43	951-11311	Throttle Control Assembly	115	710-04964	Exhaust Stud
44	710-04916	Bolt, Flange, M6 x 14	116	710-05053	Flange Bolt, M10-1.25 X 87
50	710-04965	Screw, M4 X 55	124	710-04962	Rocker Stud Bolt
51	951-11196	Electric Starter	126	751-11123	Pivot Adjusting Nut
52	710-04967	Flange Bolt, M8 X 55	127	751-11124	Pivot Locking Nut

## 357cc ZS 483-SU Engine

Ref.	Part Number	Description
128	710-05054	Bolt - Valve Cover, M6 X 16
130	951-11220	Valve Cover
131	726-04101	Breather Hose Clip
132	951-11221	Breather Hose
133	951-11317	Cylinder Baffle
134	951-10639	Primer
135	710-05055	Carburetor Stud, M6 X 8 X 98
136	710-05056	Carburetor Stud, M6 X 8 X 118
137	951-11315	Intake Gasket
138	951-11316	Carburetor Insulator
139	951-11223	Carburetor Gasket
140	951-11303	Carburetor Assembly
141	951-11304	Heater Box
142	951-11192	Choke Assembly
143	736-04477	Lock Washer
144	951-10324	Primer Hose
153	951-11348	Fuel Bowl Gasket
154	951-11349	Fuel Drain Plug Gasket
155	710-04945	Fuel Bowl Mounting Bolt
156	710-04903	Fuel Drain Plug
157	951-11381	O-Ring
	951-10651	Fuel Tank Nipple (Not Shown)
	752Z483-SU	Engine Complete
—	951-11340	Crankcase Cover Kit
54	951-11373	Bearing
66	951-11376	Crankcase Cover Gasket
67	736-04476	Washer
70	—	Crankcase Cover
71	751-11375	Oil Seal
72	710-04971	Flange Bolt, M8 X 38
73	710-04972	Bolt, M8 X 45
—	951-11342	Crankshaft Kit
54	951-11373	Bearing
59	—	Crankshaft Assembly
60	951-10307	Flywheel Key
71	951-11375	Oil Seal
—	951-11341	Crankcase Kit
54	951-11373	Bearing
57	—	Oil Seal -Governor Shaft
71	951-11375	Oil Seal
83	—	Crankcase

Ref.	Part Number	Description
—	951-11328	Shortblock Assembly
45	—	Connecting Rod Ass'y Complete
46	—	Piston
47	—	Piston Pin Clip
48	—	Piston Pin
49	—	Piston Ring Set - Complete
53	—	Governor Assembly
54	951-11373	Bearing
55	736-04453	Governor Shaft Washer
56	714-04077	Governor Shaft Clip
57	—	Oil Seal -Governor Shaft
58	951-11365	Governor Arm Shaft
59	—	Crankshaft Assembly
60	951-10307	Flywheel Key
61	—	Camshaft Assembly
62	—	Bearing
63	715-04102	Dowel Pin
64	715-04096	Dowel Pin, 7 x 14
66	951-11376	Crankcase Cover Gasket
67	736-04476	Washer
70	—	Crankcase Cover
71	951-11375	Oil Seal
72	710-04971	Bolt
73	710-04972	Bolt, M8 X 45
74	710-05052	Bolt, M8 X 35
83	—	Crankcase
84	951-11350	Oil Drain Pipe
85	736-04440	Oil Drain Washer
86	710-04906	Oil Drain Plug
108	—	Valve Lifter (Tappet)
111	715-04097	Dowel Pin
112	—	Cylinder Head Gasket
114	951-11212	Muffler Gasket
116	710-05053	Flange Bolt, M10-1.25 X 87
129	—	Valve Cover Gasket
137	951-11315	Intake Gasket
138	951-11316	Carburetor Insulator
—	951-11335	Push Rod Kit
109	—	Push Rod
158	951-11207	Muffler Stud Assembly
115	710-04964	Exhaust Stud

## 357cc ZS 483-SU Engine

Ref.	Part Number	Description
—	951-10641	Oil Drain Assembly
84	951-11350	Oil Drain Pipe
85	736-04440	Drain Plug Washer
86	710-04906	Drain Plug
—	951-11329	Cylinder Head Ass'y
106	—	Exhaust Valve
107	—	Intake Valve
110	—	Cylinder Head
112	—	Cylinder Head Gasket
114	951-11212	Muffler Gasket
115	710-04964	Exhaust Stud
116	710-05053	Flange Bolt, M10-1.25 X 87
117	—	Intake Valve Seal
118	—	Valve Spring Retainer
119	—	Valve Spring
120	—	Valve Spring Retainers - Exhaust
121	—	Valve Spring Retainer- Intake
122	—	Exhaust Valve Cap
123	—	Push Rod Guide
124	710-04962	Rocker Stud Bolt
125	—	Rocker Arm
126	751-11123	Pivot Adjusting Nut
127	751-11124	Pivot Locking Nut
129	—	Valve Cover Gasket
135	710-05055	Carburetor Stud, M6 X 8 X 98
136	710-05056	Carburetor Stud, M6 X 8 X 118
137	951-11315	Intake Gasket
138	951-11316	Carburetor Insulator
—	951-11330	Gasket Kit - Complete
57	—	Oil Seal -Governor Shaft
66	951-11376	Crankcase Cover Gasket
71	951-11375	Oil Seal
85	736-04440	Oil Drain Washer
112	—	Cylinder Head Gasket
114	951-11212	Muffler Gasket
129	—	Valve Cover Gasket
137	951-11315	Intake Gasket
138	951-11316	Carburetor Insulator
139	951-11223	Carburetor Gasket

Ref.	Part Number	Description
—	951-11205	Dipstick Assembly
80	—	Dipstick
81	—	Oil Cap
—	951-11331	Gasket Kit - External
85	736-04440	Oil Drain Washer
114	951-11212	Muffler Gasket
129	—	Valve Cover Gasket
137	951-11315	Intake Gasket
138	951-11316	Carburetor Insulator
139	951-11223	Carburetor Gasket
—	951-11336	Fuel Line Kit
31	—	Fuel Line
32	—	Fuel Line Clamp
—	951-11345	Oil Filler Plug Assembly
68	—	O-Ring
69	—	Oil Fill Plug
—	951-11332	Carburetor Kit - Major
145	—	Throttle Pressure Plate
146	—	Float Pin
147	—	Main Nozzle
148	—	Needle Valve
149	—	Main Jet
150	—	Needle Valve Spring
151	—	Float
152	—	Bowl Gasket
153	951-11348	Fuel Bowl Gasket
154	951-11349	Fuel Drain Plug Gasket
—	951-11334	Cylinder Head Kit
112	—	Cylinder Head Gasket
116	710-05053	Flange Bolt, M10-1.25 X 87
117	—	Intake Valve Seal
129	—	Valve Cover Gasket
—	951-11333	Valve Cover Kit
129	—	Valve Cover Gasket
130	951-11220	Valve Cover
—	951-11337	Valve Kit
106	—	Exhaust Valve
107	—	Intake Valve







To order replacement parts, call the Customer Dealer Referral Line at 1-877-282-8684  
or visit [www.cubcadet.com](http://www.cubcadet.com) to find the nearest Cub Cadet dealer in your area.

---

**CUB CADET LLC, P.O. BOX 361131 CLEVELAND, OHIO 44136-0019**

---