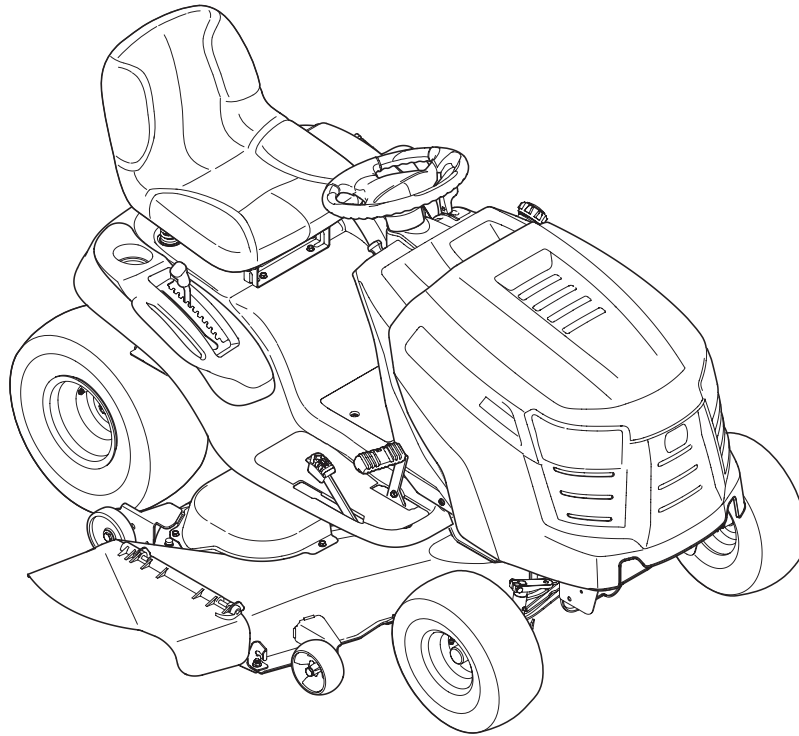


Cub Cadet[®]

OPERATOR'S MANUAL



Hydrostatic Lawn Tractor LTX1050KW & , LTX1050KH

⚠ WARNING

**READ AND FOLLOW ALL SAFETY RULES AND INSTRUCTIONS IN THIS MANUAL
BEFORE ATTEMPTING TO OPERATE THIS MACHINE.
FAILURE TO COMPLY WITH THESE INSTRUCTIONS MAY RESULT IN PERSONAL INJURY.**

**CUB CADET LLC, 97 KENT AVENUE, KITCHENER, ON N2G 4J1
LES DISTRIBUTIONS RVI LIMITÉE, 2955, JEAN-BAPTISTE DESCHAMPS, LACHINE, QUEBEC H8T 1C5**

Thank You

Thank you for purchasing equipment manufactured by Cub Cadet LLC. It was carefully engineered to provide excellent performance when properly operated and maintained.

Please read this entire manual prior to operating the equipment. It instructs you how to safely and easily set up, operate and maintain your machine. Please be sure that you, and any other persons who will operate the machine, carefully follow the recommended safety practices at all times. Failure to do so could result in personal injury or property damage.

All information in this manual is relative to the most recent product information available at the time of printing. Review this manual frequently to familiarize yourself with the machine, its features and operation. Please be aware that this Operator's Manual may cover a range of product specifications for various models. Characteristics and features discussed and/or illustrated in this manual may not be applicable to all models. Cub Cadet

LLC reserves the right to change product specifications, designs and equipment without notice and without incurring obligation.

If you have any problems or questions concerning the machine, phone your local Cub Cadet dealer or contact us directly. Cub Cadet's Customer Support telephone numbers, website address and mailing address can be found on this page. We want to ensure your complete satisfaction at all times.

Throughout this manual, all references to *right* and *left* side of the machine are observed from the operating position.

The engine manufacturer is responsible for all engine-related issues with regards to performance, power-rating, specifications, warranty and service. Please refer to the engine manufacturer's Owner's/Operator's Manual, packed separately with your machine, for more information.

Table of Contents

<i>Safe Operation Practices</i>	3	<i>Troubleshooting</i>	29
<i>Assembly & Set-Up</i>	9	<i>Replacement Parts</i>	30
<i>Controls & Features</i>	12	<i>Attachments & Accessories</i>	31
<i>Operation</i>	15	<i>Emission control warranty statement</i>	32
<i>Maintenance & Adjustment</i>	19	<i>Warranty</i>	34
<i>Service</i>	24		

Record Product Information

Before setting up and operating your new equipment, please locate the model plate on the equipment and record the information in the provided area to the right. You can locate the model plate under the operator's seat. Flip the seat forward to view the model plate. This information will be necessary, should you seek technical support via our web site or with your local Cub Cadet dealer.

MODEL NUMBER

--	--	--	--	--	--	--	--	--	--	--	--

SERIAL NUMBER

--	--	--	--	--	--	--	--	--	--	--	--

Customer Support

If you have difficulty assembling this product or have any questions regarding the controls, operation, or maintenance of this machine, you can seek help from the experts. Choose from the options below:

- ◇ Visit our web at www.cubcadet.ca
- ◇ Locate your nearest dealer at: 1-800-668-1238
- ◇ Contact Cub Cadet, 60 Ottawa St. S., Kitchener, ON N2G 3S7 Phone: 1-800-567-6775 or
LES DISTRIBUTIONS RVI LIMITÉE, 29,55, Jean-Baptiste Deschamps, Lachine, Quebec H8T 1C5 Phone: 1-800-361-5770



WARNING: This symbol points out important safety instructions which, if not followed, could endanger the personal safety and/or property of yourself and others. Read and follow all instructions in this manual before attempting to operate this machine. Failure to comply with these instructions may result in personal injury.

When you see this symbol. **HEED ITS WARNING!**



WARNING: Engine Exhaust, some of its constituents, and certain vehicle components contain or emit chemicals known to State of California to cause cancer and birth defects or other reproductive harm.



WARNING: Battery posts, terminals, and related accessories contain lead and lead compounds, chemicals known to the State of California to cause cancer and reproductive harm. *Wash hands after handling.*



DANGER: This machine was built to be operated according to the safe operation practices in this manual. As with any type of power equipment, carelessness or error on the part of the operator can result in serious injury. This machine is capable of amputating fingers, hands, toes and feet and throwing objects. Failure to observe the following safety instructions could result in serious injury or death.

General Operation

1. Read, understand, and follow all instructions on the machine and in the manual(s) before attempting to assemble and operate. Keep this manual in a safe place for future and regular reference and for ordering replacement parts.
2. Be familiar with all controls and their proper operation. Know how to stop the machine and disengage them quickly.
3. Never allow children under 14 years of age to operate this machine. Children 14 and over should read and understand the instructions and safe operation practices in this manual and on the machine and should be trained and supervised by an adult.
4. Never allow adults to operate this machine without proper instruction.
5. To help avoid blade contact or a thrown object injury, keep bystanders, helpers, children and pets at least 75 feet from the machine while it is in operation. Stop machine if anyone enters the area.
6. Thoroughly inspect the area where the equipment is to be used. Remove all stones, sticks, wire, bones, toys, and other foreign objects which could be picked up and thrown by the blade(s). Thrown objects can cause serious personal injury.
7. Plan your mowing pattern to avoid discharge of material toward roads, sidewalks, bystanders and the like. Also, avoid discharging material against a wall or obstruction which may cause discharged material to ricochet back toward the operator.
8. Always wear safety glasses or safety goggles during operation and while performing an adjustment or repair to protect your eyes. Thrown objects which ricochet can cause serious injury to the eyes.
9. Wear sturdy, rough-soled work shoes and close-fitting slacks and shirts. Loose fitting clothes and jewelry can be caught in movable parts. Never operate this machine in bare feet or sandals.
10. Be aware of the mower and attachment discharge direction and do not point it at anyone. Do not operate the mower without the discharge cover or entire grass catcher in its proper place.
11. Do not put hands or feet near rotating parts or under the cutting deck. Contact with the blade(s) can amputate hands and feet.
12. A missing or damaged discharge cover can cause blade contact or thrown object injuries.
13. Stop the blade(s) when crossing gravel drives, walks, or roads and while not cutting grass.
14. Watch for traffic when operating near or crossing roadways. This machine is not intended for use on any public roadway.
15. Do not operate the machine while under the influence of alcohol or drugs.

16. Mow only in daylight or good artificial light.
17. Never carry passengers.
18. Disengage blade(s) before shifting into reverse. Back up slowly. Always look down and behind before and while backing to avoid a back-over accident.
19. Slow down before turning. Operate the machine smoothly. Avoid erratic operation and excessive speed.
20. Disengage blade(s), set parking brake, stop engine and wait until the blade(s) come to a complete stop before removing grass catcher, emptying grass, unclogging chute, removing any grass or debris, or making any adjustments.
21. Never leave a running machine unattended. Always turn off blade(s), place transmission in neutral, set parking brake, stop engine and remove key before dismounting.
22. Use extra care when loading or unloading the machine into a trailer or truck. This machine should not be driven up or down ramp(s), because the machine could tip over, causing serious personal injury. The machine must be pushed manually on ramp(s) to load or unload properly.
23. Muffler and engine become hot and can cause a burn. Do not touch.
24. Check overhead clearances carefully before driving under low hanging tree branches, wires, door openings etc., where the operator may be struck or pulled from the machine, which could result in serious injury.
25. Disengage all attachment clutches, depress the brake pedal completely and shift into neutral before attempting to start engine.
26. Your machine is designed to cut normal residential grass of a height no more than 10". Do not attempt to mow through unusually tall, dry grass (e.g., pasture) or piles of dry leaves. Dry grass or leaves may contact the engine exhaust and/or build up on the mower deck presenting a potential fire hazard.
27. Use only accessories and attachments approved for this machine by the machine manufacturer. Read, understand and follow all instructions provided with the approved accessory or attachment.
28. Data indicates that operators, age 60 years and above, are involved in a large percentage of riding mower-related injuries. These operators should evaluate their ability to operate the riding mower safely enough to protect themselves and others from serious injury.
29. If situations occur which are not covered in this manual, use care and good judgment. Contact your customer service representative for assistance.

Slope Operation

Slopes are a major factor related to loss of control and tip-over accidents which can result in severe injury or death. All slopes require extra caution. If you cannot back up the slope or if you feel uneasy on it, do not mow it.

For your safety, use the slope gauge included as part of this manual to measure slopes before operating this machine on a sloped or hilly area. If the slope is greater than 15 degrees as shown on the slope gauge, do not operate this machine on that area or serious injury could result.

Do:

1. Mow up and down slopes, not across. Exercise extreme caution when changing direction on slopes.
2. Watch for holes, ruts, bumps, rocks, or other hidden objects. Uneven terrain could overturn the machine. Tall grass can hide obstacles.
3. Use slow speed. Choose a low enough speed setting so that you will not have to stop or shift while on the slope. Tires may lose traction on slopes even though the brakes are functioning properly. Always keep machine in gear when going down slopes to take advantage of engine braking action.
4. Follow the manufacturer's recommendations for wheel weights or counterweights to improve stability.
5. Use extra care with grass catchers or other attachments. These can change the stability of the machine.
6. Keep all movement on the slopes slow and gradual. Do not make sudden changes in speed or direction. Rapid engagement or braking could cause the front of the machine to lift and rapidly flip over backwards which could cause serious injury.
7. Avoid starting or stopping on a slope. If tires lose traction, disengage the blade(s) and proceed slowly straight down the slope.

Do Not:

1. Do not turn on slopes unless necessary; then, turn slowly and gradually downhill, if possible.
2. Do not mow near drop-offs, ditches or embankments. The mower could suddenly turn over if a wheel is over the edge of a cliff, ditch, or if an edge caves in.
3. Do not try to stabilize the machine by putting your foot on the ground.
4. Do not use a grass catcher on steep slopes.
5. Do not mow on wet grass. Reduced traction could cause sliding.
6. Do not shift to neutral and coast downhill. Over-speeding may cause the operator to lose control of the machine resulting in serious injury or death.
7. Do not tow heavy pull behind attachments (e.g. loaded dump cart, lawn roller, etc.) on slopes greater than 5 degrees. When going down hill, the extra weight tends to push the tractor and may cause you to lose control (e.g. tractor may speed up, braking and steering ability are reduced, attachment may jack-knife and cause tractor to overturn).

Children

1. Tragic accidents can occur if the operator is not alert to the presence of children. Children are often attracted to the machine and the mowing activity. They do not understand the dangers. Never assume that children will remain where you last saw them.
 - a. Keep children out of the mowing area and in watchful care of a responsible adult other than the operator.

- b. Be alert and turn machine off if a child enters the area.
 - c. Before and while backing, look behind and down for small children.
 - d. Never carry children, even with the blade(s) shut off. They may fall off and be seriously injured or interfere with safe machine operation.
 - e. Use extreme care when approaching blind corners, doorways, shrubs, trees or other objects that may block your vision of a child who may run into the path of the machine.
 - f. **To avoid back-over accidents, always disengage the cutting blade(s) before shifting into Reverse. If equipped, the "Reverse Caution Mode" should not be used when children or others are around.**
 - g. Keep children away from hot or running engines. They can suffer burns from a hot muffler.
 - h. Remove key when machine is unattended to prevent unauthorized operation.
2. Never allow children under 14 years of age to operate this machine. Children 14 and over should read and understand the instructions and safe operation practices in this manual and on the machine and should be trained and supervised by an adult.

Towing

1. Tow only with a machine that has a hitch designed for towing. Do not attach towed equipment except at the hitch point.
2. Follow the manufacturers recommendation for weight limits for towed equipment and towing on slopes.
3. Never allow children or others in or on towed equipment.
4. On slopes, the weight of the towed equipment may cause loss of traction and loss of control.
5. Always use extra caution when towing with a machine capable of making tight turns (e.g. "zero-turn" ride-on mower). Make wide turns to avoid jack-knifing.
6. Travel slowly and allow extra distance to stop.
7. Do not shift to neutral and coast downhill.

Service

Safe Handling of Gasoline:

1. To avoid personal injury or property damage use extreme care in handling gasoline. **Gasoline is extremely flammable and the vapors are explosive.** Serious personal injury can occur when gasoline is spilled on yourself or your clothes which can ignite. Wash your skin and change clothes immediately.
 - a. Use only an approved gasoline container.
 - b. Never fill containers inside a vehicle or on a truck or trailer bed with a plastic liner. Always place containers on the ground away from your vehicle before filling.

- c. When practical, remove gas-powered equipment from the truck or trailer and refuel it on the ground. If this is not possible, then refuel such equipment on a trailer with a portable container, rather than from a gasoline dispenser nozzle.
- d. Keep the nozzle in contact with the rim of the fuel tank or container opening at all times until fueling is complete. Do not use a nozzle lock-open device.
- e. Extinguish all cigarettes, cigars, pipes and other sources of ignition.
- f. Never fuel machine indoors.
- g. Never remove gas cap or add fuel while the engine is hot or running. Allow engine to cool at least two minutes before refueling.
- h. Never over fill fuel tank. Fill tank to no more than ½ inch below bottom of filler neck to allow space for fuel expansion.
- i. Replace gasoline cap and tighten securely.
- j. If gasoline is spilled, wipe it off the engine and equipment. Move machine to another area. Wait 5 minutes before starting the engine.
- k. To reduce fire hazards, keep machine free of grass, leaves, or other debris build-up. Clean up oil or fuel spillage and remove any fuel soaked debris.
- l. Never store the machine or fuel container inside where there is an open flame, spark or pilot light as on a water heater, space heater, furnace, clothes dryer or other gas appliances.
- m. Allow a machine to cool at least five minutes before storing.

General Service

1. Never run an engine indoors or in a poorly ventilated area. Engine exhaust contains carbon monoxide, an odorless, and deadly gas.
2. Before cleaning, repairing, or inspecting, make certain the blade(s) and all moving parts have stopped. Disconnect the spark plug wire and ground against the engine to prevent unintended starting.
3. Periodically check to make sure the blades come to complete stop within approximately (5) five seconds after operating the blade disengagement control. If the blades do not stop within the this time frame, your machine should be serviced professionally by an authorized Service Dealer.
4. Check brake operation frequently as it is subjected to wear during normal operation. Adjust and service as required.
5. Check the blade(s) and engine mounting bolts at frequent intervals for proper tightness. Also, visually inspect blade(s) for damage (e.g., excessive wear, bent, cracked). Replace the blade(s) with the original equipment manufacturer's (O.E.M.) blade(s) only, listed in this manual. "Use of parts which do not meet the original equipment specifications may lead to improper performance and compromise safety!"

6. Mower blades are sharp. Wrap the blade or wear gloves, and use extra caution when servicing them.
7. Keep all nuts, bolts, and screws tight to be sure the equipment is in safe working condition.
8. Never tamper with the safety interlock system or other safety devices. Check their proper operation regularly.
9. After striking a foreign object, stop the engine, disconnect the spark plug wire(s) and ground against the engine. Thoroughly inspect the machine for any damage. Repair the damage before starting and operating.
10. Never attempt to make adjustments or repairs to the machine while the engine is running.
11. Grass catcher components and the discharge cover are subject to wear and damage which could expose moving parts or allow objects to be thrown. For safety protection, frequently check components and replace immediately with original equipment manufacturer's (O.E.M.) parts only, listed in this manual. "Use of parts which do not meet the original equipment specifications may lead to improper performance and compromise safety!"
12. Do not change the engine governor settings or over-speed the engine. The governor controls the maximum safe operating speed of the engine.
13. Maintain or replace safety and instruction labels, as necessary.
14. Observe proper disposal laws and regulations for gas, oil, etc. to protect the environment.
15. According to the Consumer Products Safety Commission (CPSC) and the U.S. Environmental Protection Agency (EPA), this product has an *Average Useful Life* of seven (7) years, or 270 hours of operation. At the end of the *Average Useful Life* have the machine inspected annually by an authorized service dealer to ensure that all mechanical and safety systems are working properly and not worn excessively. Failure to do so can result in accidents, injuries or death.

Do not modify engine

To avoid serious injury or death, do not modify engine in any way. Tampering with the governor setting can lead to a runaway engine and cause it to operate at unsafe speeds. Never tamper with factory setting of engine governor.

Notice Regarding Emissions

Engines which are certified to comply with California and federal EPA emission regulations for SORE (Small Off Road Equipment) are certified to operate on regular unleaded gasoline, and may include the following emission control systems: Engine Modification (EM), Oxidizing Catalyst (OC), Secondary Air Injection (SAI) and Three Way Catalyst (TWC) if so equipped.

Spark Arrestor



WARNING! This machine is equipped with an internal combustion engine and should not be used on or near any unimproved forest-covered, brushcovered or grass-covered land unless the engine's exhaust system is equipped with a spark arrester meeting applicable local or state laws (if any).

If a spark arrester is used, it should be maintained in effective working order by the operator.

A spark arrester for the muffler is available through your nearest engine authorized service dealer.











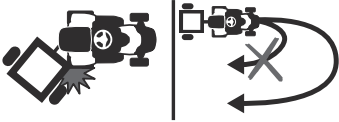


WARNING! Your Responsibility—Restrict the use of this power machine to persons who read, understand and follow the warnings and instructions in this manual and on the machine.

SAVE THESE INSTRUCTIONS!

Safety Symbols

This page depicts and describes safety symbols that may appear on this product. Read, understand, and follow all instructions on the machine before attempting to assemble and operate.

Symbol	Description
	<p>READ THE OPERATOR'S MANUAL(S) Read, understand, and follow all instructions in the manual(s) before attempting to assemble and operate</p>
	<p>DANGER— ROTATING BLADES Never carry passengers. Never carry children, even with the blades off.</p>
	<p>DANGER— ROTATING BLADES Always look down and behind before and while backing to avoid a back-over accident.</p>
	<p>WARNING— ROTATING BLADES Do not put hands or feet near rotating parts or under the cutting deck. Contact with the blade(s) can amputate hands and feet.</p>
	<p>WARNING—THROWN OBJECTS This machine may pick up and throw and objects which can cause serious personal injury.</p>
	<p>WARNING—THROWN OBJECTS This machine may pick up and throw and objects which can cause serious personal injury.</p>
	<p>BYSTANDERS Keep bystanders, helpers, children and pets at least 75 feet from the machine while it is in operation.</p>
	<p>WARNING— SLOPE OPERATION Do not operate this machine on a slope greater than 15 degrees.</p>
	<p>WARNING— HOT SURFACE Engine parts, especially the muffler, become extremely hot during operation. Allow engine and muffler to cool before touching.</p>
	<p>DANGER — ROTATING BLADES To reduce the risk of injury, keep hands and feet away. Do not operate unless discharge cover or grass catcher is in its proper place. If damaged, replace immediately.</p>
	<p>WARNING — TOWING Avoid jack-knifing when towing, go slow and make wide turns.</p>

Slope Gauge

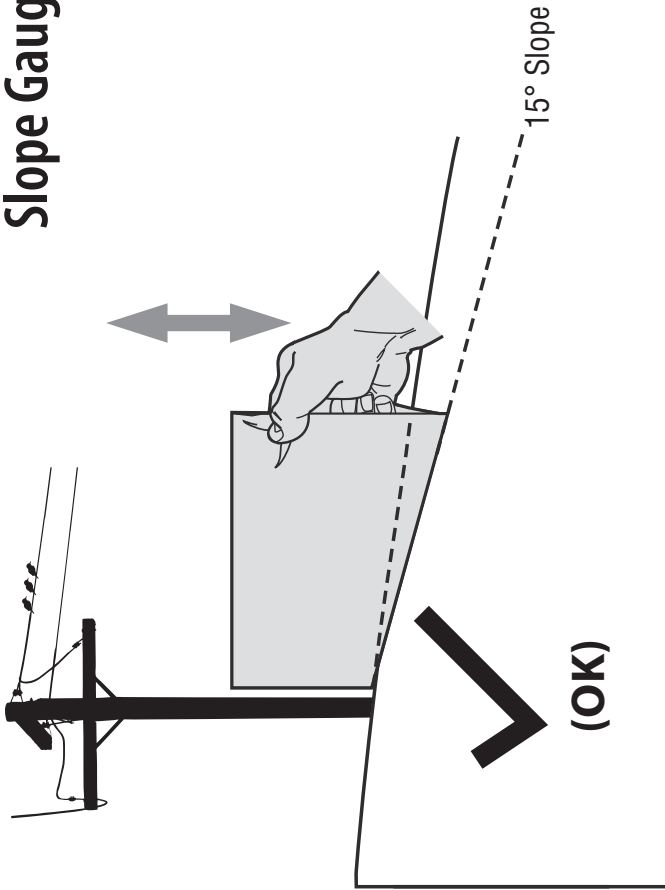


Figure 1

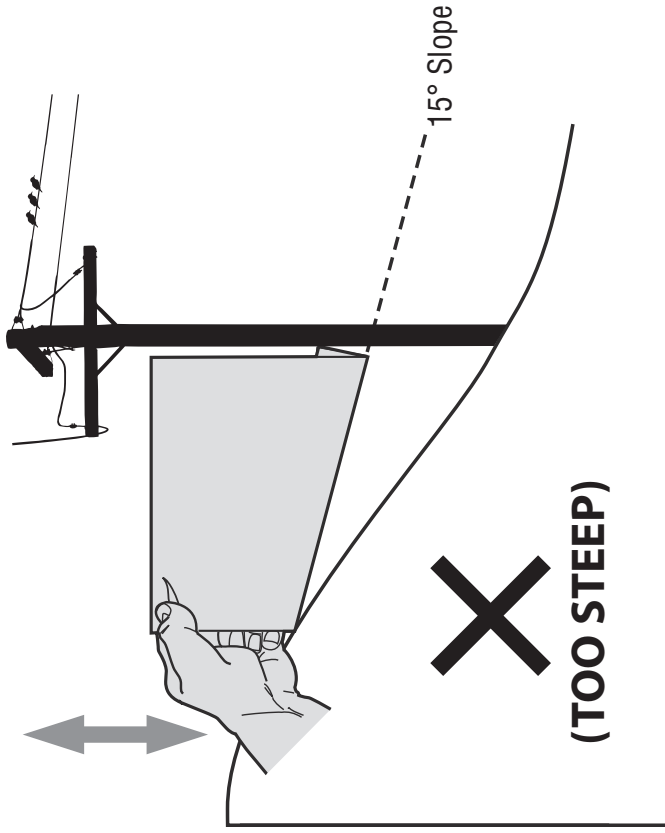
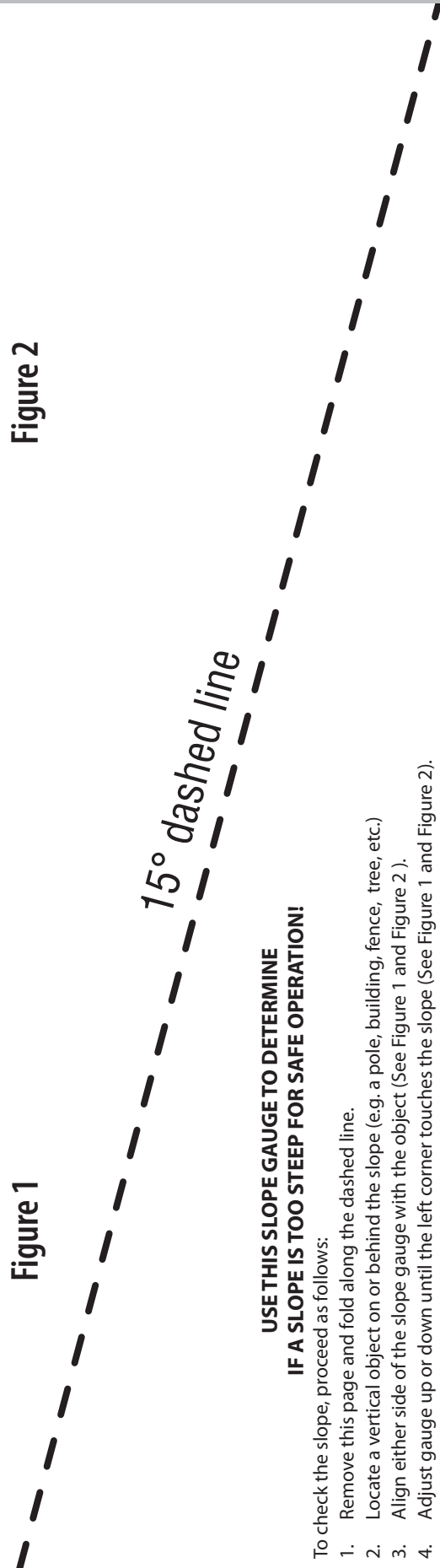


Figure 2



USE THIS SLOPE GAUGE TO DETERMINE IF A SLOPE IS TOO STEEP FOR SAFE OPERATION!

To check the slope, proceed as follows:

1. Remove this page and fold along the dashed line.
2. Locate a vertical object on or behind the slope (e.g. a pole, building, fence, tree, etc.)
3. Align either side of the slope gauge with the object (See Figure 1 and Figure 2).
4. Adjust gauge up or down until the left corner touches the slope (See Figure 1 and Figure 2).
5. If there is a gap below the gauge, the slope is too steep for safe operation (See Figure 2 above).



WARNING! Slopes are a major factor related to tip-over and roll-over accidents which can result in severe injury or death. Do not operate machine on slopes in excess of 15 degrees. All slopes require extra caution. If you cannot back up the slope or if you feel uneasy on it, do not mow it. Always mow up and down slopes, never across the face of slopes.

NOTE: This Operators Manual covers a range of product specifications for various models. Characteristics and features discussed and/or illustrated in this manual may not be applicable to all models.

Tractor Set-Up

Moving The Tractor Manually

Your tractor's transmission is equipped with a hydrostatic relief valve for occasions when it is necessary to move the tractor manually. Opening this valve permits the fluid in the transmission to bypass its normal route, allowing the rear tires to "freewheel." To open the hydrostatic relief valve, proceed as follows:

1. Locate the hydrostatic bypass rod in the rear of the tractor. See Fig. 3-1.
2. Pull the hydrostatic bypass rod outward, then down, to lock it in place.

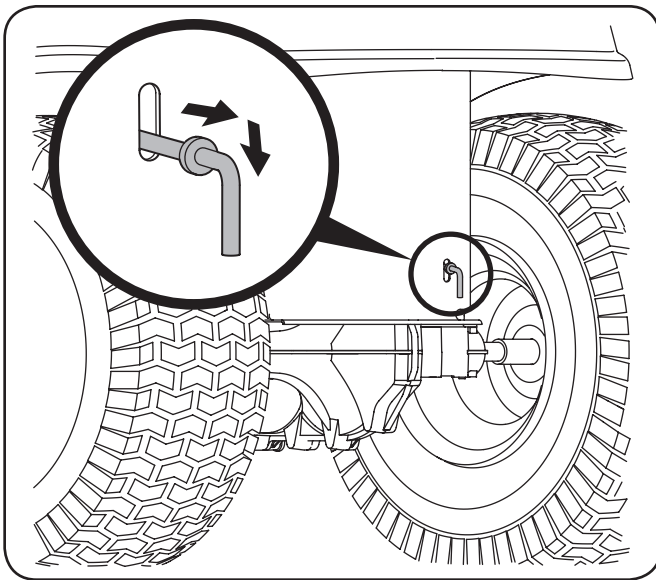


Figure 3-1

NOTE: The transmission will NOT engage when the hydrostatic bypass rod is pulled out. Return the rod to its normal position prior to operating the tractor.



CAUTION: Never attempt to move the tractor manually without first opening the hydrostatic relief valve. Doing so will result in serious damage to the tractor's transmission.

Shipping Brace Removal



WARNING! Make sure the lawn tractor's engine is off, set the parking brake and remove the ignition key before removing the shipping brace.

1. Locate the shipping brace, if present, and warning tag found on the right side of the cutting deck. See Fig. 3-2.

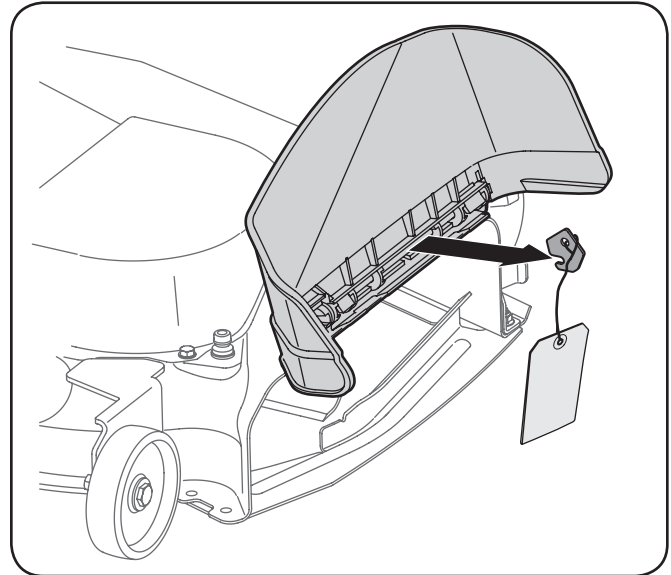


Figure 3-2

2. While holding the discharge chute with your left hand, remove the shipping brace with your right hand by grasping it between your thumb and index finger and rotating it clockwise.



WARNING! The shipping brace is used for packaging purposes only. Remove and discard the shipping brace before operating your lawn tractor.



WARNING! The mowing deck is capable of throwing objects. Failure to operate the riding mower with the discharge cover in the proper operating position could result in serious personal injury and/or property damage.

Connecting the Battery Cables



CAUTION: When attaching battery cables, always connect the POSITIVE (Red) wire to its terminal first, followed by the NEGATIVE (Black) wire.

For shipping reasons, both battery cables on your equipment may have been left disconnected from the terminals at the factory. To connect the battery cables, proceed as follows:

NOTE: The positive battery terminal is marked Pos. (+). The negative battery terminal is marked Neg. (-).

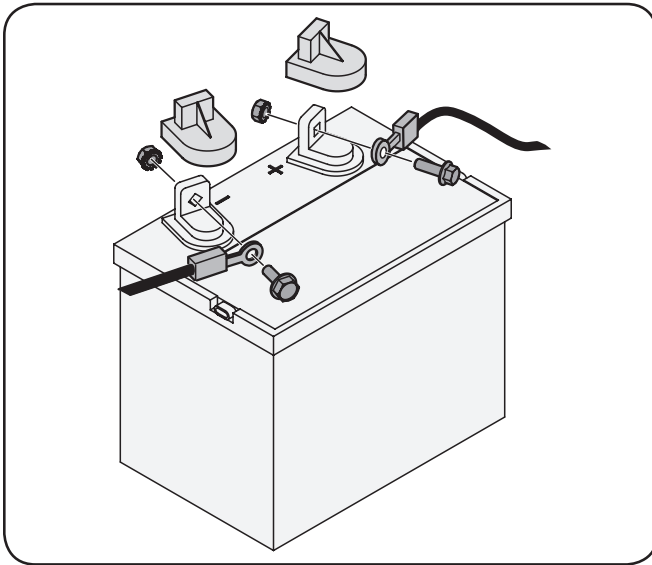


Figure 3-3

1. Remove the plastic cover, if present, from the positive battery terminal and attach the red cable to the positive battery terminal (+) with the bolt and hex nut. See Figure 3-3.
2. Remove the plastic cover, if present, from the negative battery terminal and attach the black cable to the negative battery terminal (-) with the bolt and hex nut. See Figure 3-3.
3. Position the red rubber boot over the positive battery terminal to help protect it from corrosion.

NOTE: If the battery is put into service after the date shown on top/side of battery, charge the battery as instructed in the Maintenance section your Operator's Manual prior to operating the tractor.

Checking Tire Pressure



WARNING! Do not overinflate tires. Check sidewall of tires for maximum psi. Equal tire pressure should be maintained at all times.

The tires on your tractor may be over inflated for shipping purposes. Reduce the tire pressure before operating the tractor. Check sidewall of tires for maximum psi.

Setting the Deck Gauge Wheels

Move the tractor on a firm and level surface, preferably pavement, and proceed as follows

1. Select the height position of the cutting deck by placing the deck lift lever in the normally desired mowing height setting (any of the six different cutting height notches on the right fender).
2. Check the gauge wheels for contact or excessive clearance with the surface below. The deck gauge wheels should have between ¼-inch and ½-inch clearance above the ground as follows:

If the gauge wheels have excessive clearance or contact with the surface, adjust as follows:

- a. Raise the deck lift handle to its highest setting.
- b. Remove the front and rear gauge wheels by removing the lock nuts and shoulder screws which secure them to the deck. See Fig. 3-4
- c. Place the deck lift lever in the desired mowing height setting.

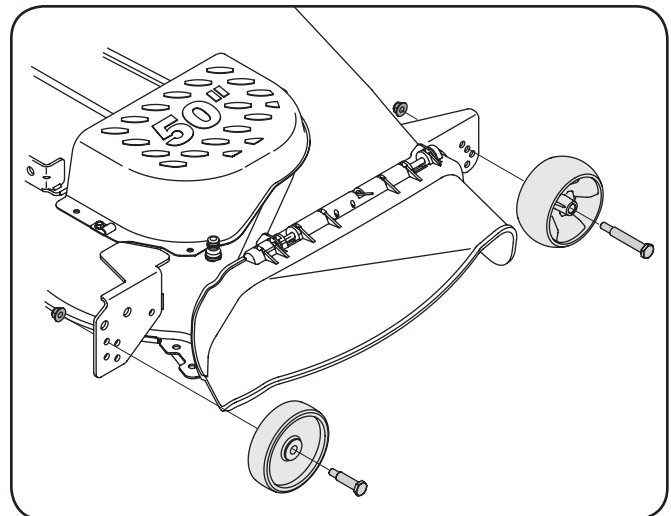


Figure 3-4

- d. Reinsert the shoulder screw (with each gauge wheel) into the index hole that leaves approximately ½-inch between the bottom of the wheel and the pavement.

Refer to **Leveling the Deck** in the Maintenance section of this manual for more detailed instructions regarding various deck adjustments.

Adjusting the Seat

To adjust the position of the seat, pull up and hold the seat adjustment lever. Slide the seat forward or rearward to the desired position; then release the adjustment lever. Make sure seat is locked into position before operating the tractor. See Figure 3-5.

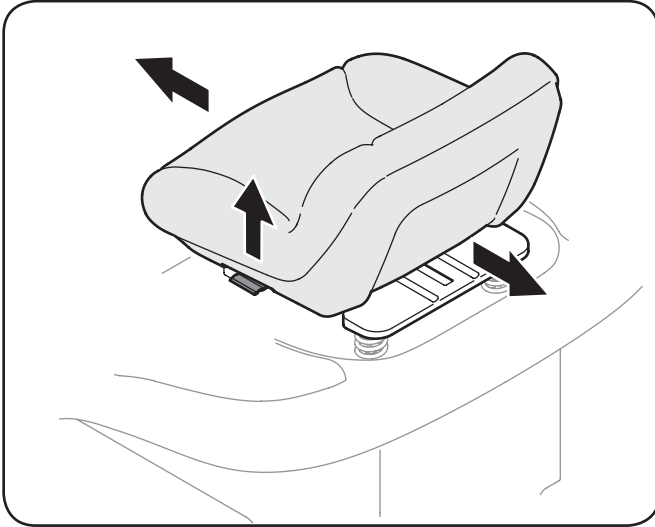


Figure 3-5



WARNING! Before operating the tractor, make sure the seat is engaged in the seat-stop. Engage the parking brake. Stand behind the machine and pull back on seat until it clicks into place.

Gas and Oil

The fuel tank is located under the hood. Remove the fuel cap by turning it counterclockwise. Use only clean, fresh (no more than 30 days old), unleaded gasoline. Do not overfill the tank.

IMPORTANT: STOP filling tank once fuel is seen inside the filler neck. This ensures that a proper expansion volume is created. Do NOT top off tank. See Figure 3-6.



WARNING! Use extreme care when handling gasoline. Gasoline is extremely flammable and the vapors are explosive. Never fuel the machine indoors or while the engine is hot or running. Extinguish cigarettes, cigars, pipes and other sources of ignition.

NOTE: Your tractor is shipped with oil in the engine. However, you **MUST** check the oil level before operating.



CAUTION: Always check the engine oil level before each use as instructed in the separate Engine Owner's Manual. Add oil as necessary. Failure to do so may result in serious damage to your engine.

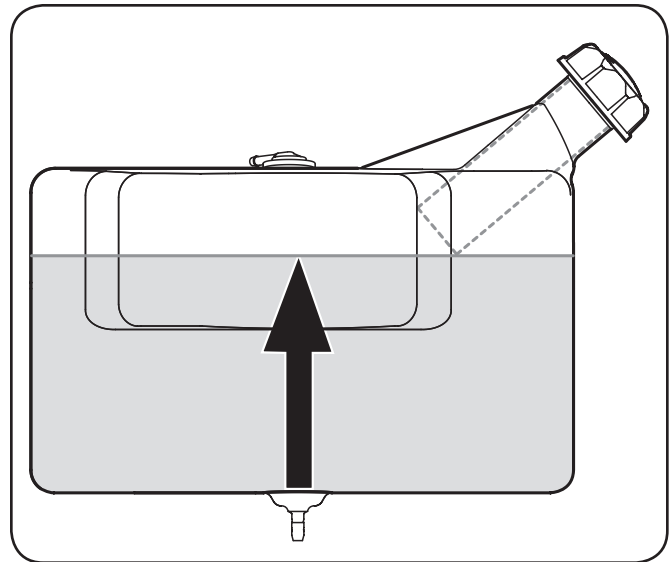


Figure 3-6

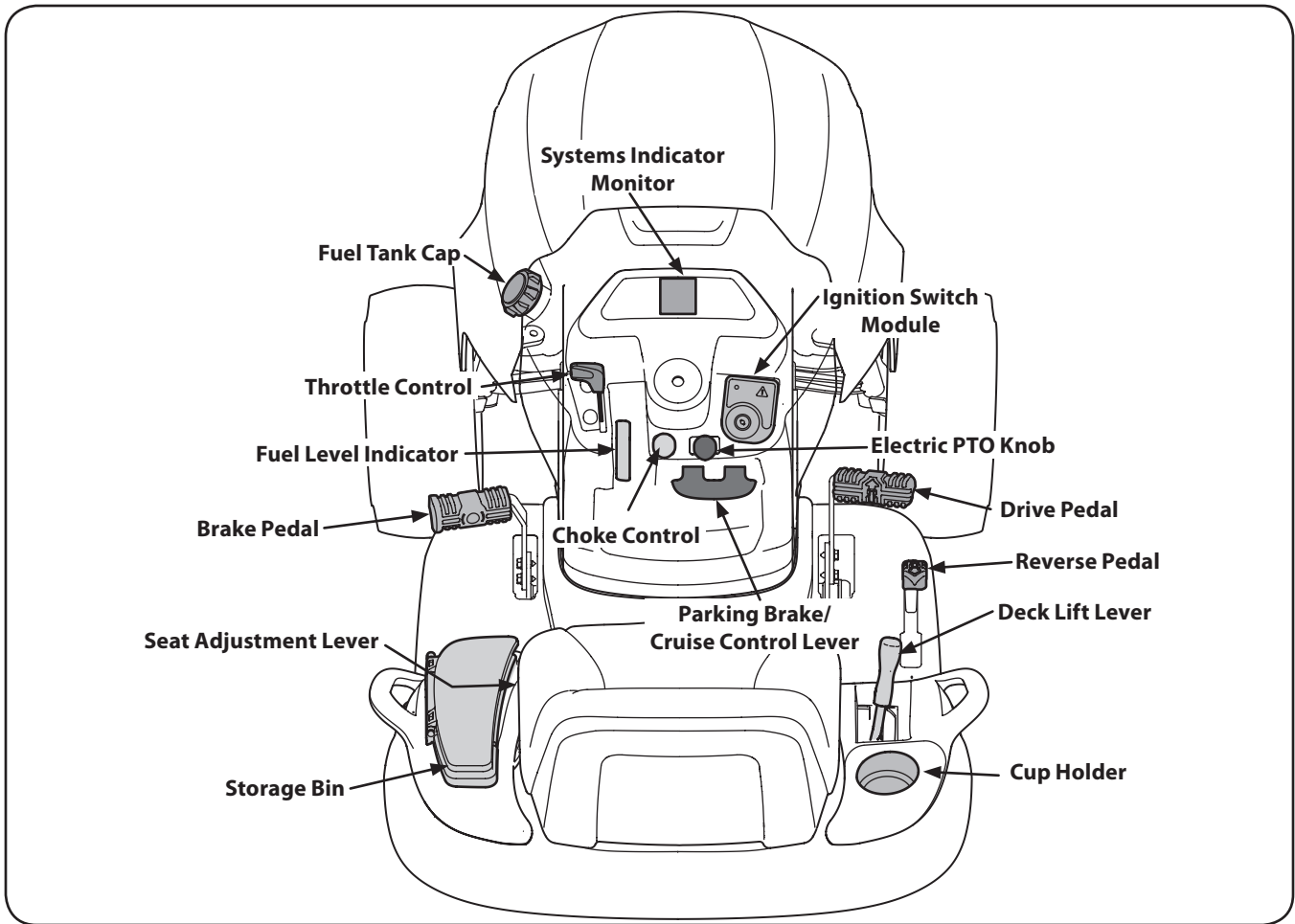


Figure 4-1

Lawn Tractor controls and features are illustrated in Fig 4-1 and described on the following pages.



WARNING! Read and follow all safety rules and instructions in this manual, including the entire Operation section, before attempting to operate this machine. Failure to comply with all safety rules and instructions may result in personal injury.

Throttle/Choke Control Lever



The throttle/choke control is located on the left side of the tractor's dash panel. This lever controls the speed of the engine and, on some models, when pushed all the way forward, closes the choke for cold starting. When set in a given position, the throttle will maintain a uniform engine speed.



NOTE: When operating the tractor with the cutting deck engaged, be certain that the throttle/choke control is always in the FAST (rabbit) position.

Brake Pedal

The brake pedal is located on the left front side of the tractor above the drive pedal along the running board. The brake pedal can be used for sudden stops or setting the parking brake.



NOTE: The brake pedal must be fully depressed to activate the safety interlock switch when starting the tractor.

Choke Control (if equipped)

On some models, moving the throttle lever all the way forward activates the engine's choke control. On all other models, the choke control can be found on the left side of the dash panel and is activated by pulling the knob outward. Activating the choke control closes the choke plate on the carburetor and aids in starting the engine.

Seat Adjustment Lever (Not Seen)

The seat adjustment lever is located below the front/left of the seat. The lever allows for adjustment of the fore to aft position of the operator's seat. Refer to the Assembly and Set-Up section of this manual for more detailed instructions.

Deck Lift Lever



Found on your tractor's right fender, the deck lift lever is used to change the height of the cutting deck. To use, move the lever to the left, then place in the notch best suited for your application.

Ignition Switch Module



WARNING! Never leave a running machine unattended. Always disengage

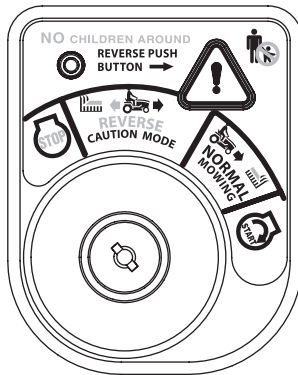
PTO, set parking brake, stop engine and remove key to prevent unintended starting.

To start the engine, insert the key into the ignition switch and turn clockwise to the START position. Release the key into the NORMAL MOWING MODE position once the engine has fired.

To stop the engine, turn the ignition key counterclockwise to the STOP position.



CAUTION: Prior to operating the tractor, refer to both Safety Interlock Switches and Starting The Engine in the Operation section of this manual for detailed instructions regarding the Ignition Switch Module and operating the tractor in REVERSE CAUTION MODE.



Drive Pedal

The drive pedal is located on the right side of the tractor, along the running board. Press the drive pedal forward to cause the tractor to travel forward. Ground speed is also controlled with the drive pedal. The further forward the pedal is pivoted, the faster the tractor will travel. The pedal will return to its original position when it's not pressed.



Reverse Pedal

The reverse pedal is located on the right side of the tractor along the running board. Ground speed is also controlled with the reverse pedal. The further downward the pedal is pivoted, the faster the tractor will travel. The pedal will return to its original position when it's not pressed.



Systems Indicator Monitor /

Hour Meter LCD

When the ignition key is rotated out of the STOP position but not into the START position, the systems indicator monitor displays the battery's output, in volts, on its LCD for approximately five seconds, after which it displays an hour glass and the hours of tractor operation. Once the tractor is started, the monitor continually displays an hour glass and the hours of tractor operation on its LCD.

NOTE: Hours of tractor operation are recorded any time the ignition key is rotated out of the STOP position, regardless of whether the engine is started.

The Indicator Monitor will also remind the operator of maintenance intervals for changing the engine oil. The LCD will alternately flash the recorded hours, "CHG" and "OIL" for five minutes, after every 50 hours of recorded operation elapse. The maintenance interval lasts for two hours (from 50-52, 100-102, 150-152, etc.). The LCD will also flash as described above for five minutes every time the tractor's engine has been started during this maintenance interval. Before the interval expires, change the engine oil as instructed in the Maintenance section of this operator's manual.

Brake

If the Brake light illuminates when attempting to start the tractor's engine, depress the brake pedal.

PTO (Blade Engage)

If the PTO light illuminates when attempting to start the tractor's engine, move PTO lever into the disengaged (OFF) position.

Oil (If Engine So Equipped)

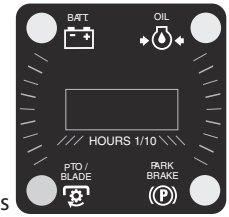
It is normal for the Oil light to illuminate while the engine is cranking during start-up, but if it illuminates during operation, while the engine is running, stop the tractor immediately and check the engine oil level as instructed in separate engine manual.

Battery

It is normal for the Battery light to illuminate while the engine is cranking during start-up, but if it illuminates during operation, while the engine is running, the battery is in need of a charge or the engine's charging system is not generating sufficient amperage. Charge the battery as instructed in the Service section of this manual or have the charging system checked by your service dealer.

Cargo Net (Optional)

Conveniently located on the tractor's dash panel, the cargo net can be used to store personal items while operating the tractor.



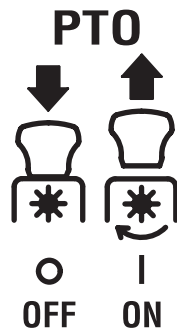
Fuel Level Indicator

The Fuel Level Indicator is located on the left side of the tractor's dash and indicates the amount of fuel in the gas tank.

Electric PTO (Blade Engage) Knob

To engage the power to the cutting deck or other (separately available) attachments on models equipped with an electric PTO, pull outward on the PTO (Blade Engage) knob. Push the PTO (Blade Engage) knob inward to disengage the power to the cutting deck.

NOTE: The PTO (Blade Engage) knob must be in the disengaged (OFF) position when starting the engine.



Parking Brake/ Cruise Control Lever



Located in the center of the tractor's dash panel below the steering wheel, the Parking Brake/Cruise Control lever is used to engage the parking brake and the cruise control. Refer to the Operation section of this manual for detailed instructions regarding the parking brake.

NOTE: The parking brake must be set if the operator leaves the seat with the engine running or the engine will automatically shut off.

NOTE: Cruise control can NOT be engaged at the tractor's fastest ground speed. If the operator should attempt to do so, the tractor will automatically decelerate to the fastest optimal mowing ground speed.



WARNING! Never leave a running machine unattended. Always disengage PTO, set parking brake, stop engine and remove key to prevent unintended starting.

WARNING

TO AVOID SERIOUS INJURY OR DEATH

- **GO UP AND DOWN SLOPES, NOT ACROSS.**
- **AVOID SUDDEN TURNS.**
- **DO NOT OPERATE THE UNIT WHERE IT COULD SLIP OR TIP.**
- **IF MACHINE STOPS GOING UPHILL, STOP BLADE(S) AND BACK DOWNHILL SLOWLY.**
- **KEEP SAFETY DEVICES (GUARDS, SHIELDS, AND SWITCHES, ETC.) IN PLACE AND WORKING.**
- **REMOVE OBJECTS THAT COULD BE THROWN BY THE BLADE(S).**
- **KNOW LOCATION AND FUNCTION OF ALL CONTROLS.**
- **BE SURE BLADE(S) AND ENGINE ARE STOPPED BEFORE PLACING HANDS OR FEET NEAR BLADE(S).**
- **BEFORE LEAVING OPERATOR'S POSITION, DISENGAGE BLADE(S), ENGAGE PARKING BRAKE, SHUT OFF AND REMOVE KEY.**

READ OPERATOR'S MANUAL

Safety Interlock Switches

This tractor is equipped with a safety interlock system for the protection of the operator. If the interlock system should ever malfunction, do not operate the tractor. Contact your Cub Cadet dealer.

- The safety interlock system prevents the engine from cranking or starting unless the parking brake is engaged, and the PTO (Blade Engage) knob is in the disengaged (OFF) position.
- The engine will automatically shut off if the operator leaves the seat before engaging the parking brake.
- The electric PTO (Blade Engage) clutch will automatically shut off if the operator leaves the tractor's seat with the PTO (Blade Engage) knob in the engaged (ON) position, regardless of whether the parking brake is engaged.
- With the ignition key in the NORMAL MOWING position, the electric PTO (Blade Engage) clutch will automatically shut off if the PTO (Blade Engage) knob is moved into the engaged (ON) position with the drive pedal in position for reverse travel.



WARNING! Do not operate the tractor if the interlock system is malfunctioning. This system was designed for your safety and protection.

Starting the Engine



WARNING! Do not operate the tractor if the interlock system is malfunctioning. This system was designed for your safety and protection.

NOTE: Refer to the Set-Up and Assembly section of this manual for Gasoline and Oil fill-up instructions.

1. Insert the tractor key into the ignition switch module.
2. Place the PTO (Blade Engage) knob in the disengaged (OFF) position.
3. Engage the tractor's parking brake.
4. Activate the choke control.

NOTE: If the engine is warmed up, it may not be necessary to place the choke control in the choke position.

5. Turn the ignition key clockwise to the START position. After the engine starts, release the key. It will return to the NORMAL MOWING position.



CAUTION: Do NOT hold the key in the START position for longer than ten seconds at a time. Doing so may cause damage to your engine's electric starter.

6. After the engine starts, deactivate the choke.

NOTE: Do NOT leave the choke on while operating the tractor. Doing so will result in a "rich" fuel mixture and cause the engine to run poorly.

Stopping the Engine



WARNING! If you strike a foreign object, stop the engine and disconnect the spark plug wire(s). Thoroughly inspect the machine for any damage. Repair the damage before restarting and operating.

1. If the blades are engaged, place the PTO/Blade Engage knob in the disengaged (OFF) position.
2. Place the throttle control near the SLOW position.
3. Turn the ignition key counterclockwise to the STOP position.
4. Remove the key from the ignition switch to prevent unintended starting.

Driving The Tractor



WARNING! Avoid sudden starts, excessive speed and sudden stops.

1. Lightly press the brake pedal to release the parking brake. Move the throttle lever into the FAST (rabbit) position.
2. To travel FORWARD, slowly press the upper portion of the drive pedal forward until the desired speed is achieved. See Fig. 5-1.

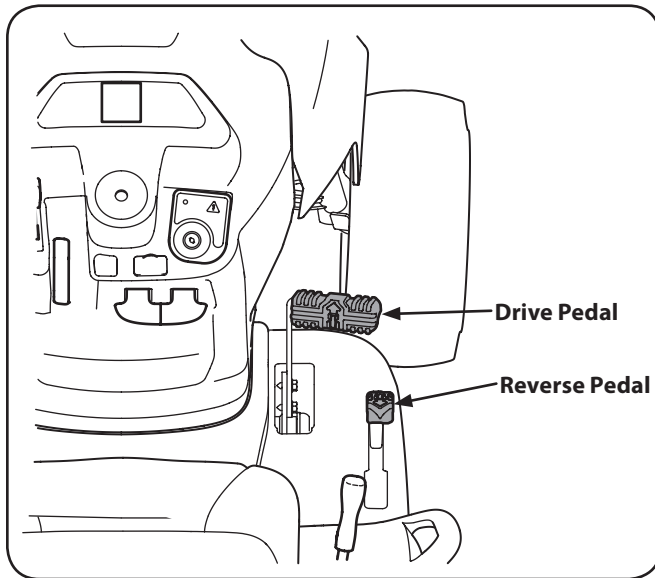


Figure 5-1

To travel in REVERSE, check that the area behind is clear then slowly depress the reverse pedal with the ball of your foot (NOT your heel) until the desired speed is achieved. See Fig. 5-1.



CAUTION: Do NOT attempt to change the direction of travel when the tractor is in motion. Always bring the tractor to a complete stop before moving the tractor from forward to reverse or vice versa.



WARNING! Do not leave the seat of the tractor without first placing the PTO/Blade Engage knob in the disengaged (OFF) position and engaging the parking brake. If leaving the tractor unattended, also turn the engine off and remove the ignition key.

Steering Tractors Equipped with Power Steering

When operating tractors equipped with power steering, do not force the steering wheel to turn all they way to the left or right. When reaching the end of the turning radius, allow the steering wheel to back off slightly and avoid holding the wheel all the way up against the steering stops.

Note: While on pavement, operating the power steering with the engine running and the tractor at a stand-still, may cause the front wheels to stutter. This is considered normal and will operate smoothly under typical mowing conditions.

Reverse Caution Mode

The REVERSE CAUTION MODE position of the key switch module allows the tractor to be operated in reverse with the blades (PTO) engaged.

NOTE: Mowing in reverse is not recommended.



WARNING! Use extreme caution while operating the tractor in the REVERSE CAUTION MODE. Always look down and behind before and while backing. Do not operate the tractor when children or others are around. Stop the tractor immediately if someone enters the area.

To use the REVERSE CAUTION MODE:

NOTE: The operator MUST be seated in the tractor seat.

1. Start the engine as previously instructed on the previous page.
2. Turn the key from the NORMAL MOWING (Green) position to the REVERSE CAUTION MODE (Yellow) position of the key switch module. See Fig. 5-2.

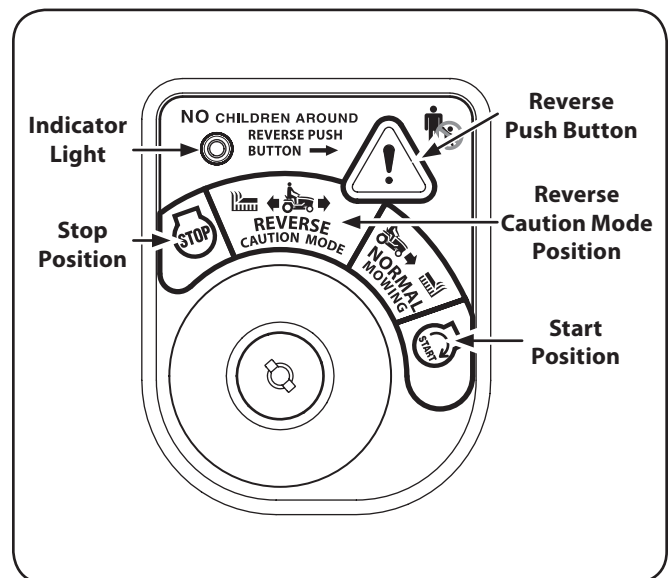


Figure 5-2

3. Press the REVERSE PUSH BUTTON (Orange, Triangular Button) at the top, right corner of the key switch module. The red indicator light at the top, left corner of the key switch module will be ON while activated. See Fig. 5-2.
4. Once activated (indicator light ON), the tractor can be driven in reverse with the cutting blades (PTO) engaged.
5. Always look down and behind before and while backing to make sure no children are around. After resuming forward motion, return the key to the NORMAL MOWING position.

The REVERSE CAUTION MODE will remain activated until:

- a. The key is placed in either the NORMAL MOWING position or STOP position or
- b. The operator leaves the seat.

Driving On Slopes

Refer to the SLOPE GAUGE on page 8 to help determine slopes where you may operate the tractor safely.



WARNING! Do not mow on inclines with a slope in excess of 15 degrees (a rise of approximately 2-½ feet every 10 feet). The tractor could overturn and cause serious injury.

- Mow up and down slopes, NEVER across.
- Exercise extreme caution when changing direction on slopes.
- Watch for holes, ruts, bumps, rocks, or other hidden objects. Uneven terrain could overturn the machine. Tall grass can hide obstacles.
- Avoid turns when driving on a slope. If a turn must be made, turn down the slope. Turning up a slope greatly increases the chance of a roll over.
- Avoid stopping when driving up a slope. If it is necessary to stop while driving up a slope, start up smoothly and carefully to reduce the possibility of flipping the tractor over backward.

Engaging the Parking Brake/ Setting the Cruise Control

NOTE: The parking brake and cruise control are controlled by the same lever. If using the brake, when the parking brake/cruise control lever the parking brake will engage. If using the drive pedal, when the parking brake/cruise control lever the cruise control will engage.

Parking Brake

NOTE: The parking brake must be set if the operator leaves the seat with the engine running or the engine will automatically shut off.

To set the parking brake:

1. Press the brake pedal completely down with your left foot and hold it in that position.
2. Push the parking brake/cruise control lever downward and hold it in that position.
3. Remove your foot from the brake pedal.
4. Release pressure from the parking brake/cruise control lever.

After completing step 3, the brake pedal should remain in the down position. If it doesn't, the parking brake is *not* engaged. Repeat steps 1-4 to engage the parking brake.

To disengage the parking brake, lightly press the brake pedal .



WARNING! Never leave a running machine unattended. Always disengage PTO, set parking brake, stop engine and remove key to prevent unintended starting

Cruise Control



WARNING! Never engage the cruise control lever while traveling in reverse.

To set the cruise control:

1. Slowly press the upper portion of the drive pedal with your right foot until the desired speed is achieved.
2. Lightly press the parking brake/cruise control lever downward and hold it in that position.
3. Remove your foot from the drive pedal.
4. Release pressure from the parking brake/cruise control lever

After completing step 3, the drive pedal should remain in the down position and the tractor will maintain the same forward speed. If it doesn't, the cruise control is *not* engaged. Repeat steps 1-4 to engage the cruise control.

To disengage the cruise control, lightly press the drive pedal or the brake pedal.

NOTE: Cruise control can not be set at the tractor's fastest ground speed. If the operator should attempt to do so, the tractor will automatically decelerate to the fastest optimal mowing ground speed.

To change the direction of travel from forward to reverse when cruise control is engaged, press the brake pedal to disengage the cruise control and bring the tractor to a complete stop. Then slowly press the reverse pedal with the ball of your foot to travel in reverse.

Using the Deck Lift Lever

To raise the cutting deck, move the deck lift lever to the left, then place it in the notch best suited for your application.

Operating the Headlights

The lamps are ON whenever the ignition key is rotated out of the STOP position. The lamps turn OFF when the ignition key is moved to the STOP position.

Engaging the PTO

Engaging the PTO transfers power to the cutting deck or other (separately available) attachments. To engage the PTO:

1. Move the throttle control lever to the FAST (rabbit) position.
2. Pull the PTO/Blade Engage knob outward into the engaged (ON) position. See Fig. 5-3.

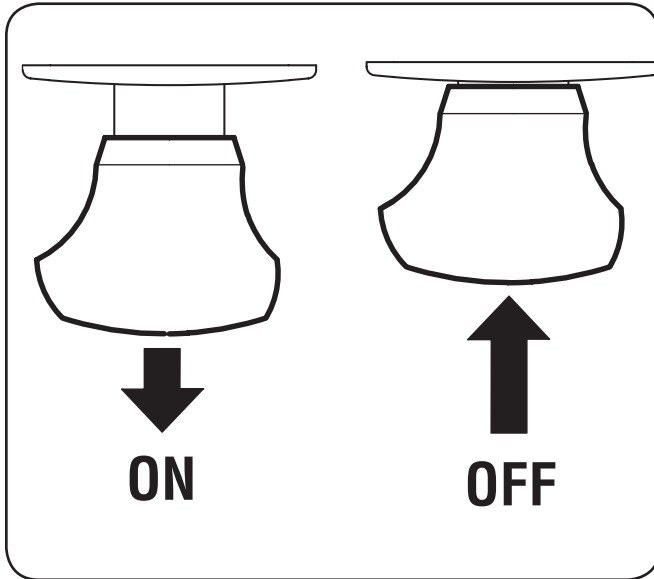


Figure 5-3

NOTE: Always operate the tractor with the throttle lever in the FAST (rabbit) position for the most efficient use of the cutting deck or other (separately available) attachments.

Mowing



WARNING! To help avoid blade contact or a thrown object injury, keep bystanders, helpers, children and pets at least 75 feet from the machine while it is in operation. Stop machine if anyone enters the area.

The following information will be helpful when using the cutting deck with your tractor.



WARNING! Plan your mowing pattern to avoid discharge of materials toward roads, sidewalks, bystanders and the like. Also, avoid discharging material against a wall or obstruction which may cause discharged material to ricochet back toward the operator.

- Do not mow at high ground speed, especially if a mulch kit or grass collector is installed.
- Do not cut the grass too short. Short grass is prone to weed growth and yellows quickly in dry weather.
- Always operate the tractor with the throttle lever in the FAST (rabbit) position while mowing

- For best results it is recommended that the first two laps be cut with the discharge thrown towards the center. After the first two laps, reverse the direction to throw the discharge to the outside for the balance of cutting. This will give a better appearance to the lawn.
- Do NOT attempt to mow heavy brush and weeds or extremely tall grass. Your tractor is designed to mow lawns, NOT clear brush.
- Keep the blades sharp and replace the blades when worn.

Maintenance Schedule

	Before Each use	Every 10 Hours	Every 25 Hours	Every 50 Hours	Every 100 Hours	Prior to Storing
Clean Hood/Dash Louvers		✓				✓
Check Engine Oil Level	✓					
Check Air Filter for Dirty, Loose or Damaged Parts	✓					
Clean and Re-oil Air Filter's Foam Precleaner			✓			
Replace Air Filter Element					✓	
Change Engine Oil and Replace Oil Filter				✓		
Clean Battery Terminals		✓				✓
Lube Front Axles and Rims			✓			✓
Clean Engine Cooling Fins			✓			✓
Lube Front Deck Wheels			✓			✓
Lube Deck Spindles			✓			✓
Lube Pedal Pivot Points		✓				✓
Check Spark Plug Condition & Gap					✓	✓
Replace Fuel Filter					✓	

Maintenance



WARNING! Before performing any maintenance or repairs, disengage PTO, set parking brake, stop engine and remove key to prevent unintended starting.

Engine

Refer to the Engine Owner's Manual for all engine maintenance procedures and instructions.

NOTE: Maintenance, repair, or replacement of the emission control devices and systems which are being done at owner's expense may be performed by any engine repair establishment or individual. Warranty repairs must be performed by a authorized dealer.

Changing the Engine Oil



WARNING! If the engine has been recently run, the engine, muffler and surrounding metal surfaces will be hot and can cause burns to the skin. Exercise caution to avoid burns.

NOTE: The oil filter should be changed at every oil change interval. To complete an oil change, proceed as follows:

1. Run the engine for a few minutes to allow the oil in the crankcase to warm up. Warm oil will flow more freely and carry away more of the engine sediment which may have settled at the bottom of the crankcase. Use care to avoid burns from hot oil.
2. Open the tractor's hood and locate the oil drain port on the engine.

- Pop open the protective cap on the end of the oil drain valve to expose the drain port. See Fig 6-1.

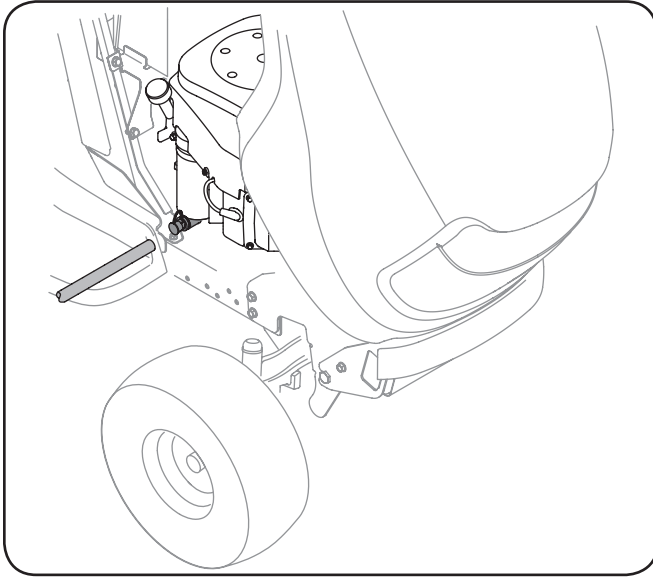


Figure 6-1

- Remove the oil fill cap/ dipstick from the oil fill tube.
- Push the oil drain hose (packed with this manual) onto the oil drain port. Route the opposite end of the hose into an appropriate oil collection container with at least a 2.5 quart capacity, to collect the used oil.
- The engine is equipped with either a twist-and-pull drain port or a tabbed drain port. If your engine has the twist-and-pull drain, go to step a. If your engine is equipped with the tabbed drain, go to step b.
 - Turn the oil drain valve $\frac{1}{4}$ -turn, then pull outward to begin draining oil. After the oil has finished draining, push the end of the oil drain valve back in and turn $\frac{1}{4}$ -turn to secure it back in place. Re-cap the end of the oil drain valve to keep debris from entering the drain port.
 - Pinch the tabs on the oil drain valve, then pull outward to begin draining oil. After the oil has finished draining, push the end of the oil drain valve back in, until the tabs click into place. Re-cap the end of the oil drain valve to keep debris from entering the drain port.
- Replace the oil filter as instructed in the separate engine manual.
- Refill the engine with new oil. Refer to the engine manual for information regarding the volume and weight of engine oil

Air Cleaner

Service the pre-cleaner and cartridge/air cleaner element as instructed in the engine Owner's Manual.

Spark Plug

The spark plug should be cleaned and the gap reset once a season. Refer to the engine Owner's Manual for correct plug type and gap specifications.

Hydrostatic Transmission

The hydrostatic transmission is sealed at the factory and is maintenance-free. The fluid level cannot be checked and the fluid cannot be changed.

Battery



CALIFORNIA PROPOSITION 65 WARNING!

Battery posts, terminals, and related accessories contain lead and lead compounds, chemicals known to the State of California to cause cancer and reproductive harm. Wash hands after handling.

The battery is sealed and is maintenance-free. Acid levels cannot be checked and fluid can not be added.

- Always keep the battery cables and terminals clean and free of corrosive build-up.
- After cleaning the battery and terminals, apply a light coat of petroleum jelly or grease to both terminals.



CAUTION: If removing the battery for cleaning, disconnect the NEGATIVE (Black) wire from it's terminal first, followed by the POSITIVE (Red) wire. When re-installing the battery, always connect the POSITIVE (Red) wire to its terminal first, followed by the NEGATIVE (Black) wire. Be certain that the wires are connected to the correct terminals; reversing them could result in serious damage to your engine's alternating system.

Cleaning the Tractor

Any fuel or oil spilled on the machine should be wiped off promptly. Do NOT allow debris to accumulate around the cooling fins of the engine, the transmission's cooling fan or on any other part of the machine, especially the belts and pulleys.

Smart Jet

Your tractor's deck is equipped with a water port on its surface as part of its deck wash system.

Use the Smart Jet to rinse grass clippings from the deck's underside and prevent the buildup of corrosive chemicals. Complete the following steps AFTER EACH MOWING:

- Drive the tractor to a level, clear spot on your lawn, near enough for your garden hose to reach.



CAUTION: Make certain the tractor's discharge chute is directed AWAY from your house, garage, parked cars, etc.

- Disengage the PTO (Blade Engage), set the parking brake and stop the engine.

3. Thread the hose coupler (packaged with your tractor's Operator's Manual) onto the end of your garden hose.
4. Attach the hose coupler to the water port on your decks surface. See Fig. 6-2.

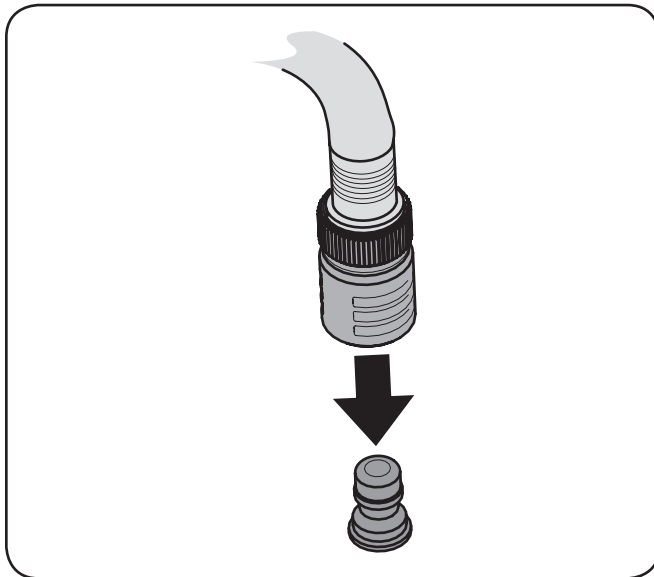


Figure 6-2

5. Turn the water on.
6. While sitting in the operator's position on the tractor, start the engine and place the throttle lever in the FAST (rabbit) position.
7. Move the tractor's PTO (Blade Engage) into the ON position.
8. Remain in the operator's position with the cutting deck engaged for a minimum of two minutes, allowing the underside of the cutting deck to thoroughly rinse.
9. Move the tractor's PTO (Blade Engage) into the OFF position.
10. Turn the ignition key to the STOP position to turn the tractor's engine off.
11. Turn the water off and detach the hose coupler from the water port on your deck's surface.
12. Repeat step 2 through step 11 on the opposite side of the cutting deck.

After cleaning your deck with the Smart Jet system, return to the operator's position and engage the PTO. Keep the cutting deck running for a minimum of two minutes, allowing the underside of the cutting deck to thoroughly dry.

Lubrication



WARNING! Before lubricating, repairing, or inspecting, always disengage PTO, set parking brake, stop engine and remove key to prevent unintended starting.

Front Wheels

Each of the front wheel axles and rims is equipped with a grease fitting. See Fig. 6-3. Lubricate with a No. 2 multi-purpose grease applied with a grease gun after every 25 hours of tractor operation.

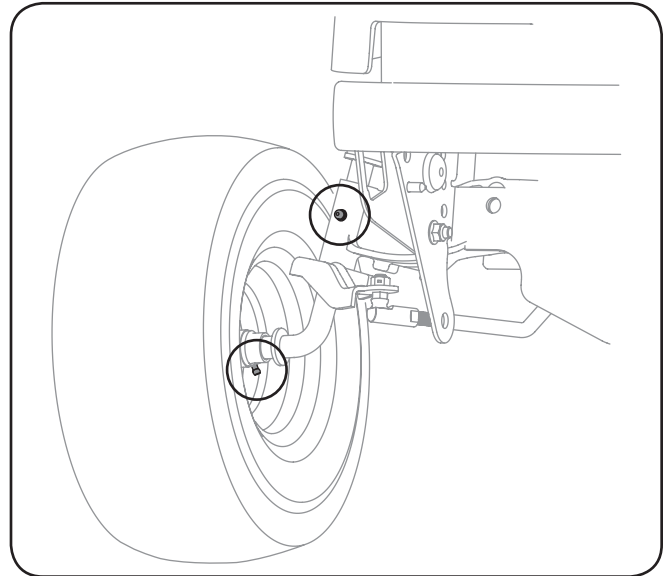


Figure 6-3

Pivot Points & Linkage

Lubricate all the pivot points on the drive system, parking brake and lift linkage at least once a season with light oil.

Deck Wheels

Each of the tractor deck's front gauge wheels is equipped with a grease fitting. Lubricate with a No. 2 multi-purpose grease applied with a grease gun after every 25 hours of tractor operation.

Adjustments



WARNING! Shut the engine off, remove the ignition key and engage the parking brake before making adjustments. Protect your hands by using heavy gloves when handling the blades.

NOTE: Check the tractor's tire pressure before performing any deck leveling adjustments. Refer to Tires in the Service section for information regarding tire pressure.

Leveling the Deck (Front To Rear)

The front of the cutting deck is supported by a stabilizer bar that can be adjusted to level the deck from front to rear. The front of the deck should be between $\frac{1}{4}$ " and $\frac{3}{8}$ " lower than the rear of the deck. Adjust if necessary as follows:

1. Park the tractor on a firm, level surface and place the deck lift lever in the middle position.
2. Rotate the blade nearest the discharge chute so that it is parallel with the tractor.
3. Measure the distance from the front of the blade tip to the ground and the rear of the blade tip to the ground. The first measurement taken should be between $\frac{1}{4}$ " and $\frac{3}{8}$ " less than the second measurement.

Determine the approximate distance necessary for proper adjustment and proceed, if necessary.

1. To *raise* the front of the deck, tighten (thread inward) the hex nut against the front hanger bracket. See Fig. 6-4.
2. To *lower* the front of the deck, loosen (thread outward) the hex nut, away from the front hanger bracket. See Fig. 6-4.

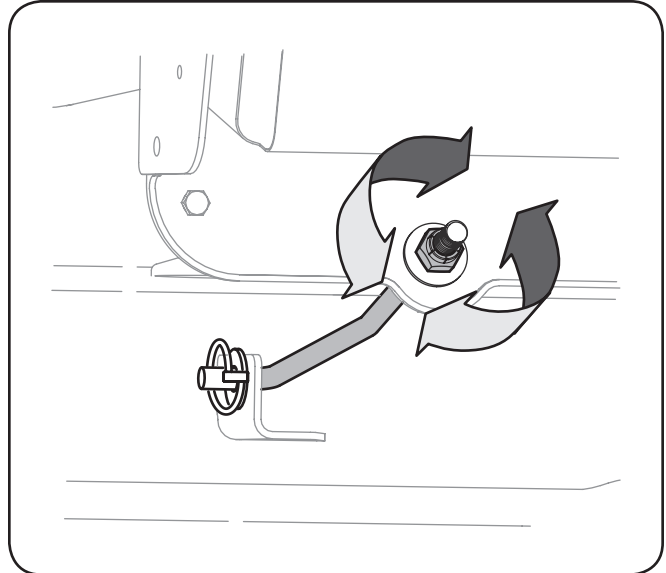


Figure 6-4

Leveling the Deck (Side to Side)

If the cutting deck appears to be mowing unevenly, a side to side adjustment can be performed. Adjust if necessary as follows:

1. With the tractor parked on a firm, level surface, place the deck lift lever in the middle position and rotate both blades so that they are perpendicular with the tractor.
2. Measure the distance from the outside of the left blade tip to the ground and the distance from the outside of the right blade tip to the ground. Both measurements taken should be equal. If not, proceed to the next step.
3. Loosen, but do NOT remove, the hex bolt on the left deck hanger bracket. See Fig. 6-5.

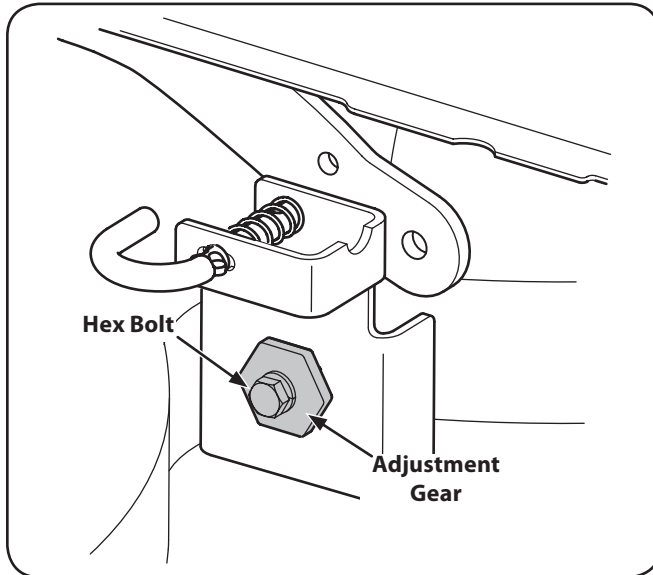


Figure 6-5

4. Using a wrench, raise or lower the left side of the deck by turning the adjustment gear. See Fig. 6-5.

The deck is properly leveled when both blade tip measurements taken in step 2 are equal. Retighten the hex bolt on the left deck hanger bracket when proper adjustment is achieved.

Parking Brake Adjustment

If the tractor does not come to a complete stop when the brake pedal is completely depressed, or if the tractor's rear wheels can roll with the parking brake applied (and the hydrostatic relief valve open), the brake is in need of adjustment. See your authorized dealer to have the brake properly adjusted.

Adjusting the Seat

Refer to the Assembly and Set-Up section of this manual for seat adjustment instructions.



WARNING! Before operating the tractor, make sure the seat is engaged in the seat-stop. Engage the parking brake. Stand behind the machine and pull back on seat until it clicks into place.

Steering Adjustment

If the tractor turns tighter in one direction than the other, or if the ball joints are being replaced due to damage or wear, the steering drag links may need to be adjusted.

Adjust the drag links so that equal lengths of each are threaded into the ball joint on the left side and the ball joint on the right side:

1. Remove the hex nut below the ball joint. See Fig. 6-6.

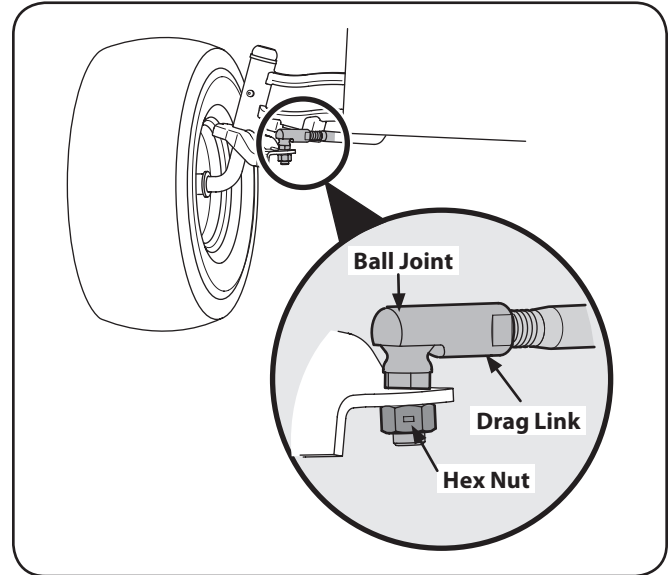


Figure 6-6

2. Thread the ball joint inward to shorten the drag link. Thread the ball joint outward to lengthen the drag link.
3. Replace the hex nut after proper adjustment is achieved.

NOTE: Threading the ball joints too far onto the drag links will cause the front tires to "toe-in" too far. Proper toe-in is between $\frac{1}{16}$ " and $\frac{5}{16}$ ".

Front tire toe-in can be measured as follows:

1. Place the steering wheel in position for straight ahead travel.
2. In front of the axle, measure the distance horizontally from the inside of the left rim to the inside of the right rim. Note the distance.
3. Behind the axle, measure the distance horizontally from the inside of the left rim to the inside of the right rim. Note the distance.
4. The measurement taken in front of the axle should be between $\frac{1}{16}$ " and $\frac{5}{16}$ " less than the measurement taken behind the axle.

Cutting Deck Removal

To remove the cutting deck, proceed as follows:

1. Place the PTO/Blade Engage knob in the disengaged (OFF) position and engage the parking brake.
2. Lower the deck by moving the deck lift lever into the bottom notch on the right fender.
3. Locate the PTO clutch under the front of your tractor. See Fig. 7-1.

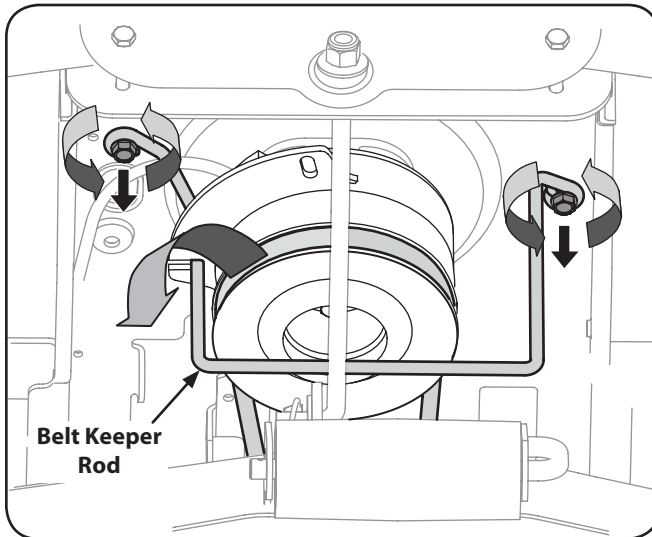


Figure 7-1

4. Remove the belt guard and belt as follows Refer to Fig. 7-1:
 - a. Remove the hex screws.
 - b. Pull the belt keeper rod to the right and down to remove.
 - c. Remove the deck belt from around the tractor's electric PTO clutch.

NOTE: If there is too much tension on the belt for it to be easily removed from the electric PTO clutch, carefully insert a $\frac{3}{8}$ " drive ratchet wrench (set to *tighten*) into the square hole found in the left-hand deck idler bracket and pivot it toward the tractor's right side to relieve tension on the belt. See Fig. 7-2.



WARNING! Avoid pinching injuries. Never place your fingers on the idler spring or between the belt and a pulley while removing the belt.

5. Looking at the cutting deck from the left side of the tractor, locate the deck support pin on the rear left side of the deck.
6. Pull the deck support pin outward to release the deck from the deck lift arm. See Fig. 7-3.
7. Repeat the above steps on the tractor's right side.

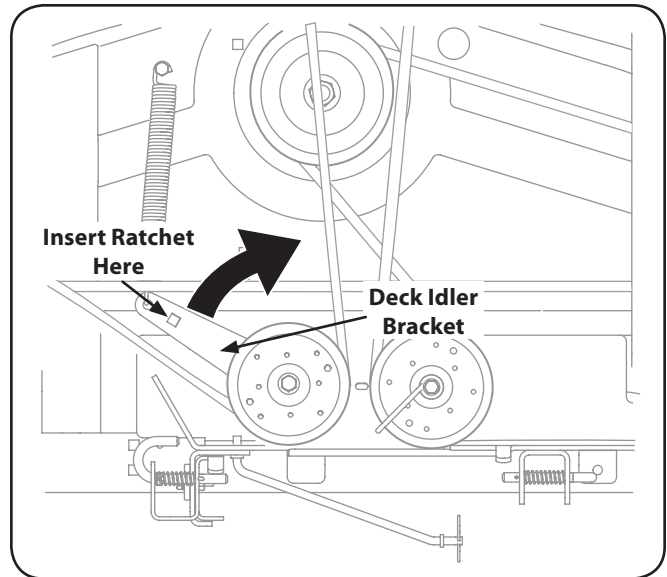


Figure 7-2

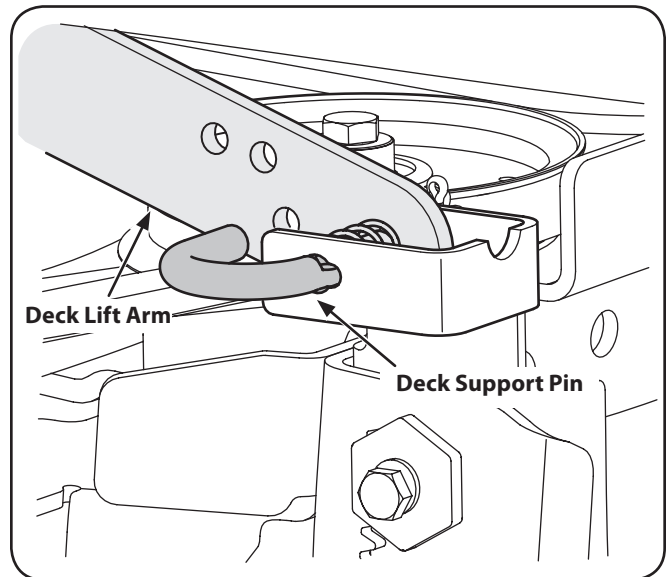


Figure 7-3

8. Move the deck lift lever into the top notch to raise the deck lift arms up and out of the way.
9. Remove the bow-tie cotter pin connecting the deck sway rod to the tractor frame. See Fig. 7-4.
10. Remove the cotter pin from the end of the stabilizer rod and slide the stabilizer out of the hanger bracket on the deck. See Fig. 7-5.
11. Gently slide the cutting deck (from the right side) out from underneath the tractor.

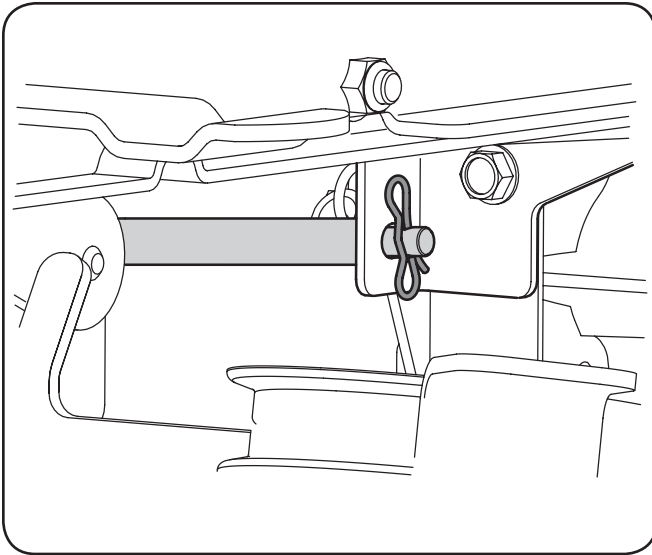


Figure 7-4

3. Remove the flange lock nut that secures the blade to the spindle assembly. See Fig. 7-6.

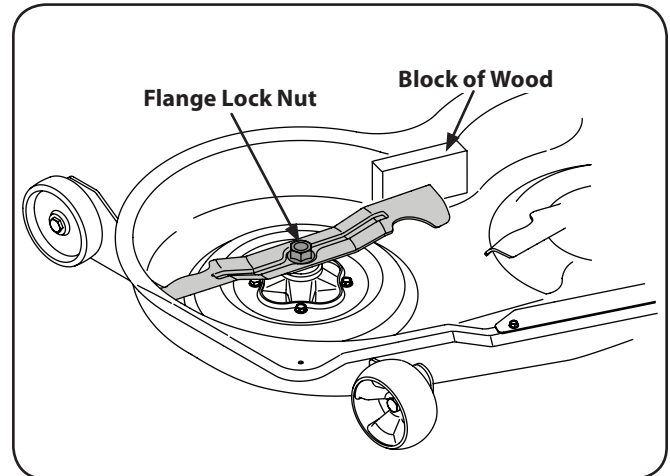


Figure 7-6

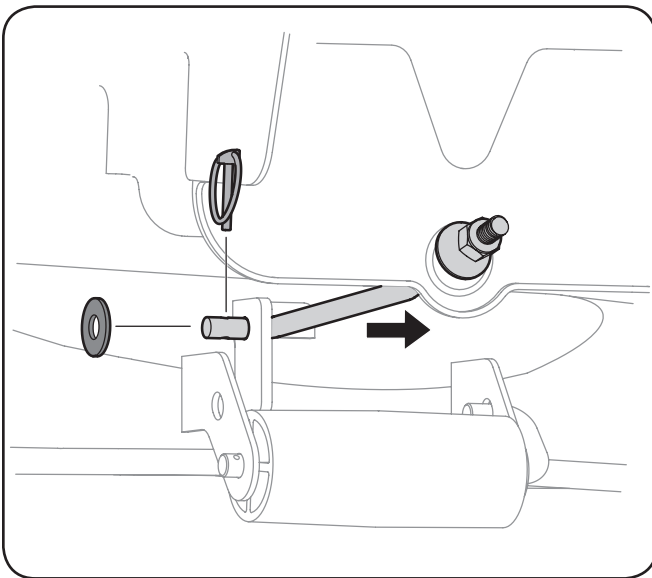


Figure 7-5

4. To properly sharpen the cutting blades, remove equal amounts of metal from both ends of the blades along the cutting edges, parallel to the trailing edge, at a 25°- to 30° angle. Always grind each cutting blade edge equally to maintain proper blade balance. See Fig. 7-7.

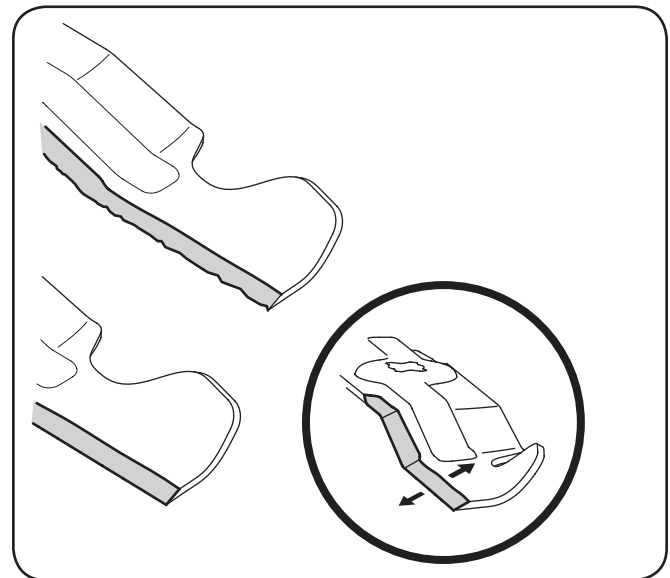


Figure 7-7

Cutting Blades



WARNING! Shut the engine off and remove ignition key before removing the cutting blade(s) for sharpening or replacement. Protect your hands by using heavy gloves when grasping the blade



WARNING! Periodically inspect the blade and/or spindle for cracks or damage, especially after you've struck a foreign object. Do not operate the machine until damaged components are replaced.

To remove the blades, proceed as follows.

1. Remove the deck from beneath the tractor, (refer to Cutting Deck Removal earlier in this section) then gently flip the deck over to expose its underside.
2. Place a block of wood between the center deck housing baffle and the cutting blade to act as a stabilizer. See Fig. 7-6.



CAUTION: If the cutting edge of the blade has previously been sharpened, or if any metal separation is present, replace the blades with new ones.



WARNING! A poorly balanced blade will cause excessive vibration, may cause damage to the tractor and/or result in personal injury.

- Test the blade's balance using a blade balancer. Grind metal from the heavy side until it balances evenly.

NOTE: When replacing the blade, be sure to install the blade with the side of the blade marked "Bottom" (or with a part number stamped in it) facing the ground when the mower is in the operating position.



CAUTION: Use a torque wrench to tighten the blade spindle hex flange nut to between 70 ft-lbs and 90 ft-lbs.

Battery



CALIFORNIA PROPOSITION 65 WARNING: Battery posts, terminals, and related accessories contain lead and lead compounds, chemicals known to the State of California to cause cancer and reproductive harm. Wash hands after handling.



CAUTION: If removing the battery, disconnect the NEGATIVE (Black) wire from its terminal first, followed by the POSITIVE (Red) wire. When re-installing the battery, always connect the POSITIVE (Red) wire its terminal first, followed by the NEGATIVE (Black) wire.

Jump Starting



WARNING! Never jump start a damaged or frozen battery. Be certain the vehicles do not touch and ignitions are off. Do not allow cable clamps to touch.

- Connect positive (+) cable to positive post (+) of your tractor's discharged battery.
- Connect the other end of the cable to the positive (+) post of the jumper battery.
- Connect the second cable negative (-) to the other post of the jumper battery.
- Make the final connection on the engine block of the tractor, away from the battery. Attach to an unpainted part to assure a good connection.



CAUTION: If the jumper battery is installed on a vehicle (i.e. car, truck), do NOT start the vehicle's engine when jump starting your tractor.

- Start the tractor (as instructed in the Operation section of this manual).
- Set the tractor's parking brake before removing the jumper cables, in reverse order of connection.

Charging



WARNING! Batteries give off an explosive gas while charging. Charge the battery in a well ventilated area and keep away from an open flame or pilot light as on a water heater, space heater, furnace, clothes dryer or other gas appliances.



CAUTION: When charging your tractor's battery, use only a charger designed for 12V lead-acid batteries. Read your battery charger's Owner's Manual prior to charging your tractor's battery. Always follow its instructions and heed its warnings.

If your tractor has not been put into use for an extended period of time, charge the battery as follows:

- Set your battery charger to deliver a max of 10 amperes.
- If your battery charger is automatic, charge the battery until the charger indicates that charging is complete. If the charger is not automatic, charge for no fewer than eight hours.

Fuse



WARNING! Before servicing, repairing, or inspecting, always disengage PTO, set parking brake, stop engine and remove key to prevent unintended starting.

A 20 Amp fuse is installed in your tractor's wiring harness to protect the tractor's electrical system from damage caused by excessive amperage.

If the electrical system does not function, or your tractor's engine will not crank, first check to be certain that the fuse has not blown. It is located under the hood, mounted behind the top of the dash panel on the support bar.



CAUTION: Always use a replacement fuse with the same amperage capacity as the blown fuse.

Tires



WARNING! Never exceed the maximum inflation pressure shown on the sidewall of the tire.

Refer to the tire sidewall for exact tire manufacturer's recommended or maximum psi. Do not overinflate.

Uneven tire pressure could cause the cutting deck to mow unevenly.

Changing the Transmission Drive Belt

Several components must be removed and special tools used in order to change the tractor's transmission drive belt. See your authorized dealer to have the transmission drive belt replaced.

Changing the Deck Belt



WARNING! Shut the engine off and remove ignition key before removing the cutting blade(s) for sharpening or replacement. Protect your hands by using heavy gloves when grasping blades and pulleys.



WARNING! The V-belts found on your tractor are specially designed to engage and disengage safely. A substitute (non-OEM) V-belt can be dangerous by not disengaging completely. For a proper working machine, use factory approved belts.

All belts on your tractor are subject to wear and should be replaced if any signs of wear are present. To change or replace the deck belt on your tractor, proceed as follows:

1. Remove the deck as instructed on page 24.
2. Remove the belt guards by removing the hex screws that fasten them to the deck. See Fig. 7-7.
3. Loosen, but do not remove the belt keeper rod on the pulley located near the back of the deck. See Fig. 7-7

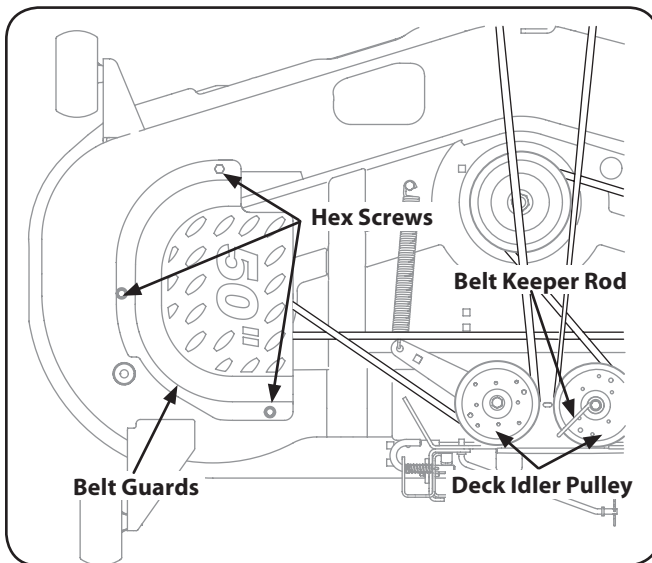


Figure 7-7

4. Carefully remove the deck belt from around the three spindle pulleys and the two deck idler pulleys.
5. To place the new belt, begin by routing the belt around the two outer spindle pulleys, then around the front spindle pulley as shown in Fig. 7-8.
6. Then route the belt around the two deck idler pulleys as shown in Fig. 7-8.

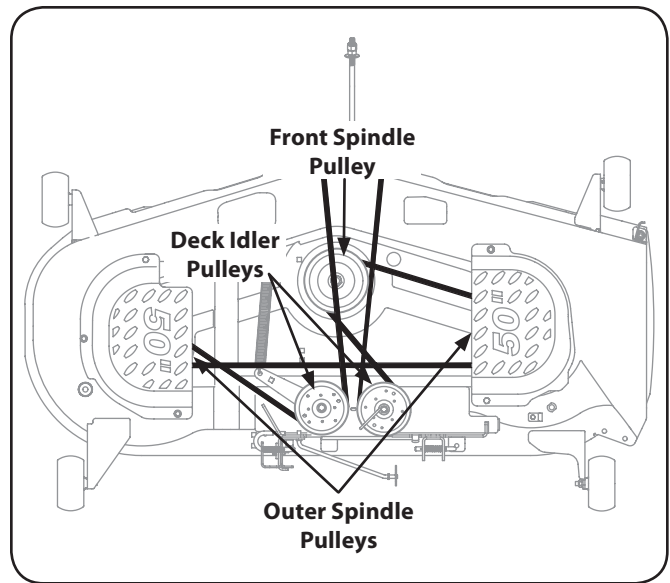


Figure 7-8

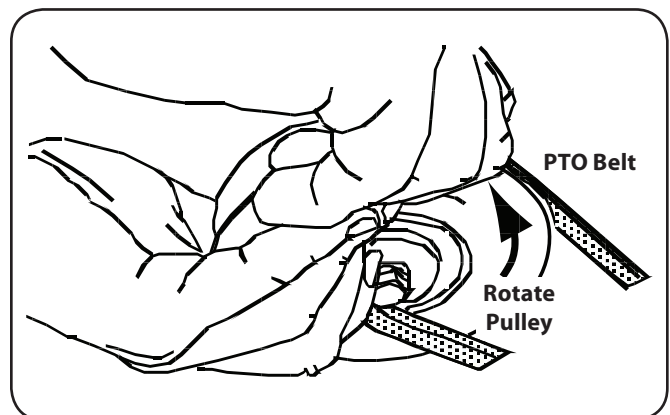


Figure 7-9

7. Retighten the belt keeper rod loosened earlier.
8. Remount the belt guards removed earlier.
9. Re-install the deck making sure the belt remains routed around the pulleys as instructed.
10. Pull the right side of the belt and place the narrow V side of the belt into the PTO pulley. See Fig. 7-9.
11. While holding the belt and pulley together, rotate the pulley to the left (See Fig. 7-9). Continue holding and rotating the pulley and belt until the belt is fully rolled into the PTO pulley.

Problem	Cause	Remedy
Engine fails to start	<ol style="list-style-type: none"> 1. PTO/Blade Engage knob engaged. 2. Parking brake not engaged. 3. Spark plug wire(s) disconnected. 4. Throttle/choke control lever not in correct starting position. 5. Choke not activated. 6. Fuel tank empty, or stale fuel. 7. Blocked fuel line. 8. Faulty spark plug(s). 9. Engine flooded. 10. Fuse(s) blown. 	<ol style="list-style-type: none"> 1. Place knob in disengaged (OFF) position. 2. Engage parking brake. 3. Connect wire(s) to spark plug(s). 4. Place throttle/choke lever to FAST position. 5. Activate choke. 6. Fill tank with clean, fresh (less than 30 days old) gas. 7. Clean fuel line and replace fuel filter. 8. Clean, adjust gap or replace plug(s). 9. Crank engine with throttle in FAST position. 10. Replace fuse.
Engine runs erratic	<ol style="list-style-type: none"> 1. Tractor running with CHOKE activated. 2. Spark plug wire(s) loose. 3. Blocked fuel line or stale fuel. 4. Vent in gas cap plugged. 5. Water or dirt in fuel system. 6. Dirty air cleaner. 	<ol style="list-style-type: none"> 1. Deactivate the choke. 2. Connect spark plug wire(s). 3. Clean fuel line; fill tank with clean, fresh gasoline and replace fuel filter. 4. Clear vent or replace cap if damaged. 5. Drain fuel tank. Refill with clean, fresh gasoline. 6. Replace air cleaner paper element or clean foam pre-cleaner.
Engine overheats	<ol style="list-style-type: none"> 1. Engine oil level low. 2. Air flow restricted. 	<ol style="list-style-type: none"> 1. Fill crankcase with proper amount and weight of oil. 2. Clean grass clippings and debris from around the engine's cooling fins and blower housing.
Engine hesitates at high RPM	<ol style="list-style-type: none"> 1. Spark plug(s) gap too close. 	<ol style="list-style-type: none"> 1. Remove spark plug(s) and reset the gap.
Engine Idles rough	<ol style="list-style-type: none"> 1. Spark plug(s) fouled, faulty or gap too wide. 2. Dirty air cleaner. 	<ol style="list-style-type: none"> 1. Replace spark plug(s). Set plug gap. 2. Replace air cleaner element and/or clean pre-cleaner.
Excessive vibration	<ol style="list-style-type: none"> 1. Cutting blade loose or unbalanced. 2. Damaged or bent cutting blade. 	<ol style="list-style-type: none"> 1. Tighten blade and spindle. 2. Replace blade.
Mower will not mulch grass	<ol style="list-style-type: none"> 1. Engine speed too low. 2. Wet grass. 3. Excessively high grass. 4. Dull blade. 	<ol style="list-style-type: none"> 1. Place throttle in FAST (rabbit) position. 2. Do not mulch when grass is wet. 3. Mow once at a high cutting height, then mow again at desired height or make a narrower cutting swath. 4. Sharpen or replace blade.
Uneven cut	<ol style="list-style-type: none"> 1. Deck not leveled properly. 2. Dull blade. 3. Uneven tire pressure. 	<ol style="list-style-type: none"> 1. Perform side-to-side deck adjustment. 2. Sharpen or replace blade. 3. Check tire pressure in all four tires.

Hydrostatic Lawn Tractor	
Drive Belt (Mowing Deck) 50" Deck	954-04077
Deck Blade 2 in 1	942-04053C
Deck Spindle	918-04125B
Front Deck Wheel	734-04155
Rear Deck Wheel	734-0973
Battery	925-1707D
Fuel Tank Cap	951-12182
Throttle/Choke Control Cable	746-04556 (Kohler) 746-1100 (Kawasaki)
Choke Cable	746-04120 (Kawasaki)
Ignition Key	925-2054A
Discharge Chute Assembly	631-04092B

NOTE: Download a complete Parts Manual free of charge at www.cubcadet.ca or phone (800) 668-1238 to purchase a Parts Manual. Be sure to have your model number and serial number ready. These can be found on the model plate located under the seat. Refer to page 2 for more information regarding locating your model and serial numbers.

The following attachments and accessories are compatible for lawn tractor. See your Cub Cadet dealer or the retailer from which you purchased your tractor for information regarding price and availability.



Caution: These lawn tractors are NOT designed for use with any type of ground-engaging attachments (e.g. tiller or moldboard plow). Use of this type of equipment WILL void the tractor's warranty.

Model Number	Description
190-193-000	Mulch Kit, 50"
19A40002100	Triple Bagger, 50"
OEM-190-032	Snow Thrower, 42"
OEM-190-215	Wheel Weights
190-679-101	Bumper
OEM-190-833	46" Snow Blade
OEM-190-916	Tire Chains, 20" x 10"
190-012-100	Armrest Kit

CUB CADET LLC

MANUFACTURER'S LIMITED WARRANTY FOR SERIES 1000 AND SERIES 1500 TRACTORS

IMPORTANT: To obtain warranty coverage owner must present an original proof of purchase and applicable maintenance records to the servicing dealer. Please see the operator's manual for information on required maintenance and service intervals.

The limited warranty set forth below is given by Cub Cadet LLC with respect to new merchandise purchased or leased and used in the

United States and/or its territories and possessions, and by MTD Products Limited with respect to new merchandise purchased or leased and used in Canada and/or its territories and possessions (either entity respectively, "Cub Cadet").

Cub Cadet warrants this product (excluding its *Normal Wear Parts and Batteries* as described below) against defects in material and workmanship for a period of three (3) years or one hundred twenty (120) operation hours, whichever comes first, commencing on the date of original retail purchase or lease and will, at its option, repair or replace, free of charge, any part found to be defective in materials or workmanship.

Normal Wear Parts are warranted to be free from defects in material and workmanship for a period of thirty (30) days from the date of original purchase or lease. Normal wear parts include, but are not limited to items such as: belts, blades, blade adapters, grass bags, rider deck wheels, seats, and tires.

Batteries have a one-year prorated limited warranty against defects in material and workmanship, with 100% replacement during the first three months. After three months, the battery replacement credit is based on the months remaining in the twelve (12) month period dating back to the original date of original sale or lease. Any replacement battery will be warranted only for the remainder of the original warranty period.

Frame and Front Axle — Cub Cadet warrants the frame, and front cast iron pivot axle against defects in material and workmanship for a period of five (5) years or 500 hours, whichever occurs first, commencing on the date of original purchase or lease.

Attachments — Cub Cadet warrants attachments for this product against defects in material and workmanship for a period of two (2) years, commencing on the date of the attachment's original purchase or lease. Attachments include, but are not limited to items such as: grass collectors and mulch kits.

This limited warranty shall only apply if this product has been operated and maintained in accordance with the Operator's Manual furnished with the product, and has not been subject to misuse, abuse, commercial use, neglect, accident, improper maintenance, alteration, vandalism, theft, fire, water, or damage because of other peril or natural disaster. Damage resulting from the installation or use of any part, accessory or attachment not approved by Cub Cadet for use with the product(s) covered by this manual will void your warranty as to any resulting damage. In addition, Cub Cadet may deny warranty coverage if the hour meter, or any part thereof, is altered, modified, disconnected or otherwise tampered with.

HOW TO OBTAIN SERVICE: Warranty service is available, WITH PROOF OF PURCHASE AND APPLICABLE MAINTENANCE RECORDS, through your local authorized service dealer. To locate the dealer in your area:

In the U.S.A.:

Check your Yellow Pages, or contact Cub Cadet LLC at P.O. Box 361131, Cleveland, Ohio 44136-0019, call 1-877-282- 8684 or log on to our website at www.cubcadet.com.

In Canada:

Contact MTD Products Limited, Kitchener, ON N2G 4J1, call 1-800-668-1238 or log on to our website at www.mtdcanada.com.

Without limiting the foregoing, this limited warranty does not provide coverage in the following cases:

- a. Routine maintenance items such as lubricants, filters, blade sharpening, tune-ups, brake adjustments, clutch adjustments, deck adjustments, and normal deterioration of the exterior finish due to use or exposure.
- b. Service completed by someone other than an authorized service dealer.
- c. Cub Cadet does not extend any warranty for products sold or exported outside of the United States and/or Canada, and their respective possessions and territories, except those sold through Cub Cadet's authorized channels of export distribution.
- d. Replacement parts and/or accessories that are not genuine Cub Cadet parts.
- e. Transportation charges and service calls.

There are no implied warranties, including without limitation any implied warranty of merchantability or fitness for a particular purpose. No warranties shall apply after the applicable period of express written warranty above. No other express warranties beyond those mentioned above, given by any person or entity, including a dealer or retailer, with respect to any product, shall bind Cub Cadet. The exclusive remedy is repair or replacement of the product as set forth above. The terms of this warranty provide the sole and exclusive remedy arising from the sale and/or lease of the products covered hereby. Cub Cadet shall not be liable for any incidental or consequential loss or damage including, without limitation, expenses incurred for substitute or replacement lawn care services or for rental expenses to temporarily replace a warranted product.

Some jurisdictions do not allow the exclusion or limitation of incidental or consequential damages, or limitations on how long an implied warranty lasts, so the above exclusions or limitations may not apply to you.

In no event shall recovery of any kind be greater than the amount of the purchase price of the product sold. **Alteration of safety features of the product shall void this warranty.** You assume the risk and liability for loss, damage, or injury to you and your property and/or to others and their property arising out of the misuse or inability to use the product.

This limited warranty shall not extend to anyone other than the original purchaser or to the person for whom it was purchased as a gift.

HOW LOCAL LAWS RELATE TO THIS WARRANTY: This limited warranty gives you specific legal rights, and you may also have other rights that vary in different jurisdictions.

11.03.08

FEDERAL and/or CALIFORNIA EMISSION CONTROL WARRANTY STATEMENT

YOUR WARRANTY RIGHTS AND OBLIGATIONS

MTD Consumer Group Inc, the United States Environmental Protection Agency (EPA), and, for those products certified for sale in the state of California, the California Air Resources Board (CARB) are pleased to explain the emission (evaporative and/or exhaust) control system (ECS) warranty on your outdoor 2006 and later small off-road spark-ignited engine and equipment (outdoor equipment engine) In California, new outdoor equipment engines must be designed, built and equipped to meet the State's stringent anti-smog standards (in other states, 1997 and later model year equipment must be designed, built, and equipped to meet the U.S. EPA small off-road, spark ignition engine regulations. MTD Consumer Group Inc must warrant the ECS on your outdoor equipment engine for the period of time listed below provided there has been no abuse, neglect or improper maintenance of outdoor equipment engine.

Your ECS may include parts such as the carburetor, fuel-injection system, the ignition system, catalytic converter, fuel tanks, fuel lines, fuel caps, valves, canisters, filters, vapor hoses, clamps, connectors, and other associated emission-related components.

Where a warrantable condition exists, MTD Consumer Group Inc will repair your outdoor equipment engine at no cost to you including diagnosis, parts and labor.

MANUFACTURER'S WARRANTY COVERAGE:

This emission control system is warranted for two years. If any emission-related part on your outdoor equipment engine is defective, the part will be repaired or replaced by MTD CONSUMER GROUP INC.

OWNER'S WARRANTY RESPONSIBILITIES:

As the outdoor equipment engine owner, you are responsible for performance of the required maintenance listed in your owner's manual. MTD Consumer Group Inc recommends that you retain all receipts covering maintenance on your outdoor equipment engine, but MTD Consumer Group Inc cannot deny warranty solely for the lack of receipts.

As the outdoor equipment engine owner, you should however be aware that MTD Consumer Group Inc may deny you warranty coverage if your outdoor equipment engine or a part has failed due to abuse, neglect, or improper maintenance or unapproved modifications.

You are responsible for presenting your outdoor equipment engine to MTD Consumer Group Inc's distribution center or service center as soon as the problem exists. The warranty repairs should be completed in a reasonable amount of time, not to exceed 30 days. If you have a question regarding your warranty coverage, you should contact the MTD Consumer Group Inc Service Department.

In the U.S.A.: MTD LLC at P.O. Box 361131, Cleveland, Ohio 44136-0019, or call 1-800-800-7310 or 1-330-220-4683 or log on to our Web site at www.mtdproducts.com.

In Canada: MTD Products Limited, Kitchener, ON N2G 4J1, or call 1-800-668-1238 or log on to our Web site at www.mtdcanada.com.

GENERAL EMISSIONS WARRANTY COVERAGE:

MTD Consumer Group Inc warrants to the ultimate purchaser and each subsequent purchaser that the outdoor equipment engine is: Designed, built and equipped so as to conform with all applicable regulations; and free from defects in materials and workmanship that cause the failure of a warranted part to be identical in all material respects to that part as described in MTD Consumer Group Inc's application for certification.

The warranty period begins on the date the outdoor equipment engine is delivered to an ultimate purchaser or first placed into service. The warranty period is two years.

Subject to certain conditions and exclusions as stated below, the warranty on emission-related parts is as follows:

1. Any warranted part that is not scheduled for replacement as required maintenance in the written instructions supplied, is warranted for the warranty period stated above. If the part fails during the period of warranty coverage, the part will be repaired or replaced by MTD Consumer Group Inc according to subsection (4) below. Any such part repaired or replaced under warranty will be warranted for the remainder of the period.
2. Any warranted part that is scheduled only for regular inspection in the written instructions supplied is warranted for the warranty period stated above. Any such part repaired or replaced under warranty will be warranted for the remaining warranty period.
3. Any warranted part that is scheduled for replacement as required maintenance in the written instructions supplied is warranted for the period of time before the first scheduled replacement date for that part. If the part fails before the first scheduled replacement, the part will be repaired or replaced by MTD Consumer Group Inc according to subsection (4) below. Any such part repaired or replaced under warranty will be warranted for the remainder of the period prior to the first scheduled replacement point for the part.
4. Repair or replacement of any warranted part under the warranty provisions herein must be performed at a warranty station at no charge to the owner.
5. Notwithstanding the provisions herein, warranty services or repairs will be provided at all of our distribution centers that are franchised to service the subject engines or equipment.

6. The outdoor equipment engine owner will not be charged for diagnostic labor that is directly associated with diagnosis of a defective, emission-related warranted part, provided that such diagnostic work is performed at a warranty station.
7. MTD Consumer Group Inc is liable for damages to other engine or equipment components proximately caused by a failure under warranty of any warranted part.
8. Throughout the off-road engine and equipment warranty period stated above, MTD Consumer Group Inc will maintain a supply of warranted parts sufficient to meet the expected demand for such parts.
9. Any replacement part may be used in the performance of any warranty maintenance or repairs and must be provided without charge to the owner. Such use will not reduce the warranty obligations of MTD Consumer Group Inc.
10. Add-on or modified parts that are not exempted by the Air Resources Board may not be used. The use of any non-exempted add-on or modified parts by the ultimate purchaser will be grounds for disallowing a warranty claims. MTD Consumer Group Inc will not be liable to warrant failures of warranted parts caused by the use of a non-exempted add-on or modified part.

WARRANTED PARTS:

The repair or replacement of any warranted part otherwise eligible for warranty coverage may be excluded from such warranty coverage if MTD Consumer Group Inc demonstrates that the outdoor equipment engine has been abused, neglected, or improperly maintained, and that such abuse, neglect, or improper maintenance was the direct cause of the need for repair or replacement of the part. That notwithstanding, any adjustment of a component that has a factory installed, and properly operating, adjustment limiting device is still eligible for warranty coverage. Further, the coverage under this warranty extends only to parts that were present on the off-road engine and equipment purchased.

The following emission warranty parts are covered (if applicable):

- (1) Fuel Metering System
 - Cold start enrichment system (soft choke)
 - Carburetor and internal parts (or fuel injection system)
 - Fuel pump
 - Fuel tank
- (2) Air Induction System
 - Air cleaner
 - Intake manifold
- (3) Ignition System
 - Spark plug(s)
 - Magneto ignition system
- (4) Exhaust System
 - Catalytic converter
 - SAI (Reed valve)
- (5) Miscellaneous Items Used in Above System
 - Vacuum, temperature, position, time sensitive valves and switches
 - Connectors and assemblies
- (6) Evaporative Control
 - Fuel hose
 - Fuel hose clamps
 - Tethered fuel cap
 - Carbon canister
 - Vapor lines

NOTE: If you require warranty service in Canada and your product was sold by MTD Products Limited within Canada to the retailer you purchased it from in Canada then the MTD Consumer Group Inc portion of this warranty will be honored by MTD Products Limited in Canada.

5. Nonobstant les termes énoncés, les services ou réparations sous garantie doivent être effectués dans tous les centres de distribution/concessionnaires MTD Consumer Group Inc autorisés à entretenir les moteurs ou l'équipement en question.
6. Les diagnostics permettant d'établir qu'une pièce garantie est défectueuse doivent être effectués sans frais pour le propriétaire du moteur de l'équipement motorisé, à condition d'être réalisés par une station technique autorisée à offrir les services sous garantie.
7. MTD Consumer Group Inc est tenue responsable des dégâts aux autres pièces du moteur ou de l'équipement susceptibles d'avoir été causés par la panne sous garantie d'une pièce garantie.
8. MTD Consumer Group Inc s'engage à conserver un stock de pièces garanties suffisant pour satisfaire la demande prévue pour ces pièces pendant la période de garantie de la tondeuse à gazon stipulée ci-dessus.
9. Toute pièce de remplacement peut être utilisée pour l'entretien ou la réparation sous garantie et doit être fournie gratuitement au propriétaire. Ceci ne limite pas les obligations de garantie de MTD Consumer Group Inc.
10. Les pièces complémentaires ou modifiées qui ne sont pas exemptées par le « Air Resources Board » ne peuvent toutefois pas être utilisées. L'emploi de toute pièce complémentaire ou modifiée non exemptée sera suffisant pour rejeter une demande d'application de la garantie en vertu de cet article. MTD Consumer Group Inc ne sera pas tenue, en vertu de cet article, de garantir les pièces garanties si leur défaillance a été causée par l'utilisation d'une pièce complémentaire ou modifiée non exemptée.

PIÈCES GARANTIES

La réparation ou le remplacement de toute pièce garantie, admissible à la garantie, peut être exclus(e) de celle-ci si MTD Consumer Group Inc peut prouver que le moteur de l'équipement motorisé a fait l'objet d'abus, de négligence, d'un entretien incorrect ou si cet abus, cette négligence ou l'entretien incorrect a été causé(e) de façon directe, par la réparation ou le remplacement de la pièce. Nonobstant cette situation, tout ajustement d'une pièce équipée d'un dispositif de limitation correctement installé et en bon état de fonctionnement, demeure admissible à la garantie. De plus, cette garantie se prolonge seulement aux pièces qui étaient présentes sur le moteur hors route et sur l'équipement acheté.

- (1) Système de dosage du carburant
- (1) Système d'enrichissement du carburant pour démarrages à froid
- Carburateur et pièces internes (ou le système d'injection)
- Pompe à carburant
- Réservoir à carburant
- (2) Système d'admission de l'air
- Filtre à air
- Tubulure d'admission
- (3) Système d'allumage
- Bougie(s)
- Système d'allumage à magnéto
- (4) Système d'échappement
- Pot catalytique
- Soupape d'injection d'air secondaire pulvé (Soupape Reed)
- (5) Divers articles utilisés dans le système ci-dessus
- Soupapes de dépression, thermococontacts, soupapes de positionnement et à action minutée et interrupteurs
- (6) Système d'évaporation
- Canaillisation d'essence
- Colliers pour canaillisations d'essence
- Bouchon d'essence attaché
- Cartouche à charbon actif
- Canaillisations pour les vapeurs

REMARQUE: MTD Products Limited honorerà la portion de cette garantie offerte par MTD Consumer Group Inc, si vous avez besoin d'un service couvert par la garantie au Canada et si votre produit a été vendu par MTD Products Limited au Canada au concessionnaire chez lequel vous l'avez acheté au Canada.

4. La réparation ou le remplacement de toute pièce garantie en vertu de la garantie énoncée dans cet article doit être effectuée(e) par une station technique agréée, sans frais pour le propriétaire.
3. Toute pièce garantie, pour laquelle les instructions prévoient le remplacement dans le cadre d'un entretien requis, est garantie pour la période précédant le premier remplacement prévu. Si la pièce tombe en panne avant le premier intervalle de remplacement prévu, la pièce sera réparée ou remplacée par MTD Consumer Group Inc conformément au paragraphe (4) ci-dessous. Toute pièce réparée ou remplacée sous garantie est garantie pour le solde de la période de garantie avant le premier intervalle de remplacement prévu de la pièce.
2. Toute pièce garantie, pour laquelle les instructions écrites prévoient seulement une inspection régulière, est garantie pour la période de garantie spécifiée dans le paragraphe ci-dessus. Toute pièce réparée ou remplacée en vertu de la garantie est garantie pour le solde de la période de garantie.
1. Toute pièce garantie, pour laquelle les instructions écrites fournies ne prévoient pas le remplacement dans le calendrier des entretiens requis, est garantie pour la période de garantie spécifiée ci-dessus. Si une telle pièce tombe en panne pendant la période de garantie, elle sera réparée ou remplacée par MTD Consumer Group Inc conformément au paragraphe (4) ci-dessous. Toute pièce réparée ou remplacée en vertu de la garantie est garantie pour le solde de la période de garantie.
- Sous réserve des conditions et exclusions ci-dessous, la garantie des pièces du système anti-pollution sera interprétée comme suit :
- La période de garantie commence le jour où la tondeuse à gazon est livrée à l'acheteur au détail initial ou à sa mise en service initiale. La période de garantie décrite dans la demande de certification par MTD Consumer Group Inc.
- identique à la pièce décrite dans la demande de certification par MTD Consumer Group Inc.

PROTECTION OFFERTE PAR LA GARANTIE

MTD Consumer Group Inc garantit à l'acheteur au détail initial et à chaque acheteur successif que la tondeuse à gazon a été conçue, construite et équipée conformément à tous les règlements applicables ; qu'elle est exempte de tout vice de matière et de fabrication susceptible de causer la défaillance d'une pièce garantie, en tous points

www.mtdcanada.com

Au Canada : MTD Products Limited, Kitchener, Ontario, N2G 4J1 ou appelez le 1-800-668-1238 ou visitez notre site web au

pouvez aussi visiter notre site web au www.mtdproducts.com

Aux États-Unis : MTD LLC, P.O. Box 361131, Cleveland, Ohio 44136-0019 ou appelez le 1-800-800-7310 ou le 1-330-220-4683. Vous

Group Inc.

question concernant vos droits et responsabilités en vertu de cette garantie, adressez-vous au Services technique de MTD Consumer problème. Les réparations sous garantie devraient être effectuées dans un délai raisonnable ne dépassant pas 30 jours. Pour toute Le propriétaire est tenu de présenter le moteur de l'équipement motorisé à une station technique agréée dès l'apparition d'un

incorrect ou de modifications non approuvées.

garantie si le moteur de l'équipement motorisé ou l'une quelconque de ses pièces a fait l'objet d'abus, de négligence, d'un entretien La propriétaire du moteur de l'équipement motorisé doit toutefois savoir que MTD Consumer Group Inc peut refuser d'honorer la

de l'absence de reçus.

l'équipement motorisé. Toutefois, MTD Consumer Group Inc ne peut pas refuser les réclamations sous garantie uniquement à cause notice d'utilisation. MTD Consumer Group Inc recommande de conserver tous les reçus se rapportant à l'entretien du moteur de Le propriétaire du moteur de l'équipement motorisé est tenu de respecter le calendrier des entretiens requis énoncés dans la

RESPONSABILITÉS DU PROPRIÉTAIRE

Le système anti-pollution est garanti pour une période de deux ans. Toute pièce annexe du système anti-pollution du moteur jugée défectueuse sera réparée ou remplacée par MTD Consumer Group Inc.

GARANTIE DU FABRICANT

MTD Consumer Group Inc s'engage à réparer gratuitement votre tondeuse à gazon, y compris les frais de diagnostic, les pièces et la main d'œuvre, en cas de problème couvert par la garantie.

canalisations, colliers, raccords et autres pièces annexes du système anti-pollution.

Le système anti-pollution peut inclure les pièces suivantes : carburateur, système d'injection du carburant, système d'allumage, pot catalytique, réservoir, canalisations et bouchons d'essence, soupapes, cartouches absorbantes des vapeurs d'essence, filtres,

l'équipement hors route n'aient pas fait l'objet d'abus, de négligence ou d'un entretien incorrect.

Consumer Group Inc. doit garantir le système anti-pollution du moteur pour la durée stipulée ci-dessous, à condition que le moteur et par étincelle des années 1997 et ultérieures doivent respecter des normes similaires établies par U. S. EPA). MTD Consumer Group Inc.

ment aux normes anti-pollution strictes de l'état. (Allieurs aux États-Unis, les moteurs et l'équipement hors route neufs à allumage construits en 2008. En Californie, les moteurs et l'équipement hors route neufs doivent être conçus, construits et équipés conforme-

Group Inc. Consumer Group Inc. présentent la garantie du système anti-pollution installé sur vos moteur et équipement hors route C'est avec plaisir que California Air Resources Board (CARB), la United States Environmental Protection Agency et MTD Consumer

Droits et obligations du propriétaire en vertu de la garantie

Déclaration de garantie du système anti-pollution en Californie

CUB CADET LLC GARANTIE LIMITÉE DU FABRICANT POUR LE TRACTEUR DES LA SÉRIES 1000 ET 1500

IMPORTANT : Pour faire honorer la garantie, le propriétaire doit présenter une preuve originale de l'achat et les relevés d'entretien correspondant à la tondeuse à la station technique. Les renseignements concernant les opérations et intervalles des entretiens requis se trouvent dans la notice d'utilisation de la tondeuse.

La garantie limitée qui est énoncée ci-dessous est offerte par Cub Cadet LLC pour toutes les marchandises neuves achetées et utilisées aux États-Unis, dans ses possessions et territoires, et par MTD Products Limited, pour toutes les marchandises achetées et utilisées au Canada et/ou ses territoires (l'une ou l'autre entité respectivement appelée « Cub Cadet »).

Cub Cadet garantit que ce produit (à l'exception des pièces à usure normale énumérées ci-dessous et des batteries) est exempt de tout vice de matière et de fabrication pour une durée de trois (3) ans ou cent vingt (120) heures de fonctionnement, selon ce qui survient d'abord, à compter de la date de l'achat initial et s'engage à réparer ou à remplacer, gratuitement et à son choix, toute pièce qui s'avère défectueuse en raison d'un vice de matière ou de fabrication. Les pièces ou composants à usure normale sont garantis exempts de tout vice de matière et de fabrication pour une période de 30 jours à compter de la date d'achat. Les pièces et composants à usure normale comprennent, sans s'y limiter, les batteries, courroies, lames, adaptateurs de lame, sacs à herbe, roues de plateau de coupe, sièges, patins de souffluses, roues de frottement, lames de raclage, le caoutchouc de la tarière et pneus.

Les batteries sont couvertes par une garantie limitée contre tout vice de matière et de fabrication pour une durée proportionnelle d'un an et elles seront remplacées gratuitement pendant les trois premiers mois. Après cette période, le crédit de remplacement sera proportionnel au nombre de mois restant dans la période de garantie de douze (12) mois à compter de la date initiale de l'achat ou de la location-bail. La batterie de remplacement est garantie pour le solde de la période de la garantie initiale.

Chassis et essieu avant – Cub Cadet garantit que le châssis et l'essieu avant pivotant en fonte sont exempts de tout vice de matière et de main d'œuvre pendant une période de cinq (5) ans ou de 500 heures de fonctionnement, selon ce qui survient d'abord, à compter de la date de l'achat ou du bail initial. Accessoires – Cub Cadet garantit que les accessoires pour ce produit sont exempts de tout vice de matière et de main d'œuvre pendant une période de deux (2) ans, à compter de la date de l'achat ou du bail initial. Les accessoires comprennent, sans s'y limiter, les collecteurs d'herbe et les ensembles de déshiquetage.

Cette garantie limitée n'est applicable que si ce produit a été utilisé et entretenu conformément aux instructions de la notice d'utilisation qui l'accompagne. De plus, le produit ne doit pas avoir fait l'objet d'un emploi incorrect ou abusif, d'une utilisation à des fins commerciales, d'une négligence, d'un accident, d'un entretien incorrect, d'une modification, d'un acte de vandalisme, d'un incendie, d'une inondation ou de tout autre dégat causé par tout incident ou désastre naturel. Les dégâts causés par l'installation ou l'utilisation d'une pièce, d'un accessoire ou d'un équipement annexe, dont l'emploi avec le produit faisant l'objet de la notice d'utilisation n'est pas homologué par MTD, rendront la garantie nulle et non avenue. Cub Cadet peut en outre refuser d'honorer la garantie si le compteur d'heures, ou toute pièce du compteur d'heures, a fait l'objet d'un changement, d'une modification, a été débranché ou altéré d'une façon quelconque.

POUR FAIRE HONORER LA GARANTIE : Présentez UNE PREUVE D'ACHAT ET LES RELEVÉS D'ENTRETIEN CORRESPONDANTS, à la station technique agréée de votre localité. Pour localiser une station technique agréée ou un concessionnaire dans votre région :

Aux États-Unis : Consultez les Pages Jaunes ou adressez-vous à Cub Cadet LLC, P.O. Box 361131, Cleveland, Ohio 44136-0019 ou appelez le 1-877-282-8684. Vous pouvez aussi visiter notre site web www.cubcadet.com **Au Canada :** Adressez-vous à MTD Products Limited, Kitchener, Ontario, N2G 4J1 ou appelez le 1-800-668-1238 ou visitez notre site web www.mtdcanada.com Sans se limiter à ce qui précède, cette garantie ne couvre pas :

- Les articles d'entretien courant tels que les lubrifiants, filtres, aiguillages de lame et révisions, les réglages de frein, de l'embrayage ou du plateau de coupe et la détérioration normale de la finition du fait de l'utilisation de la machine ou de son exposition aux intempéries.
- L'entretien ou les réparations effectuées par quiconque autre qu'une station technique agréée.
- Cub Cadet ne garantit pas les produits vendus ou exportés hors des États-Unis et/ou du Canada, de leurs possessions et territoires respectifs, sauf si ces produits ont été vendus par l'intermédiaire des services d'exportation de Cub Cadet.
- Les pièces de rechange si elles ne sont pas des pièces Cub Cadet authentiques.
- Les frais de transport des machines et de déplacement des techniciens.

Aucune garantie tacite ne s'applique, y compris sans s'y limiter, toute garantie tacite de qualité marchande ou d'adaptabilité dans un but particulier. Aucune garantie ne s'applique après la période de vigueur applicable de la garantie écrite ci-dessus. Aucune autre garantie expresse, à l'exception des stipulations ci-dessus, n'engage Cub Cadet même si elle est offerte par toute personne ou entité, y compris un concessionnaire/revendeur, pour n'importe quel produit. La réparation ou le remplacement du produit dans les conditions ci-dessus constitue le recours unique et exclusif à la disposition du client. Les stipulations énoncées dans cette garantie offrent le seul recours à la suite de la vente ou de la location-bail des produits couverts par cette garantie. Cub Cadet ne peut être tenue responsable pour toute perte ou tout dommage accessoire ou immatériel comprenant, sans s'y limiter, les frais de remplacement ou de substitution des services d'entretien des pelouse ou les frais de location pour remplacer temporairement un produit sous garantie.

Certaines juridictions ne permettent pas l'inclusion ou la restriction des dommages accessoires ou immatériels ou une limite à la durée de la garantie tacite. Par conséquent, les exclusions ci-dessus peuvent ne pas s'appliquer dans votre situation. Le remboursement ou remplacement quel qu'il soit ne sera en aucun cas supérieur au montant du prix d'achat du produit vendu. **Toute modification des caractéristiques de sécurité rendra la garantie nulle et non avenue.** L'utilisateur assume tout risque et toute responsabilité en cas de perte, de dommage matériel ou de blessure résultant de l'utilisation incorrecte du produit ou de l'incapacité de l'employer.

Cette garantie limitée n'est offerte qu'à l'acheteur initial ou à la personne à laquelle le produit a été offert en cadeau. **LES LOIS LOCALES ET CETTE GARANTIE :** Cette garantie limitée vous accorde des droits juridiques spécifiques et vous pouvez bénéficier d'autres droits qui varient selon les juridictions. **IMPORTANT :** Le propriétaire doit présenter le reçu original pour faire honorer la garantie.

Cub Cadet LLC, P.O. Box 361131 CLEVELAND, OHIO 44136-0019, téléphone: 1-877-282-8684
MTD Products Limited, Kitchener, ON N2G 4J1, téléphone: 1-800-668-1238

Tracteur de pelouse hydrostatique	
954-04077	Courroie de l'entraînement (plateau de coupe)
942-04053C	Courroie de plateau de coupe "2 en 1"
918-04125B	Ensemble de fusée mené
734-04155	Roue de plateau de coupe (avant)
734-0973	Roue de plateau de coupe (arrière)
925-1707D	Batterie
951-12182	Capuchon d'essence
746-04556 (Kohler) 746-1100 (Kawasaki)	Cable de l'obturateur/volet de départ
746-04120 (Kawasaki)	Cable du volet de départ
925-2054A	Clé (plastique)
631-04092B	Déflecteur complet

REMARQUE: Cette notice d'utilisation présente les caractéristiques de plusieurs modèles. Les caractéristiques mentionnées et/ou représentées dans cette notice ne s'appliquent pas nécessairement à tous les modèles. MTD LLC se réserve le droit de modifier les caractéristiques, les dessins et l'équipement proprement dit sans préavis ni obligation.

REMARQUE: Vous pouvez télécharger un livret contenant la liste complète des pièces détachées en visitant www.cubcadet.ca ou en téléphonant au 1-800-567-6775 pour en acheter un. Préparez le numéro de modèle et le numéro de série de votre machine. Vous les trouverez sur la plaque signalétique qui se trouve sous le siège. Voir les renseignements qui se trouvent à la page 2 pour localiser les numéros de modèle et de série de votre machine.

Accessoires et Équipement Annexe

9

Les accessoires et équipement annexe suivants peuvent être installés sur le tracteur -. Adressez-vous au concessionnaire chez lequel vous avez acheté le tracteur pour tout renseignement concernant les prix et la disponibilité des accessoires.

ATTENTION : Les tracteurs de pelouse ne sont pas conçus pour être utilisés avec des accessoires de travail de la terre (motoculteur ou charue par ex.). L'emploi de ce genre d'accessoires rendra la garantie nulle et non avenue.



Description	Numéro de modèle
Ensemble de déchiquetage, 50 po	190-193-000
Collecteur d'herbe à trois sacs, 50 po	19A40002100
Souffleuse à neige de 42 po	OEM-190-032
Contrepoids	OEM-190-215
Pare-chocs avant	190-679-101
Lame de poussée de 46 po	OEM-190-833
Chaînes pour pneus, 20 x 10 po	OEM-190-916
Trousse d'accoudoir	190-012-100

Problème	Cause	Solution
Le moteur ne tourne pas	1. Manette de la prise de force est enclenchée. 2. Frein de stationnement déclenché. 3. Fil de la bougie desserré. 4. Manette commande de l'obturateur/volet de départ n'est pas en position de démarrage. 5. Volet de départ non actif. 6. Réservoir de carburant est vide ou essence éventée. 7. Canaïlisation de carburant bouchée. 8. Bougie défectueuse. 9. Le moteur est noyé. 10. Fusible sauté	1. Placez la manette de la prise de force à la position (OFF) déclenchée. 2. Enclenchez le frein de stationnement. 3. Branchez le fil de la bougie. 4. Placez le manette de commande de l'obturateur/volet de départ à la position FAST (rapide) 5. Actionnez la commande du volet de départ. 6. Faites le plein avec une essence propre et fraîche. 7. Nettoyez la canaïlisation. 8. Nettoyez, réglez l'écartement ou remplacez la bougie. 9. Démarrez le moteur avec la manette de commande de l'obturateur à la position FAST (rapide) 10. Remplacez le fusible.
Fonctionnement irrégulier	1. Machine fonctionnant avec volet de départ fermé. 2. Fil de la bougie desserré. 3. Canaïlisation de carburant bouchée ou essence éventée. 4. L'évent du capuchon du réservoir est bouché. 5. Eau ou saleté dans le système d'essence. 6. Filtre à air est sale.	1. Dégagez la manette du volet de départ. 2. Branchez et serrez le fil de la bougie. 3. Nettoyez la canaïlisation ; faites le plein avec une essence propre. Remplacez le filtre de carburant (si équipé) 4. Débouchez l'évent ou remplacez le capuchon. 5. Débranchez la canaïlisation d'essence au carburateur pour vider le réservoir d'essence. Faites le plein avec une essence fraîche. 6. Remplacez le filtre à air ou le pré-nettoyeur.
Moteur surchauffe	1. Niveau d'huile est trop bas. 2. La circulation d'air est gênée.	1. Faites le plein d'huile du carter. 2. Essayez les brins d'herbe et débris autour des ailerons refroidissant du moteur et de l'habitacle du ventilateur.
Moteur hésite à vitesse élevée	1. Écartement de la bougie trop petit.	1. Retirez la bougie et réglez l'écartement.
Le moteur tourne irrégulièrement	1. La bougie est sale, défectueuse ou l'écartement est trop grand. 2. Filtre à air est sale.	1. Remplacez la bougie. Réglez l'écartement. 2. Remplacez le filtre à air ou le pré-nettoyeur (si équipé).
Vibrations excessives	1. La lame de coupe est desserrée ou déséquilibrée. 2. La lame est endommagée ou déformée.	1. Serrez la lame et la fusée. Équilibrerez la lame. 2. Remplacez la lame.
La tondeuse ne déchiquette pas l'herbe (le cas échéant)	1. Vitesse du moteur trop bas. 2. L'herbe est mouillée. 3. L'herbe est trop haute. 4. La lame est émoussée.	1. Placez l'obturateur à la position FAST (rapide). 2. Ne tondez pas quand l'herbe est mouillée. Attendez qu'elle sèche. 3. Coupez l'herbe à un réglage élevé, puis tondez à nouveau à la hauteur voulue ou sur une largeur plus étroite. 4. Aiguissez ou remplacez la lame.
La coupe est irrégulière	1. Plateau de coupe non équilibré correctement. 2. La lame est émoussée. 3. Pression inégale de pneu.	1. Faites le réglage latéral du plateau de coupe. 2. Aiguissez ou remplacez la lame. 3. Vérifiez la pression de pneu dans chacun des quatre pneus.

Changement de la courroie de transmission

Certains pièces doivent être retirées et des outils spéciaux (clé pneumatique) doivent être utilisés pour remplacer les courroies de transmission du tracteur. Adressez-vous à une station technique agréée pour faire remplacer les courroies de transmission.

Changement de la courroie du plateau de coupe

AVERTISSEMENT Arrêtez le moteur, enlevez la clé de contact, débranchez le fil de la bougie pour empêcher tout démarrage non intentionnel avant de démonter les lames pour les aiguïser ou les remplacer. Portez toujours des gants épais ou utilisez un chiffon pour manipuler les lames.

AVERTISSEMENT Les courroies trapézoïdales installées sur le tracteur sont conçues pour un embrayage et un débrayage sans danger. L'emploi d'une courroie de remplacement (sans l'étiquette d'équipement d'origine) peut s'avérer dangereux si cette courroie ne se débraye pas complètement. N'utilisez que des courroies homologuées par l'usine.

Toutes les courroies du tracteur s'usent et doivent être remplacées à tout signe de fendillement, de déchirement ou de pourriture. Procédez comme suit pour changer ou remplacer les courroies du plateau de coupe :

1. Démontez le plateau de coupe en suivant les instructions fournies précédemment.
2. Retirez les couvre-courroies en enlevant les vis auto-taranduses qui les maintiennent sur le plateau de coupe. Voir la Fig. 7-8.
3. Desserrez, mais n'enlevez pas la tige de garde de la courroie sur la poulie située près de l'arrière du plateau de coupe. Voir la Figure 7-8.

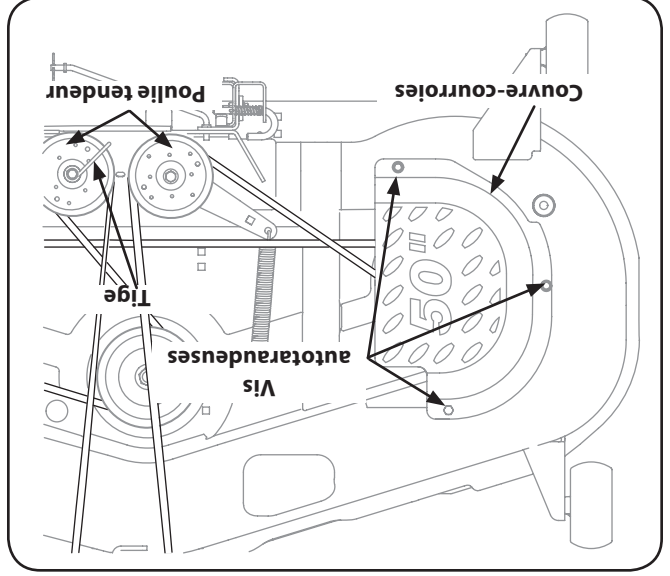


Figure 7-8

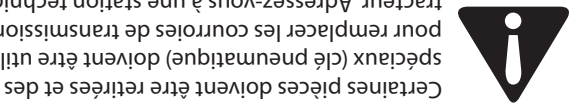
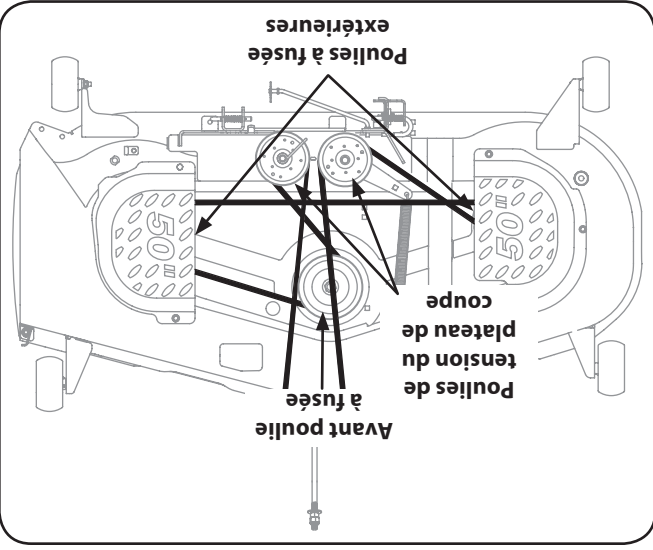
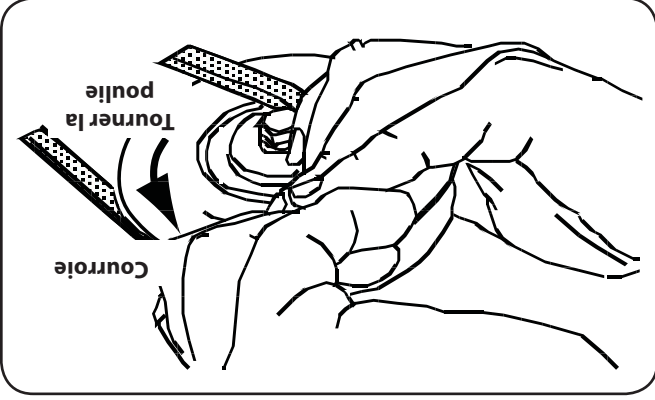


Figure 7-9



4. Dégagez la courroie du plateau de coupe de toutes les pouilles, y compris des pouilles de tension du plateau de coupe.
5. Pour installer la courroie neuve, commencez par la placer sur les deux pouilles à fusée extérieures, puis sur la poulie à fusée intérieure, comme à la Figure 7-9.
6. Faites ensuite passer la courroie sur les deux pouilles de tension du plateau de coupe, comme à la Figure 7-9.
7. Reserrez la tige garde de la courroie desserrée précédemment.
8. Remettez les couvre-courroies retirés plus tôt.
9. Installez le plateau de coupe en vous assurant que la courroie est bien acheminée autour des courroies selon les instructions.
10. Tirez sur le côté droit de la courroie et placez le côté étroit en V sur la courroie de la prise de force. Voir la Figure 7-10.

Figure 7-10



11. Tenez bien la courroie et la poulie et faites tourner la poulie vers la gauche (Voir la Figure 7-10). Continuez jusqu'à ce que la courroie soit bien assise dans la poulie de la prise de force.



AVERTISSEMENT: Si le bord tranchant a déjà été aiguisé, ou si une séparation des couches métalliques s'est produite, remplacez les lames.



AVERTISSEMENT: En effet, une lame déséquilibrée risque de vibrer excessivement à vitesse élevée. Ceci peut endommager le tracteur et causer des blessures.



REMARQUE: Faites attention, en remplaçant la lame, de tourner le côté «Bottom» (bas) (ou sur lequel un numéro de pièce est estampé) vers le sol quand la machine est utilisée.

AVERTISSEMENT: Filitez la bride à six pans sur l'arbre de la fusée et utilisez une clé pour serrer l'écrou à bride à six pans à un couple de 70 à 90 pi-lb.

Batterie



PROPOSITION 65 – Californie!
Les bornes et cosses de batterie et d'autres accessoires annexes contiennent du plomb et des mélanges à base de plomb, soit des produits chimiques reconnus cancérigènes et responsables d'anomalies congénitales ou autres par l'État de Californie. Il est impératif de bien se laver les mains après toute maintenance.



CAUTION: Si, pour une raison quelconque, il est nécessaire de démonter la batterie, débranchez toujours le câble NÉGATIF (noir) de la borne négative, puis le câble POSITIF (rouge). Lors du remontage de la batterie, branchez toujours le câble POSITIF (rouge) sur la borne positive, puis le câble NÉGATIF (noir).



AVERTISSEMENT! Ne faites jamais démarrer une batterie endommagée ou gelée en utilisant des câbles volants. Assurez-vous que les véhicules ne se touchent pas et que le moteur de chaque véhicule est arrêté. Faites attention que les pinces des câbles ne se touchent pas.

Démarrage par câbles volants

1. Branchez le câble positif (+) sur la borne positive (+) de la batterie à plat du tracteur.
 2. Branchez l'autre extrémité du câble positif (+) sur la borne positive (+) de la batterie d'appoint.
 3. Branchez le câble négatif (-) sur l'autre borne de la batterie d'appoint.
 4. Finalement, branchez l'autre extrémité du câble négatif sur le bloc moteur du tracteur, à l'écart de la batterie. Choisissez un endroit non peint pour obtenir un bon contact.
- ATTENTION :** Si la batterie d'appoint est installée sur un véhicule (voiture, camion), ne mettez pas le moteur du véhicule en marche pour faire démarrer le tracteur.



AVERTISSEMENT: Les batteries déga-gent des gaz explosifs pendant leur mise en charge et après. Chargez toujours les batteries dans un endroit bien aéré et ne produisez pas d'étincelles ni de flammes à proximité.



ATTENTION : Pour charger la batterie du tracteur, utilisez seulement un chargeur conçu pour des batteries à accumulateur plomb-acide de 12 volts. Veuillez lire la notice d'utilisation du chargeur de la batterie avant de charger la batterie. Suivez toujours les instructions et respectez les avertissements.

Si le tracteur n'a pas été utilisé pendant une période prolongée, chargez la batterie comme suit:

1. Réglez le chargeur à une charge max. de 10 ampères.
2. Si le chargeur de la batterie est automatique, chargez la batterie jusqu'à ce que le chargeur indique que la charge est terminée. S'il n'est pas automatique, chargez la batterie pendant un minimum de huit heures.



AVERTISSEMENT : Avant d'entretenir, réparer ou inspecter, débrayez toujours la prise de force, serrez le frein de stationnement, arrêtez le moteur et retirez la clé pour empêcher tout démarrage non intentionnel.

Un fusible de 20 A est installé dans le faisceau de fils du tracteur pour protéger le système électrique du tracteur des dégâts causés par un ampérage trop élevé.

Si le système électrique ne fonctionne pas, ou si le moteur ne tourne pas, vérifiez d'abord que le fusible n'a pas sauté. Le fusible est installé sous le capot, derrière le haut du panneau de bord sur la barre de support.



AVERTISSEMENT: Remplacez toujours le fusible par un fusible de même ampérage.



AVERTISSEMENT: Ne dépassez jamais la pression de gonflage maximale indiquée sur le flanc du pneu.

La pression des pneus recommandée pour le travail est de 10 lb/poz environ pour les pneus arrière, 14 lb/poz environ pour les pneus avant. La pression recommandée par le fabricant est indiquée sur le flanc des pneus. Ne gonflez pas excessivement les pneus. Une pression inégale peut causer la tonte inégale de l'herbe.

Charge de la batterie

5. Mettez le tracteur en marche (en suivant les instructions du chapitre «Fonctionnement» dans cette notice d'utilisation.
6. Serrez le frein de stationnement avant de retirer les câbles volants dans l'ordre inverse de leur branchement.

AVERTISSEMENT: Examinez régulièrement les fusées pour vous assurer qu'elles ne sont pas fendillées ou endommagées, surtout après avoir heurté un objet quelconque. Remplacez-les immédiatement s'ils sont endommagés.



Démontez les lames pour les aiguiser ou pour les remplacer.

1. Démontez le plateau de coupe qui se trouve sous le tracteur (voir le chapitre «Démontage du plateau de coupe»), puis retournez-le pour travailler sur le dessous.
2. Placez une cale de bois entre le déflecteur au milieu du plateau et la lame pour faciliter le desserrage de l'écrou à six pans qui retient la lame. Voir la Figure 7-6.
3. Retirez l'écrou à bride à six pans qui maintient la lame sur la base de la fusée. Voir la Figure 7-6.

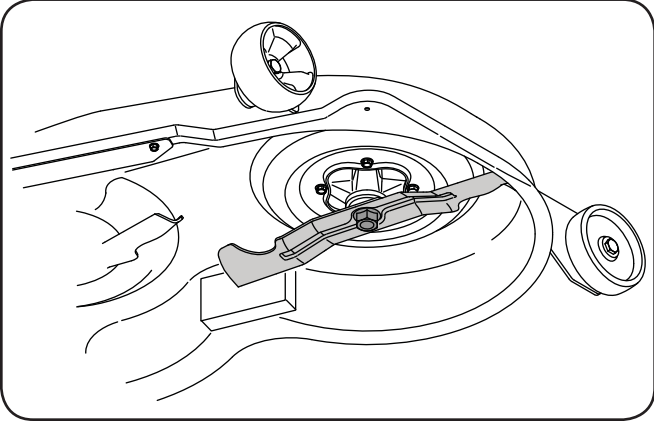


Figure 7-6

4. Pour aiguiser les lames, éliminez la même quantité de métal tranchant sur deux extrémités sur le côté tranchant. Aiguisiez le bord tranchant sur toute sa longueur, parallèlement au bord arrière, soit à un angle de 25° à 30°. Il est essentiel d'aiguiser les tranchants de façon égale pour conserver une lame bien équilibrée. Voir la Figure 7-7.

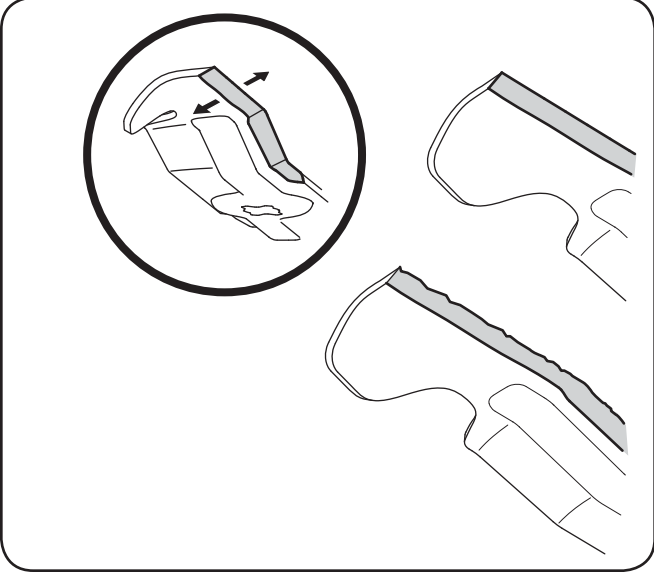


Figure 7-7

9. Enlever la goupille fendue reliant la tige de stabilisation du plateau de coupe au châssis du tracteur. Voir Fig. 7-4.

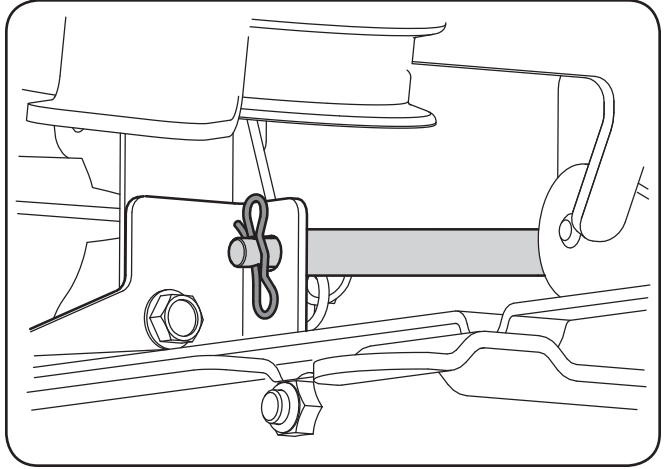


Figure 7-4

10. Dégagez la goupille fendue de l'extrémité de la tige de stabilisation et dégagez celle-ci du support d'accrochage du plateau de coupe. Voir la Figure 7-5.

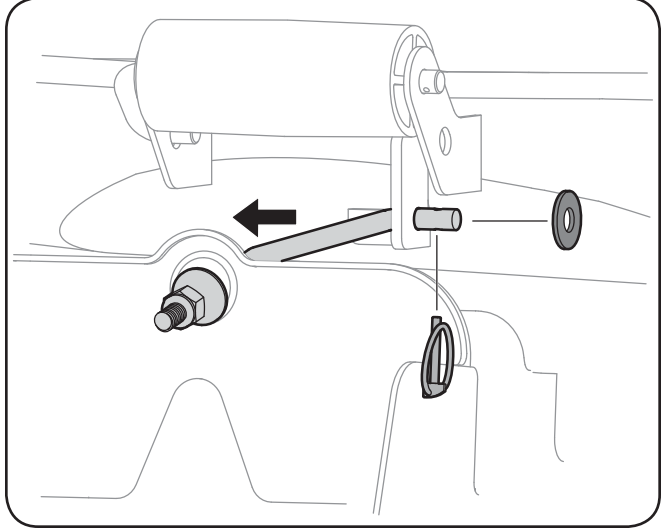


Figure 7-5

11. Glissez doucement le plateau de coupe (du côté droit) pour le dégager du dessous du tracteur.
12. Réinstallez la tige de garde de la courroie desserrée plus tôt.



Lames

AVERTISSEMENT ! Arrêtez le moteur, enlevez la clé de contact, débranchez le fil de la bougie pour empêcher tout démarrage non intentionnel avant de démonter les lames pour les aiguiser ou les remplacer. Portez toujours des gants épais ou utilisez un chiffon pour manipuler les lames.

Démontage du plateau de coupe

Pour démonter le plateau de coupe, procédez comme suit :

1. Placez le bouton de la prise de force à la position « OFF » (Non embrayé) et serrez le frein de stationnement.
2. Abaissez le plateau de coupe en plaçant la manette de relèvement du plateau dans l'encoche inférieure sur le garde-boue de droite.
3. Localisez l'embrayage de la prise de force sous l'avant du tracteur. Voir la Fig. 7-1.

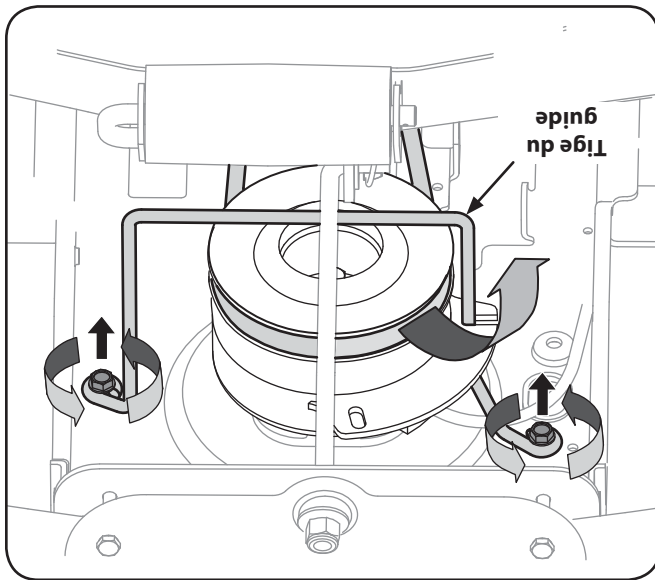


Figure 7-1

4. Démontez le dispositif de protection de la courroie et la courroie comme suit. Voir la Fig. 7-1.

- a. Retirez la vis à six pans.
- b. Abaissez la tige du guide de la courroie vers la droite pour la retirer.
- c. Dégagez la courroie du plateau de coupe de l'embrayage de la prise de force électrique.

REMARQUE: Si la tension de la poulie est trop importante pour permettre son démontage facile de l'embrayage de la prise de force électrique, insérez soigneusement une clé à cliquet de 3/8 po dans le trou carré qui se trouve sur le support gauche de la poulie de tension. Faites ensuite pivoter la clé à cliquet vers la droite du tracteur pour détendre la courroie. Voir la Figure 7-2

AVERTISSEMENT: Faites attention de ne pas vous pincer. Ne placez pas vos doigts sur le ressort de la poulie de tension ni entre la courroie et la poulie quand vous démontez la courroie.

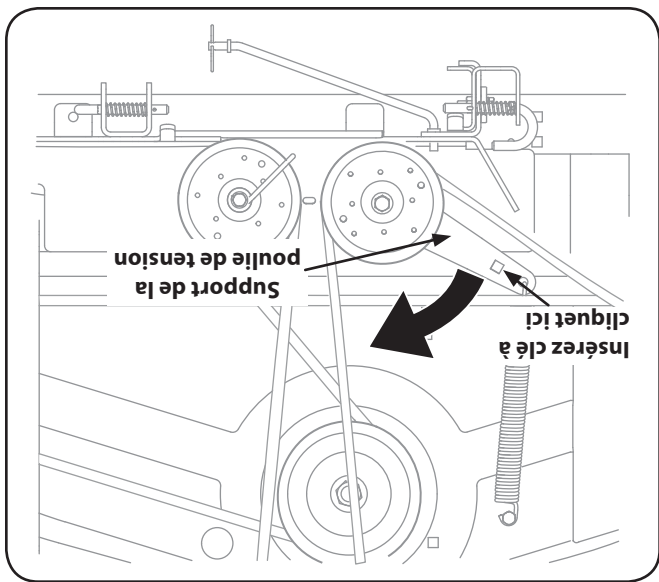


Figure 7-2

5. Placez-vous sur la gauche du tracteur et localisez la goupille de support du plateau de coupe sur le côté arrière gauche du plateau de coupe.
6. Sortez la goupille de support du plateau de coupe pour dégager le plateau de la tringle de relèvement. Voir la Figure 7-3.

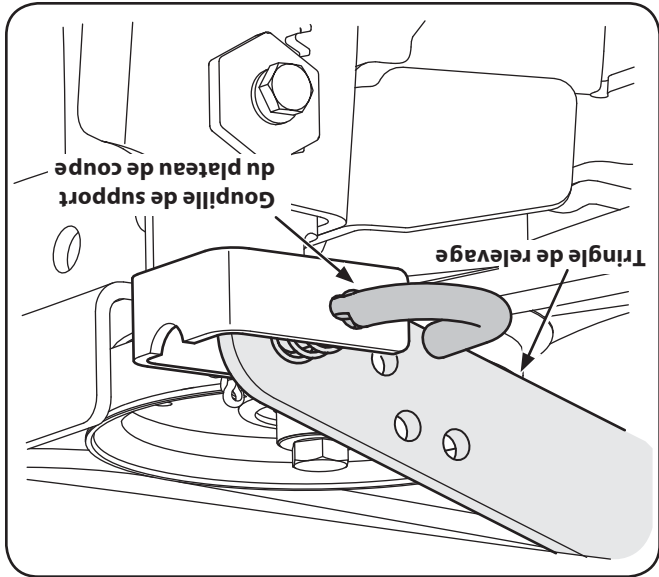


Figure 7-3

7. Répétez ces instructions sur le côté droit du tracteur.
8. Déplacez la manette de relèvement du plateau de coupe dans l'encoche supérieure sur le garde-boue de droite pour lever les tringles de relèvement du plateau et les éloigner.

Réglage latéral

Si le plateau de coupe paraît tondre de manière inégale, il faudra peut-être effectuer un réglage latéral. Procédez comme suit :

1. Stationnez le tracteur sur une surface stable et plane et positionnez la manette de relevage dans l'encoche supérieure (la position la plus haute) et tournez les deux lames pour qu'elles soient perpendiculaires au tracteur.
2. Mesurez la distance entre l'extérieur de la lame gauche et le sol et l'extérieur de la lame droite et le sol. Les deux relevés doivent être égaux. Sinon, passez au paragraphe suivant.
3. Desserrez, sans le retirer, le boulon hex. sur le crochet de support gauche du plateau de coupe. Voir la Figure 6-5.

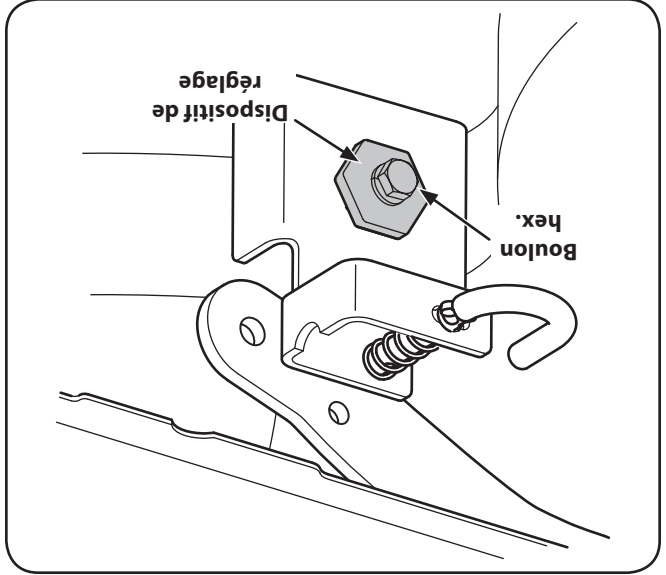


Figure 6-5

4. Utilisez une clé pour relever ou abaisser le côté gauche du plateau de coupe en tournant la roulette de réglage. Voir la Figure 6-5.

Le plateau de coupe est de niveau lorsque les deux relevés effectués précédemment sont égaux. Resserrez le boulon hex. sur le crochet de support gauche du plateau de coupe.

Réglage du frein

Si le tracteur ne s'immobilise pas complètement quand la pédale de frein est enfoncée, ou si les roues arrière du tracteur peuvent tourner alors que le frein de stationnement est serré (et la tige de soupape hydrostatique de dérivation tirée) il faudra ajuster le frein. Adressez-vous à une station technique agréée pour faire ajuster les freins correctement.

Réglage du siège

Pour ajuster la position du siège consultez le chapitre «Montage du tracteur».

AVERTISSEMENT : Avant d'utiliser cette machine, assurez-vous que le siège est bien bloqué dans la butée. Placez-vous derrière la machine et tirez sur le siège jusqu'à ce qu'il soit complètement emboîté dans la butée.



Réglage de la direction

Si le tracteur tourne plus serré d'un côté que de l'autre, ou si les joints à rotule doivent être remplacés parce qu'ils sont usés ou endommagés, il faudra peut-être ajuster les tiges d'entraînement de la direction.

Ajustez les tiges d'entraînement de façon que des longueurs égales soient vissées dans le joint à rotule de gauche et dans celui de droite :

1. Enlevez l'écrou hex. sur le dessus du joint à rotule. Voir la Figure 6-6.

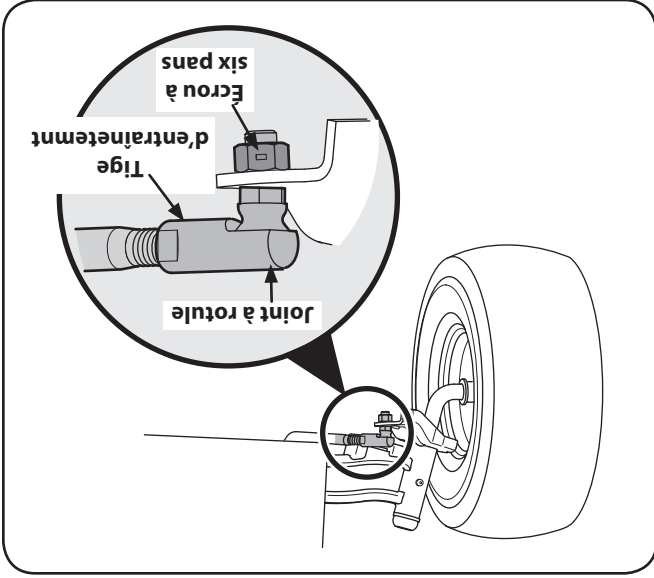


Figure 6-6

2. Vissez le joint à rotule dans le sens des aiguilles d'une montre pour raccourcir la tige d'entraînement. Vissez le joint à rotule dans le sens inverse des aiguilles d'une montre pour allonger la tige d'entraînement.
3. Remettez l'écrou hex en place et resserrez l'écrou de blocage.

REMARQUE: Le fait de trop visser les joints à rotule sur les tiges d'entraînement causera le pincement excessif des roues avant. Le pincement idéal se situe entre 1/16 et 5/16es po.

4. On mesure le pincement des roues avant de la manière suivante : Redressez le volant pour que les roues soient bien droites.
1. Mesurez la distance horizontale, à l'avant de l'essieu, entre l'intérieur de la jante gauche et l'intérieur de la jante droite. Notez la distance.
2. Mesurez la distance horizontale, à l'arrière de l'essieu, entre l'intérieur de la jante gauche et l'intérieur de la jante droite. Notez la distance.
3. Mesurez la distance horizontale, à l'arrière de l'essieu, entre l'intérieur de la jante gauche et l'intérieur de la jante droite. Notez la distance.
4. La mesure relevée à l'avant de l'essieu doit être entre 1/16 et 5/16es po de moins que la mesure à l'arrière de l'essieu.



Réglages

AVERTISSEMENT! Arrêtez le moteur, enlevez la clé d'allumage et serrez le frein de stationnement avant de faire des réglages. Protégez vos mains en utilisant des gants épais en manipulant les lames.

REMARQUE: Vérifiez la pression des pneus du tracteur avant de régler le plateau de coupe. Consultez la partie Pneus à page 28 dans cette notice d'utilisation.

Réglage de l'avant à l'arrière

L'avant du plateau de coupe est soutenu par une barre de stabilisation réglable permettant d'ajuster le plateau d'avant à l'arrière. L'avant du plateau de coupe doit se trouver entre 1/4 et 3/8es de po plus bas que l'arrière. Réglez selon le besoin comme suit:

1. Stationnez le tracteur sur une surface stable et plane et positionnez la manette de relevage du plateau de coupe dans l'encoche supérieure.
2. Tournez la lame la plus proche de la goulotte d'éjection pour qu'elle soit parallèle au tracteur.
3. Mesurez la distance de l'extrémité avant de la lame au sol et l'extrémité arrière de la lame au sol. Le premier relevé doit mesurer de 1/4 à 3/8es de po de moins que le deuxième.

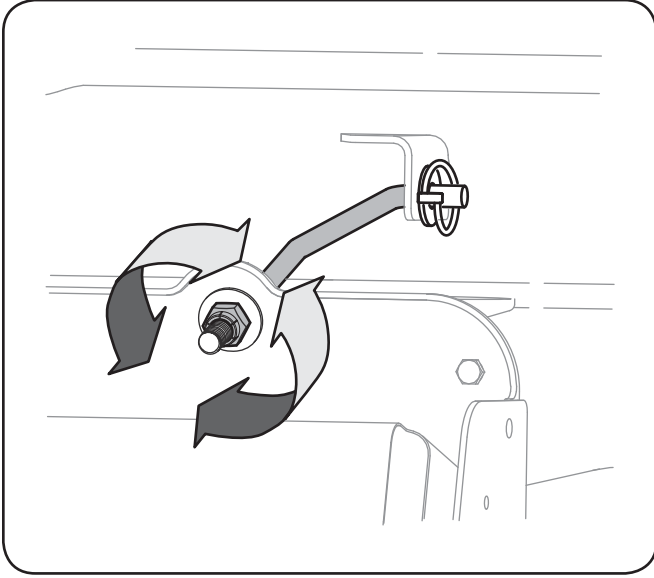


Figure 6-4

1. Desserrez le contre-écrou à six pans qui se trouve sur la tige de suspension du plateau de coupe et éloignez-la de l'écrou à six pans interne. Voir la Figure 6-4.
2. Serrez l'écrou à six pans interne avant contre le support à triangle avant pour relever l'avant du plateau de coupe.
3. Desserrez l'écrou à six pans pour abaisser l'avant du plateau de coupe. Voir la Figure 6-4.
4. Resserrez les deux contre-écrous contre l'écrou à six pans interne quand le réglage voulu est obtenu.

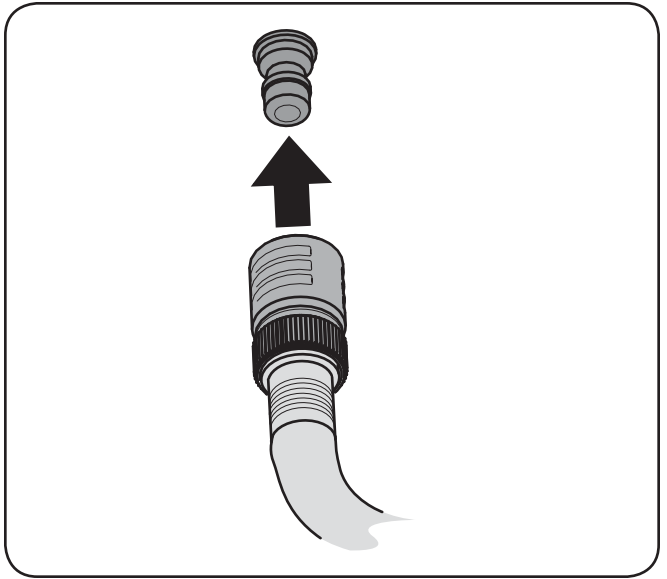
Déterminez la distance approximative nécessaire pour un bon ajustement, puis passez à l'étape suivante si besoin est.

2. Débrayez la prise de force ; forcez le levier de vitesses au point mort ; serrez le frein de stationnement et coupez le moteur.
3. Vissez le raccord pour boyau d'arrosage (fourni avec cette notice d'utilisation) sur l'extrémité du boyau d'arrosage.
4. Attachez le raccord pour boyau d'arrosage à l'orifice aménagé sur la surface du plateau de coupe. Voir la Figure 6-2.
5. Ouvrez le robinet d'eau.
6. Retournez au poste de conduite et remettez le tracteur en marche, puis placez la commande de l'obturateur à la position <<FAST>> (Rapide - Lapsin).
7. Placez la prise de force du tracteur (Embrayage de la lame) à la position « ON ».
8. Restez au poste de conduite pendant un minimum de deux minutes après avoir embrayé le plateau de coupe pour que le dessous du plateau soit rincé à fond.
9. Placez la prise de force du tracteur (Embrayage de la lame) à la position « OFF ».
10. Tournez la clé de contact à la position STOP (Arrêt) pour couper le moteur.
11. Fermez le robinet d'eau et débranchez le raccord du boyau d'arrosage de l'orifice sur la surface du plateau de coupe.
12. Répétez les instructions 4 à 11 pour nettoyer l'autre côté du plateau de coupe.

Après avoir nettoyé le plateau de coupe avec le système Smart Jet MD, retournez à la position de conduite et embrayez la prise de force. Faites fonctionner le plateau de coupe pendant un minimum de deux minutes pour que le dessous du plateau de coupe puisse sécher complètement.

Après avoir nettoyé le plateau de coupe avec le système Smart Jet MD, retournez à la position de conduite et embrayez la prise de force. Faites fonctionner le plateau de coupe pendant un minimum de deux minutes pour que le dessous du plateau de coupe puisse sécher complètement.

Figure 6-2



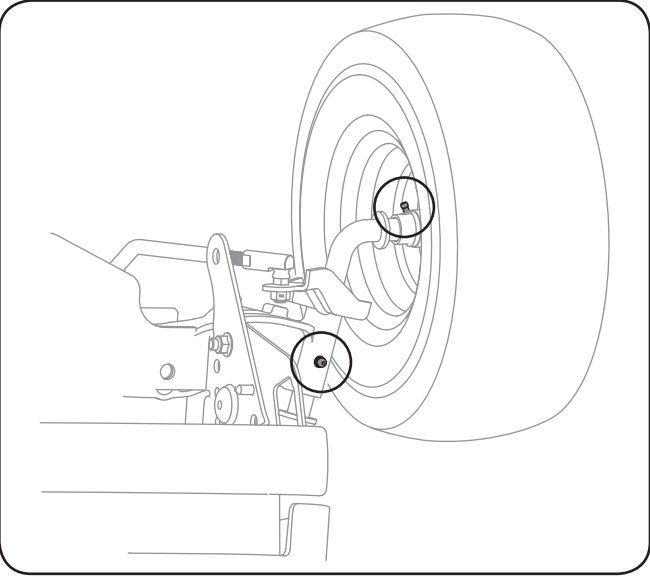
Roues de guidage du plateau de coupe

Chacune des roues de guidage du plateau de coupe comporte un raccord graisseur. Appliquez une graisse tout usage n° 2 avec un pistolet graisseur toutes les 25 heures d'utilisation du tracteur.

Points de pivotement et timonerie

Lubrifiez tous les points de pivot de la transmission, le frein de stationnement et la timonerie de relevage au moins une fois par saison avec une huile légère.

Figure 6-3



Roues avant

Chacune des axes de roue avant et jantes comporte un raccord graisseur. Voir la Figure 6-3. Appliquez une graisse polyvalente n° 2 avec un pistolet graisseur toutes les 25 heures d'utilisation du tracteur.

Lubrification



AVERTISSEMENT: Avant de lubrifier, réparer ou inspecter, débrayez la prise de force, serrez le frein de stationnement, arrêtez le moteur et retirez la clé pour empêcher tout démarrage non intentionnel.



AVERTISSEMENT: Vérifiez que la goulotte d'éjection du tracteur n'est pas dirigée vers un bâtiment, des véhicules, etc.

1. Stationnez votre tracteur sur une surface plane et dégagée, suffisamment proche d'un robinet d'eau pour pouvoir y brancher un boyau d'arrosage.
- Ce bouchon peut être remplacé par un orifice à eau à utiliser avec le système de nettoyage du plateau vendu séparément. Servez-vous du système de nettoyage pour éliminer les brins d'herbe du dessous du plateau de coupe pour empêcher toute accumulation de produits chimiques corrosifs. Procédez comme suit après chaque utilisation:

Smart Jet™

Essayez immédiatement toutes les éclairaboussures d'huile ou d'essence. Ne laissez pas l'herbe, les feuilles et la saleté s'accumuler à proximité des ailettes de refroidissement du moteur, le ventilateur de la transmission ou sur toute autre partie de la machine, particulièrement les courroies et les poulies.

Nettoyage du tracteur

IMPORTANT: Si, pour une raison quelconque, il est nécessaire de démonter la batterie, débranchez toujours le câble NÉGATIF (noir) de la borne négative, puis le câble POSITIF (rouge). Lors du remontage de la batterie, branchez toujours le câble POSITIF (rouge) sur la borne positive, puis le câble NÉGATIF (noir) sur les bornes correspondantes. Leur inversion peut changer la polarité et endommager l'alternateur du moteur.

- Vérifiez que les câbles et bornes de la batterie sont toujours propres et ne sont pas corrodés.
 - Après avoir nettoyé la batterie et les bornes, appliquez une légère couche de vaseline ou de graisse sur les bornes et sur la gaine de la borne positive.
- La batterie est scellée et ne nécessite aucun entretien. Il n'est pas possible de vérifier le niveau de l'acide.

Batterie

La transmission hydrostatique est scellée à l'usine. Le niveau d'huile ne peut être vérifié et il n'est pas possible de vider ni d'ajouter de l'huile.

Transmission hydrostatique

Les bougies doivent être nettoyées une fois par saison et l'écartement des bougies doit être ajusté une fois par an. Consultez la notice d'utilisation du moteur quant au modèle de bougie et à l'écartement.

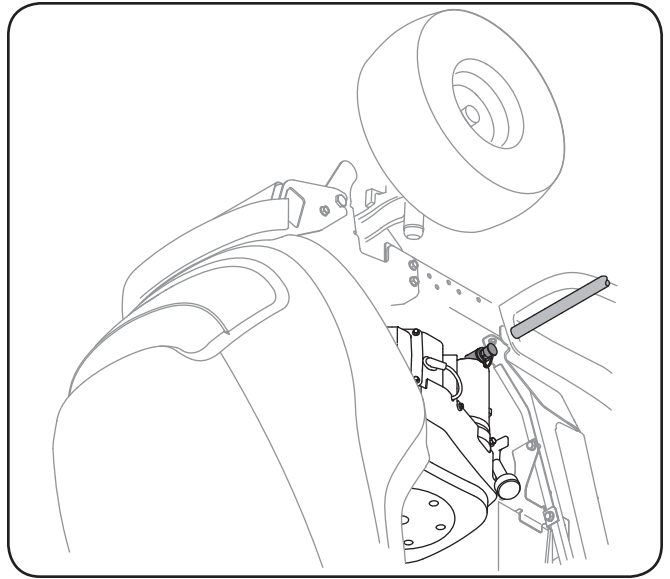
Bougies

Nettoyez le pré-nettoyeur (si équipé), et le cartouche / filtre à air comme instruit dans la notice d'utilisation du moteur emballé avec votre machine.

Filtre à air

3. Assurez l'entretien du filtre à huile selon les instructions qui se trouvent dans la notice d'utilisation du moteur.
4. Faites à nouveau le plein avec une huile propre selon les instructions qui se trouvent dans la notice d'utilisation du moteur.
3. a. Tournez la soupape de vidange de l'huile d'un quart (1/4) de tour, puis tirez pour la dégager pour commencer la vidange. Quand la soupape est terminée, enfoncez de nouveau la soupape dans l'orifice puis faites un quart (1/4) de tour pour la remettre en place. Remplacez le bouchon sur la soupape pour empêcher tout débris de pénétrer dans l'orifice de vidange.
- b. Pincez les attaches de la soupape de vidange d'huile, puis tirez-la pour la dégager pour commencer la vidange. Quand la vidange est terminée, enfoncez de nouveau la soupape dans l'orifice jusqu'à ce que les attaches s'emboîtent bien. Remplacez le bouchon sur la soupape pour empêcher tout débris de pénétrer dans l'orifice de vidange.
6. Le moteur est équipé d'un orifice de vidange à visser ou d'un orifice à attaches. Dans le premier cas, passez au paragraphe a. Dans le second cas, passez au paragraphe b.
5. Enfoncez le tube de vidange de l'huile (fourni avec cette notice d'utilisation) sur l'orifice de vidange de l'huile. Placez l'autre extrémité du tube dans un récipient convenant pour la collecte d'huile, et d'une capacité suffisante d'au moins 2,35 L.
4. Dévissez le bouchon d'huile/jauge à huile du goulot de remplissage.
3. Soulevez le capuchon de protection à l'extrémité de la soupape de vidange de l'huile pour exposer l'orifice de vidange. Voir la Figure 6-1.

Figure 6-1



Avant l'emploi	Toutes les 10 heures	Toutes les 25 heures	Toutes les 50 heures	Toutes les 100 heures	Avant le remisage
Nettoyage des persiennes du capot	✓				✓
Vérification du niveau de l'huile à moteur	✓				
Vérification de la prise d'air et nettoyage éventuelle					
Nettoyage et lubrification éventuelle de la cartouche en mousse du filtre à air		✓			
Remplacement du filtre à air				✓	
Vidange de l'huile à moteur et du filtre à huile				✓	
Nettoyage des bornes de la batterie	✓				
Lubrification d'essieux et jantes avant		✓			✓
Vérification des ailettes de refroidissement du moteur		✓			✓
Lubrification des roues avant du plateau de coupe		✓			✓
Lubrification des fusées du plateau de coupe			✓		✓
Lubrification des pivots des pédales		✓			✓
Vérification des bougies et l'écartement					✓
Remplacez le filtre de carburant					✓

Entretien



AVERTISSEMENT : Avant d'effectuer tout réglage ou toute réparation, débrayez la prise de force, serrez le frein de stationnement, arrêtez le moteur et retirez la clé pour empêcher tout démarrage non intentionnel.

Moteur

Consultez la notice d'utilisation du moteur quant aux instructions d'entretien du moteur.

REMARQUE : Les opérations d'entretien, les réparations ou le remplacement des dispositifs de contrôle des gaz d'échappement, qui sont aux frais du propriétaire, peuvent être effectués par tout service technique ou un technicien indépendant. **Toute fois, les réparations sous garantie doivent être exécutées par une station technique agréée.**

Vidange de l'huile à moteur



AVERTISSEMENT! Si le moteur vient de fonctionner, le moteur, le silencieux et les surfaces métalliques voisines seront chaudes et pourront causer des brûlures. Faites très attention de ne pas vous brûler.

REMARQUE : Le filtre à huile doit être remplacé à chaque vidange. Pour effectuer une vidange d'huile, procédez comme suit :

1. Laissez tourner le moteur pendant quelques minutes pour réchauffer l'huile dans le carter. Une huile chaude coule plus facilement et transporte une plus grande quantité de sédiments accumulés au fond du carter. Faites attention de ne pas vous brûler avec de l'huile chaude.
2. Soulevez le capot du tracteur et localisez l'orifice de vidange de l'huile du moteur.

Embrayage de la prise de force

- L'embrayage de la prise de force transfère la puissance nécessaire au plateau de coupe et des autres accessoires (vendus séparément). Procédez comme suit pour embrayer les prise de force.
1. Placez la manette de commande de l'obturateur/volet de départ à la position FAST (Rapide - lapi).
 2. Tirez le bouton de la prise de force (Embrayage de la lame) vers l'avant à la position « ON » (Embrayé).
- Voir la Fig. 5-3.

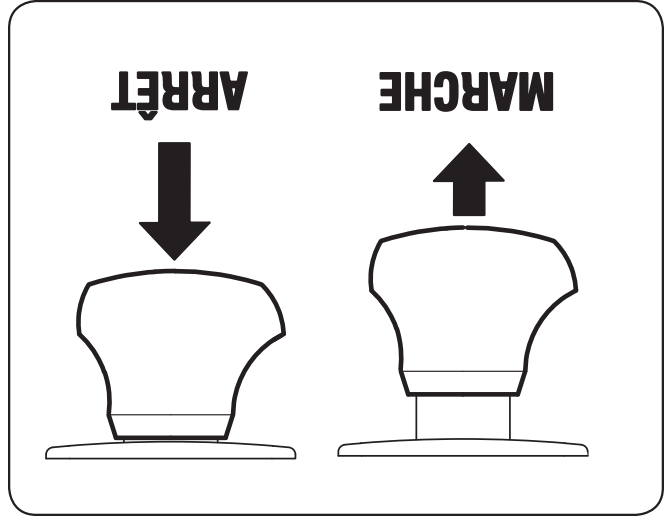


Figure 5-3

REMARQUE : Maintenez la manette de l'obturateur/volet de départ à la position FAST (lapi) pour garantir un fonctionnement efficace du plateau de coupe et des autres accessoires (vendus séparément).

- ### Tonte de l'herbe
- AVERTISSEMENT:** Pour aider à éviter le contact avec les lames ou les blessures provoqués par les objets projetés, gardez les spectateurs, les animaux de compagnie et les enfants à une distance d'au moins 75 pieds de la machine quand elle est en marche. Arrêtez la machine si quelqu'un s'approche la zone de travail.
- Les renseignements suivants seront utiles lors de l'emploi du plateau de coupe avec le tracteur.
- AVERTISSEMENT:** Prévoyez de travailler en évitant de projeter l'herbe vers des rues, des trottoirs, des spectateurs, etc. Évitez d'éjecter l'herbe en direction d'un mur ou d'un obstacle. De cette façon, les débris éventuels ne risquent pas de ricocher et de blesser quelqu'un.
- Ne tondez pas en vous déplaçant rapidement, surtout si un ensemble de déchiquetage ou un collecteur d'herbe est installé.
 - Ne tondez pas l'herbe trop court. Les mauvaises herbes pousseraient plus vite et le gazon risque de jaunir plus rapidement pendant les périodes sèches.
 - Maintenez la manette de l'obturateur/du volant à la position FAST (lapi) pour garantir un fonctionnement efficace du plateau de coupe.
 - Vous obtiendrez de meilleurs résultats en dirigeant l'herbe coupée lors des deux premiers passages vers le centre de la zone de travail. Par la suite, changez de direction pour évacuer l'herbe coupée vers l'extérieur. Votre pelouse aura ainsi une meilleure apparence.
 - N'essayez pas de tondre les broussailles, les mauvaises herbes ou de l'herbe extrêmement haute. Cette tracteur est conçu pour l'entretien normal de pelouses résidentielles.
 - Utilisez toujours des lames bien affûtées et remplacez-les si elles sont usées.

Une fois que vous avez accompli la 3^e étape, le pédale de frein devrait rester dans la position basse. Sinon, le frein de stationnement n'est pas engagé. Répétez les étapes 1 à 4 pour engager le frein de stationnement.

Pour desserrer le frein de stationnement, appuyez légèrement sur la pédale de frein.

AVERTISSEMENT : Ne laissez jamais une machine en marche sans surveillance. Débranchez toujours la prise de force, serrez le frein de stationnement, arrêtez le moteur et retirez la clé pour empêcher tout démarrage non intentionnel.



Régulateur de vitesse



AVERTISSEMENT : N'enclenchez jamais le régulateur de vitesse tout en déplaçant le tracteur en marche-arrière.

1. Appuyez à fond sur la pédale d'accélérateur et tenez-la en cette position.

2. Enfoncez le levier de frein de stationnement/régulateur de vitesse à fond et tenez-la en cette position.

3. Retirez votre pied de la pédale d'accélérateur.

4. Relâchez le levier de frein de stationnement/régulateur de vitesse.

Une fois que vous avez accompli l'étape 3, le pédale d'accélérateur devrait rester dans la position basse et le tracteur restera à la même vitesse de marche avant. Sinon, le régulateur de vitesse n'est pas engagé. Répétez les étapes 1 à 4 pour engager le régulateur de vitesse.

Appuyez sur la pédale de frein ou sur la pédale d'accélérateur pour débrayer le régulateur de vitesse.

NOTE: Le régulateur de vitesse ne peut PAS être enclenché à la vitesse de déplacement du tracteur la plus rapide. Si

le conducteur essaie de l'enclencher, le tracteur ralentit

automatiquement à la vitesse de travail optimale.

Pour passer en marche arrière en utilisant le régulateur de vitesse en marche avant, appuyez sur la pédale de frein pour débrayer le régulateur de vitesse et pour immobiliser le tracteur. Placez le sélecteur de vitesse en MARCHÉ ARRIÈRE et enfoncez la pédale d'accélérateur.

Utilisation de la manette de relavage

Pour relever le plateau de coupe, déplacez la manette de relavage vers la gauche, puis positionnez-la dans l'encoche correspondant à l'emploi voulu.

Phares

Les phares sont ALLUMÉS quand la clé de contact quitte la position « Stop » (Arrêt). Les phares s'éteignent quand la clé revient à la position « Stop » (Arrêt).

5. Regardez toujours derrière vous et au niveau du sol avant de faire marche arrière et en reculant pour vous assurer qu'aucun enfant n'est à proximité. Remplacez la clé à la position « Normal Mowing » (Tonte normale) pour repartir en marche avant.

Le mode « Reverse Caution Mode » (Marche arrière) reste embrayé jusqu'à ce que :

- la clé soit replacée à la position « Normal Mowing » (Tonte normale) ou à la position « Stop » (Arrêt).
- le conducteur quitte le poste de conduite.

Conduite sur pente

Utilisez l'INCLINOMÈTRE à la page 8 pour déterminer si vous pouvez travailler en tout sécurité sur une pente.

AVERTISSEMENT: Ne conduisez pas sur des pentes de plus de 15 degrés (soit une élévation de 2 1/2 pieds environ par 10 pieds). Le tracteur risquerait de se retourner et de vous blesser grièvement.



• Travaillez parallèlement à la pente, jamais perpendiculairement.

• Faites très attention en changeant de direction.

• Faites attention aux trous, ornières, bosses, rochers ou autres obstacles cachés. Un terrain irrégulier peut causer

le renversement de la machine. L'herbe haute risque de

cachier des obstacles.

• Évitez de tourner sur une pente. S'il est essentiel de tourner,

virez dans le sens de la pente descendante. Le fait de

tourner sur une pente accroît les risques de renversement.

• Ne vous arrêtez pas sur une pente. Si un arrêt est toutefois

nécessaire, procédez en douceur et démarrez lentement

pour réduire au maximum les risques de renversement du

tracteur.

Frein de stationnement/Régulateur de vitesse

REMARQUE: La même manette permet de serrer le frein de

stationnement et de régler le régulateur de vitesse. Si vous

appuyez sur la pédale de frein en même temps que la manette

du frein de stationnement/du régulateur de vitesse, vous

enclenchez le frein de stationnement. Si vous appuyez sur la

pédale d'accélérateur en même temps que la manette du frein de

stationnement/du régulateur de vitesse, le régulateur de vitesse

s'enclenchera.

Frein de stationnement

REMARQUE : Le frein de stationnement doit être serré quand le

conducteur quitte son siège alors que le moteur tourne, sinon le

moteur s'arrêtera automatiquement.

1. Appuyez à fond sur la pédale de frein et tenez-la en cette

position.

2. Enfoncez le levier de frein de stationnement/régulateur de

vitesse à fond et tenez-la en cette position.

3. Retirez votre pied de la pédale de frein.

4. Relâchez le levier de frein de stationnement/régulateur de

vitesse.

Conduite du tracteur

AVERTISSEMENT: Évitez les démarrages brusques, toute vitesse excessive et les arrêts soudains.

1. Appuyez légèrement sur la pédale de frein pour desserrer le frein de stationnement. Placez la manette de l'obturateur à la position RAPIDE (lapin).
2. Pour vous déplacer en MARCHÉ AVANT, appuyez lentement sur la pédale d'accélérateur jusqu'à l'obtention de la vitesse désirée. Voir la Figure 5-1.
3. Pour vous déplacer en MARCHÉ ARRIÈRE, assurez-vous qu'il n'y a pas d'obstruction derrière vous, puis appuyez lentement sur la pédale de marche arrière avec la plante de votre pied (et pas votre talon) jusqu'à l'obtention de la vitesse désirée. Voir la Figure 5-1.

AVERTISSEMENT: N'essayez pas de passer de marche avant en marche arrière, et vice versa, pendant que le tracteur est en mouvement. Arrêtez toujours complètement le tracteur avant de changer de direction.

AVERTISSEMENT: Ne quittez pas le poste de conduite sans avoir d'abord placé la manette de la prise de force à la position OFF (non enclenchée), enfoncez la pédale de frein et serrez le frein de stationnement. Si vous laissez le tracteur sans surveillance, pensez à retirer la clé.

Tracteurs équipés d'une direction assistée

Ne forcez pas le volant pour le tourner à fond vers la droite ou la gauche. Quand le volant atteint son rayon de braquage maximum, laissez-le revenir légèrement et évitez de le maintenir contre les butées.

Remarque: Le fait d'utiliser la direction assistée sur une surface goudronnée quand le moteur tourne et que le tracteur est immobile peut causer des vibrations dans les roues avant. Ceci est normal et le tracteur fonctionnera normalement pendant la tonte.

Marche arrière-prudence (le cas échéant)

La position « Reverse Caution Mode » (Marche arrière - Prudence) du module du commutateur d'allumage permet d'utiliser le tracteur en marche arrière quand les lames (prise de force) sont embrayées.

NOTE: Tondre l'herbe en marche arrière n'est pas recommandé.

AVERTISSEMENT: Soyez très prudent si vous utilisez le tracteur en mode « Reverse Caution Mode » (Marche arrière - Prudence). Regardez toujours derrière vous et au niveau du sol avant de faire marche arrière et en reculant. N'utilisez pas le tracteur si des enfants ou autres spectateurs sont à proximité. Arrêtez immédiatement le tracteur si quelqu'un s'approche.

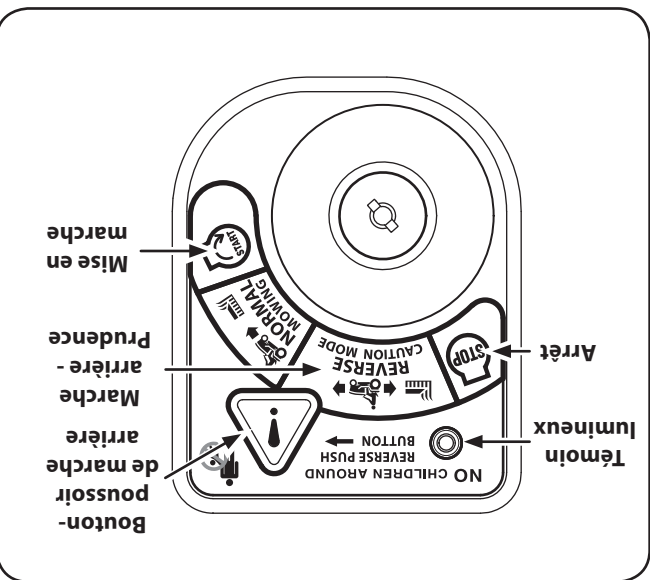
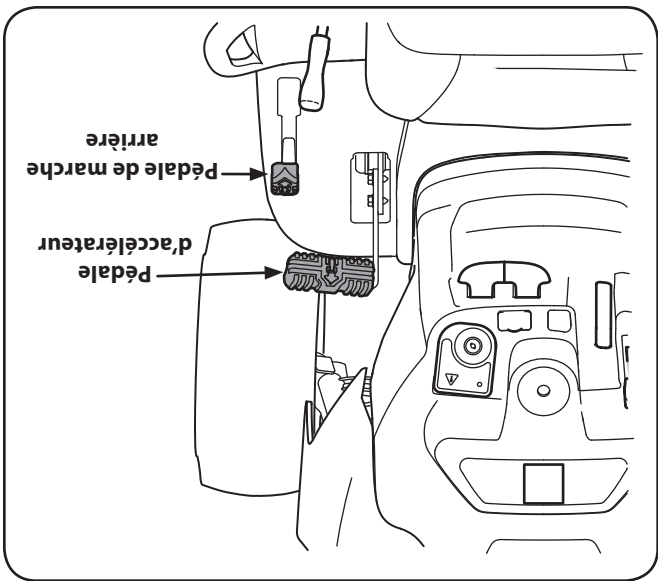


Figure 5-1



1. Mettez le moteur en marche de la manière expliquée dans votre manuel, dans cette notice d'utilisation.
2. Déplacez la clé de la position « NORMAL MOWING » (Verte) (Tonte normale) à la position « REVERSE CAUTION MODE » (Jaune) (Marche arrière - Prudence). Voir la Figure 5-2.
3. Appuyez sur le BOUTON-POUSSOIR DE MARCHÉ ARRIÈRE (Bouton triangulaire orange) dans le coin supérieur droit du module d'allumage. Le témoin lumineux rouge dans le coin supérieur gauche s'allume quand la marche arrière est embrayée. Voir la Figure 5-2.
4. Quand le témoin lumineux est allumé, le tracteur peut être utilisé en marche arrière même si les lames sont embrayées (prise de force).

Figure 5-2

NOTE: Le conducteur DONT occuper le poste de conduite. Pour utiliser le mode « Reverse Caution Mode » (Marche arrière - Prudence) :

AVERTISSEMENT: N'utilisez pas le tracteur si le système de sécurité ne fonctionne pas correctement. Ce système est conçu pour votre sécurité et pour votre protection.



Mise en marche du moteur

AVERTISSEMENT: N'utilisez pas le tracteur si le système de sécurité ne fonctionne pas correctement. Ce système est conçu pour votre sécurité et pour votre protection.



REMARQUE: Consultez le chapitre ASSEMBLAGE ET MONTAGE dans cette notice d'utilisation quant aux instructions concernant les pleins d'essence et d'huile.

1. Insérez la clé du tracteur dans le commutateur d'allumage.
2. Placez la manette, de la prise de force (embrayage de la lame) à la position Off (non enclenchée).
3. Appuyez sur la pédale de frein et serrez le frein de stationnement.
4. Enclenchement du volet de départ.

REMARQUE: Si le moteur est chaud, il peut ne pas être nécessaire de placer le volet de départ à la position de VOLLET PLEIN.

5. Tournez la clé dans le sens des aiguilles d'une montre, jusqu'à la position START (Démarriage). Quand le moteur tourne, lâchez la clé. Elle revient à la position « NORMAL MOWING » (TONTE NORMALE).

AVERTISSEMENT: Ne tenez pas la clé à la position START (Démarriage) pendant plus de 10 secondes, car vous risquez d'endommager le démarreur.



Arrêtez le moteur

AVERTISSEMENT: Arrêter le moteur après avoir bougé un objet qu'accrochez. Cebanchez le fil de la bougie et vérifiez soigneusement que la machine n'est pas endommagée. Réparez les dégâts éventuels avant de remettre la machine en route.



1. Placez la manette de la prise de force (Embrayage de la lame) à la position Off (non enclenchée).
2. Placez la manette de l'obturateur/du volet de départ à la position « SLOW » (Lent)
3. Tournez la clé dans le sens contraire aux aiguilles d'une montre jusqu'à la position Off (Arrêt).
4. Retirez la clé de l'allumage pour empêcher tout démarrage accidentel.

AVERTISSEMENT



ÉVITEZ DES BLESSURES GRAVES OU MORTELLES

- TRAVAILLEZ PARALLÈLEMENT À LA PENTE, JAMAIS PERPENDICULAIREMENT.
- ÉVITEZ DE TOURNER BRUSQUEMENT.
- N'UTILISEZ PAS LE TRACTEUR S'IL RISQUE DE GLISSER OU DE BASCULER.
- SI LA MACHINE S'ARRÊTE EN GRIMPANT UNE PENTE, ARRÊTEZ LES LAMES ET RECULEZ LENTEMENT.
- MAINTENEZ TOUS LES DISPOSITIFS DE SÉCURITÉ EN BON ÉTAT (DISPOSITIFS DE PROTECTION, ÉCRANS ET COMMUTATEURS).
- ENLEVEZ LES OBJETS QUI RISQUENT D'ÊTRE PROJÉTÉS PAR LES LAMES.
- FAMILIARISEZ-VOUS AVEC L'EMPLACEMENT ET LA FONCTION DE TOUTES LES COMMANDES.
- VÉRIFIEZ QUE LES LAMES ET LE MOTEUR SE SONT ARRÊTÉS AVANT D'EN APPROCHER LES MAINS OU LES PIEDS.
- AVANT DE QUITTER LE POSTE DE CONDUITE, DÉBRAYEZ LES LAMES, SERREZ LE FREIN DE STATIONNEMENT, ARRÊTEZ LE MOTEUR ET ENLEVEZ LA CLÉ.

LISEZ LA NOTICE D'UTILISATION.

Ce tracteur est muni d'un système de sécurité conçu pour protéger le conducteur. Si ce système est défectueux, n'utilisez pas le tracteur. Adressez-vous à une station technique agréée dans votre région.

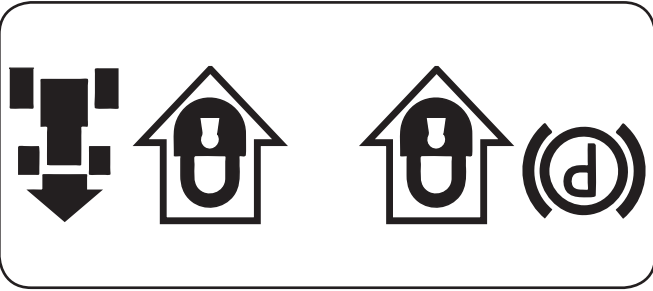
- Ce système de sécurité empêche le moteur de tourner et de démarquer si la pédale de frein n'est pas complètement enfoncée et si la manette de la prise de force (embrayage de la lame) n'est pas à la position non enclenchée (OFF).
- Le système de sécurité arrête automatiquement le moteur si le conducteur quitte son siège avant de serrez le frein de stationnement.
- Le moteur s'arrête automatiquement quand le conducteur quitte le poste de conduite alors que la manette de la prise de force (Embrayage de la lame) se trouve à la position « ON » (Embrayée), que le frein de stationnement soit serré ou non.

- Si la clé de contact se trouve à la position « NORMAL MOWING » (Tonte normale), le moteur s'arrête automatiquement si la manette de la prise de force (Embrayage de la lame) est placée à la position « ON » (Embrayée) alors que le levier de vitesses se trouve à la position de marche arrière.

Indicateur du niveau du carburant
Il se trouve sur la gauche du tableau de bord et indique la quantité de carburant dans le réservoir.



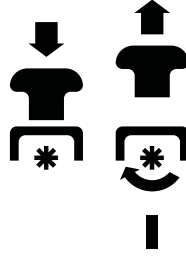
Manette du frein de stationnement/régulateur de vitesse



Bouton de la prise de force électrique (Embrayage de la lame)

Pour enclencher la prise de force avec le plateau de coupe ou tout autre accessoire, tirez sur le bouton de la prise de force. Appuyez sur le bouton pour débrayer la prise de force au plateau de coupe.

REMARQUE: Le bouton de la prise de force (Embrayage de la lame) doit se trouver à la position OFF (non enclenchée) lors de la mise en route du moteur.



Elle se trouve au milieu du tableau de bord, sous le volant et sert à serrer le frein de stationnement et à régler le régulateur de vitesse. Consultez le chapitre « Fonctionnement » de cette notice d'utilisation pour obtenir des renseignements détaillés concernant le frein de stationnement.

REMARQUE: Le frein de stationnement doit être serré quand le conducteur quitte son siège alors que le moteur tourne, sinon le moteur s'arrêtera automatiquement.

REMARQUE: Le régulateur de vitesse ne peut PAS être enclenché à la vitesse de déplacement du tracteur la plus rapide. Si le conducteur essaie de l'enclencher, le tracteur ralentit automatiquement à la vitesse de travail optimale.

AVERTISSEMENT: Ne laissez jamais une machine en marche sans surveillance. Débrayez toujours la prise de force, placez le levier de vitesses au point mort, serrez le frein de stationnement, arrêtez le moteur et retirez la clé pour empêcher tout démarrage non intentionnel.

Filet (en option)
Situé sur le tableau de bord, le filet sert à l'entreposage d'effets personnels pendant l'utilisation du tracteur.



Manette de réglage du siège

La manette de réglage du siège se trouve en-dessous l'avant gauche du siège. La manette permet le réglage vers l'avant et l'arrière du siège du conducteur. Référez-vous au chapitre Montage dans cet manuel pour des instructions concernant le réglage du siège.

Manette de relevage du plateau de coupe

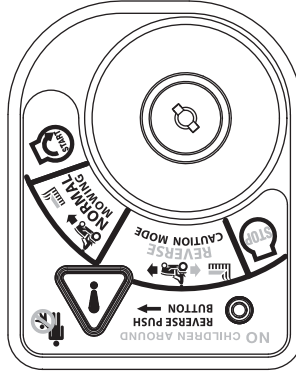


Elle se trouve sur le garde-boue de droite du tracteur et sert à modifier la hauteur du plateau de coupe. Déplacez la manette vers la gauche, puis placez-la dans l'encoche correspondant à la situation.

Module du commutateur d'allumage



AVERTISSEMENT: Ne laissez jamais une machine en marche sans surveillance. Débrayez toujours la prise de force serrez le frein de stationnement, arrêtez le moteur et retirez la clé pour empêcher tout démarrage non intentionnel.



Pour mettre le moteur en marche, enfoncez la clé dans le commutateur d'allumage et tournez-la dans le sens des aiguilles d'une montre jusqu'à la position « START » (Mise en marche). Laissez la clé revenir à la position « NORMAL MOWING MODE » (Tonte normale) quand le moteur tourne normalement.

Pour arrêter le moteur, tournez la clé dans le sens contraire aux aiguilles d'une montre, jusqu'à la position « STOP » (Arrêt).



IMPORTANT: Avant d'utiliser le tracteur, lisez les instructions plus détaillées concernant les « Commutateurs de internes sécurité » et le « Mise en marche du moteur » dans ce chapitre de cette notice d'utilisation. Ces instructions expliquent le module du commutateur d'allumage et l'utilisation du tracteur au mode «Reverse – Cauton Mode» (Marche arrière – Prudence).

Pédale d'accélérateur

Elle se trouve sur le côté droit du tracteur, le long du marchepied. Appuyez sur la pédale d'accélérateur pour faire avancer le tracteur. La vitesse de déplacement est également contrôlée par cette pédale. Plus la pédale pivote vers l'avant, plus le tracteur se déplace rapidement. La pédale reviendra à sa position d'origine dès que vous retirerez votre pied.



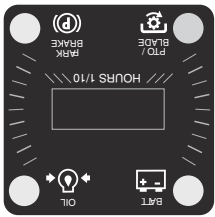
Pédale de marche-arrière



Elle se trouve sur le côté droit du tracteur, le long du marchepied. La vitesse de déplacement est également contrôlée par la pédale de marche-arrière. Plus la pédale pivote vers le bas, plus le tracteur se déplace rapidement. La pédale reviendra à sa position d'origine dès que vous retirerez votre pied.

Système de contrôle/

Compteur d'heures à affichage à cristal liquide



Si la clé n'est plus à la position « STOP » (Arrêt) mais n'est pas à la position « START » (Démarrage), l'indicateur à affichage à cristal liquide du système de contrôle fait apparaître la puissance, en volts, de la batterie, pendant environ cinq secondes. Ensuite, un sablier apparaît et les heures de fonctionnement du tracteur sont affichées.

Une fois que le tracteur est démarré, l'indicateur montre continuellement un sablier et les heures de l'opération de tracteur sur son affichage à cristal liquide.

REMARQUE : Les heures de fonctionnement du tracteur sont enregistrées chaque fois que la clé de contact quitte la position « ARRÊT », que le moteur tourne ou non.

Cet indicateur sert aussi à rappeler au conducteur les intervalles entre les vidanges d'huile. Dans ce cas, l'indicateur clignote entre les heures enregistrées, « CHG » et « OIL » pendant cinq minutes chaque fois que 50 heures d'utilisation sont enregistrées. L'intervalle d'entretien dure deux heures (50 à 52 heures, 100 à 102 heures, 150 à 152 heures, etc.). L'indicateur clignote aussi de la même façon pendant cinq minutes chaque fois que le moteur du tracteur démarre pendant cette période où l'entretien est requis. Avant la fin de la période, changez l'huile du carter selon les instructions fournies dans cette notice d'utilisation.

Frein

Si l'indicateur du frein s'allume au moment du démarrage du tracteur, appuyez sur la pédale de frein.

Prise de force (Embrayage de la lame)

Si l'indicateur du l'indicateur de la prise de force s'allume au moment du démarrage du tracteur, placez le levier de la prise de force (Embrayage de la lame) à la position non enclenchée (OFF).

Huile (le cas échéant)

Il est normal pour que l'indicateur de l'huile s'allume quand le moteur se DÉMARRE. S'il s'allume quand le moteur tourne, arrêtez immédiatement le tracteur et vérifiez le niveau d'huile dans le carter et ajoutez de l'huile au besoin. Consultez votre notice d'utilisation du moteur.

Batterie

Il est normal pour que l'indicateur de la batterie s'allume quand le moteur se DÉMARRE. Si l'indicateur s'allume quand le moteur tourne, il indique que la batterie doit être rechargée OU le système de charge du moteur ne produit pas un ampérage suffisant. Consultez le chapitre ENTRETIEN dans cette notice d'utilisation quant à la méthode correcte de charge de la batterie ou faites vérifier le système de charge par un concessionnaire.

Réglage du siège

Pour régler la position du siège, tirez la manette de réglage du siège vers le haut et tenez-la. Glissez le siège vers l'avant ou l'arrière à la position désirée; puis lâchez la manette de réglage. Assurez-vous que le siège est fixé en place avant de mettre en marche le tracteur. Voir la Figure 3-5.

AVERTISSEMENT: Avant d'utiliser la machine, vérifiez que le siège est bien emboîté dans la butée. Placez-vous derrière le siège et tirez celui-ci jusqu'à ce qu'il s'enclenche complètement dans la butée.

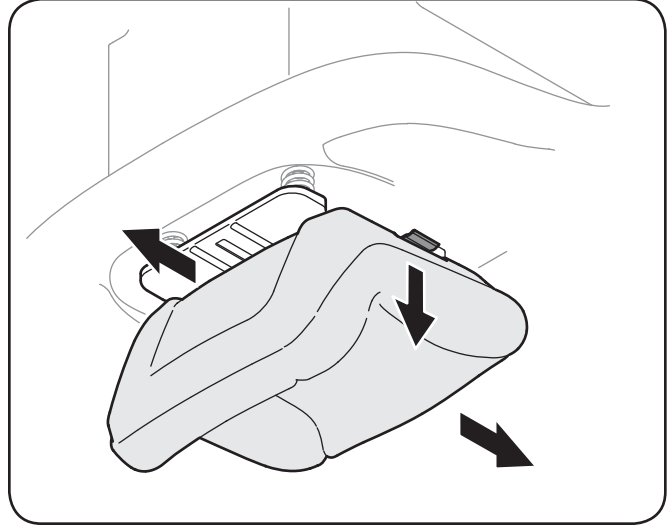


Figure 3-5

Essence et huile

Le réservoir d'essence est placé sous le capot. Tournez le bouchon dans le sens contraire des aiguilles d'une montre pour l'enlever. Utilisez toujours une essence sans plomb propre et fraîche (ne datant pas de plus de 30 jours maximum). Ne faites pas déborder le réservoir.

ATTENTION: ARRÊTEZ de remplir le réservoir quand l'essence apparaît dans le goulot de remplissage. Ceci laisse suffisamment de place pour l'expansion de l'essence. Ne remplissez pas complètement le réservoir. Voir la Figure 3-6.



AVERTISSEMENT: Faites très attention en manipulant de l'essence. Il s'agit d'un produit hautement inflammable et les vapeurs peuvent s'exploser. Ne faites jamais le plein à l'intérieur, quand le moteur est chaud ou pendant qu'il tourne. Éteignez les cigarettes, cigares, pipes ou autres sources de chaleur.

IMPORTANT: Le tracteur est expédié avec une petite quantité d'huile. Il est toutefois recommandé de vérifier le niveau d'huile avant de le mettre en marche. Ne remplissez pas au-dessus du niveau.

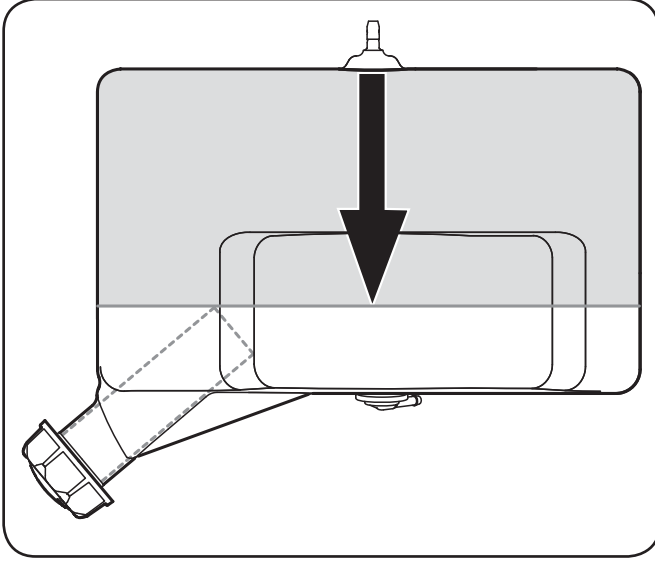


Figure 3-6

Installation des câbles de la batterie.



AVERTISSEMENT : En attachant les câbles de la batterie, branchez toujours le câble POSITIF (rouge) sur la borne positive, puis le câble NÉGATIF (noir).

Pour des raisons d'expédition, les deux câbles de la batterie sur votre équipement ont pu avoir été laissés débranchés des bornes à l'usine. Pour brancher les câbles de la batterie, procédez comme suit :

REMARQUE : La borne positive de la batterie est identifiée par Pos. (+) et la borne négative par Nég. (-).

1. Enlevez le couvercle en plastique, si équipé, de la borne positive de la batterie et attachez le câble rouge à la borne positive de la batterie (+) avec le boulon et l'écrou à six pans. Voir la Figure 3-3.
2. Enlevez le couvercle en plastique, si équipé, de la borne négative de la batterie et attachez le câble noir à la borne négative de la batterie (-) avec le boulon et l'écrou à six pans. Voir la Figure 3-3.
3. Placez la gaine en caoutchouc rouge au-dessus de la borne positive de la batterie pour aider à la protéger contre la corrosion.

corrosion.

REMARQUE : Si la batterie est mise en service après la date indiquée sur le dessus de la batterie, chargez-la selon les instructions dans la chapitre «Entretien» dans cette notice

d'utilisation avant d'utiliser le tracteur.

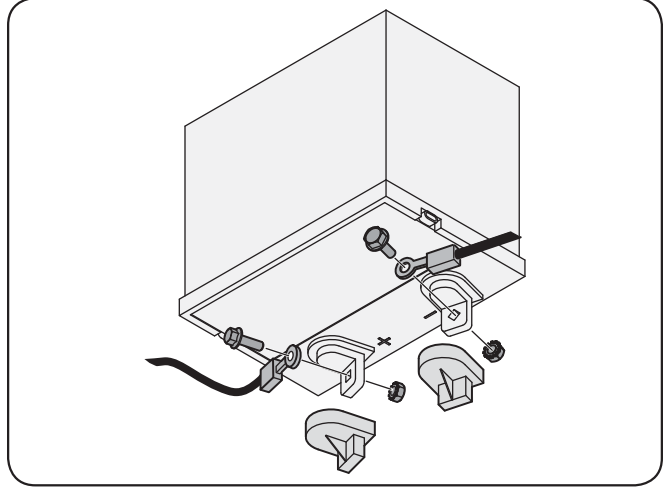


Figure 3-3

Pression des pneus



AVERTISSEMENT : Ne surgonfliez pas les pneus. Vérifiez la pression maximale indiquée sur les flancs des pneus. La pression doit toujours être égale dans tous les pneus.

Les pneus de ce tracteur peuvent avoir été trop gonflés pour l'expédition. Diminuez la pression dans les pneus avant d'utiliser le tracteur. Vérifiez la pression maximale indiquée sur les flancs des pneus.

Réglage des roues de guidage du plateau de coupe

Placez le tracteur sur une surface plane et ferme, de préférence goudronnée, et procédez comme suit :

1. Choisissez la hauteur désirée du plateau de coupe en pliant la manette de relevage du plateau de coupe à la position de travail souhaitée (l'une des six encoches sur l'aile droite).
 2. Vérifiez si les roues de guidage sont en contact avec la surface goudronnée ou si l'écartement est important. Les roues de guidage doivent se trouver de $\frac{1}{4}$ à $\frac{1}{2}$ po au-dessus du sol:
 - a. Placez la manette de relevage du plateau de coupe à la position la plus haute.
 - b. Démontez les roues de guidage avant et arrière (en option) en enlevant les écrous de blocage et les vis à épaulement qui les retiennent sur le plateau de coupe. Voir la Figure 3-4.
 - c. Placez la manette de relevage du plateau de coupe à la hauteur de travail désirée.
 - d. Remettez la vis à épaulement en place (sur chaque roue de guidage) dans le trou indexé qui procure un dégagement de $\frac{1}{2}$ po environ entre la base de la roue de guidage et la surface goudronnée.

Consultez la section Mise à niveau du plateau de coupe dans le chapitre Entretien de cette notice d'utilisation pour obtenir des instructions plus détaillées sur les différents réglages du plateau de coupe.

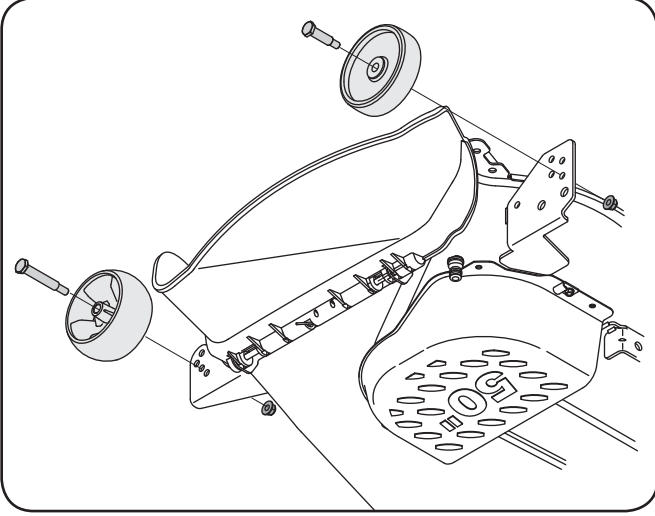


Figure 3-4

REMARQUE : Cette notice d'utilisation présente les caractéristiques de plusieurs modèles. Les caractéristiques mentionnées et/ou représentées dans cette notice ne s'appliquent pas nécessairement à tous les modèles.

Montage du tracteur

Déplacement manuel du tracteur

La transmission de votre tracteur est équipée d'une soupape hydrostatique de dérivation, utile quand il est nécessaire de déplacer le tracteur manuellement.

L'ouverture de cette soupape oblige le fluide de la transmission à dévier de son parcours normal, ce qui permet aux roues arrière de tourner librement. Pour ouvrir la soupape hydrostatique, procédez comme suit :

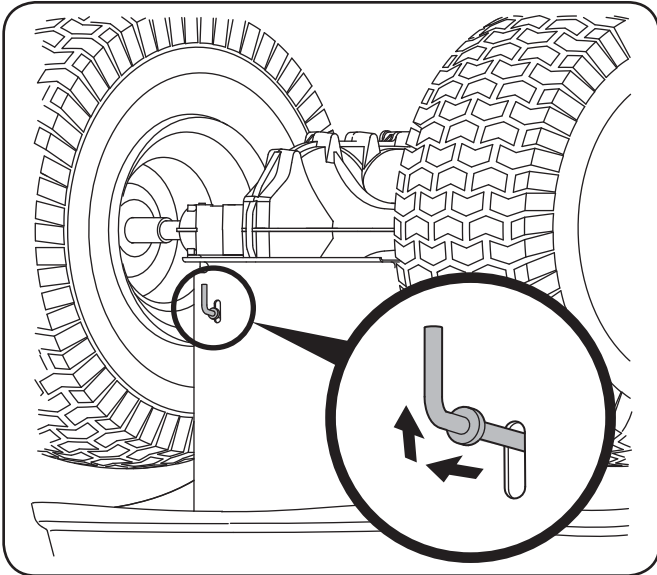


Figure 3-1

1. Repérez la tige de la soupape hydrostatique de dérivation sur l'arrière du tracteur. Voir la Figure 3-1.
2. Tirez sur la tige de la soupape, puis relevez-la pour la bloquer.

REMARQUE : La transmission ne peut être engagée quand la tige de la soupape hydrostatique de dérivation est tirée. Replacez la tige à sa position normale avant d'utiliser le tracteur.

IMPORTANT : N'essayez jamais de déplacer le tracteur manuellement sans avoir d'abord ouvert la soupape hydrostatique de dérivation. Vous risqueriez d'endommager sérieusement la transmission du tracteur.

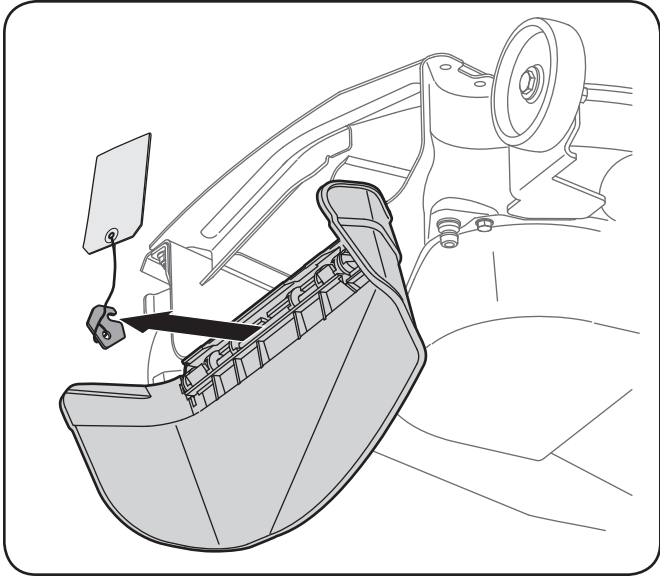


Figure 3-2

Démontage du support de la goulotte

AVERTISSEMENT : Arrêtez le moteur, serrez le frein de stationnement et enlevez la clé avant d'enlever le support de la goulotte d'éjection.

1. Repérez le support de la goulotte d'éjection et son étiquette d'avertissement sur la droite du plateau de coupe. Voir la Figure 3-2.
2. Tenez la goulotte d'éjection de la main gauche et retirez le support de la main droite en le prenant entre le pouce et l'index et tournez dans le sens des aiguilles d'une montre.

AVERTISSEMENT : N'utilisez PAS le tracteur sans avoir au préalable démonté le support de la goulotte d'éjection qui se trouve entre la goulotte d'éjection et le plateau de coupe. Elle ne sert que pour l'expédition.

AVERTISSEMENT : Le plateau de coupe peut lancer des projectiles. Son utilisation sans avoir la goulotte d'éjection correctement installée peut causer des blessures corporelles graves et/ou causer des dégâts à proximité du tracteur.

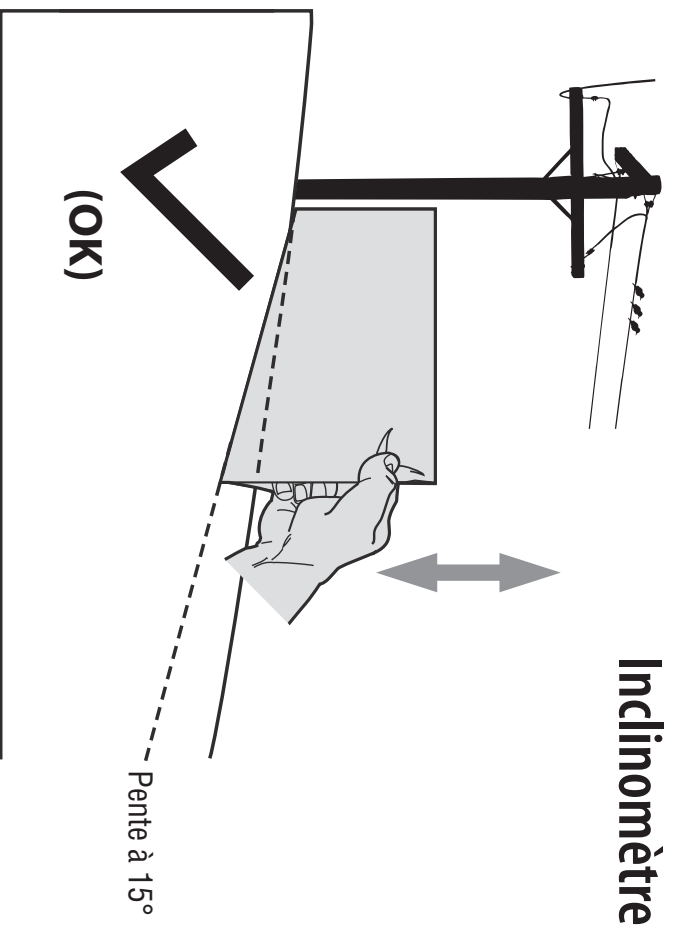


Figure 1

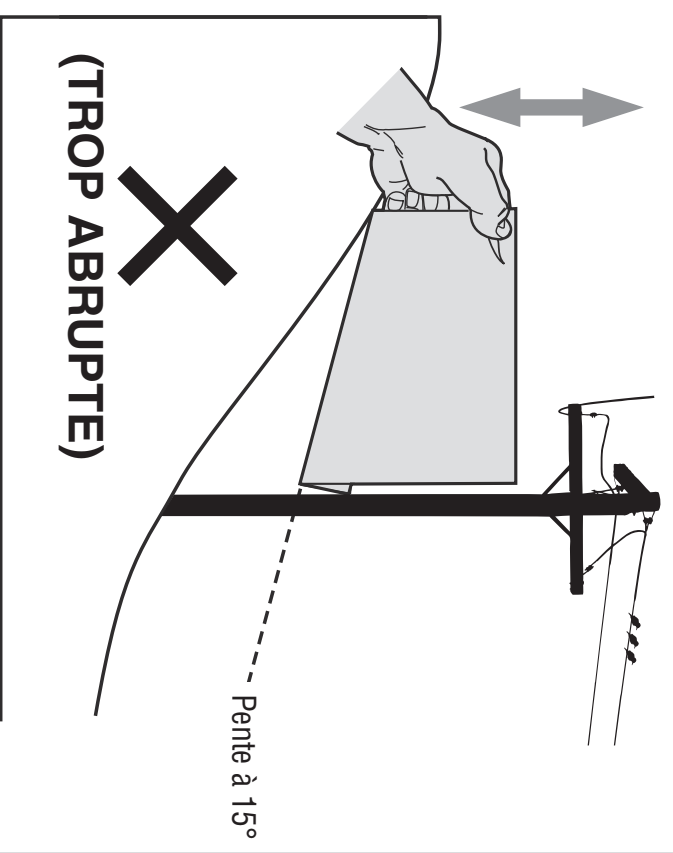


Figure 2

UTILISEZ CET INCLINOMÈTRE POUR DÉTERMINER SI UNE PENTE EST TROP ABRUPTE POUR PERMETTRE L'UTILISATION SANS DANGER DE LA MACHINE.

Procédez comme suit pour vérifier la pente :

1. Détachez cette page et pliez-la en suivant la ligne pointillée.
2. Trouvez un objet vertical sur ou derrière la pente (un poteau téléphonique, une clôture, un arbre, etc.).
3. Alignez un côté de cette page avec l'objet (Voir les Figures 1 et 2).
4. Remontez ou abaissez l'inclinomètre jusqu'à ce que le coin gauche touche la pente (Voir les Figures 1 et 2).
5. S'il y a un espace sous l'inclinomètre, la pente est trop abrupte pour y travailler en toute sécurité. (Voir la Figure 2 ci-dessus).

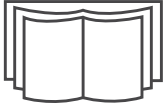




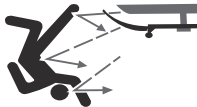






Ligne pointillée à 15°



AVERTISSEMENT: Les accidents provoqués par des chutes et des glissades, qui surviennent souvent sur des pentes, peuvent causer des blessures graves. Ne travaillez pas sur des pentes supérieures à 15 degrés. Travailler sur un terrain en pente demande des précautions supplémentaires. Si vous pouvez pas remonter la pente en reculant ou si vous ne vous y sentez pas à l'aise, n'y travaillez pas. Travaillez toujours parallèlement à la pente, jamais perpendiculairement.

Symboles de sécurité

Cette page illustre et explique les symboles de sécurité qui peuvent se trouver sur cette machine. Veuillez lire et suivre toutes les

Description	Symbole
<p>VEUILLEZ LIRE LA OU LES NOTICES D'UTILISATION. Veuillez lire et suivre toutes les instructions sur la machine et vous assurer de bien les comprendre avant d'essayer d'assembler et d'utiliser la machine.</p>	
<p>DANGER – LAMES EN MOUVEMENT Ne transportez jamais d'enfants, même si les lames ne tournent pas.</p>	
<p>DANGER – LAMES EN MOUVEMENT Regardez toujours derrière vous sur le sol avant de reculer et en reculant pour éviter tout accident.</p>	
<p>AVERTISSEMENT – LAMES EN MOUVEMENT N'approchez pas les mains ni les pieds des pièces en mouvement et ne les placez pas sous le plateau de coupe. Tout contact avec les lames peut amputer les mains ou les pieds.</p>	
<p>AVERTISSEMENT – OBJETS PROJÉTÉS Cette machine peut ramasser et projeter des objets, ce qui peut causer des blessures graves.</p>	
<p>AVERTISSEMENT – OBJETS PROJÉTÉS Cette machine peut ramasser et projeter des objets, ce qui peut causer des blessures graves.</p>	
<p>AVERTISSEMENT – MONOXYDE DE CARBONE Ne faites jamais fonctionner un moteur à l'intérieur ou dans un bâtiment mal ventilé. Les gaz d'échappement contiennent du monoxyde de carbone, un gaz inodore et mortel.</p>	
<p>DANGER – SPECTATEURS Gardez les spectateurs, les animaux de compagnie et les enfants à une distance d'au moins 75 pieds de la machine quand elle est en marche.</p>	
<p>AVERTISSEMENT — INCLINOMÈTRE Ne tondez pas sur des pentes supérieures à 15°.</p>	
<p>AVERTISSEMENT – SURFACE CHAUDE Les pièces du moteur, en particulier le silencieux, ont tendance à chauffer pendant le fonctionnement de la machine. Laissez le moteur et le silencieux refroidir avant de les toucher.</p>	
<p>DANGER – LAMES EN MOUVEMENT Pour éviter les risques de blessures, n'approchez jamais les mains ni les pieds des pièces en mouvement. N'utilisez pas la machine si le déflecteur de la goulotte ou si le sac à herbe n'est pas en place. S'ils sont endommagés, remplacez-les immédiatement.</p>	
<p>AVERTISSEMENT - REMORQUAGE Évitez toute mise en portefeuille lors d'un remorquage. Roulez lentement et ne tournez pas abruptement.</p>	

CONSERVEZ CES INSTRUCTIONS!

AVERTISSEMENT: Votre responsabilité. Cette machine ne doit être utilisée que par des personnes qui peuvent lire, comprendre et respecter les avertissements et instructions qui figurent dans cette notice et sur la machine

1. Ne faites jamais fonctionner la machine dans un local clos car les gaz d'échappement du moteur contiennent du monoxyde de carbone, un gaz inodore très dangereux.
2. Avant de nettoyer, de réparer ou d'examiner la machine, vérifiez que les lames et toutes les pièces mobiles se sont immobilisées. Débranchez le fil de la bougie et mettez-le à la terre contre le moteur pour empêcher tout démarrage accidentel.
3. Vérifiez régulièrement que les lames s'immobilisent dans les 5 secondes qui suivent l'utilisation de la commande de débrayage des lames. Si elles ne s'arrêtent pas dans ce délai, faites examiner la machine par une station technique agréée.
4. Vérifiez souvent que les freins fonctionnent bien car ils peuvent s'user dans des conditions d'utilisation normales. Réglez-les selon le besoin.
5. Vérifiez souvent que les lames et les boulons de montage du moteur sont bien serrés. Examinez visuellement fendillement. Remplacez-les par des lames authentiques uniquement. «L'emploi de pièces non conformes aux caractéristiques de l'équipement d'origine peut causer des performances inférieures et réduire la sécurité.»
6. Les lames sont coupantes et peuvent causer des blessures graves. Enveloppez les lames avec un chiffon ou portez des gants et faites très attention en les manipulant.
7. Assurez-vous que tous les écrous, boulons et vis sont bien serrés pour que l'équipement soit toujours en bon état de marche.
8. Ne modifiez jamais les dispositifs de sécurité. Vérifiez souvent qu'ils fonctionnent bien.
9. Si vous heurtez un objet, arrêtez immédiatement le moteur, débranchez le fil de la bougie et examinez soigneusement la machine. Réparez les dégâts éventuels avant de remettre la machine en marche.
10. N'essayez jamais de faire des réglages ou des réparations quand le moteur tourne.
11. Les éléments du sac à herbe et le clapet de la goulotte d'éjection peuvent s'user et être endommagés et, par conséquent, exposer les pièces mobiles ou causer la projection de débris. Par mesure de sécurité, vérifiez souvent les éléments et remplacez-les immédiatement avec des pièces authentiques seulement. «L'emploi de pièces non conformes aux caractéristiques inférieures et d'origine peut causer des performances inférieures et réduire la sécurité.»

Entretien général

m. Laissez la machine refroidir pendant au moins 5 minutes avant de la remettre.

12. Ne modifiez pas le réglage du régulateur et ne laissez pas le moteur s'emballer. Le régulateur maintient le moteur à son régime maximal de fonctionnement sans danger.
13. Prenez soin des étiquettes d'instructions et remplacez-les au besoin.
14. Respectez les règlements concernant l'élimination des déchets et liquides qui risquent de nuire à la nature et à l'environnement.
15. D'après la Consumer Products Safety Commission (CPSC - Commission sur la sécurité des produits de consommation) et la "U.S. Environmental Protection Agency" (EPA - Agence américaine de protection de l'environnement), ce produit a une durée de vie utile moyenne de sept (7) ans, ou 270 heures de fonctionnement. Au terme de cette durée de vie utile moyenne, achetez une machine neuve ou faites inspecter la machine chaque année par une station technique agréée pour vous assurer que tous les dispositifs mécaniques et de sécurité sont en bon état de marche et ne sont pas usés de façon excessive. Le non-respect de ces recommandations peut causer des accidents et des blessures graves ou mortelles.

Pare-étincelles

AVERTISSEMENT : Cette machine est équipée d'un moteur à combustion interne et elle ne doit pas être utilisée sur un terrain non entretenu, recouvert de broussailles ou d'herbe si le système d'échappement du moteur n'est pas muni d'un pare-étincelles, conformément aux lois et règlements provinciaux ou locaux (le cas échéant).

Si un pare-étincelles est utilisé, il doit être maintenu en bon état de marche par l'utilisateur de la machine. La station technique agréée la plus proche peut vous fournir un pare-étincelles pour le pot d'échappement de cette machine.

Ne modifiez pas le moteur.

Pour éviter toute blessure grave ou fatale, ne modifiez pas du tout le moteur. Toute modification du réglage du régulateur peut provoquer l'emballement du moteur et entraîner son fonctionnement à des vitesses dangereuses. Ne modifiez jamais le réglage de l'usine du régulateur.

AVIS concernant les émissions de gaz

Les moteurs certifiés conformes aux normes régulatrices de la Californie et de l'agence EPA fédérales pour SOHC (petit équipement hors route) sont certifiés pour fonctionner avec de l'essence sans plomb ordinaire et peuvent être dotés des

Enfant

1. Un accident grave risque de se produire si le conducteur n'est pas toujours très vigilant en présence d'enfants. Les enfants sont souvent attirés par une machine et la tonte de l'herbe, ils ne se rendent pas compte des dangers. Ne supposez jamais qu'ils vont rester là où vous les avez vus. Éloignez les enfants de la zone de travail et placez-les sous la surveillance d'un adulte autre que le conducteur de la machine.

b. Restez vigilant et arrêtez la machine si des enfants s'approchent de la zone de travail.

c. Regardez toujours derrière vous et par terre avant de reculer et en reculant.

d. Ne transportez jamais d'enfants, même si les lames ne tournent pas. Ils risquent de tomber et d'être grièvement blessés ou de gêner le fonctionnement sécuritaire de la machine.

e. Faites très attention en vous approchant d'angles morts, de buissons, de portails, d'arbres et d'autres objets qui peuvent vous empêcher de voir un enfant. Pour éliminer tout risque d'accident en marche arrière, débrazez toujours la ou les lames avant d'enclencher la marche arrière. N'utilisez pas la mode «Reverse Caution Mode» (Marche arrière - Prudence) si des enfants ou autres personnes se trouvent à proximité.

g. Ne laissez pas des enfants s'approcher d'un moteur chaud ou en marche. Ils risquent de se brûler.

h. Retirez la clé de contact quand la machine n'est pas surveillée pour empêcher son utilisation non autorisée.

2. Ne permettez jamais à des enfants de moins de 14 ans d'utiliser la machine. Des enfants plus âgés doivent lire et comprendre le mode d'emploi de la machine et les consignes de sécurité. Ils doivent apprendre à utiliser la machine et s'en servir sous la surveillance étroite d'un adulte.

Remorquage

1. Ne remorquez qu'avec une machine équipée d'un attelage de remorquage. N'accrochez pas l'équipement remorqué ailleurs qu'au point d'attelage.

2. Respectez les recommandations du fabricant quant aux limites de poids de l'équipement remorqué et au remorquage sur pente.

3. Ne transportez jamais quiconque sur l'équipement remorqué.

4. Le poids de l'équipement remorqué peut entraîner la perte de traction et par conséquent de contrôle du tracteur sur des pentes.

5. Faites toujours très attention en remorquant une machine pouvant prendre des virages serrés (par ex. une tondeuse

Entretien**Manipulation de l'essence:**

7. Ne passez pas au point mort pour descendre une pente. Avancez lentement et prévoyez une distance supplémentaire pour vous arrêter.

8. Pour éviter toute blessure ou dégât matériel, faites très attention en manipulant de l'essence. Il s'agit d'un produit extrêmement inflammable et les vapeurs risquent d'exploser. Vous pouvez être grièvement blessés si des éclaboussures sur votre peau ou sur vos vêtements s'enflamment. Rincez votre peau et changez immédiatement de vêtements.

a. Remissez le carburant dans des bidons homologués seulement.

b. Ne faites jamais le plein dans un véhicule, ni à l'arrière d'une camionnette dont le plancher est recouvert d'un revêtement en plastique. Placez toujours les bidons par terre et loin de votre véhicule avant de les remplir.

c. Dans le mesure du possible, déchargez l'équipement motorisé de la remorque et faites le plein par terre. Si cela n'est pas possible, faites le plein avec un bidon plutôt que directement de la pompe à essence.

d. Maintenez le gicleur en contact avec le bord du réservoir d'essence ou avec l'ouverture du bidon jusqu'à ce que le plein soit terminé. N'utilisez pas un gicleur équipé d'un dispositif de blocage en position ouverte.

e. Éteignez toute cigarette ou pipe, tout cigare ou toute autre chaleur incandescente.

f. Ne faites jamais le plein à l'intérieur.

g. N'enlevez jamais le capuchon d'essence et n'ajoutez pas d'essence pendant que le moteur tourne ou s'il est chaud. Laissez le moteur refroidir pendant au moins deux minutes avant de faire le plein.

h. Ne faites jamais déborder le réservoir. Laissez un espace d'un demi-pouce environ pour permettre l'expansion du carburant.

i. Resserrez bien le capuchon d'essence.

j. En cas de débordement, essuyez toute éclaboussure de carburant ou d'huile et enlevez tous les débris imbibés d'essence. Déplacez la machine à une autre endroit. Attendez 5 (cinq) minutes avant de mettre en marche le moteur. Limitez les risques d'incendie en débarrassant le moteur des brins d'herbe, feuilles et autres saletés. Essayez les éclaboussures de carburant ou d'huile et enlevez tous les débris imbibés d'essence.

k. Ne remisez jamais la machine ou les bidons d'essence à l'intérieur s'il y a une flamme, une étincelle (chauffe-eau à gaz, radiateur, sèche-linge, etc.).

14. Faites attention à la circulation à proximité d'une route. Cette machine ne doit pas être utilisée sur un chemin public.
15. Ne vous servez pas de la machine après avoir bu des boissons alcoolisées ou pris de médicaments.
16. Travaillez en plein jour ou avec un éclairage artificiel satisfaisant.
17. Ne transportez JAMAIS de passagers.
18. Débrayez les lames avant de passer en marche arrière. Reculez lentement. Regardez toujours derrière vous avant de reculer et en reculant.
19. Ralentissez avant de tourner. Conduisez sans à-coups. Évitez une conduite saccadée et n'allez pas trop vite.
20. Débrayez les lames, serrez le frein de stationnement, arrêtez le moteur et attendez que les lames se soient immobilisées avant de retirer le sac à herbe ou de déboucher la goulotte, d'enlever de l'herbe ou des débris ou de faire un réglage quelconque.
21. Ne laissez jamais une machine non surveillée. Débrayez toujours les lames, mettez le levier de vitesses au point mort, serrez le frein de stationnement, arrêtez le moteur et enlevez la clé avant de quitter la machine.
22. Faites très attention en chargeant ou en déchargeant la machine d'une remorque ou d'un camion. Ne conduisez pas la machine sur un plan incliné pour la charger dans une remorque car elle peut basculer et causer des blessures graves. Poussez la machine à la main pour la charger ou la décharger.
23. Le silencieux et le moteur ont tendance à chauffer et risquent de causer des brûlures. Ne les touchez pas.
24. Vérifiez le dégagement vertical avant de passer sous des branches basses, des fils électriques, un portail ou dans toute autre situation où le conducteur risque d'être frappé et projeté de la machine et de se blesser grièvement.
25. Débrayez tous les embrayages des accessoires, appuyez à fond sur la pédale de frein et passez au point mort avant d'essayer de mettre le moteur en marche.
26. Ce machine a été conçu pour tondre un gazon résidentiel normal ne mesurant pas plus de 10 po de haut. N'essayez pas de tondre de l'herbe très haute, de l'herbe sèche (dans un pré par exemple) ou une pile de feuilles sèches. Les débris peuvent s'accumuler sous le plateau de coupe ou entrer en contact avec le tuyau d'échappement du moteur, d'où un risque d'incendie.
27. N'utilisez que des accessoires et équipement annexe homologués par le fabricant de la machine. Veuillez lire, bien comprendre et suivre toutes les instructions qui accompagnent l'accessoire ou l'équipement annexe.
28. Les statistiques révèlent que les conducteurs de plus de 60 ans sont impliqués dans un grand nombre d'accidents mettant en cause des tracteurs de jardin. Nous recommandons par conséquent à ces conducteurs d'évaluer sérieusement leur aptitude à utiliser ce genre d'équipement en toute sécurité.
29. Faites toujours preuve de bon sens dans des situations qui n'ont pas été abordées dans cette notice d'utilisation. Adressez-vous au concessionnaire agréé en cas de besoin.
1. Les accidents provoqués par tomber et de glisser, qui se produisent souvent sur des pentes, peuvent causer des blessures graves. Travailler sur un terrain en pente demande des précautions supplémentaires. Si vous ne sentez pas à l'aise sur la pente, n'y travaillez pas.
- Par mesure de sécurité utilisez l'inclinomètre fourni dans la notice d'utilisation pour mesurer la pente du terrain avant de commencer à travailler. Si selon l'inclinomètre, la pente est supérieure à 15°, n'utilisez pas la tondeuse pour éviter toute blessure grave.
- À faire:**
1. Travaillez parallèlement à la pente, jamais perpendiculairement. Faites très attention en changeant de direction sur une pente.
 2. Faites attention aux trous et orniers. La machine peut se retourner sur un terrain accidenté. Des herbes hautes peuvent cacher des obstacles.
 3. Travaillez lentement. Utilisez une vitesse suffisamment lente pour ne pas avoir à vous arrêter ni à changer de vitesse sur la pente. Les pneus risquent de manquer de traction sur une pente, même si les freins fonctionnent correctement. Soyez toujours en vitesse en descendant.
 4. Suivez les recommandations du fabricant quant aux poids des roues ou contrepois à utiliser pour améliorer la stabilité.
 5. Faites très attention en utilisant les sacs à herbe ou autres accessoires. Ils peuvent modifier la stabilité de la machine.
 6. Déplacez-vous lentement et régulièrement sur les pentes. Ne changez pas brusquement de direction ou de vitesse. Un enclenchement rapide ou un coup de frein brusque peut soulever l'avant de la machine et la faire se retourner et causer des blessures graves.
 7. Évitez de démarrer ou de vous arrêter sur une pente. Si les pneus n'adhèrent pas bien, débrayez les lames et descendez lentement la pente en ligne droite.
- À ne pas faire:**
1. Ne tournez pas sur une pente à moins que cela soit nécessaire; tournez alors lentement et progressivement en descendant si possible.
 2. Ne tondez pas près d'une falaise ou d'un talus. Une roue dans le vide ou l'affaîssissement soudain de l'accotement peut renverser la machine.
 3. N'essayez pas de stabiliser la machine en mettant pied à terre.
 4. N'utilisez pas le sac à herbe sur des pentes raides.
 5. Ne coupez pas l'herbe si elle est mouillée. La réduction de traction peut faire dérapier le tracteur.
 6. Ne passez pas au point mort pour descendre une pente. L'excès de vitesse peut causer la perte de contrôle du tracteur et causer des blessures graves.
 7. Ne remorquez pas des accessoires lourds (remorque chargée, rouleau, etc.) sur des pentes supérieures à 5°. Le tracteur et causer des blessures graves.

Utilisation sur une pente



AVERTISSEMENT: Ce symbole attire votre attention sur des consignes de sécurité importantes qui, si elles ne sont pas respectées, peuvent mettre en danger non seulement votre personne et vos biens, mais aussi ceux d'autrui. Prière de lire toutes les instructions figurant dans cette notice d'utilisation avant d'essayer de vous servir de cette machine. Le non-respect de ces instructions peut entraîner des blessures corporelles. RESPECTEZ L'AVERTISSEMENT QUI ACCOMPAGNE CE SYMBOLE!



AVERTISSEMENT: Les gaz d'échappement de ce produit contiennent des produits chimiques reconnus dans l'État de Californie comme causant le cancer, des anomalies congénitales ou d'autres problèmes liés à la reproduction.



AVERTISSEMENT : Les bornes et cosses de batterie et d'autres accessoires annexes contiennent du plomb et des mélanges à base de plomb, soit des produits chimiques reconnus cancérogènes et responsables d'anomalies congénitales ou autres par l'État de Californie. Il est impératif de bien se laver les mains après toute maintenance.



DANGER: Cette machine doit être utilisée conformément aux consignes de sécurité qui figurent dans la notice d'utilisation. Comme avec tout appareil motorisé, une négligence ou une erreur de la part de l'utilisateur peut entraîner des blessures graves. Cette machine peut amputer mains et pieds et projeter des débris. Par conséquent, le non-respect de ces consignes peut causer des blessures corporelles graves et même mortelles.

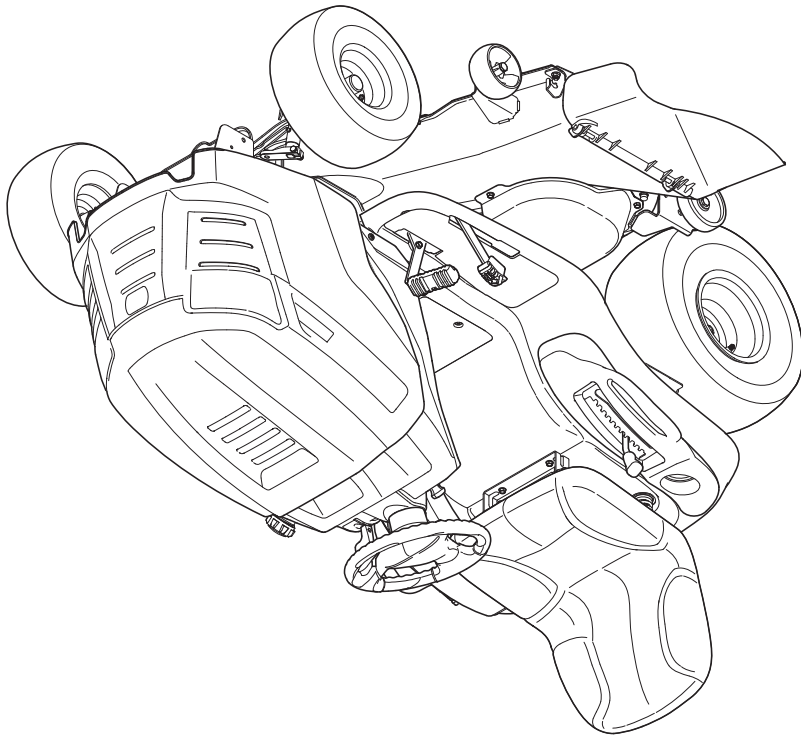
Fonctionnement

Utilisation en général

1. Assurez-vous de lire et de bien comprendre toutes les instructions qui figurent sur la machine et dans la notice d'utilisation avant de l'assembler et de la mettre en marche. Conservez cette notice d'utilisation à un endroit sûr pour toute consultation ultérieure et pour commander des pièces de rechange.
2. Familiarisez-vous avec les commandes et leur fonctionnement avant de vous en servir. Sachez comment arrêter la machine et débayer les commandes rapidement.
3. Ne permettez jamais à des enfants de moins de 14 ans de se servir de la machine. Des enfants plus âgés doivent lire et comprendre le mode d'emploi de la machine et les consignes de sécurité. Un adulte doit leur apprendre à se servir de cette machine et les surveiller.
4. Seuls des adultes responsables connaissant bien le fonctionnement de la machine doivent être autorisés à s'en servir.
5. Gardez les spectateurs, les animaux de compagnie et les enfants à une distance d'au moins 75 pieds de la machine quand elle est en marche. Arrêtez la machine si quelqu'un s'approche.
6. Examinez soigneusement la zone de travail. Ramassez tous les pierres, bâtons, fils métalliques, os, jouets et autres objets qui risquent d'être projetés par les lames. Les objets projetés par la machine peuvent causer des blessures graves.
7. Prévoyez de travailler en évitant de projeter l'herbe vers des rues, des trottoirs, des spectateurs, etc. Évitez d'éjecter l'herbe en direction d'un mur ou d'un obstacle. De cette façon, les débris éventuels ne risquent pas de ricocher et de blesser quelqu'un.
8. Portez toujours des lunettes de sécurité en utilisant la machine ou en effectuant un réglage ou une réparation. Les objets risquent de ricocher et de blesser grièvement quelqueun dans les yeux.
9. Portez des chaussures robustes à semelle épaisse et des vêtements bien ajustés. Ne portez jamais des vêtements lâches ni des bijoux qui risquent de se prendre dans les pièces en mouvement. N'utilisez jamais la machine pieds nus ou en portant des sandales.
10. Vérifiez la direction de la goulotte d'éjection du tracteur et ne l'orientez jamais vers des personnes. N'utilisez jamais le tracteur si le sac à herbe ou le dispositif de protection n'est pas installé.
11. Ne placez jamais vos mains ou vos pieds près d'une pièce en mouvement ou sous le plateau de coupe. Les lames peuvent amputer mains et pieds.
12. L'absence du clapet de la goulotte d'éjection ou un clapet endommagé peut causer des blessures en cas de contact avec les lames ou projeter des objets.
13. Arrêtez les lames avant de traverser une allée recouverte de gravier, un trottoir ou une route et quand vous ne tondez pas.

Cub Cadet®

NOTICE D'UTILISATION



Tracteur de pelouse hydrostatique LTX1050KW & LTX1050KH

⚠ AVERTISSEMENT

PRIÈRE DE LIRE TOUTES LES INSTRUCTIONS FIGURANT DANS CETTE NOTICE D'UTILISATION AVANT D'ESSAYER DE VOUS SERVIR DE CETTE MACHINE. LE NON-RESPECT DE CES INSTRUCTIONS PEUT ENTRAÎNER DES BLESSURES CORPORELLES.

CUB CADET LLC, 97 KENT AVENUE, KITCHENER, ON N2G 4J1
LES DISTRIBUTIONS RVI LIMITÉE, 2955, JEAN-BAPTISTE DESCHAMPS, LACHINE, QUÉBEC H8T 1C5