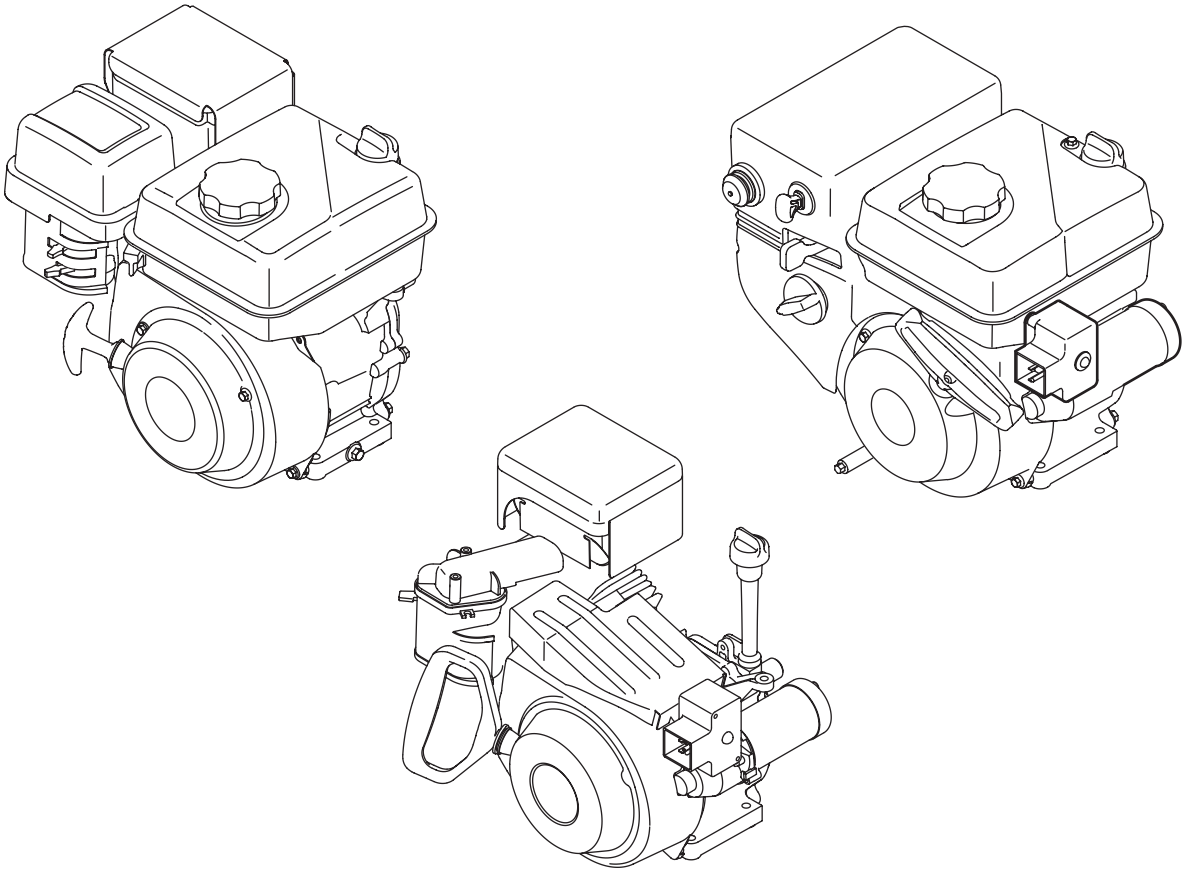


OPERATOR'S MANUAL



179cc, 208cc & 243cc OHV Horizontal Shaft Engine

WARNING

**READ AND FOLLOW ALL SAFETY RULES AND INSTRUCTIONS IN THIS MANUAL
BEFORE ATTEMPTING TO OPERATE THIS MACHINE.
FAILURE TO COMPLY WITH THESE INSTRUCTIONS MAY RESULT IN PERSONAL INJURY.**

MTD Products Ltd., P. O. Box 1386, KITCHENER, ONTARIO N2G 4J1

Important Safe Operation Practices

2



WARNING! This symbol points out important safety instructions which, if not followed, could endanger the personal safety and/or property of yourself and others. Read and follow all instructions in this manual before attempting to operate the equipment. Failure to comply with these instructions may result in personal injury. When you see this symbol. **HEED IT'S WARNING!**

CALIFORNIA PROPOSITION 65



WARNING! Engine Exhaust, some of its constituents, and certain vehicle components contain or emit chemicals known to State of California to cause cancer and birth defects or other reproductive harm.



DANGER! This machine was built to be operated according to the safe operation practices in this manual. As with any type of power equipment, carelessness or error on the part of the operator can result in serious injury. This machine is capable of amputating fingers, hands, toes and feet and throwing foreign objects. Failure to observe the following safety instructions could result in serious injury or death.

Training

1. Read, understand and follow all instructions on the engine and in the manual(s) before attempting to assemble and operate. Keep this manual in a safe place for future and regular reference and for ordering replacement parts.
2. Be familiar with all controls and their proper operation. Know how to stop the engine and disengage them quickly.
3. Never allow children under 14 years of age to operate the engine. Children 14 and over should read and understand the instructions and safe operation practices in this manual and on the engine and be trained and supervised by an adult.
4. Never allow adults to operate the machine without proper instruction.
5. Keep the area of operation clear of all persons, particularly small children and pets. Stop machine if anyone enters the area.

Preparation

1. Thoroughly inspect the area where the equipment is to be used. Remove all stones, sticks, wire and other foreign objects which could be tripped over and cause personal injury.
2. Wear sturdy, rough-soled work shoes and close fitting slacks and shirts. Loose fitting clothes or jewelry can be caught in the moving parts. Never operate the machine in bare feet or sandals.
3. Disengage clutch levers and shift (if equipped) into neutral ("N") before starting the engine.

4. Never leave the engine running while unattended.
5. Never attempt to make any adjustments while the engine is running, except where specifically recommended in the operator's manual.

Safe Handling of Gasoline:

To avoid personal injury or property damage, use extreme care in handling gasoline. Gasoline is extremely flammable and the vapors are explosive. Serious personal injury can occur when gasoline is spilled on yourself and/or your clothes which can ignite. Wash your skin and change clothes immediately.

1. When adding fuel, turn engine OFF and let engine cool at least 2 minutes before removing the gas cap.
2. Fill fuel tank outdoors or in well ventilated area.
3. Use only an approved gasoline container.
4. Never fill containers inside a vehicle or on a truck or trailer bed with a plastic liner. Always place containers on the ground away from your vehicle before filling.
5. If possible, remove gas-powered equipment from the truck or trailer and refuel it on the ground. If this is not possible, then refuel such equipment on a trailer with a portable container, rather than from a gasoline dispenser nozzle.
6. Keep the nozzle in contact with the rim of the fuel tank or container opening at all times until fueling is complete. Do not use a nozzle lock-open device.

7. Do not overfill fuel tank. Fill tank to full as indicated by the fuel level indicator installed inside of the fuel tank. Do not over-fill to allow space for fuel expansion. On some models, a fuel level indicator may NOT be present, in this instance, fill the tank no more than 1/2 inch below the bottom of the filler neck to allow space for fuel expansion.
8. Replace fuel cap and tighten until the cap ratchets.
9. If gasoline is spilled, wipe it off the engine and the equipment. Move the machine to another area. Wait five minutes before starting the engine.
10. To reduce fire hazards, keep the machine free of grass, leaves or other debris build up. Clean up oil or fuel spillage and remove any fuel-soaked debris.
11. Keep gasoline away from sparks, open flames, pilot lights, heat, and other ignition sources.
12. Never fuel equipment indoors because flammable vapors will accumulate in the area.
13. Extinguish all cigarettes, cigars, pipes, and other sources of ignition.
14. Check fuel line, tank, cap, and fittings frequently for cracks or leaks. Replace if necessary.

Operation

1. When starting the engine, make sure spark plug, muffler, and fuel cap are in place.
2. Do not crank engine with spark plug removed.
3. If fuel spills, wait until it evaporates before starting engine.
4. Allow muffler, engine cylinder, and fins to cool before touching.
5. Keep children away from hot or running engines. They can suffer burns from a hot muffler.
6. Remove accumulated combustibles from muffler and cylinder area.
7. Operate equipment with all guards in place.
8. Keep hands and feet away from rotating parts.
9. Tie up long hair and remove jewelry.
10. Do not wear loose-fitting clothing, dangling drawstrings or items that could become caught.
11. When starting the engine, pull cord slowly until resistance is felt, then pull rapidly.
12. Remove all external equipment/engine loads before starting engine.
13. Direct coupled equipment components such as, but not limited to blades, impellers, pulleys, sprockets, etc., must be securely attached.

Maintenance & Storage

1. Keep the engine in safe working order
2. Allow the engine to cool at least five minutes before storing. Never tamper with safety devices. Check their proper operation regularly.
3. Check bolts and screws for proper tightness at frequent intervals to keep the engine in safe working condition. Visually inspect the engine for any damage.
4. Before cleaning, repairing or inspecting; stop the engine and make certain all moving parts have stopped. Disconnect the spark plug wire and ground it against the engine to prevent unintended starting.
5. Do not change the engine governor settings or over-speed the engine. The governor controls the maximum safe operating speed of the engine.
6. Maintain and replace safety and instruction labels as necessary.
7. Always refer to the operator's manual for important details if the machine is to be stored for an extended period of time.
8. If the fuel tank has to be drained, do this outdoors.
9. Observe proper disposal laws and regulations for gas, oil, etc. to protect the environment.

Do not modify engine

To avoid serious injury or death, do not modify engine in any way. Tampering with the governor setting can lead to a runaway engine and cause it to operate at unsafe speeds. Never tamper with factory setting of engine governor.

Notice Regarding Emissions

Engines which are certified to comply with California and federal EPA emission regulations for SORE (Small Off Road Equipment) are certified to operate on regular unleaded gasoline, and may include the following emission control systems: Engine Modification (EM), Oxidizing Catalyst (OC), Secondary Air Injection (SAI) and Three Way Catalyst (TWC) if so equipped.

Spark Arrestor








WARNING: This machine is equipped with an internal combustion engine and should not be used on or near any unimproved forest-covered, brush covered or grass-covered land unless the engine's exhaust system is equipped with a spark arrester meeting applicable local or state laws (if any).

If a spark arrester is used, it should be maintained in effective working order by the operator.

A spark arrester for the muffler is available through your nearest engine authorized service dealer.

Safety Symbols

This page depicts and describes safety symbols that may appear on this product. Read, understand, and follow all instructions on the machine before attempting to assemble and operate.

Symbol	Description
	READ THE OPERATOR'S MANUAL(S) Read, understand, and follow all instructions in the manual(s) before attempting to assemble and operate
	WARNING—GASOLINE IS FLAMMABLE Allow the engine to cool at least two minutes before refueling.
	WARNING— CARBON MONOXIDE Never run an engine indoors or in a poorly ventilated area. Engine exhaust contains carbon monoxide, an odorless and deadly gas.
	WARNING— ELECTRICAL SHOCK Do not use the engine's electric starter in the rain
	WARNING— HOT SURFACE Engine parts, especially the muffler, become extremely hot during operation. Allow engine and muffler to cool before touching.



WARNING! Your Responsibility — Restrict the use of this power machine to persons who read, understand and follow the warnings and instructions in this manual and on the machine.

SAVE THESE INSTRUCTIONS!

Oil & Fuel Specifications

IMPORTANT: Your equipment may or may not have been shipped with oil in the engine. You must, however, check the oil level prior to operating the equipment. Running the engine with insufficient oil can cause serious engine damage and void the engine warranty.



WARNING! Always keep hands and feet clear of equipment moving parts. Do not use a pressurized starting fluid. Vapors are flammable.

Oil Recommendations

Before starting engine, fill with motor oil, capacity is 600 ml/20 oz. Refer to viscosity chart in Fig. 3-1 for oil recommendations. Do not over-fill. Use a 4-stroke, or an equivalent high detergent, premium quality motor oil certified to meet or exceed U.S. automobile manufacturer's requirements for service classification of a minimum level SJ (higher letter ratings are acceptable such as SL and SM grades).

Motor oils will show this designation on the container.

NOTE: Do not use non-detergent oil or 2-stroke engine oil. It could shorten the engine's service life.

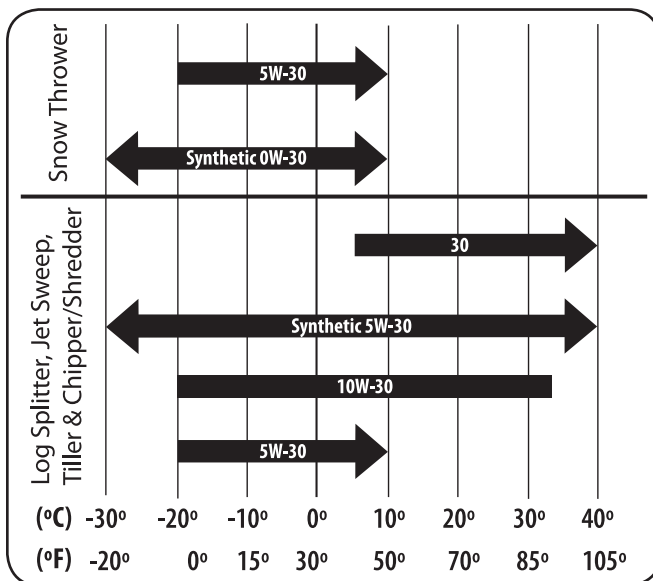


Figure 3-1

Checking Oil Level

Some engines will have a quarter-turn oil fill/dipstick cap, others may have a threaded oil fill/dipstick cap. Follow the instructions next that apply to your engine model.

Checking Oil Level on Engines with Quarter-Turn Oil Fill Caps

NOTE: Be sure to check the oil while on a level surface with the engine stopped.

To avoid engine damage, it is important to:

- Check oil level before each use and every 5 operating hours when engine is warm. Check oil level more frequently during engine break-in.
 - Keep oil level between the high (H) and low (L) marks on dipstick. See Fig. 3-2.
 - Be sure oil fill cap/plug is tightened securely when checking.
1. Remove the oil filler cap/dipstick and wipe the dipstick clean. See Fig. 3-2.
 2. Insert the cap/dipstick into the oil filler neck, and tighten the cap until seated.
 3. Remove the oil filler cap/dipstick. If the level is low, slowly add oil until oil level registers between high (H) and low (L), Fig. 3-2.
 4. Replace and tighten cap/dipstick firmly before starting engine.

NOTE: Do not overfill. Overfilling with oil may cause smoking, hard starting, or spark plug fouling.

NOTE: DO NOT allow oil level to fall below the low (L) mark on the dipstick. Doing so may result in equipment malfunctions or damage.

NOTE: To change the oil on your engine, see the Maintenance Section of this manual.

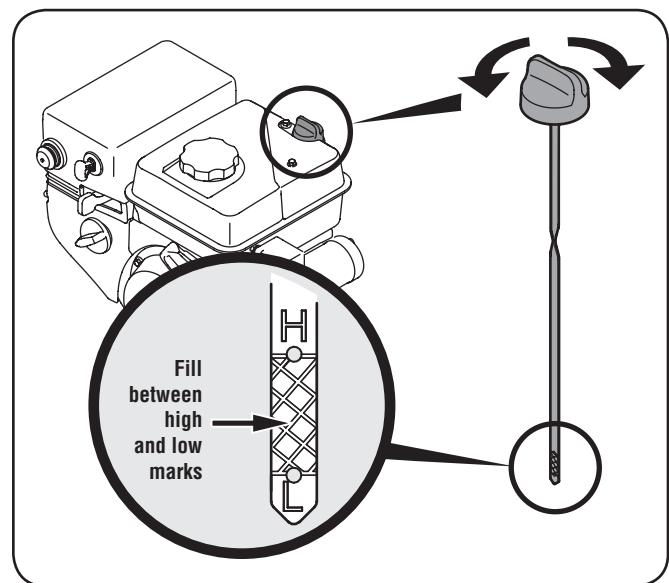


Figure 3-2

Checking Oil Level on Engines with Threaded Oil Fill Caps

NOTE: Be sure to check the oil while on a level surface with the engine stopped.

To avoid engine damage, it is important to:

- Check oil level before each use and every 5 operating hours when engine is warm. Check oil level more frequently during engine break-in.
 - Keep oil level between the high (H) and low (L) marks on dipstick. See Fig. 3-3.
 - Be sure to rest oil fill cap on the threads when checking. Do not tighten down oil fill cap when checking the oil on threaded oil fill cap engines.
1. Remove the oil filler cap/dipstick and wipe the dipstick clean. See Fig. 3-3.
 2. Insert the cap/dipstick into the oil filler neck, but do not screw it in.
 3. Remove the oil filler cap/dipstick. If the level is low, slowly add oil until oil level registers between high (H) and low (L), Fig. 3-3.
 4. Replace and tighten cap/dipstick firmly before starting engine.

NOTE: Do not overfill. Overfilling with oil may cause smoking, hard starting, or spark plug fouling.

NOTE: DO NOT allow oil level to fall below the low (L) mark on the dipstick. Doing so may result in equipment malfunctions or damage.

NOTE: To change the oil on your engine, see the Maintenance Section of this manual.

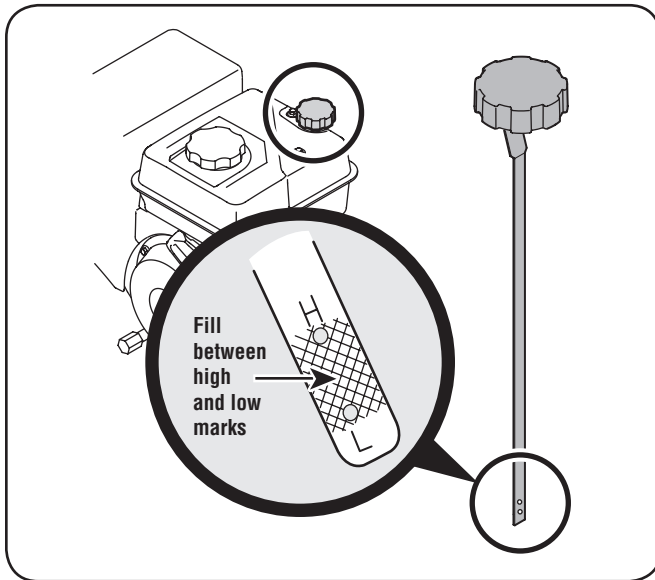


Figure 3-3

Filling Oil Sump

1. Be sure the engine is upright and level.
 2. Remove the oil fill cap dipstick from oil filler tube by rotating counter-clockwise and lifting the dipstick out of the engine. Wipe the dipstick clean with a shop rag.
 3. Insert oil fill cap dipstick back into oil filler tube. On quarter-turn oil fill caps, tighten by rotating the cap clockwise until firmly seated.
- NOTE:** Some units may have a **threaded dipstick**. In this instance, insert the cap/dipstick into the oil filler neck, but **do not screw it in to check**.
4. Loosen and remove the oil fill cap dipstick from the oil filler tube. Note the oil level, if oil reading on the dipstick is below the low (L) mark, slowly add oil to reach the high (H) mark. See Fig. 3-2 or 3-3, whichever is applicable.
 5. Insert oil fill cap dipstick back into oil filler tube. Tighten by rotating the cap clockwise until firmly seated.
 6. Wipe away any spilled oil.

NOTE: To change the oil, see Checking and Changing Oil instructions in the Maintenance Section of this manual.

Fuel Recommendations



CAUTION: Operating the engine with E15 or E85 fuel, an oil/gasoline mixture, dirty gasoline, or **gasoline over 30 days old** that has not been stabilized using a fuel additive, may result in damage to your engine's carburetor. Subsequent damage would **not** be covered under the manufacturer's warranty.

Use automotive gasoline (unleaded or low leaded to minimize combustion chamber deposits) with a minimum of 87 octane. Gasoline with up to 10% ethanol or 15% MTBE (Methyl Tertiary Butyl Ether) can be used. Never use an oil/gasoline mixture or dirty gasoline. Avoid getting dirt, dust, or water in the fuel tank. **DO NOT use E15 or E85 gasoline.**



WARNING! Gasoline is extremely flammable and is explosive under certain conditions.

- Refuel in a well-ventilated area with the engine stopped. Do not smoke or allow flames or sparks in the area where the engine is refueled or where gasoline is stored.
- Do not overfill the fuel tank. After refueling, make sure the tank cap is closed properly and securely.
- Be careful not to spill fuel when refueling. Spilled fuel or fuel vapor may ignite. If any fuel is spilled, make sure the area is dry before starting the engine.
- Avoid repeated or prolonged contact with skin or breathing of vapor.

Adding Fuel



WARNING! An adult should fuel this engine. NEVER allow children to refuel this engine. Gasoline (fuel) vapors are highly flammable and can explode. Fuel vapors can spread and be ignited by a spark or flame many feet away from engine. To prevent injury or death from fuel fires, follow these instructions:

- DO NOT use leaded fuel.
 - Fuel must be fresh and clean. NEVER use fuel left over from last season or stored for long periods.
 - NEVER mix oil with fuel.
 - DO NOT use fuel containing Methanol (Wood Alcohol)
1. Before refueling, allow engine to cool for two minutes.
 2. Be sure engine is outdoors and in a well-ventilated area.
 3. Clean area around the fuel fill cap and remove the fuel fill cap.
 4. Using an approved red GASOLINE container, add fuel slowly, being careful to avoid spilling.
NOTE: On tanks with a fuel level indicator, fill the tank until the fuel reaches the "fuel full" indicator mark. See Fig. 3-4. All other tanks, fill tank until the fuel reaches a ½ inch below the bottom of the filler neck to allow space for fuel expansion. Be careful not to overfill.
 5. Replace the fuel cap and tighten securely. Wipe up spilled fuel before starting engine. If fuel is spilled DO NOT start engine. Move machine away from area of spillage. Avoid creating any source of ignition until fuel vapors are gone.
 6. Be sure fuel valve, if present, is open.

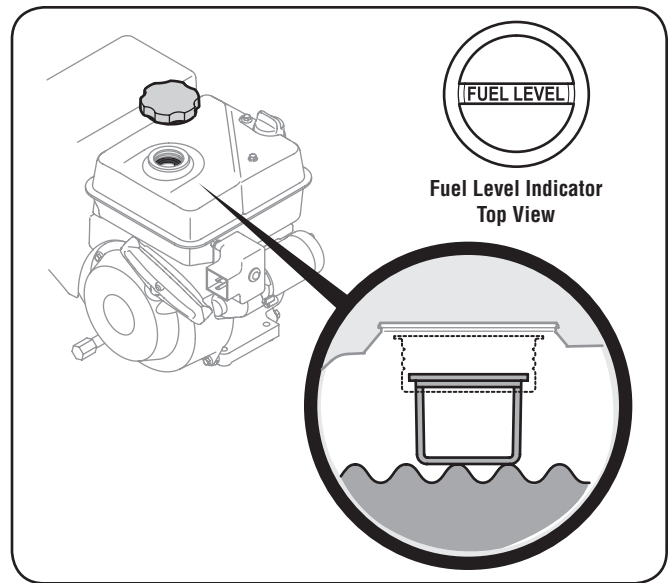


Figure 3-4

Electrical Power



WARNING! DO NOT pull starter rope with engine running. Doing so may VOID YOUR WARRANTY.



CAUTION : The extension cord can be any length, but must be rated for 15 amps at 125 volts, grounded and rated for outdoor use.

NOTES: When connecting power cord always connect power cord to switch box on engine first; then into outlet. See Fig. 3-5. Determine what type of power source outlet you will be connecting the power cord to, before you start your engine. See Engines with Electric Starters instructions in the Operation Section of this manual.

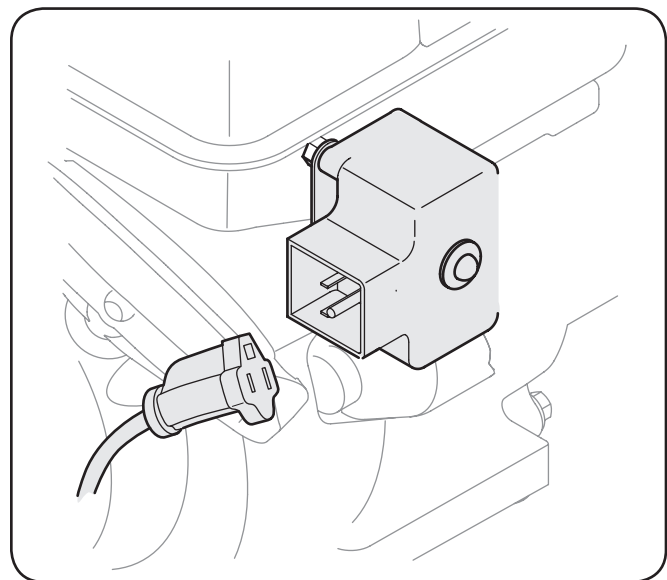


Figure 3-5

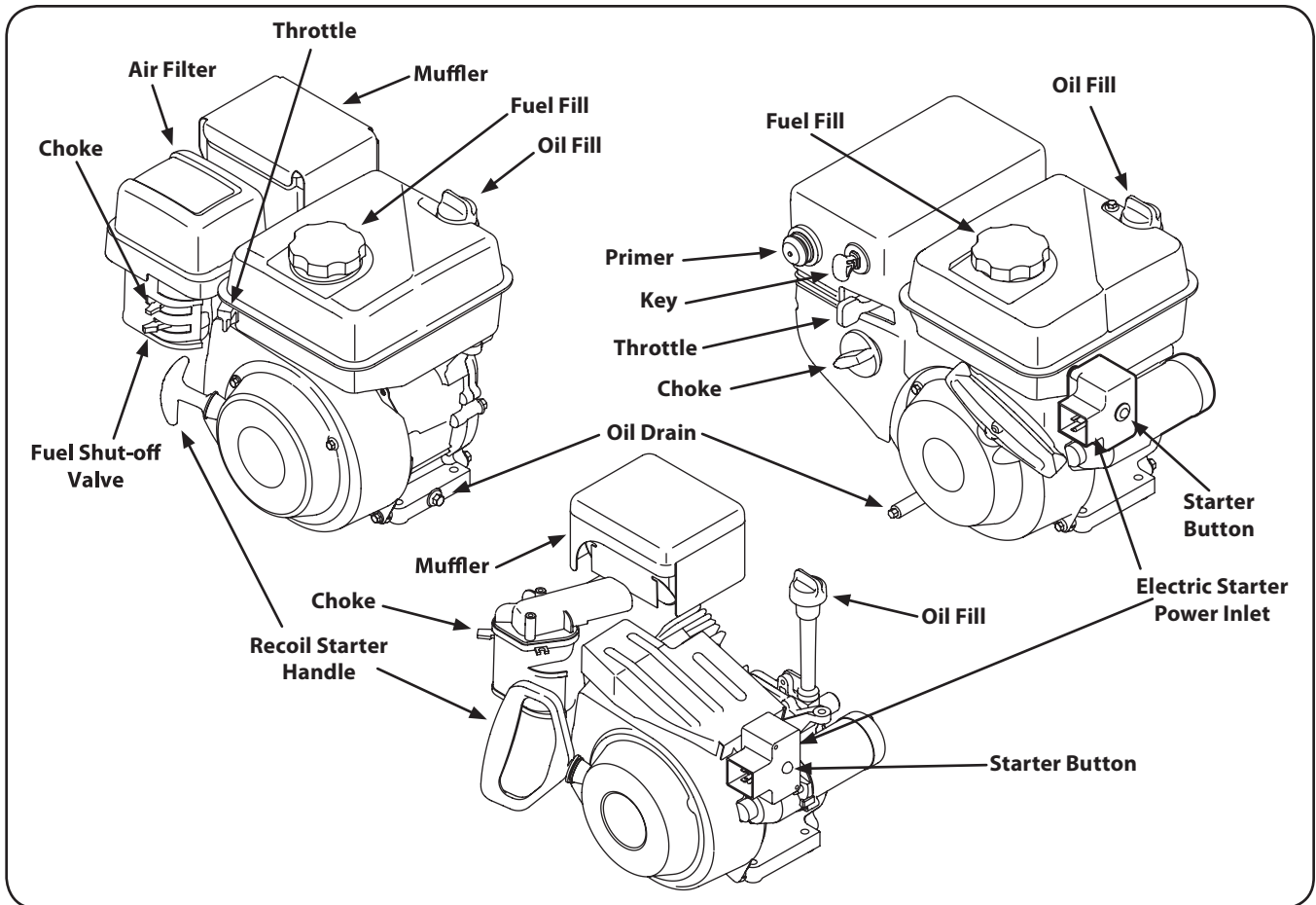


Figure 4-1

Throttle

The throttle control regulates the speed of the engine and will shut off the engine when it is moved into the stop position.

Choke

Activating the choke closes the choke plate on the carburetor and aids in starting the engine.

Oil Drain

Removing the oil drain plug will drain the oil from the engine.

Oil Filler Cap & Dipstick

Remove the oil cap to check the oil level and add oil.

Fuel Fill Cap

Remove the gas cap to add fuel.

Recoil Starter Handle

Pull the starter handle to start the engine.

Fuel Shut-Off Valve

If equipped, is used for controlling the flow of fuel between usage and transport/storage.

Electric Starter Outlet

Requires the use of a three-prong outdoor extension cord and a 120V power source/wall outlet.

Electric Start Button

Pressing the button on the top of the electric starter switch engages the engine's electric starter when plugged into a 120V power source.

Key

The key is a safety device. It must be fully inserted in order for the engine to start. Remove the key when the snow thrower is not in use.

Important: Do not turn the key in an attempt to start the engine. Doing so may cause it to break.

Primer

Pressing the primer forces fuel directly into the engine's carburetor to aid in starting a "Cold" engine.

Pre-Operation Check

IMPORTANT: Your equipment may or may not have been shipped with oil in the engine. You must, however, check the oil level prior to operating your equipment. Running the engine with insufficient oil can cause serious engine damage and void the engine warranty.

For your safety, and in order to maximize the service life of this equipment, it is very important to check its condition before you operate this engine. Make certain to service, correct or fix any problem that might be identified before attempting to operate this engine.



WARNING! Improperly maintaining this engine, or failure to correct any problem before operation can cause a malfunction which could result in serious injury or even death.

Always perform a pre-operation inspection before each operation, and correct any problem.

Before you start the engine, always check the following items:

1. Fuel Recommendations (See *Set Up Section*)
2. Checking Oil Level (See *Set Up Section*)
3. Air Filter, if equipped (See *Maintenance Section*)
4. General Overall Inspection. Check for any fluid leaks or discharges, and loose or damaged parts.
5. Check the owner's manual provided with the equipment that is powered by this engine. Review the owner's manual for any precautions and procedures that should be followed before starting the engine.

Starting the Engine



WARNING! Always keep hands and feet clear of moving parts. Do not use a pressurized starting fluid. Vapors are flammable.



WARNING! An adult should start the engine. Only allow children to start the engine if an adult has determined they are experienced and capable of such operation.



WARNING! If you are unable to start this engine after following instructions in this manual, contact you authorized Service Dealer. To avoid serious burn injuries or damage to your engine, DO NOT attempt to start or troubleshoot this engine in any other way, for example:

- DO NOT use starting fluid.
- DO NOT spray flammable vapors into the carburetor.
- DO NOT put flammable liquids into carburetor.
- DO NOT operate engine or pull on starter rope with spark plug removed. Fuel can spray from spark plug hole and ignite.

NOTE: Allow the engine to warm up for a few minutes after starting. The engine will not develop full power until it reaches operating temperatures.

Familiarize yourself with the engine symbols shown in Fig. 5-1 before attempting to start this engine. If this engine is remotely controlled by the equipment it is powering, be sure to familiarize yourself with the equipment Operator's Manual as well.

NOTE: The following starting instructions are for several different types of engines. In order to locate the instructions that apply to your engine, first determine what type of starter you have. If you have an electric starter, see *Engines With Electric Starters*. If you have a manual recoil starter, see *Engines with Recoil Starters* later in this section.

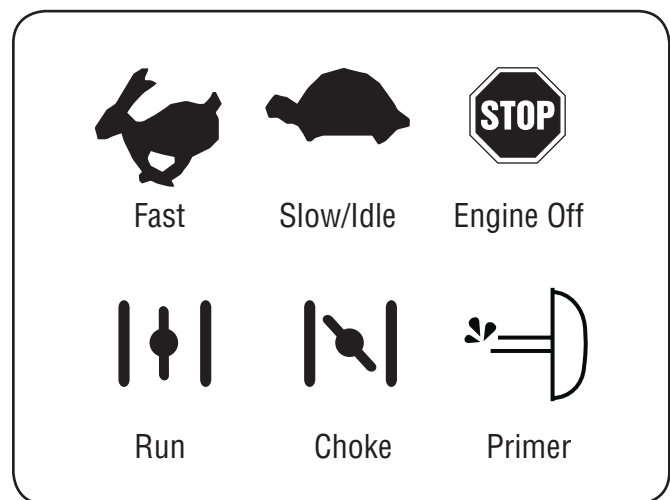


Figure 5-1

Engines With Electric Starters

If you have a manual recoil starter, see *Engines with Recoil Starters* later in this section.



WARNING! DO NOT pull the starter handle while the engine is running.

WARNING! Some electric starters are equipped with a 120V A.C. Three-Wire Power Cord and Plug designed to operated on a 120V A.C. household current. It must be properly grounded at all times to avoid the possibility of injury or death from electrical shock.

- a. Determine if your house wiring has a Ground Fault Interrupted (G.F.I.) Three-Wire Grounded System; if you are not sure, ask a Licensed Electrician.
- b. If your house wiring does not have a G.F.I. Three-Wire Grounded System, DO NOT USE THIS ELECTRIC STARTER UNDER ANY CONDITION.

- c. If your house wiring is grounded and a G.F.I. three-Prong Wall Receptacle is not available at the location where your starter will be used, one must be installed by a Licensed Electrician BEFORE USING THE ELECTRIC STARTER!

1. To avoid carbon monoxide poisoning, be sure engine is outdoors in a well-ventilated area.
2. Be sure fuel valve, if present (see equipment Operator's Manual instructions) is open and all switches are on.
NOTE: If your engine is equipped with a 12V battery-operated electric starter, proceed Step 5.
3. Plug an extension cord into the outlet located on the engine's surface. Plug the other end of extension cord into a three-prong 120-volt, grounded, AC outlet in a well-ventilated area.



CAUTION: The extension cord can be any length, but must be rated for 15 amps at 125 volts, grounded and rated for outdoor use.

IMPORTANT: When connecting the power cord, always connect the power cord to the switch box on the engine first; then into the outlet.

4. Move engine speed control, if equipped, in the "Fast" position.
5. If equipped, set the choke control to "FULL CHOKE" position.
6. Hold the primer bulb in for one full second each time you press it.
 - Make sure you cover the vent hole with your thumb.
 - Prime between 3 and 5 times.

IMPORTANT: DO NOT operate an electric starter for more than 5 seconds during each attempt.

NOTE: DO NOT use the primer bulb to restart a warm engine after a short shutdown. Doing so will flood the engine and may result in equipment malfunction.

NOTE: If restarting a warm engine after a short shutdown, move the engine speed control (if equipped) the "FAST" position and move the choke control to the "NO CHOKE" position.

7. Push the starter button to start the engine.
NOTE: If the engine fails to start after 3 attempts, repeat steps 1 through 8.
8. When the engine starts:
 - Release the starter button.
 - Move the choke control to "1/2 CHOKE" position until the engine runs smoothly.
 - Next, move the choke control to the NO CHOKE position.
9. Move the engine speed control (*if equipped*) to the desired speed in the "RUN" range.

NOTE: If the engine starts but falters when the choke control is moved to the "NO CHOKE" position:

- Momentarily move choke control back to "FULL CHOKE" position.

- Next, move the choke control to 1/2 "CHOKE" position until engine runs smoothly.
- Finally, move the choke control to the NO CHOKE position.

If the engine dies after choke control is moved to "NO CHOKE" position, repeat steps 5 through 10 to restart engine.

10. If the engine fails to start after 3 attempts in the "NO CHOKE" position, move the choke control to "FULL CHOKE" position and start engine.

NOTE: When disconnecting the power cord, always disconnect the power cord from the outlet first; then disconnect the power cord from the switch box on the engine.

11. Disconnect the power cord from the outlet.
12. Disconnect the power cord from the switch box on the engine.
13. If engine does not start after following steps 1 through 12, contact your Authorized Service Dealer. DO NOT attempt to troubleshoot this engine in any other way.

Engines with Recoil Starters

If you have an electric starter, see Engines with Electric Starters earlier in this section.



WARNING! DO NOT pull starter rope with engine running. Doing so may VOID YOUR WARRANTY.

1. To avoid carbon monoxide poisoning, be sure engine is outdoors in a well-ventilated area.
2. Be sure fuel valve, if present (see equipment Operator's Manual instructions) is open and all switches are on.
3. Move the engine speed control, if equipped, to the "FAST" position.
4. If equipped, set the choke control to "FULL CHOKE" position.
5. Hold the primer bulb in for one full second each time you press it.
 - Make sure you cover the vent hole with your thumb.
 - Prime between 3 and 5 times.

NOTE: DO NOT use the primer bulb to restart a warm engine after a short shutdown. Doing so will flood the engine and may result in equipment malfunction.

NOTE: If restarting a warm engine after a short shutdown, move the engine speed control (if equipped) the "FAST" position and move the choke control to the "NO CHOKE" position.



WARNING! When pulling the starter rope, the rope can unexpectedly jerk back toward the engine causing serious injury. To avoid this risk, carefully follow these instructions:

6. Grasp the starter cord handle.
 - Pull rope out slowly until you feel drag.
 - Without allowing the rope to retract, continue pulling the rope with one rapid full arm stroke.
 - Return the rope slowly to the original position.

NOTE: Following the instructions listed in the steps above avoids potential damage to the recoil mechanism.

NOTE: If the recoil starter handle is frozen and will not operate the engine, proceed as follows:

- Pull as much rope out of the starter as possible.
 - Release the starter handle and let it snap back against the starter to break up ice; these two steps should only be done when the starter is frozen.
7. If the engine fails to start after 3 attempts repeat steps 1 through 7 and try again.
 8. When the engine starts:
 - Move the choke control to "1/2 CHOKE" position until the engine runs smoothly.
 - Next, move the choke control to the NO CHOKE position.
 9. Move the engine speed control (*if equipped*) to the desired speed in the "RUN" range.

NOTE: If the engine starts but falters when the choke control is moved to the "NO CHOKE" position:

- Momentarily move choke control back to "FULL CHOKE" position.
- Next, move the choke control to 1/2 "CHOKE" position until engine runs smoothly.
- Finally, move the choke control to the NO CHOKE position.

If the engine dies after choke control is moved to "NO CHOKE" position, repeat steps 3 through 10 to restart engine.

10. If the engine fails to start after 3 attempts in the "NO CHOKE" position, move the choke control to "FULL CHOKE" position and start engine.
11. If engine does not start after following steps 1 through 11, contact your Authorized Service Dealer. DO NOT attempt to troubleshoot this engine in any other way.

Stopping the Engine & Short Term Storage

Stop engine in accordance with the equipment Operator's Manual.



WARNING! To avoid unsupervised engine operation, especially by children, NEVER leave the engine unattended while running. Always turn off the engine after use and remove the ignition key, if equipped.



WARNING! NEVER store the engine with fuel in the fuel tank inside a building with potential sources of ignition such as hot water tank and space heaters, clothes dryers, electric motors, etc.

Stopping The Engine

1. If operating the engine in the snow or rain, run the engine for a few minutes to help dry off any moisture.
2. Move the equipment control, if present (see Equipment Owner's Manual), engine control lever or ignition switch to "STOP" or "OFF" position.
3. Remove ignition key, if provided (see equipment Operator's Manual).

NOTE: Removing the key will reduce the possibility of unauthorized starting of the engine while equipment is not in use.



WARNING! NEVER store the engine with fuel in the fuel tank inside a building with potential sources of ignition such as hot water tank and space heaters, clothes dryers, electric motors, etc.

After the Engine is Stopped



WARNING! To prevent the possible freeze-up of engine controls, follow instructions with engine STOPPED, listed below:

1. Wipe all snow and moisture from the engine control lever and choke areas.
2. Move the equipment control, if present, (see equipment Operator's Manual), engine control lever or ignition switch back and forth several times and leave the control in the "STOP" or "OFF" position.
3. Move the engine choke back and forth several times and leave in the "FULL CHOKE" position.
4. Be sure the Fuel Shut-Off Valve, if present, is off.

Maintenance Schedule

	First 5 Hours	Each Use or Every 5 Hrs.	Every Season or 25 Hours	Every Season or 50 Hours	Every Season or 100 Hours	Service Dates
Check Engine Oil Level		✓				
Change Engine Oil	✓			✓		
Check Air Cleaner (If equipped)		✓				
Service Air Cleaner (If equipped)					✓	
Check Spark Plug			✓			
Replace Spark Plug					✓	
Clean Engine Shroud (If equipped)		✓				
Clean around muffler		✓				
Replace Fuel Filter (If equipped)					✓	

Periodic inspection and adjustment of the engine is essential if high level performance is to be maintained. Regular maintenance will also ensure a long service life. The required service intervals and the kind of maintenance to be performed are described in the table above. Follow the hourly or calendar intervals, whichever occur first. More frequent service is required when operating in adverse conditions.



WARNING! Shut off the engine before performing any maintenance. To prevent accidental start-up, disconnect the spark plug boot.

NOTE: If engine must be tipped to transport equipment or to inspect or remove grass, keep spark plug side of engine up. Transporting or tipping engine spark plug down may cause smoking, hard starting, spark plug fouling, or oil saturation of air cleaner.



WARNING! If the engine has been running, the muffler will be very hot. Be careful not to touch the muffler.

Checking and Changing the Oil

To avoid engine damage, it is important to:

- Check oil level before each use and every 5 operating hours when the engine is warm.
- Change the oil after the first 5 operating hours and every 50 operating hours thereafter. Engine should still be warm but NOT hot from recent use.

Oil Fill Cap and Dipstick



WARNING! Before tipping engine or equipment to drain oil, drain fuel from tank by running engine until fuel tank is empty.

1. Carefully disconnect the spark plug wire and keep it away from the spark plug. Refer to Fig. 6-1 for spark plug location.

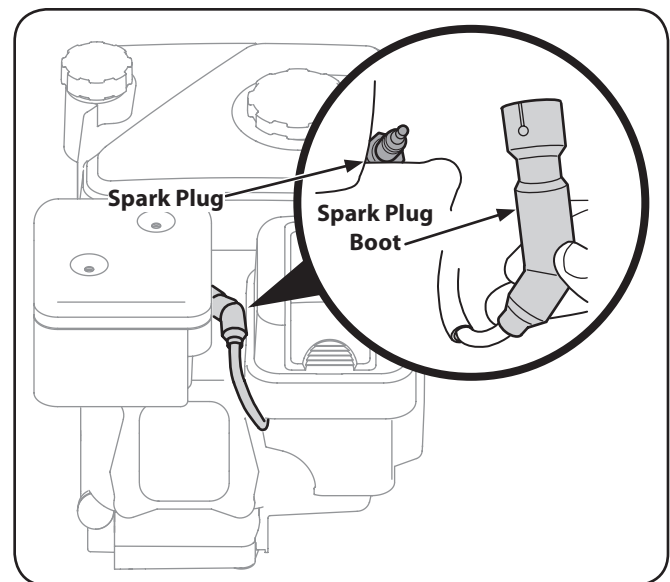


Figure 6-1

- Keep the disconnected spark plug wire securely away from the metal parts where arcing could occur.
 - Carefully attach the spark plug wire to the grounding post, if provided.
2. Be sure that the fuel fill cap is on and securely tightened.
 3. Be sure to find correct oil drain plug location, if present (see the equipment Operator's Manual instructions for additional information). See Fig. 6-2.
 4. Clean area around the oil drain plug.
 5. Place an approved recyclable oil container under the oil drain plug.
 6. Remove the Oil drain plug. See Fig. 6-2.

NOTE: Depending on which engine model you have, the oil plug may be positioned differently. These positions include on the front and/or rear side of the block, or as an extended tube. Examples are shown in Figure 6-2.

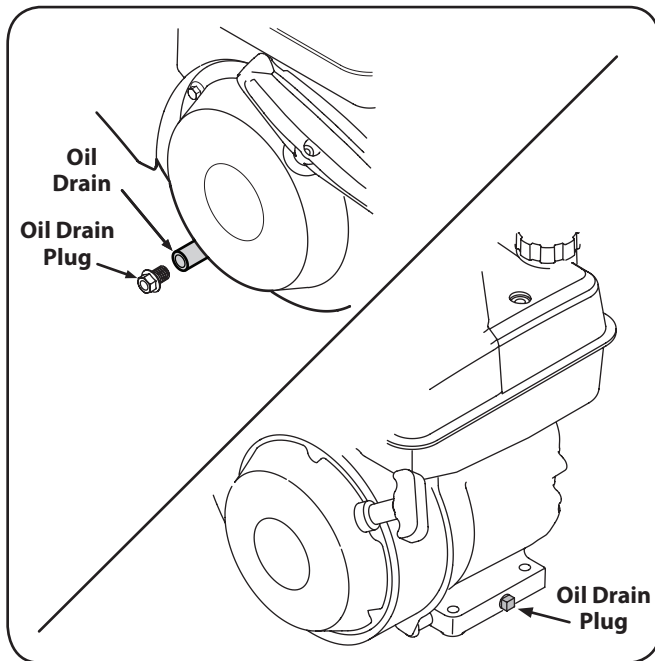


Figure 6-2



WARNING! Used motor oil may cause skin cancer if repeatedly left in contact with the skin for prolonged periods. Although this is unlikely unless you handle used oil on a daily basis, it is still advisable to thoroughly wash your hands with soap and water as soon as possible after handling used oil.

7. Tip engine to position the oil flow, so it will drain from the lowest point on the engine.
8. Drain the oil into an approved recyclable oil container.

NOTE: Please dispose of used motor oil in a manner that is compatible with the environment. We suggest you take it in a sealed container to your local service station for reclamation. Do not throw it in the trash or pour it on the ground.

9. Install the oil drain plug and tighten securely.
10. Clean area around the oil drain plug.
11. Remove the oil fill cap dipstick.
12. Fill with the recommended oil (See Set Up Section).

NOTE: DO NOT overfill oil filler. Doing so may result in oil carry-over to the equipment and cause malfunction or damage.

NOTE: DO NOT allow oil level to fall below the "L" mark on the dipstick. Doing so may result in equipment malfunction or damage.

13. Wipe away any spilled oil.
14. Checking Oil Level (See Set Up Section)
15. Install the oil fill cap dipstick. Tighten securely.
16. Carefully disconnect spark plug wire from grounding post, if present.
17. Carefully reconnect the spark plug wire to the spark plug.

NOTE: It is advisable to recheck the oil level after you have operated the engine for a short while, and the normal engine operating temperature has been achieved.



WARNING! If the engine has been running, the muffler, engine head and spark plug will be very hot. Be careful not to touch any of these components until they have cooled.

Spark Plug Service



WARNING! DO NOT check for spark with spark plug removed. DO NOT crank engine with spark plug removed.

Check the spark plug yearly or every 100 operating hours. To ensure proper engine operation, the spark plug must be properly gapped and free of deposits.

1. Remove the spark plug boot.
2. Clean the area around the spark plug.
3. Use a spark plug wrench to remove the plug.



WARNING! If the engine has been running, the muffler, engine head and spark plug will be very hot. Be careful not to touch any of these components until they have cooled.

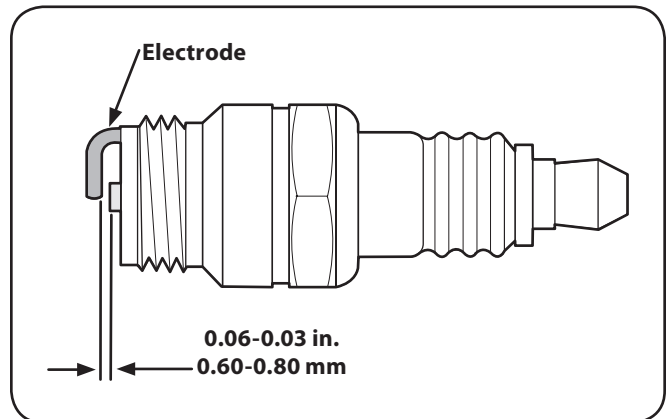


Figure 6-3

4. Visually inspect the spark plug. Discard the spark plug if there is apparent wear, or if the insulator is cracked or chipped. Replace the plug if the electrodes are pitted, burned or fouled with deposits.
5. Clean the spark plug with a wire brush if it is to be reused.
6. Measure the plug gap with a feeler gauge. Correct as necessary by bending side electrode. See Fig. 6-3. The gap should be set to 0.030 in. (0.76mm).
7. Check that the spark plug washer is in good condition
8. Thread the spark plug in by hand to prevent cross-threading.
9. After the spark plug is seated, tighten with a spark plug wrench to compress the washer.

NOTE: When installing a new spark plug, tighten ½ turn after the spark plug seats to compress the washer. When reinstalling a used spark plug, tighten ⅛-¼ turn after the spark plug seats to compress the washer.

NOTE: The spark plug must be securely tightened. An improperly tightened spark plug can become very hot and may damage the engine.

Air Filter

NOTE: Not all engines have air filters, such as engines used for snow throwers. Service the air filter if one is present.

Paper filters cannot be cleaned and must be replaced once a year or every 10 operating hours; more often if used in extremely dusty conditions.



WARNING! Never use gasoline or low flash point solvents for cleaning the air cleaner element. A fire or explosion could result.

NOTE: Never run the engines that have air filters without them. Rapid engine wear can result.

1. Press the tab on the air filter cover and lift the cover, or un-thread the thumbscrews, depending on the model of engine you have. See Fig. 6-4.

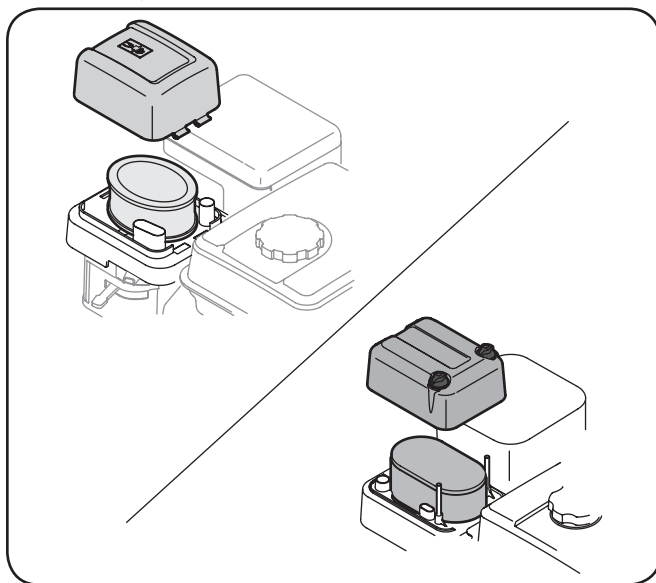


Figure 6-4

2. Replace paper element when dirty or damaged. Clean foam element or replace when damaged.
3. To clean foam element, separate it from the paper element and wash in liquid detergent and water. Allow to dry thoroughly before using. Do not oil the foam element.

Adjustments

DO NOT make any engine adjustments. Factory settings are satisfactory for most conditions. If adjustments are needed, contact your Authorized Servicing Dealer.

Carburetor

If you think you carburetor needs adjusting, see your nearest Authorized Servicing Dealer. Engine performance should NOT be affected at altitudes up to 7,000 feet (2,134 meters). For operation at higher elevations, contact your Authorized Servicing Dealer

Alternator (if equipped)

Contact your Authorized Servicing Dealer for alternator related electrical problems such as:

- Inoperative Starter
- Discharged Battery
- Fuse Replacement
- Alternator Maintenance/Repairs

Engine Speed



WARNING! To avoid serious injury or death, DO NOT modify engine in any way. Tampering with the governor setting can lead to a runaway engine and cause it to operate at unsafe speeds. NEVER tamper with the factory setting of the engine governor.



WARNING! Running the engine faster than the speed set at the factory can be dangerous and will VOID THE ENGINE WARRANTY.

Removing Snow from the Engine

After each use, remove snow from the following areas:

- Oil Fill Cap Dipstick
- Fuel Fill Cap
- Recoil Starter/Flywheel Screen
- Linkage
- Guards
- Spark Plug Connection (if visible).
- Electric Starter Switch Box, if present (see the equipment Operator's Manual instructions).

NOTE: See the equipment Operator's Manual instructions for proper location of fuel fill cap and control lever.

1. Removing snow will ease operation of the recoil starter rope and reduce the risk of water contamination when opening the fuel fill cap.

NOTE: For more information about recoil starters, see Engine's with Recoil Starters in the Operation Section of this manual.

Transporting Your Engine



WARNING! NEVER transport this engine inside of another vehicle or in any enclosed space if there is any gasoline in the tank. Fuel vapor or spilled fuel may ignite.



WARNING! If there is fuel in the fuel tank, close the fuel valve, if equipped, and transport the engine upright in an open vehicle, such as an open trailer or open bed of a pickup truck.

If you DO NOT have an open vehicle and have to transport the engine upright in a closed vehicle, follow these steps for emptying the fuel tank before transporting:

1. Empty fuel tank by using a commercially available suction device designed for use with gasoline.



WARNING! DO NOT pour fuel from the engine or siphon fuel by mouth.

2. Drain fuel into an approved red gasoline container, being careful to avoid spilling.
3. Run the engine until remaining fuel is consumed.



WARNING! NEVER leave the engine unattended when it is running and NEVER run the engine in an enclosed area.

Storing Your Engine

Short-Term/Seasonal Storage

Clean Engine

If the engine has been running, allow it to cool for at least half an hour before cleaning.

Before servicing the engine, remove the carburetor cover and/or blower housing. Discard the dirt and debris from the following areas:

- Cooling Fins
- Air Intake Screen or Recoil Starter/Flywheel Guard Areas
- Spark Plug Connection
- Levers
- Linkage Area
- Guards
- Carburetor
- Head

Removing debris will insure adequate cooling, correct engine speed and reduce the risk of fire.

NOTE: Do not spray engine with water to clean because water could contaminate fuel. Using a garden hose or pressure washing equipment can also force water into the air cleaner or muffler opening. Water in the air cleaner will soak the paper element, and water that passes through the element or muffler can enter the cylinder, causing damage.



WARNING! Accumulation of debris around muffler could cause a fire. Inspect and clean before every use.

Fuel Storage



WARNING! NEVER store engine with fuel in the fuel tank inside a building with potential sources of ignition such as hot water heater, space heater, clothes dryer, electric motor, etc. Failure to do so may result in an explosion and result in death or serious injury.

NOTE: If engine fuel stored in the gas tank and/or an approved gas container is to be unused without gasoline stabilizer for more than 15-30 days, prepare it for short-term/seasonal storage. See Fuel Treatment later in this section.

NOTE: If engine fuel is to be stored for more than one season, without gasoline stabilizer, it will gradually deteriorate. Also, if it is stored in the engine's gas tank without gasoline stabilizer it is likely that your carburetor will have gum deposits, a clogged fuel system and will VOID YOUR WARRANTY. Prepare the fuel for extended storage.

Fuel System

To avoid stale fuel and carburetor problems, treat the fuel system in the following manner:

NOTE: Always follow mix ratio found on the stabilizer container. Failure to do so may result in equipment damage.

NOTE: It is NOT necessary to drain stabilized gas from carburetor.

Fuel Treatment

1. Add a gasoline stabilizer such as **STA-BIL**® according to manufacturer's instructions.
2. Run engine at least 10 minutes after adding the stabilizer to allow it to reach the carburetor.



WARNING! NEVER store the engine with the fuel in the fuel tank inside a building with potential sources of ignition such as a hot water heater, space heater, clothes dryer, electric motor, etc.

NOTE: Instead of using a fuel preservative/stabilizer, you can empty the fuel tank as described next in Extended Storage - Draining the Fuel.

Extended Storage

Draining the Fuel

NOTE: Clean debris from the engine before draining fuel from the carburetor.

NOTE: If you have prepared your fuel for short-term storage it is NOT necessary to drain fuel that contains stabilizer from your carburetor.



WARNING! To avoid severe injury or death, DO NOT pour fuel from engine or siphon fuel by mouth.

1. To prevent serious injury from fuel fires, empty fuel tank by running engine until it stops from lack of fuel. DO NOT attempt to pour fuel from engine.
2. Run the engine while waiting until the remaining fuel is consumed.



WARNING! NEVER leave the engine unattended when it is running and NEVER run the engine in an enclosed area.

3. Begin servicing the cylinder bore as per the following instructions.

Oil Cylinder Bore



WARNING! When lubricating cylinder bore, fuel may spray from the spark plug hole. To prevent serious injury from fuel fires, follow these instructions:

1. Carefully disconnect the spark plug wire and keep it away from the spark plug.
 - Keep the disconnected spark plug wire securely away from the metal parts where arcing could occur.
 - Carefully attach the spark plug wire to the grounding post, if provided.
 - Disconnect the battery at the negative terminal first, if the engine is equipped with a D.C. electric starter.
 - Turn off all the engine switches.
 - Remove the ignition key, if provided.
2. Remove the spark plug.
3. Squirt 1oz. (30ml) of clean engine oil into the spark plug hole.
4. Cover the spark plug hole with a rag to prevent fuel from spraying from the spark plug hole when the starter rope is pulled.

NOTE: for engines equipped with a recoil starter, proceed to Step 5. For engines equipped with electric starters, proceed to Step 6.
5. Grasp the starter cord handle:
 - Pull the starter cord handle out slowly using a full arm stroke.
 - Repeat once. This will distribute the oil throughout the cylinder to prevent corrosion during storage.
 - Proceed to Step 7.
6. Push starter button or turn ignition switch key to "START" position. Immediately releases the starter button or turn the ignition switch key to the "OFF" position. This will distribute the oil throughout the cylinder to prevent corrosion during storage.

7. Remove the rag from the spark plug hole.
8. Install the spark plug.
9. Carefully disconnect the spark plug wire from the grounding post, if provided.
10. Connect the spark plug wire plug wire to the spark plug.

Oil

Change the oil if NOT changed within the last 3 months. See Checking and Changing the Oil earlier in this section.

Off-Season Storage



CAUTION: Failure to use a fuel stabilizing additive such as STA-BIL® or completely run the engine until it's out of fuel before off-season storage may result in damage to your engine's carburetor. Subsequent damage would not be covered under the manufacturer's warranty.

Gasoline that will be stored longer than 30 days needs to be pre-treated upon purchase with fuel stabilizer such as STA-BIL® to prevent gum and varnish from forming in the engines fuel and intake system. Improper fuel storage can result in hard starting, no starting, stalling and poor performance. If the gasoline in your engine deteriorates during storage, you may need to have the carburetor, and other fuel system components, serviced or replaced.

1. Remove all fuel from tank by running engine until it stops from lack of fuel.



WARNING! Never leave engine unattended while it is running.

2. Change the oil. See Changing the Oil earlier in this section.
3. Remove the spark plug and pour approximately a ½-ounce of engine oil into the cylinder. Replace spark plug and crank it slowly to distribute oil.
4. Clean debris from around the engine and the muffler. Touch up any damaged paint, and coat other areas that may rust with a light film of oil.
5. Store in a clean, dry and well ventilated area away from any appliance that operates with a flame or pilot light, such as a furnace, water heater, or clothes dryer. Also avoid any area with a spark producing electric motor, or where power tools are operated.
6. If possible, also avoid storage areas with high humidity, because that promotes rust and corrosion.
7. Keep the engine level in storage. Tilting can cause fuel or oil leakage.

Problem	Cause	Remedy
Engine Fails to start	<ol style="list-style-type: none"> 1. Engine flooded 2. Spark plug wire disconnected 3. Fuel tank empty or stale fuel 4. Engine not choked 5. Faulty spark plug 6. Throttle in stop position 	<ol style="list-style-type: none"> 1. Wait at least 10 minutes before starting 2. Connect wire to spark plug 3. Fill tank with clean, fresh gasoline 4. Choke engine 5. Clean, adjust gap or replace 6. Move throttle to FAST/Run position
Engine runs erratically	<ol style="list-style-type: none"> 1. Spark plug wire loose 2. Spark plug scorched, defective or electrode gap is set incorrectly 3. Stale fuel 4. Engine running with choke on 5. Water or dirt in fuel system 	<ol style="list-style-type: none"> 1. Connect and tighten spark plug wire 2. Re-adjust electrode gap or change 3. Fill tank with clean, fresh gasoline 4. Move choke to off 5. Drain fuel tank. Refill with fresh fuel
Engine overheats	<ol style="list-style-type: none"> 1. Engine oil level low 	<ol style="list-style-type: none"> 1. Fill engine with proper amount of engine oil

ENGINE	AIR FILTER	SPARK PLUG	FUEL CAP	KEY	FUEL FILTER
165-SUC	N/A	951-10292	951-10649A	731-05632	951-10652
170-C0A	951-10794	951-10292	951-10917A	N/A	951-10652
170-CU	951-10794	951-10292	951-10917A	N/A	951-10652
170-DU	951-10794	951-10292	951-10917A	N/A	951-10652
170-L0	951-10794	951-10292	951-10917A	N/A	951-10652
170-TOB	951-10794	951-10292	951-10917A	N/A	951-10652
170-VOB	951-10794	951-10292	951-10917A	N/A	951-10652
170-V0	951-10794	951-10292	951-10917A	N/A	951-10652
170-VU	951-10794	951-10292	951-10917A	N/A	951-10652
170-LU	951-10794	951-10292	951-10917A	N/A	951-10652
170-TU	951-10794	951-10292	951-10917A	N/A	951-10652
265-JU	N/A	951-10292	951-10300	731-05632	951-10358
265-SU	N/A	951-10292	951-10300	731-05632	951-10358
270-JU	N/A	951-10292	951-10649A	731-05632	951-10358
270-SUA	N/A	951-10292	951-10649A	731-05632	951-10358
270-VO	951-10794	951-10292	951-10649A	731-05632	951-10358
270-VU	951-10794	951-10292	951-10649A	731-05632	951-10358
365-SUB	N/A	951-10292	951-10649A	731-05632	951-10652
370-JUA	N/A	951-10292	951-10649A	731-05632	951-10358
370-SUC	N/A	951-10292	951-10649A	731-05630	951-10652

NOTE: This Operators Manual covers a range of product specifications for various models. Characteristics and features discussed and/or illustrated in this manual may not be applicable to all models. The manufacturer reserves the right to change product specifications, designs and equipment without notice and without incurring obligation.

NOTE: Download a complete Parts Manual, refer to customer support on page 2. Be sure to have your model number and serial number ready. These can be found on the model plate located under the seat. Refer to page 2 for more information regarding locating your model and serial numbers.

FEDERAL and/or CALIFORNIA EMISSION CONTROL WARRANTY STATEMENT YOUR WARRANTY RIGHTS AND OBLIGATIONS

MTD Consumer Group Inc, the United States Environmental Protection Agency (EPA), and for those products certified for sale in the state of California, the California Air Resources Board (CARB) are pleased to explain the emission control system (ECS) warranty on your 2013-2014 small off-road spark-ignited engine and equipment (outdoor equipment). In California, new outdoor equipment must be designed, built and equipped to meet the State's stringent anti-smog standards (in other states, outdoor equipment must be designed, built, and equipped to meet the U.S. EPA small off-road spark ignition engine regulations). MTD Consumer Group Inc must warrant the ECS on your outdoor equipment for the period of time listed below, provided there has been no abuse, neglect, or improper maintenance of the outdoor equipment.

Your ECS may include parts such as the carburetor, fuel-injection system, ignition system, catalytic converter, fuel tanks, fuel lines, fuel caps, valves, canisters, filters, vapor hoses, clamps, connectors, and other associated emission-related components.

Where a warrantable condition exists, MTD Consumer Group Inc will repair your outdoor equipment at no cost to you including diagnosis, parts, and labor.

MANUFACTURER'S WARRANTY COVERAGE:

This emission control system is warranted for two years. If any emission-related part on your outdoor equipment is defective, the part will be repaired or replaced by MTD Consumer Group Inc.

OWNER'S WARRANTY RESPONSIBILITIES:

As the outdoor equipment owner, you are responsible for performance of the required maintenance listed in your owner's manual. MTD Consumer Group Inc recommends that you retain all receipts covering maintenance on your outdoor equipment, but MTD Consumer Group Inc cannot deny warranty solely for the lack of receipts.

As the outdoor equipment owner, you should however be aware that MTD Consumer Group Inc may deny you warranty coverage if your outdoor equipment or a part has failed due to abuse, neglect, improper maintenance, or unapproved modifications.

You are responsible for presenting your outdoor equipment engine to MTD Consumer Group Inc's distribution center or service center as soon as the problem exists. The warranty repairs should be completed in a reasonable amount of time, not to exceed 30 days. If you have a question regarding your warranty coverage, you should contact the MTD Consumer Group Inc Service Department.

In the U.S.A.: at 1-800-800-7310 or at <http://support.mtdproducts.com>.

In Canada: at 1-800-668-1238 or at <http://www.mtdcanada.com>

GENERAL EMISSIONS WARRANTY COVERAGE:

MTD Consumer Group Inc warrants to the ultimate purchaser and each subsequent purchaser that the outdoor equipment is: (1) designed, built, and equipped so as to conform with all applicable regulations; and (2) free from defects in materials and workmanship that cause the failure of a warranted part for a period of two years.

The warranty period begins on the date the outdoor equipment is delivered to an ultimate purchaser or first placed into service.

Subject to certain conditions and exclusions as stated below, the warranty on emission-related parts is as follows:

1. Any warranted part that is not scheduled for replacement as required maintenance in the written instructions supplied is warranted for the warranty period stated above. If the part fails during the period of warranty coverage, the part will be repaired or replaced by MTD Consumer Group Inc according to subsection (4) below. Any such part repaired or replaced under warranty will be warranted for the remainder of the period.
2. Any warranted part that is scheduled only for regular inspection in the written instructions supplied is warranted for the warranty period stated above. Any such part repaired or replaced under warranty will be warranted for the remaining warranty period.
3. Any warranted part that is scheduled for replacement as required maintenance in the written instructions supplied is warranted for the period of time before the first scheduled replacement date for that part. If the part fails before the first scheduled replacement, the part will be repaired or replaced by MTD Consumer Group Inc according to subsection (4) below. Any such part repaired or replaced under warranty will be warranted for the remainder of the period prior to the first scheduled replacement point for the part.
4. Repair or replacement of any warranted part under the warranty provisions herein must be performed at a warranty station at no charge to the owner.
5. Notwithstanding the provisions herein, warranty services or repairs will be provided at all of our distribution centers that are franchised to service the subject engines or equipment.
6. The outdoor equipment owner will not be charged for diagnostic labor that is directly associated with diagnosis of a defective, emission-related warranted part, provided that such diagnostic work is performed at a warranty station.
7. MTD Consumer Group Inc is liable for damages to other engine or equipment components proximately caused by a failure under warranty of any warranted part.
8. Throughout the off-road engine and equipment warranty period stated above, MTD Consumer Group Inc will maintain a supply of warranted parts sufficient to meet the expected demand for such parts.

9. Any replacement part may be used in the performance of any warranty maintenance or repairs and must be provided without charge to the owner. Such use will not reduce the warranty obligations of MTD Consumer Group Inc.
10. Add-on or modified parts that are not exempted by the Air Resources Board may not be used. The use of any non-exempted add-on or modified parts by the ultimate purchaser will be grounds for disallowing a warranty claim. MTD Consumer Group Inc will not be liable to warrant failures of warranted parts caused by the use of a non-exempted add-on or modified part.

WARRANTED PARTS:

The repair or replacement of any warranted part otherwise eligible for warranty coverage may be excluded from such warranty coverage if MTD Consumer Group Inc demonstrates that the outdoor equipment has been abused, neglected, or improperly maintained, and that such abuse, neglect, or improper maintenance was the direct cause of the need for repair or replacement of the part. That notwithstanding, any adjustment of a component that has a factory installed, and properly operating, adjustment limiting device is still eligible for warranty coverage. Further, the coverage under this warranty extends only to parts that were present on the off-road equipment purchased.

The following emission warranty parts are covered (if applicable):

1. Fuel Metering System
 - Cold start enrichment system (soft choke)
 - Carburetor and internal parts (or fuel injection system)
 - Fuel pump
 - Fuel tank
2. Air Induction System
 - Air cleaner
 - Intake manifold
3. Ignition System
 - Spark plug(s)
 - Magneto ignition system
4. Exhaust System
 - Catalytic converter
 - SAI (Reed valve)
5. Miscellaneous Items Used in Above System
 - Vacuum, temperature, position, time sensitive valves and switches
 - Connectors and assemblies
6. Evaporative Control
 - Fuel hose
 - Fuel hose clamps
 - Tethered fuel cap
 - Carbon canister
 - Vapor lines

NOTE: If you require warranty service in Canada and your product was sold by MTD Products Limited within Canada to the retailer you purchased it from in Canada then the MTD Consumer Group Inc portion of this warranty will be honored by MTD Products Limited in Canada.

050790CN Rev. B

9. Toute pièce de remplacement peut être utilisée pour l'entretien ou la réparation sous garantie et doit être fournie gratuitement au propriétaire. Ceci ne limite pas les obligations de garantie de MTD Consumer Group Inc.

10. Les pièces complémentaires ou modifiées qui ne sont pas exemptées par le « Air Resources Board » ne peuvent toutefois pas être utilisées. L'emploi de toute pièce complémentaire ou modifiée sera suffisant pour rejeter une demande d'application de la garantie en vertu de cet article. MTD Consumer Group Inc ne sera pas tenue, en vertu de cet article, de garantir les pièces garanties si leur défaut-lance a été causé par l'utilisation d'une pièce complémentaire ou modifiée non exemptée.

PIÈCES GARANTIES

La réparation ou le remplacement de toute pièce garantie, admissible à la garantie, peut être exclusif de celle-ci si MTD Consumer Group Inc peut prouver que l'équipement motorisé a fait l'objet d'abus, de négligence, d'un entretien incorrect ou si cet abus, cette négligence ou l'entretien incorrect a été causé(e) de façon directe, par la réparation ou le remplacement de la pièce. Nonobstant cette situation, tout ajustement d'une pièce équipée d'un dispositif de limitation correctement installé et en bon état de fonctionnement, demeure admissible à la garantie. De plus, cette garantie se prolonge seulement aux pièces qui étaient présentes sur le moteur hors route et sur l'équipement acheté

(1) Système de dosage du carburant

- Système d'enrichissement du carburant pour démarrages à froid
- Carburateur et pièces internes (ou le système d'injection)
- Pompe à carburant
- Réservoir à carburant

(2) Système d'admission de l'air

- Filtre à air
- Tubulure d'admission

(3) Système d'allumage

- Bougie(s)
- Système d'allumage à magnéto

(4) Système d'échappement

- Pot catalytique
- Soupape d'injection d'air secondaire pulvé (Soupape Reed)

(5) Divers articles utilisés dans le système ci-dessus

- Soupapes de dépression, thermocontacts, soupapes de positionnement et à action minutée et interrupteurs
- Raccords et ensembles

(6) Système d'évaporation

- Canalisations d'essence
- Colliers pour canalisations d'essence
- Bouchon d'essence attaché
- Cartouche à charbon actif
- Canalisations pour les vapeurs

REMARQUE: MTD Products Limited honorerà la portion de cette garantie offerte par MTD Consumer Group Inc. si vous avez besoin d'un service couvert par la garantie au Canada et si votre produit a été produit au Canada et si vous avez acheté au Canada.

1. Toute pièce garantie, pour laquelle les instructions écrites fournies ne prévoient pas le remplacement dans le calendrier des entretiens requis, est garantie pour la période de garantie spécifiée ci-dessus. Si une telle pièce tombe en panne pendant la période de garantie, elle sera réparée ou remplacée par MTD Consumer Group Inc conformément au paragraphe (4) ci-dessus. Toute pièce réparée ou remplacée en vertu de la garantie est garantie pour le solde de la période de garantie.
2. Toute pièce garantie, pour laquelle les instructions écrites prévoient seulement une inspection régulière, est garantie pour la période de garantie spécifiée dans le paragraphe ci-dessus. Toute pièce réparée ou remplacée en vertu de la garantie est garantie pour le solde de la période de garantie.
3. Toute pièce garantie, pour laquelle les instructions prévoient le remplacement dans le cadre d'un entretien requis, est garantie pour la période précédant le premier remplacement prévu. Si la pièce tombe en panne avant le premier intervalle de remplacement prévu, la pièce sera réparée ou remplacée par MTD Consumer Group Inc conformément au paragraphe (4) ci-dessus. Toute pièce réparée ou remplacée sous garantie est garantie pour le solde de la période de garantie avant le premier intervalle de remplacement prévu de la pièce.
4. La réparation ou le remplacement de toute pièce garantie en vertu de la garantie énoncée dans cet article doit être effectuée(e) par une station technique agréée, sans frais pour le propriétaire.
5. Nonobstant les termes énoncés, les services ou réparations sous garantie doivent être effectués dans tous les centres de distribution/concessionnaires MTD Consumer Group Inc autorisés à entretenir les moteurs ou l'équipement en question.
6. Les diagnostics permettant d'établir qu'une pièce garantie est défectueuse doivent être effectués sans frais pour le propriétaire de l'équipement motorisé, à condition d'être réalisés par une station technique autorisée à offrir les services sous garantie.
7. MTD Consumer Group Inc est tenue responsable des dégâts aux autres pièces du moteur ou de l'équipement susceptibles d'avoir été causés par la panne sous garantie d'une pièce garantie.
8. MTD Consumer Group Inc s'engage à conserver un stock de pièces garanties suffisant pour satisfaire la demande prévue pour ces pièces pendant la période de garantie de la machine stipulée ci-dessus.

PROTECTION OFFERTE PAR LA GARANTIE CONCERNANT LES ÉMISSIONS

MTD Consumer Group Inc. garantit à l'acheteur au détail initial et à chaque acheteur successif (1) que la machine a été conçue, construite et équipée conformément à tous les règlements applicables ; et (2) qu'elle est exempte de tout vice de matière et de fabrication susceptible de causer la défaillance d'une pièce garantie pour une période de deux ans.

La période de garantie commence le jour où la machine est livrée à l'acheteur au détail initial ou à sa mise en service initiale. Sous réserve des conditions et exclusions ci-dessus, la garantie des pièces du système antipollution sera interprétée comme suit :

Le propriétaire de l'équipement motorisé doit toutefois savoir que MTD Consumer Group Inc peut refuser d'honorer la garantie l'équipement motorisé ou l'une quelconque de ses pièces à fait l'objet d'abus, de négligence, d'un entretien incorrect ou de modifications non approuvées. Le propriétaire de l'équipement motorisé doit toutefois savoir que MTD Consumer Group Inc peut refuser d'honorer la garantie l'équipement motorisé en vertu de cette garantie, adressez-vous au Services technique de MTD Consumer Group Inc. sous garantie devraient être effectuées dans un délai raisonnable ne dépassant pas 30 jours. Pour toute question concernant vos droits et responsabilités en vertu de cette garantie, appelez le 1-800-800-7310 ou visitez <http://support.mtdproducts.com>.

Aux États-Unis : appelez le 1-800-668-1238 ou visitez <http://www.mtdcanada.com>

RESPONSABILITÉS DU PROPRIÉTAIRE

Le propriétaire de l'équipement motorisé est tenu de respecter le calendrier des entretiens requis énoncés dans la notice d'utilisation. MTD Consumer Group Inc ne peut pas refuser les réclamations sous garantie uniquement à cause de l'absence de reçus.

GARANTIE DU FABRICANT

Le système antipollution est garanti pour une période de deux ans. Toute pièce annexe du système antipollution jugée défectueuse sera réparée ou remplacée par MTD Consumer Group Inc.

cas de problème couvert par la garantie.

MTD Consumer Group Inc s'engage à réparer gratuitement votre machine, y compris les frais de diagnostic, les pièces et la main d'œuvre, en raccords et autres pièces annexes du système antipollution.

Le système antipollution peut inclure les pièces suivantes : carburateur, système d'injection du carburant, système d'allumage, pot catalytique, réservoirs, canalisations et bouchons d'essence, soupapes, cartouches absorbantes des vapeurs d'essence, filtres, canalisations, colliers, entretien incorrect.

C'est avec plaisir que California Air Resources Board (CARB), la United States Environmental Protection Agency et MTD Consumer Group Inc. route construits en 2013-2014. En Californie, l'équipement hors route ne doit être conçu, construit et équipé conformément aux normes antipollution strictes de l'état. (Ailleurs aux États-Unis, l'équipement hors route ne doit être conçu, construit et équipé conformément aux normes similaires établies par U. S. EPA). MTD Consumer Group Inc. doit garantir le système antipollution de votre équipement hors route pour la durée stipulée ci-dessus, à condition que l'équipement hors route n'ait pas fait l'objet d'abus, de négligence ou d'un

Droits et obligations du propriétaire en vertu de la garantie Déclaration de garantie du système antipollution en Californie

MOTEUR	FILTRE À AIR	BOUGIE	CAPUCHON DE RÉSERVOIR DE CARBURANT	CLÉ	FILTRE À L'ESSENCE
165-SUC	N/A	951-10292	951-10649A	731-05632	951-10652
170-COA	951-10794	951-10292	951-10917A	N/A	951-10652
170-CU	951-10794	951-10292	951-10917A	N/A	951-10652
170-DU	951-10794	951-10292	951-10917A	N/A	951-10652
170-LO	951-10794	951-10292	951-10917A	N/A	951-10652
170-TOB	951-10794	951-10292	951-10917A	N/A	951-10652
170-VOB	951-10794	951-10292	951-10917A	N/A	951-10652
170-VO	951-10794	951-10292	951-10917A	N/A	951-10652
170-VU	951-10794	951-10292	951-10917A	N/A	951-10652
170-LU	951-10794	951-10292	951-10917A	N/A	951-10652
170-TU	951-10794	951-10292	951-10917A	N/A	951-10652
265-JU	N/A	951-10292	951-10300	731-05632	951-10358
265-SU	N/A	951-10292	951-10300	731-05632	951-10358
270-JU	N/A	951-10292	951-10649A	731-05632	951-10358
270-SUA	N/A	951-10292	951-10649A	731-05632	951-10358
270-VO	951-10794	951-10292	951-10649A	731-05632	951-10358
270-VU	951-10794	951-10292	951-10649A	731-05632	951-10358
365-SUB	N/A	951-10292	951-10649A	731-05632	951-10652
370-JUA	N/A	951-10292	951-10649A	731-05632	951-10358
370-SUC	N/A	951-10292	951-10649A	731-05630	951-10652

REMARQUE: Cette notice d'utilisation présente les caractéristiques de plusieurs modèles. Les caractéristiques mentionnées et/ou représentées dans cette notice ne s'appliquent pas nécessairement à tous les modèles. Le fabricant se réserve le droit de modifier les caractéristiques, les dessins et l'équipement proprement dit sans préavis ni obligation.

REMARQUE: Vous pouvez télécharger un livret contenant la liste complète des pièces détachées adressées-vous au «Service après-vente» à la page 2. Préparez le numéro de modèle et le numéro de série de votre machine. Vous les trouverez sur la plaque signalétique qui se trouve sous le siège. Voir les renseignements qui se trouvent à la page 2 pour localiser les numéros de modèle et de série de votre machine.

Problème	Cause	Solution
Le moteur ne démarre pas.	<ol style="list-style-type: none"> 1. Le moteur est noyé en raison d'un amorçage répété. 2. Le fil de la bougie est débranché. 3. Le réservoir de carburant est vide ou l'essence est éventée. 4. Le volet de départ n'est pas utilisé. 5. La bougie est défectueuse. 6. L'obturateur est en position Arrêt. (le cas échéant) 	<ol style="list-style-type: none"> 1. Attendez 10 minutes au moins avant de remettre en marche. 2. Branchez le fil de la bougie. 3. Faites le plein avec une essence propre et fraîche. 4. Fermez le volet de départ. 5. Nettoyez et ajustez l'écartement ou remplacez la bougie. 6. Placez l'obturateur à la position Rapide/ Marche. (le cas échéant)
Le moteur tourne de façon irrégulière.	<ol style="list-style-type: none"> 1. Le fil de la bougie est desserré. 2. La bougie est endommagée, défectueuse ou l'écartement est incorrect. 3. L'essence est éventée. 4. Le volet de départ est fermé. 5. Présence d'eau ou de saleté dans le système. 	<ol style="list-style-type: none"> 1. Branchez et serrez le fil de la bougie. 2. Ajustez l'écartement de la bougie ou remplacez-la. 3. Faites le plein avec une essence propre et fraîche. 4. Fermez le volet de départ. 5. Videz le réservoir de carburant. Faites le plein avec une essence propre et fraîche.
Le moteur surchauffe	<ol style="list-style-type: none"> 1. Le niveau d'huile est bas. 	<ol style="list-style-type: none"> 1. Versez la quantité d'huile à moteur recommandée.

Remisage hors saison



ATTENTION : Le carburateur peut être endommagé si un agent de stabilisation du carburant, comme STA-BIL, n'a pas été utilisé ou si le réservoir n'a pas été complètement vidé en laissant tourner le moteur jusqu'à panne d'essence avant l'entreposage hors saison. Ces dégâts ne seront pas couverts par la garantie du fabricant.

Toute essence remise plus de 30 jours doit être traitée à l'achat avec un agent de stabilisation du carburant, comme STA-BIL[®], pour empêcher toute détérioration et toute formation de gomme dans l'essence et dans le système d'alimentation. Le remisage incorrect de l'essence peut causer un démarrage difficile ou impossible, de mauvaises performances ou faire caler le moteur. Si l'essence dans le moteur se détériore pendant le remisage, il sera peut-être nécessaire de faire examiner, et même remplacer, le carburateur et les autres pièces par une station technique. Videz le carburant du réservoir en laissant tourner le moteur jusqu'à ce qu'il tombe en panne d'essence.



AVERTISSEMENT: Ne laissez jamais un moteur en marche sans surveillance.

2. Changez l'huile. Voir la section « Vidange d'huile » plus haut dans ce chapitre.
3. Retirez la bougie et versez environ 15 ml d'huile à moteur dans le cylindre. Remplacez la bougie et faites tourner le moteur lentement pour bien répartir l'huile.
4. Retirez les débris d'herbe et autres qui se trouvent autour du moteur, sous le dispositif de protection, aux alentours du silencieux. Retouchez toute écaille de peinture et recouvrez les parties susceptibles de rouiller avec une légère couche d'huile.
5. Remisez la machine dans un local propre, sec et bien aéré, loin de tout appareil à veilleuse ou flamme nue (calorifère, chauffe-eau ou sèche-linge). Évitez tout endroit où un moteur électrique ou des outils électriques peuvent produire des étincelles sont utilisés.
6. Dans la mesure du possible, évitez de remiser la machine dans un local très humide qui encouragera la rouille et la corrosion.
7. Placez le moteur sur une surface plane car toute inclinaison risque de causer une fuite d'huile ou d'essence.

Lubrification de l'alésage du cylindre



AVERTISSEMENT i En lubrifiant l'alésage du cylindre, il est possible que le carburant soit projeté du trou de la bougie. Pour éviter tout risque de blessure grave causée par un incendie, procédez comme suit :

1. Débranchez le fil de la bougie et éloignez-le de celle-ci.

- Éloignez le fil de la bougie de toutes les pièces métalliques car un amorçage d'arc pourrait se produire.

- Attachez soigneusement le fil de la bougie à la tige de mise à la terre, s'il y en a une.

- Débranchez la batterie à la borne négative en premier si le moteur est équipé d'un démarreur électrique à C.C.

- Placez les commutateurs du moteur à la position « OFF ».

- Enlevez la clé d'allumage s'il y en a une.

2. Débranchez la bougie.

3. Vaporisez 1 once (30 ml) d'huile à moteur propre dans le trou de la bougie.

4. Recouvrez le trou de la bougie avec un chiffon pour empêcher le carburant de s'échapper quand vous tirez sur la corde du démarreur.

REMARQUE : Si le moteur est équipé d'un démarreur à lanceur, passez au paragraphe 5. Si le moteur est équipé d'un démarreur électrique, passez au paragraphe 6.

5. Saisissez la poignée de la corde du démarreur.

- Tirez lentement mais fermement sur la corde.

- Répétez une fois. Ceci distribue l'huile dans le cylindre pour éviter toute corrosion pendant l'entreposage.

- Passez au paragraphe 7.

6. Enfoncez le bouton du démarreur ou tournez la clé d'allumage à la position « START ». Relâchez immédiatement le bouton du démarreur ou tournez la clé d'allumage à la position « OFF ». Ceci distribue l'huile dans le cylindre pour éviter toute corrosion pendant l'entreposage.

7. Enlevez le chiffon qui bouche le trou de la bougie.

8. Installez la bougie.

9. Débranchez le fil de la bougie de la tige de mise à la terre.

10. Branchez le fil de la bougie sur celle-ci.

Huile

Faites une vidange d'huile si elle n'a PAS été faite pendant les 3 derniers mois. Voir la section « Vérification et vidange de l'huile » plus haut dans ce chapitre.

Canalisations d'essence

Traitez le carburant comme suit pour l'empêcher de s'évaporer et éviter les problèmes de carburateur.

REMARQUE : Appliquez toujours le rapport de dosage du mélange indiqué sur le contenant de l'agent de stabilisation de l'essence. Sinon, vous risquez d'endommager l'équipement.

REMARQUE : Il n'est PAS nécessaire de vider le carburant stabilisé du carburateur.

Traitement du carburant

1. Ajoutez l'agent de stabilisation du carburant, comme **STA-BIL**, conformément aux instructions du fabricant.

2. Laissez le moteur tourner pendant au moins 10 minutes après l'addition de l'agent de stabilisation pour lui permettre d'atteindre le carburateur.

AVERTISSEMENT i N'entreposez jamais le moteur dans un bâtiment où une source d'allumage potentielle existe (radiateur, sèche-linge, moteur électrique, etc.), s'il reste du carburant dans le réservoir. Le non respect de cette consigne peut entraîner une explosion et causer des blessures graves ou fatales.

REMARQUE : Au lieu d'utiliser un agent de stabilisation, vous pouvez vider le carburant de la façon décrite plus bas dans la section « Entreposage prolongé – Vidange du carburant ».

Entreposage prolongé

Vidange du carburant

REMARQUE : Éliminez les débris qui se sont accumulés sur le moteur avant de vider le carburant du carburateur.

REMARQUE : Si le carburant a été préparé pour un entreposage à court terme, il n'est PAS nécessaire de vider le carburant contenant un agent de stabilisation du carburateur.

AVERTISSEMENT i Pour éviter toute blessure grave ou même mortelle, ne déversez pas le carburant du moteur et ne le siphonnez pas à la bouche.

1. Pour éviter tout risque de blessure causée par un incendie, videz le réservoir en le laissant tourner jusqu'à ce qu'il tombe en panne d'essence. N'essayez PAS de Déverser le carburant du moteur.

2. Laissez tourner le moteur jusqu'à ce que tout le carburant ait été utilisé.

AVERTISSEMENT i Ne laissez JAMAIS le moteur tourner sans surveillance et ne faites JAMAIS tourner un moteur dans un endroit clos.

3. Procédez à l'entretien de l'alésage du cylindre conformément aux instructions suivantes.

Déblayage de la neige du moteur

Après chaque utilisation de l'équipement, éliminez la neige des endroits suivants :

- Capuchon/jauge à huile
- Bouchon d'essence
- Démarreur à lanceur/Filtre ??? du volant
- Tringlerie
- Dispositifs de protection
- Raccord de la bougie (s'il est visible)
- Commutateur du démarreur électrique le cas échéant (Voir la notice d'utilisation).

REMARQUE : Consultez la notice d'utilisation pour localiser le bouchon d'essence et la manette de commande.

1. Le déblayage de la neige facilite l'utilisation de la corde du démarreur à lanceur et réduit le risque de contamination par l'eau quand le bouchon d'essence est desserré.

REMARQUE : Pour plus de renseignements sur les démarreurs à lanceur, consultez le chapitre « Moteurs à

démarrureur à lanceur » dans le chapitre « Utilisation » de cette notice d'utilisation.

Transport du moteur

AVERTISSEMENT : Ne transportez JAMAIS le moteur à l'intérieur d'un autre véhicule ou dans une remorque fermée si le réservoir contient de l'essence. Les vapeurs d'essence peuvent s'enflammer.

AVERTISSEMENT : S'il y a du carburant dans le réservoir, fermez la soupape de carburant, s'il y en a dans un véhicule ouvert (remorque ouverte ou saison d'une camionnette).

Si vous n'avez pas de véhicule ou de remorque ouverte et que vous devez transporter le moteur en position verticale dans un véhicule fermé, procédez comme suit pour vider le réservoir avant le transport.

1. Videz le réservoir en utilisant un appareil d'aspiration spécifique pour siphonner l'essence.

AVERTISSEMENT : Ne déversez pas le carburant du moteur et ne le siphonnez pas à la bouche.

2. Videz le carburant dans un contenant rouge homologué pour l'essence en faisant attention de ne rien renverser.
3. Laissez tourner le moteur jusqu'à ce que qu'il tombe en panne d'essence.

AVERTISSEMENT : Ne laissez JAMAIS le moteur tourner sans surveillance et ne faites JAMAIS tourner un moteur dans un endroit clos.

Entreposage du moteur

A court terme/saisonnier

Nettoyage du moteur

Si le moteur a fonctionné, laissez-le refroidir pendant au moins une demi-heure avant de le nettoyer.

Avant de nettoyer le moteur, enlevez le couvercle du carburateur et/ou l'habitacle de la souffluse. Éliminez les débris et la saleté des endroits suivants :

- Ailettes de refroidissement
- Filtre de l'admission d'air ou dispositif de protection du volant/démarrureur à lanceur
- Raccordement de la bougie
- Manettes de commande
- Tringlerie
- Dispositifs de protection
- Carburateur
- Tête

L'élimination des débris assure un refroidissement approprié du moteur, un régime correct et diminue les risques d'incendie.

IMPORTANT : Ne nettoyez pas le moteur avec un jet d'eau qui risque de contaminer l'essence. L'emploi d'un tuyau d'arrosage ou d'un équipement de lavage sous pression peut aussi forcer l'eau dans le filtre à air ou dans l'ouverture du silencieux, la faire pénétrer dans le cylindre et endommager le moteur.

AVERTISSEMENT : L'accumulation de débris autour du silencieux peut causer un incendie. Examinez et nettoyez avant chaque emploi de la machine.

Entreposage du carburant

AVERTISSEMENT : N'entrez jamais le moteur dans un bâtiment où une source d'allumage potentielle existe (radiateur, sèche-linge, moteur électrique, etc.) s'il reste du carburant dans le réservoir. Le non respect de cette consigne peut entraîner une explosion et causer des blessures graves ou mortelles.

REMARQUE : Si le carburant est entreposé dans le réservoir et/ou dans un contenant homologué pour l'essence pendant une période de 15 à 30 jours sans agent de stabilisation, préparez-le pour un entreposé à court terme/saisonnier. Voir la section «

REMARQUE : Si le carburant est entreposé plus longtemps (plus d'une saison) sans agent de stabilisation, il va se détériorer graduellement. De plus, s'il est entreposé dans le réservoir du moteur sans agent de stabilisation, des dépôts de gomme se formeront probablement dans le carburateur, les canalisations d'essence pourront se boucher et votre GARANTIE SERA ANNULÉE. Préparez le carburant pour un entreposé prolongé.

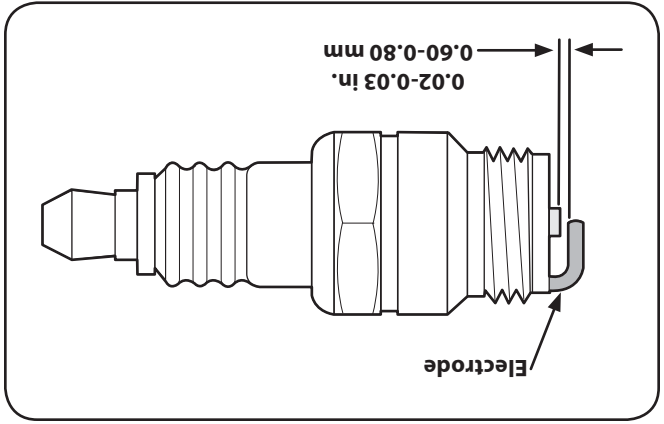


Figure 6-3

7. Vérifiez que la rondelle de la bougie est en bon état.
8. Filetez la bougie à la main pour éviter de déformer les filets.
9. Quand la bougie est bien installée, serrez-la avec une clé à bougie pour comprimer la rondelle.

REMARQUE : Serrez la bougie neuve en lui donnant un demi-tour quand elle est bien en place, pour comprimer la rondelle. Si la bougie est usagée, faites de 1/8e à 1/4 de tour quand la bougie est bien en place, pour comprimer la rondelle.

IMPORTANT : La bougie doit être serrée à fond. Une bougie mal serrée peut chauffer excessivement et endommager le moteur.

Entretien du filtre à air

REMARQUE : Les moteurs ne sont pas tous équipés d'un filtre à air, comme les moteurs installés sur souffleuses à neige. Entretenez-le filtre s'il y en a un.

Les filtres en papier ne peuvent pas être nettoyés et ils doivent être remplacés une fois par an toutes les 10 heures de fonctionnement, plus souvent dans des conditions très poussiéreuses.



AVERTISSEMENT : N'utilisez jamais d'essence ou des solvants à point d'éclair bas pour nettoyer la cartouche. Un incendie ou une explosion peut survenir.

IMPORTANT : Ne faites jamais fonctionner le moteur si le filtre à air n'est pas en place, car cela causera l'usure très rapide du moteur.

1. Enfoncez l'attache du couvercle du filtre à air et relevez le couvercle. Remplacez la cartouche en papier si elle est sale ou endommagée. Nettoyez le pré-filtre en mousse ou remplacez-le s'il est endommagé. Voir la Fig. 6-4.
2. Remplacez la cartouche en papier si elle est sale ou endommagée. Nettoyez la cartouche en mousse ou remplacez-la au besoin.
3. Pour nettoyer la cartouche en mousse, séparez-la de la cartouche en papier et lavez-la dans un mélange d'eau et de détergent. Laissez-la sécher à l'air complètement avant de l'utiliser à nouveau. Ne huilez pas la cartouche en mousse.

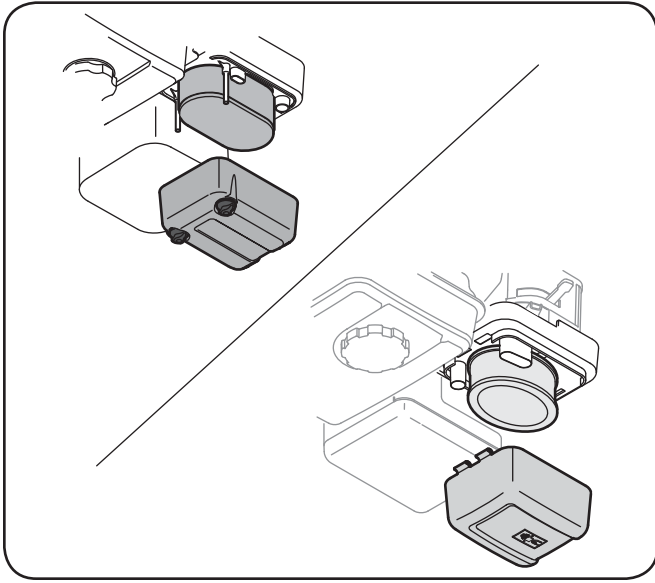


Figure 6-4

Réglages

N'effectuez PAS de réglages au moteur. Les réglages effectués à l'usine sont satisfaisants dans la plupart des situations. Adressez-vous à une station technique agréée en cas de besoin.

Carburateur

Si vous pensez que le carburateur doit être ajusté, adressez-vous à une station technique agréée. L'altitude jusqu'à 7000 pi (2134 m) n'a aucune influence sur les performances du moteur. Pour travailler à plus haute altitude, adressez-vous à une station technique agréée.

Alternateur (le cas échéant)

- Pour tout problème électrique lié à l'alternateur, comme :
- Un démarreur défectueux
 - Une batterie déchargée
 - Le remplacement de fusible
 - L'entretien/réparations à l'alternateur.

Régime du moteur



AVERTISSEMENT : Pour éviter toute blessure grave ou mortelle, ne modifiez pas le régime du moteur. Toute modification du réglage du régulateur du moteur peut causer l'emballement de celui-ci et le faire fonctionner à un régime dangereux. Ne modifiez JAMAIS les réglages du régulateur effectués à l'usine.



AVERTISSEMENT : Un régime du moteur supérieur à celui qui a été réglé à l'usine peut être dangereux et ANNULERA LA GARANTIE DU MOTEUR.

2. Vérifiez que le capuchon d'essence est en place et bien serré.
 3. Localisez le bouchon de vidange de l'huile s'il y en a un (voir la notice d'utilisation de l'équipement pour des instructions supplémentaires). Voir la Figure 6-2.
 4. Nettoyez les alentours du capuchon d'huile.
 5. Placez un récipient recyclable homologué sous le bouchon de vidange de l'huile, si présent.
 6. Retirez le bouchon de vidange de l'huile. Voir la Fig. 6-2.
- AVERTISSEMENT :** L'huile à moteur usagée peut causer le cancer de la peau en cas de contact répété et prolongé avec la peau. Ceci est peu probable, sauf en cas de manipulation quotidienne de l'huile. Il est toujours recommandé de se laver les mains avec de l'eau et du savon dès que possible après tout contact.
7. Videz l'huile en inclinant le moteur pour que l'huile s'écoule du point le plus bas du moteur (Voir la notice d'utilisation).
 8. Videz l'huile dans un récipient recyclable homologué.
- REMARQUE :** Veuillez disposer de l'huile usagée selon les règlements protégeant l'environnement. Nous vous conseillons de remettre l'huile usagée, dans un contenant fermé, à une station service qui pourra la recycler. Ne la jetez pas dans les ordures et ne la déversez pas sur le sol.
 9. Resserrez le capuchon/jauge à huile.
 10. Nettoyez les alentours du bouchon de vidange de l'huile.
 11. Retirez le capuchon/jauge à huile.
 12. Faites le plein avec l'huile recommandée. Voir la partie « Caractéristiques techniques de l'huile et du carburant » dans le chapitre « Montage » de cette notice d'utilisation.

REMARQUE : Ne remplissez pas excessivement car l'huile pourrait se répandre dans le moteur et l'endommager.

REMARQUE : Ne laissez pas le niveau d'huile tomber en dessous du repère « L » sur la jauge à huile. Ceci pourrait causer un mauvais fonctionnement de l'équipement et endommager le moteur.

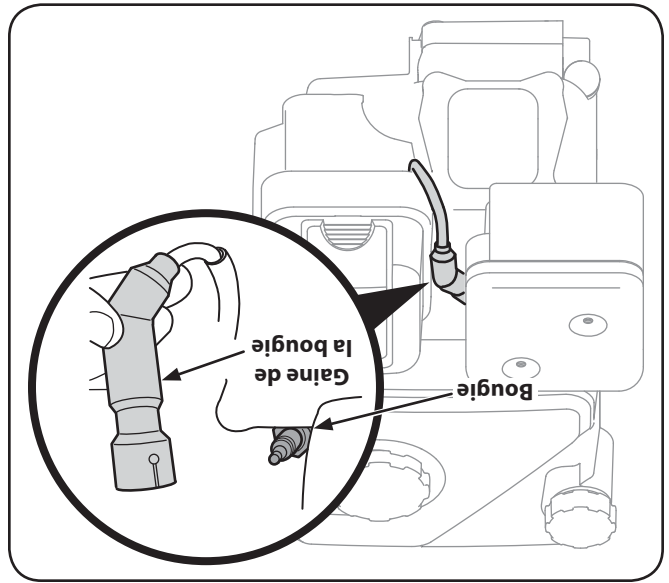


Figure 6-1

4. Examinez soigneusement la bougie. Jetez-la si elle paraît usée ou si l'isolateur est fendu ou écaillé. Nettoyez la bougie avec une brosse à bougie si vous voulez l'utiliser à nouveau.
5. Nettoyez la bougie avec une brosse métallique si vous voulez l'utiliser à nouveau.
6. Mesurez l'écartement de la bougie avec une jauge d'écartement. Ajustez au besoin en pliant l'électrode de côté. Voir la Fig. 6-3. L'écartement doit mesurer entre 0,030 (0,76 mm).



AVERTISSEMENT : Le moteur, le silencieux et la bougie seront chauds si le moteur vient d'être arrêté. Faites très attention de ne pas les toucher jusqu'à ce qu'ils aient refroidi.

1. Dégagez la gaine de la bougie
 2. Nettoyez les alentours de la bougie.
 3. Utilisez une clé à bougie pour la démonter.
- Vérifiez la bougie toutes les 100 heures de fonctionnement. Pour assurer le bon fonctionnement du moteur, l'écartement de la bougie doit être correct et la bougie ne doit pas être encrassée.

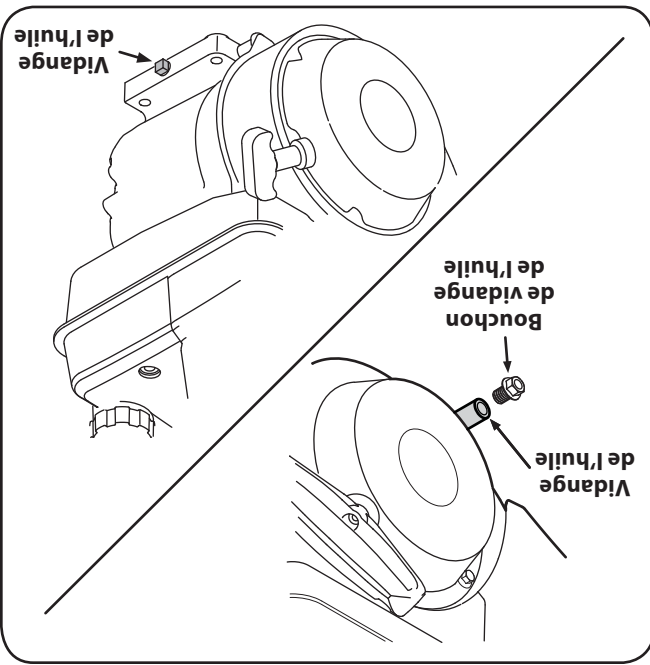


AVERTISSEMENT : Ne vérifiez pas l'état de la bougie si celle-ci est débranchée. Ne faites pas tourner le moteur si la bougie n'est pas installée.

Entretien de la bougie

13. Essayez toutes les éclaboussures d'huile.
14. Niveau d'huile (Voir le chapitre « Montage »).
15. Resserrez le capuchon/jauge à huile sans la visser.
16. Eloignez le fil de la bougie de la tige de mise à la terre, s'il y en a une.
17. Rebranchez soigneusement le fil de la bougie sur celle-ci.

Figure 6-2



- REMARQUE :** N'utilisez pas la poire d'amorçage pour remettre un moteur chaud en marche après un arrêt bref. Vous risquez de noyer le moteur et de provoquer une panne de l'équipement.
- REMARQUE :** Pour faire redémarrer un moteur chaud après un bref arrêt, placez la commande du moteur (s'il y en a une) à la position « Fast » et placez la commande du volet de départ à la position « NO CHOKE ».
- AVERTISSEMENT !** La corde du démarreur peut revenir brusquement vers le moteur lorsque vous la tirez, ce qui peut causer des blessures graves. Pour éviter ce problème, procédez comme suit :
6. Saisissez la poignée de la corde du démarreur.
 - Tirez lentement sur la corde jusqu'à ce que vous sentiez une légère résistance.
 - Continuez à tirer sur la corde d'un mouvement rapide.
 - Ramenez la corde lentement à sa position initiale.

REMARQUE : Suivez les instructions ci-dessous pour éviter de causer tout dégât au démarreur à l'ancure.

REMARQUE : Si la poignée du démarreur à l'ancure est gelée et ne peut fonctionner, procédez comme suit :

 - Sortez le maximum de corde du démarreur.
 - Lâchez la poignée du démarreur et laissez-la revenir contre le démarreur pour briser la glace. À ne faire que si le démarreur est gelé.
 7. Si le moteur ne démarre pas après trois tentatives, répétez les paragraphes 1 à 7 et essayez à nouveau.
 - 8. Quand le moteur démarre :
 - Déplacez la commande du volet de départ à la position ½ « CHOKE » jusqu'à ce que le moteur tourne régulièrement.
 - Déplacez ensuite la commande du volet de départ à la position « NO CHOKE ».
 - 9. Déplacez la commande du moteur (s'il y en a une) à la position voulue dans la fourchette « RUN ».

REMARQUE : Si le moteur commence à hésiter quand la commande du volet de départ quitte la position « NO CHOKE » :

 - Remplacez temporairement la commande du volet de départ à la position « FULL CHOKE ».
 - Déplacez ensuite la commande du volet de départ à la position ½ « CHOKE » jusqu'à ce que le moteur tourne régulièrement.
 - Enfin, déplacez la commande du volet de départ à la position « NO CHOKE ».
 10. Si le moteur ne démarre pas après trois tentatives à la position « NO CHOKE », déplacez la commande du volet de départ à la position « FULL CHOKE » et mettez le moteur en marche.
 11. Si le moteur ne démarre pas après l'exécution des paragraphes 1 à 11, adressez-vous à une station technique agréée. N'essayez pas de déterminer la cause du problème autrement.

- Déplacez la commande du volet de départ à la position 1/2 « CHOKE » jusqu'à ce que le moteur tourne régulièrement.
 - Déplacez-la ensuite à la position « NO CHOKE ».
 - 9. Déplacez la commande du moteur (s'il y en a une) à la position voulue dans la fourchette « RUN ».
- REMARQUE :** Si le moteur commence à hésiter quand la commande du volet de départ quitte la position « NO CHOKE » :
- Réplacez temporairement la commande du volet de départ à la position « FULL CHOKE ».
 - Déplacez ensuite la commande du volet de départ à la position 1/2 « CHOKE » jusqu'à ce que le moteur tourne régulièrement.
 - Enfin, déplacez la commande du volet de départ à la position « NO CHOKE ».
- Si le moteur cale quand la commande du volet de départ est placée à la position « NO CHOKE », répétez les paragraphes 5 à 10 pour remettre le moteur en marche.
10. Si le moteur ne démarre pas après trois tentatives à la position « NO CHOKE », placez la commande du volet de départ à la position « FULL CHOKE » et mettez le moteur en marche.
- REMARQUE :** Débranchez toujours le cordon électrique de la prise de courant en premier, puis débranchez-le de l'interrupteur sur le moteur.
11. Débranchez le cordon électrique de la prise de courant.
12. Débranchez le cordon électrique de l'interrupteur sur le moteur.
13. Si le moteur ne démarre pas après l'exécution des paragraphes 1 à 12, adressez-vous à une station technique agréée. N'essayez pas de déterminer la cause du problème autrement.
- ### Moteurs équipés d'un démarreur à lancer
- Si le moteur est équipé d'un démarreur électrique, voyez la section « Moteurs équipés d'un démarreur électrique » plus haut dans le chapitre.
- AVERTISSEMENT !** Ne tirez pas sur la corde du démarreur quand le moteur tourne. Votre GARANTIE POURRAIT ÊTRE ANNULÉE.



- 1. Pour éviter tout empoisonnement par monoxyde de carbone, utilisez le moteur à l'extérieur seulement et dans un endroit bien aéré.
 - 2. Vérifiez que la soupape de carburant, s'il y en a une, (Voir les instructions dans la notice d'utilisation de l'équipement) est ouverte et que tous les interrupteurs sont à la position « On ».
 - 3. Placez la commande du moteur, s'il y en a une, à la position « Fast ».
 - 4. Le cas échéant, placez la commande du volet de départ à la position « FULL CHOKE ».
 - 5. Serrez la poire de l'amorçeur pendant une seconde complète chaque fois que vous la compressez.
 - Assurez-vous de bien recouvrir l'évent avec le pousse-pouce.
 - Comprimez la poire de 3 à 5 fois.
- IMPORTANT :** N'utilisez pas un démarreur électrique pendant plus de 5 secondes lors de chaque tentative.
- REMARQUE :** N'utilisez pas la poire d'amorçage pour remettre un moteur chaud en marche après un bref arrêt. Vous risquez de noyer le moteur et de provoquer une panne de l'équipement.
- REMARQUE :** Pour faire redémarrer un moteur chaud après un bref arrêt, placez la commande du moteur (s'il y en a une) à la position « Fast » et placez la commande du volet de départ à la position « NO CHOKE ».
7. Poussez sur le bouton du démarreur pour mettre le moteur en marche.
- REMARQUE :** Si le moteur ne démarre pas après trois tentatives, répétez les paragraphes 1 à 8.
8. Quand le moteur démarre :
- Lâchez le bouton du démarreur.



1. Pour éviter tout empoisonnement par monoxyde de carbone, utilisez le moteur à l'extérieur seulement et dans un endroit bien aéré.
2. Vérifiez que la soupape de carburant, s'il y en a une (Voir les instructions dans la notice d'utilisation de l'équipement) est ouverte et que tous les interrupteurs sont à la position « On ».
- REMARQUE :** Si le moteur est équipé d'un démarreur à batterie de 12 V, passez au paragraphe 5 ci-dessous.
3. Branchez une rallonge dans la prise aménagée sur le moteur. Branchez l'autre extrémité de la rallonge dans une prise à 3 fiches, de 120 volts C.A. mise à la terre et placée dans un endroit bien aéré.
- ATTENTION :** Bien que la longueur de la rallonge puisse varier, la rallonge elle-même doit être conçue pour 15 A à 125 volts, mise à la terre et classifiée pour utilisation à l'extérieur.
- IMPORTANT :** Branchez toujours le cordon électrique dans l'interrupteur sur le moteur en premier, puis branchez-le dans la prise de courant.
4. Placez la commande du moteur, s'il y en a une, à la position « Fast ».
5. Le cas échéant, placez la commande du volet de départ à la position « FULL CHOKE ».
6. Serrez la poire de l'amorçeur pendant une seconde complète chaque fois que vous la compressez.
- Assurez-vous de bien recouvrir l'évent avec le pousse-pouce.
- Comprimez la poire de 3 à 5 fois.

IMPORTANT : N'utilisez pas un démarreur électrique pendant plus de 5 secondes lors de chaque tentative.

REMARQUE : N'utilisez pas la poire d'amorçage pour remettre un moteur chaud en marche après un bref arrêt. Vous risquez de noyer le moteur et de provoquer une panne de l'équipement.

REMARQUE : Pour faire redémarrer un moteur chaud après un bref arrêt, placez la commande du moteur (s'il y en a une) à la position « Fast » et placez la commande du volet de départ à la position « NO CHOKE ».

7. Poussez sur le bouton du démarreur pour mettre le moteur en marche.

REMARQUE : Si le moteur ne démarre pas après trois tentatives, répétez les paragraphes 1 à 8.

8. Quand le moteur démarre :

 - Lâchez le bouton du démarreur.

- a. Déterminez si votre domicile est équipé d'un système à 3 fils mis à la terre (G.F.I.) et en cas de doute, adressez-vous à un électricien diplômé.
- b. Si votre domicile n'est pas équipé d'un système à 3 fils mis à la terre (G.F.I.), N'UTILISEZ JAMAIS LE DÉMARREUR ÉLECTRIQUE.
- c. Si une prise murale à 3 fils mis à la terre et (G.F.I.) n'est pas disponible là où vous voulez utiliser le démarreur, faites-en installer une par un électricien diplômé AVANT D'UTILISER LE DÉMARREUR ÉLECTRIQUE.

Verification initiale et recommandations

concernant l'huile

IMPORTANT : Votre l'équipement peut ou ne peut pas avoir été expédié avec le plein d'huile. Vous devez, cependant, vérifier le niveau d'huile avant de faire fonctionner l'équipement. L'utilisation du moteur avec une quantité d'huile insuffisante peut gravement endommager le moteur et annuler la garantie. Par mesure de sécurité, et pour assurer une longue durée de vie à votre équipement, il est important de vérifier l'état du moteur avant de l'utiliser. Assurez-vous de bien l'entretenir et de réparer tout problème avant d'utiliser le moteur.

AVERTISSEMENT | Un moteur mal entretenu ou un problème non identifié peut causer une panne mortelle. qui peut entraîner une blessure grave ou même

Effectuez toujours une inspection avant toute utilisation du moteur et corrigez tout problème potentiel.

Vérifiez toujours les points suivants avant de mettre le moteur en marche :

1. Niveau du carburant (Voir le chapitre « Montage »).

2. Niveau d'huile (Voir le chapitre « Montage »).

3. Filtre à air, le cas échéant (Voir le chapitre « Entretien »).

4. Inspection générale. Vérifiez qu'il n'y a pas de fuite ou d'écoulement et que toutes les pièces sont bien serrées et ne sont pas endommagées.

5. Lisez la notice d'utilisation du moteur fournie avec l'équipement. Faites attention à toutes les recommandations et procédures à suivre avant de mettre le moteur en marche.

Mise en marche du moteur

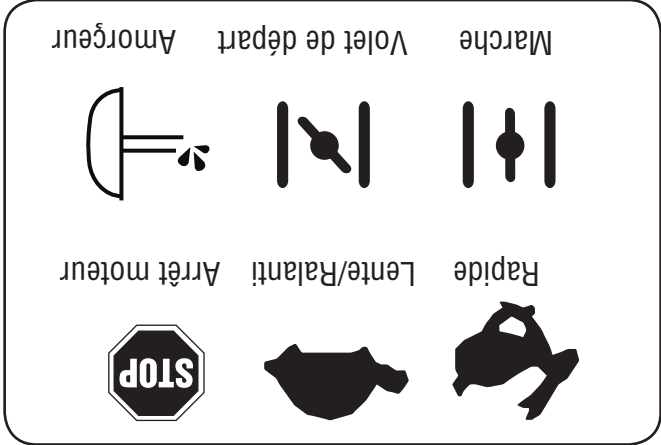
AVERTISSEMENT : N'approchez jamais les mains et les pieds des pièces en mouvement. N'utilisez pas de liquide d'allumage sous pression. Les vapeurs sont inflammables.

AVERTISSEMENT | Le moteur doit être mis en marche par un adulte. Autorisez un enfant à mettre le moteur en marche seulement si un adulte a déterminé qu'il a suffisamment d'expérience et peut effectuer cette tâche en toute sécurité.

AVERTISSEMENT | Si vous ne pouvez pas mettre le moteur en marche après avoir suivi les instructions fournies dans cette notice d'utilisation, adressez-vous à une station technique agréée. Pour éviter toute blessure grave ou tout dégât au moteur, n'essayez pas de mettre le moteur en marche d'une autre façon. Par exemple :

- N'utilisez PAS un liquide de démarrage.
- NE vaporisez PAS des vapeurs inflammables dans le carburateur.

- NE versez PAS de liquides inflammables dans le carburateur.
- N'utilisez PAS le moteur et NE tirez PAS sur la corde du démarreur si la bougie n'est pas installée. Le carburant peut s'échapper par le trou de la bougie et s'enflammer.



REMARQUE : Laissez le moteur s'échauffer pendant quelques minutes. Il n'atteindra en effet sa puissance maximale qu'à la température de fonctionnement normale.

Familiarisez-vous avec les symboles représentés à la Figure 5-1 avant d'essayer de mettre le moteur en marche. Si ce moteur est contrôlé à distance par l'équipement sur lequel il est installé, assurez-vous aussi de lire attentivement la notice d'utilisation de l'équipement.

REMARQUE : Les instructions de démarrage suivantes concernent plusieurs moteurs. Déterminez tout d'abord le type de démarreur installé sur le moteur pour localiser les instructions correspondantes. Si votre moteur est équipé d'un démarreur électrique, reportez-vous la section « Moteurs équipés d'un démarreur électrique ». Dans le cas d'un démarreur à lancer, voyez la section « Moteurs équipés d'un démarreur à lancer » plus loin dans le chapitre.

Moteurs équipés d'un démarreur électrique

Si le moteur est équipé d'un démarreur à lancer manuel, voyez la section « Moteurs équipés d'un démarreur à lancer » plus loin dans le chapitre.

AVERTISSEMENT : Ne tirez pas sur la poignée du démarreur quand le moteur tourne.

AVERTISSEMENT : Le démarreur électrique est équipé d'un cordon à 3 fils mis à la masse et d'une fiche à brancher dans une prise de C. A. normale de 120 volts. Il doit toujours être branché dans une prise à 3 fiches mise à la masse pour éviter tout risque de décharge électrique. Suivez attentivement toutes les instructions avant d'utiliser le démarreur électrique.

Obturbateur

Il permet de régler le régime du moteur et arrête celui-ci si la commande est placée à la position « STOP ».

Volet de départ

Le bouton du volet de départ ferme la plaque sur le carburateur et facilite le démarrage du moteur.

Vidange de l'huile

Le fait d'enlever le bouchon de vidange de l'huile permet de vider l'huile du moteur.

Capuchon/jauge d'huile

Enlevez le capuchon pour vérifier le niveau d'huile et pour faire le plein.

Capuchon du réservoir de carburant

Enlevez le capuchon pour faire le plein.

Poignée du démarreur

Tirez sur la poignée du démarreur pour démarrer le moteur.

Robinet d'arrêt carburant

Le cas échéant, est employé pour commander l'écoulement du carburant entre l'utilisation et le transport/stockage.

Amorceur

Le fait d'appuyer sur l'amorceur projette le carburant directement dans le carburateur du moteur pour faciliter les démarrages par temps froid.

Boîte de commutation électrique

Elle exige l'utilisation d'une rallonge à 3 fiches pour l'extérieur et une prise de courant de 120 volts.

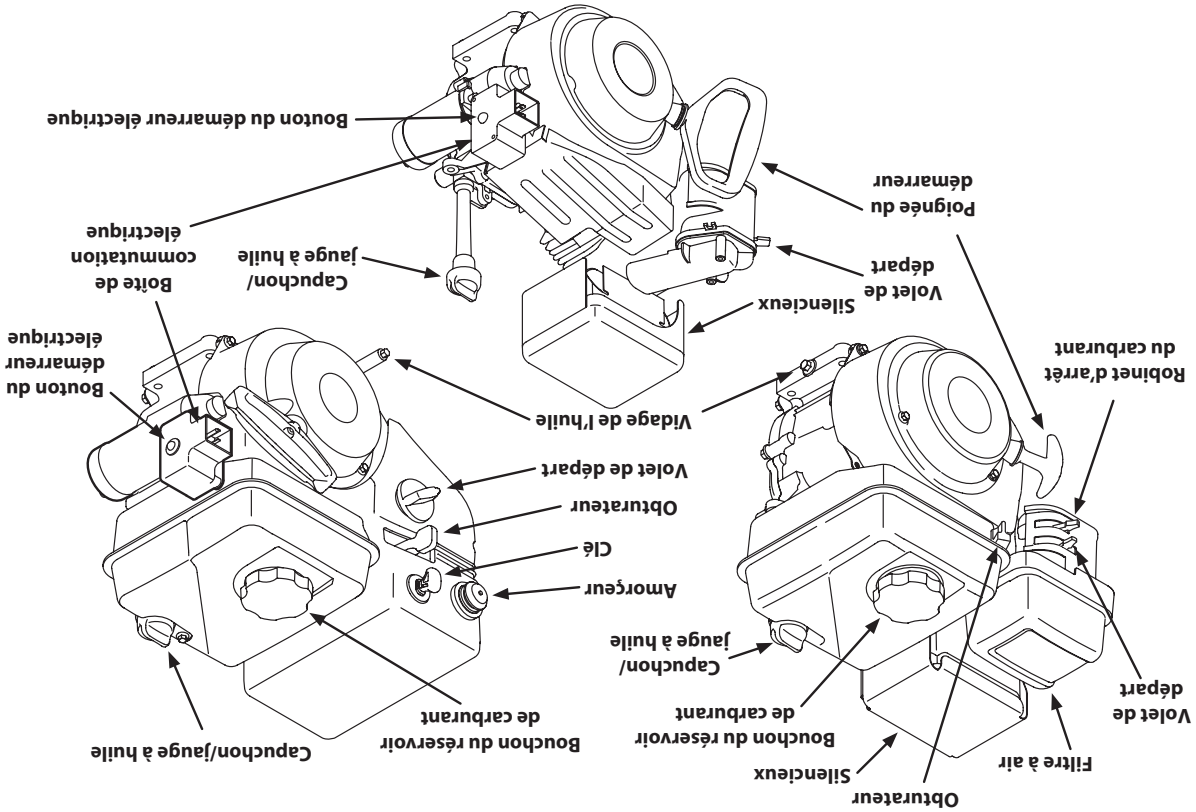
Bouton de démarrage électrique

Le fait d'appuyer sur le bouton de démarrage électrique enclenche le démarreur électrique du moteur s'il est branché dans une prise de courant de 120 volts.

Clé de contact

La clé de contact est en fait un dispositif de sécurité. Insérez la clé sans la tourner. Retirez la clé quand la machine n'est pas utilisée. **Important:** Sortez la clé à mi-distance pour arrêter le moteur. Faisant ainsi la casserez.

Figure 4-1





Plein d'essence

- Ne remplissez pas excessivement le réservoir (il ne doit pas y avoir d'essence dans le goulot de remplissage). Vérifiez ensuite que le bouchon est bien en place et serré à fond.
- Faites attention de ne pas renverser d'essence en faisant le plein. Les éclaboussures et les vapeurs d'essence peuvent s'enflammer. Vérifiez que les éclaboussures ont séché avant de mettre le moteur en marche.
- Évitez tout contact répété ou prolongé de l'essence avec la peau et ne respirez pas les vapeurs d'essence.

AVERTISSEMENT ! Un adulte doit faire le plein d'essence. Ne permettez JAMAIS à des enfants de faire le plein. Les vapeurs d'essence sont très inflammables et peuvent exploser. Elles peuvent se déplacer et s'enflammer si une étincelle ou une flamme se trouve même à plusieurs pieds. Pour éviter toute blessure grave ou mortelle, suivez les instructions ci-dessous.

- N'utilisez PAS d'essence contenant du plomb.
- L'essence doit être propre et fraîche. N'utilisez JAMAIS de l'essence qui reste de la saison précédente ou qui a été entreposée longtemps.
- Ne mélangez JAMAIS l'essence et l'huile.
- N'utilisez pas d'essence contenant du méthanol (alcool de bois).

1. Laissez le moteur refroidir pendant deux minutes avant de faire le plein.
 2. Placez le moteur à l'extérieur dans un endroit bien aéré.
 3. Nettoyez les alentours du capuchon du réservoir d'essence et dévissez-le.
 4. Utilisez un contenant rouge homologué pour l'ESSENCE pour faire le plein. Versez lentement et évitez de renverser de l'essence.
- REMARQUE** : Sur les réservoirs avec un indicateur de niveau de carburant, remplissez le réservoir jusqu'à ce que le carburant atteigne le repère « fuel full ». Voir la Figure 3-4. Tous autres réservoirs de carburant, remplissez le réservoir jusqu'à 1/2 po en dessous de la base du goulot de remplissage pour laisser de la place pour l'expansion du carburant. Prenez soin de ne pas remplir excessivement.
5. Remettez le capuchon en place et serrez-le bien. Essayez toute éclaboussure d'essence avant de remettre le moteur en marche. Si de l'essence a été renversée, ne mettez pas le moteur en marche. Déplacez l'équipement pour l'éloigner de l'essence renversée. Évitez de créer toute étincelle ou flamme avant que les vapeurs se soient dissipées.
 6. Vérifiez que la soupape de carburant, s'il en est, est bien ouverte.



Alimentation électrique

AVERTISSEMENT ! NE tirez PAS sur la corde du démarreur quand le moteur tourne. Votre GARANTIE POURRAIT ÊTRE ANNULÉE.

ATTENTION: Bien que la longueur de la rallonge puisse varier, la rallonge elle-même doit être conçue pour utilisation à l'extérieur.

REMARQUES : Branchez toujours d'abord le cordon électrique à la prise du moteur, puis branchez-le à la prise murale. Voir la Fig. 3-5.

Déterminez le type de prise de courant à laquelle vous allez brancher le cordon électrique avant de mettre le moteur en marche. Consultez la section « Moteurs équipés d'un démarreur électrique » dans le chapitre « Utilisation » de cette notice d'utilisation.

Figure 3-5

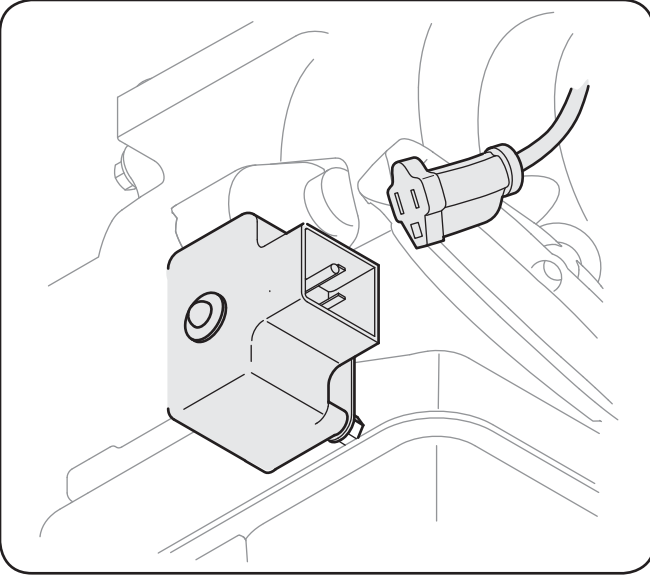
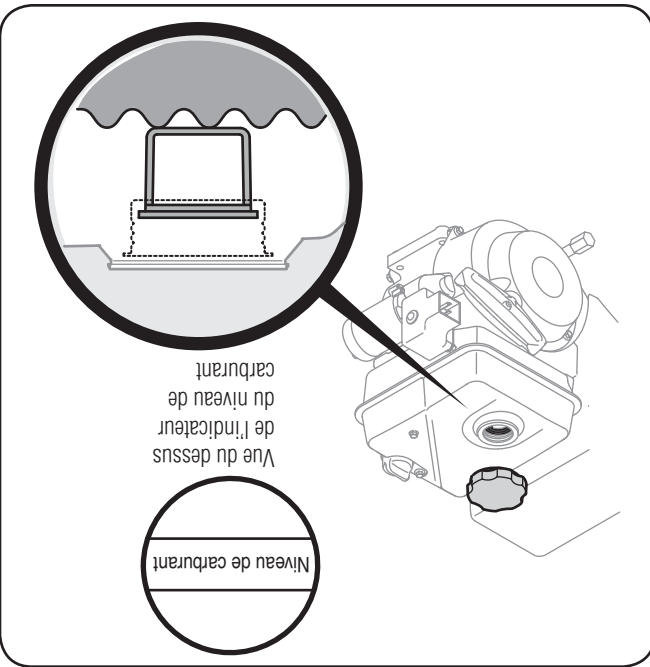


Figure 3-4



Remplissage du carter d'huile

1. Redressez le moteur en position verticale et mettez-le de niveau.

2. Enlevez le capuchon/jauge du goulot de remplissage de

l'huile en tournant dans le sens contraire des aiguilles d'une

montre et en soulevant la jauge hors du moteur. Essayez la

jauge avec un chiffon.

3. Enfoncez la jauge à huile dans le goulot de remplissage de

l'huile sans la visser. Sur les capuchons de remplissage de

l'huile d'un quart de tour, serrez en tournant le capuchon

de remplissage de l'huile dans le sens des aiguilles d'une

montre jusqu'à ce qu'il soit serré fermement.

REMARQUE : Certaines unités peuvent avoir une jauge

à filets. Dans ce cas, insérez le capuchon/jauge dans la

goulotte de remplissage de l'huile, mais ne le vissez pas

pour faire la vérification du niveau de l'huile.

4. Desserrez et enlevez le capuchon/jauge de la goulotte de

remplissage de l'huile. Prenez note de le niveau de l'huile,

si le niveau d'huile est en bas de le repère bas (L), ajoutez

lentement de l'huile jusqu'à ce que le niveau se trouve à

le repère haut (H). Voir la Figure 3-2 ou 3-3, selon celui qui

s'applique.

5. Insérez le capuchon/jauge dans la goulotte de remplissage

de l'huile. Serrez en tournant le capuchon de remplissage

de l'huile dans le sens des aiguilles d'une montre jusqu'à ce

qu'il soit serré fermement.

6. Essayez les éclaboussures éventuelles.

REMARQUE : Consultez la section « Vérification et vidange

de l'huile » dans le chapitre « Entretien » de cette notice

d'utilisation avant de vidanger l'huile du moteur.

Recommandations concernant le carburant

ATTENTION : L'emploi d'un moteur avec un

carburant E15 ou E85, un mélange d'huile et

d'essence, de l'essence sale ou de plus de 30 jours

qui n'a pas été traitée avec un produit de

stabilisation du carburant, peut endommager le

carburateur du moteur. Ces dégâts NE sont PAS

couverts par la garantie du fabricant.

Utilisez une huile automobile (sans plomb ou à faible teneur

en plomb pour minimiser les dépôts dans la chambre de

combustion). Une essence contenant jusqu'à 10% d'éthanol ou

15% de MTBE (méthyl-ter-butyléther) peut être utilisée. N'utilisez

jamaï un mélange d'huile et d'essence ou une essence sale.

Évitez de laisser de la saleté, de la poussière ou de l'eau pénétrer

dans le réservoir. **N'UTILISEZ PAS DE L'ESSENCE E15 ou E85.**

AVERTISSEMENT : L'essence est un produit très

inflammable qui risque d'exploser dans certaines

situations.

Faites le plein dans un endroit bien aéré quand le moteur

est arrêté. Ne fumez pas et n'autorisez aucune flamme nue

ou étincelle à proximité de la machine pendant que vous

faites le plein ou la où vous remisez l'essence.

Vérification du niveau d'huile sur les moteurs avec capuchon de remplissage de l'huile à filets

IMPORTANT : Assurez-vous de placer la machine sur une surface

plane et d'arrêter le moteur avant de vérifier le niveau d'huile.

Pour éviter d'endommager le moteur, il est important de

vérifier le niveau d'huile avant chaque utilisation et toutes

les 5 heures de fonctionnement quand le moteur est

chaud. Vérifiez le niveau d'huile plus souvent pendant la

période de rodage du moteur.

• Maintenir le niveau d'huile entre les repères haut (H) et bas

(L) de la jauge à huile ou à la limite de débordement dans le

cas d'un moteur sans jauge à huile. Voir la Figure 3-3.

• Assurez-vous de reposer le capuchon de remplissage de

l'huile sur les filets en vérifiant le niveau de l'huile sur le goulot

en vérifiant le niveau de l'huile sur les moteurs avec un

capuchon de remplissage de l'huile à filets.

1. Enlevez le capuchon de remplissage de l'huile et essayez la

jauge à huile. Voir la Fig. 3-3.

2. Enfoncez la jauge à huile dans le goulot de remplissage de

l'huile sans la visser.

3. Enlevez le capuchon de remplissage de l'huile. Si le niveau

d'huile est bas, ajoutez lentement de l'huile jusqu'à ce que

le niveau d'huile soit entre les repères haut (H) et le bas (L).
Voir la Fig. 3-3.

4. Vissez la jauge à huile à fond avant de mettre le moteur en

marCHE.

REMARQUE : Ne remplissez pas excessivement. Une quantité

excessive d'huile causera de la fumée, des démarrages difficiles

ou l'encrassement des bougies.

REMARQUE : Ne laissez pas le niveau d'huile tomber en dessous

du repère bas (L) sur la jauge à huile. Ceci pourrait causer un

mauvais fonctionnement de l'équipement et endommager le

moteur.

REMARQUE : Consultez le chapitre « Entretien » de cette notice

d'utilisation avant de changer l'huile du moteur.

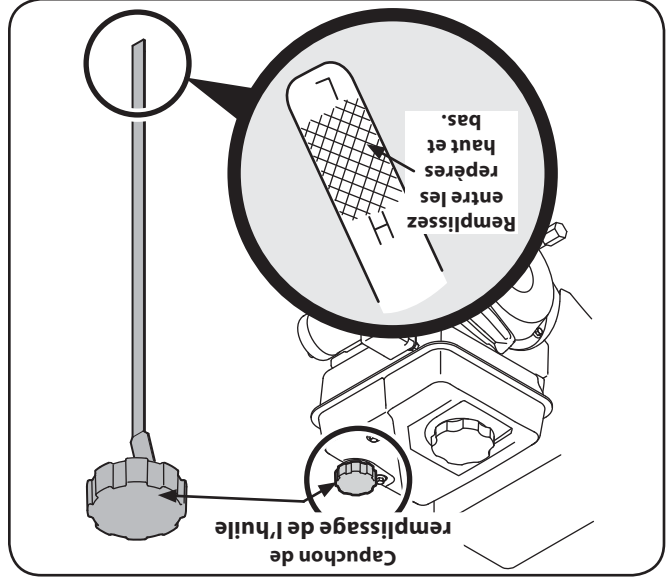


Figure 3-3

Montage

Caractéristiques techniques de l'huile et du carburant

IMPORTANT : Votre équipement peut ou ne peut pas avoir été expédié avec le plein d'huile. Vous devez, cependant, vérifier le niveau d'huile avant de faire fonctionner l'équipement. L'utilisation du moteur avec une quantité d'huile insuffisante peut gravement endommager le moteur et annuler la garantie.



AVERTISSEMENT ! N'approchez jamais les mains et les pieds des pièces en mouvement. N'utilisez pas de liquide d'allumage sous pression. Les vapeurs sont inflammables.

Recommandations concernant l'huile

Faites le plein d'huile avant de mettre le moteur en marche, le carter a une capacité de 20 oz. (0,60 litre). Voir la Fig. 3-1. Ne remplissez pas excessivement. Utilisez une huile hautement détergente de première qualité ou équivalente pour moteur à 4 temps, satisfaisant ou surpassant les critères établis par les fabricants automobiles américains pour les classifications de service minimales S1 (des classifications plus élevées telles que S1 et SM sont acceptables).

La désignation des huiles à moteur apparaîtra sur le bidon.

IMPORTANT : L'emploi d'une huile non détergente ou pour moteur à 2 temps peut abréger la durée de vie du moteur.

Vérification du niveau d'huile

Certains moteurs auront un chapeau/jauge de l'huile d'un quart de tour, d'autres peuvent avoir un chapeau/jauge de l'huile à filets. Suivez les instructions ci-dessous qui s'appliquent à votre modèle de moteur.

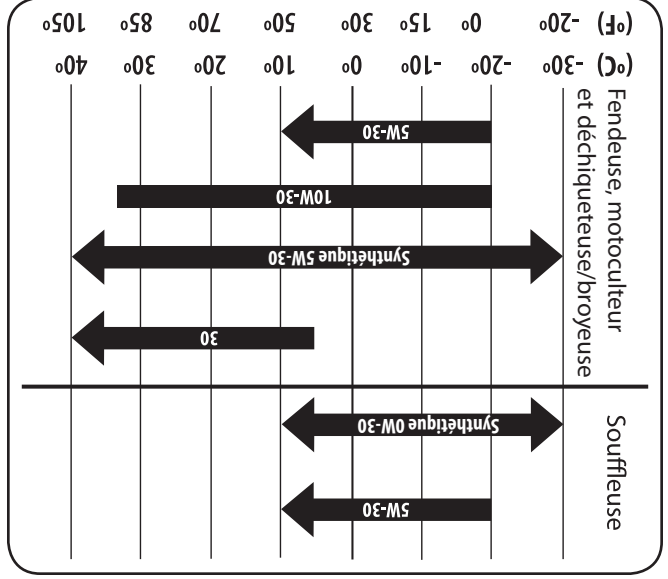


Figure 3-1

Vérification du niveau d'huile sur les moteurs avec capuchons de remplissage de l'huile d'un quart de tour

IMPORTANT : Assurez-vous de placer la machine sur une surface plane et d'arrêter le moteur avant de vérifier le niveau d'huile. Pour éviter d'endommager le moteur, il est important de

- Vérifier le niveau d'huile avant chaque utilisation et toutes les 5 heures de fonctionnement quand le moteur est chaud. Vérifiez le niveau d'huile plus souvent pendant la période de rodage du moteur.

- Maintenir le niveau d'huile entre les repères haut (H) et bas (L) de la jauge à huile ou à la limite de débordement dans le cas d'un moteur sans jauge à huile. Voir la Figure 3-2.

- Vérifier que le capuchon de remplissage de l'huile est bien serré.

1. Enlevez le capuchon de remplissage de l'huile et essuyez la jauge à huile. Voir la Fig. 3-2.

2. Enfoncez la jauge à huile dans le goulot de remplissage de l'huile sans la visser.

3. Enlevez le capuchon de remplissage de l'huile. Si le niveau d'huile est bas, ajoutez lentement de l'huile jusqu'à ce que le niveau d'huile soit entre les repères haut (H) et le bas (L). Voir la Fig. 3-2.

4. Vissez la jauge à huile à fond avant de mettre le moteur en marche.

REMARQUE : Ne remplissez pas excessivement. Une quantité excessive d'huile causera de la fumée, des démarrages difficiles ou l'encrassement des bougies.

REMARQUE : Ne laissez pas le niveau d'huile tomber en dessous du repère bas (L) sur la jauge à huile. Ceci pourrait causer un mauvais fonctionnement de l'équipement et endommager le

moteur.
REMARQUE : Consultez le chapitre « Entretien » de cette notice d'utilisation avant de changer l'huile du moteur.

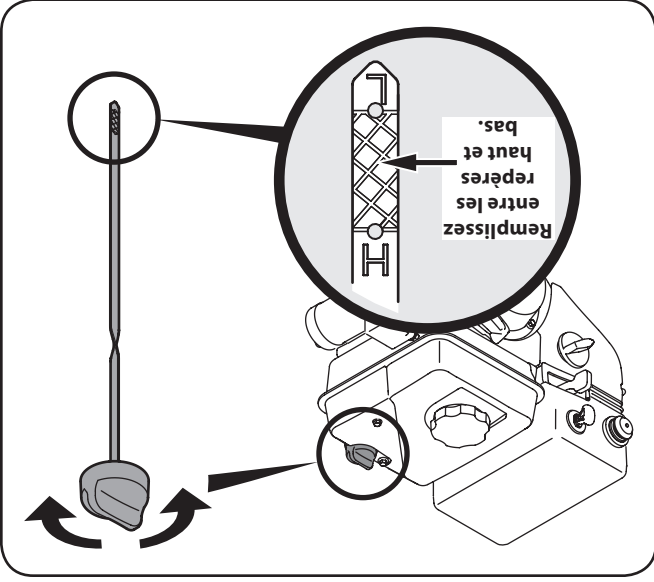


Figure 3-2

Symboles de sécurité

Cette page illustre et explique les symboles de sécurité qui peuvent se trouver sur cette machine. Veuillez lire et suivre toutes les instructions sur la machine et vous assurer de bien les comprendre avant d'essayer d'assembler et d'utiliser la machine.

Description	Symbole
<p>VEUILLEZ LIRE LA OU LES NOTICES D'UTILISATION. Veuillez lire et suivre toutes les instructions sur la machine et vous assurer de bien les comprendre avant d'essayer d'assembler et d'utiliser la machine.</p>	
<p>AVERTISSEMENT – L'ESSENCE EST UN PRODUIT INFLAMMABLE. Laissez le moteur refroidir pendant au moins deux minutes avant de refaire le plein.</p>	
<p>AVERTISSEMENT – MONOXYDE DE CARBONE Ne faites jamais fonctionner un moteur à l'intérieur ou dans un bâtiment mal ventilé. Les gaz d'échappement contiennent du monoxyde de carbone, un gaz inodore et mortel.</p>	
<p>AVERTISSEMENT – SECOUSSE ÉLECTRIQUE N'utilisez pas le démarreur électrique du moteur par temps pluvieux.</p>	
<p>AVERTISSEMENT - SURFACE CHAUDE Les pièces de moteur, particulièrement le silencieux, deviennent extrêmement chaudes lors du fonctionnement. Permettez le moteur et le silencieux de se refroidir avant de les toucher.</p>	



AVERTISSEMENT: Votre responsabilité. Cette machine ne doit être utilisée que par des personnes qui peuvent lire, comprendre et respecter les avertissements et instructions qui figurent dans cette notice et sur la machine

CONSERVEZ CES INSTRUCTIONS!

7. Ne faites jamais déborder le réservoir. Remplissez le réservoir jusqu'au repère « Full » sur l'indicateur de niveau du carburant qui est placé à l'intérieur du réservoir. Ne remplissez pas excessivement et laissez assez d'espace pour l'expansion du carburant. Sur certains modèles SANS indicateur de niveau du carburant, laissez un espace d'un demi-pouce environ sous la base du goulot de remplissage pour permettre l'expansion du carburant.
8. Remettez le capuchon en place et serrez jusqu'au dé clic. En cas de débordement, essuyez toute éclaboussure sur le moteur et la machine. Déplacez la machine à une autre endroit. Attendez 5 (cinq) minutes avant de mettre en marche le moteur.
10. Limitez les risques d'incendie en débarrassant le moteur des brins d'herbe, feuilles et autres saletés. Essayez les éclaboussures de carburant ou d'huile et enlevez tous les débris imbibés d'essence.
11. Éloignez l'essence des étincelles, flammes nues, veilleuses et autres sources de chaleur.
12. Ne faites jamais le plein de l'équipement à l'intérieur où les vapeurs inflammables risquent de s'accumuler.
13. Éteignez toute cigarette ou pipe, tout cigare ou toute autre chaleur incandescente.
14. Vérifiez souvent l'état des conduites d'essence, du réservoir, du bouchon d'essence et autres raccords. Remplacez-les si vous détectez un fendillement ou une fuite.
1. Vérifiez que la bougie, le silencieux, le bouchon d'essence et le filtre à air sont bien installés avant de mettre le moteur en marche.
2. Ne faites pas tourner le moteur si la bougie n'est pas installée.
3. En cas de renversement d'essence, attendez que les vapeurs se dissipent avant de mettre le moteur en marche.
4. Attendez que le silencieux, le cylindre du moteur et les ailettes aient refroidi avant de les toucher.
5. Éloignez les enfants des moteurs en cours de fonctionnement ou encore chauds. Ils pourraient être brûlés par le silencieux.
6. Éliminez tous les débris combustibles de la proximité du silencieux et du cylindre.
7. Vérifiez que tous les dispositifs de protection sont en place avant d'utiliser l'équipement.
8. N'approchez pas les mains et les pieds de toutes les pièces en mouvement.
9. Attachez les cheveux longs et ne portez pas de bijoux.
10. Ne portez pas de vêtements lâches, à cordellettes, ou tout autre article qui risque d'être happé.
11. Pour mettre le moteur en marche, tirez lentement sur la corde jusqu'à ce que vous sentiez une légère résistance, puis tirez plus rapidement.
12. Démontez tout équipement externe ou supprimez toute charge au moteur avant de mettre celui-ci en marche.
13. Les éléments en prise directe, dont les lames, turbines, poulies, douilles, etc., doivent être solidement attachés.



Pare-étincelles

AVERTISSEMENT : Cette machine est équipée d'un moteur à combustion interne et elle ne doit pas être utilisée sur un terrain non entretenu, recouvert de broussailles ou d'herbe si le système d'échappement du moteur n'est pas muni d'un pare-étincelles, conformément aux lois et règlements provinciaux ou locaux (le cas échéant).

Si un pare-étincelles est utilisé, il doit être maintenu en bon état de marche par l'utilisateur de la machine. La station technique agréée la plus proche peut vous fournir un pare-étincelles pour le pot d'échappement de cette machine.

Avis concernant les émissions de gaz

Les moteurs certifiés conformes aux normes régulatrices de la Californie et de l'agence EPA fédérales pour SORE (petit équipement hors route) sont certifiés pour fonctionner avec de l'essence de plomb ordinaire et peuvent être dotés des systèmes de contrôle des émissions de gaz suivants : Engine Modification (EM) et Three Way Catalyst (TWC) le cas échéant.

Ne modifiez pas le moteur.

1. Gardez la machine en bon état de marche.
2. Laissez la machine refroidir pendant au moins 5 minutes avant de la remettre. Ne modifiez jamais les dispositifs de sécurité. Vérifiez souvent qu'ils fonctionnent correctement.
3. Vérifiez régulièrement que les boulons et vis sont bien serrés et maintenez la machine en bon état de marche. Examinez soigneusement la machine pour vous assurer qu'elle n'est pas endommagée et n'a pas besoin d'être réparée.
4. Avant de nettoyer, de réparer ou d'examiner la machine, assurez-vous que la turbine et autres pièces en mouvement se sont immobilisées. Débranchez le fil de la bougie et éloignez-le de celle-ci pour empêcher tout démarrage accidentel.
5. Ne modifiez pas le réglage du régulateur qui assure un régime optimum sans présenter de danger. Il est dangereux de laisser le moteur s'emballer, ce qui risque de l'endommager ainsi que d'autres pièces mobiles de la machine.
6. Prenez soin des étiquettes de sécurité et d'instructions et remplacez-les au besoin.
7. Consultez toujours la notice d'utilisation quant aux instructions de remisage hors-saison.
8. Le cas échéant, videz le réservoir d'essence à l'extérieur. Respectez les règlements concernant l'élimination des déchets et liquides qui risquent de nuire à la nature et à l'environnement.
9. Ne modifiez pas le réglage de l'usine du régulateur. Fonctionnement à des vitesses dangereuses. Ne modifiez jamais le réglage de l'usine du régulateur.

AVERTISSEMENT: Ce symbole attire votre attention sur des consignes de sécurité importantes qui, si elles ne sont pas respectées, peuvent mettre en danger non seulement votre personne et vos biens, mais aussi ceux d'autrui. Prière de lire toutes les instructions figurant dans cette notice d'utilisation avant d'essayer de vous servir de cette machine. Le non-respect de ces instructions peut entraîner des blessures corporelles. RESPECTEZ L'AVERTISSEMENT QUI ACCOMPAGNE CE SYMBOLE!



PROPOSITION 65 – CALIFORNIE
AVERTISSEMENT: Les gaz d'échappement de ce produit contiennent des produits chimiques reconnus dans l'État de Californie comme causant le cancer, des anomalies congénitales ou d'autres problèmes liés à la reproduction.



DANGER: Cette machine doit être utilisée conformément aux consignes de sécurité qui figurent dans ce manuel. Comme avec tout appareil motorisé, une négligence ou une erreur de la part de l'opérateur peut entraîner de graves blessures. Par conséquent, le non-respect de ces consignes peut causer des blessures corporelles graves et même mortelles.



Fonctionnement

1. Assurez-vous de lire et de bien comprendre toutes les instructions qui figurent sur la machine et dans la notice d'utilisation avant de l'assembler et de la mettre en marche. Conservez cette notice d'utilisation à un endroit sûr pour toute consultation ultérieure et pour commander des pièces de rechange.
2. Familiarisez-vous avec les commandes et leur fonctionnement avant de vous en servir. Sachez comment arrêter la machine et débayer les commandes rapidement.
3. Ne permettez jamais à des enfants de moins de 14 ans de se servir de la machine. Des enfants plus âgés doivent lire et comprendre le mode d'emploi de la machine et les consignes de sécurité. Un adulte doit leur apprendre à se servir de cette machine et les surveiller.
4. Seuls des adultes responsables connaissant bien le fonctionnement de la machine doivent être autorisés à s'en servir.
5. Eloignez tout le monde, en particulier les jeunes enfants et les animaux de compagnie, de la zone de travail. Arrêtez la machine si quelqu'un s'approche.

Préparation

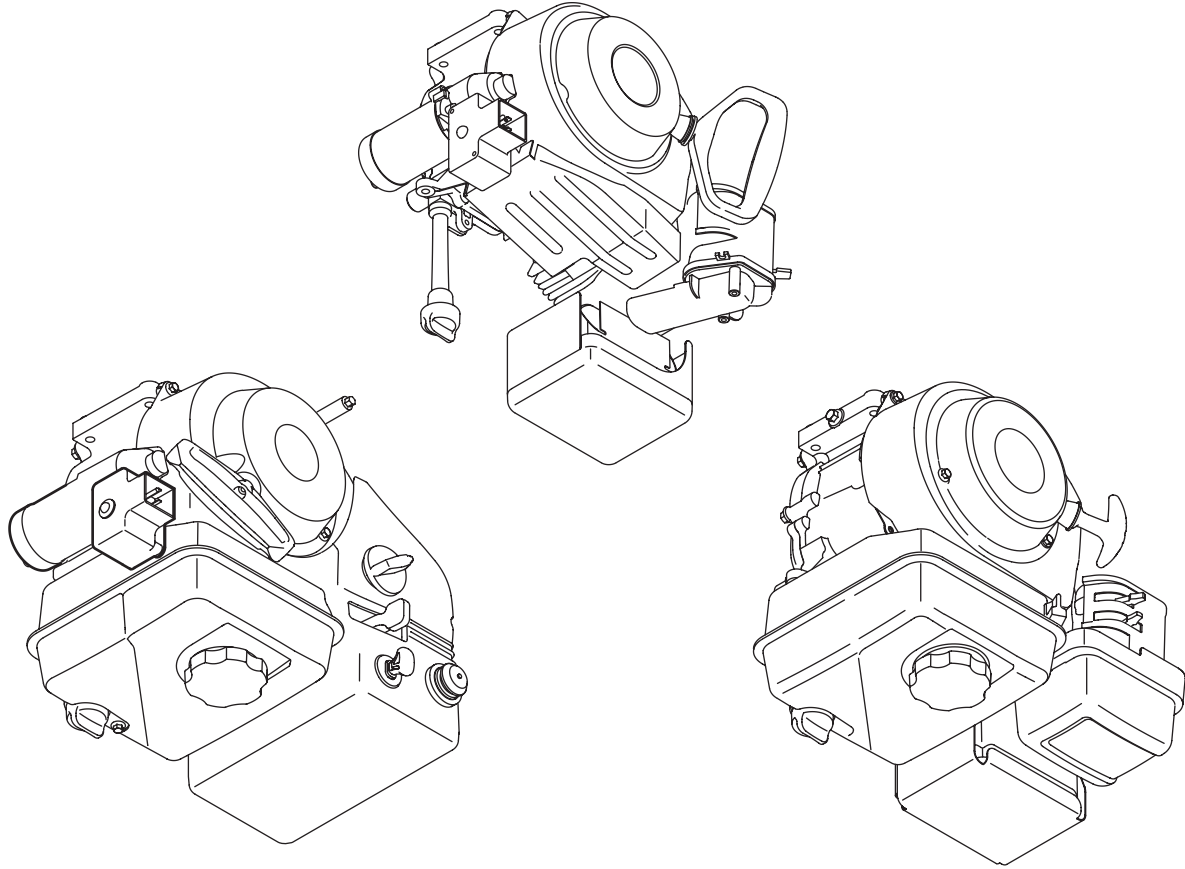
1. Arrêtez le moteur et laissez-le refroidir pendant au moins 2 minutes avant de retirer le bouchon d'essence pour faire le plein.
2. Faites le plein à l'extérieur ou dans un endroit bien aéré. Remisitez le carburant dans des bidons homologués seulement.
3. Ne faites jamais le plein dans un véhicule, ni à l'arrière d'une camionnette dont le plancher est recouvert d'un revêtement en plastique. Placez toujours les bidons par terre et loin de votre véhicule avant de les remplir.
4. Dans le mesure du possible, déchargez l'équipement motorisé de la remorque et faites le plein par terre. Si cela n'est pas possible, faites le plein avec un bidon plutôt que directement de la pompe à essence.
5. Maintenez le gicleur en contact avec le bord du réservoir plein soit terminé. N'utilisez pas un gicleur équipé d'un dispositif de blocage en position ouverte.
6. Débrayez la barre d'embrayage et décalez (le cas échéant) la manette au point mort ("N") avant de mettre en marche le moteur.

Manipulation de l'essence:

4. Ne laissez jamais la machine sans surveillance quand le moteur tourne.
5. N'essayez jamais d'effectuer un réglage quelconque pendant que le moteur tourne, sauf en cas d'instructions spéciales dans la notice d'utilisation.

Pour éviter toute blessure ou dégât matériel, faites très attention en manipulant de l'essence. Il s'agit d'un produit extrêmement inflammable et les vapeurs risquent d'exploser. Vous pouvez être grièvement blessé si des éclaboussures sur votre peau ou sur vos vêtements s'enflamment. Rincez votre peau et changez immédiatement de vêtements.

NOTICE D'UTILISATION



**Moteurs de 179 cm³, 208 cm³ et 243 cm³
à arbre horizontal et soupapes en tête**

⚠ AVERTISSEMENT

**PRIÈRE DE LIRE TOUTES LES INSTRUCTIONS FIGURANT DANS CETTE NOTICE D'UTILISATION
AVANT D'ESSAYER DE VOUS SERVIR DE CETTE MACHINE. LE NON-RESPECT DE CES
INSTRUCTIONS PEUT ENTRAÎNER DES BLESSURES CORPORELLES.**

P. O. Box 1386, 97 KENT AVENUE, KITCHENER, ON N2G 4J1