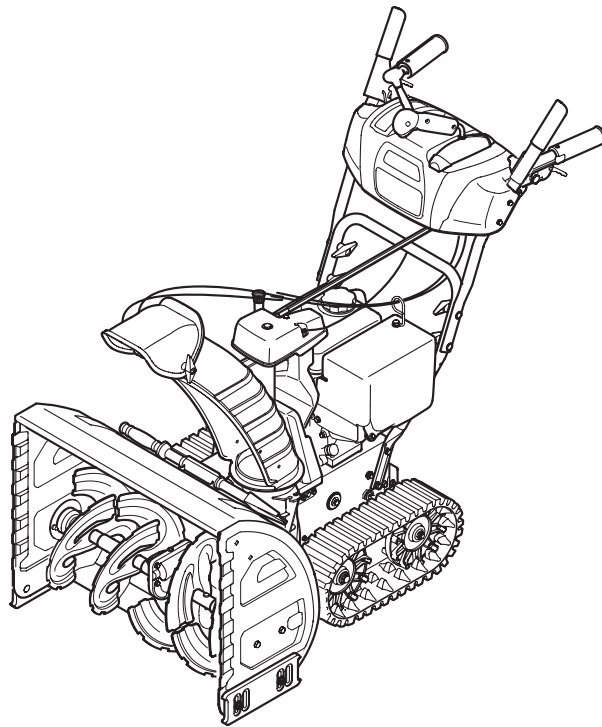

Cub Cadet.

ILLUSTRATED PARTS MANUAL



Track Drive Snow Thrower — 726 TDE

CUB CADET LLC, P.O. BOX 361131 CLEVELAND, OHIO 44136-0019

To The Owner

Thank You

Thank you for purchasing a Cub Cadet Snow Thrower. It was carefully engineered to provide excellent performance when properly operated and maintained.

All information in this manual is relative to the most recent product information available at the time of printing. Please be aware that this Illustrated Part's Manual may cover a range of product specifications for various models.

Components listed and/or illustrated in this manual may not be applicable to all models. We reserve the right to change product specifications, designs and equipment without notice and without incurring obligation.

Throughout this manual, all references to *right* (RH) and *left* (LH) are observed from the operating position.

Table of Contents

<i>Augers Housing & Assembly</i>	8	<i>4 Way Extended Chute</i>	6
<i>Drive System</i>	12	<i>P/Q Style Panel</i>	4
<i>Engine Model 370-SUB 208cc</i>	14	<i>Transmission & Track Drive System</i>	10

Record Product Information

To ease in ordering replacement parts, please locate the model plate on the equipment and record the information in the provided area to the right. You can locate the model plate by standing at the operator's position and looking down at the rear of the deck.

MODEL NUMBER

--	--	--	--	--	--	--	--	--	--	--	--

SERIAL NUMBER

--	--	--	--	--	--	--	--	--	--	--	--

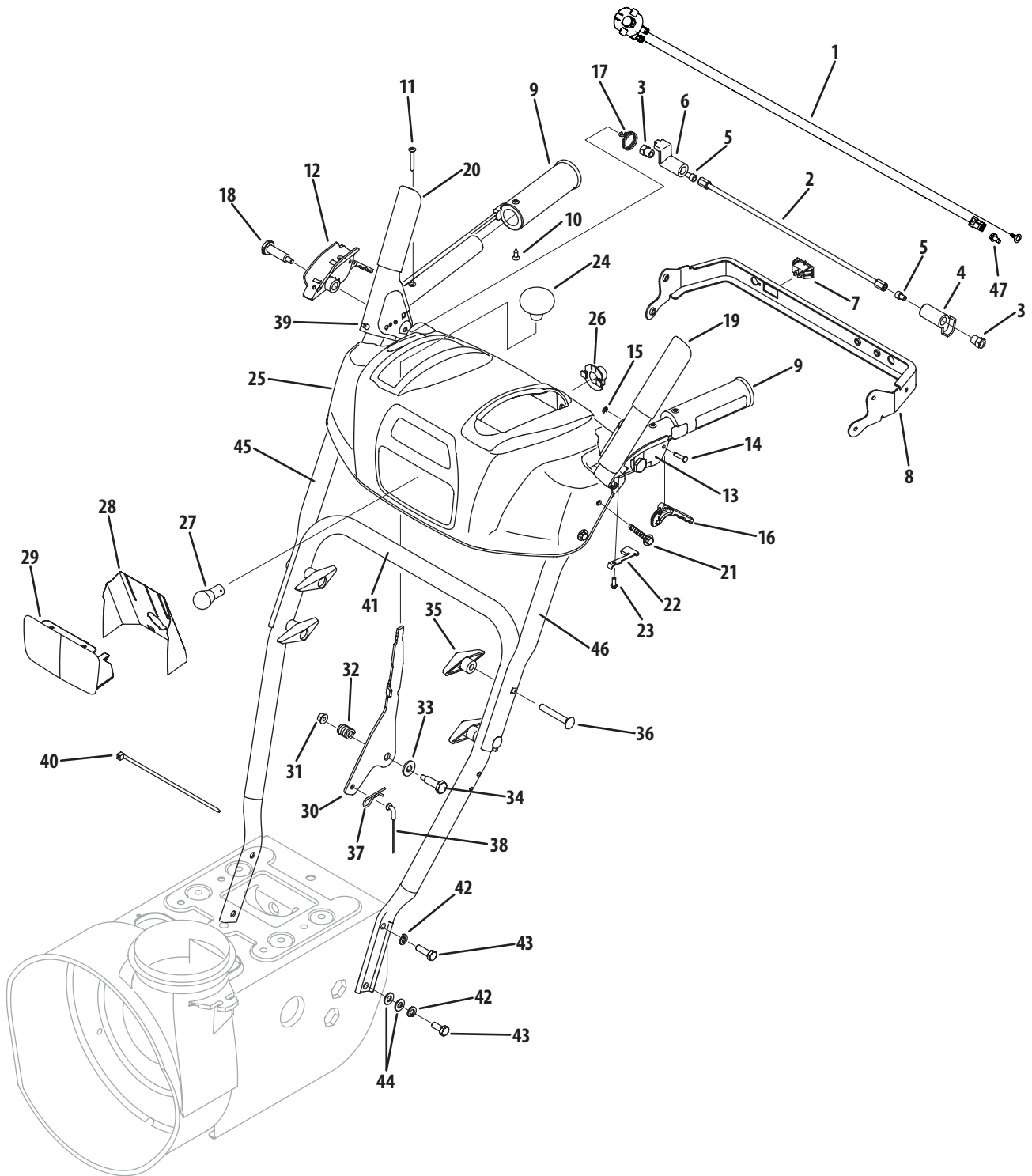
Painted Parts

When ordering painted service parts, a four digit color suffix must be added to the part number (e.g. 783-XXXXX-0637). Please refer to the table below for current color codes:

0637	Black	0685	Blue (Cub Cadet)
4021	Yellow (Cub Cadet)	0691	Black Jack (Cub Cadet Commercial)
0499	Beige (Cub Cadet)		

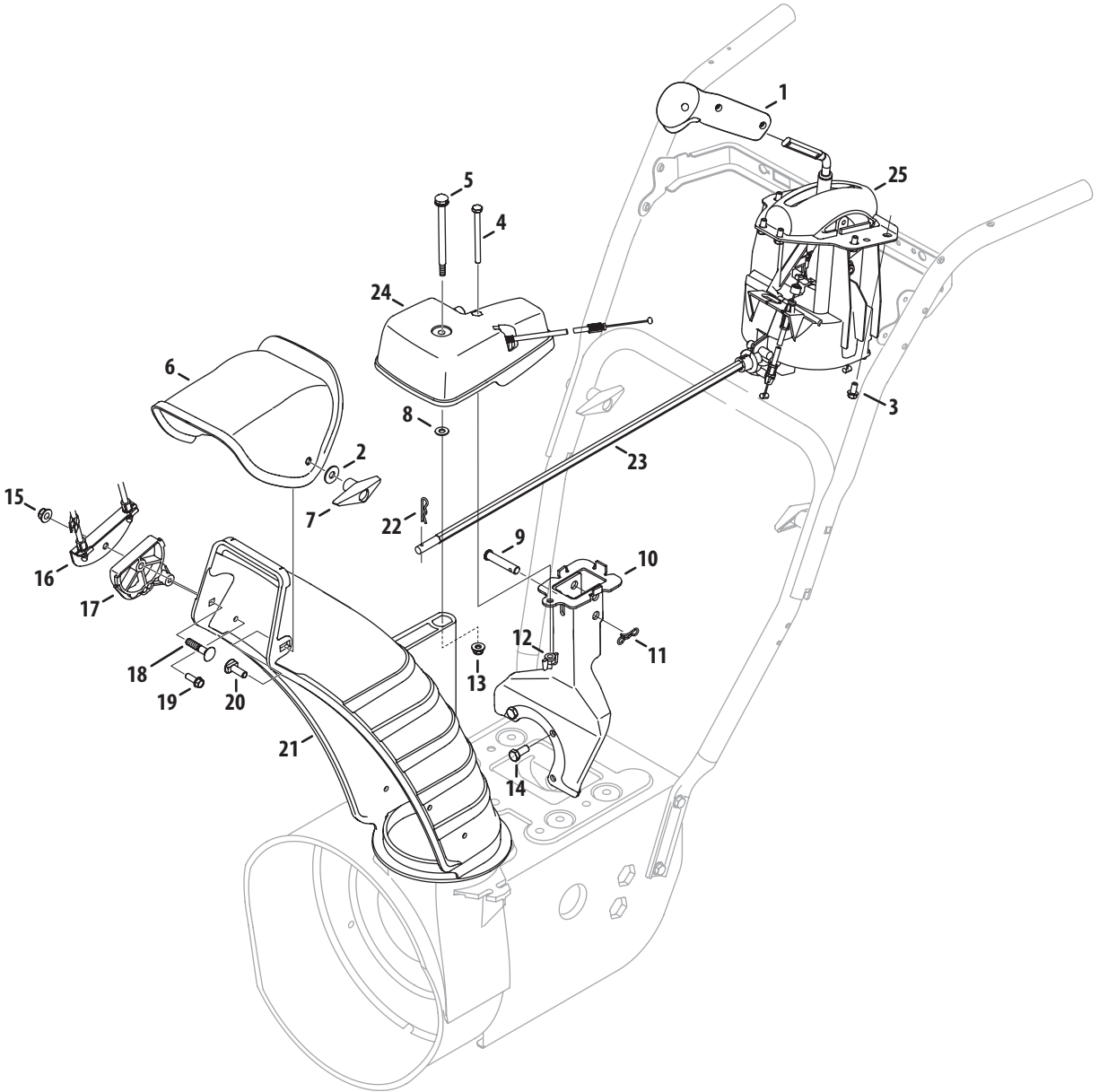
This page left intentionally blank.

P/Q Style Panel



Ref.	Part Number	Description	Ref.	Part Number	Description
1.	725-05148	Wire Harness	25.	931-04187A	Handle Panel
2.	684-04250	Clutch Lock Rod Assembly	26.	925-1649	Light Socket
3.	712-04081A	Hex Shoulder Nut, ¼-20	27.	725-1629	Lamp
4.	731-04896B	Clutch Lock Cam	28.	777X41804	Lens Label
5.	710-3069	Socket Cap Screw ¼-20 x .50	29.	731-05324	Lens
6.	731-04894D	Lock Plate	30.	790-00281B	Shift Lever
7.	725-04393	Heated Grip Switch	31.	712-04064	Flange Lock Nut, ¼-20
8.	790-00248B	Panel Bracket	32.	732-0193	Compression Spring, .39 x .60 x .88
9.	725-05149	Heated Grip	33.	936-0267	Flat Washer, .385 x .87 x .06
10.	710-0837	AB Screw, #10-16 x .625	34.	738-04125	Shoulder Screw, .374 x 1.05
11.	710-1233	Machine Screw, #10-24 x 1.375	35.	720-04072A	Knob Assembly, ⅝-18
12.	631-04134B	Clutch Lock Handle Assembly, RH	36.	710-0572	Carriage Screw, ⅝-18 x 2.25
13.	631-04133A	Clutch Lock Handle Assembly, LH	37.	914-0145	Click Pin, .092 x 1.64
14.	738-04126	Pin, 3/16	38.	946-04518	Speed Selector Cable
15.	716-04036	E-Type Ring, .375	39.	935-0199A	Rubber Bumper, .62 x .22
16.	731-04954	Clutch Trigger Lock	40.	725-0157	Cable Tie, ⅜ x .05 x 7.43
17.	732-04238	Torsion Spring, .8156 ID x .3038	41.	749-0951A	Lower Handle
18.	738-04348	Shoulder Screw, .437 x 1.345 x ¼-20	42.	936-0119	Lock Washer, ⅝
19.	684-04105B	Engagement Handle Assembly, LH	43.	710-1880	Hex Bolt, ⅝-18 x .75
20.	684-04106B	Engagement Handle Assembly, RH	44.	936-0275	Flat Washer, .344 x .688 x .065
21.	710-04586	Hex Washer Screw, ¼-20 x 1.625	45.	749-04310	Upper Handle, RH
22.	732-04219C	Clutch Lock Spring	46.	749-04309	Upper Handle, LH
23.	710-04326	Hex Washer Screw, #8-16 x .50	47.	710-0599	Screw, 1/4-20 x .500
24.	720-04039	Shift Knob			

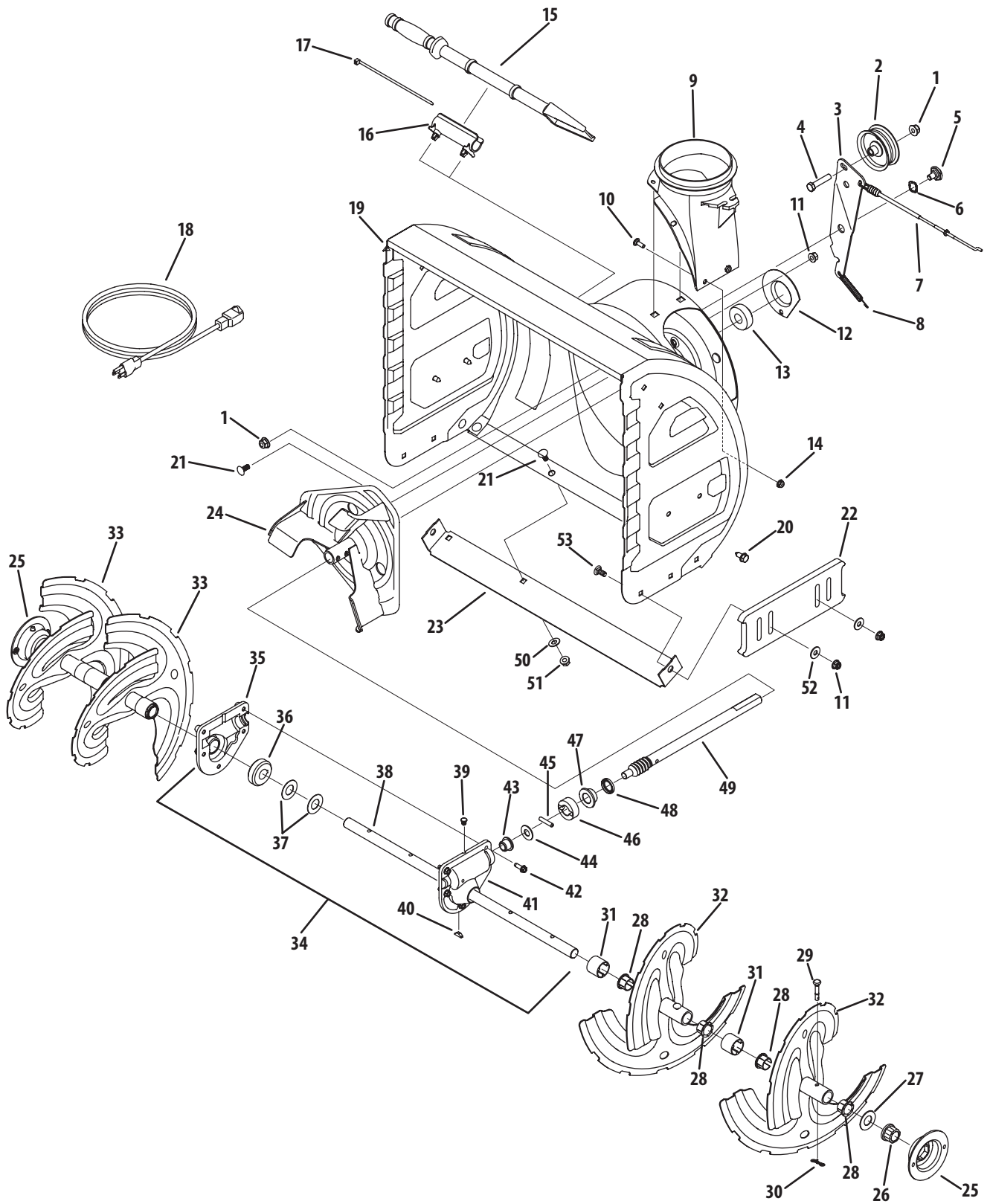
4-Way Extended Chute



4-Way Extended Chute

Ref.	Part Number	Description
1.	753-06151	Chute Control Assembly
2.	936-0159	Washer, Flat, .349 x .879
3.	710-04187	Hex Washer Screw, 1/4-15 x .50
4.	710-04370	Hex Head Screw, 1/4-20 x 3.00
5.	738-04367	Screw, Shoulder, .312 x 3.5 x 1/4-20
6.	731-04427A	Upper Chute
7.	720-04072A	Wing Knob, 5/16-18
8.	736-04446	Washer, Flat, .25 x .630
9.	711-04469A	Clevis Pin, 3/8 x 1.87
10.	684-04311A	Chute Support Bracket
11.	714-04040	Bow-Tie Cotter Pin
12.	712-3087	Wing Nut, 1/4-20
13.	712-04064	Flange Lock Nut, 1/4-20
14.	710-0627	Hex Lock Screw, 5/16-24 x .750
15.	712-04063	Flange Lock Nut, 5/16-18
16.	784-5594	Cable Bracket
17.	731-06451	Chute Tilt Cable Guide
18.	710-0262	Carriage Bolt, 5/16-18 x 1.50
19.	710-0895	Hex Washer Screw, 1/4-15 x .750
20.	710-04071	Carriage Bolt, 5/16-18 x 1.00
21.	731-06440A	Lower Chute, 5.0
22.	914-0101	Internal Cotter Pin
23.	747-05116	Chute Rod, 3/8 Hex
24.	918-04801	Gearbox Assembly, Chute Rotation
25.	984-04338	4-Way Chute Control

Auger Housing & Assembly

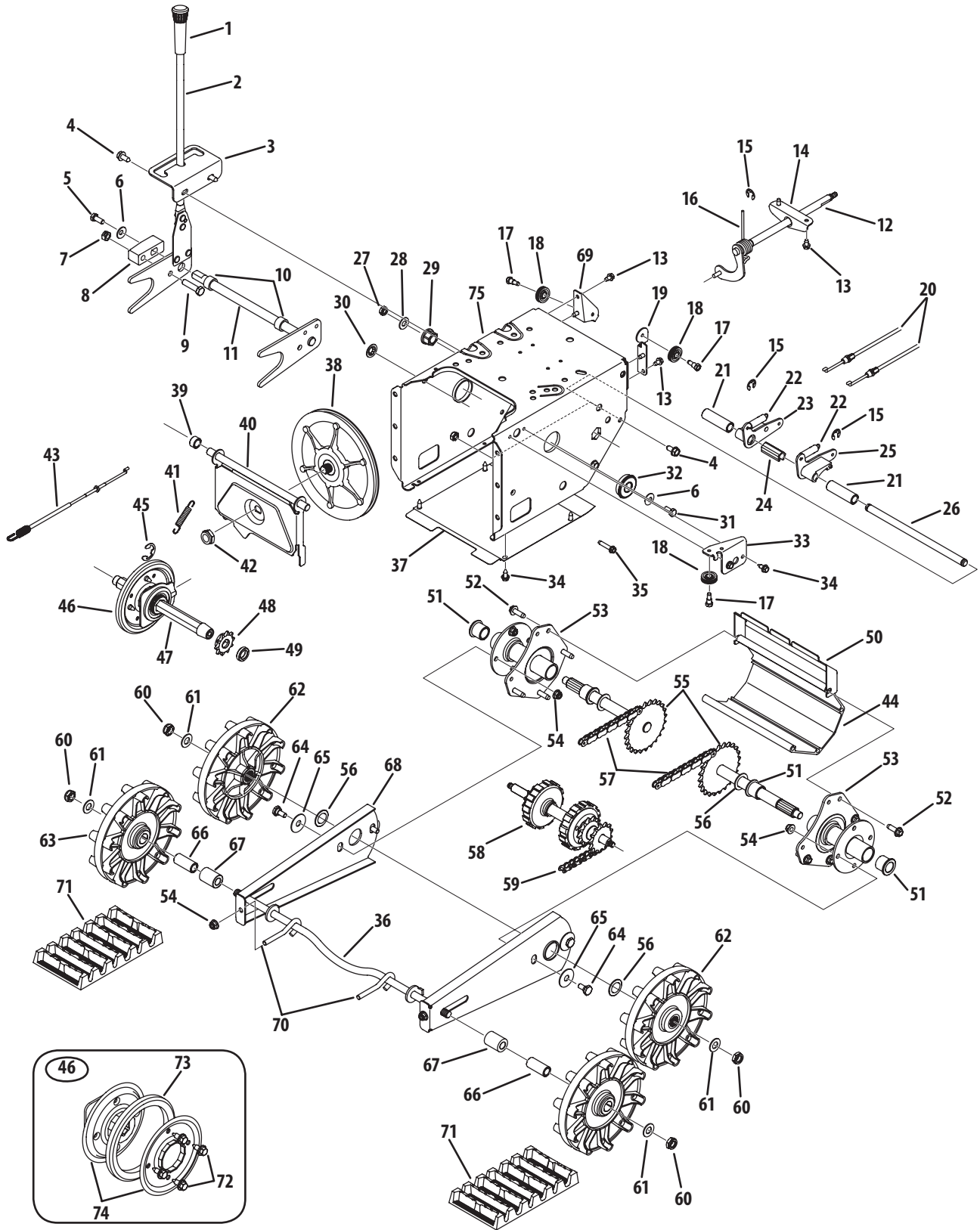


Auger Housing & Assembly

Ref.	Part Number	Description
1.	712-04065	Flange Lock Nut, 3/8-16
2.	756-04224	Idler Pulley
3.	790-00080A	Auger Idler Bracket w/ Brake
4.	710-0347	Hex Bolt, 3/8-16 x 1.75
5.	938-0281	Shoulder Screw, .625 x .17 x 3/8-16
6.	736-0174	Wave Washer, .625 x .885 x .015
7.	946-0897	Clutch Cable
8.	932-0611	Extension Spring, .38 OD x 3.6
9.	731-07525	Chute Adapter, 5.0
10.	710-0703	Carriage Screw, 1/4-20 x .75
11.	712-04063	Flange Lock Nut, 5/16-18
12.	05931A	Bearing Housing
13.	941-0309	Ball Bearing, .75 ID x 1.85 OD
14.	712-04064	Flange Lock Nut, 1/4-20
15.	931-2643	Cleanout Tool
16.	731-2635	Cleanout Tool Mount
17.	725-0157	Cable Tie, 3/16 x .05 x 7.4
18.	929-0071	Extension Cord, 3-Prong
19.	684-04321	Auger Housing, 26"
20.	710-04484	Hex Washer Screw, 5/16-18 x .750
21.	710-04525	Carriage Bolt, 5/16-18 x .750
22.	731-06931	Deluxe Polymer Skid Shoe
23.	790-00148	Stainless Steel Shave Plate, 26"
24.	684-04057A	Impeler Assembly
25.	790-00087A	Bearing Housing
26.	941-0245	Hex Flange Bearing
27.	736-0188	Flat Washer, .76 x 1.49 x .06

Ref.	Part Number	Description
28.	741-0493A	Flange Bushing .800 ID x .910 OD
29.	738-04124A	Shear Pin
30.	714-04040	Bow-Tie Cotter Pin
31.	731-04870	Spacer, 1.25 OD x .75 ID x 1.00
32.	684-04107	Spiral Assembly, LH
33.	684-04108	Spiral Assembly, RH
34.	918-04172A	Gearbox Assembly, 26"
35.	918-0123A	Housing Assembly, RH
36.	917-04861	Worm Gear, 2OT
37.	936-0351	Flat Washer, .760 ID x 1.50 OD
38.	711-04284	Auger Axle, 26"
39.	721-0325	Plug, 1/4 x .437
40.	914-0161	Hi-Pro Key, 3/16 x 5/8
41.	918-0124A	Housing Assembly, LH
42.	710-0642	Hex Washer Screw, 1/4-20 x .750
43.	741-0663	Fling. Bearing, .50 ID x .75 OD x .59
44.	736-3084	Flat Washer, .51 x 1.12 x .06
45.	715-04021	Dowel Pin, .25 OD x 1.25
46.	718-04071	Thrust Collar, .756 ID x .600
47.	741-0662	Fling. Bearing, .75 ID x 1.0 OD x .59
48.	721-0327	Oil Seal, .75 x 1.131 x .188
49.	917-04126	Worm Shaft, .75 OD
50.	736-04216	Bell Washer, .340 x .872 x .060
51.	712-04103	Hex Nut, 5/16-18
52.	936-0159	Flat Washer, .349 x .879 x .063
53.	710-0276	Carriage Screw, 5/16-18 x 1.00

Transmission & Track Drive System

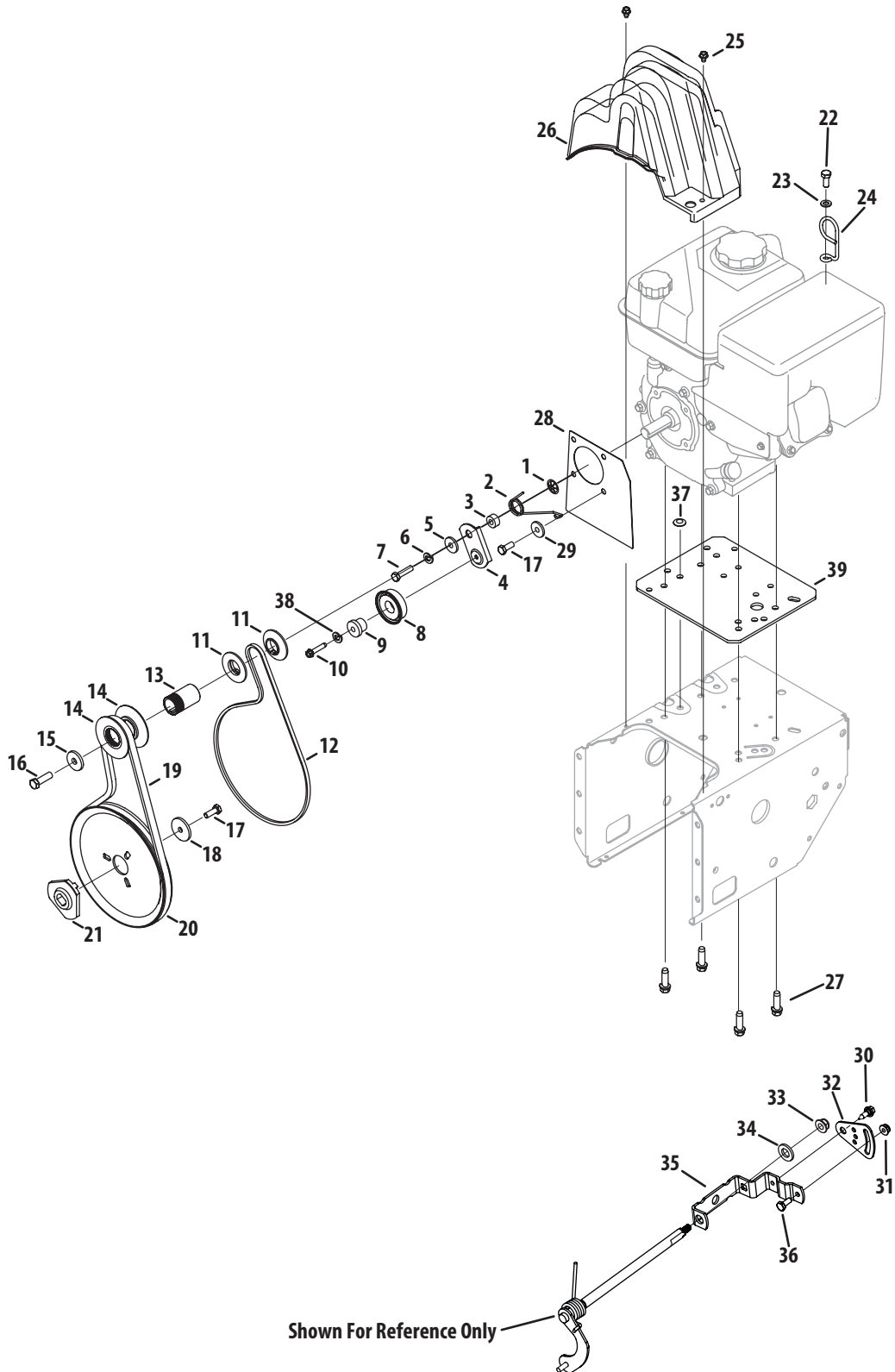


Transmission & Track Drive System

Ref.	Part Number	Description
1.	720-0223	Grip, .5 ID x 3.45
2.	984-0038	Track Lock Handle Assembly
3.	784-5642	Lockout Track Bracket Plate
4.	710-04484	Hex Washer Screw, 5/16-18 x .750
5.	710-0157	Hex Screw, 5/16-24 x .75
6.	736-0242	Bell Washer, .340 x .872 x .060
7.	912-3000	Hex Lock Nut, 3/8-16
8.	748-0353A	Lift Shaft Drive
9.	710-0344	Hex Screw, 3/8-16 x 1.50
10.	750-0547	Spacer, .828 ID x .875 OD x .500
11.	684-0009A	Pivot Rod Assembly
12.	684-04307	Shift Rod Assembly
13.	710-0599	Hex Washer Screw, 1/4-20 x .500
14.	784-5590	Shift Frame Bracket
15.	916-0104	E-Ring
16.	732-04514	Torsion Spring, .750 ID x .968
17.	738-0924A	Shoulder Screw, .34 x .335 x 1/4-28
18.	756-0625	Cable Roller
19.	784-5687A	Auger Cable Guide Bracket
20.	946-0948A	Track Steering Cable
21.	750-0903B	Spacer, .515 x 735 x 2.44
22.	932-0209	Extension Spring, .48 OD x 2.03
23.	618-0043	Dogg Assembly, RH
24.	750-05021	Spacer, .491 ID x 1.87
25.	618-0044	Dogg Assembly, LH
26.	911-04927	Shift Actuator
27.	912-0116	Jam Lock Nut, 3/8-24
28.	936-0300	Flat Washer, .406 x .875 x .059
29.	741-1111	Hex Flange Bearing
30.	726-0221	Speed Nut, .500
31.	710-0538	Hex Lock Screw, 5/16-18 x .625
32.	941-0563	Ball Bearing
33.	790-00287	Auger Cable Support Guide
34.	710-1652	Hex Washer Screw, 1/4-20 x .625
35.	710-0788	Hex Washer Screw, 1/4-20 x 1.000
36.	684-04240	Axle Assembly
37.	784-5648A	Track Frame Cover
38.	656-04055	Friction Wheel Disc Assembly

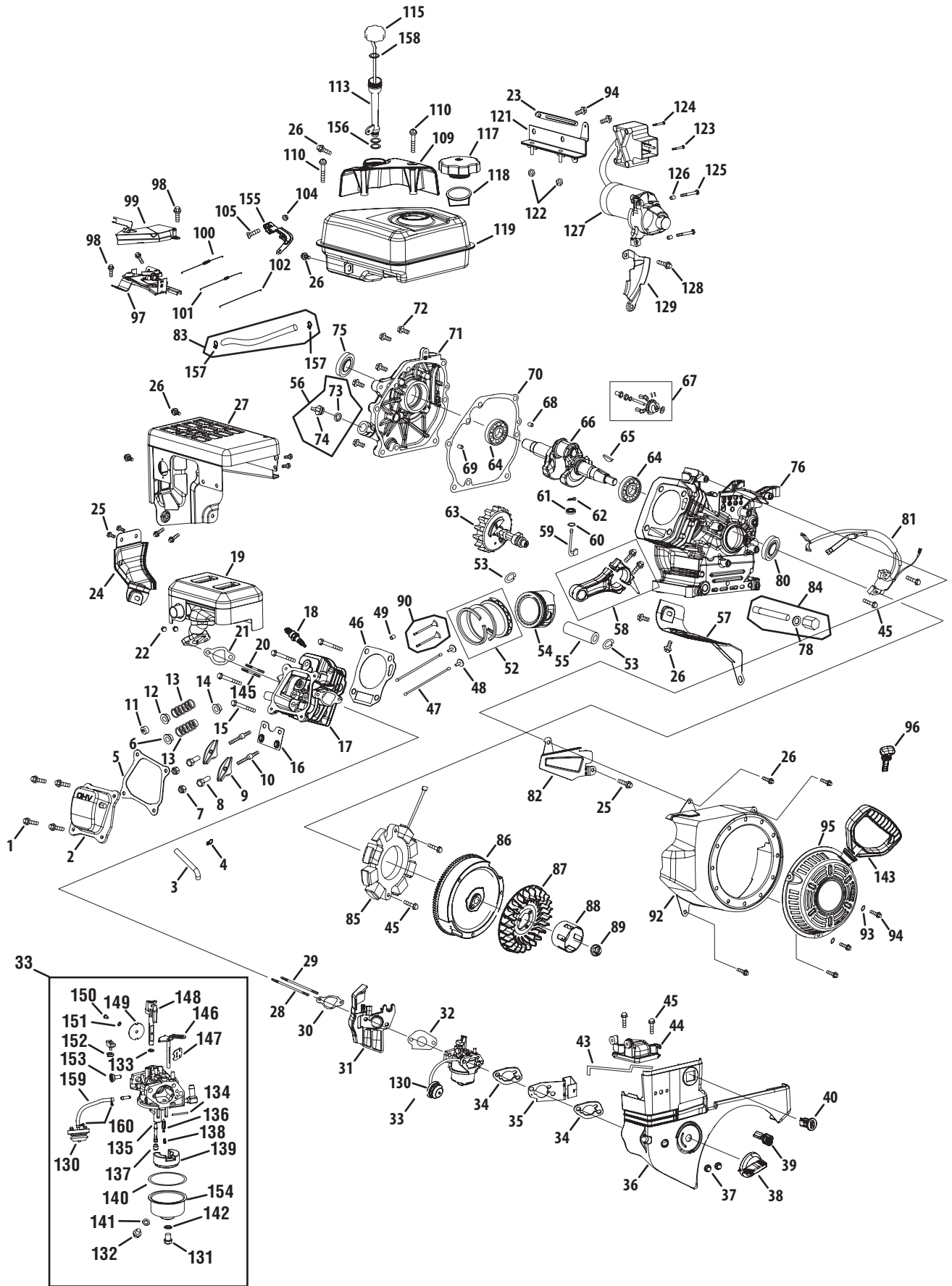
Ref.	Part Number	Description
39.	750-04748	Spacer, .525 ID x .750 x .42
40.	684-04241A	Friction Wheel Support Bracket
41.	932-0264	Extension Spring
42.	712-0417A	Flange Nut, 5/16-18
43.	946-0898	Drive Clutch Cable
44.	719-0295A	Housing
45.	716-0136	E-Ring
46.	684-04159	Friction Wheel Assembly
47.	911-04928	Hex Track Shaft
48.	913-04015	Sprocket, 10T
49.	950-0997	Spacer, .675 ID x 1.00 OD x .23
50.	784-5609	Steering Cable Bracket
51.	941-0339	Flange Bearing
52.	710-0602	Hex Washer Screw, 5/16-18 x 1.0
53.	683-0024	Track Hub Assembly
54.	712-04063	Flange Lock Nut, 5/16-18
55.	611-0053	Track Axle Assembly
56.	936-0287	Flat Washer, .793 x 1.24 x .06
57.	713-0437	Chain
58.	918-0169B	Drive Track Shift Assembly
59.	713-0233	Chain
60.	912-0346	Jam Lock Nut, 1/2-20
61.	936-0272	Flat Washer, .510 x 1.00 x .060
62.	731-1538A	Track Drive Wheel
63.	631-0032	Track Idler Wheel
64.	938-0140	Shoulder Screw, .43 x .56 5/16-18
65.	936-0406	Flat Washer, .442 x 1.38 x .060
66.	750-0995	Spacer, .51 ID x .75 OD x 1.67
67.	750-0909	Spacer, .510 ID x 1.0 OD x 1.34
68.	784-5639	Side Plate
69.	784-5688	Drive Cable Guide Bracket
70.	710-1231	Eye Bolt, 5/16-18 x 3.0
71.	731-1292	Snow Trac
72.	710-0896	Hex Washer Screw, 1/4-14 x .625
73.	935-04054	Friction Wheel
74.	790-00174	Friction Plate
75.	684-04302B	Frame Assembly

Drive System



Ref.	Part Number	Description
1.	926-04012	Push-On Nut
2.	732-04308A	Torsion Spring, .850 ID x .333
3.	750-04477A	Spacer, .340 x .750 x .330
4.	790-00208C	Idler Bracket
5.	748-04112B	Shldr. Spacer, .3175 ID x .500 x .0975
6.	936-0119	Lock Washer, $\frac{5}{16}$
7.	710-0672	Hex Screw, $\frac{5}{16}$ -24 x 1.25
8.	684-04169	Idler Pulley
9.	750-04571	Shoulder Spacer, .260 x .785 x .538
10.	710-0809	Hex Washer Screw, $\frac{1}{4}$ -20 x 1.250
11.	756-04252	Pulley Half, $\frac{3}{8}$ -V x 1.7160 OD
12.	954-0367	V-Belt
13.	750-04303	Spacer, .875 ID x 1.185 OD
14.	756-04113	Pulley Half, 4L-V x 2.600 OD
15.	736-0247	Flat Washer, .406 x 1.25 x .157
16.	710-0191	Hex Screw, $\frac{3}{8}$ -24 x 1.25
17.	710-1245B	Hex Lock Screw, $\frac{5}{16}$ -24 x .875
18.	736-0505	Flat Washer, .34 x 1.50 x .150
19.	954-04050	Belt
20.	756-04109	Auger Pulley
21.	748-04053A	Adapter Pulley
22.	710-04022	Hex Screw, M8-1.25 x 20
23.	936-0264	Flat Washer, .330 x .630 x .0635
24.	732-0705	Cable Control Wire
25.	710-0653	Hex Washer Screw, $\frac{1}{4}$ -20 x .375
26.	731-05353	Belt Cover
27.	710-0502A	Hex Washer Screw, $\frac{3}{8}$ -16 x 1.250
28.	790-00289A	Cover Plate
29.	748-0234	Shoulder Spacer
30.	738-04184A	Shoulder Screw, .368 x .113 x $\frac{1}{4}$ -20
31.	712-04064	Flange Lock Nut, $\frac{1}{4}$ -20
32.	790-00217A	Speed Selector Pivot Bracket
33.	712-04063	Flange Lock Nut, $\frac{5}{16}$ -18
34.	936-3015	Flat Washer, .469 x .875 x .105
35.	790-00218A	Speed Selector Shift Bracket
36.	710-0751	Hex Screw, $\frac{1}{4}$ -20 x .620
37.	735-04099	Plug, 3/8 ID
38.	936-0329	Lock Washer, 1/4
39.	790-00322B	Engine Plate

208 cc 370-SUB Engine



208 cc 370-SUB Engine

Ref. No.	Part No.	Description	Ref. No.	Part No.	Description
1	710-04968	Bolt	72	710-04932	Bolt
2	951-11054	Valve Cover	75	951-11368	Oil Seal
3	731-07059	Breather Hose	78	736-04440	Washer
4	726-04101	Hose Clamp	80	951-11370	Oil Seal
7	751-11124	Pivot Locking Nut	81	951-10646	Ignition Coil
8	751-11123	Valve Adjusting Nut	82	951-11110	Air Flow Shield
10	710-04902	Pivot Bolt	83	951-10650	Fuel Line Kit
15	710-04933	Bolt	84	951-10641	Oil Drain Assembly
18	951-10292	Spark Plug	85	951-12050	Stator
19	951-11282	Muffler Assembly	86	951-12051	Flywheel
20	710-05001	Stud	87	951-10934	Cooling Fan
21	951-11289	Muffler Gasket	88	951-10911	Starter Cup
22	712-04214	Nut	89	712-04209	Nut
23	951-11680	Wire Clip	90	951-10647	Valve Kit
24	951-11111	Exhaust Pipe Shield	92	951-11509	Blower Housing
25	710-04940	Bolt	93	736-04455	Washer
26	710-04915	Bolt	94	710-04914	Bolt
27	951-10642A	Muffler Shroud	95	951-10658	Recoil Starter Assembly
28	710-04939	Stud, M6 x117	96	731-05632	Key
29	710-04910	Stud, M6 x 105	97	951-10758	Throttle Control Assembly
33	951-10638A	Carburetor Assembly	98	710-05103	Bolt
35	951-11112	Choke Control Bracket	99	951-11108	Governor Shield
36	951-10634	Engine Shroud	100	951-11935	Governor Spring
37	712-04213	Nut	101	951-10664	Throttle Return Spring
38	951-11284	Choke Knob	102	951-10665	Governor Rod
39	951-10757	Throttle Control Knob	104	712-04212	Nut
40	951-10637	Ignition Switch	105	710-04908	Bolt
43	951-10640	Choke Push Rod	109	951-10662	Engine/Dipstick Cover
44	951-10635	Heater Box	110	710-04905	Bolt
45	710-04919	Bolt	113	951-11913	Dipstick Tube
47	951-10648	Push Rod Kit	115	951-11912	Dipstick
49	715-04090	Dowel Pin	117	951-10649	Fuel Cap Assembly
56	951-11283	Oil Fill Plug Assembly	118	951-11933	Fuel Level Indicator
57	951-11113	Air Shield	119	951-10653B	Fuel Tank
59	951-11356	Governor Arm Shaft	121	951-11114	Switch Housing Mounting Bracket
60	736-04461	Washer	122	712-04212	Nut
62	714-04074	Cotter Pin	123	710-04965	Bolt, M4 x 55
64	951-11369	Radial Ball Bearing	124	710-04935	Bolt, M4 x 60
65	951-10307	Flywheel Key	125	710-05182	Bolt
68	715-04092	Dowel Pin, 7 x 14	126	715-04088	Dowel Pin
69	715-04096	Dowel Pin, 9 x 14	127	951-10645A	Electric Starter
70	951-11371	Crankcase Cover Gasket	128	710-04979	Bolt

208 cc 370-SUB Engine

Ref. No.	Part No.	Description
129	951-11109	Blower Housing Shield
130	951-10639A	Primer (includes primer bulb)
—	951-11824	Primer Bulb
131	710-04945	Bolt
132	710-04938	Drain Bolt
143	731-05696	Starter Handle
155	951-11106	Governor Arm Bracket
156	951-11903	O-Ring
157	951-11731	Hose Clamp
158	951-11934	O-Ring
—	951-10651	Fuel Tank Nipple (Not Shown)
—	952Z370-SUB-10	Engine, Complete
145	951-10657	Muffler Stud Assembly
20	710-05001	Stud
33	951-10638A	Carburetor Assembly
130	951-10639A	Primer
131	710-04945	Bolt
132	710-04938	Drain Bolt
133	—	Gasket, Throttle Plate
134	—	Float Pin
135	—	Emulsion Tube
136	—	Needle Valve
137	—	Main Jet
138	—	Needle Valve Spring
139	—	Float
140	951-11589	Fuel Bowl Gasket
141	951-11349	Fuel Drain Plug Gasket
142	951-11348	Fuel Bowl Gasket
146	—	Choke Shaft
147	—	Choke Plate
148	—	Throttle Shaft
149	—	Throttle Plate
150	—	Screw, M3x5
151	—	Lock Washer
152	—	Idle Jet Assembly
153	—	Idle Speed Adjusting Screw
154	—	Fuel Bowl
159	951-11905	Primer Hose
160	951-11906	Hose Clamp

Ref. No.	Part No.	Description
—	951-11249	Crankcase Kit
61	951-11902	Governor Seal
64	951-11369	Radial Ball Bearing
70	951-11371	Crankcase Gasket
76	—	Crankcase
80	951-11370	Oil Seal
—	951-11060A	Short Block Assembly
5	951-11565	Head Cover Gasket
21	951-11289	Muffler Gasket
30	951-11567	Carburetor Insulator Gasket
31	951-11896	Carburetor Insulator Plate
46	951-11572	Cylinder Head Gasket
48	951-11899	Tappet
49	715-04090	Dowel Pin
52	951-11253	Piston Ring Set
53	951-11632	Piston Pin Snap Ring
54	951-12053	Piston
55	951-11633	Piston Pin
58	951-11573	Connecting Rod Assembly
59	951-11356	Governor Arm Shaft
60	736-04461	Washer
61	951-11902	Governor Seal
62	714-04074	Cotter Pin
63	951-11575	Camshaft Assembly
64	951-11369	Radial Ball Bearing
65	951-10307	Flywheel Key
66	—	Crankshaft Assembly
67	951-11576	Governor Gear/Shaft Assembly
68	715-04092	Dowel Pin, 7 x 14
69	715-04096	Dowel Pin, 9 x 14
70	951-11371	Crankcase Cover Gasket
71	—	Case Cover
72	710-04932	Bolt
73	951-11577	O-Ring
74	—	Oil Fill Plug
75	951-11368	Oil Seal
76	—	Crankcase
77	951-11350	Oil Drain Pipe
78	736-04440	Washer
79	710-04906	Oil Drain Plug Washer
80	951-11370	Oil Seal

Ref. No.	Part No.	Description
—	951-10668A	Cylinder Head Assembly
5	951-11565	Head Cover Gasket
6	951-12000	Intake Valve Spring Seat
7	751-11124	Pivot Locking Nut
8	751-11123	Valve Adjusting Nut
9	951-11893	Rocker Arm
10	710-04902	Pivot Bolt
11	951-12002	Exhaust Valve Adjuster
12	951-12003	Exhaust Valve Spring Seat
13	951-12004	Valve Spring
14	951-11894	Intake Valve Seal
16	951-11895	Push Rod Guide Plate
17	—	Cylinder Head - Complete
21	951-11289	Muffler Gasket
30	951-11567	Carburetor Insulator Gasket
31	951-11896	Carburetor Insulator Plate
46	951-11572	Cylinder Head Gasket
90	951-10647	Valve Kit
—	951-11063	Valve Cover Kit
2	951-11054	Valve Cover
5	951-11565	Head Cover Gasket
56	951-11283	Oil Fill Plug Assembly
73	951-11577	O-Ring
74	—	Oil Filler Plug
144	951-11021	Carburetor Kit, Major
133	—	Gasket, Throttle Plate
134	—	Float Pin
135	—	Emulsion Tube
136	—	Needle Valve
137	—	Main Jet
138	—	Needle Valve Spring
139	—	Float
140	951-11589	Fuel Bowl Gasket
141	951-11349	Fuel Drain Plug Gasket
142	951-11348	Fuel Bowl Gasket
—	951-11247A	Crankshaft Kit
64	951-11369	Radial Ball Bearing
65	951-10307	Flywheel Key
66	—	Crankshaft
75	951-11368	Oil Seal
80	951-11370	Oil Seal

Ref. No.	Part No.	Description
—	951-11059A	Gasket Kit, Complete
5	951-11565	Head Cover Gasket
21	951-11289	Muffler Gasket
30	951-11567	Carburetor Insulator Gasket
31	951-11896	Carburetor Insulator Plate
32	951-12005	Carburetor Gasket
34	951-11897	Carburetor Gasket Plate
46	951-11572	Cylinder Head Gasket
60	736-04461	Washer
61	951-11902	Governor Seal
62	714-04074	Cotter Pin
70	951-11371	Crankcase Cover Gasket
75	951-11368	Oil Seal
78	736-04440	Washer
80	951-11370	Oil Seal
—	951-11246	Crankcase Cover Kit
64	951-11369	Radial Ball Bearing
70	951-11371	Crankcase Cover Gasket
71	—	Case Cover
72	710-04932	Cover Bolts
73	951-11577	O-Ring
74	—	Oil Fill Plug
75	951-11368	Oil Seal
—	951-10661B	Gasket Kit, External
5	951-11565	Head Cover Gasket
21	951-11289	Muffler Gasket
30	951-11567	Carburetor Insulator Gasket
31	951-11896	Carburetor Insulator Plate
32	951-12005	Carburetor Gasket
34	951-11897	Carburetor Gasket Plate
78	736-04440	Washer



To order replacement parts, call a Customer Support Representative at (800) 965-4CUB.
Locate your nearest Cub Cadet dealer at (877) 282-8684
or visit www.cubcadet.com to find the nearest Cub Cadet dealer in your area.

CUB CADET LLC, P.O. BOX 361131 CLEVELAND, OHIO 44136-0019
