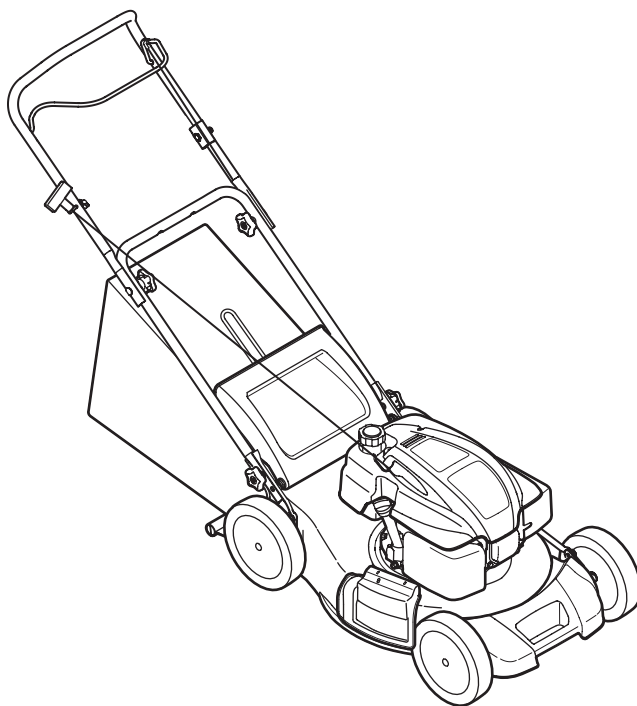


# *Cub Cadet*<sup>®</sup>

## OPERATOR'S MANUAL



### 19" Push Mower - Model 18M

#### **⚠ WARNING**

**READ AND FOLLOW ALL SAFETY RULES AND INSTRUCTIONS IN THIS MANUAL  
BEFORE ATTEMPTING TO OPERATE THIS MACHINE.  
FAILURE TO COMPLY WITH THESE INSTRUCTIONS MAY RESULT IN PERSONAL INJURY.**

---

P. O. Box 1386, 97 KENT AVENUE, KITCHENER, ON N2G 4J1

---

## Thank You

Thank you for purchasing your new equipment. It was carefully engineered to provide excellent performance when properly operated and maintained.

Please read this entire manual prior to operating the equipment. It instructs you how to safely and easily set up, operate and maintain your machine. Please be sure that you, and any other persons who will operate the machine, carefully follow the recommended safety practices at all times. Failure to do so could result in personal injury or property damage.

All information in this manual is relative to the most recent product information available at the time of printing. Review this manual frequently to familiarize yourself with the machine, its features and operation. Please be aware that this Operator's Manual may cover a range of product specifications for various models. Characteristics and features discussed and/or illustrated in this manual may not be applicable to all models.

The manufacturer reserves the right to change product specifications, designs and equipment without notice and without incurring obligation.

If you have any problems or questions concerning the machine, phone your local service dealer or contact us directly. Customer Support telephone numbers, website address and mailing address can be found on this page. We want to ensure your complete satisfaction at all times.

Throughout this manual, all references to *right* and *left* side of the machine are observed from the operating position.

The engine manufacturer is responsible for all engine-related issues with regards to performance, power-rating, specifications, warranty and service. Please refer to the engine manufacturer's Owner's/Operator's Manual, packed separately with your machine, for more information.

---

## Table of Contents

<b><i>Safe Operation Practices</i></b> .....	<b>3</b>	<b><i>Service</i></b> .....	<b>16</b>
<b><i>Assembly &amp; Set-Up</i></b> .....	<b>9</b>	<b><i>Troubleshooting</i></b> .....	<b>17</b>
<b><i>Controls &amp; Features</i></b> .....	<b>12</b>	<b><i>Replacement Parts</i></b> .....	<b>18</b>
<b><i>Operation</i></b> .....	<b>13</b>	<b><i>Warranty</i></b> .....	<b>19</b>
<b><i>Maintenance &amp; Adjustment</i></b> .....	<b>14</b>	<b><i>The SureStart Guarantee™</i></b> .....	<b>20</b>

---

## Record Product Information

Before setting up and operating your new equipment, please locate the model plate on the equipment and record the information in the provided area to the right. You can locate the model plate by standing at the operating position and looking down at the rear of the machine. This information will be necessary, should you seek technical support via our web site or with your local dealer.

### MODEL NUMBER

--	--	--	--	--	--	--	--	--	--	--	--

### SERIAL NUMBER

--	--	--	--	--	--	--	--	--	--	--	--

---

## Customer Support

**Please do NOT return the unit to the retailer from which it was purchased, without first contacting Customer Support.**

If you have difficulty assembling this product or have any questions regarding the controls, operation, or maintenance of this machine, you can seek help from the experts. Choose from the options below:

- ◇ Visit our web at [www.cubcadet.ca](http://www.cubcadet.ca)
- ◇ Locate your nearest dealer from Customer Support: 1-800-668-1238
- ◇ Contact Cub Cadet • P.O. Box 1386 • 97 Kent Avenue • Kitchener, Ontario, Canada • N2G 4J1



**WARNING:** This symbol points out important safety instructions which, if not followed, could endanger the personal safety and/or property of yourself and others. Read and follow all instructions in this manual before attempting to operate this machine. Failure to comply with these instructions may result in personal injury.

When you see this symbol. **HEED ITS WARNING!**



**WARNING:** Engine Exhaust, some of its constituents, and certain vehicle components contain or emit chemicals known to State of California to cause cancer and birth defects or other reproductive harm.



**WARNING:** Battery posts, terminals, and related accessories contain lead and lead compounds, chemicals known to the State of California to cause cancer and reproductive harm. *Wash hands after handling.*



**DANGER:** This machine was built to be operated according to the safe operation practices in this manual. As with any type of power equipment, carelessness or error on the part of the operator can result in serious injury. This machine is capable of amputating fingers, hands, toes and feet and throwing objects. Failure to observe the following safety instructions could result in serious injury or death.

---

## General Operation

1. Read this operator's manual carefully in its entirety before attempting to assemble this machine. Read, understand, and follow all instructions on the machine and in the manuals) before operation. Keep this manual in a safe place for future and regular reference and for ordering replacement parts.
2. Be completely familiar with the controls and the proper use of this machine before operating it.
3. This machine is a precision piece of power equipment, not a plaything. Therefore, exercise extreme caution at all times. This machine has been designed to perform one job: to mow grass. Do not use it for any other purpose.
4. Never allow children under 14 years of age to operate this machine. Children 14 and over should read and understand the instructions and safe operation practices in this manual and on the machine and should be trained and supervised by an adult.
5. Only responsible individuals who are familiar with these rules of safe operation should be allowed to use this machine.
6. Thoroughly inspect the area where the equipment is to be used. Remove all stones, sticks, wire, bones, toys and other foreign objects, which could be tripped over or picked up and thrown by the blade. Thrown objects can cause serious personal injury.
7. Plan your mowing pattern to avoid discharge of material toward roads, sidewalks, bystanders and the like. Also, avoid discharging material against a wall or obstruction, which may cause discharged material to ricochet back toward the operator.
8. To help avoid blade contact or a thrown object injury, stay in operator zone behind handles and keep children, bystanders, helpers and pets at least 75 feet from mower while it is in operation. Stop machine if anyone enters area.
9. Always wear safety glasses or safety goggles during operation and while performing an adjustment or repair to protect your eyes. Thrown objects which ricochet can cause serious injury to the eyes.
10. Wear sturdy, rough-soled work shoes and close-fitting slacks and shirts. Shirts and pants that cover the arms and legs and steel-toed shoes are recommended. Never operate this machine in bare feet, sandals, slippery or light-weight (e.g. canvas) shoes.
11. Do not put hands or feet near rotating parts or under the cutting deck. Contact with blade can amputate fingers, hands, toes and feet.

12. A missing or damaged discharge cover can cause blade contact or thrown object injuries.
13. Many injuries occur as a result of the mower being pulled over the foot during a fall caused by slipping or tripping. Do not hold on to the mower if you are falling; release the handle immediately.
14. Never pull the mower back toward you while you are walking. If you must back the mower away from a wall or obstruction first look down and behind to avoid tripping and then follow these steps:
  - a. Step back from mower to fully extend your arms.
  - b. Be sure you are well balanced with sure footing.
  - c. Pull the mower back slowly, no more than half way toward you.
  - d. Repeat these steps as needed.
15. Do not operate the mower while under the influence of alcohol or drugs.
16. Do not engage the self-propelled mechanism on machines so equipped while starting engine.
17. The blade control handle is a safety device. Never attempt to bypass its operation. Doing so makes the safety device inoperative and may result in personal injury through contact with the rotating blade. The blade control handle must operate easily in both directions and automatically return to the disengaged position when released.
18. Never operate the mower in wet grass. Always be sure of your footing. A slip and fall can cause serious personal injury. If you feel you are losing your footing, release the blade control handle immediately and the blade will stop rotating within three seconds.
19. Mow only in daylight or good artificial light. Walk, never run.
20. Stop the blade when crossing gravel drives, walks or roads.
21. If the equipment should start to vibrate abnormally, stop the engine and check immediately for the cause. Vibration is generally a warning of trouble.
22. Shut the engine off and wait until the blade comes to a complete stop before removing the grass catcher or unclogging the chute. The cutting blade continues to rotate for a few seconds after the blade control is released. Never place any part of the body in the blade area until you are sure the blade has stopped rotating.
23. Never operate mower without proper trail shield, discharge cover, grass catcher, blade control handle or other safety protective devices in place and working. Never operate mower with damaged safety devices. Failure to do so can result in personal injury.
24. Muffler and engine become hot and can cause a burn. Do not touch.
25. Never attempt to make a wheel or cutting height adjustment while the engine is running.
26. Only use parts and accessories made for this machine by the manufacturer. Failure to do so can result in personal injury.
27. When starting engine, pull cord slowly until resistance is felt, then pull rapidly. Rapid retraction of starter cord (kickback) will pull hand and arm toward engine faster than you can let go. Broken bones, fractures, bruises or sprains could result.
28. If situations occur which are not covered in this manual, use care and good judgement. Contact Customer Support for assistance or the name of the nearest service dealer.

## Slope Operation

Slopes are a major factor related to slip and fall accidents, which can result in severe injury. Operation on slopes requires extra caution. If you feel uneasy on a slope, do not mow it. For your safety, use the slope gauge included as part of this manual to measure slopes before operating this machine on a sloped or hilly area. If the slope is greater than 15 degrees, do not mow it.

### Do:

1. Mow across the face of slopes; never up and down. Exercise extreme caution when changing direction on slopes.
2. Watch for holes, ruts, rocks, hidden objects, or bumps which can cause you to slip or trip. Tall grass can hide obstacles.
3. Always be sure of your footing. A slip and fall can cause serious personal injury. If you feel you are losing your balance, release the blade control handle immediately and the blade will stop rotating within three (3) seconds.

### Do Not:

1. Do not mow near drop-offs, ditches or embankments, you could lose your footing or balance.
2. Do not mow slopes greater than 15 degrees as shown on the slope gauge.
3. Do not mow on wet grass. Unstable footing could cause slipping.

## Children

Tragic accidents can occur if the operator is not alert to the presence of children. Children are often attracted to the mower and the mowing activity. They do not understand the dangers. Never assume that children will remain where you last saw them.

1. Keep children out of the mowing area and under watchful care of a responsible adult other than the operator.
2. Be alert and turn mower off if a child enters the area.
3. Before and while moving backwards, look behind and down for small children.
4. Use extreme care when approaching blind corners, doorways, shrubs, trees, or other objects that may obscure your vision of a child who may run into the mower.
5. Keep children away from hot or running engines. They can suffer burns from a hot muffler.
6. Never allow children under 14 years of age to operate this machine. Children 14 and over should read and understand the instructions and safe operation practices in this manual and on the machine and be trained and supervised by an adult.

## Service

### Safe Handling Of Gasoline:

1. To avoid personal injury or property damage use extreme care in handling gasoline. Gasoline is extremely flammable and the vapors are explosive. Serious personal injury can occur when gasoline is spilled on yourself or your clothes, which can ignite. Wash your skin and change clothes immediately.
2. Use only an approved gasoline container.
3. Never fill containers inside a vehicle or on a truck or trailer bed with a plastic liner. Always place containers on the ground away from your vehicle before filling.
4. Remove gas-powered equipment from the truck or trailer and refuel it on the ground. If this is not possible, then refuel such equipment on a trailer with a portable container, rather than from a gasoline dispenser nozzle.
5. Keep the nozzle in contact with the rim of the fuel tank or container opening at all times until fueling is complete. Do not use a nozzle lock-open device.
6. Extinguish all cigarettes, cigars, pipes and other sources of ignition.
7. Never fuel machine indoors because flammable vapors will accumulate in the area.
8. Never remove gas cap or add fuel while engine is hot or running. Allow engine to cool at least two minutes before refueling.
9. Never over fill fuel tank. Fill tank to no more than 1 inch below bottom of filler neck to provide for fuel expansion.
10. Replace gasoline cap and tighten securely.
11. If gasoline is spilled, wipe it off the engine and equipment. Move machine to another area. Wait 5 minutes before starting engine.
12. Never store the machine or fuel container near an open flame, spark or pilot light as on a water heater, space heater, furnace, clothes dryer or other gas appliances.
13. To reduce fire hazard, keep machine free of grass, leaves, or other debris build-up. Clean up oil or fuel spillage and remove any fuel soaked debris.
14. Allow machine to cool at least 5 minutes before storing.
3. Check the blade and engine mounting bolts at frequent intervals for proper tightness. Also, visually inspect blade for damage (e.g., bent, cracked, worn) Replace blade with the original equipment manufacturer's (O.E.M.) blade only, listed in this manual. "Use of parts which do not meet the original equipment specifications may lead to improper performance and compromise safety!"
4. Mower blades are sharp and can cut. Wrap the blade or wear gloves, and use extra caution when servicing them.
5. Keep all nuts, bolts, and screws tight to be sure the equipment is in safe working condition.
6. Never tamper with safety devices. Check their proper operation regularly.
7. After striking a foreign object, stop the engine, disconnect the spark plug wire and ground against the engine. Thoroughly inspect the mower for any damage. Repair the damage before starting and operating the mower.
8. Never attempt to make a wheel or cutting height adjustment while the engine is running.
9. Grass catcher components, discharge cover, and trail shield are subject to wear and damage which could expose moving parts or allow objects to be thrown. For safety protection, frequently check components and replace immediately with original equipment manufacturer's (O.E.M.) parts only, listed in this manual. "Use of parts which do not meet the original equipment specifications may lead to improper performance and compromise safety!"
10. Do not change the engine's governor setting or over-speed the engine. The governor controls the maximum safe operating speed of the engine.
11. Check fuel line, tank, cap, and fittings frequently for cracks or leaks. Replace if necessary.
12. Do not crank engine with spark plug removed.
13. Maintain or replace safety and instruction labels, as necessary.
14. Observe proper disposal laws and regulations. Improper disposal of fluids and materials can harm the environment.
15. According to the Consumer Products Safety Commission (CPSC) and the U.S. Environmental Protection Agency (EPA), this product has an *Average Useful Life* of seven (7) years, or 140 hours of operation. At the end of the *Average Useful Life* have the machine inspected annually by an authorized service dealer to ensure that all mechanical and safety systems are working properly and not worn excessively. Failure to do so can result in accidents, injuries or death.

### General Service:

1. Never run an engine indoors or in a poorly ventilated area. Engine exhaust contains carbon monoxide, an odorless and deadly gas.
2. Before cleaning, repairing, or inspecting, make certain the blade and all moving parts have stopped. Disconnect the spark plug wire and ground against the engine to prevent unintended starting.

### Do not modify engine

To avoid serious injury or death, do not modify engine in any way. Tampering with the governor setting can lead to a runaway engine and cause it to operate at unsafe speeds. Never tamper with factory setting of engine governor.

## Notice Regarding Emissions

Engines which are certified to comply with California and federal EPA emission regulations for SORE (Small Off Road Equipment) are certified to operate on regular unleaded gasoline, and may include the following emission control systems: Engine Modification (EM), Oxidizing Catalyst (OC), Secondary Air Injection (SAI) and Three Way Catalyst (TWC) if so equipped.

## Spark Arrestor












**WARNING:** This machine is equipped with an internal combustion engine and should not be used on or near any unimproved forest-covered, brush covered or grass-covered land unless the engine's exhaust system is equipped with a spark arrester meeting applicable local or state laws (if any).

If a spark arrester is used, it should be maintained in effective working order by the operator.

A spark arrester for the muffler is available through your nearest engine authorized service dealer.

## Safety Symbols

This page depicts and describes safety symbols that may appear on this product. Read, understand, and follow all instructions on the machine before attempting to assemble and operate.

Symbol	Description
	<b>READ THE OPERATOR'S MANUAL(S)</b> Read, understand, and follow all instructions in the manual(s) before attempting to assemble and operate.
	<b>DANGER — ROTATING BLADES</b> To reduce the risk of injury, keep hands and feet away. Do not operate unless discharge cover or grass catcher is in its proper place. If damaged, replace immediately.
	<b>DANGER — BYSTANDERS</b> Do not mow when children or others are around.
	<b>DANGER — HAND/ FOOT CUT</b> Keep hands and feet away from rotating parts.
	<b>DANGER — THROWN DEBRIS</b> Remove objects that can be thrown by the blade in any direction. Wear safety glasses.
	<b>DANGER — SLOPES</b> Use extra caution on slopes. Do not mow slopes greater than 15°.
	<b>WARNING—GASOLINE IS FLAMMABLE</b> Allow the engine to cool at least two minutes before refueling.
	<b>WARNING— CARBON MONOXIDE</b> Never run an engine indoors or in a poorly ventilated area. Engine exhaust contains carbon monoxide, an odorless and deadly gas.
	<b>WARNING— HOT SURFACE</b> Engine parts, especially the muffler, become extremely hot during operation. Allow engine and muffler to cool before touching.



**WARNING:** Your Responsibility—Restrict the use of this power machine to persons who read, understand and follow the warnings and instructions in this manual and on the machine.

**SAVE THESE INSTRUCTIONS!**

## Slope Gauge

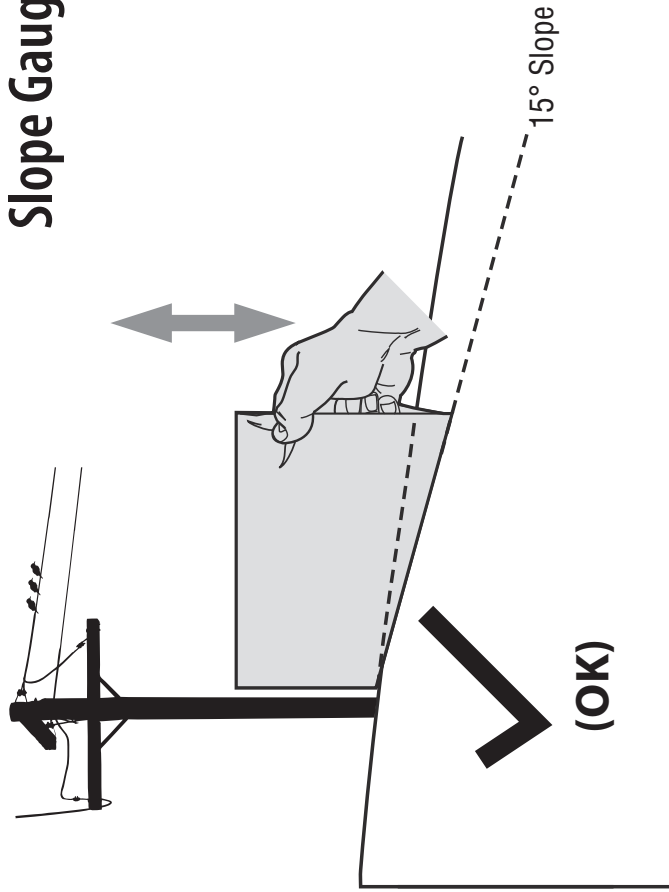


Figure 1

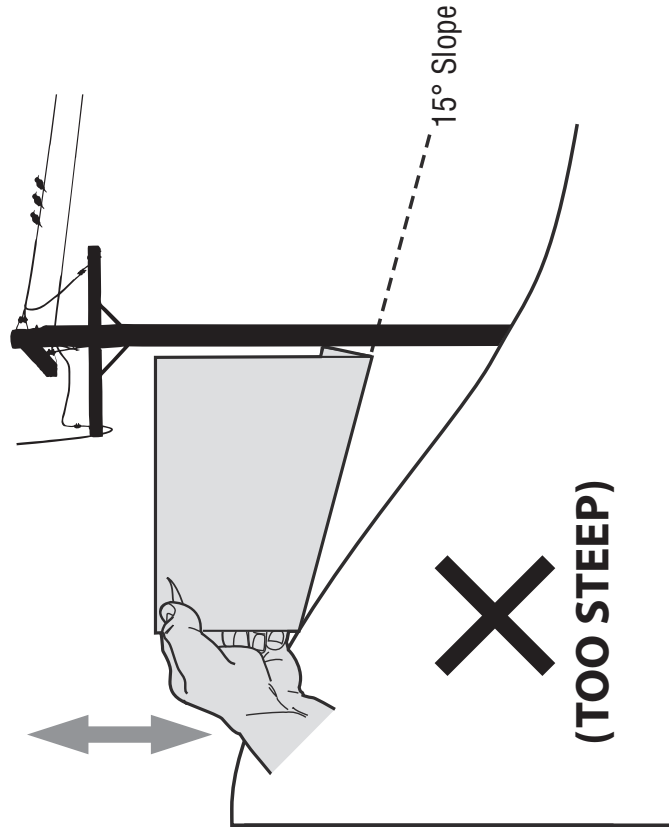


Figure 2

*15° dashed line*

### USE THIS SLOPE GAUGE TO DETERMINE IF A SLOPE IS TOO STEEP FOR SAFE OPERATION!

To check the slope, proceed as follows:

1. Remove this page and fold along the dashed line.
2. Locate a vertical object on or behind the slope (e.g. a pole, building, fence, tree, etc.)
3. Align either side of the slope gauge with the object (See Figure 1 and Figure 2).
4. Adjust gauge up or down until the left corner touches the slope (See Figure 1 and Figure 2).
5. If there is a gap below the gauge, the slope is too steep for safe operation (See Figure 2 above).



**WARNING!** Slopes are a major factor related to tip-over and roll-over accidents which can result in severe injury or death. Do not operate machine on slopes in excess of 15 degrees. All slopes require extra caution.

Always mow across the face of slopes, never up and down slopes.



## Contents of Carton

- One Lawn Mower
- One Engine Operator's Manual
- One Grass Catcher
- One Side Discharge Chute
- One Lawn Mower Operator's Manual
- One Bottle of Oil

## Assembly

**NOTE:** This unit is shipped without gasoline or oil in the engine. Fill up gasoline and oil as instructed in the accompanying engine manual BEFORE operating your mower.

### Handle

1. Remove any packing material which may be between upper and lower handles.
  - a. Pull up and back on upper handle as shown in Fig. 3-1. Do not crimp cable while lifting the handle up. Remove star knobs from handle mounting brackets and secure the lower handle onto the handle brackets by placing the lower hole of the lower handle onto the pins of the handle brackets.
  - b. Tighten star knobs securing upper handle to lower handle. See Fig. 3-1. Make sure that each carriage bolt is seated properly in the handle.

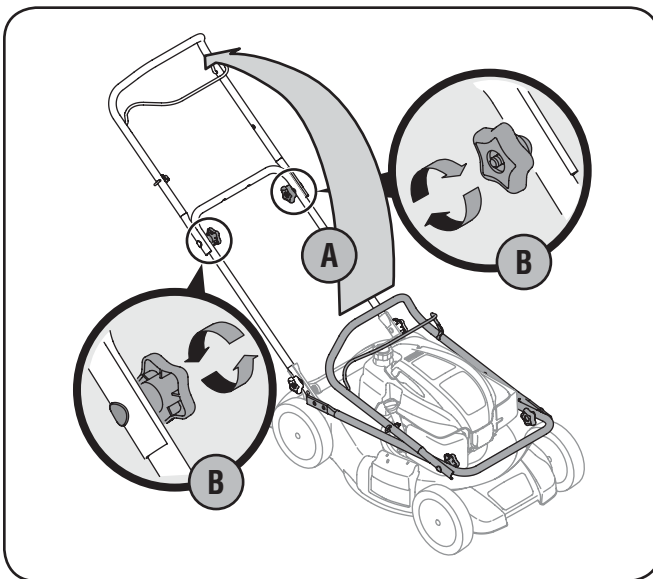


Figure 3-1

2. Tighten star knobs securing lower handle to handle brackets. See Fig. 3-2. Make certain the lower handle is seated securely into the handle mounting brackets.

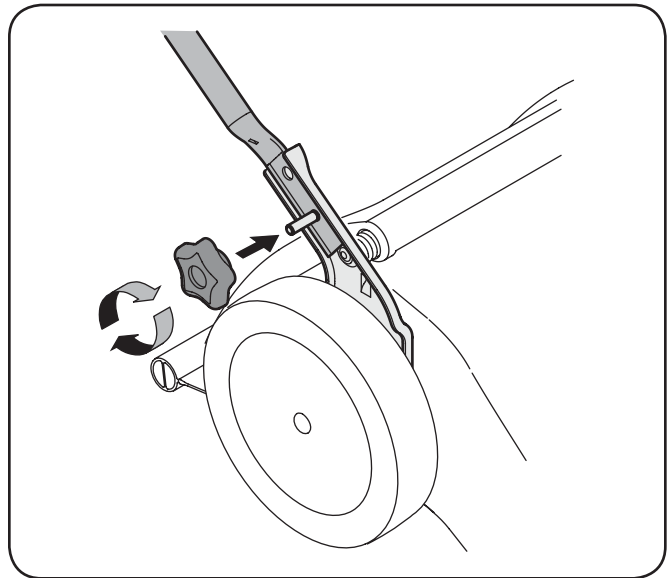


Figure 3-2

3. The rope guide is attached to the right side of the upper handle. Loosen the wing nut which secures it to the upper handle. Refer to Fig. 3-3.

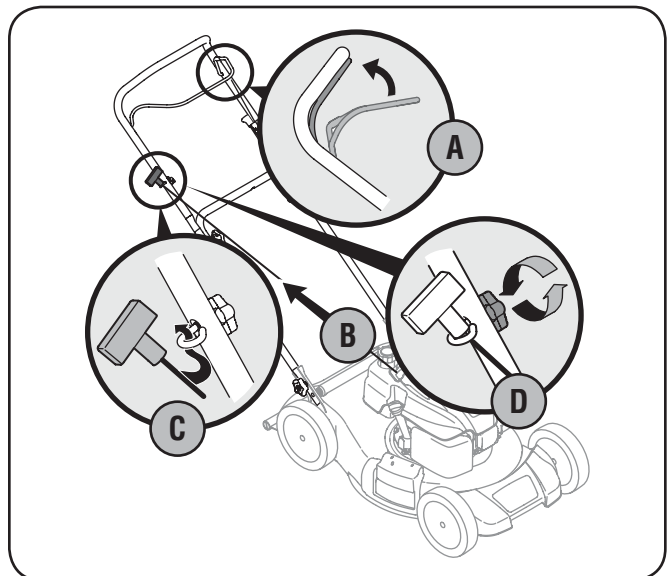


Figure 3-3

- a. Hold blade control against upper handle.
  - b. Pull starter rope out of the engine. Release blade control handle.
  - c. Slip starter rope into rope guide.
  - d. Tighten wing nut.
4. Insert post on cable ties into holes provided on the lower handle. Pull cable tie tight and trim excess.

### Grass Catcher

1. Follow steps below to assemble the grass catcher (if needed). Make certain bag is turned right side out before assembling (warning label will be on the outside).
  - a. Place bag over frame so that its black plastic side is at the bottom.
  - b. Slip plastic channel of grass bag over hooks on the frame. See Fig. 3-4. All the plastic channels except center top of bag attach from outside of bag.

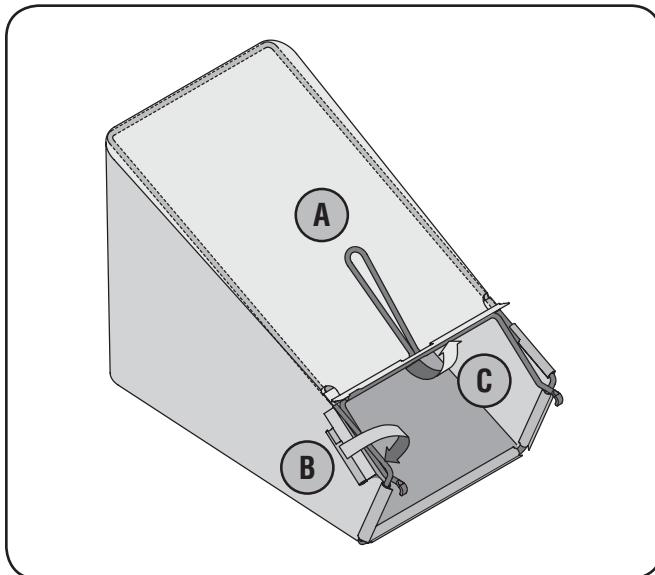


Figure 3-4

- c. Attach center top of bag from inside of bag.
2. Before attaching the grass catcher, the mulching baffle must be removed.
    - a. Lift rear discharge door.
    - b. Remove mulching baffle. See Fig. 3-5.

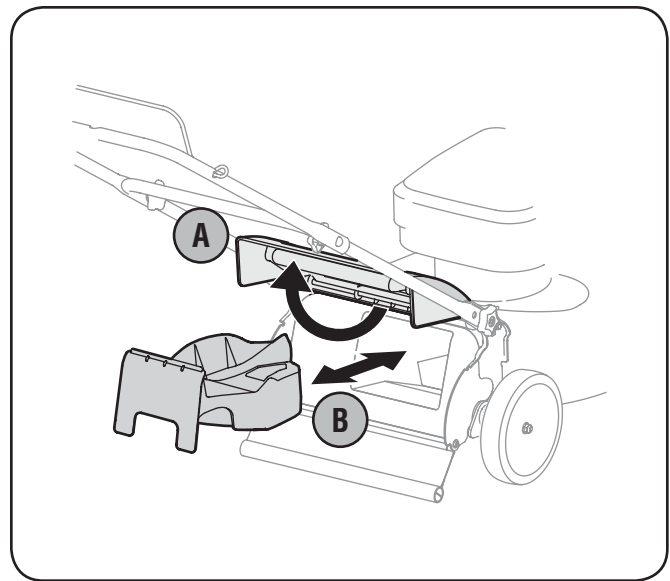


Figure 3-5

3. Follow steps below to attach grass catcher:
  - a. Lift rear discharge door.
  - b. Place grass catcher on the pivot rod. Let go of discharge door so that it rests on the grass catcher. See Fig. 3-6.

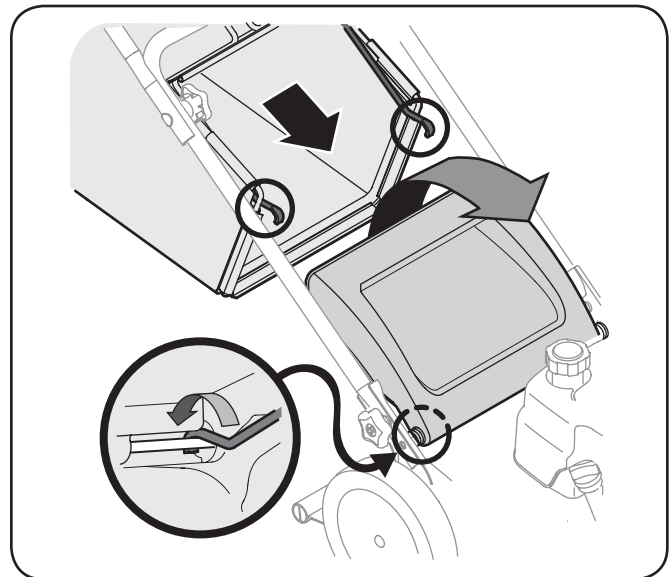


Figure 3-6

To remove grass catcher, lift rear discharge door on the mower. Lift grass catcher up and out, off of the pivot rod. Release rear discharge door to allow it to close rear opening of mower.



**WARNING:** Never operate mower unless the hooks on the grass catcher are firmly seated on the pivot rod and the rear discharge door rests firmly against top of the grass catcher.

## Side Discharge Chute

To convert to side discharge, make sure grass catcher is off of the unit, the rear mulch plug is removed, and rear discharge door is closed.

1. On the side of the mower, lift the mulching plug.
2. Slide chute hooks under hinge pin on mulching plug assembly. Lower mulching plug. See Fig. 3-7. Do not remove side mulching plug at any time, even when you are not mulching.

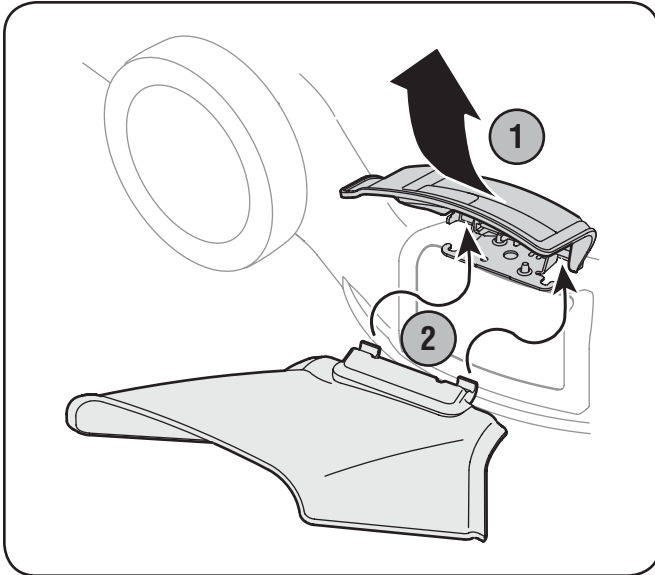


Figure 3-7

## Adjustments

1. The cutting height adjustment lever is located above the rear left wheel. See Fig. 3-8.

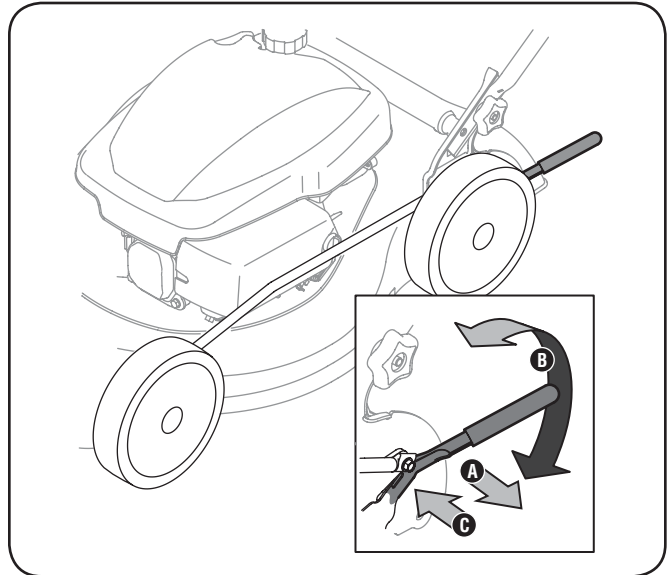


Figure 3-8

- a. Pull the lever out and away from the mower.
- b. Move the lever forward or back for desired cutting height.
- c. Release lever towards mower deck.

## Gas and Oil Fill-Up

Refer to the Operation section in the Engine manual for additional engine information.

1. Add oil provided before starting unit for the first time out of the box.
2. Service the engine with gasoline as instructed in the Operation section of the Engine manual.



**WARNING:** Use extreme care when handling gasoline. Gasoline is extremely flammable and the vapors are explosive. Never fuel the machine indoors or while the engine is hot or running. Extinguish cigarettes, cigars, pipes and other sources of ignition.

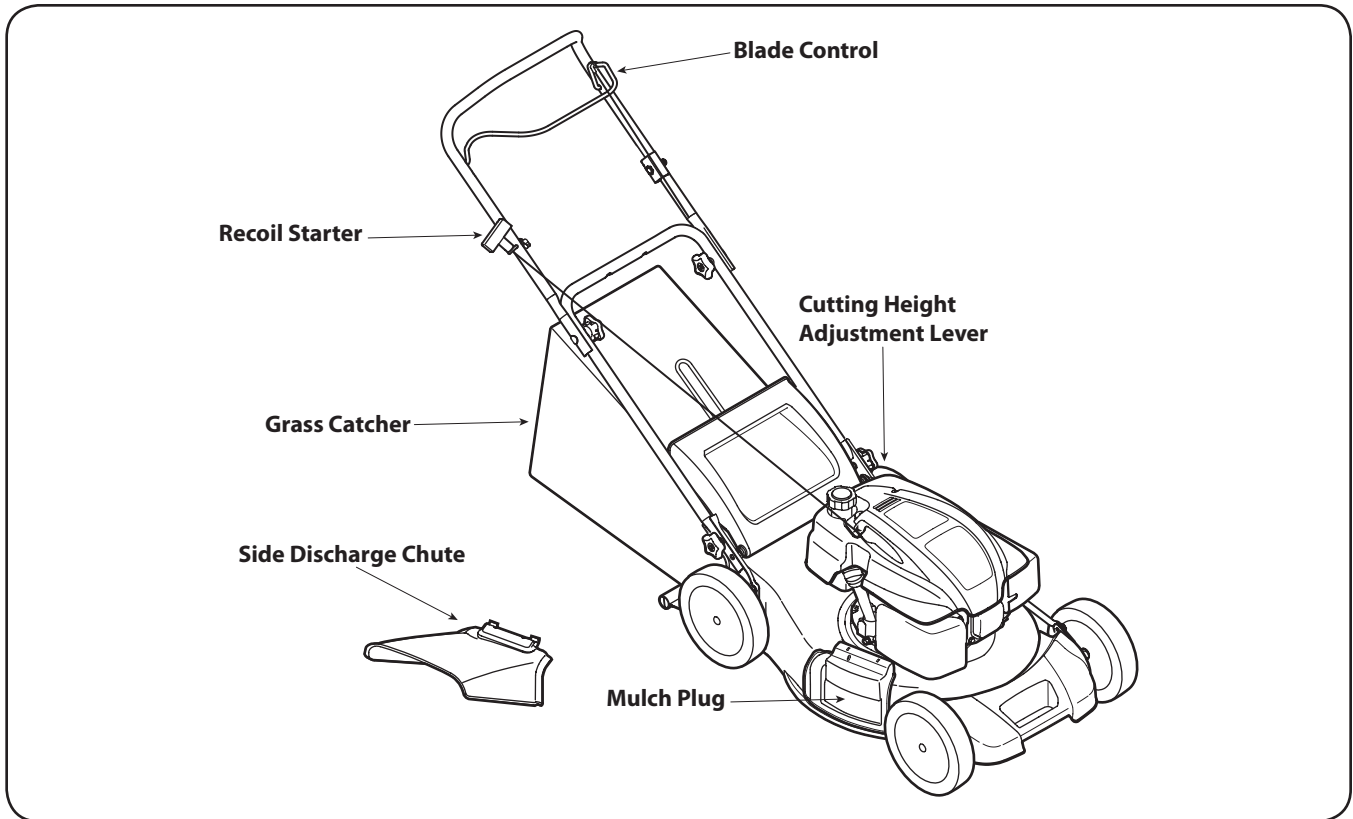


Figure 4-1

## Blade Control

The blade control is attached to the upper handle of the mower. Depress and squeeze it against the upper handle to operate the unit. Release it to stop engine and blade. See Fig. 4-1.



**WARNING:** This blade control is a safety device. Never attempt to bypass its operations.

## Cutting Height Adjustment Lever

The cutting height adjustment lever is located above the left rear wheel. To adjust the cutting height, refer to the "Assembly & Set-Up" Section.

## Grass Catcher

The grass catcher, located at the rear of the mower, is used to bag the grass clippings for disposal at another site. Once the bag is full, it has to be removed from the mower and emptied before any further mowing.

## Mulching Plug

The mulching plug is used for mulching purpose. Instead of collecting the grass clippings in the grass catcher, your mower has the option of recirculating the clippings back to the lawn. Make sure that the rear discharge door is closed and the grass catcher is removed from unit while mulching.

## Side Discharge Chute

Your mower is shipped as a mulcher. To discharge the grass clippings to the side instead, follow the instructions in the "Assembly & Set-Up" section to attach the side discharge chute.



**WARNING:** Keep hands and feet away from the chute area on cutting deck. Refer to warning label on the unit.

## Recoil Starter

The recoil starter is attached to the right upper handle. Stand behind the unit and pull the recoil starter rope to start the unit.

## Starting & Stopping Engine

Refer to the Engine Operator's manual packed with your lawn mower for instructions on starting and stopping the engine.

## Using Your Lawn Mower

Be sure lawn is clear of stones, sticks, wire, or other objects which could damage lawn mower or engine. Such objects could be accidentally thrown by the mower in any direction and cause serious personal injury to the operator and others.



**WARNING:** The operation of any lawn mower can result in foreign objects being thrown into the eyes, which can damage your eyes severely. Always wear safety glasses while operating the mower, or while performing any adjustments or repairs on it.

## Using as Mulcher (If Equipped)

For mulching grass, remove the side discharge chute (if equipped) or the grass catcher (if equipped) and allow the rear discharge door (if equipped) to close the rear opening of mower. For effective mulching, do not cut wet grass. If the grass has been allowed to grow in excess of four inches, mulching is not recommended. Use the grass catcher to bag clippings instead.

## Using Grass Catcher (If Equipped)

You can use the grass catcher to collect clippings while you are operating the mower.

1. Attach grass catcher following instructions in the "Assembly & Set-Up" section. Grass clippings will automatically collect in bag as you run mower. Operate mower till grass bag is full.
2. Stop engine completely by releasing the blade control. Make sure that the unit has come to a complete stop.
3. Lift discharge door and pull grass bag up and away from the mower to remove the bag. Dispose of the grass clippings and reinstall the bag when complete.



**WARNING:** If you strike a foreign object, stop the engine. Remove wire from the spark plug, thoroughly inspect mower for any damage, and repair damage before restarting and operating. Extensive vibration of mower during operation is an indication of damage. The unit should be promptly inspected and repaired.

## Maintenance

### General Recommendations

- Always observe safety rules when performing any maintenance.
- The warranty on this lawn mower does not cover items that have been subjected to operator abuse or negligence. To receive full value from warranty, operator must maintain the lawn mower as instructed here.
- Changing of engine-governed speed will void engine warranty.
- All adjustments should be checked at least once each season.
- Periodically check all fasteners and make sure these are tight.



**WARNING:** Always stop engine, disconnect spark plug, and ground against engine before performing any type of maintenance on your machine.

### Lubrication

1. Lubricate pivot points on the blade control at least once a season with light oil. This control must operate freely in both directions. See Fig. 6-1.

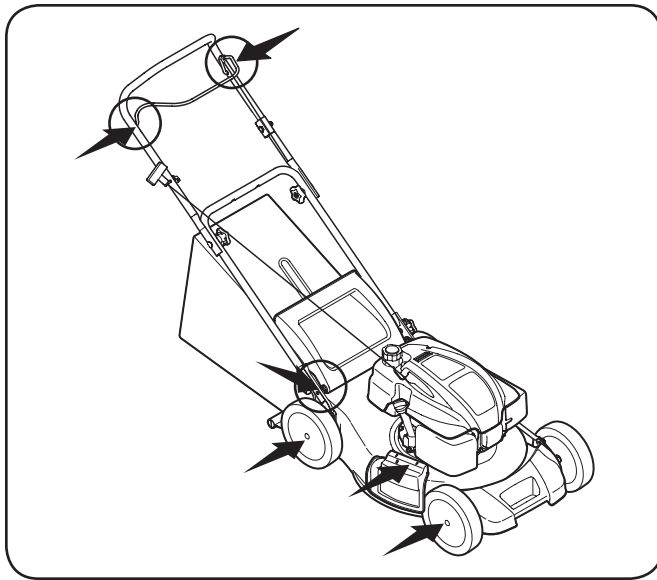


Figure 6-1

2. Lubricate the wheels at least once a season with light oil (or motor oil). If wheels are removed for any reason, lubricate surface of the pivot arm and inner surface of the wheel with light oil. See Fig. 6-1.
3. Lubricate the torsion spring and pivot point on the rear discharge door and side mulch plug periodically with light oil to prevent rust. See Fig. 6-1.
4. Follow the Engine Maintenance section in the accompanying engine manual for lubrication schedule and instruction for engine lubrication.

### Deck Care

Clean underside of the mower deck after each use to prevent build-up of grass clippings or other debris. Follow steps below for this job.

1. Disconnect spark plug wire. Drain gasoline from lawn mower or place a piece of plastic under the gas cap.
2. Tip mower so that it rests on the housing. Keep the side with the air cleaner facing up. Hold mower firmly.



**WARNING:** Never tip the mower more than 90° in any direction and do not leave the mower tipped for any length of time. Oil can drain into the upper part of the engine causing a starting problem.

3. Scrape and clean the underside of the deck with a suitable tool. Do not spray with water.  
**IMPORTANT:** Do not use a pressure washer or garden hose to clean your unit. These may cause damage to the engine. The use of water will result in shortened life and reduce serviceability.
4. Put the mower back on its wheels on the ground. If you had put plastic under the gas cap earlier, make sure to remove it now.

## Engine Care

1. Refer to the separate engine manual for engine maintenance instructions.
2. Maintain engine oil as instructed in the separate engine manual packed with your unit. Read and follow instructions carefully.
3. Under normal conditions service air cleaner as instructed in the separate engine manual packed with your unit. Clean every few hours under extremely dusty conditions. Poor engine performance and flooding usually indicates that the air cleaner should be serviced.
4. The spark plug should be cleaned and the gap reset once a season. Spark plug replacement is recommended at the start of each mowing season; check engine manual for correct plug type and gap specifications.

**NOTE:** This spark ignition system meets all requirements of the Canadian Interference-Causing Equipment Regulations.

5. Clean the engine regularly with a cloth or brush. Keep the cooling system (blower housing area) clean to permit proper air circulation which is essential to engine performance and life. Be certain to remove all grass, dirt and combustible debris from muffler area.

## Replacing Rear Flap

1. To remove rear flap, lift rear door, and remove screw on either side to remove from hole. See Fig. 6-2.
2. Remove screw and flap from opposite hole and replace with new flap in the opposite order and manner of removal.

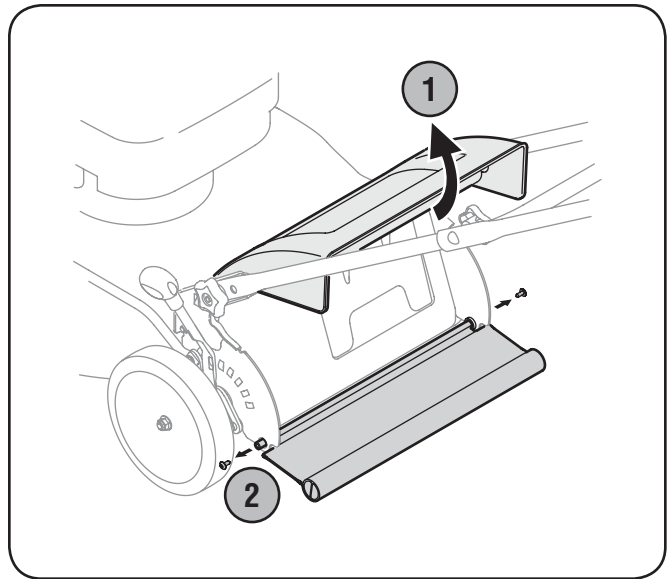


Figure 6-2

## Blade Care



**WARNING:** When removing the cutting blade for sharpening or replacement, protect your hands with a pair of heavy gloves or use a heavy rag to hold the blade.

Periodically inspect the blade adapter for cracks, especially if you strike a foreign object. Replace when necessary. Follow the steps below for blade service.

1. Disconnect spark plug boot from spark plug. Turn mower on its side making sure that the air filter and the carburetor are facing up.
2. Remove the bolt and the blade bell support which hold the blade and the blade adapter to the engine crankshaft. See Fig. 7-1.
3. Remove blade and adapter from the crankshaft. See Fig. 7-1.

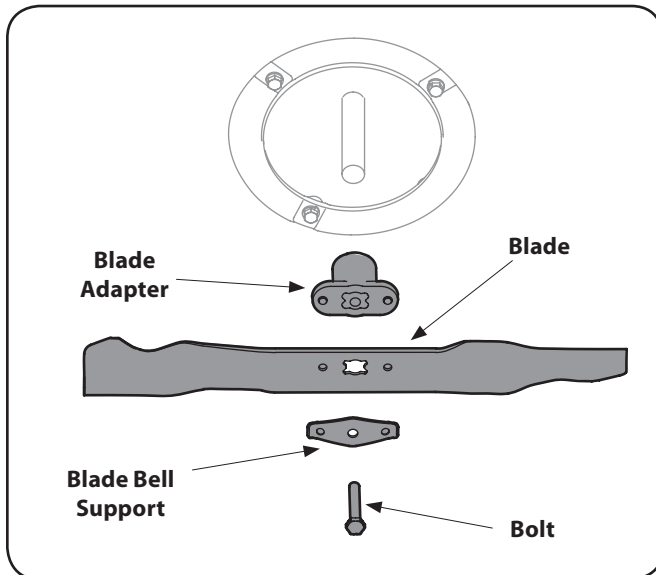


Figure 7-1

4. Remove blade from the adapter for testing balance. Balance the blade on a round shaft screwdriver to check. Remove metal from the heavy side until it balances evenly. When sharpening the blade, follow the original angle of grind. Grind each cutting edge equally to keep the blade balanced.



**WARNING:** An unbalanced blade will cause excessive vibration when rotating at high speeds. It may cause damage to mower and could break causing personal injury.

5. Lubricate the engine crankshaft and the inner surface of the blade adapter with light oil. Slide the blade adapter onto the engine crankshaft. Place the blade on the adapter such that the side of the blade marked "Bottom" (or with part number) faces the ground when the mower is in the operating position. Make sure that the blade is aligned and seated on the blade adapter flanges.
6. Place blade bell support on the blade. Align notches on the blade bell support with small holes in blade.
7. Replace hex bolt and tighten hex bolt to torque: 450 in. lbs. min., 600 in. lbs. max.

To ensure safe operation of your mower, periodically check the blade bolt for correct torque.

## Off-Season Storage


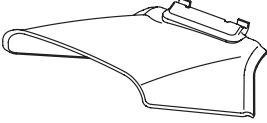
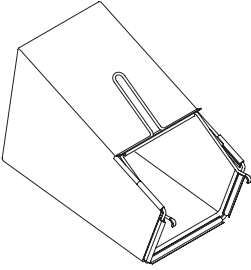
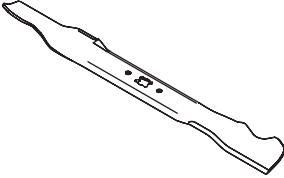
The following steps should be taken to prepare your lawn mower for storage.

- Clean and lubricate mower thoroughly as described in the lubrication instructions.
- Do not use a pressure washer or garden hose to clean your unit.
- Coat mower's cutting blade with chassis grease to prevent rusting.
- Store mower in a dry, clean area. Do not store next to corrosive materials, such as fertilizer.
- Refer to engine manual for correct engine storage instructions.

When storing any type of power equipment in a poorly ventilated or metal storage shed, care should be taken to rust-proof the equipment. Using a light oil or silicone, coat the equipment, especially cables and all moving parts of your lawn mower before storage.



Problem	Cause	Remedy
Engine Fails to start	<ol style="list-style-type: none"> <li>1. Blade control disengaged.</li> <li>2. Spark plug boot disconnected.</li> <li>3. Fuel tank empty or stale fuel.</li> <li>4. Engine not primed (if equipped with primer).</li> <li>5. Faulty spark plug.</li> <li>6. Blocked fuel line.</li> <li>7. Engine flooded.</li> <li>8. Fuel valve (if equipped) closed.</li> <li>9. Engine not choked (if equipped with choke).</li> <li>10. Burnt fuse. (Electric Start Only).</li> </ol>	<ol style="list-style-type: none"> <li>1. Engage blade control.</li> <li>2. Connect wire to spark boot.</li> <li>3. Fill tank with clean, fresh gasoline.</li> <li>4. Prime engine as instructed in the Operation section.</li> <li>5. Clean, adjust gap, or replace.</li> <li>6. Clean fuel line.</li> <li>7. Wait a few minutes to restart, but do not prime.</li> <li>8. Open fuel valve. See engine manual.</li> <li>9. Choke engine. See engine manual.</li> <li>10. Replace fuse. (See Maintenance Section).</li> </ol>
Engine runs erratic	<ol style="list-style-type: none"> <li>1. Spark plug boot loose.</li> <li>2. Blocked fuel line or stale fuel.</li> <li>3. Vent in gas cap plugged.</li> <li>4. Water or dirt in fuel system.</li> <li>5. Dirty air cleaner.</li> <li>6. Unit running with CHOKE applied or in the "ON" position (if equipped).</li> </ol>	<ol style="list-style-type: none"> <li>1. Connect and tighten spark plug boot.</li> <li>2. Clean fuel line; fill tank with clean, fresh gasoline.</li> <li>3. Clear vent.</li> <li>4. Drain fuel tank. Refill with fresh fuel.</li> <li>5. Refer to engine manual.</li> <li>6. Put CHOKE in the "OFF" position..</li> </ol>
Engine overheats	<ol style="list-style-type: none"> <li>1. Engine oil level low.</li> <li>2. Air flow restricted.</li> </ol>	<ol style="list-style-type: none"> <li>1. Fill crankcase with proper oil.</li> <li>2. Clean area around and on top of engine.</li> </ol>
Occasional skips (hesitates) at high speed	<ol style="list-style-type: none"> <li>1. Spark plug gap too close.</li> </ol>	<ol style="list-style-type: none"> <li>1. Adjust gap to .030". Refer to engine manual.</li> </ol>
Idles poorly	<ol style="list-style-type: none"> <li>1. Spark plug fouled, faulty, or gap too wide.</li> <li>2. Dirty air cleaner.</li> </ol>	<ol style="list-style-type: none"> <li>1. Reset gap to .030" or replace spark plug.</li> <li>2. Refer to engine manual.</li> </ol>
Excessive Vibration	<ol style="list-style-type: none"> <li>1. Cutting blade loose or unbalanced.</li> <li>2. Bent cutting blade.</li> </ol>	<ol style="list-style-type: none"> <li>1. Tighten blade and adapter. Balance blade.</li> <li>2. See an authorized service dealer.</li> </ol>
Mower will not mulch grass	<ol style="list-style-type: none"> <li>1. Wet grass.</li> <li>2. Excessively high grass.</li> <li>3. Dull blade.</li> </ol>	<ol style="list-style-type: none"> <li>1. Do not mow when grass is wet; wait until later to cut.</li> <li>2. Mow once at a high cutting height, then mow again at desired height or make a narrower cutting path.</li> <li>3. Sharpen or replace blade.</li> </ol>
Uneven cut	<ol style="list-style-type: none"> <li>1. Wheels not positioned correctly.</li> <li>2. Dull blade.</li> </ol>	<ol style="list-style-type: none"> <li>1. Place front and rear wheels in same height position.</li> <li>2. Sharpen or replace blade.</li> </ol>

Component	Part Number and Description
	634-04346      Wheel (Front) 634-04347      Wheel (Rear)
	731-04177      Side Discharge Chute
	964-04066      Grass Bag
	942-0739      Mulching Blade

**NOTE:** Download a complete Parts Manual, refer to customer support on page 2. Be sure to have your model number and serial number ready. Refer to page 2 for more information regarding locating your model and serial numbers.

# CUB CADET LLC

## MANUFACTURER'S LIMITED WARRANTY FOR WALK-BEHIND MOWERS

**IMPORTANT:** To obtain warranty coverage owner must present an original proof of purchase and applicable maintenance records to the servicing dealer. Please see the operator's manual for information on required maintenance and service intervals.

The limited warranty set forth below is given by Cub Cadet LLC with respect to new merchandise purchased or leased and used in the United States and/or its territories and possessions, and by MTD Products Limited with respect to new merchandise purchased or leased and used in Canada and/or its territories and possessions (either entity respectively, "Cub Cadet").

Cub Cadet warrants this product (excluding its *Normal Wear Parts and Batteries*, as described below) against defects in material and workmanship for a period of three (3) years, commencing on the date of original retail purchase or lease and will, at its option, repair or replace, free of charge, any part found to be defective in materials or workmanship.

*Normal Wear Parts* are warranted to be free from defects in material and workmanship for a period of thirty (30) days from the date of original purchase or lease. Normal wear parts include, but are not limited to items such as: belts, blades, blade adapters, grass bags, engine oil, air filters, spark plugs and wheels.

*Batteries* have a one-year prorated limited warranty against defects in material and workmanship, with 100% replacement during the first three months. After three months, the battery replacement credit is based on the months remaining in the twelve (12) month period dating back to the original date of original sale or lease. Any replacement battery will be warranted only for the remainder of the original warranty period.

This limited warranty shall only apply if this product has been operated and maintained in accordance with the Operator's Manual furnished with the product, and has not been subject to misuse, abuse, commercial use, neglect, accident, improper maintenance, alteration, vandalism, theft, fire, water, or damage because of other peril or natural disaster. Damage resulting from the installation or use of any part, accessory or attachment not approved by Cub Cadet for use with the product(s) covered by this manual will void your warranty as to any resulting damage. In addition, Cub Cadet may deny warranty coverage if the hour meter, or any part thereof, is altered, modified, disconnected or otherwise tampered with.

**HOW TO OBTAIN SERVICE:** Warranty service is available, WITH PROOF OF PURCHASE AND APPLICABLE MAINTENANCE RECORDS, through your local authorized service dealer. To locate the dealer in your area:

**In the U.S.A.:**

Check your Yellow Pages, or contact Cub Cadet LLC at P.O. Box 361131, Cleveland, Ohio 44136-0019, call 1-877-282- 8684 or log on to our website at [www.cubcadet.com](http://www.cubcadet.com).

**In Canada:**

Contact MTD Products Limited, Kitchener, ON N2G 4J1, call 1-800-668-1238 or log on to our website at [www.mtdcanada.com](http://www.mtdcanada.com).

Without limiting the foregoing, this limited warranty does not provide coverage in the following cases:

- a. Routine maintenance items such as lubricants, filters, blade sharpening, tune-ups, brake adjustments, clutch adjustments, deck adjustments, and normal deterioration of the exterior finish due to use or exposure.
- b. Service completed by someone other than an authorized service dealer.
- c. Cub Cadet does not extend any warranty for products sold or exported outside of the United States and/or Canada, and their respective possessions and territories, except those sold through Cub Cadet's authorized channels of export distribution.
- d. Replacement parts and/or accessories that are not genuine Cub Cadet parts.
- e. Transportation charges and service calls.
- f. Cub Cadet does not warrant this product for commercial use.

**There are no implied warranties, including without limitation any implied warranty of merchantability or fitness for a particular purpose. No warranties shall apply after the applicable period of express written warranty above. No other express warranties beyond those mentioned above, given by any person or entity, including a dealer or retailer, with respect to any product, shall bind Cub Cadet. The exclusive remedy is repair or replacement of the product as set forth above. The terms of this warranty provide the sole and exclusive remedy arising from the sale and/or lease of the products covered hereby. Cub Cadet shall not be liable for any incidental or consequential loss or damage including, without limitation, expenses incurred for substitute or replacement lawn care services or for rental expenses to temporarily replace a warranted product.**

Some jurisdictions do not allow the exclusion or limitation of incidental or consequential damages, or limitations on how long an implied warranty lasts, so the above exclusions or limitations may not apply to you.

In no event shall recovery of any kind be greater than the amount of the purchase price of the product sold. **Alteration of safety features of the product shall void this warranty.** You assume the risk and liability for loss, damage, or injury to you and your property and/or to others and their property arising out of the misuse or inability to use the product.

This limited warranty shall not extend to anyone other than the original purchaser or to the person for whom it was purchased as a gift.

**HOW LOCAL LAWS RELATE TO THIS WARRANTY:** This limited warranty gives you specific legal rights, and you may also have other rights that vary in different jurisdictions.

**Cub Cadet LLC, P.O. BOX 361131 CLEVELAND, OHIO 44136-0019, Phone: 1-877-282-8684  
MTD Products Limited, Kitchener, ON N2G 4J1, Phone: 1-800-668-1238**



## The SureStart Guarantee™

### Provisions of Your Limited Warranty

In addition to the other terms and conditions of the Limited Warranty applicable to your new mower, Cub Cadet LLC (“Cub Cadet”) hereby warrants that your mower’s engine will start on the first or second attempt by an able-bodied adult (subject to the limitations described below) for the duration of the manufacturer’s limited warranty applicable to your product. If the engine on your mower fails to conform to this limited warranty, Cub Cadet will cover the cost of parts and labor associated with any adjustments and/or repairs necessary to return your engine to its warranted condition. In order to make a claim under these provisions of your warranty, you must bring the product and proof of purchase to an authorized Cub Cadet service provider. In many cases, the retailer who sold you your mower is not equipped to provide warranty service, so please locate the authorized service dealer nearest you by either calling the phone number provided in your Operators Manual or looking up an authorized service dealer on-line at [www.cubcadet.ca](http://www.cubcadet.ca).

### Items and Conditions Not Covered

The SureStart Guarantee™ does not cover and/or apply to the following:

- Cost of regular maintenance service or parts, such as filters, fuel, lubricants, oil changes, spark plugs, air filter, blade sharpening, worn blades, cable/linkage adjustments, or brake and clutch adjustments
- Transportation costs to and from an authorized Cub Cadet service provider
- Any engine used for commercial, rental, institutional, governmental, or non-residential applications
- Any product or part that has been altered or misused or required replacement or repair due to misuse, accidents, or lack of proper maintenance
- Repairs necessary due to improper battery care, electrical supply irregularities, or failure to properly prepare the mower prior to any period of non-use over three months
- Pickup and/or delivery charges
- Operational misuse, neglect, accidents, unauthorized repairs or attempted repairs of the engine or its components by anyone other than an authorized Cub Cadet service provider.

- Repairs or adjustments to correct starting difficulties due to any of the following: failure to follow proper maintenance procedures — rotary mower blade striking an object — contaminants in the fuel system — improper fuel or fuel/oil mixture (consult your Operator’s Manual if in doubt) — failure to drain the fuel system prior to any period of non-use over three months
- Any starting problem which results from the use of inappropriate fuels, lubricants, or additives
- Special conditions or circumstances that normally require more than two pulls to start, specifically: 1) First start-up following your initial purchase, 2) first time starts after extended period(s) of non-use over one month or seasonal storage, 3) cool temperature starts such as those found in early spring and late autumn, and 4) difficult starting that results from the operator’s failure to follow the proper starting procedures identified in the Operator’s Manual. If you are having difficulty starting your unit, please check the Operator’s Manual to ensure that you are using the correct starting procedures. This can save an unnecessary visit to a Service Dealer.

### Owner Responsibilities

You must maintain your mower (including its engine) by following the maintenance procedures and starting instructions described in the Operator’s Manual. Such routine maintenance, whether performed by a dealer or by you, is at your expense. In addition, please retain your proof of purchase and service receipts as these may be required to validate a claim.

### General Conditions

An authorized Cub Cadet service provider using approved replacement parts must perform all repairs covered by the SureStart Guarantee™. Repair by an Cub Cadet authorized service dealer is your sole remedy under this warranty. Cub Cadet is not liable for indirect, incidental, or consequential damages in connection with the use of the products covered by these warranties, including any cost or expense of providing substitute equipment or service during reasonable periods of malfunction or non-use pending completion of repairs under this warranty.

Some jurisdictions do not allow exclusions of incidental or consequential damages, or limitations on how long an implied warranty lasts, so certain exclusions and limitations may not apply to you.



**Termes de la garantie limitée  
The SureStart Guarantee™ (Garantie de démarrage  
SureStart)**

Outre les termes et conditions de la garantie limitée de votre tondeuse neuve, Cub Cadet LLC ("Cub Cadet") garantit par la présente que le moteur de votre tondeuse démarrera dès le premier ou deuxième essai de démarrage par un adulte valide (sous réserve des restrictions ci-dessous) pendant toute la durée de la garantie limitée du fabricant qui s'applique à votre tondeuse. Si le moteur de votre tondeuse ne fonctionne pas conformément à cette garantie limitée, Cub Cadet s'engage à couvrir le coût des pièces détachées et de la main-d'œuvre associée à tout ajustement et/ou à toute réparation nécessaire pour le rendre conforme à cette garantie. Pour faire une réclamation aux termes de cette garantie, vous devrez présenter le produit et une preuve d'achat à une station technique agréée par Cub Cadet. Souvent, le détaillant qui vous a vendu la tondeuse n'est pas équipé pour offrir les services de réparations sous garantie. Dans ce cas, veuillez localiser la station technique agréée la plus proche de votre domicile en composant le numéro qui apparaît dans la notice d'utilisation de la tondeuse ou en cherchant une station technique agréée en ligne, à [www.cubcadet.ca](http://www.cubcadet.ca)

**Pièces et conditions non couvertes par la garantie**  
La « Garantie de démarrage SureStart » ne couvre pas et/ou ne s'applique :

- Au coût des opérations ou pièces d'entretien courant, comme les filtres, le carburant, les lubrifiants, les vidanges d'huile, les bougies, les filtres à air, l'aiguillage de lames, les lames usées, l'ajustement des câbles/de la tringlerie, ou les réglages des freins et de l'embrayage.
- Aux frais de transport à la station technique agréée et frais de retour à votre domicile.
- À tout moteur utilisé à des fins commerciales, locales, dans une collectivité, un département gouvernemental ou dans un cadre non résidentiel.
- À tout produit ou pièce qui a fait l'objet de modifications, de négligence ou qui a nécessité un remplacement ou des réparations en raison d'une négligence, d'un accident ou d'un manque d'entretien adéquat.
- Aux réparations rendues nécessaires en raison d'un entretien inadéquat de la batterie, à des irrégularités dans l'alimentation électrique ou la préparation inadéquate de la tondeuse avant une période de remisage supérieure à trois mois.
- Aux frais de prise en charge et de livraison de la tondeuse.
- À une utilisation inadéquate, une négligence, un accident, des réparations non autorisées ou des tentatives de réparations du moteur et de ses composants par quiconque autre que la station technique agréée par Cub Cadet.

**Responsabilités du propriétaire**

Vous devez assurer l'entretien de la tondeuse (y compris de son moteur) en respectant les procédures d'entretien et de démarrage, expliquées dans la notice d'utilisation. Le coût de cet entretien vous incombe, qu'il soit effectué par vos soins ou par une station technique agréée. Veuillez aussi conserver votre preuve d'achat et autres reçus concernant les entretiens car ils pourraient vous être demandés en cas de réclamation sous garantie.

**Conditions d'ordre général**

Une station technique agréée par Cub Cadet qui utilise les pièces détachées homologuées par Cub Cadet doit effectuer toutes les réparations couvertes aux termes de la « Garantie de démarrage SureStart ». Une réparation par une station technique agréée par Cub Cadet ne peut être tenue responsable pour tout dommage indirect, accessoire ou immatériel résultant de l'utilisation des produits couverts par ces garanties, y compris le coût ou les frais pour obtenir un équipement ou un service de remplacement pendant des périodes raisonnables au cours desquelles l'équipement ne fonctionne pas ou fait l'objet de réparations couvertes par cette garantie. Certaines juridictions ne permettent pas l'exclusion des dommages accessoires ou matériels, ni une limite à la durée de la garantie tacite. Par conséquent, certains exclusions et restrictions peuvent ne pas s'appliquer dans votre situation.

# CUB CADET LLC GARANTIE LIMITÉE DU FABRICANT POUR LA TONDEUSE

**IMPORTANT :** Pour faire honorer la garantie, le propriétaire doit présenter une preuve originale de l'achat et les relevés d'entretien correspondant à la tondeuse à la station technique. Les renseignements concernant les opérations et intervalles des entretiens requis se trouvent dans la notice d'utilisation de la tondeuse.

La garantie limitée qui est énoncée ci-dessous est offerte par Cub Cadet LLC pour toutes les marchandises neuves achetées et utilisées aux États-Unis, dans ses possessions et territoires, et par MTD Products Limited, pour toutes les marchandises achetées et utilisées au Canada et/ou ses territoires (l'une ou l'autre entité respectivement appelée « Cub Cadet »). Cub Cadet garantit que ce produit (à l'exception des pièces à usure normale énumérées ci-dessous et des batteries) est exempt de tout vice de matière et de fabrication pour une durée de trois (3) ans ou cent vingt (120) heures de fonctionnement, selon ce qui survient d'abord, à compter de la date de l'achat initial et s'engage à réparer ou à remplacer, gratuitement et à son choix, toute pièce qui s'avère défectueuse en raison d'un vice de matière ou de fabrication.

Les pièces ou composants à usure normale sont garantis exempts de tout vice de matière et de fabrication pour une période de 30 jours à compter de la date d'achat. Les pièces et composants à usure normale comprennent, sans s'y limiter, les courroies, lames, adaptateurs de lame, sacs à herbe et pneus. Les batteries sont couvertes par une garantie limitée contre tout vice de matière et de fabrication pour une durée proportionnelle d'un an et elles seront remplacées gratuitement pendant les trois premiers mois. Après cette période, le crédit de remplacement sera proportionnel au nombre de mois restant dans la période de garantie de douze (12) mois à compter de la date initiale de l'achat ou de la location-bail. La batterie de remplacement est garantie pour le solde de la période de la garantie initiale.

Cette garantie limitée n'est applicable que si ce produit a été utilisé et entretenu conformément aux instructions de la notice d'utilisation qui l'accompagne. De plus, le produit ne doit pas avoir fait l'objet d'un emploi incorrect ou abusif, d'une négligence, d'un accident, d'un entretien incorrect, d'une modification, d'un acte de vandalisme, d'un vol, d'un incendie, d'une inondation ou de tout autre dégat causé par tout incident ou désastre naturel. Les dégâts causés par l'installation ou l'utilisation d'une pièce, d'un accessoire ou d'un équipement annexe, dont l'emploi avec le produit faisant l'objet de la notice d'utilisation n'est pas homologué par MTD, rendront la garantie nulle et non avenue. Cub Cadet peut en outre refuser d'honorer la garantie si le compteur, ou toute pièce du compteur d'heures, a fait l'objet d'un changement, d'une modification, a été débâché ou altéré d'une façon quelconque.

**POUR FAIRE HONORER LA GARANTIE :** Présentez UNE PREUVE D'ACHAT ET LES RELEVÉS D'ENTRETIEN CORRESPONDANTS, à la station technique agréée de votre localité. Pour localiser une station technique agréée ou un concessionnaire dans votre région :

**Aux États-Unis :** Consultez les Pages Jaunes ou adressez-vous à Cub Cadet LLC, P.O. Box 361131, Cleveland, Ohio 44136-0019 ou appelez le 1-800-800-7310, 1-330-220-4683. Vous pouvez aussi visiter notre site web au [www.cubcadet.com](http://www.cubcadet.com)

**Au Canada :** Adressez-vous à MTD Products Limited, Kitchener, Ontario, N2G 4J1 ou appelez le 1-800-668-1238 ou visitez notre site web au [www.mtdcanada.com](http://www.mtdcanada.com)

Sans se limiter à ce qui précède, cette garantie ne couvre pas :

- Les articles d'entretien courant tels que les lubrifiants, filtres, aiguilles-plates de lame et révisions, les réglages de frein, de l'embrayage ou du plateau de coupe et la détérioration normale de la finition du fait de l'utilisation de la machine ou de son exposition aux intempéries.
- L'entretien ou les réparations effectuées par quiconque autre qu'une station technique agréée.
- Cub Cadet ne garantit pas les produits vendus ou exportés hors des États-Unis et/ou du Canada, de leurs possessions et territoires respectifs, sauf si ces produits ont été vendus par l'intermédiaire des services d'exportation de Cub Cadet.
- Les pièces de rechange si elles ne sont pas des pièces Cub Cadet authentiques.
- Les frais de transport des machines et de déplacement des techniciens.
- Cub Cadet ne garantit pas ce produit pour un utilisation commercial.

Aucune garantie tacite ne s'applique, y compris sans s'y limiter, toute garantie tacite de qualité marchande ou d'adaptabilité dans un but particulier. Aucune garantie ne s'applique après la période de vigueur applicable de la garantie écrite expressément ci-dessus. Aucune autre garantie expresse, à l'exception des stipulations ci-dessus, n'engage Cub Cadet même si elle est offerte par toute personne ou entité, y compris un concessionnaire/revendeur, pour n'importe quel produit. La réparation ou le remplacement du produit dans les conditions ci-dessus constitue le recours unique et exclusif à la disposition du client. Les stipulations énoncées dans cette garantie offrent le seul recours à la suite de la vente ou de la location-bail des produits couverts par cette garantie. Cub Cadet ne peut être tenu responsable pour toute perte ou tout dommage accessoire ou matériel compris, sans s'y limiter, les frais de remplacement ou de substitution des services d'entretien des pelouse ou les frais de location pour remplacer temporairement un produit sous garantie. Certaines juridictions ne permettent pas l'inclusion ou la restriction des dommages accessoires ou immatériels ou une limite à la durée de la garantie tacite. Par conséquent, les exclusions ci-dessus peuvent ne pas s'appliquer dans votre situation.

Le remboursement ou remplacement quel qu'il soit ne sera en aucun cas supérieur au montant du prix d'achat du produit vendu. **Toute modification des caractéristiques de sécurité rendra la garantie nulle et non avenue.** L'utilisateur assume tout risque et toute responsabilité en cas de perte, de dommage matériel ou de blessure résultant de l'utilisation incorrecte du produit ou de l'incapacité de l'employer. Cette garantie limitée n'est offerte qu'à l'acheteur initial ou à la personne à laquelle le produit a été offert en cadeau.


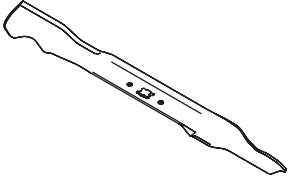
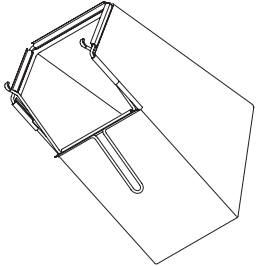
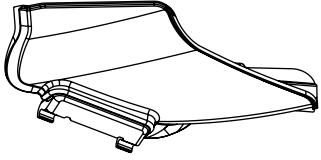
**LES LOIS LOCALES ET CETTE GARANTIE :** Cette garantie limitée vous accorde des droits juridiques spécifiques et vous pouvez bénéficier d'autres droits qui varient selon les juridictions.

**IMPORTANT :** Le propriétaire doit présenter le reçu original pour faire honorer la garantie.

**Cub Cadet LLC, P.O. Box 361131 CLEVELAND, OHIO 44136-0019, téléphone: 1-877-282-8684**  
**MTD Products Limited, Kitchener, ON N2G 4J1, téléphone: 1-800-668-1238**

## Pièces de rechange

# 9

No. de pièce et description	Pièce
734-04346 Roue (avant) 734-04347 Roue (arrière)	
942-0739 Lame de déchiquetage	
964-04066 Sac à herbe	
731-04177 Goulotte d'éjection	

**REMARQUE :** Vous pouvez télécharger un livret contenant la liste complète des pièces détachées. Adressez-vous au Service après-vente à la page 2. Soyez prêt à fournir les numéros de modèle et de série de votre machine ou voir les renseignements à la page 2 quant à leur emplacement.

Problème	Cause	Solution
Le moteur ne démarre pas.	<ol style="list-style-type: none"> <li>1. La poignée de commande de la lame n'est pas embayée.</li> <li>2. Fil de la bougie débranché.</li> <li>3. Le réservoir est vide ou l'essence est éventée.</li> <li>4. Moteur non amorcé.</li> <li>5. La bougie est défectueuse.</li> <li>6. Canalisations de carburant bouchées.</li> <li>7. Le moteur est noyé.</li> <li>8. La soupape de carburant (le cas échéant) est fermée.</li> <li>9. Le volet de départ (le cas échéant) n'a pas été utilisé.</li> <li>10. Un fusible a sauté (Démarriage électrique seulement).</li> </ol>	<ol style="list-style-type: none"> <li>1. Embrayez la commande de la lame.</li> <li>2. Branchez le fil à la bougie.</li> <li>3. Faites le plein avec une essence propre et fraîche.</li> <li>4. Consultez la notice d'utilisation du moteur.</li> <li>5. Nettoyez, réglez l'écartement ou remplacez la bougie.</li> <li>6. Nettoyez la canalisation.</li> <li>7. Attendez quelques minutes avant d'essayer de faire démarrer le moteur sans l'amorcer.</li> <li>8. Ouvrez la soupape de carburant. Voir la notice d'utilisation du moteur.</li> <li>9. Utilisez le volet de départ. Voir la notice d'utilisation du moteur.</li> <li>10. Remplacez le fusible (Voir le chapitre « Entretien »)</li> </ol>
Le moteur tourne irrégulièrement.	<ol style="list-style-type: none"> <li>1. Fil de la bougie desserré.</li> <li>2. La canalisation de carburant est bouchée ou l'essence est éventée.</li> <li>3. L'évent du capuchon du réservoir est bouché.</li> <li>4. De l'eau ou une saleté est présente dans le système.</li> <li>5. Le filtre à air est sale.</li> <li>6. Le volet de départ est fermé ou à la position «ON» (le cas échéant).</li> </ol>	<ol style="list-style-type: none"> <li>1. Branchez et serrez le fil de la bougie.</li> <li>2. Nettoyez la canalisation. Faites le plein avec une essence propre et fraîche.</li> <li>3. Débouchez l'évent.</li> <li>4. Videz le réservoir à carburant. Faites le plein avec une essence fraîche.</li> <li>5. Consultez la notice d'utilisation du moteur.</li> <li>6. Placez le volet de départ à la position « Off ».</li> </ol>
Le moteur surchauffe.	<ol style="list-style-type: none"> <li>1. Niveau d'huile trop bas.</li> <li>2. La circulation d'air est gênée.</li> </ol>	<ol style="list-style-type: none"> <li>1. Faites le plein d'huile du carter.</li> <li>2. Démontez l'habitacle du ventilateur et nettoyez-le.</li> </ol>
Le moteur hésite parfois à régime élevé.	<ol style="list-style-type: none"> <li>1. L'écartement de la bougie est trop petit.</li> </ol>	<ol style="list-style-type: none"> <li>1. Réglez l'écartement à 0,030 po. Consultez la notice d'utilisation du moteur.</li> </ol>
Le moteur tourne irrégulièrement.	<ol style="list-style-type: none"> <li>2. La bougie est sale, défectueuse ou l'écartement est trop grand.</li> <li>3. Le filtre à air est sale.</li> </ol>	<ol style="list-style-type: none"> <li>1. Réglez l'écartement à 0,030 po ou remplacez la bougie. Consultez la notice d'utilisation du moteur.</li> <li>2. Consultez la notice d'utilisation du moteur.</li> </ol>
Vibrations excessives.	<ol style="list-style-type: none"> <li>1. La lame est desserrée ou mal équilibrée.</li> <li>2. La lame est déformée.</li> </ol>	<ol style="list-style-type: none"> <li>1. Serrez la lame et l'adaptateur. Équilibrez la lame.</li> <li>2. Remplacez la lame.</li> </ol>
La tondeuse ne déchiquette pas l'herbe.	<ol style="list-style-type: none"> <li>1. L'herbe est mouillée.</li> <li>2. L'herbe est trop haute.</li> <li>3. La lame est émoussée.</li> </ol>	<ol style="list-style-type: none"> <li>1. Ne tondez pas quand l'herbe est mouillée. Attendez qu'elle sèche.</li> <li>2. Coupez l'herbe à un réglage élevé, puis tondez à nouveau à la hauteur voulue ou sur une largeur plus étroite.</li> <li>3. Aiguissez ou remplacez la lame.</li> </ol>
La coupe est irrégulière	<ol style="list-style-type: none"> <li>1. Les roues ne sont pas bien positionnées.</li> <li>2. La lame est émoussée.</li> </ol>	<ol style="list-style-type: none"> <li>1. Placez les quatre roues à la même hauteur.</li> <li>2. Aiguissez ou remplacez la lame.</li> </ol>



### Entretien et remplacement de la lame



**AVERTISSEMENT** : En enlevant la lame ou la courroie, portez toujours des gants épais ou utilisez un chiffon épais pour tenir la lame.

5. Lubrifiez le vilebrequin et la surface intérieure de l'adaptateur de la lame avec une huile légère. Glissez l'adaptateur de la lame sur le vilebrequin et positionnez la lame sur l'adaptateur de façon que le côté « Bottom » (ou le numéro de pièce) se trouve sur le dessous (vers le sol) pendant le fonctionnement. Assurez-vous que la lame est bien alignée et qu'elle repose sur les paliers de l'adaptateur.
  6. Placez le support coudé sur la lame. Alignez les encoches du support coudé avec les petits trous de la lame.
  7. Remettez le boulon hex. en place et serrez-le à un couple de 450 po-lb min., 600 po-lb max.
- Vérifiez périodiquement que TOUTS les écrous et boulons de la machine sont bien serrés.

1. Débranchez le fil de la bougie. Inclinez la tondeuse pour qu'elle repose sur le plateau de coupe. Le côté du filtre à air et du carburateur doit se trouver sur le haut.
2. Enlevez le boulon et le support de la lame qui maintiennent la lame et l'adaptateur sur le vilebrequin. Voir la Fig. 7-1.
3. Dégagez la lame et l'adaptateur du vilebrequin. Voir la Fig. 7-1.

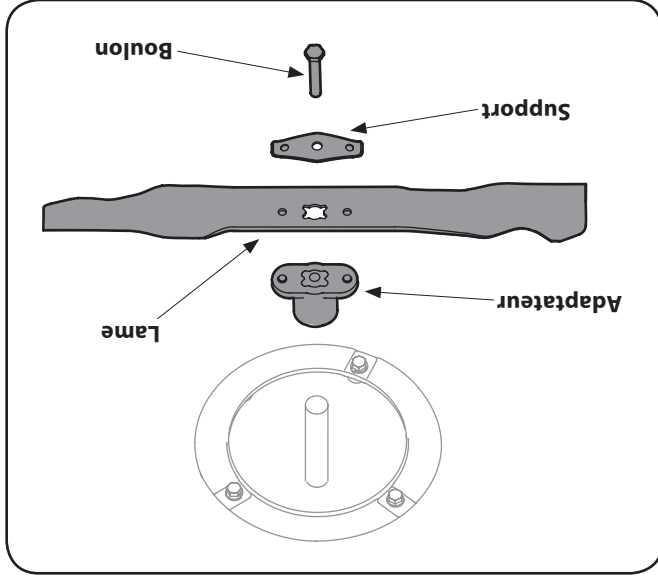


Figure 7-1

4.

Démontez toujours la lame de son adaptateur pour vérifier son bon équilibre. Vérifiez l'équilibre de la lame sur un tournevis à tige ronde. Limez le métal du côté le plus lourd jusqu'à ce que la lame soit parfaitement équilibrée. Suivez l'angle d'aiguisage d'origine. Aiguissez chaque tranchant de façon égale pour que la lame reste équilibrée.

**AVERTISSEMENT**: Une lame déséquilibrée peut causer des vibrations excessives à vitesse élevée. Elle risque aussi d'endommager la tondeuse et, si elle se brise, elle peut causer des blessures corporelles.



- Nettoyez et lubrifiez soigneusement la tondeuse selon les instructions de lubrification.
  - L'utilisation d'un nettoyeur sous pression ou d'un boyau d'arrosage pour nettoyer la tondeuse est déconseillée.
  - Consultez la notice d'utilisation du moteur quant aux instructions d'entreposage du moteur.
  - Enduisez la lame de la tondeuse d'une graisse à chassis pour l'empêcher de rouiller.
  - Entrez la tondeuse dans un endroit sec et propre. Ne la remisez pas près de produits corrosifs, comme des engrais.
- Il est très important de bien protéger le matériel contre la rouille s'il doit être entreposé dans un abri métallique non ventilé. Enduisez toute la machine, en particulier les câbles et toutes les pièces mobiles, avec une huile légère ou de la silicone.

### Remisage hors saison

Procédez de la manière suivante pour préparer votre tondeuse pour un entreposage prolongé.

## Moteur

1. Consultez la notice d'utilisation du moteur pour tout ce qui concerne l'entretien du moteur.

2. Utilisez l'huile à moteur recommandée dans la notice

d'utilisation du moteur fournie avec la tondeuse. Lisez attentivement les instructions et suivez-les.

3. Dans des conditions normales nettoyez le filtre à air selon les recommandations de la notice d'utilisation du moteur fournies dans des conditions très poussiéreuses. Une mauvaise performance du moteur et sa «noyade» sont des indications que le filtre à air doit être nettoyé.

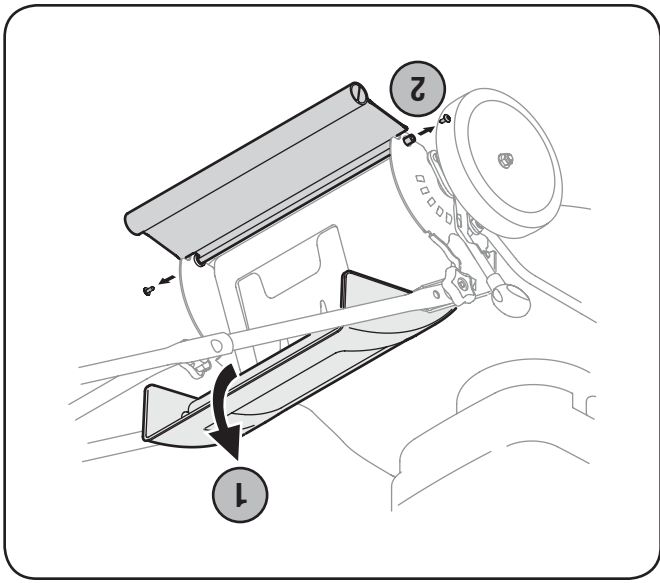
4. Nettoyez la bougie et ajustez l'écartement une fois par saison. Il est recommandé de remplacer la bougie au début de chaque saison. Vérifiez le type de bougie à utiliser et l'écartement correct dans la notice d'utilisation du moteur. **REMARQUE:** Ce système d'allumage par étincelle de véhicule respecte toutes les exigences du Règlement sur le matériel brouilleur du Canada.

5. Nettoyez le moteur régulièrement avec un linge ou une brosse. Gardez le système de refroidissement (à proximité du ventilateur) propre pour assurer la bonne circulation d'air essentielle aux bonnes performances et à la longévité du moteur. Enlevez tous les brins d'herbe, la saleté et autres débris combustibles se trouvant à proximité du silencieux.

## Remplacemant du déflecteur arrière

1. Pour démonter le déflecteur arrière usagé, soulevez le clapet arrière et enlevez les vis qui maintiennent le déflecteur en place.

2. Dégagez le vis et le déflecteur du trou opposé et remplacez-le par le déflecteur neuf en appliquant les instructions dans l'ordre inverse.



## Entretien

### Recommandations d'ordre général

- Suivez toujours les consignes de sécurité lors de tout entretien.
- La garantie de cette tondeuse ne s'applique pas à toute pièce qui a fait l'objet d'un emploi abusif ou d'une négligence. Pour bénéficier au maximum de la garantie, l'utilisateur doit entretenir la tondeuse conformément aux instructions de cette notice.
- La garantie sera nulle et non avenue si une modification est apportée au régulateur du moteur.
- Vérifiez tous les réglages au moins une fois par saison.
- Vérifiez régulièrement que toute la boulonnerie est bien serrée.



**AVERTISSEMENT:** Arrêtez toujours le moteur

et débranchez le fil de la bougie et mettez-le à la masse contre le moteur avant tout nettoyage, toute lubrification ou autre entretien sur la machine.

### Lubrification

1. Lubrifiez les points de pivot de la poignée de commande de la lame au moins une fois par saison avec une huile légère. La commande de la lame doit fonctionner facilement dans les deux sens. Voir la Figure 6-1.

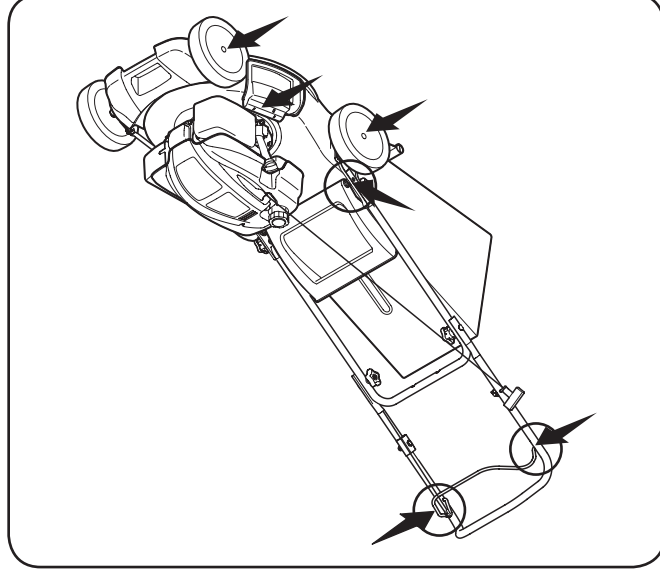


Figure 6-1

### Entretien du plateau de coupe

2. Lubrifiez les roues au moins une fois par saison avec de l'huile fluide. Toutefois, si elles doivent être démontées pour une raison quelconque, lubrifiez la surface du boulon d'essieu et la surface intérieure de la roue avec une huile automobile légère.
3. Le ressort de torsion et le point de pivotement sur la porte d'éjection arrière et bouchon de déchiquetage du coter doivent être lubrifiés périodiquement avec une huile légère pour empêcher la rouille. Voir la Fig. 6-1.
4. Consultez le chapitre se rapportant à l'entretien du moteur quant aux intervalles et instructions de lubrification.

Nettoyez le dessous du plateau de coupe après chaque utilisation de la tondeuse pour éviter toute accumulation de débris. Procédez comme suit :

1. Débranchez le fil de la bougie. Videz le réservoir de carburant ou placez un morceau de plastique sous le capuchon.
2. Inclinez la tondeuse pour qu'elle repose sur l'habitacle. Le côté du filtre à air doit se trouver sur le dessus. Tenez bien la tondeuse.



**AVERTISSEMENT:** Ne basculez jamais la tondeuse à plus de 90° dans toute direction et ne la laissez pas dans cette position longtemps. L'huile peut couler dans la partie supérieure du moteur et causer des problèmes au démarrage.

3. Grattez et nettoyez le dessous du plateau de coupe avec un outil adéquat. N'utilisez pas un jet d'eau.
- IMPORTANT :** N'utilisez pas un appareil de nettoyage sous pression ou un boyaud'arrosage. Ceci risque d'endommager les roulements ou le moteur.
4. Redressez la tondeuse sur ses 4 roues. Enlevez le morceau de plastique sous le capuchon, le cas échéant.

## Mise en marche et arrêt du moteur

Consultez la notice d'utilisateur du moteur emballé avec votre tondeuse pour des instructions concernant la mise en marche et l'arrêt du moteur.

## Utilisation de la tondeuse

Vérifiez qu'il n'y a plus de pierres, de morceaux de bois, de fils métalliques ou autres objets sur la pelouse, qui risquent d'endommager la tondeuse ou le moteur. Ces objets pourraient être projetés par la tondeuse dans une direction ou une autre et blesser grièvement le conducteur ou toute autre personne présente.



**AVERTISSEMENT:** Les objets projetés par une tondeuse peuvent atteindre les yeux et causer des blessures graves. Portez toujours des lunettes de sécurité en utilisant la tondeuse, ou en effectuant tout entretien ou toute réparation.

## Fonction de déchiquetage (les cas échéant)

Pour déchiqueter l'herbe, enlevez la goulotte d'éjection latérale (le cas échéant) ou le sac à herbe (le cas échéant) et le clapet d'éjection arrière (le cas échéant) bloquera l'ouverture arrière de la tondeuse. Pour de meilleurs résultats, ne déchiquetez pas une herbe mouillée. Le déchiquetage est déconseillé si l'herbe mesure plus de quatre pouces de longueur. Utilisez plutôt le sac à herbe.

## Emploi du sac à herbe (les cas échéant)

Vous pouvez utiliser le sac à herbe pour ramasser l'herbe coupée pendant que vous travaillez.

1. Installez le sac à herbe selon les instructions du chapitre « Installation ». Les brins d'herbe sont automatiquement mis en sac pendant que vous travaillez. Tondez l'herbe jusqu'à ce que le sac soit plein.
2. Arrêtez le moteur en lâchant la commande de la lame et assurez-vous que celle-ci est tout à fait immobile.
3. Relevez le clapet d'éjection et soulevez le sac à herbe en l'éloignant de la tondeuse pour le retirer. Videz le sac et remettez-le en place.



**AVERTISSEMENT:** Arrêtez le moteur si vous heurtez un objet quelconque. Débranchez le fil de la bougie, cherchez soigneusement tout signe de dégât à la tondeuse et réparez-la avant de la remettre en marche et de vous en servir. Des vibrations importantes de la tondeuse indiquent des dégâts. Faites examiner et réparer la machine rapidement.

## Commande de la lame

La commande de la lame se trouve sur le guidon supérieur de la tondeuse. Il faut serrer cette commande contre le guidon pour que la tondeuse fonctionne. Le fait de lâcher la commande de la lame arrête le moteur et la lame.



**AVERTISSEMENT:** La commande de la lame est un dispositif de sécurité. N'essayez jamais d'éviter son emploi.

## Leviers de réglage de la hauteur de coupe

La manette de réglage se trouve au-dessus de la roue arrière gauche. Pour modifier la hauteur de coupe, consultez le chapitre « Assemblage et montage ».

## Sac à herbe

Le sac à herbe, placé à l'arrière de la tondeuse, sert à ramasser les brins d'herbe coupée pour les jeter ailleurs. Lorsque le sac est plein, il faut le détacher de la tondeuse et le vider avant de continuer à tondre.

## Démarrateur à lanceur

Il est installé sur la droite du guidon supérieur. Tenez-vous derrière la tondeuse et tirez sur le démarreur à lanceur pour faire démarrer la tondeuse.



**AVERTISSEMENT :** Éloignez les pieds et les mains de la proximité de la goulotte sur le plateau de coupe. Lisez l'étiquette d'avertissement placée sur la machine.

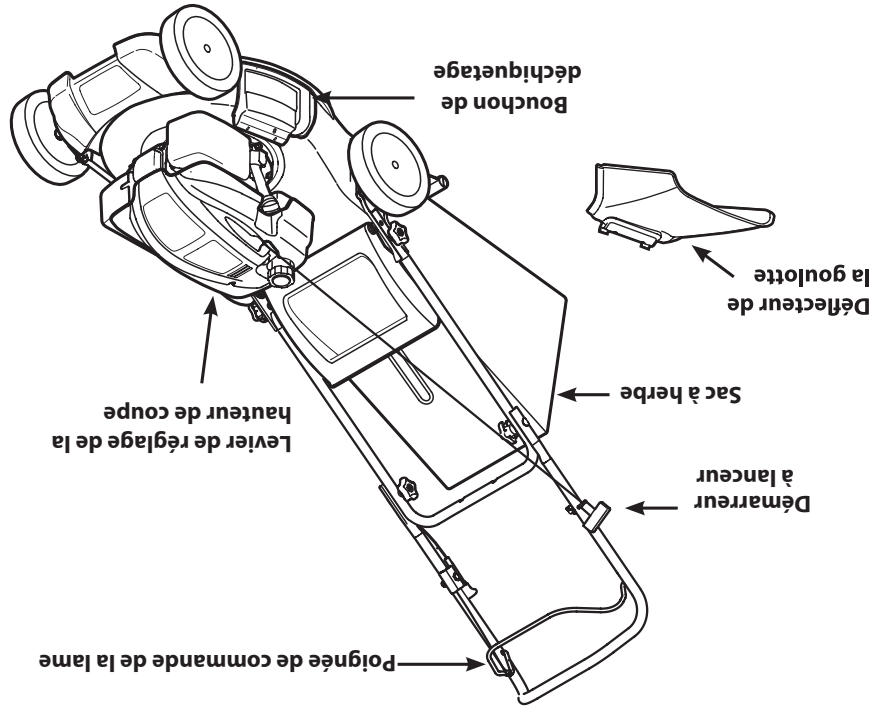
## Goulotte d'éjection latérale

La tondeuse expédiée est prête pour décharger l'herbe. Si vous préférez éjecter l'herbe sur le côté, suivez les instructions du chapitre « Assemblage et montage » pour installer la goulotte d'éjection latérale.

## Bouchon de déchargement

Il est utilisé pour le déchargement de l'herbe. Au lieu de ramasser les brins d'herbe coupée dans un sac à herbe ou d'utiliser une goulotte d'éjection latérale, certaines tondeuses offrent l'option de les renvoyer dans la pelouse après les avoir déchargés.

Figure 4-1



### Goulotte d'éjection latérale

Si la tondeuse est adaptée pour éjecter l'herbe sur le côté, assurez-vous que le sac à herbe a été démonté de la tondeuse, que le bouchon de déchiquetage arrière est installé et que le clapet d'éjection arrière est fermé.

1. Relevez le bouchon de déchiquetage à charnière qui se trouve sur le côté de la tondeuse.
2. Glissez les deux crochets sous la goupille de la charnière du bouchon de déchiquetage à charnière. Rabaissez le bouchon de déchiquetage. Voir la Fig. 3-7. Ne retirez jamais le bouchon de déchiquetage à charnière, même quand vous ne déchiquetez pas.

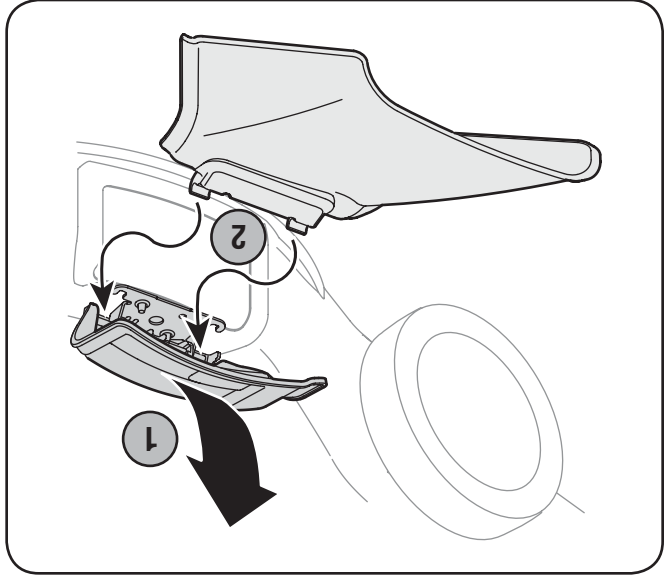


Figure 3-7

### Réglages

1. La manette de réglage se trouve au-dessus de la roue arrière gauche. Voir la Fig. 3-8.

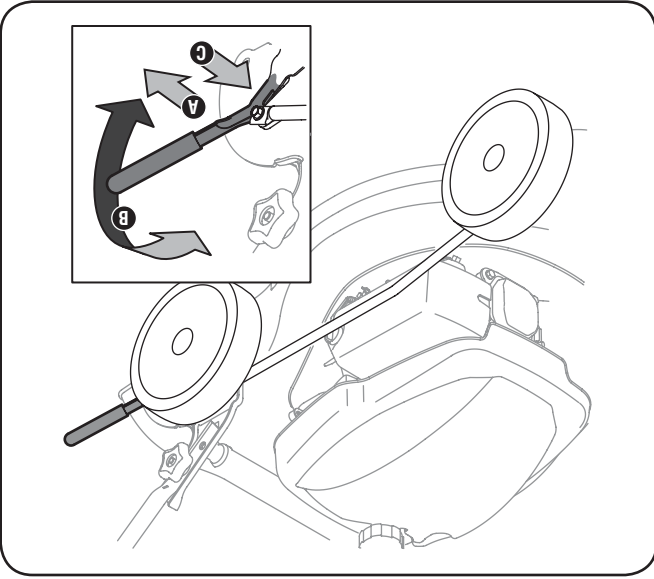


Figure 3-8

### Pleins d'essence et d'huile

- a. Tirez sur la manette et écartez-la de la tondeuse pour régler la hauteur de coupe.
- b. Déplacez-la vers l'avant ou vers l'arrière à la hauteur voulue.
- c. Repoussez la manette vers la tondeuse.

Consultez la notice d'utilisation du moteur pour tout renseignement supplémentaire concernant le moteur.

1. Faites le plein avec l'huile fournie la première fois que vous utilisez la machine après son assemblage.
2. Faites le plein d'essence conformément aux instructions fournies dans la notice d'utilisation du moteur.

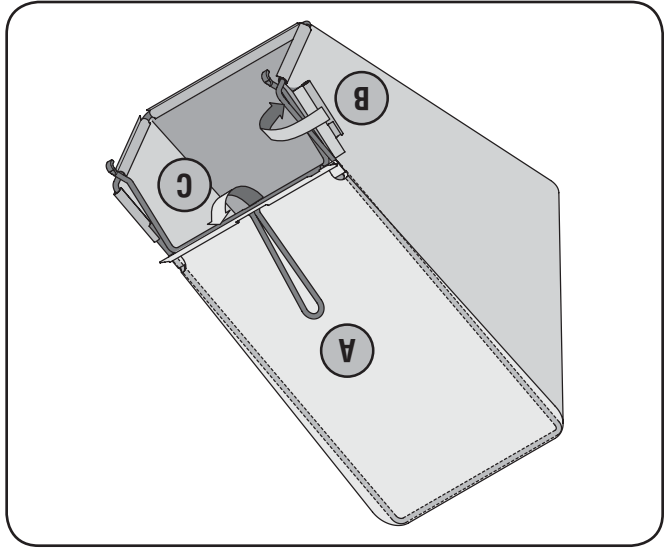


**AVERTISSEMENT:** Faites très attention en manipulant de l'essence. L'essence est extrêmement inflammable et les vapeurs sont explosives. Ne faites jamais le plein d'essence à l'intérieur, pendant que le moteur tourne ou quand le moteur est chaud. Éteignez toute cigarette ou pipe, tout cigare ou toute autre source incandescente.

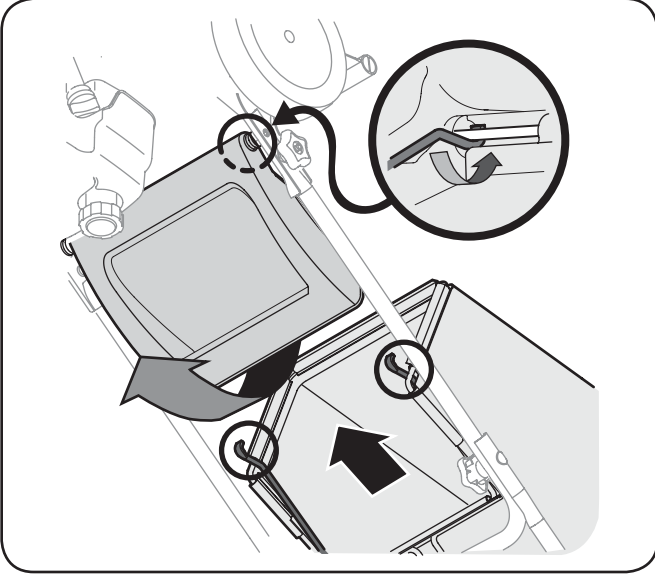
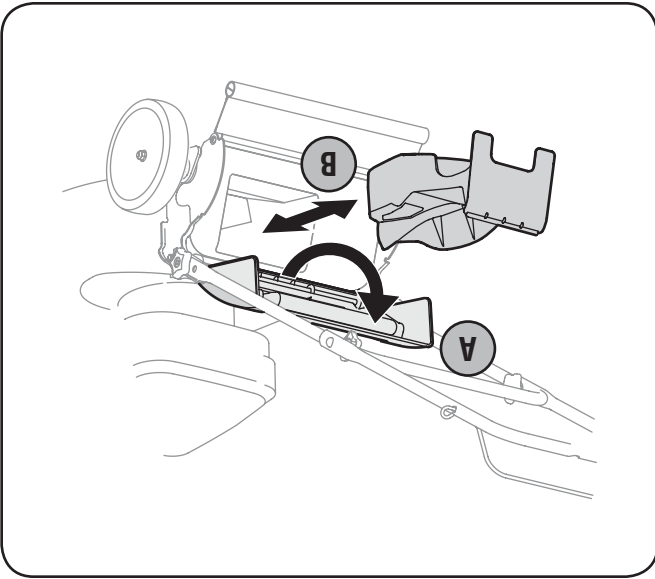
**Sac à herbe**

1. Procédez comme suit pour installer le sac à herbe sur la tondeuse s'il n'est pas déjà installé. Vérifiez que le sac à herbe est bien à l'endroit avant l'assemblage (l'étiquette d'avertissement doit se trouver sur l'extérieur).
2. Procédez comme suit pour installer le sac à herbe sur la tondeuse s'il n'est pas déjà installé. Vérifiez que le sac à herbe est bien à l'endroit avant l'assemblage (l'étiquette d'avertissement doit se trouver sur l'extérieur).
3. Procédez comme suit pour installer le sac à herbe :
  - a. Glissez le sac sur l'armature (côté en plastique noir sur le dessous).
  - b. Attachez le sac sur l'armature en accrochant les glissières sur l'armature, comme à la Fig. 3-4. Toutes les glissières en plastique, à l'exception des glissières du sac.
4. Enfoncez les taquets des attaches-câbles dans les trous aménagés dans le guidon inférieur. Serrez l'attache-câble et coupez le surplus.
  - a. Pressez la manette de commande de la lame contre le guidon supérieur.
  - b. Sortez lentement la corde du démarreur du moteur. Lâchez la commande de la lame.
  - c. Glissez la corde du démarreur dans le guide. Serrez l'écrou à oreilles du guide de la corde.
  - d. Serrez l'écrou à oreilles du guide de la corde. Enfoncez les taquets des attaches-câbles dans les trous aménagés dans le guidon inférieur. Serrez l'attache-câble et coupez le surplus.

- c. Attachez la partie centrale du haut du sac à herbe de l'intérieur du sac.
2. Démontez le déflecteur de déchiquetage avant d'installer le sac à herbe.
  - a. Relevez le clapet d'éjection arrière.
  - b. Retirez le déflecteur de déchiquetage. Voir la Fig. 3-5.

**Figure 3-4**

- a. Relevez le clapet d'éjection arrière.
- b. Placez le sac à herbe sur la tige de pivotement. Lâchez le clapet pour qu'il repose sur le sac à herbe. Voir la Figure 3-6.

**Figure 3-6****Figure 3-5**

**AVERTISSEMENT:** N'utilisez jamais la tondeuse si les crochets du sac à herbe ne sont pas enfoncés dans la tige de pivotement et si le clapet arrière ne repose pas contre le haut du sac à herbe.



Pour enlever le sac à herbe et utiliser l'ensemble de déchiquetage, relevez le clapet d'éjection arrière de la tondeuse. Relevez le sac à herbe et dégagez-le de la tige de pivotement. Lâchez le clapet d'éjection arrière pour fermer l'ouverture sur l'arrière de la tondeuse.

# Assemblage et Montage

## 3

### Pièces détachées dans le carton

- Une tondeuse
- Un sac à herbe †
- Une notice d'utilisation de la tondeuse
- Une notice d'utilisation du moteur
- Un bidon d'huile
- Une goulotte d'éjection latérale †

† le cas échéant

### Assemblage

**REMARQUE:** Cette machine est expédiée SANS HUILE NI ESSENCE. Après l'assemblage, faites les pleins d'essence et d'huile conformément aux instructions de la notice d'utilisation du moteur fournie avec la machine.

### Guidon

1. Retirez les pièces détachées et les garnitures d'emballage qui peuvent se trouver entre les guidons supérieur et inférieur.

a. Redressez le guidon supérieur vers vous pour le faire passer à la position de travail, comme à la Fig. 3-1. Ne pincez pas le câble en redressant le guidon. Retirez les boutons en forme d'étoile des supports du guidon et attachez le guidon inférieur sur les supports du guidon en positionnant le trou inférieur du guidon inférieur sur les goupilles des supports du guidon.

b. Serrez les boutons en forme d'étoile qui maintiennent le guidon supérieur sur les guidon inférieur. Voir la Fig. 3-1. Assurez-vous que le boulon ordinaire est bien enfoncé dans le guidon.

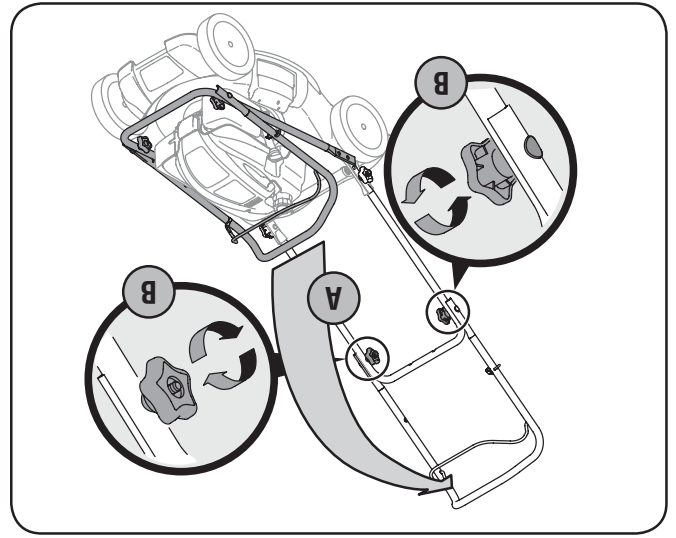


Figure 3-1

2. Serrez les boutons en forme d'étoile qui maintiennent le guidon inférieur sur les supports du guidon. Voir la Fig. 3-2. Assurez-vous que le boulon ordinaire est bien enfoncé dans les supports du guidon.

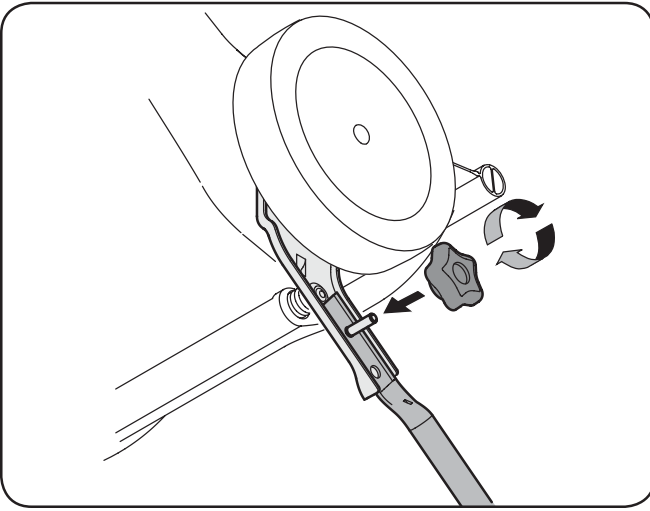


Figure 3-2

3. Le guide de la corde du démarreur est installé sur la droite du guidon supérieur. Desserrez l'écrin à oreilles qui maintient le guide de la corde en place. Voir la Fig. 3-3.

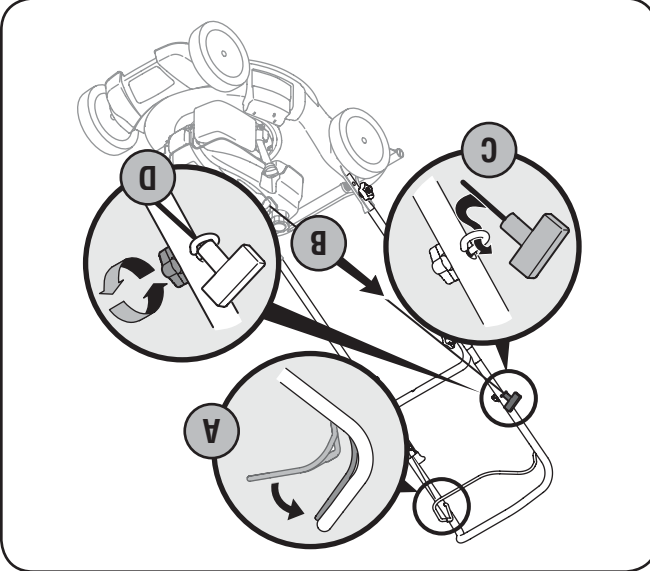


Figure 3-3



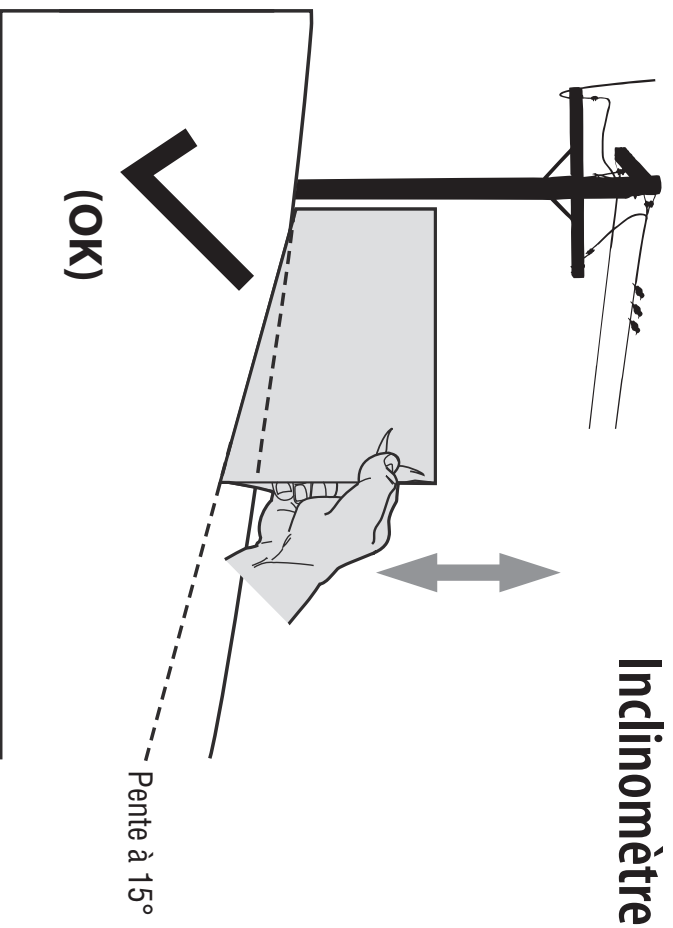


Figure 1

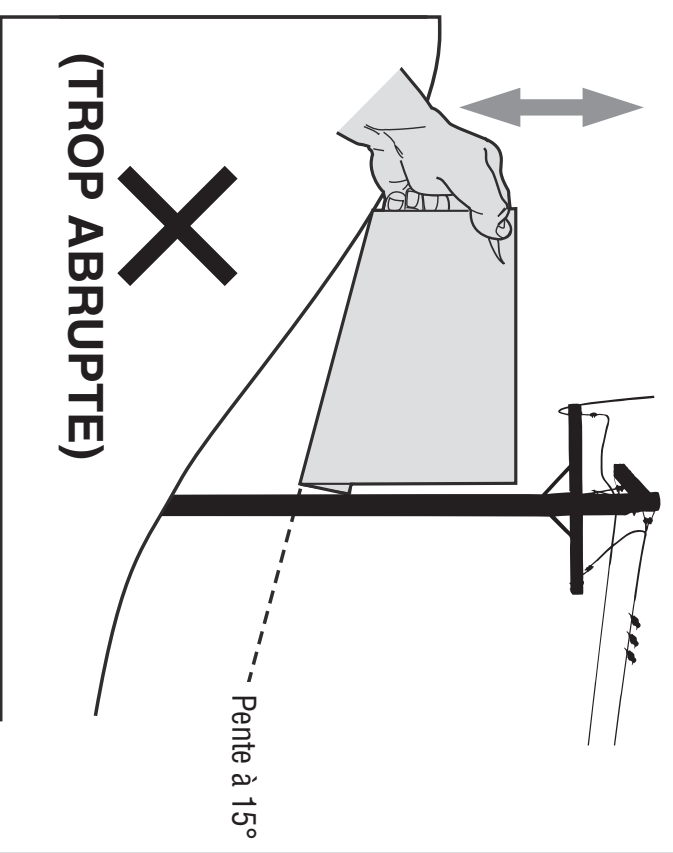


Figure 2

**UTILISEZ CET INCLINOMÈTRE POUR DÉTERMINER SI UNE PENTE EST TROP ABRUPTE POUR PERMETTRE L'UTILISATION SANS DANGER DE LA MACHINE.**

Procédez comme suit pour vérifier la pente :

1. Détachez cette page et pliez-la en suivant la ligne pointillée.
2. Trouvez un objet vertical sur ou derrière la pente (un poteau téléphonique, une clôture, un arbre, etc.).
3. Alignez un côté de cette page avec l'objet (Voir les Figures 1 et 2).
4. Remontez ou abaissez l'inclinomètre jusqu'à ce que le coin gauche touche la pente (Voir les Figures 1 et 2).
5. S'il y a un espace sous l'inclinomètre, la pente est trop abrupte pour y travailler en toute sécurité. (Voir la Figure 2 ci-dessus).

*Ligne pointillée à 15°*



**AVERTISSEMENT:** Les accidents provoqués par des chutes et des glissades, qui surviennent souvent sur des pentes, peuvent causer des blessures graves. Travailler sur un terrain en pente demande des précautions supplémentaires. Si vous ne vous sentez pas à l'aise sur la pente, n'y travaillez pas.

## Symboles de sécurité

Cette page illustre et explique les symboles de sécurité qui peuvent se trouver sur cette machine. Veuillez lire et suivre toutes les instructions sur la machine et vous assurer de bien les comprendre avant d'essayer d'assembler et d'utiliser la machine.

Description	Symbol
<p>VEUILLEZ LIRE LA OU LES NOTICES D'UTILISATION. Veuillez lire et suivre toutes les instructions sur la machine et vous assurer de bien les comprendre avant d'essayer d'assembler et d'utiliser la machine.</p>	
<p>DANGER – LAMES EN MOUVEMENT Pour éviter les risques de blessures, n'approchez jamais les mains ni les pieds des pièces en mouvement. N'utilisez pas la machine si le déflecteur de la goulotte ou si le sac à herbe n'est pas en place. S'ils sont endommagés, remplacez-les immédiatement.</p>	
<p>DANGER – SPECTATEURS Ne tondez pas si des enfants ou autres spectateurs sont à proximité.</p>	
<p>DANGER – AMPUTATION DES MAINS/PIEDS N'approchez jamais les mains ni les pieds des pièces en mouvement.</p>	
<p>DANGER – OBJETS PROJÉTÉS Enlevez tous les objets qui pourraient être projetés par les lames dans des directions différentes. Portez des lunettes de sécurité.</p>	
<p>DANGER — PENTES Soyez très prudent sur des pentes. Ne tondez pas sur des pentes supérieures à 15°.</p>	
<p>AVERTISSEMENT – L'ESSENCE EST UN PRODUIT INFLAMMABLE. Laissez le moteur refroidir pendant au moins deux minutes avant de refaire le plein.</p>	
<p>AVERTISSEMENT – MONOXYDE DE CARBONE Ne faites jamais fonctionner un moteur à l'intérieur ou dans un bâtiment mal ventilé. Les gaz d'échappement contiennent du monoxyde de carbone, un gaz inodore et mortel.</p>	
<p>AVERTISSEMENT – SURFACE CHAUDE Les pièces du moteur, en particulier le silencieux, ont tendance à chauffer pendant le fonctionnement de la machine. Laissez le moteur et le silencieux refroidir avant de les toucher.</p>	



**AVERTISSEMENT:** Votre responsabilité. Cette machine ne doit être utilisée que par des personnes qui peuvent lire, comprendre et respecter les avertissements et instructions qui figurent dans cette notice et sur la machine

## CONSERVEZ CES INSTRUCTIONS

## Avis concernant les émissions de gaz

Les moteurs certifiés conformes aux normes régulatrices de la Californie et de l'agence EPA fédérales pour SORE (petit équipement hors route) sont certifiés pour fonctionner avec de l'essence sans plomb ordinaire et peuvent être dotés des systèmes de contrôle des émissions de gaz suivants : Engine Modification (EM) et Three Way Catalyst (TWC) le cas échéant.

### Pare-étincelles

**AVERTISSEMENT:** Cette machine est équipée d'un moteur à combustion interne et elle ne doit pas être utilisée sur un terrain non entretenu, recouvert de broussailles ou d'herbe si le système d'échappement du moteur n'est pas muni d'un pare-étincelles, conformément aux lois et règlements provinciaux ou locaux (le cas échéant). Si un pare-étincelles est utilisé, il doit être maintenu en bon état de marche par l'utilisateur de la machine. La station technique agréée la plus proche peut vous fournir un pare-étincelles pour le pot d'échappement de cette machine.



15. D'après la Consumer Products Safety Commission (CPSC - Commission sur la sécurité des produits de consommation) et la "U.S. Environmental Protection Agency" (EPA - Agence américaine de protection de l'environnement), ce produit a une durée de vie utile moyenne de sept (7) ans, ou 140 heures de fonctionnement. Au terme de cette durée de vie utile moyenne, achetez une machine neuve ou faites inspecter la machine chaque année par une station technique agréée pour vous assurer que tous les dispositifs mécaniques et de sécurité sont en bon état de marche et ne sont pas usés de façon excessive. Le non-respect de ces recommandations peut causer des accidents et des blessures graves ou mortelles.

### Ne modifiez pas le moteur

Pour éviter toute blessure grave ou fatale, ne modifiez pas du tout le moteur. Toute modification du réglage du régulateur peut provoquer l'emballlement du moteur et entraîner son fonctionnement à des vitesses dangereuses. Ne modifiez jamais le réglage de l'usine du régulateur.

4. Faites très attention en approchant d'angles morts, de buis-sons, d'autres objets qui peuvent gêner votre visibilité.
5. Éloignez les enfants des moteurs chauds ou en cours d'utilisation. Les enfants peuvent subir des brûlures graves au contact d'un silencieux chaud.
6. Ne permettez jamais à des enfants de moins de 14 ans d'utiliser la tondeuse. Des adolescents âgés de 14 ans ou plus doivent lire la notice d'utilisation, bien comprendre le fonctionnement de la machine et respecter les consignes de sécurité. Ils doivent apprendre à utiliser la machine et s'en servir sous la surveillance étroite d'un adulte.

## ENTRETIEN

### Manipulation de l'essence:

1. Pour éviter toute blessure ou dégât matériel, faites très attention en manipulant de l'essence. Il s'agit d'un produit extrêmement inflammable et les vapeurs risquent d'exploser. Vous pouvez être grièvement blessé si des éclaboussures sur votre peau ou sur vos vêtements s'enflamment. Rincez votre peau et changez immédiatement de vêtements.
2. Remisisez le carburant dans des bidons homologués seulement.
3. Ne faites jamais le plein dans un véhicule, ni à l'arrière d'une camionnette dont le plancher est recouvert d'un revêtement en plastique. Placez toujours les bidons par terre et loin de votre véhicule avant de les remplir.
4. Dans la mesure du possible, déchargez l'équipement motorisé de la remorque et faites le plein par terre. Si cela n'est pas possible, faites le plein avec un bidon plutôt que directement de la pompe à essence.
5. Maintenez le gicleur en contact avec le bord du réservoir d'essence ou avec l'ouverture du bidon jusqu'à ce que le plein soit terminé. N'utilisez pas un gicleur équipé d'un dispositif de blocage en position ouverte.
6. Éteignez toute cigarette ou pipe, tout cigare ou toute autre chaleur incandescente.
7. Ne faites jamais le plein à l'intérieur car des vapeurs inflammables risquent de s'accumuler.
8. N'enlevez jamais le capuchon d'essence et n'ajoutez pas d'essence pendant que le moteur tourne ou s'il est chaud. Laissez le moteur refroidir pendant au moins deux minutes avant de faire le plein.
9. Ne faites jamais déborder le réservoir. Laissez un espace d'un demi-pouce environ pour permettre l'expansion du carburant.
10. Resserrez bien le capuchon d'essence.
11. En cas de débordement, essuyez toute éclaboussure de carburant ou d'huile et enlevez tous les débris imbibés d'essence. Déplacez la machine à un autre endroit. Attendez 5 (cinq) minutes avant de mettre en marche le moteur.
12. Ne remisiez jamais la machine ou les bidons d'essence à l'intérieur s'il y a une flamme, une étincelle (chauffe-eau à gaz, radiateur, sèche-linge, etc.).
13. Limitez les risques d'incendie en débarrassant le moteur des brins d'herbe, feuilles et autres saletés. Essuyez les éclaboussures de carburant ou d'huile et enlevez tous les débris imbibés d'essence.

### Entretien général:

14. Laissez la machine refroidir pendant au moins 5 minutes avant de la remisier.
1. Ne faites jamais fonctionner la machine dans un local clos car les gaz d'échappement du moteur contiennent du monoxyde de carbone, un gaz inodore très dangereux.
2. Avant de nettoyer, de réparer ou d'examiner la machine, vérifiez que la lame et toutes les pièces mobiles se sont immobilisées. Débranchez le fil de la bougie et mettez-le à la terre contre le moteur pour empêcher tout démarrage accidentel.
3. Vérifiez souvent que la lame et les boulons de montage du moteur sont bien serrés. Examinez visuellement la lame pour détecter toute usure excessive, tout fendillement. Remplacez-la avec une lame authentique seulement (de la liste de pièces qui se trouve dans cette notice). «L'emploi de pièces non conformes aux caractéristiques de l'équipement d'origine peut causer des performances inférieures et réduire la sécurité.»
4. La lame est coupante et peut causer des blessures graves. Enveloppez-la avec un chiffon ou portez des gants et faites très attention en la manipulant.
5. Assurez-vous que tous les écrous, boulons et vis sont bien serrés pour que l'équipement soit toujours en bon état de marche.
6. Ne modifiez jamais les dispositifs de sécurité. Vérifiez souvent qu'ils fonctionnent bien.
7. Si vous heurtez un objet, arrêtez immédiatement le moteur, débranchez le fil de la bougie et examinez soigneusement la machine. Réparez les dégâts éventuels avant de remettre la machine en marche.
8. N'essayez jamais d'ajuster une roue ou de changer la hauteur de coupe pendant que la machine tourne.
9. Les pièces du sac à herbe et le clapet de la goulotte d'éjection peuvent s'user et être endommagés et, par conséquent, exposer les pièces mobiles ou causer la projection de débris. Par mesure de sécurité, vérifiez souvent les pièces et remplacez-les immédiatement avec des pièces authentiques seulement (de la liste de pièces qui se trouve dans cette notice). «L'emploi de pièces non conformes aux caractéristiques de l'équipement d'origine peut causer des performances inférieures et réduire la sécurité.»
10. Ne modifiez pas le réglage du régulateur et ne laissez pas le moteur s'emballer. Le régulateur maintient le moteur à son régime maximal de fonctionnement sans danger.
11. Vérifiez souvent l'état des conduites d'essence, du réservoir, du bouchon d'essence et autres raccords. Remplacez-les si vous détectez un fendillement ou une fuite.
12. Ne faites pas tourner le moteur si la bougie n'est pas installée.
13. Prenez soin des étiquettes d'instructions et remplacez-les au besoin.
14. Respectez les règlements concernant l'élimination des déchets et liquides qui risquent de nuire à la nature et à l'environnement.

14. Ne tirez jamais la tondeuse vers vous en marchant. S'il faut faire reculer la tondeuse près d'un mur d'un autre obstacle, regardez d'abord par terre et derrière vous, puis procédez comme suit:
  - a. Eloignez-vous de la tondeuse à bout de bras.
  - b. Assurez votre stabilité.
  - c. Reculez la tondeuse lentement et d'une demi-longueur de bras seulement.
  - d. Répétez selon les besoins.
15. N'utilisez jamais la tondeuse en état d'ébriété ou si vous prenez des médicaments ralentissant les réactions.
16. Dégagez le dispositif d'auto-propulsion ou l'embrayage d'entraîinement, le cas échéant, avant de faire démarrer le moteur.
17. La poignée de commande de la lame est un dispositif de sécurité. Ne tentez jamais de contourner son rôle. Ceci empêche le dispositif de sécurité de fonctionner correctement et peut causer des blessures en cas de contact avec la lame. La poignée de commande de la lame doit bouger facilement dans les deux sens et revenir automatiquement à la position non enclenchée quand on la lâche.
18. N'utilisez jamais la tondeuse si le gazon est mouillé. Soyez toujours bien en équilibre. Faites attention de ne pas glisser et de ne pas tomber pour éviter des blessures graves. Si vous perdez votre équilibre, lâchez la poignée de commande de la lame immédiatement et la lame arrêtera de tourner en trois secondes.
19. Utilisez la tondeuse seulement dans la lumière du jour ou dans la bonne lumière artificielle. Marchez, ne courez pas. Arrêtez la lame avant de traverser des allées, trottoirs ou chemins recouverts de gravier.
20. Si la machine commence à vibrer d'une manière anormale, arrêtez le moteur et cherchez immédiatement la cause. En général, toute vibration indique un problème.
22. Arrêtez le moteur et attendez que la lame se soit immobilisée avant de détacher le sac à herbe ou de déboucher la goulotte. La lame continue à tourner pendant quelques secondes après que le moteur s'est éteint. Ne placez jamais une partie du corps dans le secteur de la lame avant d'être certain que celle-ci est immobile.
23. N'utilisez jamais la tondeuse si l'abatant de protection arrière, la goulotte d'éjection, un sac à herbe, la poignée de commande de la lame ou tout autre dispositif de sécurité approprié n'est pas en place et qui en bon état de fonctionnement. N'utilisez jamais la tondeuse avec des dispositifs de sécurité endommagés. Le non-respect de ces consignes peut causer des blessures graves.
24. Le silencieux et le moteur deviennent très chauds et peuvent causer des brûlures. Ne les touchez pas.
25. Essayez jamais d'ajuster une roue ou de changer la hauteur de coupe pendant que la tondeuse tourne.
26. N'utilisez que des accessoires recommandés par le fabricant de la machine. Le non-respect de ce consigne peut causer des blessures graves.

1. Eloignez les enfants de la zone de travail et placez-les sous la surveillance d'un adulte autre que le conducteur de la machine.
  2. Restez vigilant et arrêtez la machine si des enfants s'approchent de la zone de travail.
  3. Regardez toujours derrière vous et par terre avant de reculer et en reculant.
- Un accident grave risque de se produire si le conducteur n'est pas toujours vigilant en présence d'enfants. Les enfants sont souvent attirés par la machine et la tonte de l'herbe. Ils ne comprennent pas les dangers. Ne supposez jamais qu'ils vont rester là où vous les avez vus.

## Enfant

1. Ne tondez pas près d'une falaise ou d'un talus. Le conducteur peut facilement perdre l'équilibre.
2. Ne tondez pas sur une pente supérieure à 15° selon l'inclinaison.
3. Ne tondez pas de l'herbe mouillée. La traction réduite peut provoquer un dérapage.

## À ne pas faire:

1. Travaillez parallèlement à la pente, jamais perpendiculairement, faites très attention en changeant de direction sur une pente.
2. Faites attention aux trous et ornières. La machine peut se retourner sur un terrain accidenté. Des herbes hautes peuvent cacher des obstacles.
3. Vérifiez toujours votre équilibre. Vous risquez de glisser, de tomber et de vous blesser grièvement. Si vous sentez que vous allez perdre l'équilibre, lâchez immédiatement le guidon, et la lame arrêtera de tourner en trois secondes.

## À faire:

1. Travaillez parallèlement à la pente, jamais perpendiculairement, faites très attention en changeant de direction sur une pente.
2. Faites attention aux trous et ornières. La machine peut se retourner sur un terrain accidenté. Des herbes hautes peuvent cacher des obstacles.
3. Vérifiez toujours votre équilibre. Vous risquez de glisser, de tomber et de vous blesser grièvement. Si vous sentez que vous allez perdre l'équilibre, lâchez immédiatement le guidon, et la lame arrêtera de tourner en trois secondes.

## Utilisation sur une pente

27. Pour mettre le moteur en marche, tirez lentement la poignée du démarreur à l'arrière jusqu'à ce que vous sentiez une légère résistance, puis tirez-la rapidement. Le retour rapide de la corde du démarreur (le recul) attirera votre main et votre bras vers le moteur plus vite que vous ne pourrez lâcher la poignée. Des fractures des os, hématomes ou foulures peuvent en résulter.
28. En cas de situations non mentionnées dans cette notice, soyez prudent et faites preuve de bon sens. Contactez le service à la clientèle pour obtenir le nom du concessionnaire local.

# Importantes consignes de sécurité

**AVERTISSEMENT:** Ce symbole attire votre attention sur des consignes de sécurité importantes qui, si elles ne sont pas respectées, peuvent mettre en danger non seulement votre personne et vos biens, mais aussi ceux d'autrui. Prière de lire toutes les instructions figurant dans cette notice d'utilisation avant d'essayer de vous servir de cette machine. Le non-respect de ces instructions peut entraîner des blessures corporelles. RESPECTEZ L'AVERTISSEMENT QUI ACCOMPAGNE CE SYMBOLE!



**AVERTISSEMENT:** Les gaz d'échappement de ce produit contiennent des produits chimiques reconnus dans l'État de Californie comme causant le cancer, des anomalies congénitales ou d'autres problèmes liés à la reproduction.



**AVERTISSEMENT :** Les bornes et cosses de batterie et d'autres accessoires annexes contiennent du plomb et des mélanges à base de plomb, soit des produits chimiques reconnus comme cancérogènes et responsables d'anomalies congénitales ou autres par l'État de Californie. Il est impératif de bien se laver les mains après toute maintenance.



**DANGER:** Cette machine doit être utilisée conformément aux consignes de sécurité qui figurent dans la notice d'utilisation. Comme avec tout appareil motorisé, une négligence ou une erreur de la part de l'utilisateur peut entraîner des blessures graves. Cette machine peut amputer mains et pieds et projeter des débris. Par conséquent, le non-respect de ces consignes peut causer des blessures corporelles graves et même mortelles.



## Utilisation en général

1. Veuillez lire attentivement la notice d'utilisation avant d'essayer d'assembler la machine. Assurez-vous de lire et de bien comprendre toutes les instructions qui figurent sur la machine et dans la notice d'utilisation avant de la mettre en marche. Conservez cette notice d'utilisation à un endroit sûr pour toute consultation ultérieure et pour commander des pièces de rechange.
2. Familiarisez-vous avec les commandes et les conseils d'utilisation de la machine avant de vous en servir.
3. Cette machine motorisée est un outil de précision, pas un jouet. Soyez par conséquent toujours très prudent. Le seul rôle de cette machine est de tondre le gazon. Ne l'utilisez jamais dans un autre but.
4. Ne permettez jamais à des enfants de moins de 14 ans de se servir de la machine. Des enfants plus âgés doivent lire et comprendre le mode d'emploi de la machine et les consignes de sécurité qui figurent dans cette notice d'utilisation. Un adulte doit leur apprendre à se servir de cette machine et les surveiller.
5. Seules des personnes mûres ayant pris connaissance des consignes de sécurité doivent être autorisées à utiliser cette machine.
6. Examinez soigneusement la zone de travail. Ramassez les pierres, bâtons, fils métalliques, os, jouets et autres objets qui pourraient vous faire trébucher ou qui risquent d'être ramassés et projetés par la lame. Les objets projetés par la machine peuvent causer des blessures graves.
7. Prévoyez de travailler en évitant de projeter l'herbe vers des rues, des trottoirs, des spectateurs, etc. Évitez d'éjecter l'herbe en direction d'un mur ou d'un obstacle. De cette façon, les débris éventuels ne risquent pas de ricocher et de blesser quelqu'un.
8. Pour éviter tout risque de contact avec la lame ou de blessure par un projectile, éloignez les enfants, passants et animaux à au moins 75 pieds de la tondeuse pendant qu'elle fonctionne. Arrêtez la machine si quelqu'un s'approche.
9. Portez toujours des lunettes de sécurité en utilisant la machine ou en effectuant un réglage ou une réparation. Un objet peut en effet être projeté, ricocher et vous blesser aux yeux.
10. Portez des chaussures robustes à semelle épaisse et des vêtements bien ajustés. Une chemise et un pantalon qui protègent les bras et les jambes et des chaussures à bout d'acier sont recommandés. N'utilisez jamais la tondeuse si vous êtes pieds nus ou si vous portez des sandales ou des tennis.
11. Ne placez jamais vos mains ou vos pieds près d'une pièce en mouvement ou sous le plateau de coupe. La lame peut amputer mains et pieds.
12. L'absence du clapet de la goulotte d'éjection ou un clapet endommagé peut causer des blessures en cas de contact avec la lame ou projeter des objets.
13. De nombreuses blessures se produisent lorsque la tondeuse passe sur le pied à la suite d'une chute. Ne retenez pas la tondeuse si vous tombez. Lâchez immédiatement le guidon.

# À l'intention du propriétaire

Merci !

Merci d'avoir acheté votre nouvel équipement. Celui-ci véhicule a été soigneusement conçu pour vous offrir des performances remarquables s'il est correctement utilisé et entretenu.

Vous lirez cette notice d'utilisation au complet avant d'utiliser l'équipement. Elle vous explique comment préparer la machine et comment l'utiliser et l'entretenir facilement et en toute sécurité. Veuillez vous assurer que toute personne qui utilisera la machine suivra soigneusement les consignes de sécurité énoncées. Le non respect de ces consignes peut causer des blessures corporelles ou des dégâts matériels.

Tous les renseignements fournis ici sont les plus récents qui sont disponibles à propos de ce produit au moment de l'impression de cette notice d'utilisation. Consultez souvent cette notice d'utilisation pour vous familiariser avec la machine, ses caractéristiques et son fonctionnement. Sachez que cette notice peut mentionner une vaste gamme de spécifications techniques concernant différents modèles. Les caractéristiques et les avantages mentionnés et/ou illustrés dans cette notice peuvent

ne pas s'appliquer à tous les modèles. Le fabricant se réserve le droit de modifier les caractéristiques techniques du produit, les modèles et l'équipement sans préavis et sans obligation. En cas de problème ou de question concernant cette machine, adressez-vous au concessionnaire de service de votre localité ou appelez-nous directement. Les numéros de téléphone du service après-vente, l'adresse Internet et l'adresse postale se trouvent sur cette page. Nous voulons nous assurer que nos clients seront toujours satisfaits.

Les mentions de *droite* et de *gauche* dans cette notice d'utilisation s'entendent à partir du poste de conduite.

**Le fabricant du moteur est responsable pour tous les problèmes concernant la performance, la puissance, les caractéristiques techniques, la garantie et l'entretien du moteur. Veuillez consulter la notice d'utilisation du moteur, fournie séparément avec la machine, pour obtenir de plus amples renseignements.**

<b>Table des matières</b>	<b>3</b>
<b>Consignes de sécurité</b>	<b>3</b>
<b>Assemblage et Montage</b>	<b>9</b>
<b>Commandes et caractéristiques</b>	<b>12</b>
<b>Fonctionnement</b>	<b>13</b>
<b>Entretien et réglages</b>	<b>14</b>
<b>Service technique</b>	<b>16</b>
<b>Dépannage</b>	<b>17</b>
<b>Pièces de rechange</b>	<b>18</b>
<b>Garantie</b>	<b>19</b>
<b>The Surestart Guarantee™</b>	<b>20</b>

## Enregistrez les renseignements concernant la machine.

Avant de préparer et d'utiliser votre nouvelle machine, veuillez localiser la plaque signalétique et reporter les renseignements fournis sur la droite. Pour localiser la plaque signalétique, placez-vous derrière la machine au poste de conduite et regardez l'arrière de la machine. Ces renseignements seront nécessaires si vous avez besoin d'une aide technique soit par l'intermédiaire de notre site Internet, soit auprès du concessionnaire de votre localité.

**NUMÉRO DE MODÈLE**

--	--	--	--	--	--	--	--	--	--	--	--	--	--	--	--	--	--	--	--	--

**NUMÉRO DE SÉRIE**

--	--	--	--	--	--	--	--	--	--	--	--	--	--	--	--	--	--	--	--	--

## Service après-vente

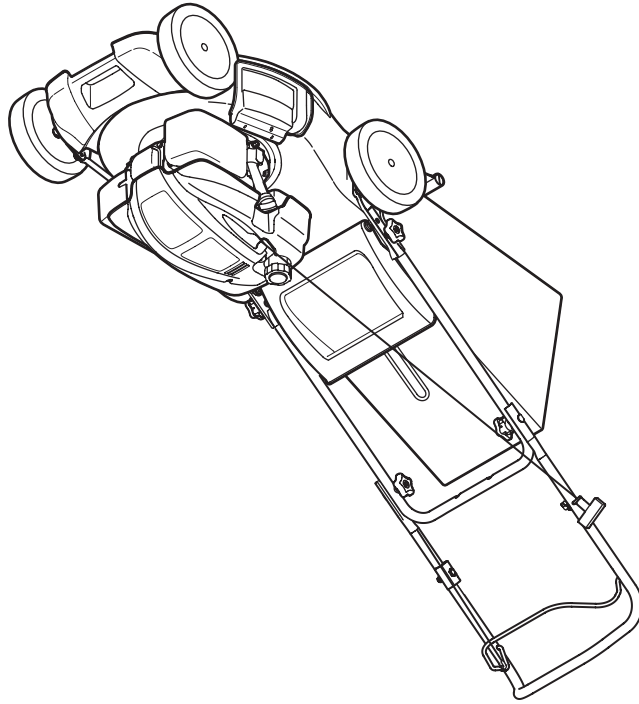
**Veuillez NE PAS retourner la machine au détaillant qui vous l'a vendue, sans vous adresser d'abord au service après-vente.**

Nos techniciens peuvent vous aider si vous avez des difficultés en assemblant cette machine ou si vous avez des questions concernant ses commandes, son fonctionnement ou son entretien. Choisissez parmi les options ci-dessous :

- ◇ Visitez notre site web à [www.cubcadet.ca](http://www.cubcadet.ca)
- ◇ Rendez visite au concessionnaire le plus proche de chez vous en appelant le service après-vente au 1-800-668-1238.
- ◇ Écrivez-nous à Cub Cadet • P.O. Box 1386 • 97 Kent Avenue • Kitchener, Ontario, Canada • N2G 4J1

# Cub Cadet®

## NOTICE D'UTILISATION



### Tondeuse poussée 19 po – Modèle 18M

#### **⚠ Avertissement**

PRIÈRE DE LIRE TOUTES LES INSTRUCTIONS FIGURANT DANS CETTE NOTICE D'UTILISATION AVANT D'ESSAYER DE VOUS SERVIR DE CETTE MACHINE. LE NON-RESPECT DE CES INSTRUCTIONS PEUT ENTRAÎNER DES BLESSURES CORPORELLES.

P. O. Box 1386, 97 Kent Avenue, Kitcheners, ON N2G 4J1