

Supplement Sheet

Date: February 7, 2012
Subject: Steering Column Assembly
Model(s): All RZT-S Models

The hardware (two hex screws and two flat washers) used to secure the Steering Column may be packed separately. Refer to the information below in place of instructions found in Set-up and Assembly section of your Operator's Manual.

Contents of Crate

- One Lawn Tractor
- One Deck Wash Hose Coupler
- One Operator's Manual
- One Engine Operator's Manual
- Two Hex Screws and Flat Washers

Steering Wheel Column

The steering wheel column is tilted all the way back for shipping.

1. Place the steering column in one of the two positions and secure in place with the hex screws and flat washers packed separately. See Fig. 3-2.

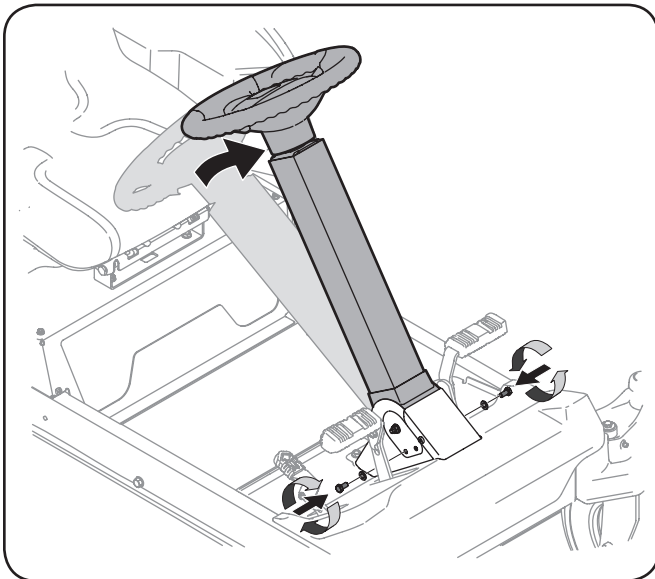


Figure 3-2

CUB CADET LLC, P.O. BOX 361131 CLEVELAND, OHIO 44136-0019