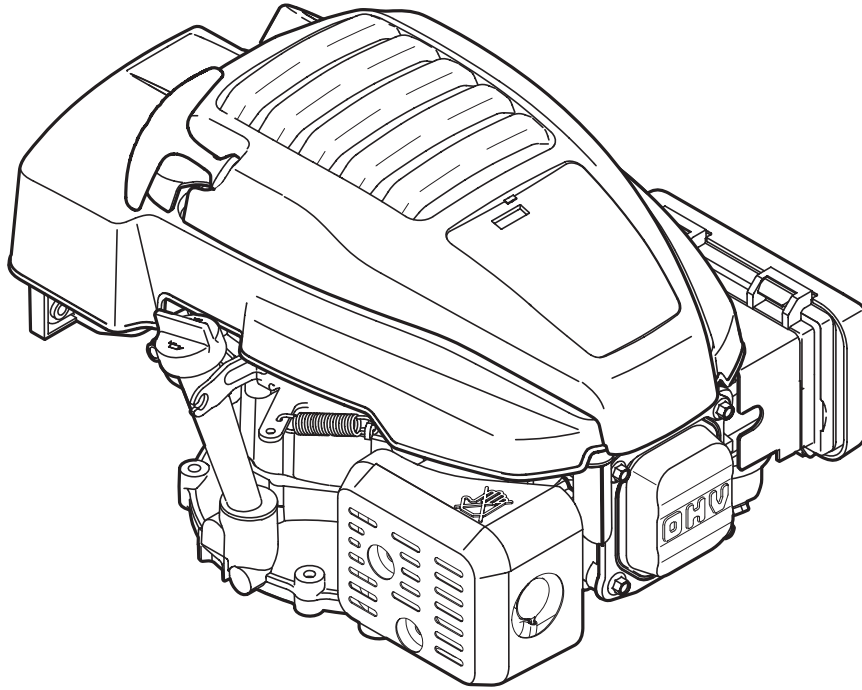


OPERATOR'S MANUAL



159 cc OHV Vertical Shaft Engine

⚠ WARNING

**READ AND FOLLOW ALL SAFETY RULES AND INSTRUCTIONS IN THIS MANUAL
BEFORE ATTEMPTING TO OPERATE THIS MACHINE.
FAILURE TO COMPLY WITH THESE INSTRUCTIONS MAY RESULT IN PERSONAL INJURY.**

MTD Products Ltd., P. O. Box 1386, KITCHENER, ONTARIO N2G 4J1

Thank You

This Operator's Manual is an important part of your new engine. It will help you prepare and maintain the engine for the best performance. Please read and understand the contents before operating the engine.

Table of Contents

<i>Safe Operation Practices</i>	3	<i>Maintenance & Adjustments</i>	10
<i>Safety Labels</i>	5	<i>Troubleshooting</i>	15
<i>Set-Up</i>	6	<i>Replacement Parts</i>	16
<i>Controls & Features</i>	8	<i>Warranty</i>	17
<i>Operation</i>	9		

Record Product Information

Before operating your new engine, please locate the model plate on the engine and record the information in the provided area below. This information will be necessary, should you seek technical support via our web site or with your local dealer.

MODEL NUMBER/SERIAL NUMBER

<input type="text"/>	<input type="text"/>	<input type="text"/>	<input type="text"/>	<input type="text"/>	<input type="text"/>	<input type="text"/>	<input type="text"/>	/	<input type="text"/>	<input type="text"/>	<input type="text"/>	<input type="text"/>	<input type="text"/>	<input type="text"/>	<input type="text"/>	<input type="text"/>	<input type="text"/>	<input type="text"/>	<input type="text"/>
----------------------	----------------------	----------------------	----------------------	----------------------	----------------------	----------------------	----------------------	---	----------------------	----------------------	----------------------	----------------------	----------------------	----------------------	----------------------	----------------------	----------------------	----------------------	----------------------

Customer Support

Please do NOT return the machine to the retailer or dealer without first contacting our Customer Support Department.

If you have difficulty with this product or have any questions regarding the controls, operation, or maintenance of this engine, you can seek help from the experts. Choose from the options below:

- ◇ Visit us on the web at www.mtdcanada.ca
- ◇ Call a Customer Support Representative at (800) 668-1238
- ◇ Write us at P.O. Box 1386 • 97 Kent Avenue • Kitchener, Ontario, Canada • N2G 4J1

Important Safe Operation Practices

2



WARNING! This symbol points out important safety instructions which, if not followed, could endanger the personal safety and/or property of yourself and others. Read and follow all instructions in this manual before attempting to operate the equipment. Failure to comply with these instructions may result in personal injury. When you see this symbol. **HEED IT'S WARNING!**

CALIFORNIA PROPOSITION 65



WARNING! Engine Exhaust, some of its constituents, and certain vehicle components contain or emit chemicals known to State of California to cause cancer and birth defects or other reproductive harm.



DANGER! This machine was built to be operated according to the safe operation practices in this manual. As with any type of power equipment, carelessness or error on the part of the operator can result in serious injury. This machine is capable of amputating fingers, hands, toes and feet and throwing foreign objects. Failure to observe the following safety instructions could result in serious injury or death.

Training

1. Read, understand and follow all instructions on the engine and in the manual(s) before attempting to assemble and operate. Keep this manual in a safe place for future and regular reference and for ordering replacement parts.
2. Be familiar with all controls and their proper operation. Know how to stop the engine and disengage them quickly.
3. Never allow children under 14 years of age to operate the engine. Children 14 and over should read and understand the instructions and safe operation practices in this manual and on the engine and be trained and supervised by an adult.
4. Never allow adults to operate the machine without proper instruction.
5. Keep the area of operation clear of all persons, particularly small children and pets. Stop machine if anyone enters the area.

Preparation

1. Thoroughly inspect the area where the equipment is to be used. Remove all stones, sticks, wire and other foreign objects which could be tripped over and cause personal injury.
2. Wear sturdy, rough-soled work shoes and close fitting slacks and shirts. Loose fitting clothes or jewelry can be caught in the moving parts. Never operate the machine in bare feet or sandals.
3. Disengage clutch levers and shift (if equipped) into neutral ("N") before starting the engine.

4. Never leave the engine running while unattended.
5. Never attempt to make any adjustments while the engine is running, except where specifically recommended in the operator's manual.

Safe Handling of Gasoline:

To avoid personal injury or property damage, use extreme care in handling gasoline. Gasoline is extremely flammable and the vapors are explosive. Serious personal injury can occur when gasoline is spilled on yourself and/or your clothes which can ignite. Wash your skin and change clothes immediately.

1. When adding fuel, turn engine OFF and let engine cool at least 2 minutes before removing the gas cap.
2. Fill fuel tank outdoors or in well ventilated area.
3. Use only an approved gasoline container.
4. Never fill containers inside a vehicle or on a truck or trailer bed with a plastic liner. Always place containers on the ground away from your vehicle before filling.
5. If possible, remove gas-powered equipment from the truck or trailer and refuel it on the ground. If this is not possible, then refuel such equipment on a trailer with a portable container, rather than from a gasoline dispenser nozzle.
6. Keep the nozzle in contact with the rim of the fuel tank or container opening at all times until fueling is complete. Do not use a nozzle lock-open device.

7. Do not overfill fuel tank. Fill tank to full as indicated by the fuel level indicator installed inside of the fuel tank. Do not over-fill to allow space for fuel expansion. On some models, a fuel level indicator may NOT be present, in this instance, fill the tank no more than 1/2 inch below the bottom of the filler neck to allow space for fuel expansion.
8. Replace fuel cap and tighten until the cap ratchets.
9. If gasoline is spilled, wipe it off the engine and the equipment. Move the machine to another area. Wait five minutes before starting the engine.
10. To reduce fire hazards, keep the machine free of grass, leaves or other debris build up. Clean up oil or fuel spillage and remove any fuel-soaked debris.
11. Keep gasoline away from sparks, open flames, pilot lights, heat, and other ignition sources.
12. Never fuel equipment indoors because flammable vapors will accumulate in the area.
13. Extinguish all cigarettes, cigars, pipes, and other sources of ignition.
14. Check fuel line, tank, cap, and fittings frequently for cracks or leaks. Replace if necessary.

Operation

1. When starting the engine, make sure spark plug, muffler, and fuel cap are in place.
2. Do not crank engine with spark plug removed.
3. If fuel spills, wait until it evaporates before starting engine.
4. Allow muffler, engine cylinder, and fins to cool before touching.
5. Keep children away from hot or running engines. They can suffer burns from a hot muffler.
6. Remove accumulated combustibles from muffler and cylinder area.
7. Operate equipment with all guards in place.
8. Keep hands and feet away from rotating parts.
9. Tie up long hair and remove jewelry.
10. Do not wear loose-fitting clothing, dangling drawstrings or items that could become caught.
11. When starting the engine, pull cord slowly until resistance is felt, then pull rapidly.
12. Remove all external equipment/engine loads before starting engine.
13. Direct coupled equipment components such as, but not limited to blades, impellers, pulleys, sprockets, etc., must be securely attached.

Maintenance & Storage

1. Keep the engine in safe working order
2. Allow the engine to cool at least five minutes before storing. Never tamper with safety devices. Check their proper operation regularly.
3. Check bolts and screws for proper tightness at frequent intervals to keep the engine in safe working condition. Visually inspect the engine for any damage.
4. Before cleaning, repairing or inspecting; stop the engine and make certain all moving parts have stopped. Disconnect the spark plug wire and ground it against the engine to prevent unintended starting.
5. Do not change the engine governor settings or over-speed the engine. The governor controls the maximum safe operating speed of the engine.
6. Maintain and replace safety and instruction labels as necessary.
7. Always refer to the operator's manual for important details if the machine is to be stored for an extended period of time.
8. If the fuel tank has to be drained, do this outdoors.
9. Observe proper disposal laws and regulations for gas, oil, etc. to protect the environment.

Do not modify engine

To avoid serious injury or death, do not modify engine in any way. Tampering with the governor setting can lead to a runaway engine and cause it to operate at unsafe speeds. Never tamper with factory setting of engine governor.

Notice Regarding Emissions

Engines which are certified to comply with California and federal EPA emission regulations for SORE (Small Off Road Equipment) are certified to operate on regular unleaded gasoline, and may include the following emission control systems: Engine Modification (EM), Oxidizing Catalyst (OC), Secondary Air Injection (SAI) and Three Way Catalyst (TWC) if so equipped.

Spark Arrestor








WARNING: This machine is equipped with an internal combustion engine and should not be used on or near any unimproved forest-covered, brush covered or grass-covered land unless the engine's exhaust system is equipped with a spark arrester meeting applicable local or state laws (if any).

If a spark arrester is used, it should be maintained in effective working order by the operator.

A spark arrester for the muffler is available through your nearest engine authorized service dealer.

Safety Symbols

This page depicts and describes safety symbols that may appear on this product. Read, understand, and follow all instructions on the machine before attempting to assemble and operate.

Symbol	Description
	READ THE OPERATOR'S MANUAL(S) Read, understand, and follow all instructions in the manual(s) before attempting to assemble and operate
	WARNING—GASOLINE IS FLAMMABLE Allow the engine to cool at least two minutes before refueling.
	WARNING— CARBON MONOXIDE Never run an engine indoors or in a poorly ventilated area. Engine exhaust contains carbon monoxide, an odorless and deadly gas.
	WARNING— ELECTRICAL SHOCK Do not use the engine's electric starter in the rain
	WARNING— HOT SURFACE Engine parts, especially the muffler, become extremely hot during operation. Allow engine and muffler to cool before touching.



WARNING! Your Responsibility — Restrict the use of this power machine to persons who read, understand and follow the warnings and instructions in this manual and on the machine.

SAVE THESE INSTRUCTIONS!

Gas & Oil

NOTE: The engine is shipped without gasoline or oil in the engine. Running the engine with insufficient oil can cause serious engine damage and void the engine warranty.



WARNING! Always keep hands and feet clear of equipment moving parts. Do not use a pressurized starting fluid. Vapors are flammable.

Oil Recommendations

Before starting engine, fill with motor oil, capacity is 600 ml/20 oz. Refer to viscosity chart in Fig. 3-1 for oil recommendations. Do not over-fill. Use a 4-stroke, or an equivalent high detergent, premium quality motor oil certified to meet or exceed U.S. automobile manufacturer's requirements for service classification of a minimum level SJ (higher letter ratings are acceptable such as SL and SM grades).

SAE 10W-30 is recommended for general, all temperature use. If single viscosity oil is used, select the appropriate viscosity for the average temperature in your area from the chart below.

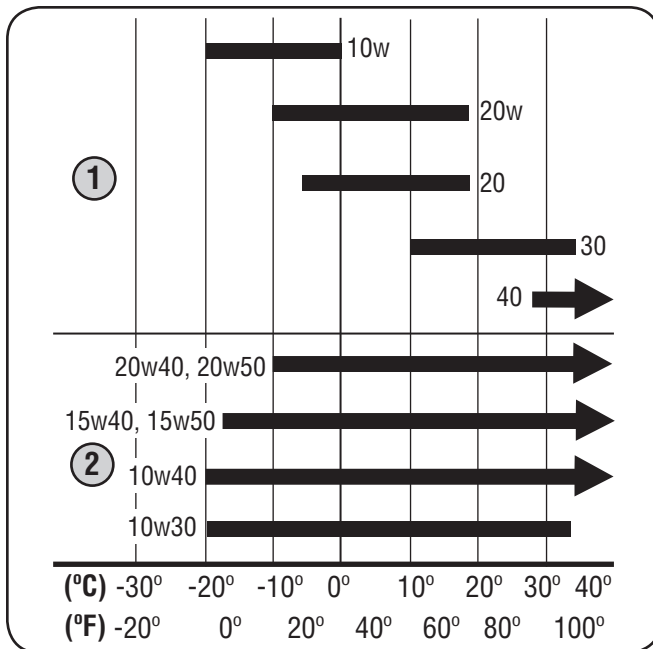


Figure 3-1

1. Single Viscosity
2. Multi Viscosity

CAUTION: Do not use non-detergent oil or 2-stroke engine oil. It could shorten the engine's service life.

NOTE: A 5w30 synthetic oil may be used to improve start ability for cold weather (temperatures below 40° F).

Checking Oil Level

NOTE: Be sure to check the oil while on a level surface with the engine stopped.

1. Remove the oil filler cap/dipstick and wipe the dipstick clean.
2. Insert the dipstick into the oil filler neck. Turn the dipstick a 1/4 turn into the locked position to fully seat.
3. Remove dipstick. If the level is low, slowly add oil to the upper limit on the dipstick. See Figure 3-2 inset.

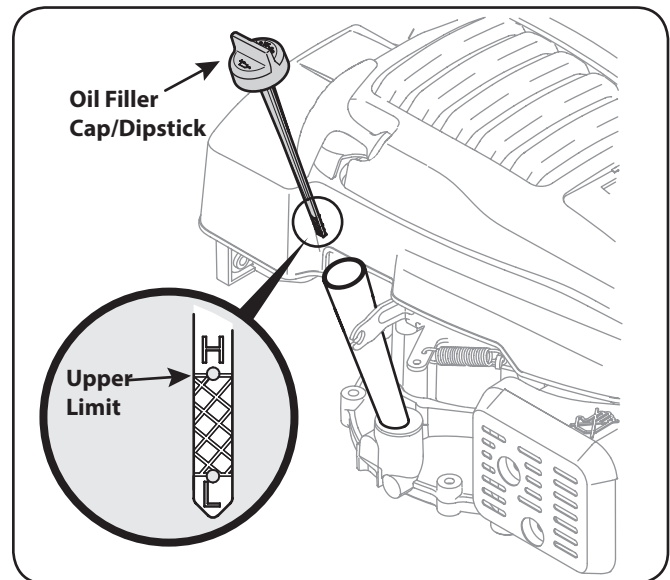


Figure 3-2

4. Reinsert the dipstick into the locked position before starting the engine.

NOTE: Do not overfill. Overfilling with oil may cause smoking, hard starting, spark plug fouling, or oil saturation of air cleaner.

Fuel Requirements



CAUTION: Operating the engine with E15 or E85 fuel, an oil/gasoline mixture, dirty gasoline, or **gasoline over 30 days old** without fuel stabilizing additive may result in damage to your engine's carburetor. Subsequent damage would **not** be covered under the manufacturer's warranty.

Use automotive gasoline (unleaded or low leaded to minimize combustion chamber deposits) with a minimum of 87 octane. Gasoline with up to 10% ethanol (E10) or 15% MTBE (Methyl Tertiary Butyl Ether) can be used. Never use an oil/gasoline mixture or dirty gasoline. Avoid getting dirt, dust, or water in the fuel tank. **DO NOT use E15 or E85 gasoline.**



WARNING! Gasoline is extremely flammable and is explosive under certain conditions.

- Refuel in a well-ventilated area with the engine stopped. Do not smoke or allow flames or sparks in the area where the engine is refueled or where gasoline is stored.
- Do not overfill the fuel tank. After refueling, make sure the tank cap is closed properly and securely.
- Be careful not to spill fuel when refueling. Spilled fuel or fuel vapor may ignite. If any fuel is spilled, make sure the area is dry before starting the engine.
- Avoid repeated or prolonged contact with skin or breathing of vapor.

Adding Fuel



WARNING! An adult should fuel this engine. NEVER allow children to refuel the engine. Gasoline (fuel) vapors are highly flammable and can explode. Fuel vapors can spread and be ignited by a spark or flame many feet away from engine. To prevent injury or death from fuel fires, follow these instructions:

NOTE: Some engines may not have the fuel cap installed for shipping purposes. To install, remove and discard the fuel tank dust cap labeled "Discard". Remove the bubble wrap packaging from around the fuel cap and tighten securely.

- DO NOT use leaded fuel.
- Fuel must be fresh and clean. NEVER use fuel left over from last season or stored for long periods.
- NEVER mix oil with fuel.
- DO NOT use fuel containing Methanol (Wood Alcohol)

NOTE: Before refueling, allow engine to cool two minutes.

1. Clean around fuel fill before removing cap to fuel.
2. Fill tank until fuel reaches ½ inch below the bottom of the filler neck to allow space for fuel expansion. Be careful not to overfill.
3. Replace the gasoline cap and tighten securely. Wipe up spilled fuel before starting engine. If fuel is spilled DO NOT start engine. Move machine away from area of spillage. Avoid creating any source of ignition until fuel vapors are gone.

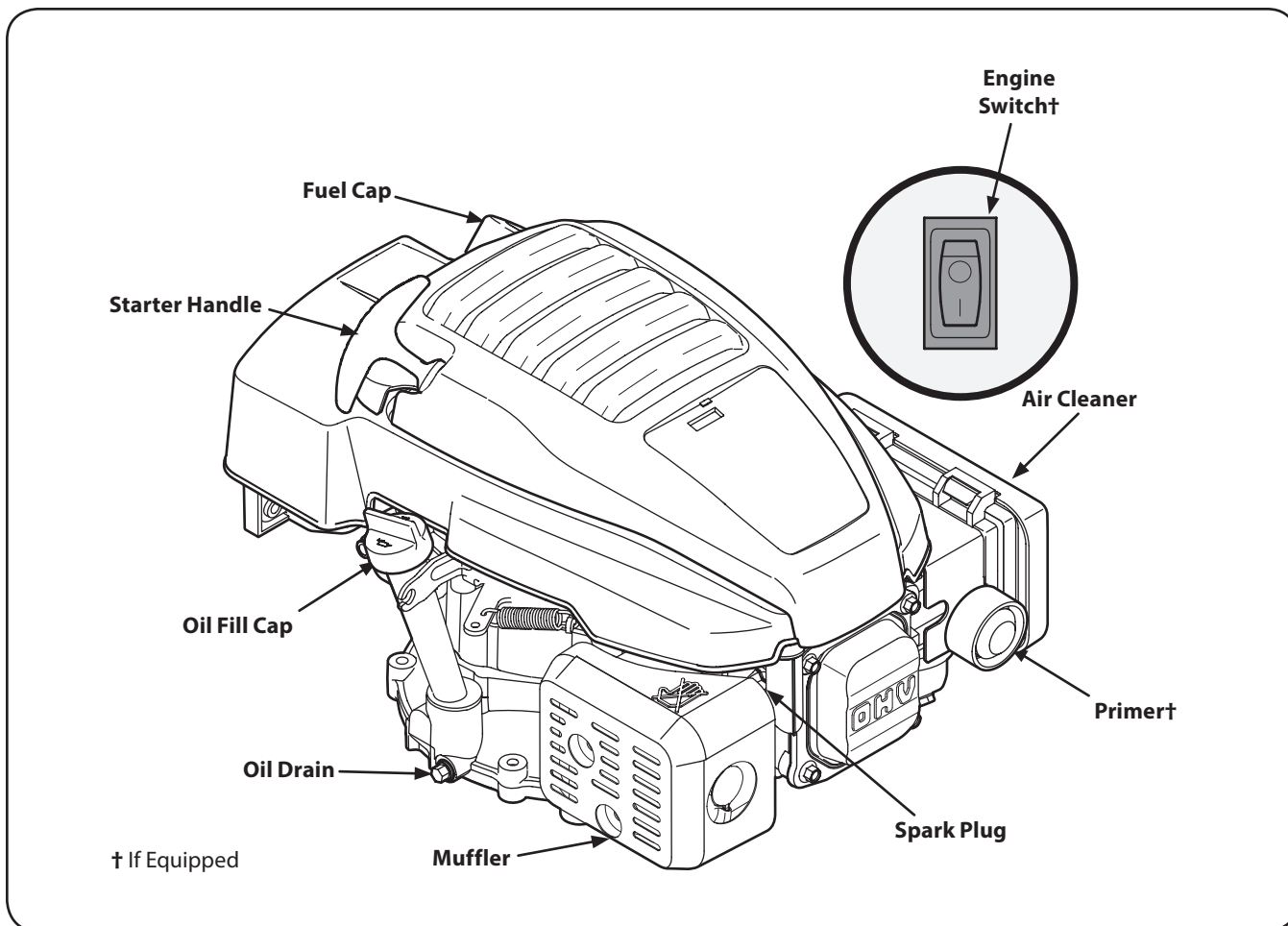
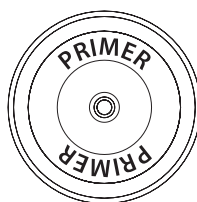


Figure 4-3

Primer (If Equipped)

The primer is located on the front of the engine, behind the air cleaner. Pressing the primer forces fuel directly into the engine's carburetor to aid in starting the engine.



Engine Switch (If Equipped)

The engine switch is located on the engine. Turn the switch "On" when starting the engine and turn it to "Off" when you want to shut it down.

Oil Drain

Removing the oil drain plug will drain the oil from the engine. The engine is equipped with a side drain, and on select units, you may also access a bottom drain.

Oil Fill Cap

Remove the oil fill cap to check the oil level and add oil.

Fuel Cap

Remove the fuel cap to add fuel.

Pre-Operation Check

The engine is shipped without gasoline or oil in the engine. See the Set-Up Section of this manual for instructions on adding oil and gasoline.

Determine The Starting System

Before starting the engine, you must determine the type of starting system that is on your engine. Your engine will have one of the following types:

- **Auto-Choke System:** This features an automatic choke that does not have a manual choke or primer.
- **Primer System:** This features a primer on the engine.

To start your engine, follow the instructions for your type of starting system.

Note: Equipment may have remote controls. See the equipment manual for location and operation of remote controls.

Starting the Engine



WARNING: Always keep hands and feet clear of equipment moving parts. Do not use a pressurized starting fluid. Vapors are flammable.

Auto-Choke System

1. Standing behind the mower, depress the blade control handle and hold it against the upper handle. See Figure 5-1.
2. Pull the starter grip lightly until resistance is felt, then pull rapidly to overcome compression, prevent kickback and start engine. Repeat if necessary.

IMPORTANT: Do not allow the starter grip to snap back against the engine. Return it gently to prevent damage to the starter.

Primer System

1. Push primer 3 times. Wait about two seconds between each push. See Figure 5-2. In temperature below 50°F, prime 5 times. After the engine is warmed up, one prime may be needed for all temperatures.
2. Standing behind the mower, squeeze and hold the blade control against upper handle.
3. Pull the recoil starter lightly until resistance is felt, then pull rapidly to overcome compression, prevent kickback, and start the engine. Repeat if necessary. See Figure 5-2.

IMPORTANT: Do not allow the recoil starter to snap back against the rope guide.

If engine does not start, it may be necessary to re-prime the engine.

Stopping Engine

1. Release blade control or turn off the engine switch (if equipped).

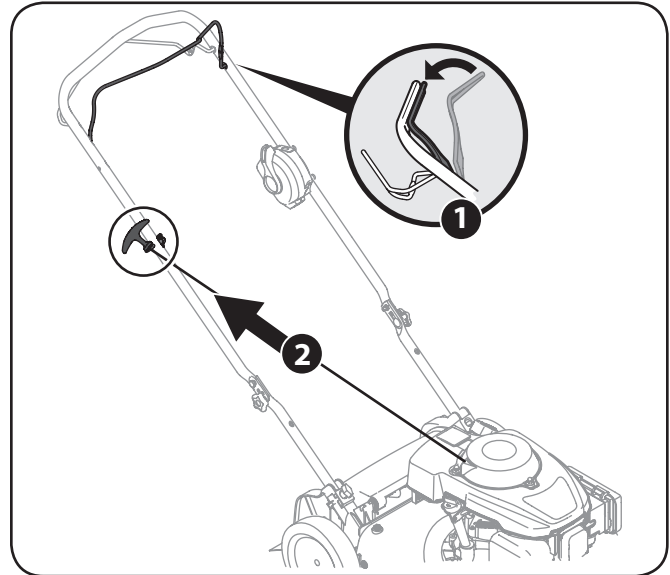


Figure 5-1

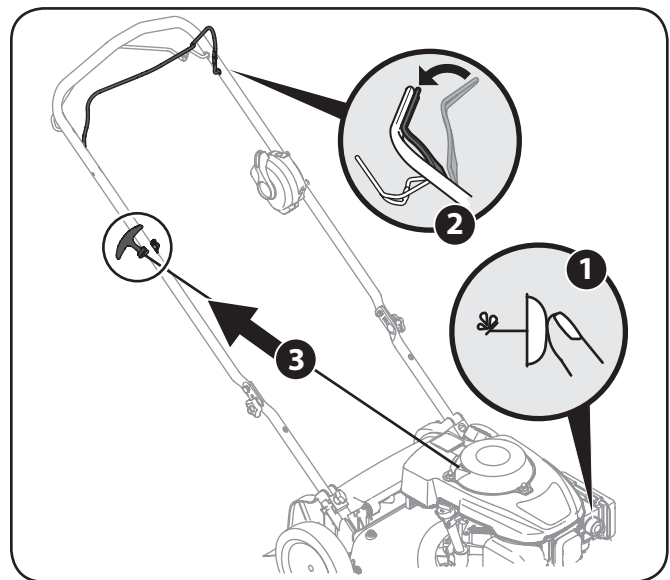


Figure 5-2



WARNING: Shut off the engine before performing any maintenance. To prevent accidental start-up, disconnect the spark plug boot.

IMPORTANT: If engine must be tipped to transport equipment or to inspect or remove grass, keep spark plug side of engine up. Transporting or tipping engine spark plug down may cause smoking, hard starting, spark plug fouling, or oil saturation of air cleaner.

Periodic inspection and adjustment of the engine is essential if high level performance is to be maintained. Regular maintenance will also ensure a long service life. The required service intervals and the kind of maintenance to be performed are described in the table below. Follow the hourly or calendar intervals, whichever occur first. More frequent service is required when operating in adverse conditions.



WARNING: If the engine has been running, the muffler will be very hot. Be careful not to touch the muffler.

Maintenance Schedule

	First 5 Hours	Each Use or Every 5 Hrs.	Every Season or 25 Hours	Every Season or 50 Hours	Every Season or 100 Hours	Service Dates
Check Engine Oil Level		✓				
Change Engine Oil ††	✓			✓		
Check Air Cleaner		✓				
Service Air Cleaner †					✓	
Service Carbon Canister Filter †					✓	
Check Spark Plug			✓			
Replace Spark Plug					✓	
Clean Engine Shroud		✓				
Clean around muffler		✓				
Replace Fuel Filter					✓	

† Service more frequently when used in dusty areas.

†† Every season or 25 hours if operating under heavy load or high ambient temperature.

Oil Service

- Check oil level regularly.
- Be sure correct oil level is maintained. Check every five hours or daily before starting engine. See oil checking procedure in the Operation section.

Oil Change

IMPORTANT: Be sure to check engine on a level surface with the engine stopped. Drain the oil while the engine is still warm to assure rapid and complete draining.

1. Remove all fuel from tank by running engine until it stops from lack of fuel.
2. Remove drain plug and allow oil to drain into a suitable container. See Figure 6-1.

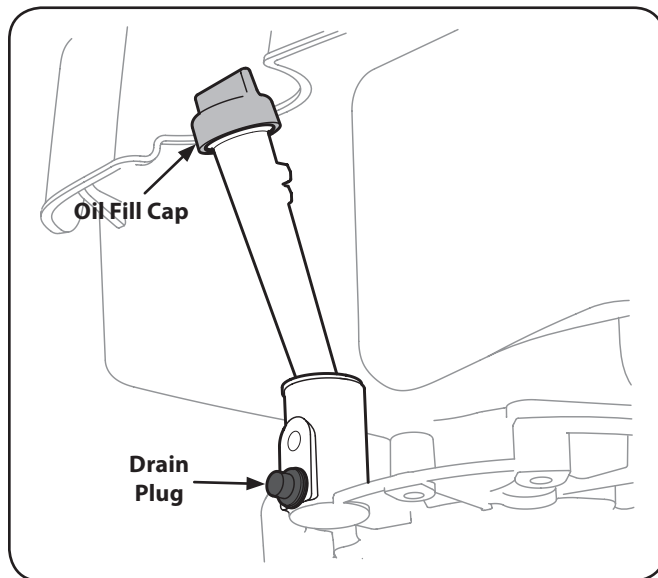


Figure 6-1



WARNING: Before tipping engine or equipment to drain oil, drain fuel from tank by running engine until fuel tank is empty.

3. Reinstall the drain plug and tighten it securely.
4. Refill with the recommended oil and check the oil level. Refer to the Set-Up section.
5. Reinstall the oil fill cap securely.

IMPORTANT: Used motor oil may cause skin cancer if repeatedly left in contact with the skin for prolonged periods. Although this is unlikely unless you handle used oil on a daily basis, it is still advisable to thoroughly wash your hands with soap and water as soon as possible after handling used oil.

NOTE: Please dispose of used motor oil in a manner that is compatible with the environment. We suggest you take it in a sealed container to your local service station for reclamation. Do not throw it in the trash or pour it on the ground.

Air Filter Service

Paper filters cannot be cleaned and must be replaced once a year or every 100 operating hours; more often if used in extremely dusty conditions.



WARNING: Never use gasoline or low flash point solvents for cleaning the air filter element. A fire or explosion could result.

IMPORTANT: Never run the engine without the air filter. Rapid engine wear will result.

1. Press down on the tabs securing the air filter cover. Pull back and remove the cover. See Figure 6-2.

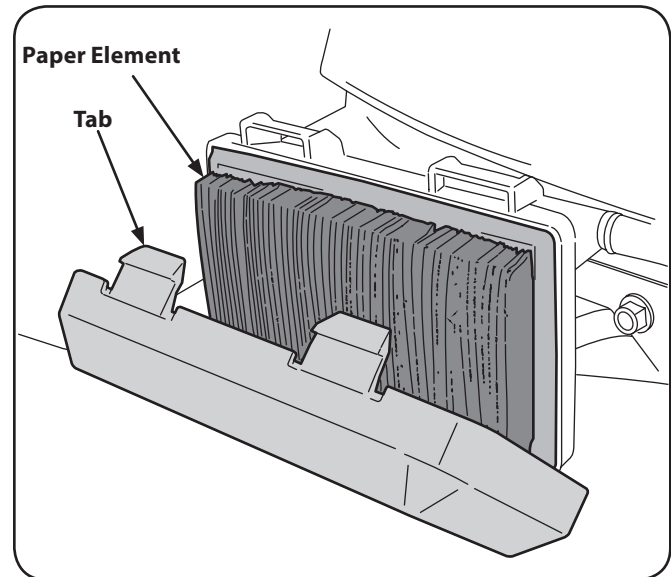


Figure 6-2

2. Remove the paper element. To loosen debris, gently tap the filter on a hard surface. If the filter is excessively dirty or damaged, replace with a new filter.
3. Insert the cover's bottom tabs into slots in bottom of base.
4. Tilt the cover up into place and secure with tabs.

Carbon Canister Filter Service

The foam carbon canister filter must be cleaned or replaced once a year or every 100 operating hours.

1. Remove outer engine shroud (if equipped) and recoil starter housing as shown in Figure 6-3.

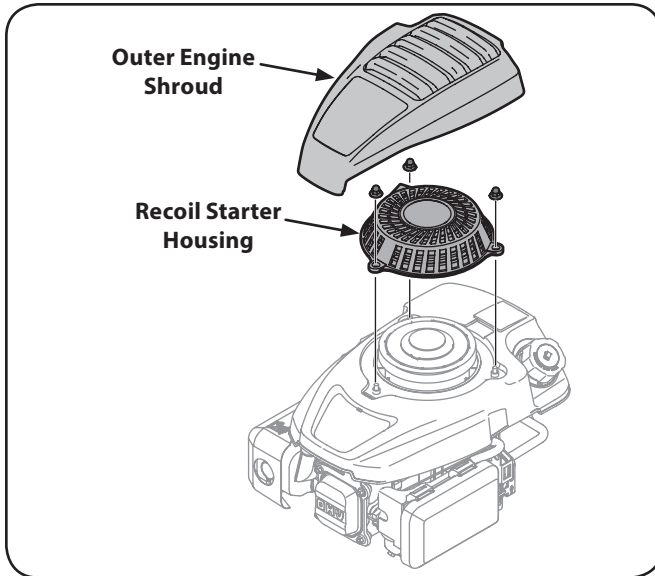


Figure 6-3

2. Lift the engine shroud and carefully pull out carbon canister filter assembly from under shroud as shown in Figure 6-4.

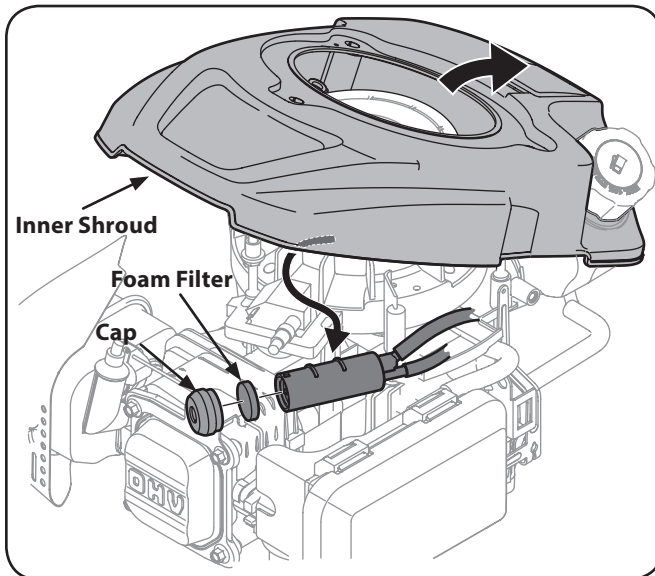


Figure 6-4

3. Remove cap from end of canister and pull out round foam filter from inside the assembly. See Figure 6-4. Clean element or replace when damaged.

4. To clean foam element, wash in mild liquid detergent and water. Squeeze or press the foam element to rinse out dirt and water. Do not twist, this could damage or tear the foam element. Allow to dry thoroughly before using. Oil the foam element with a light engine oil.
5. Carefully place foam filter back into canister assembly and reattach the rubber cap removed earlier.
6. Snap the carbon canister filter assembly back into place under the inner engine shroud. See Figure 6-5 inset.

IMPORTANT: Be sure the angled nipple points upwards into the shroud to avoid interference with the autochoke linkage.

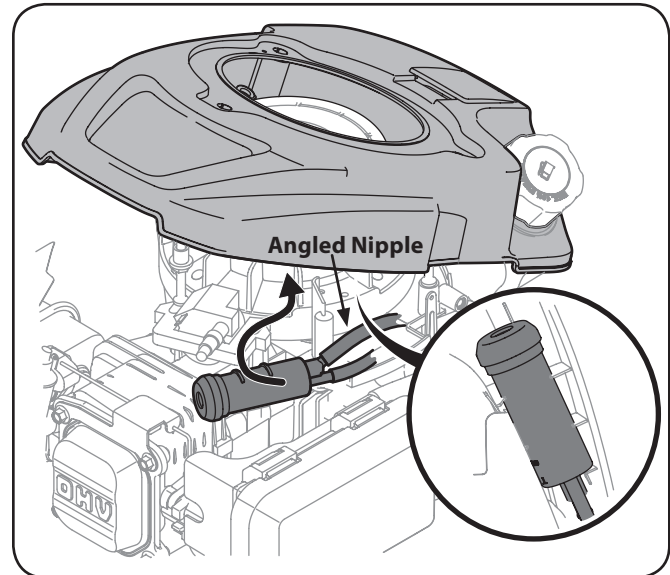


Figure 6-5

7. Place the engine shroud back onto the engine. Fasten the recoil starter housing back down and reattach the outer engine shroud.

Spark Plug Service



WARNING: DO NOT check for spark with spark plug removed. DO NOT crank engine with spark plug removed.

To ensure proper engine operation, the spark plug must be properly gapped and free of deposits.

1. Remove the spark plug boot and use a spark plug wrench to remove the plug. See Figure 6-6.

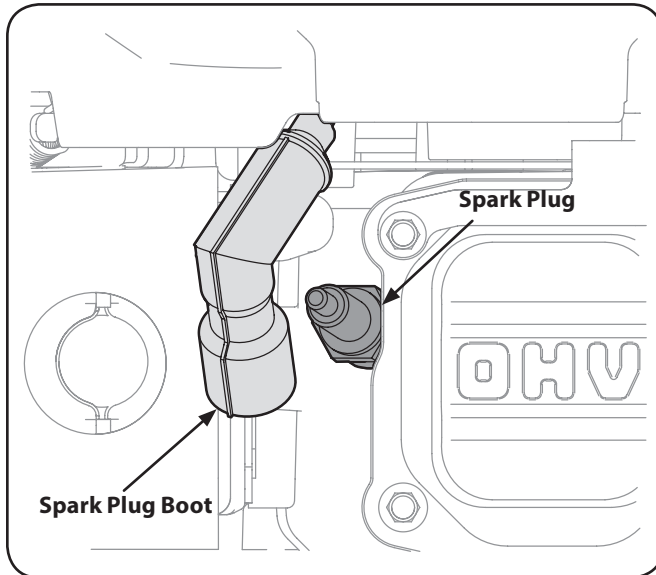


Figure 6-6



WARNING: If the engine has been running, the muffler will be very hot. Be careful not to touch the muffler.

2. Visually inspect the spark plug. Discard the spark plug if there is apparent wear, or if the insulator is cracked or chipped. Clean the spark plug with a wire brush if it is to be reused.

3. Measure the plug gap with a feeler gauge. Correct as necessary by bending side electrode. See Figure 6-7. The gap should be set to 0.030 in.

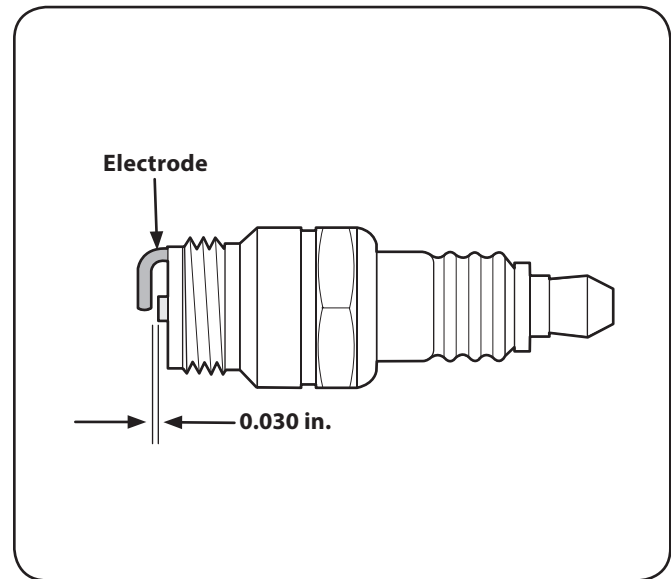


Figure 6-7

4. Check that the spark plug washer is in good condition and thread the spark plug in by hand to prevent cross-threading.
5. After the spark plug is seated, tighten with a spark plug wrench to compress the washer.

NOTE: When installing a new spark plug, tighten 1/2 turn after the spark plug seats to compress the washer. When reinstalling a used spark plug, tighten 1/8-1/4 turn after the spark plug seats to compress the washer.

IMPORTANT: The spark plug must be securely tightened. An improperly tightened spark plug can become very hot and may damage the engine.

Fuel Filter Service

The fuel filter cannot be cleaned and must be replaced once a year or every 100 operating hours; more often if run with old gasoline.

1. Remove all fuel from tank by running engine until it stops from lack of fuel.
2. Remove hose clamp from fuel line and remove fuel line from tank outlet. See Figure 6-8.

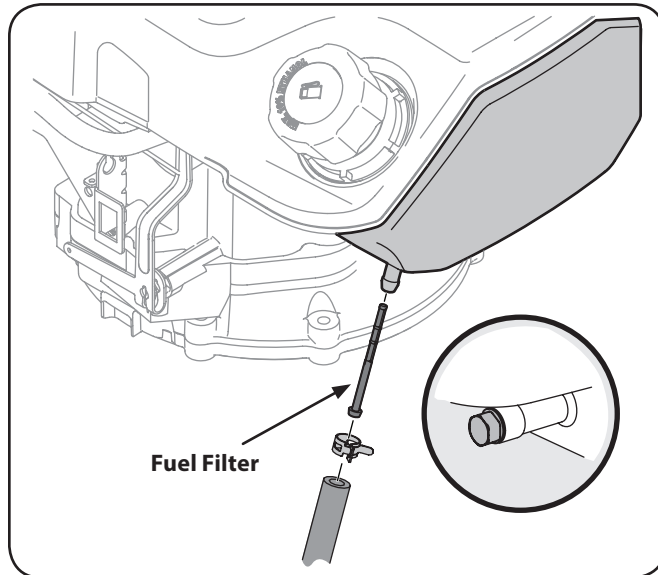


Figure 6-8

3. Pull out old fuel filter from tank outlet. Replace when dirty or damaged.
4. Grasp new fuel filter from shouldered end and insert it completely to the shoulder into the tank outlet. See Figure 6-8 inset.
5. Replace fuel line and c-clamp.

Clean Engine

If the engine has been running, allow it to cool for at least half an hour before cleaning. Periodically remove dirt build-up from engine. Clean finger guard and around muffler. Clean with a brush or compressed air.

IMPORTANT: Do not spray engine with water to clean because water could contaminate fuel. Using a garden hose or pressure washing equipment can also force water into the air cleaner or muffler opening. Water in the air cleaner will soak the paper element, and water that passes through the element or muffler can enter the cylinder, causing damage.



WARNING: Accumulation of debris around muffler could cause a fire. Inspect and clean before every use.

Storage



CAUTION: Failure to use a fuel stabilizing additive such as STA-BIL® or completely run the engine until it's out of fuel before off-season storage may result in damage to your engine's carburetor. Subsequent damage would not be covered under the manufacturer's warranty.

Gasoline that will be stored longer than 30 days needs to be pre-treated upon purchase with fuel stabilizer such as STA-BIL® to prevent gum and varnish from forming in the engine's fuel and intake system. Improper fuel storage can result in hard starting, no starting, stalling and poor performance. If the gasoline in your engine deteriorates during storage, you may need to have the carburetor, and other fuel system components, serviced or replaced.

1. Remove all fuel from tank by running engine until it stops from lack of fuel.



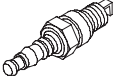
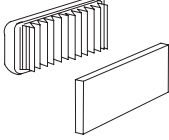


WARNING: Never leave engine unattended while running.

2. Change oil. See Oil Change section.
3. Remove spark plug and pour about 1/2 an ounce of engine oil into cylinder. Replace spark plug and crank slowly to distribute oil.
4. Clean debris from around engine, under finger guard, and under, around and behind muffler. Touch up any damaged paint, and coat other areas that may rust with a light film of oil.
5. Store in a clean, dry and well ventilated area away from any appliance that operates with a flame or pilot light, such as a furnace, water heater, or clothes dryer. Also avoid any area with a spark producing electric motor, or where power tools are operated.
6. If possible, also avoid storage areas with high humidity, because that promotes rust and corrosion.
7. Keep the engine level in storage. Tilting can cause fuel or oil leakage.

Removing From Storage

1. Check your engine as described in the Pre-Operation Check section of this manual.
2. If the fuel was drained during storage preparation, fill the tank with fresh gasoline. If you keep a container of gasoline for refueling, make certain it contains only fresh fuel. Gasoline oxidizes and deteriorates over time, causing hard starting.
3. If the cylinder was coated with oil during storage preparation, the engine will smoke briefly at startup. This is normal.

Problem	Cause	Remedy
Engine Fails to start	<ol style="list-style-type: none"> 1. Blade control disengaged. 2. Spark plug boot disconnected. 3. Fuel tank empty or stale fuel. 4. Engine not primed (if equipped with primer). 5. Faulty spark plug. 6. Blocked fuel line. 7. Engine flooded. 8. Fuel valve (if equipped) closed. 9. Engine not choked (if equipped with choke). 10. Burnt fuse. (Electric Start Only). 	<ol style="list-style-type: none"> 1. Engage blade control. 2. Connect wire to spark boot. 3. Fill tank with clean, fresh gasoline. 4. Prime engine as instructed in the Operation section. 5. Clean, adjust gap, or replace. 6. Clean fuel line. 7. Wait a few minutes to restart, but do not prime. 8. Open fuel valve. See engine manual. 9. Choke engine. See engine manual. 10. Replace fuse. (See Maintenance Section).
Engine runs erratic	<ol style="list-style-type: none"> 1. Spark plug boot loose. 2. Blocked fuel line or stale fuel. 3. Vent in gas cap plugged. 4. Water or dirt in fuel system. 5. Dirty air cleaner. 6. Unit running with CHOKE applied or in the "ON" position (if equipped). 	<ol style="list-style-type: none"> 1. Connect and tighten spark plug boot. 2. Clean fuel line; fill tank with clean, fresh gasoline. 3. Clear vent. 4. Drain fuel tank. Refill with fresh fuel. 5. Refer to engine manual. 6. Put CHOKE in the "OFF" position..
Engine overheats	<ol style="list-style-type: none"> 1. Engine oil level low. 2. Air flow restricted. 	<ol style="list-style-type: none"> 1. Fill crankcase with proper oil. 2. Clean area around and on top of engine.
Occasional skips (hesitates) at high speed	<ol style="list-style-type: none"> 1. Spark plug gap too close. 	<ol style="list-style-type: none"> 1. Adjust gap to .030". Refer to engine manual.
Idles poorly	<ol style="list-style-type: none"> 1. Spark plug fouled, faulty, or gap too wide. 2. Dirty air cleaner. 	<ol style="list-style-type: none"> 1. Reset gap to .030" or replace spark plug. 2. Refer to engine manual.

Component	Part Number and Description
	951-14437 Spark Plug
	951-10298 Air Cleaner Kit (Square)
	951-14407 Fuel Cap Assembly
	951-10358A Fuel Filter

NOTE: Download a complete Parts Manual, refer to customer support on page 2. Be sure to have your model number and serial number ready. Refer to page 2 for more information regarding locating your model and serial numbers.

FEDERAL and/or CALIFORNIA EMISSION CONTROL WARRANTY STATEMENT YOUR WARRANTY RIGHTS AND OBLIGATIONS

MTD Consumer Group Inc, the United States Environmental Protection Agency (EPA), and for those products certified for sale in the state of California, the California Air Resources Board (CARB) are pleased to explain the emission control system (ECS) warranty on your 2014-2015 small off-road spark-ignited engine and equipment (outdoor equipment). In California, new outdoor equipment must be designed, built and equipped to meet the State's stringent anti-smog standards (in other states, outdoor equipment must be designed, built, and equipped to meet the U.S. EPA small off-road spark ignition engine regulations). MTD Consumer Group Inc must warrant the ECS on your outdoor equipment for the period of time listed below, provided there has been no abuse, neglect, or improper maintenance of the outdoor equipment.

Your ECS may include parts such as the carburetor, fuel-injection system, ignition system, catalytic converter, fuel tanks, fuel lines, fuel caps, valves, canisters, filters, vapor hoses, clamps, connectors, and other associated emission-related components.

Where a warrantable condition exists, MTD Consumer Group Inc will repair your outdoor equipment at no cost to you including diagnosis, parts, and labor.

MANUFACTURER'S WARRANTY COVERAGE:

This emission control system is warranted for two years. If any emission-related part on your outdoor equipment is defective, the part will be repaired or replaced by MTD Consumer Group Inc.

OWNER'S WARRANTY RESPONSIBILITIES:

As the outdoor equipment owner, you are responsible for performance of the required maintenance listed in your owner's manual. MTD Consumer Group Inc recommends that you retain all receipts covering maintenance on your outdoor equipment, but MTD Consumer Group Inc cannot deny warranty solely for the lack of receipts.

As the outdoor equipment owner, you should however be aware that MTD Consumer Group Inc may deny you warranty coverage if your outdoor equipment or a part has failed due to abuse, neglect, improper maintenance, or unapproved modifications.

You are responsible for presenting your outdoor equipment engine to MTD Consumer Group Inc's distribution center or service center as soon as the problem exists. The warranty repairs should be completed in a reasonable amount of time, not to exceed 30 days. If you have a question regarding your warranty coverage, you should contact the MTD Consumer Group Inc Service Department.

In the U.S.A.: at 1-800-800-7310 or at <http://support.mtdproducts.com>.

In Canada: at 1-800-668-1238 or at <http://www.mtdcanada.com>

GENERAL EMISSIONS WARRANTY COVERAGE:

MTD Consumer Group Inc warrants to the ultimate purchaser and each subsequent purchaser that the outdoor equipment is: (1) designed, built, and equipped so as to conform with all applicable regulations; and (2) free from defects in materials and workmanship that cause the failure of a warranted part for a period of two years.

The warranty period begins on the date the outdoor equipment is delivered to an ultimate purchaser or first placed into service.

Subject to certain conditions and exclusions as stated below, the warranty on emission-related parts is as follows:

1. Any warranted part that is not scheduled for replacement as required maintenance in the written instructions supplied is warranted for the warranty period stated above. If the part fails during the period of warranty coverage, the part will be repaired or replaced by MTD Consumer Group Inc according to subsection (4) below. Any such part repaired or replaced under warranty will be warranted for the remainder of the period.
2. Any warranted part that is scheduled only for regular inspection in the written instructions supplied is warranted for the warranty period stated above. Any such part repaired or replaced under warranty will be warranted for the remaining warranty period.
3. Any warranted part that is scheduled for replacement as required maintenance in the written instructions supplied is warranted for the period of time before the first scheduled replacement date for that part. If the part fails before the first scheduled replacement, the part will be repaired or replaced by MTD Consumer Group Inc according to subsection (4) below. Any such part repaired or replaced under warranty will be warranted for the remainder of the period prior to the first scheduled replacement point for the part.
4. Repair or replacement of any warranted part under the warranty provisions herein must be performed at a warranty station at no charge to the owner.
5. Notwithstanding the provisions herein, warranty services or repairs will be provided at all of our distribution centers that are franchised to service the subject engines or equipment.
6. The outdoor equipment owner will not be charged for diagnostic labor that is directly associated with diagnosis of a defective, emission-related warranted part, provided that such diagnostic work is performed at a warranty station.
7. MTD Consumer Group Inc is liable for damages to other engine or equipment components proximately caused by a failure under warranty of any warranted part.
8. Throughout the off-road engine and equipment warranty period stated above, MTD Consumer Group Inc will maintain a supply of warranted parts sufficient to meet the expected demand for such parts.

9. Any replacement part may be used in the performance of any warranty maintenance or repairs and must be provided without charge to the owner. Such use will not reduce the warranty obligations of MTD Consumer Group Inc.
10. Add-on or modified parts that are not exempted by the Air Resources Board may not be used. The use of any non-exempted add-on or modified parts by the ultimate purchaser will be grounds for disallowing a warranty claim. MTD Consumer Group Inc will not be liable to warrant failures of warranted parts caused by the use of a non-exempted add-on or modified part.

WARRANTED PARTS:

The repair or replacement of any warranted part otherwise eligible for warranty coverage may be excluded from such warranty coverage if MTD Consumer Group Inc demonstrates that the outdoor equipment has been abused, neglected, or improperly maintained, and that such abuse, neglect, or improper maintenance was the direct cause of the need for repair or replacement of the part. That notwithstanding, any adjustment of a component that has a factory installed, and properly operating, adjustment limiting device is still eligible for warranty coverage. Further, the coverage under this warranty extends only to parts that were present on the off-road equipment purchased.

The following emission warranty parts are covered (if applicable):

1. Fuel Metering System
 - Cold start enrichment system (soft choke)
 - Carburetor and internal parts (or fuel injection system)
 - Fuel pump
 - Fuel tank
2. Air Induction System
 - Air cleaner
 - Intake manifold
3. Ignition System
 - Spark plug(s)
 - Magneto ignition system
4. Exhaust System
 - Catalytic converter
 - SAI (Reed valve)
5. Miscellaneous Items Used in Above System
 - Vacuum, temperature, position, time sensitive valves and switches
 - Connectors and assemblies
6. Evaporative Control
 - Fuel hose
 - Fuel hose clamps
 - Tethered fuel cap
 - Carbon canister
 - Vapor lines

NOTE: If you require warranty service in Canada and your product was sold by MTD Products Limited within Canada to the retailer you purchased it from in Canada then the MTD Consumer Group Inc portion of this warranty will be honored by MTD Products Limited in Canada.

050792

9. Toute pièce de remplacement peut être utilisée pour l'entretien ou la réparation sous garantie et doit être fournie gratuitement au propriétaire. Ceci ne limite pas les obligations de garantie de MTD Consumer Group Inc.

10. Les pièces complémentaires ou modifiées qui ne sont pas exemptées par le « Air Resources Board » ne peuvent toutefois pas être utilisées. L'emploi de toute pièce complémentaire ou modifiée non exemptée sera suffisant pour rejeter une demande d'application de la garantie en vertu de cet article. MTD Consumer Group Inc ne sera pas tenue, en vertu de cet article, de garantir les pièces garanties si leur défaut-lance a été causée par l'utilisation d'une pièce complémentaire ou modifiée non exemptée.

PIÈCES GARANTIES

La réparation ou le remplacement de toute pièce garantie, admissible à la garantie, peut être exclus(e) de celle-ci si MTD Consumer Group Inc peut prouver que l'équipement motorisé a fait l'objet d'abus, de négligence, d'un entretien incorrect ou si cet abus, cette négligence ou l'entretien incorrect a été causé(e) de façon directe, par la réparation ou le remplacement de la pièce. Nonobstant cette situation, tout ajustement d'une pièce équipée d'un dispositif de limitation correctement installé et en bon état de fonctionnement, demeure admissible à la garantie. De plus, cette garantie se prolonge seulement aux pièces qui étaient présentes sur le moteur hors route et sur l'équipement acheté

(1) Système de dosage du carburant

• Système d'enrichissement du carburant pour démarrages à froid

• Carburateur et pièces internes (ou le système d'injection)

• Pompe à carburant

• Réservoir à carburant

(2) Système d'admission de l'air

• Filtre à air

• Tubulure d'admission

(3) Système d'allumage

• Bougie(s)

• Système d'allumage à magnéto

(4) Système d'échappement

• Pot catalytique

• Soupape d'injection d'air secondaire puisé (Soupape Reed)

(5) Divers articles utilisés dans le système ci-dessus

• Soupapes de dépression, thermocontacts, soupapes de positionnement et à action minutée et interrupteurs

• Raccords et ensembles

(6) Système d'évaporation

• Canalisations d'essence

• Colliers pour canalisations d'essence

• Bouchon d'essence attaché

• Cartouche à charbon actif

• Canalisations pour les vapeurs

REMARQUE: MTD Products Limited honorerà la portion de cette garantie offerte par MTD Consumer Group Inc. si vous avez besoin d'un service couvert par la garantie au Canada et si votre produit a été vendu par MTD Products Limited au Canada au concessionnaire chez lequel vous l'avez acheté au Canada.

Déclaration de garantie du système antipollution en Californie Droits et obligations du propriétaire en vertu de la garantie

C'est avec plaisir que California Air Resources Board (CARB), la United States Environmental Protection Agency et MTD Consumer Group Inc. présentent la garantie du système antipollution installé sur vos moteurs à allumage par étincelles et équipé conformément aux normes route construits en 2014-2015. En Californie, l'équipement hors route neuf doit être conçu, construit et équipé conformément aux normes antipollution strictes de l'état. (Allieurs aux États-Unis, l'équipement hors route neuf à allumage par étincelles doit respecter des normes similaires établies par U. S. EPA). MTD Consumer Group Inc. doit garantir le système antipollution de votre équipement raccords et autres pièces annexes du système antipollution.

Le système antipollution peut inclure les pièces suivantes : carburateur, système d'injection du carburant, système d'allumage, pot catalytique, réservoirs, canalisations et bouillons d'essence, soupapes, cartouches absorbantes des vapeurs d'essence, filtres, canalisations, colliers, MTD Consumer Group Inc s'engage à réparer gratuitement votre machine, y compris les frais de diagnostic, les pièces et la main d'œuvre, en cas de problème couvert par la garantie.

GARANTIE DU FABRICANT

Le système antipollution est garanti pour une période de deux ans. Toute pièce annexe du système antipollution jugée défectueuse sera réparée ou remplacée par MTD Consumer Group Inc.

RESPONSABILITÉS DU PROPRIÉTAIRE

Le propriétaire de l'équipement motorisé est tenu de respecter le calendrier des entretiens requis énoncés dans la notice d'utilisation. MTD Consumer Group Inc recommande de conserver tous les reçus se rapportant à l'entretien de l'équipement motorisé. Toutefois, MTD Consumer Group Inc ne peut pas refuser les réclamations sous garantie uniquement à cause de l'absence de reçus.

Le propriétaire de l'équipement motorisé doit toujours savoir que MTD Consumer Group Inc peut refuser la garantie l'équipement motorisé ou l'une quelconque de ses pièces à fait l'objet d'abus, de négligence, d'un entretien incorrect ou de modifications non approuvées. Le propriétaire est tenu de présenter l'équipement motorisé à une station technique agréée dès l'apparition d'un problème. Les réparations sous garantie devraient être effectuées dans un délai raisonnable ne dépassant pas 30 jours. Pour toute question concernant vos droits et responsabilités en vertu de cette garantie, adressez-vous au Services technique de MTD Consumer Group Inc.

Aux États-Unis : appelez le 1-800-800-7310 ou visitez <http://support.mtdproducts.com>.

Au Canada : appelez le 1-800-668-1238 ou visitez <http://www.mtdcanada.com>

PROTECTION OFFERTE PAR LA GARANTIE CONCERNANT LES ÉMISSIONS

MTD Consumer Group Inc. garantit à l'acheteur au détail initial et à chaque acheteur successif (1) que la machine a été conçue, construite et équipée conformément à tous les règlements applicables ; et (2) qu'elle est exempte de tout vice de matière et de fabrication susceptible de causer la défaillance d'une pièce garantie pour une période de deux ans.

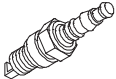
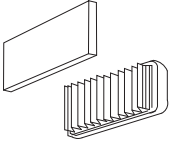


La période de garantie commence le jour où la machine est livrée à l'acheteur au détail initial ou à sa mise en service initiale.

Sous réserve des conditions et exclusions ci-dessous, la garantie des pièces du système antipollution sera interprétée comme suit :

1. Toute pièce garantie, pour laquelle les instructions écrites fournies ne prévoient pas le remplacement dans le calendrier des entretiens requis, est garantie pour la période de garantie spécifiée ci-dessus. Si une telle pièce tombe en panne pendant la période de garantie, elle sera réparée ou remplacée par MTD Consumer Group Inc conformément au paragraphe (4) ci-dessous. Toute pièce réparée ou remplacée en vertu de la garantie est garantie pour le solde de la période de garantie.
2. Toute pièce garantie, pour laquelle les instructions écrites prévoient seulement une inspection régulière, est garantie pour la période de garantie spécifiée dans le paragraphe ci-dessus. Toute pièce réparée ou remplacée en vertu de la garantie est garantie pour la période de la période de garantie.
3. Toute pièce garantie, pour laquelle les instructions prévoient le remplacement dans le cadre d'un entretien requis, est garantie pour la période précédant le premier remplacement prévu. Si la pièce tombe en panne avant le premier intervalle de remplacement prévu, la pièce sera réparée ou remplacée par MTD Consumer Group Inc conformément au paragraphe (4) ci-dessous. Toute pièce réparée ou remplacée sous garantie est garantie pour le solde de la période de garantie avant le premier intervalle de remplacement prévu de la pièce.
4. La réparation ou le remplacement de toute pièce garantie en vertu de la garantie énoncée dans cet article doit être effectuée(e) par une station technique agréée, sans frais pour le propriétaire.
5. Nonobstant les termes énoncés, les services ou réparations sous garantie doivent être effectués dans tous les centres de distribution/concessionnaires MTD Consumer Group Inc autorisés à entretenir les moteurs ou l'équipement en question.
6. Les diagnostics permettant d'établir qu'une pièce garantie est défectueuse doivent être effectués sans frais pour le propriétaire de l'équipement motorisé, à condition d'être réalisés par une station technique autorisée à offrir les services sous garantie.
7. MTD Consumer Group Inc est tenue responsable des dégâts aux autres pièces du moteur ou de l'équipement susceptibles d'avoir été causés par la panne sous garantie d'une pièce garantie.
8. MTD Consumer Group Inc s'engage à conserver un stock de pièces garanties suffisant pour satisfaire la demande prévue pour ces pièces pendant la période de garantie de la machine stipulée ci-dessus.

Pièces de rechange

8

Pièce	No. de pièce et description
	951-14437 Bougie
	951-10298 Filtre à air (carre)
	951-14407 Bouchon d'essence
	951-10358A Filtre à carburant

REMARQUE : Vous pouvez télécharger un livret contenant la liste complète des pièces détachées. Adressez-vous au Service après-vente à la page 2. Soyez prêt à fournir les numéros de modèle et de série de votre machine ou voir les renseignements à la page 2 quant à leur emplacement.

Problème	Cause	Solution
Le moteur ne démarre pas.	<ol style="list-style-type: none"> 1. La poignée de commande de la lame n'est pas embrayée. 2. Fil de la bougie débranché. 3. Le réservoir est vide ou l'essence est éventée. 4. Moteur non amorcé. 5. La bougie est défectueuse. 6. Canalisation de carburant bouchée. 7. Le moteur est noyé. 8. La soupape de carburant (le cas échéant) est fermée. 9. Le volet de départ (le cas échéant) n'a pas été utilisé. 10. Un fusible a sauté (Démarrage électrique seulement). 	<ol style="list-style-type: none"> 1. Embrayez la commande de la lame. 2. Branchez le fil à la bougie. 3. Faites le plein avec une essence propre et fraîche. 4. Consultez la notice d'utilisation du moteur. 5. Nettoyez, réglez l'écartement ou remplacez la bougie. 6. Nettoyez la canalisation. 7. Attendez quelques minutes avant d'essayer de faire démarrer le moteur sans l'amorcer. 8. Ouvrez la soupape de carburant. Voir la notice d'utilisation du moteur. 9. Utilisez le volet de départ. Voir la notice d'utilisation du moteur. 10. Remplacez le fusible (Voir le chapitre « Entretien ».)
Le moteur tourne irrégulièrement.	<ol style="list-style-type: none"> 1. Fil de la bougie desserré. 2. La canalisation de carburant est bouchée ou l'essence est éventée. 3. L'évent du capuchon du réservoir est bouché. 4. De l'eau ou une saleté est présente dans le système. 5. Le filtre à air est sale. 6. Le volet de départ est fermé ou à la position « ON » (le cas échéant). 	<ol style="list-style-type: none"> 1. Branchez et serrez le fil de la bougie. 2. Nettoyez la canalisation. Faites le plein avec une essence propre et fraîche. 3. Débouchez l'évent. 4. Videz le réservoir à carburant. Faites le plein avec une essence fraîche. 5. Consultez la notice d'utilisation du moteur. 6. Placez le volet de départ à la position « OFF ».
Le moteur tourne irrégulièrement.	<ol style="list-style-type: none"> 1. Niveau d'huile trop bas. 2. La circulation d'air est gênée. 	<ol style="list-style-type: none"> 1. Faites le plein d'huile du carter. 2. Démontez l'habitacle du ventilateur et nettoyez-le.
Le moteur hésite parfois à régime élevé.	<ol style="list-style-type: none"> 1. L'écartement de la bougie est trop petit. 	<ol style="list-style-type: none"> 1. Réglez l'écartement à 0,030 po. Consultez la notice d'utilisation du moteur.
Le moteur tourne irrégulièrement.	<ol style="list-style-type: none"> 1. La bougie est sale, défectueuse ou l'écartement est trop grand. 2. Le filtre à air est sale. 	<ol style="list-style-type: none"> 1. Réglez l'écartement à 0,030 po ou remplacez la bougie. Consultez la notice d'utilisation du moteur. 2. Consultez la notice d'utilisation du moteur.

Entretien du filtre à carburant

Le filtre à carburant ne peut pas être nettoyé et il doit être remplacé une fois par an ou toutes les 100 heures de fonctionnement, plus souvent si l'essence est vieille.

1. Videz complètement le réservoir de carburant en laissant tourner le moteur jusqu'à ce qu'il tombe en panne d'essence.

2. Enlevez la bride en C de la canalisation de carburant et débranchez celle-ci du réservoir de carburant. Voir la Fig. 6-8.

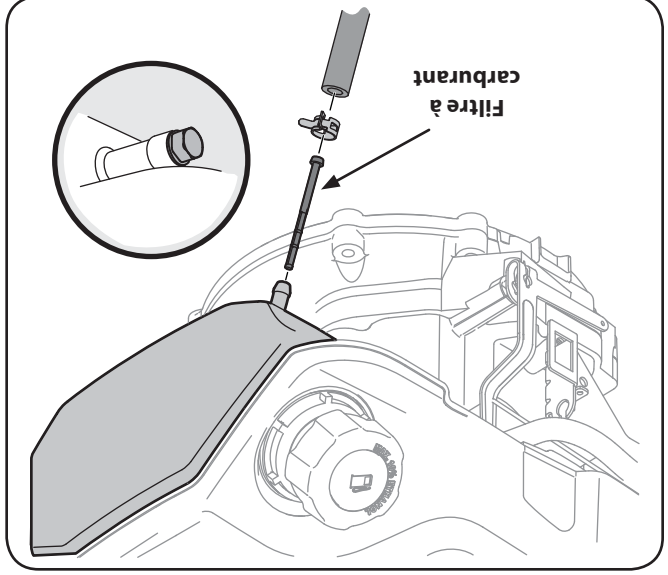


Figure 6-8

3. Dégagez le filtre usagé du réservoir de carburant. Remplacez-le s'il est sale ou endommagé.

4. Tenez le filtre neuf par l'extrémité à épaulement et insérez-le complètement dans l'orifice du réservoir de carburant. Voir l'encadré de la Fig. 6-7.

5. Remettez la canalisation de carburant et la bride en C en place.

Nettoyage du moteur

Si le moteur a fonctionné, laissez-le refroidir pendant au moins une demi-heure avant de le nettoyer. Éliminez souvent les débris accumulés sous le moteur. Nettoyez le dispositif de protection et les alentours du silencieux avec une brosse ou de l'air comprimé. **IMPORTANT** : Ne nettoyez pas le moteur avec un jet d'eau qui risque de contaminer l'essence. L'emploi d'un tuyau d'arrosage ou d'un équipement de lavage sous pression peut aussi forcer l'eau dans le filtre à air ou dans l'ouverture du silencieux, la faire pénétrer dans le cylindre et endommager le moteur.

AVERTISSEMENT : L'accumulation de débris autour du silencieux peut causer un incendie. Examinez et nettoyez avant chaque emploi de la tondeuse.



- ### Remisage
- ATTENTION** : Le carburateur peut être endommagé si un agent de stabilisation du carburant, comme STA-BIL, n'a pas été utilisé ou si le réservoir n'a pas été complètement vidé en laissant tourner le moteur jusqu'à panne d'essence avant l'entreposage hors saison. Ces dégâts ne seront pas couverts par la garantie du fabricant.
- Toute essence remise plus de 30 jours doit être traitée à l'achat avec un agent de stabilisation du carburant, comme STA-BIL, pour empêcher toute détérioration et toute formation de gomme dans l'essence et dans le système d'alimentation. Le remisage incorrect de l'essence peut causer un démarrage difficile ou impossible, de mauvaises performances ou faire caler le moteur. Si l'essence dans le moteur se détériore pendant le remisage, il sera peut-être nécessaire de faire examiner, et même remplacer, le carburateur et les autres pièces par une station technique.
1. Videz le carburant du réservoir en laissant tourner le moteur jusqu'à ce qu'il tombe en panne d'essence.
- AVERTISSEMENT** : Ne laissez jamais un moteur en marche sans surveillance.



2. Changez l'huile. Voir la section « Vidange d'huile » plus haut dans ce chapitre.
3. Retirez la bougie et versez environ 15 ml d'huile à moteur dans le cylindre. Remplacez la bougie et faites tourner le moteur lentement pour bien répartir l'huile.
4. Retirez les débris d'herbe et autres qui se trouvent autour du moteur, sous le dispositif de protection, aux alentours du silencieux. Retouchez toute écaille de peinture et recouvrez les parties susceptibles de rouiller avec une légère couche d'huile.
5. Remisez la tondeuse dans un local propre, sec et bien aéré, loin de tout appareil à veilleuse ou flamme nue (calorifère, chauffe-eau ou sèche-linge). Évitez tout endroit où un moteur électrique ou des outils électriques pouvant produire des étincelles sont utilisés.
6. Dans la mesure du possible, évitez de remisier la tondeuse dans un local très humide qui encouragera la rouille et la corrosion.
7. Placez le moteur sur une surface plane car toute inclinaison risque de causer une fuite d'huile ou d'essence.

Remise en service

1. Vérifiez le moteur en suivant les instructions dans le chapitre « Vérification initiale » dans cette notice d'utilisation.
2. Si le carburant a été vidé avant de remisier la tondeuse, faites le plein avec de l'essence fraîche. Vérifiez que l'essence dans tout contenant est propre et fraîche. L'essence a tendance à s'oxyder et à se détériorer, ce qui causera des démarrages difficiles.
3. Si le cylindre a été enduit d'huile pour le remisage, le moteur dégagera de la fumée à la mise en route. C'est tout à fait normal.

Entretien de la bougie



AVERTISSEMENT : Ne vérifiez pas le fonctionnement de la bougie si celle-ci est débranchée. Ne faites pas tourner le moteur si la bougie n'est pas installée.

Pour assurer le bon fonctionnement du moteur, l'écartement de la bougie doit être correct et la bougie ne doit pas être encrassée.

1. Dégagez la gaine de la bougie et utilisez une clé à bougie pour la démonter. Voir la Fig. 6-6.

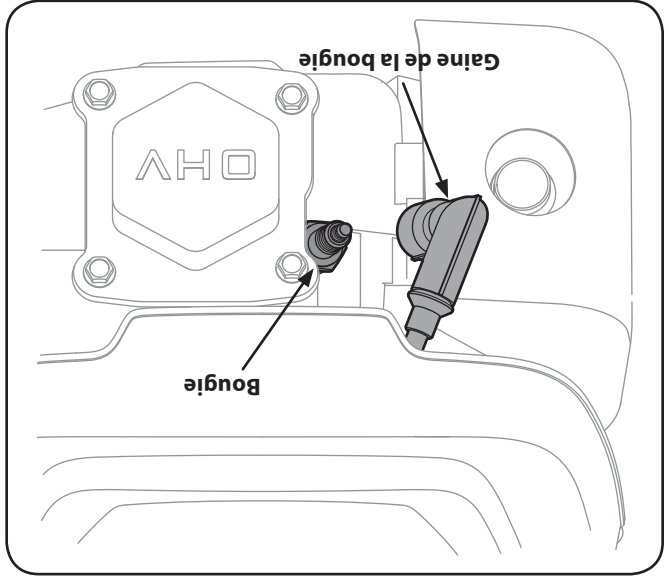


Figure 6-6



AVERTISSEMENT : Le silencieux sera chaud si le moteur vient d'être arrêté. Faites très attention de ne pas le toucher.

2. Examinez attentivement la bougie. Jetez-la si elle paraît usée ou si l'isolateur est fendu ou écaillé. Nettoyez la bougie avec une brosse à bougie si vous voulez l'utiliser à nouveau.

- 4.
- 5.

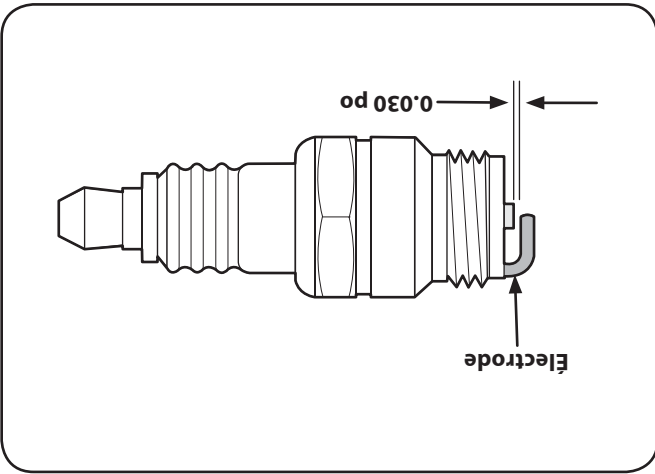
4. Vérifiez que la rondelle de la bougie est en bon état et filetez la bougie à la main pour éviter de déformer les filets.

5. Quand la bougie est bien installée, serrez-la avec une clé à bougie pour comprimer la rondelle.

REMARQUE : Serrez la bougie neuve en lui donnant un demi-tour quand elle est bien en place, pour comprimer la rondelle. Si la bougie est usagée, faites de 1/8e à 1/4 de tour quand la bougie est bien en place, pour comprimer la rondelle.

IMPORTANT : La bougie doit être serrée à fond. Une bougie mal serrée peut chauffer excessivement et endommager le moteur.

Figure 6-7

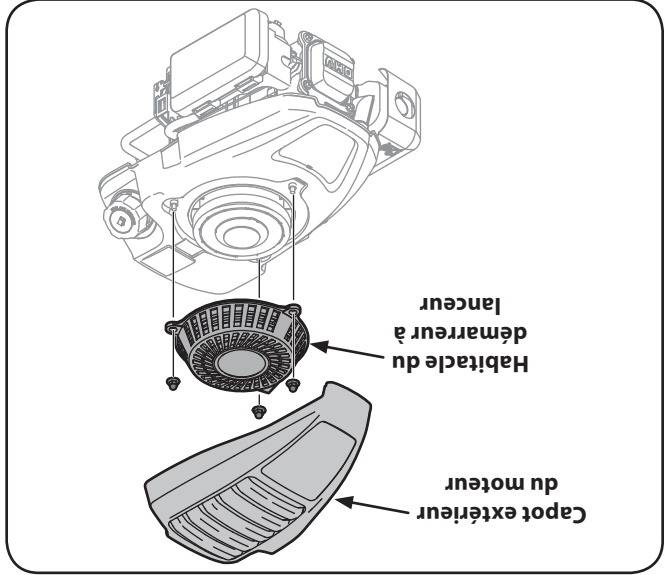


3. Mesurez l'écartement de la bougie avec une jauge d'écartement. Ajustez au besoin en pliant l'électrode de côté. Voir la Fig. 6-7. L'écartement doit mesurer 0,030 po.

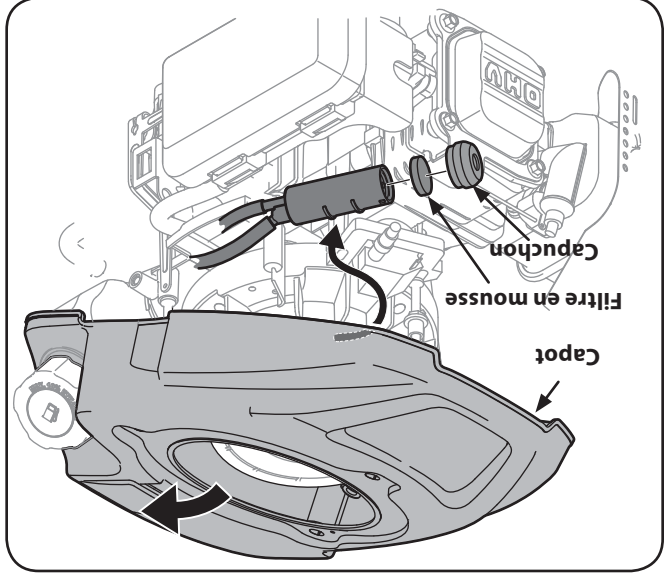
Entretien du filtre à cartouche de carbone

Le filtre à cartouche de carbone en mousse doit être nettoyé ou remplacé une fois par an ou toutes les 100 heures de fonctionnement.

1. Démontez le capot extérieur (le cas échéant) du moteur et l'habitacle du démarreur à lanceur, comme à la Figure 6-3.



2. Soulevez le capot du moteur et dégagez doucement la cartouche de carbone, comme à la Figure 6-4.



3. Enlevez le capuchon qui se trouve sur l'extrémité de la cartouche et sortez le filtre en mousse rond de l'intérieur.

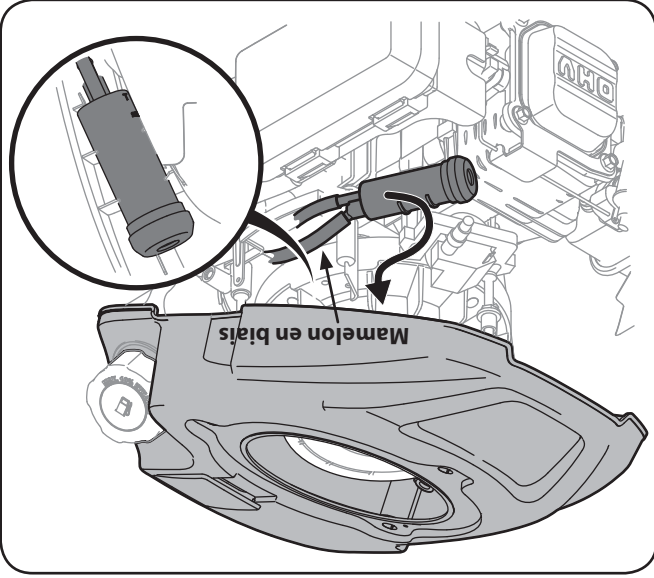
Voir la Figure 6-4. Nettoyez le filtre ou remplacez-le s'il est endommagé.

Figure 6-4

7.

Important : Assurez-vous que le mamelon en biais est orienté vers le haut (vers le capot) pour qu'il ne gêne pas le fonctionnement de la bielle du volet de départ automatique.
 Remontez le capot du moteur sur le moteur. Remontez l'habitacle du démarreur à lanceur, puis installez à nouveau le capot extérieur du moteur.

Figure 6-5



6. Remontez la cartouche en position sous le capot intérieur du moteur. Voir la Figure 6-5.

place.
 Remontez soigneusement le filtre en mousse dans la cartouche et remettez le capuchon en caoutchouc en

la cartouche avec une huile à moteur légère.

4. Pour nettoyer le filtre en mousse, lavez-le avec un détergent liquide doux et de l'eau. Pressez la cartouche en mousse pour éliminer la saleté et l'eau. Ne tordez pas le filtre car ceci pourrait l'endommager ou le déchirer. Laissez-le sécher complètement avant de l'utiliser à nouveau. Huilez la cartouche avant de l'utiliser à nouveau. Huilez

Entretien du filtre à air

Les filtres en papier ne peuvent pas être nettoyés et ils doivent être remplacés une fois par an toutes les 100 heures de fonctionnement, plus souvent dans des conditions très poussiéreuses.

AVERTISSEMENT : N'utilisez jamais d'essence ou des solvants à point d'éclair bas pour nettoyer la cartouche. Un incendie ou une explosion peut survenir.



IMPORTANT : Ne faites jamais fonctionner le moteur si le filtre à air n'est pas en place, car cela causera l'usure très rapide du moteur.

1. Pressez sur les pattes qui maintiennent le couvercle du filtre à air. Tirez sur le couvercle et enlevez-le. Voir la Figure 6-2.

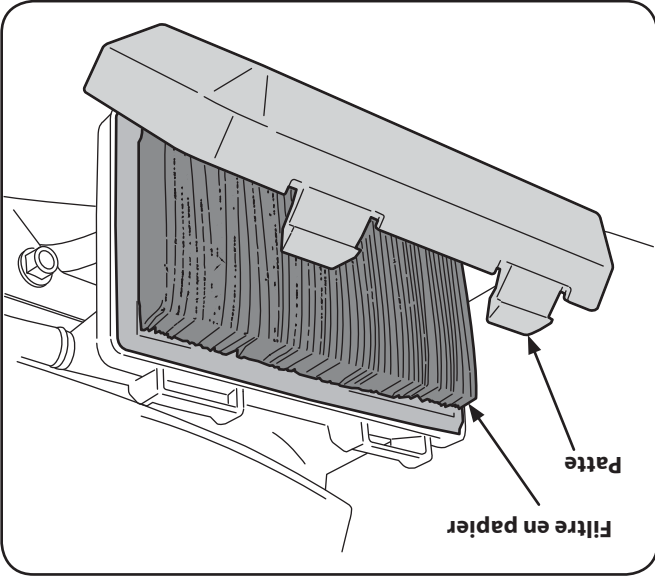


Figure 6-2

2. Dégagez le filtre en papier. Pour supprimer les débris, frappez doucement le filtre sur une surface rigide. Si le filtre est vraiment très sale ou s'il est endommagé, installez un filtre en papier neuf.

3. Insérez les pattes inférieures dans les fentes de la base. Inclinez le couvercle pour le remettre en place et le maintenir avec les pattes.

4. Consultez le chapitre « Montage ».

Vidange de l'huile

- Vérifiez souvent le niveau d'huile.
- Assurez-vous de maintenir l'huile au niveau correct. Vérifiez toutes les 5 heures ou chaque jour avant de mettre le moteur en marche. Lisez les instructions concernant la vérification du niveau d'huile dans le chapitre « Utilisation ».

Vidange de l'huile

IMPORTANT : Vérifiez le moteur à l'arrêt quand l'équipement est sur une surface plane. Videz l'huile pendant que le moteur est encore chaud pour que l'huile coule plus facilement.

1. Laissez le moteur tourner jusqu'à ce qu'il tombe en panne d'essence. N'essayez pas de verser l'essence du moteur.

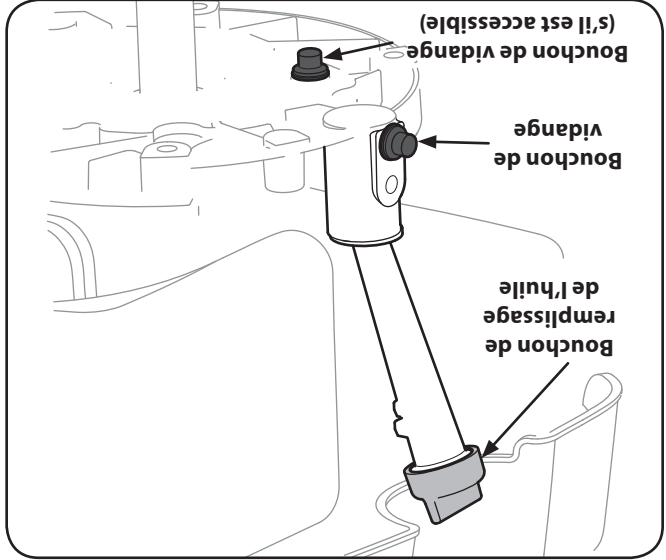


Figure 6-1

2. Retirez le bouchon de vidange. Laissez l'huile couler dans un récipient approprié. Voir la Fig. 6-1.



AVERTISSEMENT : Avant d'incliner le moteur ou l'équipement pour vider l'huile, videz le réservoir en laissant le moteur tourner jusqu'à ce qu'il tombe en panne d'essence.

3. Remplacez le bouchon de l'orifice de vidange et serrez-le à fond.

4. Faites le plein avec l'huile recommandée (voir le chapitre (Utilisation) et vérifiez le niveau d'huile. Voir la Fig. 6-2.

5. Resserrez le bouchon de remplissage de l'huile.

IMPORTANT : L'huile à moteur usagée peut causer le cancer de la peau en cas de contact répété et prolongé avec la peau. Ceci l'huile, il est toutefois recommandé de se laver les mains avec de l'eau et du savon dès que possible après tout contact.

REMARQUE : Veuillez disposer de l'huile usagée selon les règlements protégeant l'environnement. Nous vous conseillons de remettre l'huile usagée, dans un contenant fermé, à une station service qui pourra la recycler. Ne la jetez pas dans les ordures et ne la déversez pas sur le sol.

Entretien

6



AVERTISSEMENT: Arrêtez le moteur avant d'effectuer tout entretien. Pour éviter un démarrage accidentel, débranchez la gaine de la bougie.



Une inspection et des réglages périodiques du moteur sont essentiels pour obtenir des performances optimales. L'entretien régulier du moteur garantira également sa longue durée de vie. Les intervalles d'entretien recommandés et les opérations à effectuer sont répertoriés dans le tableau ci-dessous. Respectez les intervalles horaires ou autres, selon ce qui survient d'abord. Des intervalles plus courts sont nécessaires en cas d'utilisation **AVERTISSEMENT:** Le silencieux sera chaud si le moteur vient d'être arrêté. Faites très attention de ne pas le toucher.

Calendrier des opérations d'entretien

Opération	Fréquence	Notes	Indicateur
Remplacer le filtre à carburant			↗
Nettoyage du silencieux			↗
Nettoyage du dispositif de protection			↗
Entretien de la bougie			↗
Vérification de la bougie		↗	
Entretien du filtre à cartouche de carbone †			↗
Entretien du filtre à air †			↗
Vérification du filtre à air			↗
Vidange de l'huile à moteur ††	↗		
Vérification du niveau de l'huile à moteur	↗		
	Cinq premières heures		
	Chaque utilisation ou toutes les 5 heures		
	Chaque saison ou toutes les 25 heures		
	Chaque saison ou toutes les 50 heures		
	Chaque saison ou toutes les 100 heures		
	Dates d'entretien		

† À effectuer plus souvent dans des conditions de travail poussiéreuses.
 †† En cas de charges importantes ou dans des températures élevées.

Verification initiale

IMPORTANT: Pour l'expédition, le moteur ne contient pas d'essence. Consultez le chapitre «Montage» dans cette notice pour faire le plein d'essence.

Déterminez le type de système de démarrage

Avant de mettre le moteur en marche, déterminez le type de système de démarrage installé sur le moteur parmi les trois modèles suivants :

- **Système à amorçage automatique :** Le moteur est équipé d'un volet de départ automatique, sans volet de départ manuel ou amorceur.
- **Système à amorceur/démarrage électrique :** Un amorceur est installé sur le moteur et un commutateur de démarrage électrique est monté sur le guidon.

Pour mettre le moteur en marche, suivez les instructions correspondant au type de système de démarrage.

Remarque : La machine peut être accompagnée de télécommandes. Consultez la notice d'utilisation de la machine quant à l'emplacement et à l'utilisation des télécommandes.

Mise en marche du moteur



AVERTISSEMENT : N'approchez jamais les mains et les pieds des pièces en mouvement. N'utilisez pas de liquide d'allumage sous pression. Les vapeurs sont inflammables.

Système à volet de départ automatique

1. Placez-vous derrière la tondeuse, appuyez sur la commande de la lame et maintenez-la contre le guidon supérieur. See Fig. 5-1.
2. Tirez sur la poignée du démarreur jusqu'à ce que vous sentiez une légère résistance, puis tirez plus rapidement pour surmonter la compression, empêcher le recul et faire démarrer le moteur. Répétez au besoin.

Système à amorceur

1. Appuyez 3 fois sur l'amorceur. Attendez environ 2 secondes entre chaque pression. Voir la Fig. 5-2. Si la température est inférieure à 10° (50°F), appuyez 5 fois. Lorsque le moteur est chaud, une seule pression peut être suffisante, quelle que soit la température.
2. Placez-vous derrière la tondeuse, appuyez sur la commande de la lame et maintenez-la contre le guidon supérieur.
3. Tirez sur la poignée du démarreur jusqu'à ce que vous sentiez une légère résistance, puis tirez plus rapidement pour surmonter la compression, empêcher le recul et faire démarrer le moteur. Répétez au besoin. Voir la Fig. 5-2.

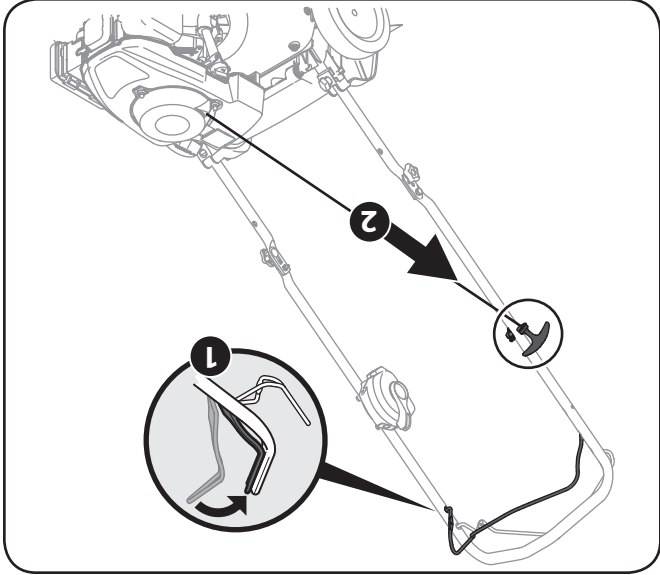


Figure 5-1

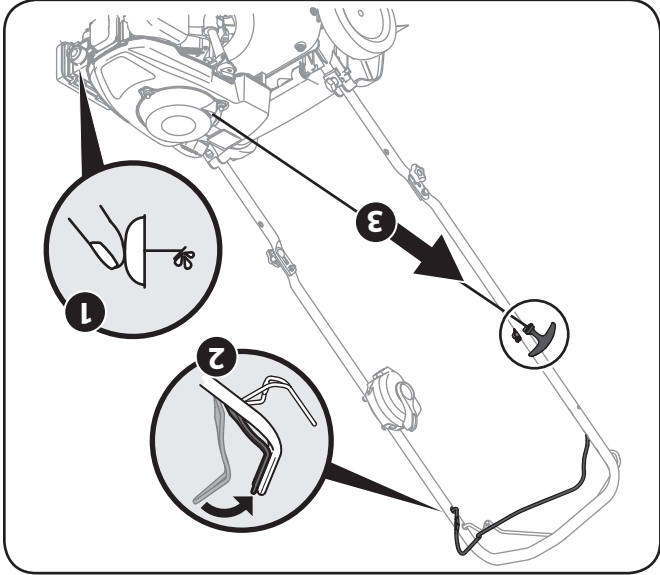


Figure 5-2

IMPORTANT : Ne laissez pas la poignée du démarreur frapper le guide de la corde.

Si le moteur ne démarre pas, il peut être nécessaire d'amorcer à nouveau le moteur.

Arrêt du moteur

1. Lâchez la commande de la lame ou arrêtez le moteur avec le commutateur (le cas échéant).

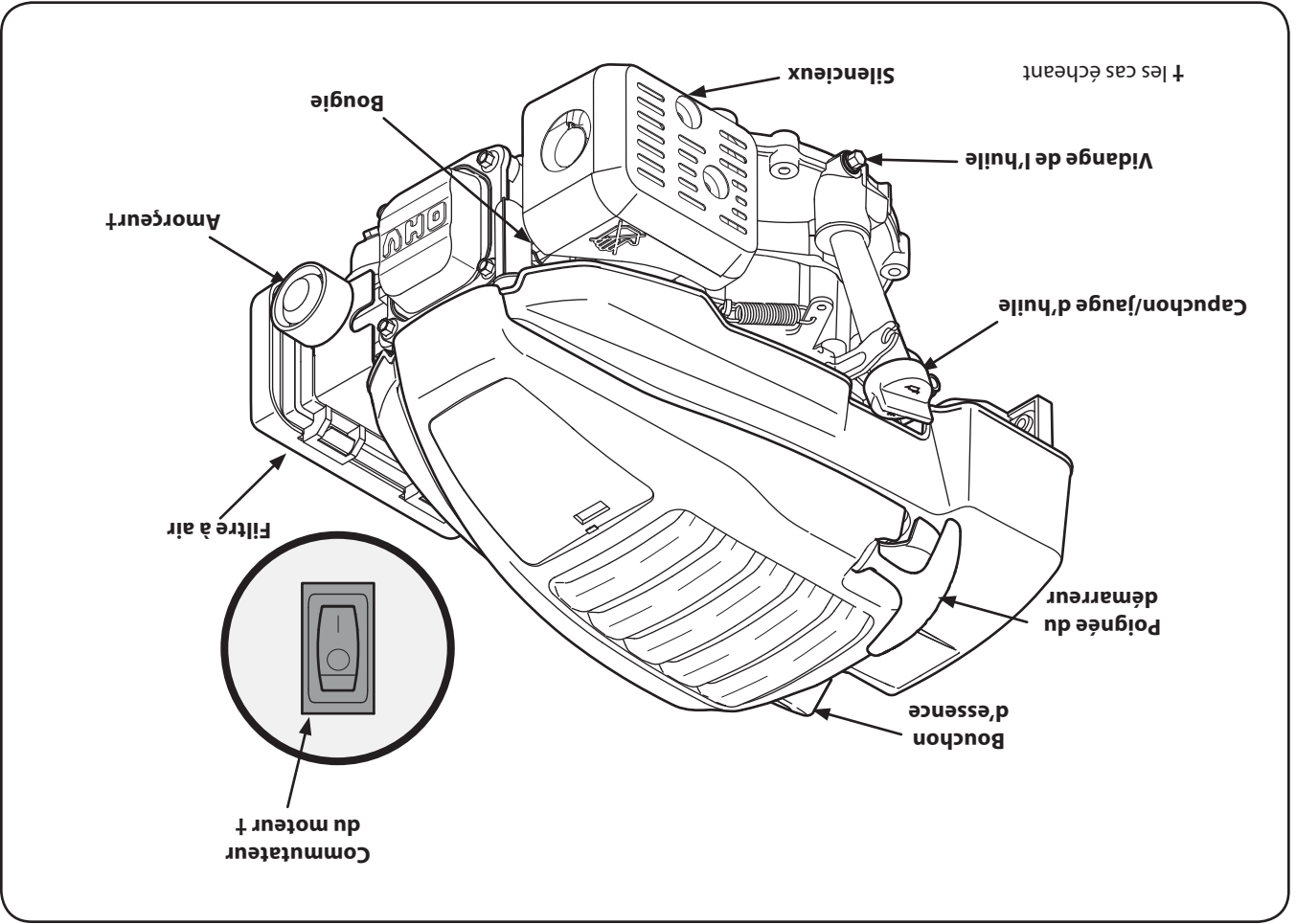


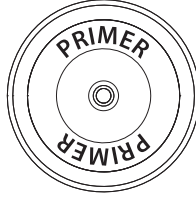
Figure 4-1

Amorceur (les cas échéant)

L'amorceur est située à l'avant du moteur. Le fait d'appuyer sur l'amorceur projette le carburant directement dans le carburateur du moteur pour faciliter les démarrages.

Commutateur du moteur (le cas échéant)

Le commutateur est placé sur le moteur. Placez le commutateur à la position «ON» pour mettre le moteur en marche et à la position «OFF» pour l'arrêter.

**Vidange de l'huile**

Le fait d'enlever le bouchon de vidange de l'huile permet de vider l'huile du moteur. Le moteur est équipé d'un orifice de vidange latéral et, sur certains modèles, un orifice peut être aménagé sous le moteur.

Capuchon/jauge d'huile

Enlevez le capuchon pour vérifier le niveau d'huile et pour ajouter de l'huile.

Capuchon du réservoir de carburant

Enlevez le capuchon pour faire le plein.

Plein d'essence



AVERTISSEMENT : Un adulte doit faire le plein d'essence. Ne permettez JAMAIS à des enfants de faire le plein. Les vapeurs d'essence sont très inflammables et peuvent exploser. Elles peuvent se déplacer et s'enflammer si une étincelle ou une flamme se trouve même à plusieurs pieds. Pour éviter toute blessure grave ou mortelle, suivez les instructions ci-dessous.

REMARQUE: À des fins d'expédition, le bouchon d'essence n'a pas été installé sur certains moteurs. Pour l'installer, enlevez et jetez le bouchon d'essence antipoussière marqué « À jeter ». Enlevez et jetez le film à bulles autour du bouchon d'essence et serrez-le à fond.

- N'utilisez PAS d'essence contenant du plomb.
- L'essence doit être propre et fraîche. N'utilisez JAMAIS de l'essence qui reste de la saison précédente ou qui a été entposée longtemps.
- Ne mélangez JAMAIS l'essence et l'huile.
- N'utilisez pas d'essence contenant du méthanol (alcool de bois).

NOTE: Laissez le moteur refroidir pendant deux minutes avant de faire le plein.

1. Nettoyez les alentours du capuchon du réservoir d'essence et dévisséz-le.
2. Remplissez le réservoir jusqu'à ½ po en dessous de la base du goulot de remplissage pour laisser de la place pour l'expansion du carburant. Prenez soin de ne pas remplir excessivement.
3. Remettez le capuchon en place et serrez-le bien. Essayez toute élaboussure d'essence avant de remettre le moteur en marche. Si de l'essence a été renversée, ne mettez pas le moteur en marche. Déplacez l'équipement pour l'éloigner de l'essence renversée. Évitez de créer toute étincelle ou flamme avant que les vapeurs se soient dissipées.

Recommandations concernant le carburant



ATTENTION : L'emploi d'un moteur avec un carburant E85, un mélange d'huile et d'essence, de l'essence sale ou de plus de 30 jours qui n'a pas été traitée avec un produit de stabilisation du carburant, peut endommager le carburateur du moteur. Ces dégâts NE sont PAS couverts par la garantie du fabricant.

Utilisez une huile automobile (sans plomb ou à faible teneur en plomb pour minimiser les dépôts dans la chambre de combustion). Une essence contenant jusqu'à 10% d'éthanol ou 15% de MTBE (méthyl-ter-butyléther) peut être utilisée. N'utilisez jamais un mélange d'huile et d'essence ou une essence sale. Évitez de laisser de la saleté, de la poussière ou de l'eau pénétrer dans le réservoir. **N'UTILISEZ PAS DE L'ESSENCE E85.**



AVERTISSEMENT : L'essence est un produit très inflammable qui risque d'exploser dans certaines situations.

Faites le plein dans un endroit bien aéré quand le moteur est arrêté. Ne fumez pas et n'autorisez aucune flamme nue ou étincelle à proximité de la tondeuse pendant que vous faites le plein ou là où vous remisez l'essence.

- Ne remplissez pas excessivement le réservoir (il ne doit pas y avoir d'essence dans le goulot de remplissage). Vérifiez ensuite que le bouchon est bien en place et serré à fond.
- Faites attention de ne pas renverser d'essence en faisant le plein. Les éclaboussures et les vapeurs d'essence peuvent s'enflammer. Vérifiez que les éclaboussures ont séché avant de mettre le moteur en marche.
- Évitez tout contact répété ou prolongé de l'essence avec la peau et ne respirez pas les vapeurs d'essence.

Montage

Caractéristiques techniques de l'huile et du

carburant

IMPORTANT : Le moteur est expédié sans essence ni huile. L'utilisation du moteur avec une quantité d'huile insuffisante gravement endommager le moteur et annuler la garantie.

AVERTISSEMENT : N'approchez jamais les mains et les pieds des pièces en mouvement. N'utilisez pas de liquide d'allumage sous pression. Les vapeurs sont inflammables.



Recommandations concernant l'huile

Faites le plein d'huile avant de mettre le moteur en marche, le carter a une capacité de 20 oz. (0,60 litre). Voir la Fig. 3-1. Ne remplissez pas excessivement. Utilisez une huile hautement détergente de première qualité ou équivalente pour moteur à fabricants automobiles américains pour les classifications de service minimales SJ (des classifications plus élevées telles que SL et SM sont acceptables).

L'huile SAE 10W-30 est recommandée pour une utilisation générale quelle que soit la température. Si une huile à viscosité unique est utilisée, choisissez la viscosité correspondant à la température moyenne de votre région en fonction du tableau ci-dessous.

1. Viscosité unique
2. Viscosités multiples

ATTENTION : L'emploi d'une huile non détergente ou pour moteur à 2 temps peut abréger la durée de vie du moteur.

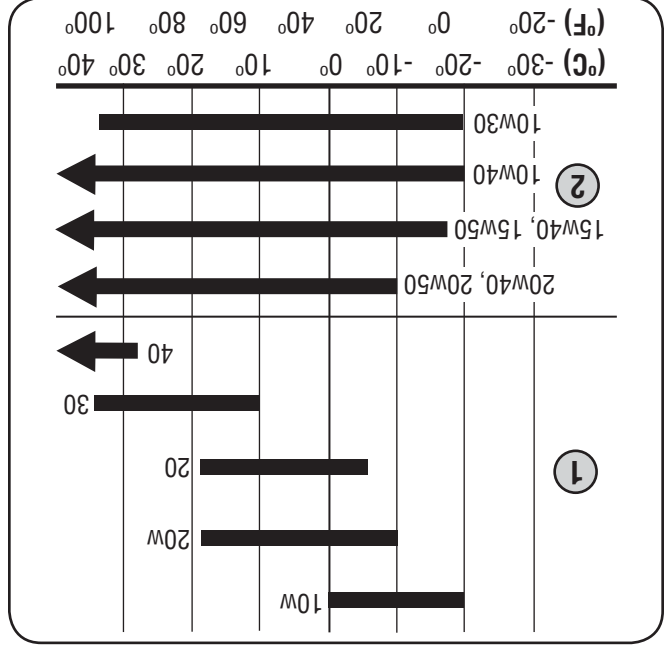


Figure 3-1

REMARQUE : Une huile synthétique 5W30 peut être utilisée pour améliorer les démarrages par temps froid (températures inférieures à 40°F).

Vérification du niveau d'huile

IMPORTANT : Assurez-vous de placer la tondeuse sur une surface plane et d'arrêter le moteur avant de vérifier le niveau d'huile.

1. Enlevez le capuchon de remplissage de l'huile et essuyez la jauge à huile.

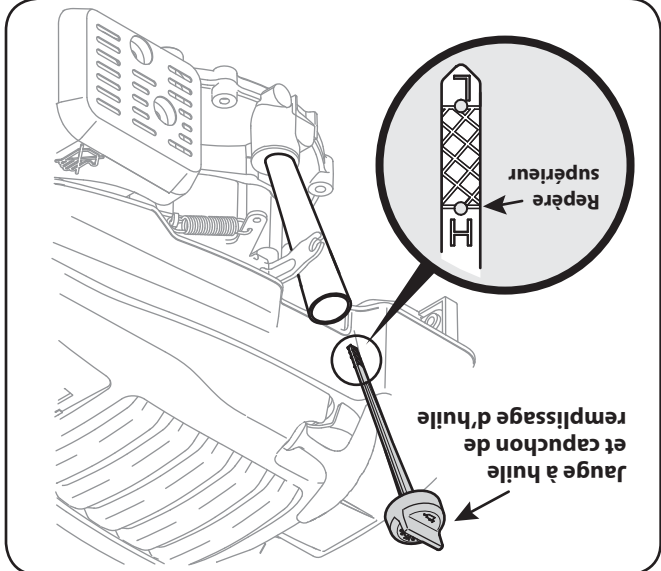


Figure 3-2

2. Enfoncez la jauge à huile dans le goulot de remplissage de l'huile. Tournez la jauge 1/4 de tour en position verrouillée pour bien l'ajuster. Voir la Fig. 3-3.
 3. Si le niveau d'huile est bas, ajoutez lentement de l'huile jusqu'au repère supérieur sur la jauge. Voir l'encadré de la Fig. 3-2.
 4. Vissez la jauge à huile à fond avant de mettre le moteur en marche.
- REMARQUE :** Ne remplissez pas excessivement. Une quantité excessive d'huile causera de la fumée, des démarrages difficiles, l'encrassement des bougies ou la saturation du filtre à air.

Symboles de sécurité

Cette page illustre et explique les symboles de sécurité qui peuvent se trouver sur cette machine. Veuillez lire et suivre toutes les instructions sur la machine et vous assurer de bien les comprendre avant d'essayer d'assembler et d'utiliser la machine.

Description	Symbole
<p>VEUILLEZ LIRE LA OU LES NOTICES D'UTILISATION. Veuillez lire et suivre toutes les instructions sur la machine et vous assurer de bien les comprendre avant d'essayer d'assembler et d'utiliser la machine.</p>	
<p>AVERTISSEMENT – L'ESSENCE EST UN PRODUIT INFLAMMABLE. Laissez le moteur refroidir pendant au moins deux minutes avant de refaire le plein.</p>	
<p>AVERTISSEMENT – MONOXYDE DE CARBONE Ne faites jamais fonctionner un moteur à l'intérieur ou dans un bâtiment mal ventilé. Les gaz d'échappement contiennent du monoxyde de carbone, un gaz inodore et mortel.</p>	
<p>AVERTISSEMENT – SECOUSSE ÉLECTRIQUE N'utilisez pas le démarreur électrique du moteur par temps pluvieux.</p>	
<p>AVERTISSEMENT - SURFACE CHAUDE Les pièces de moteur, particulièrement le silencieux, deviennent extrêmement chaudes lors du fonctionnement. Permettez le moteur et le silencieux de se refroidir avant de les toucher.</p>	



AVERTISSEMENT: Votre responsabilité. Cette machine ne doit être utilisée que par des personnes qui peuvent lire, comprendre et respecter les avertissements et instructions qui figurent dans cette notice et sur la machine

CONSERVEZ CES INSTRUCTIONS!

7. Ne faites jamais déborder le réservoir. Remplissez le réservoir jusqu'au repère « Full » sur l'indicateur de niveau du carburant qui est placé à l'intérieur du réservoir. Ne remplissez pas excessivement et laissez assez d'espace pour l'expansion du carburant. Sur certains modèles SANS indicateur de niveau du carburant, laissez un espace d'un demi-pouce environ sous la base du goulot de remplissage pour permettre l'expansion du carburant.
8. Remettez le capuchon en place et serrez jusqu'au dé clic. En cas de débordement, essuyez toute éclaboussure sur le moteur et la machine. Déplacez la machine à une autre endroit. Attendez 5 (cinq) minutes avant de mettre en marche le moteur.
10. Limitez les risques d'incendie en débarrassant le moteur des brins d'herbe, feuilles et autres saletés. Essayez les éclaboussures de carburant ou d'huile et enlevez tous les débris imbibés d'essence.
11. Éloignez l'essence des étincelles, flammes nues, veilleuses et autres sources de chaleur.
12. Ne faites jamais le plein de l'équipement à l'intérieur où les vapeurs inflammables risquent de s'accumuler.
13. Éteignez toute cigarette ou pipe, tout cigare ou toute autre chaleur incandescente.
14. Vérifiez souvent l'état des conduites d'essence, du réservoir, du bouchon d'essence et autres raccords. Remplacez-les si vous détectez un fendillement ou une fuite.
1. Vérifiez que la bougie, le silencieux, le bouchon d'essence et le filtre à air sont bien installés avant de mettre le moteur en marche.
2. Ne faites pas tourner le moteur si la bougie n'est pas installée.
3. En cas de renversement d'essence, attendez que les vapeurs se dissipent avant de mettre le moteur en marche.
4. Attendez que le silencieux, le cylindre du moteur et les ailettes aient refroidi avant de les toucher.
5. Éloignez les enfants des moteurs en cours de fonctionnement ou encore chauds. Ils pourraient être brûlés par le silencieux.
6. Éliminez tous les débris combustibles de la proximité du silencieux et du cylindre.
7. Vérifiez que tous les dispositifs de protection sont en place avant d'utiliser l'équipement.
8. N'approchez pas les mains et les pieds de toutes les pièces en mouvement.
9. Attachez les cheveux longs et ne portez pas de bijoux.
10. Ne portez pas de vêtements lâches, à cordellettes, ou tout autre article qui risque d'être happé.
11. Pour mettre le moteur en marche, tirez lentement sur la corde jusqu'à ce que vous sentiez une légère résistance, puis tirez plus rapidement.
12. Démontez tout équipement externe ou supprimez toute charge au moteur avant de mettre celui-ci en marche.
13. Les éléments en prise directe, dont les lames, turbines, poulies, douilles, etc., doivent être solidement attachés.



Pare-étincelles

AVERTISSEMENT

Cette machine est équipée d'un moteur à combustion interne et elle ne doit pas être utilisée sur un terrain non entretenu, recouvert de broussailles ou d'herbe si le système d'échappement du moteur n'est pas muni d'un pare-étincelles, conformément aux lois et règlements provinciaux ou locaux (le cas échéant).

Si un pare-étincelles est utilisé, il doit être maintenu en bon état de marche par l'utilisateur de la machine. La station technique agréée la plus proche peut vous fournir un pare-étincelles pour le pot d'échappement de cette machine.

Avis concernant les émissions de gaz

Les moteurs certifiés conformes aux normes régulatrices de la Californie et de l'agence EPA fédérales pour SORE (petit équipement hors route) sont certifiés pour fonctionner avec de l'essence de plomb ordinaire et peuvent être dotés des systèmes de contrôle des émissions de gaz suivants : Engine Modification (EM) et Three Way Catalyst (TWC) le cas échéant.

Ne modifiez pas le moteur.

1. Gardez la machine en bon état de marche.
2. Laissez la machine refroidir pendant au moins 5 minutes avant de la remettre. Ne modifiez jamais les dispositifs de sécurité. Vérifiez souvent qu'ils fonctionnent correctement.
3. Vérifiez régulièrement que les boulons et vis sont bien serrés et maintenez la machine en bon état de marche. Examinez soigneusement la machine pour vous assurer qu'elle n'est pas endommagée et n'a pas besoin d'être réparée.
4. Avant de nettoyer, de réparer ou d'examiner la machine, assurez-vous que la turbine et autres pièces en mouvement se sont immobilisées. Débranchez le fil de la bougie et éloignez-le de celle-ci pour empêcher tout démarrage accidentel.
5. Ne modifiez pas le réglage du régulateur qui assure un régime optimum sans présenter de danger. Il est dangereux de laisser le moteur s'emballer, ce qui risque de l'endommager ainsi que d'autres pièces mobiles de la machine.
6. Prenez soin des étiquettes de sécurité et d'instructions et remplacez-les au besoin.
7. Consultez toujours la notice d'utilisation quant aux instructions de remisage hors-saison.
8. Le cas échéant, videz le réservoir d'essence à l'extérieur. Respectez les règlements concernant l'élimination des déchets et liquides qui risquent de nuire à la nature et à l'environnement.
9. Ne modifiez pas le réglage de l'usine du régulateur. Fonctionnement à des vitesses dangereuses. Ne modifiez jamais le réglage de l'usine du régulateur.

AVERTISSEMENT: Ce symbole attire votre attention sur des consignes de sécurité importantes qui, si elles ne sont pas respectées, peuvent mettre en danger non seulement votre personne et vos biens, mais aussi ceux d'autrui. Prière de lire toutes les instructions figurant dans cette notice d'utilisation avant d'essayer de vous servir de cette machine. Le non-respect de ces instructions peut entraîner des blessures corporelles. RESPECTEZ L'AVERTISSEMENT QUI ACCOMPAGNE CE SYMBOLE!

PROPOSITION 65 – CALIFORNIE

AVERTISSEMENT: Les gaz d'échappement de ce produit contiennent des produits chimiques reconnus dans l'État de Californie comme causant le cancer, des anomalies congénitales ou d'autres problèmes liés à la reproduction.



DANGER: Cette machine doit être utilisée conformément aux consignes de sécurité qui figurent dans ce manuel. Comme avec tout appareil motorisé, une négligence ou une erreur de la part de l'opérateur peut entraîner de graves blessures. Par conséquent, le non-respect de ces consignes peut causer des blessures corporelles graves et même mortelles.

Fonctionnement

1. Assurez-vous de lire et de bien comprendre toutes les instructions qui figurent sur la machine et dans la notice d'utilisation avant de l'assembler et de la mettre en marche. Conservez cette notice d'utilisation à un endroit sûr pour toute consultation ultérieure et pour commander des pièces de rechange.
2. Familiarisez-vous avec les commandes et leur fonctionnement avant de vous en servir. Sachez comment arrêter la machine et débayer les commandes rapidement.
3. Ne permettez jamais à des enfants de moins de 14 ans de se servir de la machine. Des enfants plus âgés doivent lire et comprendre le mode d'emploi de la machine et les consignes de sécurité. Un adulte doit leur apprendre à se servir de cette machine et les surveiller.
4. Seuls des adultes responsables connaissant bien le fonctionnement de la machine doivent être autorisés à s'en servir.
5. Eloignez tout le monde, en particulier les jeunes enfants et les animaux de compagnie, de la zone de travail. Arrêtez la machine si quelqu'un s'approche.

Préparation

1. Arrêtez le moteur et laissez-le refroidir pendant au moins 2 minutes avant de retirer le bouchon d'essence pour faire le plein.
2. Faites le plein à l'extérieur ou dans un endroit bien aéré. Remplissez le carburant dans des bidons homologués seulement.
3. Ne faites jamais le plein dans un véhicule, ni à l'arrière d'une camionnette dont le plancher est recouvert d'un revêtement en plastique. Placez toujours les bidons par terre et loin de votre véhicule avant de les remplir.
4. Dans le mesure du possible, déchargez l'équipement motorisé de la remorque et faites le plein par terre. Si cela n'est pas possible, faites le plein avec un bidon plutôt que directement de la pompe à essence.
5. Maintenez le gicleur en contact avec le bord du réservoir plein soit terminé. N'utilisez pas un gicleur équipé d'un dispositif de blocage en position ouverte.
6. Examinez soigneusement la zone de travail. Ramassez tous les pierres, bâtons, fil métalliques, et autre objets qui pourraient vous trébucher et causer des blessures graves.
7. Portez toujours des lunettes de sécurité en utilisant la machine ou en effectuant un réglage ou une réparation. Un objet peut en effet être projeté, ricocher et vous blesser aux yeux.
8. Débrayez la barre d'embrayage et décalez (le cas échéant) la manette au point mort ("N") avant de mettre en marche le moteur.

Manipulation de l'essence:

4. Ne laissez jamais la machine sans surveillance quand le moteur tourne.
5. N'essayez jamais d'effectuer un réglage quelconque pendant que le moteur tourne, sauf en cas d'instructions spéciales dans la notice d'utilisation.

Pour éviter toute blessure ou dégât matériel, faites très attention en manipulant de l'essence. Il s'agit d'un produit extrêmement inflammable et les vapeurs risquent d'exploser. Vous pouvez être grièvement blessé si des éclaboussures sur votre peau ou sur vos vêtements s'enflamment. Rincez votre peau et changez immédiatement de vêtements.

À l'intention du propriétaire



Merci !

Cette notice d'utilisation est une pièce importante de votre nouveau moteur. Elle vous aidera à préparer et à entretenir le moteur de manière à obtenir les meilleures performances possible. Veuillez la lire attentivement afin de bien comprendre les instructions.

3	Consignes de sécurité
5	Étiquettes de sécurité
6	Montage
8	Commandes et caractéristiques
9	Fonctionnement
10	Entretien et réglages
15	Dépannage
16	Pièces de rechange
17	Garantie

Enregistrez les renseignements concernant la machine.

Avant de préparer et d'utiliser votre nouvelle machine, veuillez localiser la plaque signalétique et reporter les renseignements dans l'endroit prévu ci-dessous. Ces renseignements seront nécessaires si vous avez besoin d'une aide technique soit par l'intermédiaire de notre site internet, soit auprès du concessionnaire votre localité.

NUMÉRO DE MODÈLE/NUMÉRO DE SÉRIE

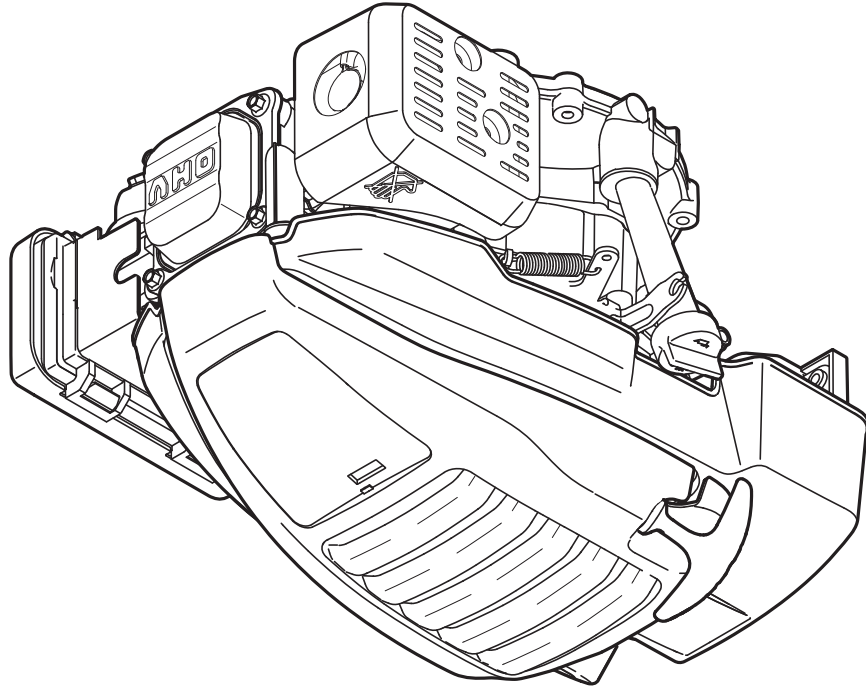
Service après-vente

Veuillez NE PAS retourner la machine au détaillant qui vous l'a vendue, sans vous adresser d'abord au service après vente.

Nos techniciens peuvent vous aider si vous avez des difficultés en assemblant cette machine ou si vous avez des questions concernant ses commandes, son fonctionnement ou son entretien. Choisissez parmi les options ci-dessous :

- ◇ Visitez notre site web à www.mtdcanada.ca
- ◇ Rendez visite au concessionnaire le plus proche de chez vous en appelant le service après-vente au 1-800-668-1238.
- ◇ Écrivez-nous à P.O. Box 1386 • 97 Kent Avenue • Kitchener, Ontario, Canada • N2G 4J1

NOTICE D'UTILISATION



Moteurs de 159 cm³ à arbre vertical

⚠ Avertissement

PRIÈRE DE LIRE TOUTES LES INSTRUCTIONS FIGURANT DANS CETTE NOTICE D'UTILISATION AVANT D'ESSAYER DE VOUS SERVIR DE CETTE MACHINE. LE NON-RESPECT DE CES INSTRUCTIONS PEUT ENTRAÎNER DES BLESSURES CORPORELLES.

P. O. Box 1386, 97 KENT AVENUE, KITCHENER, ON N2G 4J1

IMPRIMÉ AUX ÉTATS-UNIS

769-08498E
9.11.14

Sécurité • Montage • Fonctionnement • Entretien • Dépannage • Garantie