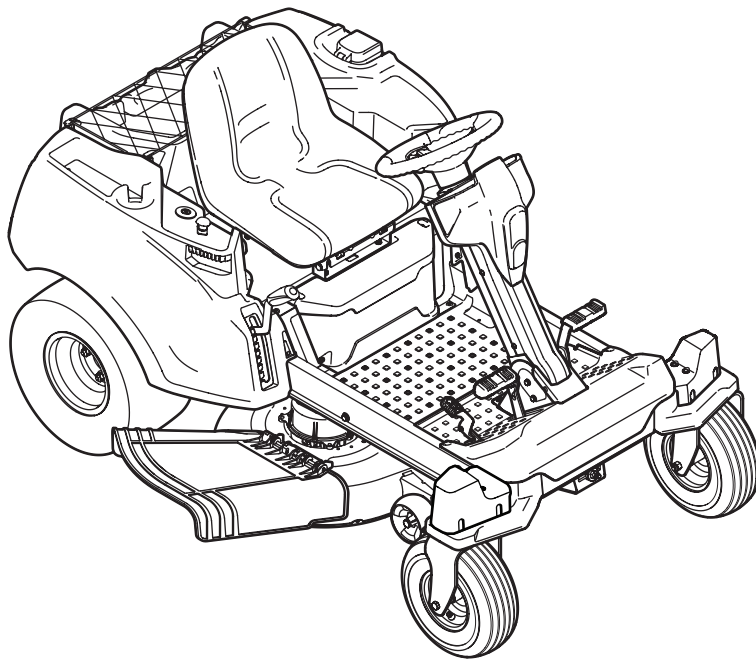


---

# *Cub Cadet*<sup>®</sup>

## ILLUSTRATED PARTS MANUAL



### **RZT-S Zero 42-inch Cutting Deck**

---

CUB CADET LLC, P.O. BOX 361131 CLEVELAND, OHIO 44136-0019

---

# To The Owner

## Thank You

Thank you for purchasing a Cub Cadet Zero-Turn Tractor. It was carefully engineered to provide excellent performance when properly operated and maintained.

All information in this manual is relative to the most recent product information available at the time of printing. Please be aware that this Illustrated Part's Manual may cover a range of product specifications for various models.

Components listed and/or illustrated in this manual may not be applicable to all models. We reserve the right to change product specifications, designs and equipment without notice and without incurring obligation.

Throughout this manual, all references to *right* (RH) and *left* (LH) are observed from the operating position.

## Table of Contents

<b>Axles</b> .....	<b>14</b>	<b>Pedal Controls</b> .....	<b>16</b>
<b>Battery</b> .....	<b>19</b>	<b>PTO Switch</b> .....	<b>8</b>
<b>Battery Charger</b> .....	<b>19</b>	<b>Seat</b> .....	<b>9</b>
<b>Deck, 42-inch</b> .....	<b>20</b>	<b>Steering Linkage</b> .....	<b>18</b>
<b>Deck Lift Handle/Linkage</b> .....	<b>3</b>	<b>Steering Wheel</b> .....	<b>16</b>
<b>Drive System</b> .....	<b>4</b>	<b>Switches, Interlock</b> .....	<b>8</b>
<b>Electrical Schematic</b> .....	<b>22</b>	<b>Transmission</b> .....	<b>6</b>
<b>Frame</b> .....	<b>3</b>	<b>Upper Operator's Platform</b> .....	<b>10</b>
<b>Labels</b> .....	<b>23-24</b>	<b>Wheels, Front</b> .....	<b>14</b>
<b>Lower Operator's Platform</b> .....	<b>12</b>	<b>Wheels, Rear</b> .....	<b>4</b>
<b>Meter, Systems Indicator</b> .....	<b>8</b>		

## Record Product Information

To ease in ordering replacement parts, please locate the model plate on the equipment and record the information in the provided area to the right. You can locate the model plate by looking beneath the seat.

### MODEL NUMBER

--	--	--	--	--	--	--	--	--	--	--	--

### SERIAL NUMBER

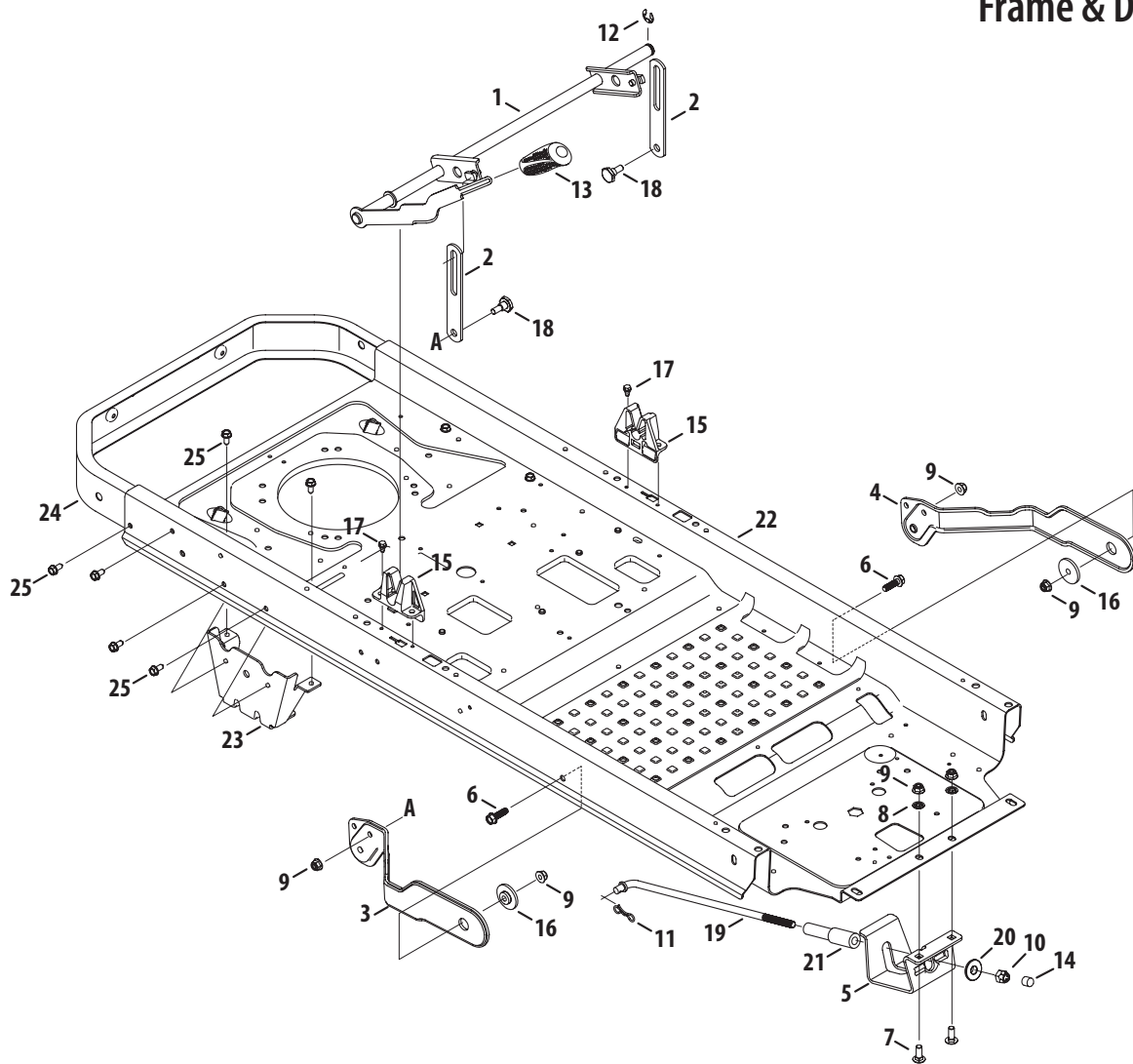
--	--	--	--	--	--	--	--	--	--	--	--

## Painted Parts

When ordering painted service parts, a four digit color suffix must be added to the part number (e.g. 783-XXXXX-0637). Please refer to the table below for current color codes:

0637	Black
4021	Yellow (Cub Cadet)
0499	Beige (Cub Cadet)

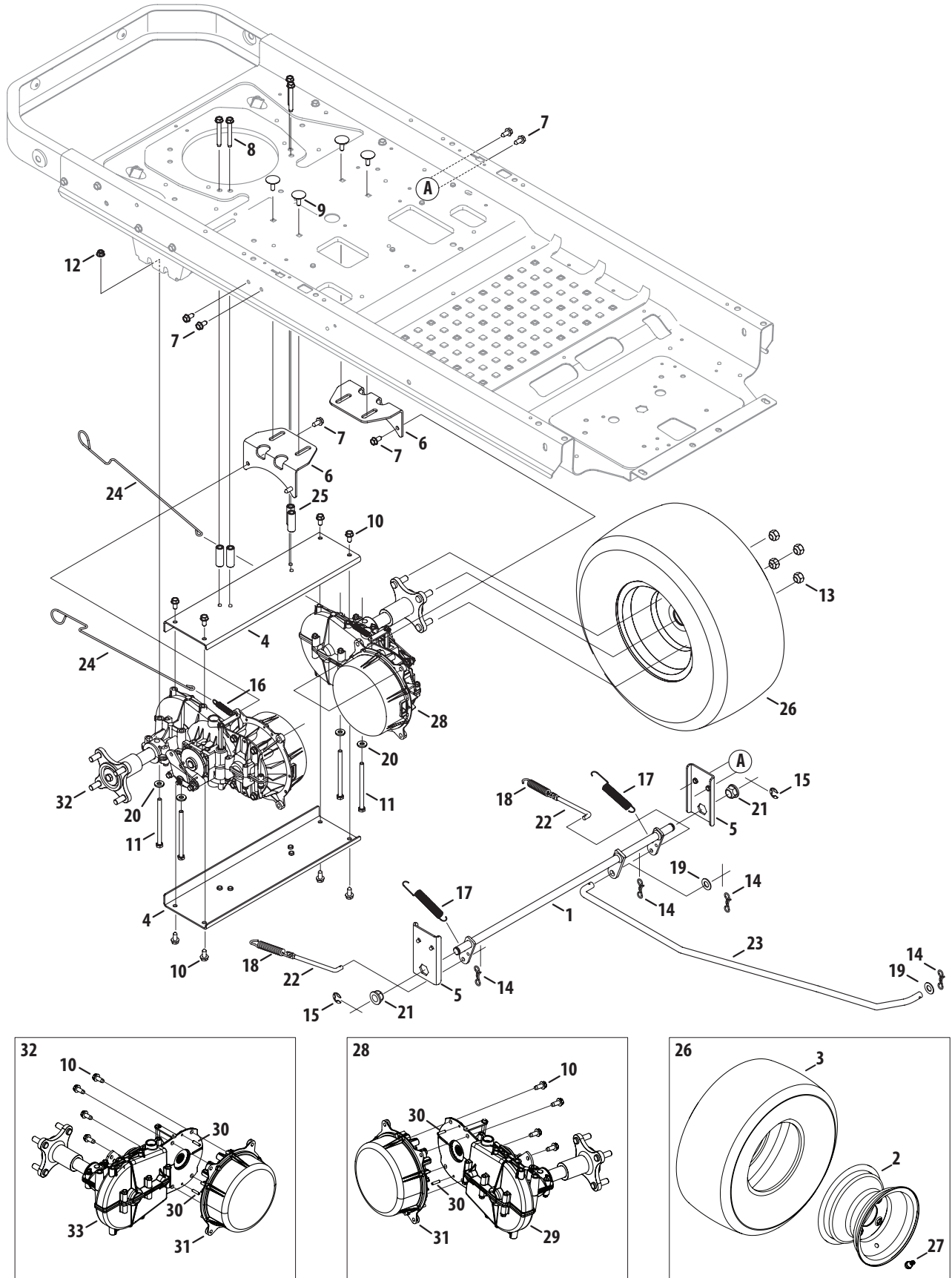
0685	Blue (Cub Cadet)
0691	Black Jack (Cub Cadet Commercial)



Ref	Part Number	Description
1	603-04983A	Deck Lift Shift Assembly
2	703-08591A	Lift Link Plate
3	703-08592	Deck Lift Plate, RH
4	703-08593	Deck Lift Plate, LH
5	703-08644	Rod Support Mounting Bracket
6	710-1315	Hex Washer Screw, 3/8-16 x 1.250
7	710-3168	Carriage Bolt, 3/8-16 x 1.00
8	712-0229	Push Nut, 3/8
9	712-04065	Flange Lock Nut, 3/8-16
10	712-04243	Flange Lock Nut, 1/2-13
11	714-04043	Bow-Tie Cotter Pin
12	916-0231	E-Type Ring, .750
13	720-04139B	Grip, .50 ID

Ref	Part Number	Description
14	726-05009	End Cap
15	731-08782	Deck Lift Bracket
16	738-04162C	Shoulder Spacer, .884 x .190
17	738-04278	Shoulder Screw, .500 x 1/4-20
18	938-0507B	Shoulder Screw, .500 Dia. x .434
19	747-05552A	Deck Lift Rod
20	748-04069	Deck Lift pivot Cup
21	750-05658	Nylon Sleeve, .55 ID x 4.50 LG
22	603-04951	Frame Assembly
23	703-08701A	Axle Mounting Bracket
24	703-09033	Bumper
25	710-04484	Hex Washer Screw, 5/16-18 x .750

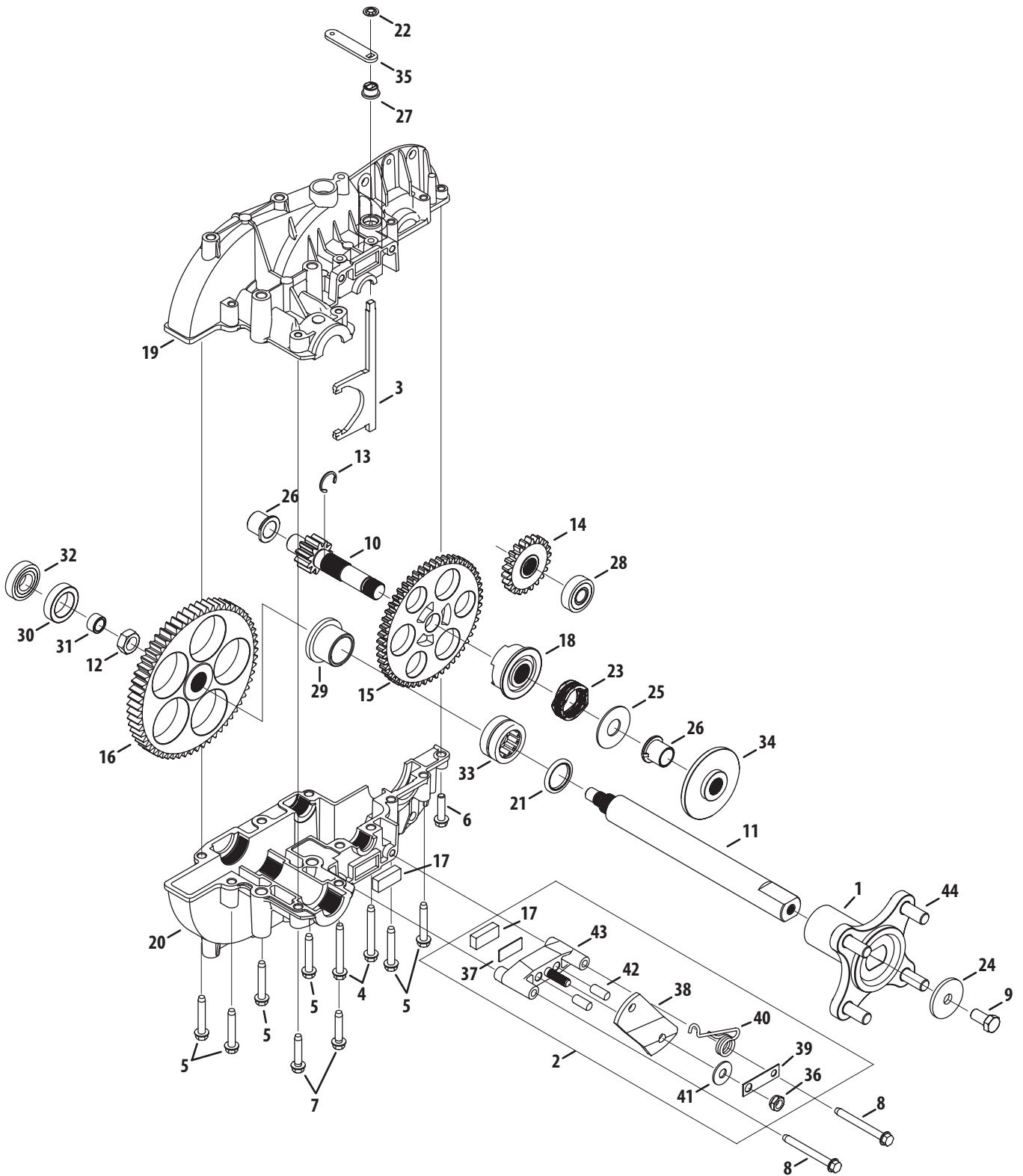
# Drive System



Ref.	Part Number	Description
1	611-04234	Shift Assembly
2	603-04173-0499	Rim Only
3	734-04246-0901	Tire Only, 18 x 8.5-8
4	703-08706	Axle Support Bracket
5	703-08752	Shift Assembly Mounting Bracket
6	703-08840	Transmission Mounting Bracket
7	710-04484	Hex Washer Screw, 5/16-18 x .750
8	710-05378	Hex Washer Screw, 5/16-18 x 2.50
9	710-05478	Screw, 5/16-18 x 1.00
10	710-1260A	Hex Washer Head Screw, 5/16-18 x .75
11	710-3195	Hex Cap Screw 5/16-18 x 4.50
12	712-04063	Flange Lock Nut, 5/16-18
13	712-3050	Lug Nut, 7/16-14
14	714-04040	Bow-Tie Cotter Pin
15	716-0106A	E-Ring, .625
16	932-04262	Extension Spring, .429OD x 2.515
17	732-04587	Extension Spring, .63 DIA x 4.95 LG
18	732-0716D	Extension Spring, .59 OD x 4.00 LG
19	936-0272	Flat Washer, .510 x 1.00 x .060
20	936-3008	Flat Washer, .344 x .750 x .120
21	941-0225	Hex Flange Bearing
22	747-05687	Brake Rod
23	747-05688	Brake Rod
24	747-05699	Dump Rod
25	750-05632	Spacer, .345 x .625 x 1.798
26	634-04293-0931	Complete Wheel, 18 x 8.5-8 (42" & 46)
27	934-0255	Valve Tubeless
28	N/A	Transmission Assembly, Whl Mtr, RH
29	918-05080†	Tranmission Assembly, RH
30	915-0221	Dowel Pin, 3/16 x 3/4
31	924-04147	Electric Motor, 48V
32	N/A	Transmission Assembly, Whl Mtr, LH
33	918-05081†	Tranmission Assembly, LH

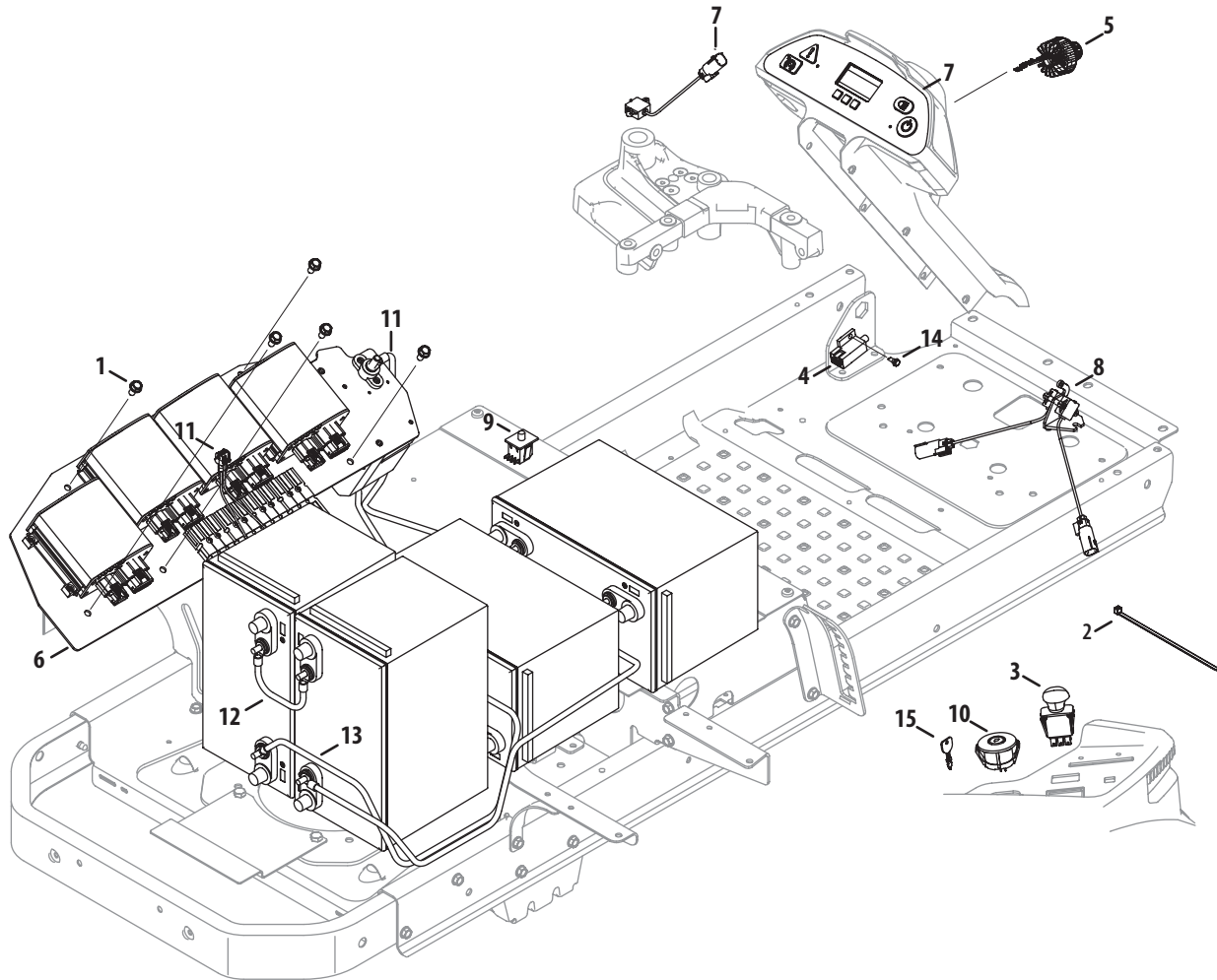
† See page 6-7 for Transmission Breakdown

# Transmission

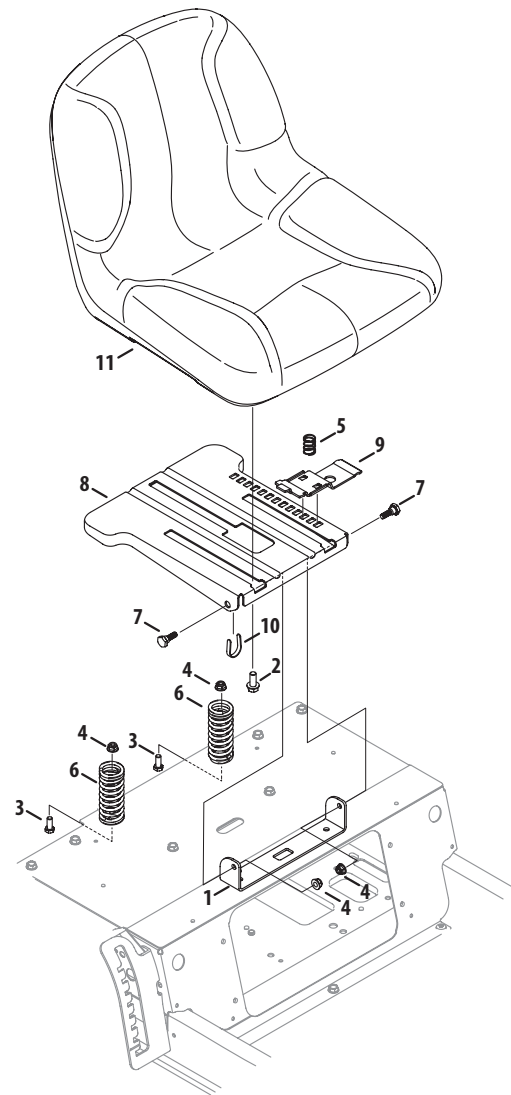


Ref.	Part Number	Description
	918-05080	Transmission Assembly, RH
	918-05081	Transmission Assembly, LH
1	918-04317	Wheel Hub Assembly
2	961-0001	Brake Ass'y, Yoke, RH
—	961-0006	Brake Ass'y, Yoke, LH
3	707-04806	Neutral Actuator
4	710-04523	Screw, ¼-20 x 2.00
5	710-0778	Hex Washer Screw, ¼-20 x 1.500
6	710-0788	Hex Washer Screw, ¼-20 x 1.000
7	710-0809	Hex Washer Screw, ¼-20 x 1.250
8	710-1206	Hex Washer Screw, ¼-20 x 2.375
9	710-3119	Hex Cap Screw, ⅜-16 x .75
10	911-05689	Electric Output Shaft, 11T
11	711-05717	Axle Shaft
12	712-3059	Jamlock Nut, 1/2-20
13	716-04056	Retainer Ring, 7MM
14	717-04295	Spur Gear, 22T
15	717-04296	Spur Gear, 53T
16	717-04297	Spur Gear, 61T
17	917-0678	Brake Pad
18	718-04166	Clutch Collor, U-Turn
19	919-04331A	Axle Housing
20	919-04333A	Axle Housing
21	721-04609	Seal, 1.00 x 1.25 x .125
22	726-04062	Push Nut, 1/4 x 17/32

Ref.	Part Number	Description
23	732-04366	Spring, 1.00 x 1.375 x .400
24	936-0227	Flat Washer, .39 x 1.5 x .134
25	736-3088	Flat Washer, 1.595 x .635 x .062
26	941-0336	Flange Bearing, 5/8 x 3/4 x 3/4
27	741-04170	Flange Slotted Bearing
28	741-04182	Ball Bearing
29	741-0476A	Flange Bearing, 1.004 x 1.25
30	941-05019	Thrust Bearing
31	741-05020	Sleeve Bearing
32	941-05021	Ball Bearing, .625 x 1.375 x 11/32
33	941-05028	Bearing, 1.00 x 1.50 x .750
34	761-0202	Brake Disc
35	783-05276	Lever Plate
36	912-0273	Hex Lock Nut, 5/16-24
37	917-0682	Puck Plate
38	717-0700	Arm, Brake Actuator - RH Brake
	717-0772B	Arm, Brake Actuator - LH Brake
39	718-0150	Anti-Rotation Brkt.
40	932-0742	Torsion Spring, .75 OD x 3 Coils, RH
	932-0743	Torsion Spring, .75 OD x 3 Coils, LH
41	736-0371	Flat Washer, .343 x .880 x .062
42	941-0343	Brake Actuating Pin
43	961-0198A	Brake Yoke
44	710-0852	Stud, rib Neck, 7/16-14 x 1.6

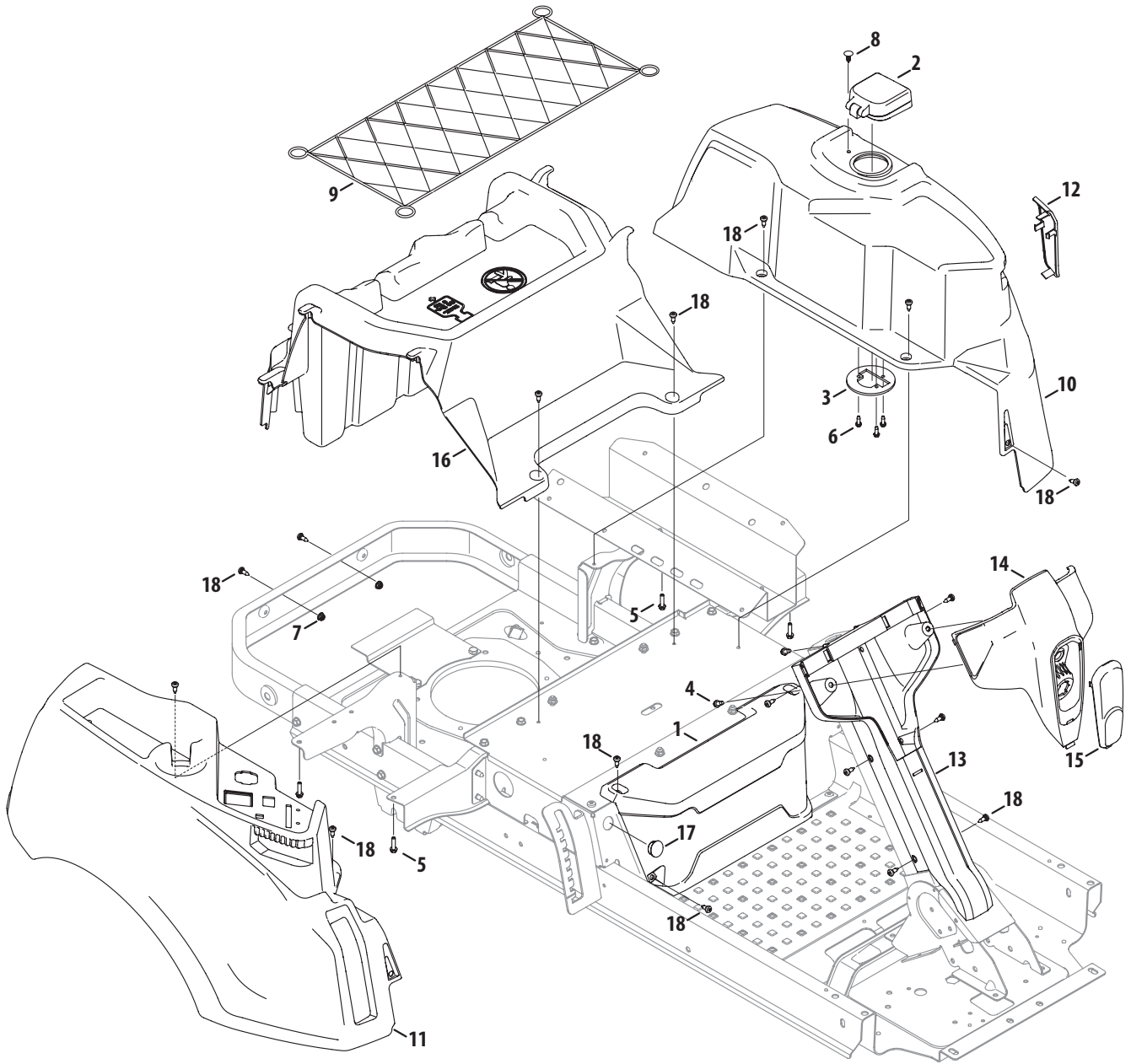


Ref	Part Number	Description
1	710-04484	Hex Washer Screw, 5/16-18 x .750
2	725-0157	Cable Tie
3	925-04175	Switch, Electric PTO, Yellow Knob
4	725-04363	Interlock Switch
5	925-05239	LED Headlight Socket
6	925-05448	Controller Assembly
7	925-05454	Control Module Assembly
8	925-05459	Throttle Sensor
9	725-05472	Seat Switch
10	925-05476	Key Switch
11	925-05488	Electric Battery Harness, 48V
12	725-05491	Electric Battery Harness, 24V
13	925-06003	Electric Battery Harness, 12V, 36V
14	738-04237A	Shoulder Screw, #10-32 x .500
15	625-05000	Key, Assembly
—	925-05441	Harness Assembly



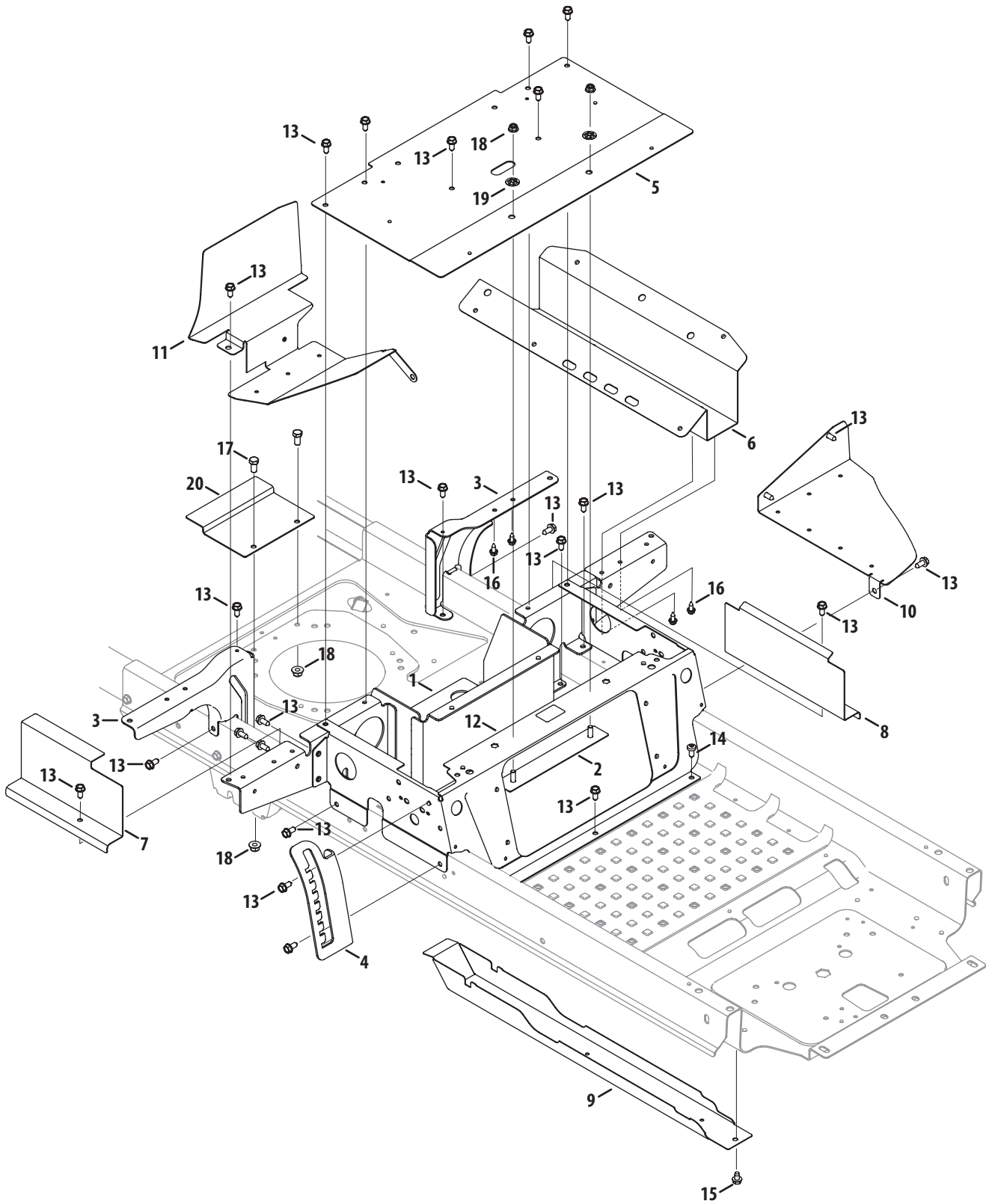
Ref.	Part Number	Description
1	703-08734	Seat Bracket
2	710-04482	Hex Flange Bolt, $\frac{3}{8}$ -16 x .875
3	710-3008	Hex Cap Screw, $\frac{5}{16}$ -18 x .750
4	712-04063	Flange Lock Nut, 5/16-18
5	732-04563	Compression Spring, .68 x 1.065 x .055
6	732-04849	Compression Spring, 1.50 x 3.90 x .200
7	938-0296	Shoulder Screw, $\frac{5}{16}$ -18 x .437 x .268
8	783-06049	Seat Mount Bracket
9	783-06050	Seat Adjustment Lever
10	783-06448	Clip
11	757-04131	Seat

# Upper Operator's Platform



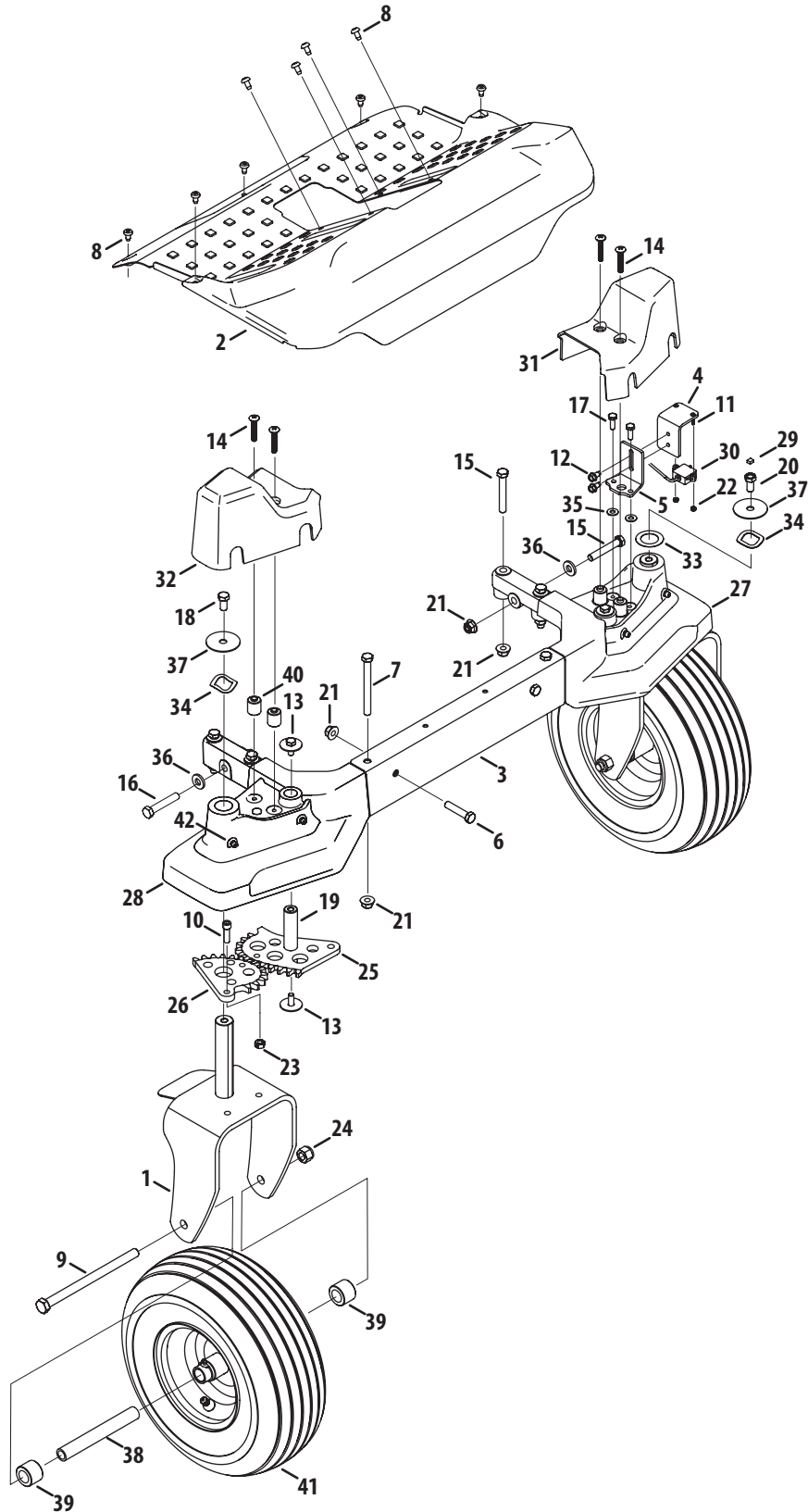
Ref.	Part Number	Description
1	903-05036	Battery Cover, Front
2	925-04187	Charge Port Plug Assembly
3	703-08909	Charge Port Mounting Plate
4	710-04065	Screw, 1/4-10 x .625
5	710-05109	Hex Washer Screw, 5/16-14 x 1.00
6	710-1823	Screw, #12-16 x .625
7	712-04064	Flange Lock Nut, 1/4-20
8	726-3046	Ratchet Clip, .250
9	727-04402	Cargo Retainer
10	931-08687A	Console, LH
11	931-08771A	Console, RH
12	731-08877	Pod Plug
13	731-08893	Column Cover
14	731-08894	Control Module Cover
15	731-08895	Cover
16	931-08900	Battery Cover
17	731-09477	Plastic Plug
18	738-04549A	Shoulder Screw, 1/4-20

# Lower Operator's Platform



Ref.	Part Number	Description
1	603-05029	Seatbox Brace, Rear
2	603-05030	Seat Bolt Weldment
3	703-08720A	Rear Tank Bracket
4	703-08762B	Height Index Bracket
5	703-08823	Seatbox, Top
6	703-08832	Control Panel Mounting Plate
7	703-09121	Shield Bracket, RH
8	703-09122	Shield Bracket, LH
9	703-09129	Shield Bracket, Main Harness
10	703-09131	Shield Bracket, Control
11	703-09132	Shield Bracket, RH Pod
12	703-09226	Seat Frame
13	710-04484	Hex Washer Screw, 5/16-18 x .750
14	710-05424	Self Tapping Screw, 5/16-18 x .750
15	710-0607	Hex Washer Screw, 5/16-18 x .500
16	710-1652	Hex Washer Screw, 1/4-20 x .625
17	710-3008	Hex Cap Screw, 5/16-18 x .750
18	712-04063	Flange Lock Nut, 5/16-18
19	726-04040	Push Nut, 5/16
20	783-07375	Support Bracket

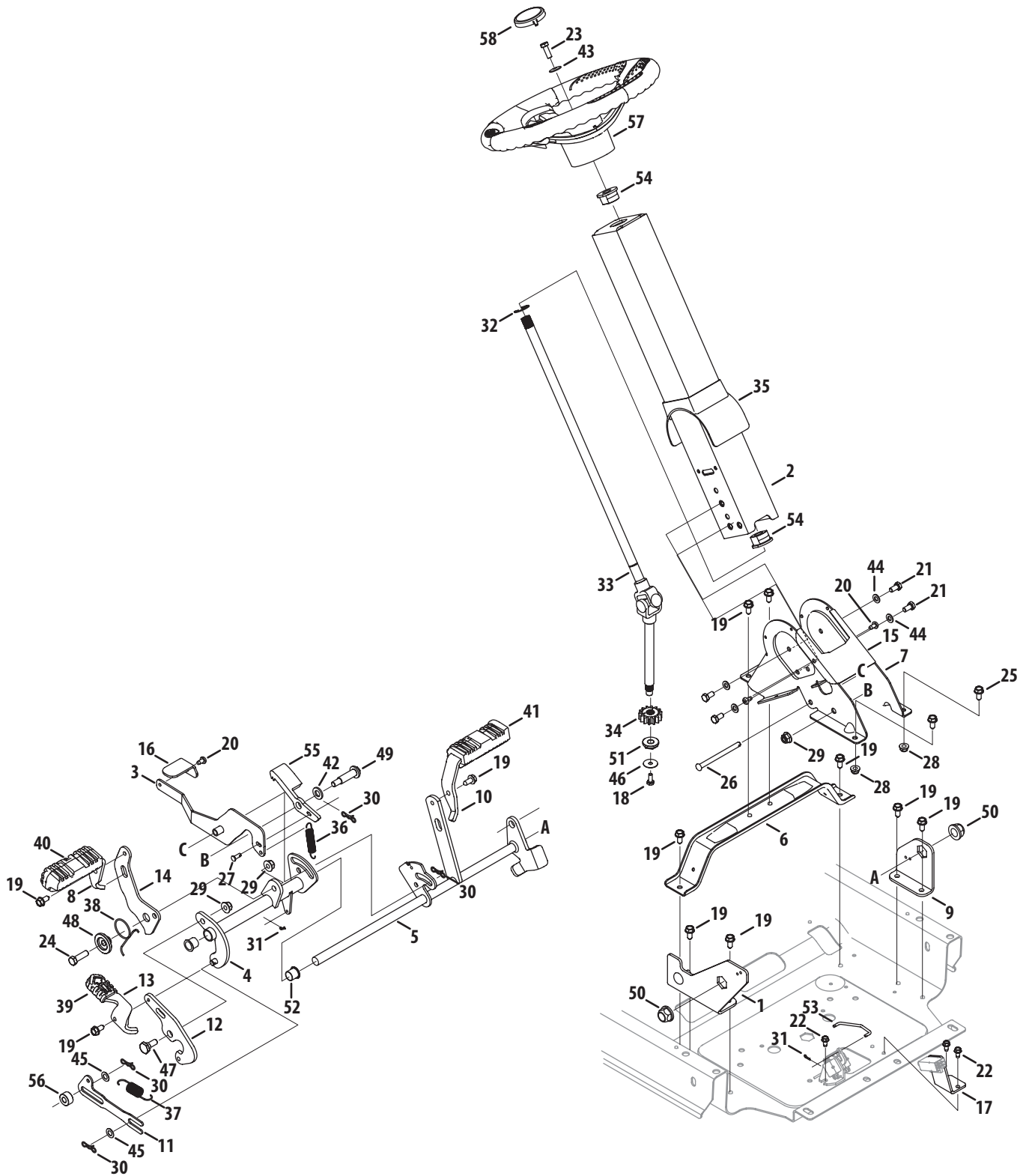
# Front Axle



## Front Axle

Ref.	Part Number	Description	Ref.	Part Number	Description
1	603-04961A	Caster Wheel Bracket	22	712-04330	Hex Lock Nut, #5-40
2	703-08642A	Floor Board	23	912-3009	Hex Lock Nut, 5/16-18
3	703-08663	Front Axle	24	912-3058	Hex Lock Nut, 1/2-20
4	703-09067	Steering Sensor Mounting Bracket	25	717-04952	12-Tooth Variable gear
5	703-09068	Sensor Adjustment Mounting Brkt.	26	717-04953	13-Tooth Variable gear
6	710-0347	Hex Cap Screw, 3/8-16 x 1.75	27	719-05007	Pivot Axle, LH
7	710-0411	Hex Cap Screw, 3/8-16 x 4.0	28	719-05025	Pivot Axle, RH
8	710-04483	Self Tapping Screw, 1/4-20 x .50	29	924-04153	Magnet-Rotary Sens
9	710-04652	Bolt, 1/2-20 x 7.25	30	925-05449	Sensor-Rotary
10	710-05398	Socket Head Screw, 5/16-18 x 1.00	31	731-09095	Axle Cover, LH
11	710-05437	Screw, #5-40 x .625	32	731-09229	Axle Cover, RH
12	710-0599	Hex Washer Screw, 1/4-20 x .500	33	936-0424	Flat Washer, 1.006 x 1.56 x .020
13	710-06041	Hex Cap Screw, 5/16-18 x .75	34	936-0447	Wave Washer, 1.5 x 1.0 x .029
14	710-06066	Screw, 1/4-20 x 1.50	35	936-0463	Flat Washer, .25 x .63 x .052
15	710-0859	Hex Cap Screw, 3/8-16 x 2.50	36	936-3004	Flat Washer, .406 x .875 x .105
16	710-3011	Hex Cap Screw, 3/8-16, 2.25	37	736-3040	Flat Washer, .406 x 1.92 x .060
17	710-3015	Hex Cap Screw, 1/4-20 x 0.75	38	750-04775A	Spacer, .51 ID x .75 OD x 5.825
18	710-3119	Hex Screw, 3/8-16 x .75	39	750-04792	Hub, .76 x 1.23 x .92 LG
19	711-05742	Pivot Gear Steering Shaft	40	750-06016	Shoulder Spacer, .28 x .75 x .837
20	711-06007	Screw	41	634-04711-0931	Wheel Assembly, 13 x 5-6
21	712-04065	Flange Lock Nut, 3/8-16	42	937-3000	Grease Fitting

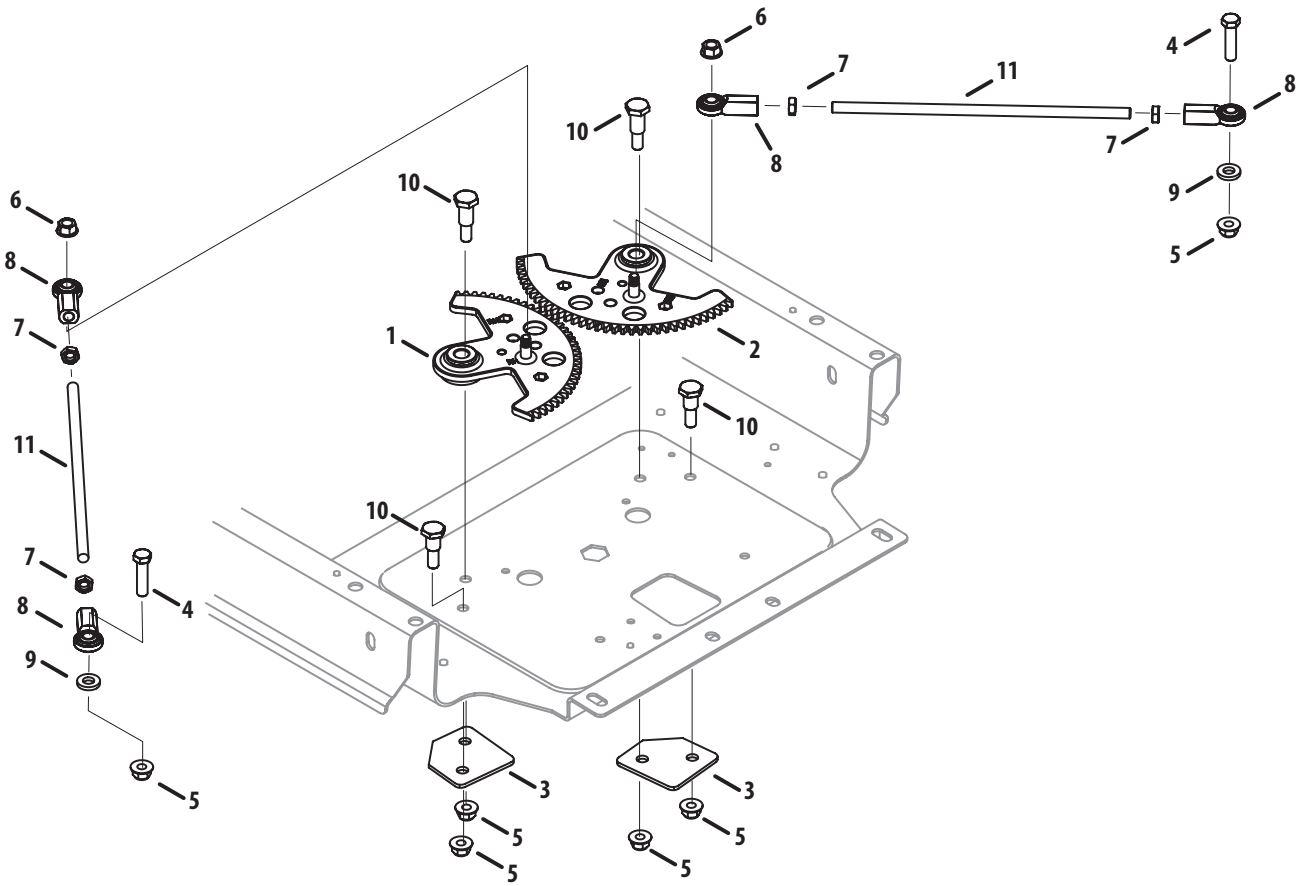
# Steering Column & Pedal Controls



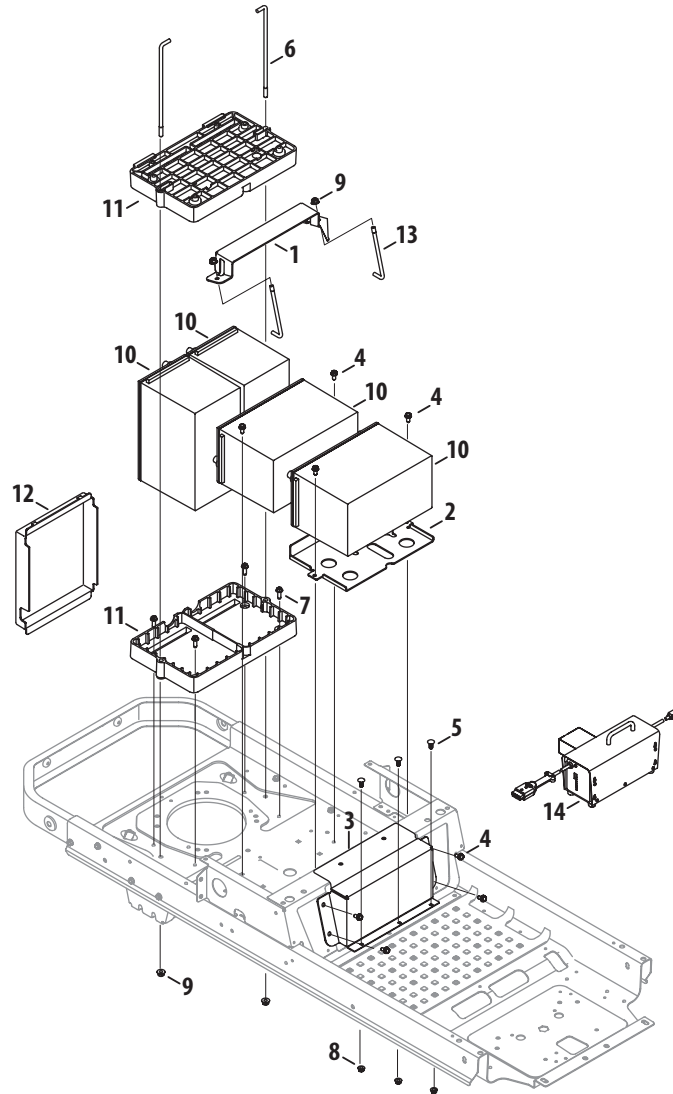
## Steering Column & Pedal Controls

Ref.	Part Number	Description	Ref.	Part Number	Description
1	603-04931A	Support Bracket Assembly, RH	30	714-04040	Bow-Tie Cotter Pin, 72
2	603-04966	Steering Column Assembly	31	714-04110	Cotter Pin, .047 Dia. x .59
3	603-05040	Brake Pedal Assembly	32	916-0231	E-Ring, .750
4	647-04285	Drive Pedal Assembly	33	717-04954	Steering Shaft
5	647-05005	Brake Pedal Assembly	34	717-04960	14-Tooth Spur Gear
6	703-08620A	Steering Support Bracket	35	731-07358B	Column Cover
7	703-08621A	Lower Steering Wheel Column	36	732-04580	Extension Spring, .500 x 2.733 LG
8	703-08646A	Drive Pedal	37	732-04748	Extension Spring, .70 OD x 3.035 LG
9	703-08656	Support Bracket, LH	38	732-04949	Torsion Spring, 1.00 ID x .22
10	703-08675	Brake Pedal	39	735-04117	Reverse Pedal Pad
11	703-08678A	Return to Neutral Link	40	735-04118A	Forward Pedal Pad
12	703-08690	Reverse Pedal Bracket	41	735-04136	Brake Pedal Pad
13	703-08694A	Reverse Pedal	42	936-0192	Flat Washer, .535 x .930 x .090
14	703-08754A	Forward pedal Bracket	43	736-0242	Bell Washer, .340 x .872 x .060
15	703-08837	Lower Column Cover	44	936-0264	Flat Washer, .330 x .630 x .064
16	703-09147	Tilt Steering Pedal	45	936-0314	Thrust Washer, .375 x .700 x .030
17	703-09165	Brake Switch Mounting Bracket	46	736-3092	Flat Washer, .265 x 1.00 x .030
18	710-0433	Hex Head Screw, 1/4-20 x .625	47	938-0380	Shoulder Bolt, 3/8-16 x .500 x .270
19	710-04484	Hex Washer Screw, 5/16-18 x .750	48	738-04552A	Shoulder Spacer, 1.50 x .38 x .38
20	710-05070	Screw, 1/4-20 x .5	49	738-0929	Shoulder Screw, 3/8-16 x .496 x 1.445
21	710-0538	Hex Screw, 5/16-18 x .625	50	941-0225	Hex Flange Bearing
22	710-0599	Hex Washer Screw, 1/4-20 x .500	51	741-04543	Hex Flange Bearing, 7/16
23	710-1245B	Hex Screw, 5/16-24 x .875	52	741-0495	Flange Bearing, .63 ID x .695 OD x .06
24	710-3005	Hex Screw, 3/8-16 x 1.25	53	747-05697	Throttle Sensor Actuator Rod
25	710-3008	Hex Screw, 5/16-18 x .75	54	948-0209	Flange Bearing, .63 ID x 1.50
26	711-05068A	Clevis Pin, 5/16 x 4.135	55	748-04203	Cruise Latch
27	711-05670	Clevis Pin, .224 Dia. x .625	56	750-05635	Spacer, .385 ID x .875 OD x .458
28	712-04063	Flange Lock Nut, 5/16-18	57	631-04008A	Steering Wheel Assembly
29	712-04065	Flange Lock Nut, 3/8-16	58	731-04039	Steering Wheel Cover

# Steering Linkage

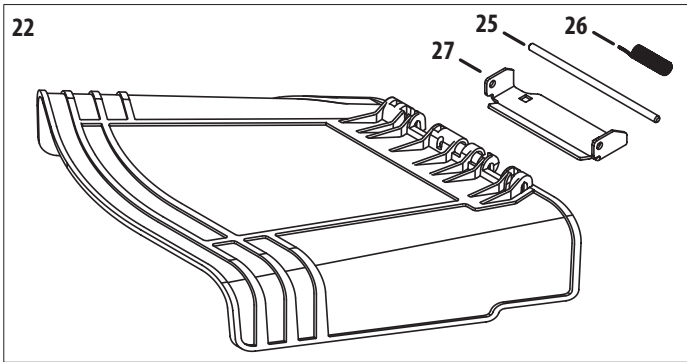
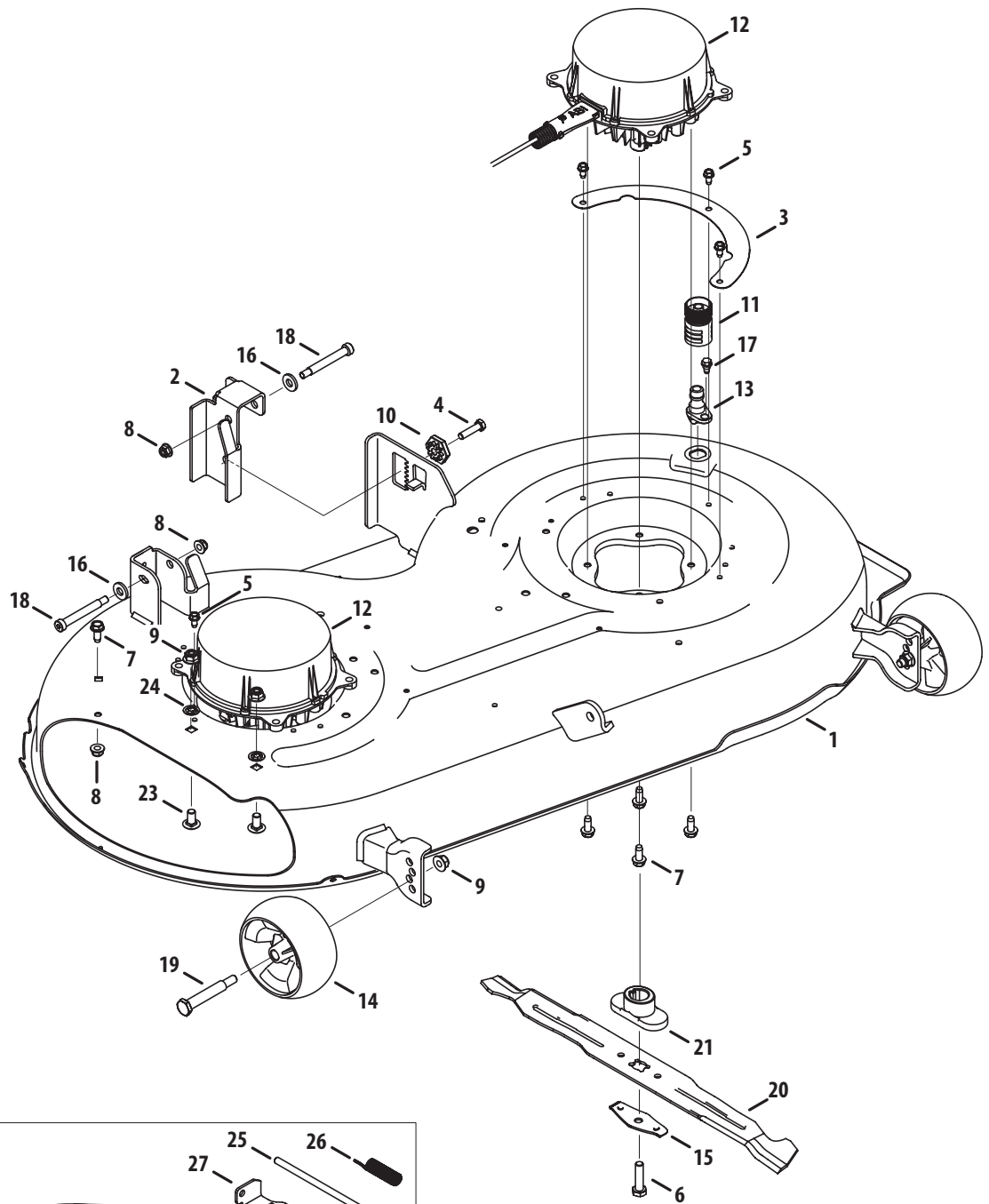


Ref	Part Number	Description
1	917-05005	Steering Gear Assembly, RH
2	917-05006	Steering Gear Assembly, LH
3	703-08858	Steering Support Plate
4	710-0520	Hex Screw, $\frac{3}{8}$ -16 x 1.50
5	712-04065	Flange Lock Nut, $\frac{3}{8}$ -16
6	712-04339	Nut, 5/16-18, Centerlock
7	712-0711	Jam Nut, $\frac{3}{8}$ -24
8	723-04080	Female Ball-Joint
9	736-3010	Flat Washer, .407 x .812 x .135
10	738-04518	Shoulder Screw, $\frac{3}{8}$ -16 x .500 x .875
11	747-06130	Drag Link, .375 Dia.



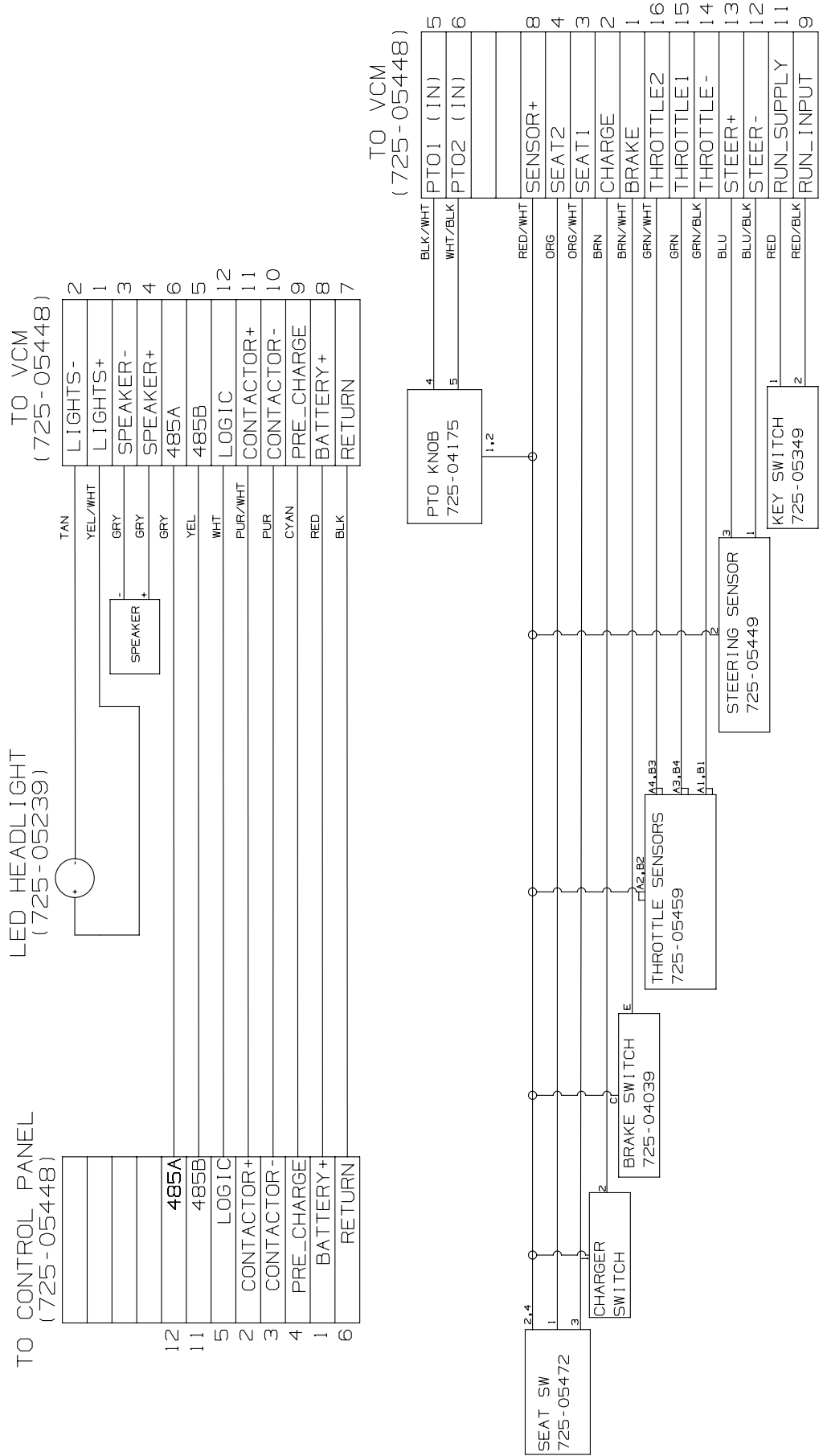
Ref.	Part Number	Description
1	703-08811	Battery Clamp
2	703-08821	Battery Tray, Front
3	703-08908	Battery Clamp, Front
4	710-04484	Hex Washer Screw, $\frac{5}{16}$ -18 x .750
5	710-0451	Carriage Bolt, $\frac{5}{16}$ -18 x .750
6	710-05455	Battery Hold Down Bolt, $\frac{3}{8}$ -16
7	710-0602	Hex Washer Screw, $\frac{5}{16}$ -18 x 1.000
8	712-04063	Flange Lock Nut, $\frac{5}{16}$ -18
9	712-04065	Flange Lock Nut, $\frac{3}{8}$ -16
10	725-05395	Battery, 12V
11	731-08896	Battery Tray
12	731-09016	Battery Terminal Cover
13	747-05723	Battery Hold Down Bolt, $\frac{3}{8}$ -16
14	925-05350	Battery Charger

# 42" Deck



Ref.	Part Number	Description
1	603-05050	42" Deck Assembly
2	683-05031	Deck Lift Bracket
3	703-09086	Deck Cover
4	710-0573	Hex Cap Screw, 5/16-18 x 1.25
5	710-0599	Hex Washer Screw, 1/4-20 x .500
6	710-1044	Hex Cap Screw 3/8-24 x 1.50
7	710-1260A	Hex Washer Head Screw, 5/16-18 x .75
8	712-04063	Flange Lock Nut, 5/16-18
9	712-04065	Flange Lock Nut, 3/8-16
10	917-04074	Deck Adjustment Gear
11	921-04041	Water Nozzle Adapter
12	924-04140	Deck Motor, 48V
13	731-07487	Deck Wash Nozzle
14	734-04155	Deck Ball Wheel, 5.0
15	736-0524B	Bell Blade Spacer
16	936-3004	Flat Washer, .406 x .875 x .105
17	738-04278	Shoulder Screw, .500 x 1/4-20
18	738-05003	Shoulder Screw, .375 x 2.5, 3/8-16
19	938-3056	Shoulder Screw, .5 x 2.5 x 3/8-16
20	942-04403	Blade, 21.18"
21	748-0376E	Blade Adapter
22	631-04288	Discharge Chute Assembly
23	710-3178	Carriage Screw, 3/8-16 x .75
24	712-0229	Push Nut, 3/8
25	711-04847B	Hinge Pin
26	732-04372	Torsion Spring
27	783-06074A	Chute Bracket

# Wiring Harness Schematic - 725-05441



777D18225



777D18224



777D18437



777D18229



777D17128



777D17338



777D17339



777D17141



777D18226



777D18227



777D18431



777D18436



777D18435



# Labels

777123791

**OPERATE PARK BRAKE:**

1. DEPRESS THE BRAKE PEDAL.
2. DEPRESS PARK BRAKE LOCK PEDAL.
3. RELEASE THE BRAKE PEDAL.

TO RELEASE, PRESS THE BRAKE PEDAL.

PARK BRAKE

LOCK PEDAL

PARK BRAKE

777125035

**Release Both Transmission Release Levers Before Towing or Moving Vehicle**

To Drive (Transmission Engage), Release Rod By Moving Rod To The Left And Release.

To Tow or Push (Transmission Disengage), Pull Out Towards The Right And Release. I25035

777S34209

**⚠ DANGER**

CONTACT WITH ROTATING BLADES WILL CAUSE SERIOUS INJURY OR DEATH

- DO NOT RUN WITH CHILDREN OR OTHERS ARE AROUND.
- NEVER CARRY CHILDREN OVER WITH BLADES OFF.
- LOCK DOWN AND REVERSE BEFORE AND WHILE BACKING. USE LOW SPEED.
- MOVING IN REVERSE IS NOT RECOMMENDED.

**⚠ WARNING**

TO AVOID SERIOUS INJURY OR DEATH

- PARKING DISengage AND FUNCTION OF ALL CONTROLS.
- REMOVE OBJECTS WHICH COULD BE THROWN BY THE BLADES.
- DO NOT CROSS SLOPES, HILL UP AND DOWN.
- DO NOT OPERATE ON SLOPES. DO NOT TOW HILLS GREATER THAN 15°. ALWAYS CARRY DOWN SLOPE AT LOW SPEED.
- DO NOT OPERATE MOWER WHEN IT COOL TO THE TOP.
- IF MOWER STOPS SLIDING UP, STOP BLADES AND BACK DOWN SLOWLY.
- BEFORE LEAVING OPERATOR'S POSITION, REENGAGE BLADES, ENGAGE PARKING BRAKE, SHUT OFF MOWER AND REMOVE KEY.
- BE SURE BLADES ARE STOPPED BEFORE PLACING HANDS ON FEET NEAR BLADES.
- KEEP SAFETY BARRIERS, SHIELDS, SWITCHES, ETC., IN PLACE AND WORKING.
- KEEP WEATHER GEAR.
- KEEP MOWER FREE OF DEBRIS.
- FOR USE ONLY WITH CHARGER NUMBER 7550000.

**⚠ CAUTION**

- FOR CONTINUED PROTECTION AGAINST RISK OF INJURY BY ELECTRIC SHOCK, DO NOT REPLACE REAR COVER PLEASE CALL QUALIFIED SERVICE PERSONNEL.
- TO REDUCE THE RISK OF INJURY ON ELECTRIC SHOCK DO NOT REMOVE COVER, NO USER SERVICEABLE PARTS. ONLY SERVICE TO QUALIFIED SERVICE PERSONNEL.

• READ OPERATOR'S MANUAL

777S34229

**⚠ WARNING**

**CARGO BOX LOAD CAPACITY: MAX 20 Lb.**

- Spread load evenly. Secure load to prevent movement.
- Go slow. Avoid sudden starts and stops which could cause load to shift.
- Do not load above box.

**To Avoid An Accident And Injury**

- Do not tow more than 250 Lb. rolling weight (i.e., trailer plus cargo).
- Spread load evenly. Never exceed 25 lb. tongue weight.
- Go slow and use extra care when towing. Allow for increased braking distance.
- Do not tow heavy loads on slopes over a 5° incline.

- Avoid Injury From Explosion. Do Not Place Gas Container Inside Cargo Box When Fueling.

**• DO NOT SIT OR STAND ON CARGO BOX.**

777123796

**Cub Cadet**

REVERSE CAUTION MODE

NO CHILDREN AROUND

REVERSE CAUTION MODE ON LIGHT

CRUISE CONTROL ON / OFF

BLADE BOOST

BLADE NORMAL

SYSTEM SETTINGS

LIGHTS ON / OFF

FLASHING MEASURING LEVEL

RIDER ON LIGHT

RIDER START / STOP

777123792

STORE RIDER IN COOL DRY AREA. RECHARGE RIDER AFTER EVERY USE FOR LONGEST BATTERY LIFE USE BLADE "NORMAL" POWER SETTING.

BRAKE PEDAL

PARK BRAKE LOCK PEDAL

FORWARD DRIVE PEDAL

REVERSE DRIVE PEDAL

BLADES PULL TO START PUSH TO STOP

ON

OFF

777X46344

**FOR SERVICE ONLY**

**USE ONLY BATTERY**

**PART # 725-05395**

X46344

777S34226

**⚠ DANGER**

**AVOID SERIOUS INJURY OR DEATH**

**KEEP HANDS AND FEET AWAY FROM ROTATING PARTS.**

**READ OPERATOR'S MANUAL. KEEP SAFETY DEVICES IN PLACE AND WORKING.**

S34226

777125034

1

2

3

4

5

6

7

8

LO

HI

777S33896

**⚠ DANGER**

**KEEP HANDS AND FEET AWAY. DO NOT OPERATE MOWER UNLESS CHUTE DEFLECTOR OR ENTIRE GRASS CATCHER IS IN ITS PROPER PLACE.**

**ASSEMBLE CHUTE DEFLECTOR TO THIS UNIT BEFORE OPERATING.**

777X45872

**Cub Cadet**

PART	PART NUMBER
42" BLADES	742-04403
42" MULCH BLADES	742-05005
MULCH KIT	19A70029100
HITCH KIT	N/A

**GENUINE Cub Cadet FACTORY PARTS**

www.cubcadet.com

X45872

Note: All electrical components on this tractor are not serviceable.

Please contact an authorized Cub Cadet dealer for any service needs.

777S34231

**⚠ WARNING**

**DO NOT USE CHARGER IN WET CONDITIONS**

**DO NOT RUN WITH CHARGER PLUGGED IN.**

777123793

**NO SERVICEABLE PARTS**









To order replacement parts, call a Customer Support Representative at (800) 965-4CUB.  
Locate your nearest Cub Cadet dealer at (877) 282-8684  
or visit [www.cubcadet.com](http://www.cubcadet.com) to find the nearest Cub Cadet dealer in your area.

---

**CUB CADET LLC, P.O. BOX 361131 CLEVELAND, OHIO 44136-0019**

---