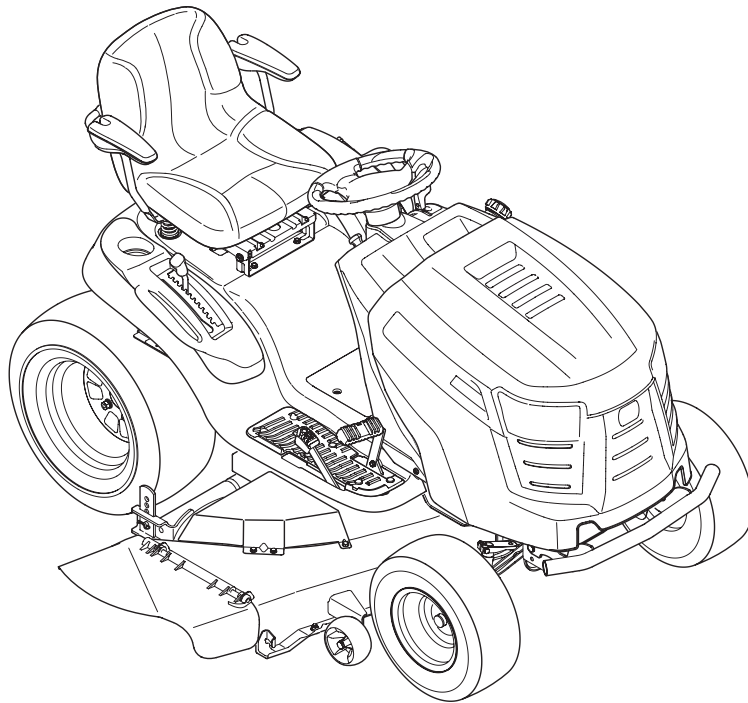

Cub Cadet[®]

ILLUSTRATED PARTS MANUAL



Hydrostatic Garden Tractor — GTX1054

CUB CADET LLC, P.O. BOX 361131 CLEVELAND, OHIO 44136-0019

To The Owner

Thank you for purchasing a Cub Cadet Garden Tractor. It was carefully engineered to provide excellent performance when properly operated and maintained.

All information in this manual is relative to the most recent product information available at the time of printing. Please be aware that this Illustrated Part's Manual may cover a range of product specifications for various models.

Components listed and/or illustrated in this manual may not be applicable to all models. We reserve the right to change product specifications, designs and equipment without notice and without incurring obligation.

Throughout this manual, all references to *right* (RH) and *left* (LH) are observed from the operating position.

Table of Contents

<i>Axle, Front</i>	4	<i>Hood</i>	10
<i>Battery</i>	6	<i>Deck Lift Handle/Linkage</i>	8
<i>Head Lamps</i>	10	<i>Labels</i>	21
<i>Mower Deck</i>	14	<i>Meter, Systems Indicator</i>	10
<i>Pedal Controls</i>	12	<i>Muffler</i>	16
<i>Dash Panel</i>	10	<i>PTO</i>	6
<i>Drive System</i>	12	<i>Seat</i>	8
<i>Electrical Schematic</i>	17	<i>Solenoid</i>	6
<i>Engine Accessories</i>	16	<i>Steering</i>	4
<i>Engine, Kohler SV740-3028</i>	22-37	<i>Throttle Control</i>	10
<i>Fender</i>	8	<i>Transmission, Hydrostatic</i>	18
<i>Frame</i>	6	<i>Wheels, Front & Rear</i>	3
<i>Fuel Tank</i>	10		

Record Product Information

To ease in ordering replacement parts, please locate the model plate on the equipment and record the information in the provided area to the right. You can locate the model plate by looking beneath the seat.

MODEL NUMBER

--	--	--	--	--	--	--	--	--	--	--

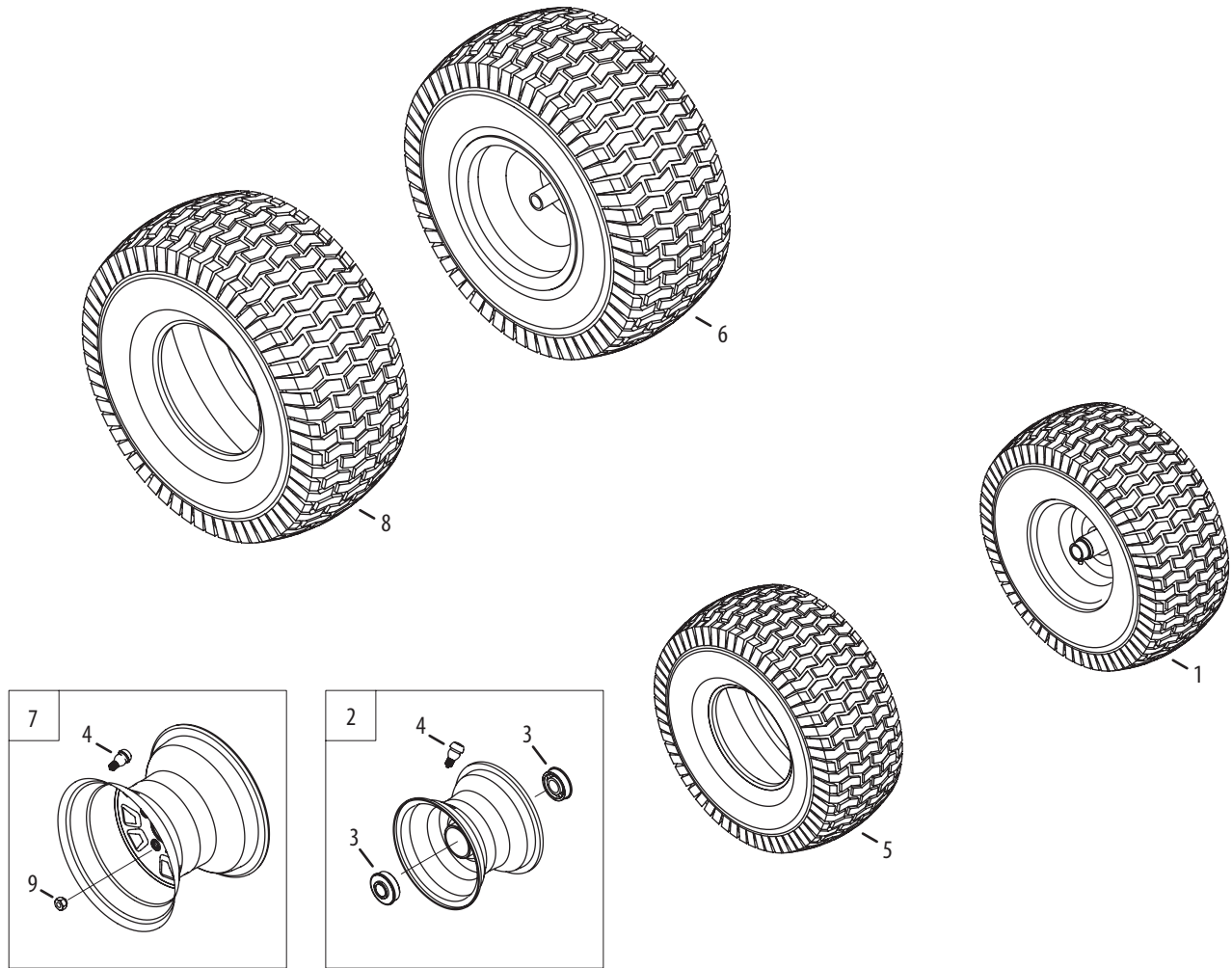
SERIAL NUMBER

--	--	--	--	--	--	--	--	--	--	--

Painted Parts

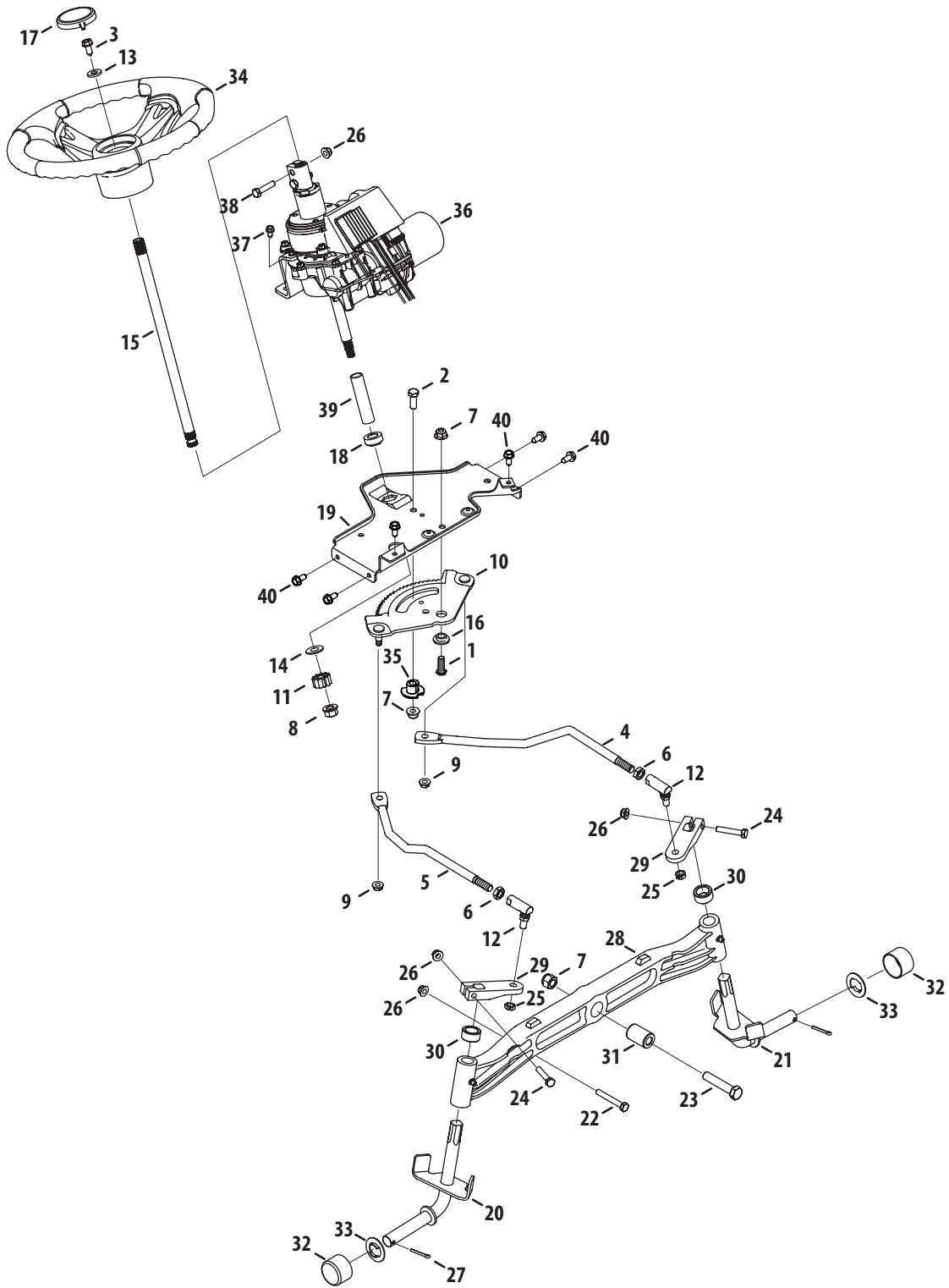
When ordering painted service parts, a four digit color suffix must be added to the part number (e.g. 783-XXXX-0637). Please refer to the table below for current color codes:

0637	Black	0685	Blue (Cub Cadet)
4021	Yellow (Cub Cadet)	0691	Black Jack (Cub Cadet Commercial)
0499	Beige (Cub Cadet)		



Ref.	Part Number	Description
1.	N/A	Wheel Ass'y, Complete, 16 x 6.5 x 8
2.	934-04090A-0499	Rim Ass'y, 8.0 x 5.38, Ball Bearings
3.	941-04137	Wheel Bearing, .75 x 1.75, Ball Brg.
4.	934-0255	Valve, Tubeless Air
5.	734-1727	Tire, 16 x 6.5 x 8 Sq Shoulder
6.	634-0202A-0931	Wheel, Complete, 23 x 10.5 x 12
7.	634-04238-0499	Rim Ass'y, 12.0 x 7.0
8.	734-04147-0901	Tire, 23 x 10.5 x 12 Sq Shoulder
9.	712-3050	Nut, Lug, 7/16-14

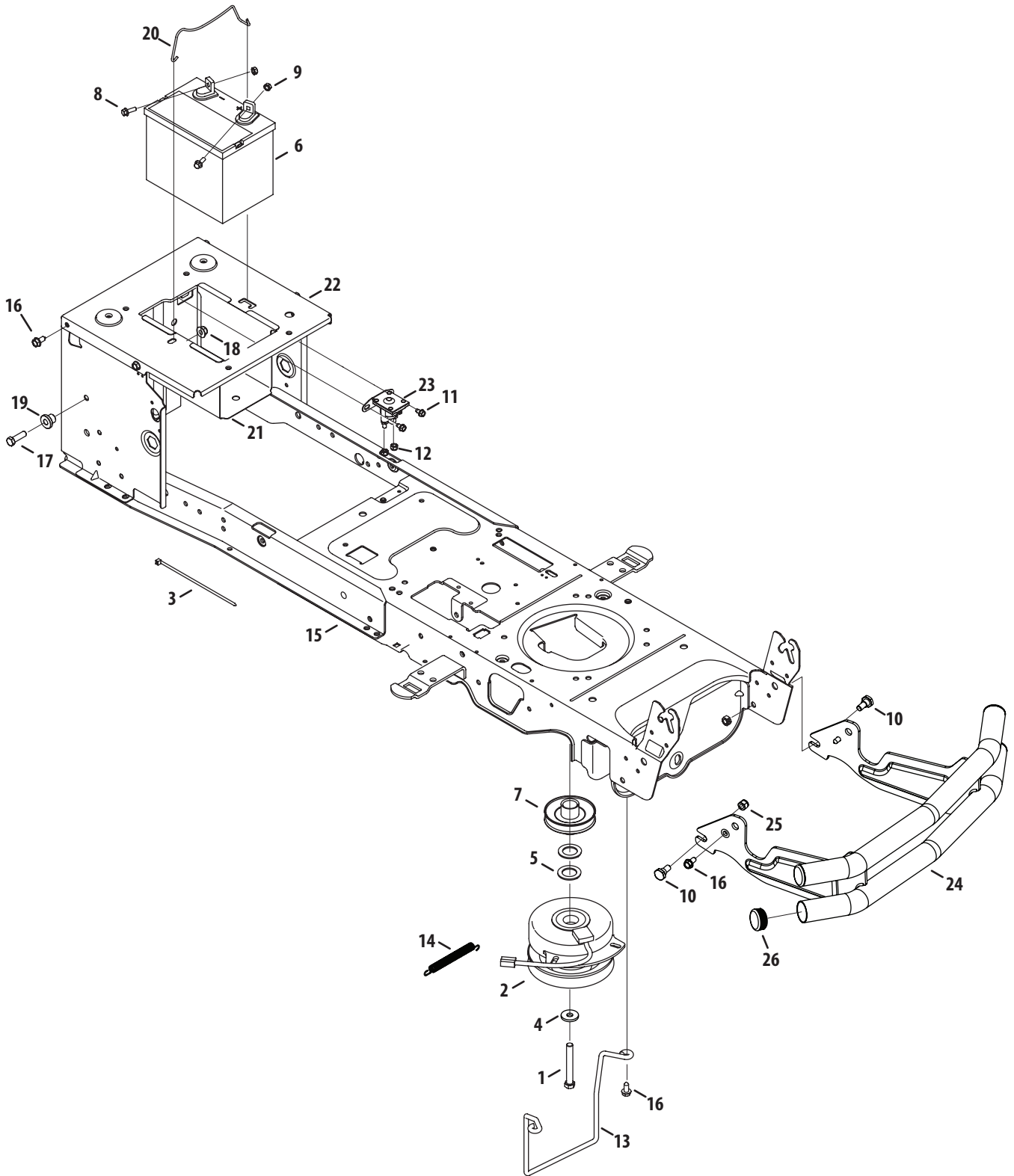
Steering w/ Power Steering



Steering w/ Power Steering

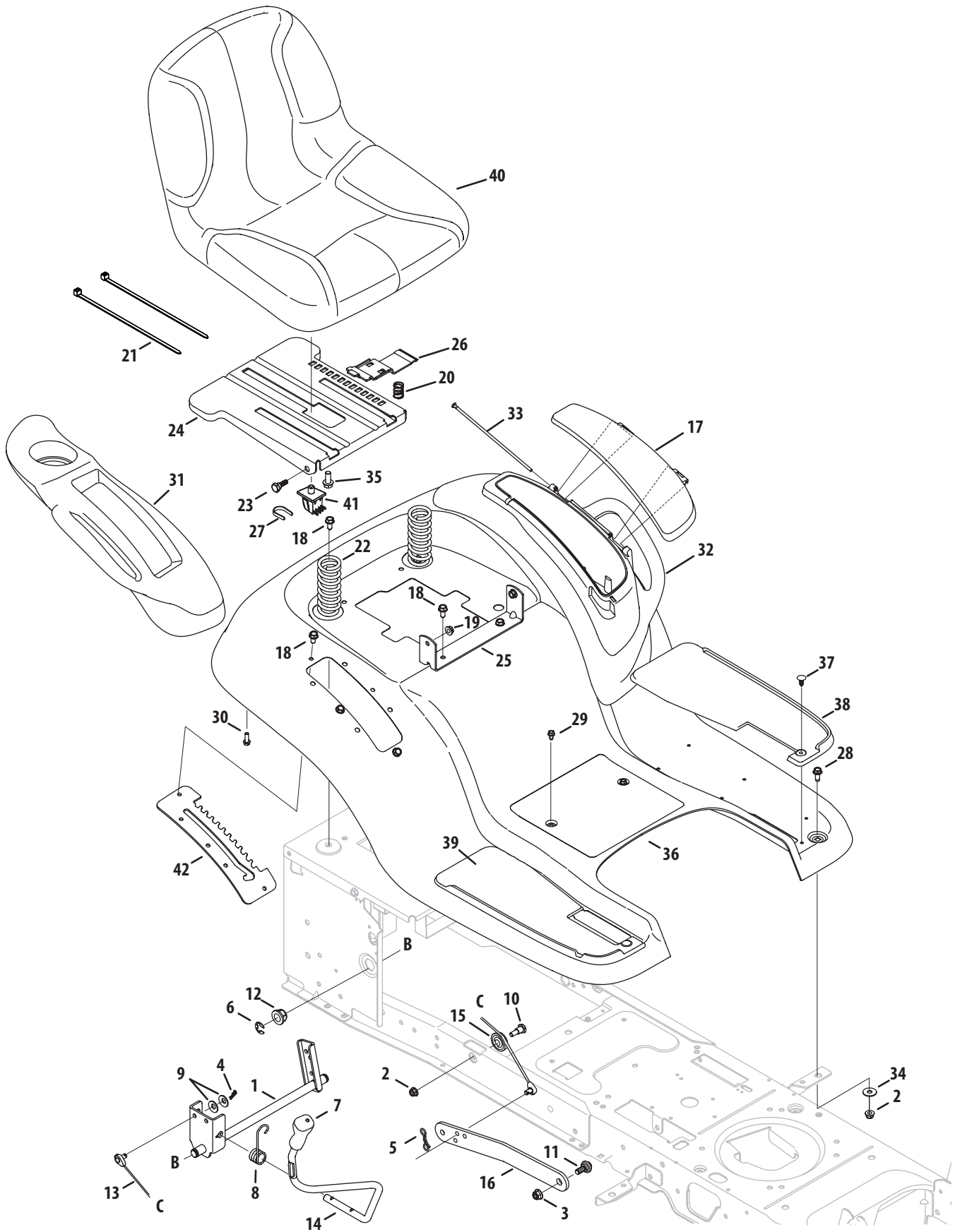
Ref.	Part Number	Description
1.	710-04095	Hex Screw, 3/8-16, 1.00, Gr5, Spec
2.	710-3005	Hex Screw, 3/8-16, 1.25, Gr5
3.	710-0650	Hex Screw, 5/16-18, .875, Gr5, Lock
4.	711-04998	Link, Drag LH
5.	711-04999	Link, Drag RH
6.	912-0240	Nut, Jam, 7/16-20, Gr2
7.	712-04065	Nut, Flange Lock, 3/8-16, Grf,
8.	712-0459	Nut, Flange Lock, 7/16-20, Grb, Lock
9.	712-3004A	Nut, Flange Lock, 5/16-18, Gr5, Sd Lk
10.	917-05003	Gear, Steering
11.	717-04943	Gear, Pinion, Steering
12.	923-0448A	Ball Joint, 7/16-20, Lock
13.	936-3004	Washer, Flat, .406 x .875 x .105
14.	736-3084	Washer, Flat, .51 x 1.12 x .06
15.	738-04421	Shaft, Steering, .625 OD x 14, Cub
16.	738-04363	Spacer, Shoulder, .385x 1.25 x .3025
17.	731-04039	Cover, Steering Wheel, Cub Cadet
18.	741-04237B	Bearing, Flange, Hex 5/8 Pm
19.	783-06043	Bracket, Support, Steering
20.	638-04036P	Axle Ass'y, RH .750 Dia.
21.	638-04037P	Axle Ass'y, LH .750 Dia.
22.	710-0395	Hex Screw, 5/16-18, 2.25, Gr5, Std
23.	710-0859	Hex Screw, 3/8-16, 2.50, Gr5, Std
24.	710-3180	Hex Screw, 5/16-18, 1.75, Gr5, Std
25.	912-0214	Nut, Hex Lock, 3/8-24, Grb
26.	712-04063	Nut, Flange Lock, 5/16-18, Grf
27.	714-0162	Pin, Cotter, 5/32, 1.25
28.	719-04413A	Axle, Pivot Bar, Cast
29.	748-04278	Steering, Block
30.	748-04068	Spacer, .71 ID x .125 OD x .56
31.	750-05280	Spacer, .385 x 1.00 x 1.5075
32.	931-3020	Hubcap
33.	736-0866	Flat Washer, .755 x 1.92 x .060
34.	631-04556	Wheel, Steering, 3 Spoke, Softgrip
35.	738-05024	Spacer, .38 x 1.375, Spec
36.	918-05084A	Transmission Assembly, EPS
37.	710-1652	Screw, Self-tapping, 1/4-20 x .625
38.	710-3083	Hex Screw, 5/16-18 x 1.375, Gr5, Std
39.	750-05402	Spacer, .625 x .750 x 3.11
40.	710-04484	Screw, Self-tapping, 5/16-18, .750,

Frame, Electrical and PTO



Ref.	Part Number	Description
1.	710-04379A	Hex Screw, 7/16-20, 3.50, Gr5, Lock
2.	917-05123	Clutch, Electric PTO, 54"
	725-06019	Clutch Harness Wire 11.625"
3.	725-0157	Cable, Tie, 3/16 X .05 X 7.4
4.	736-0322	Washer, Flat, .450 x 1.25 x .164
5.	736-0277	Washer, Flat, 1.031 X1.620 X.095
6.	925-1707D	Battery, 260CCA
7.	756-0978B	Engine Pulley, Electric PTO
8.	710-04666	Hex Flange Screw, 1/4-20, .75, Gr5
9.	712-0271	Nut, Sems, 1/4-20
10.	738-0143	Bolt, Shoulder, .496 x .336, 3/8-16
11.	710-0653	Screw, Self-tapping, 1/4-20, 0.375
12.	712-04064	Nut, Flange Lock, 1/4-20, Nylon
13.	747-05195	Rod, Keeper
14.	732-0814	Spr, Extn, .56 Dia X 5.52
15.	683-04469C	Frame Assembly, Lower
16.	710-04484	Screw, Self-tapping, 5/16-18, .750
17.	710-3005	Hex Screw, 3/8-16, 1.25, Gr5
18.	712-04065	Nut, Flange Lock, 3/8-16, Nylon
19.	738-04058	Spacer, Shoulder, .38 X 1.0 X .70
20.	747-04121A	Rod, Battery
21.	783-0349	Tray, Battery
22.	783-06089	Bracket, Frame, Seat
23.	725-04439	Solenoid, 12V, 100 Amp, 4 term
24.	683-04218	Bumper Assembly
25.	712-0130	Hex Lock Nut, 3/8-16
26.	731-05368	Cap, Bumper
—	925-05414	Harness Assembly, Main w/ Powersteering (Not Shown)
—	925-06035	Harness, Overvoltage w/ Powersteering (Not Shown)

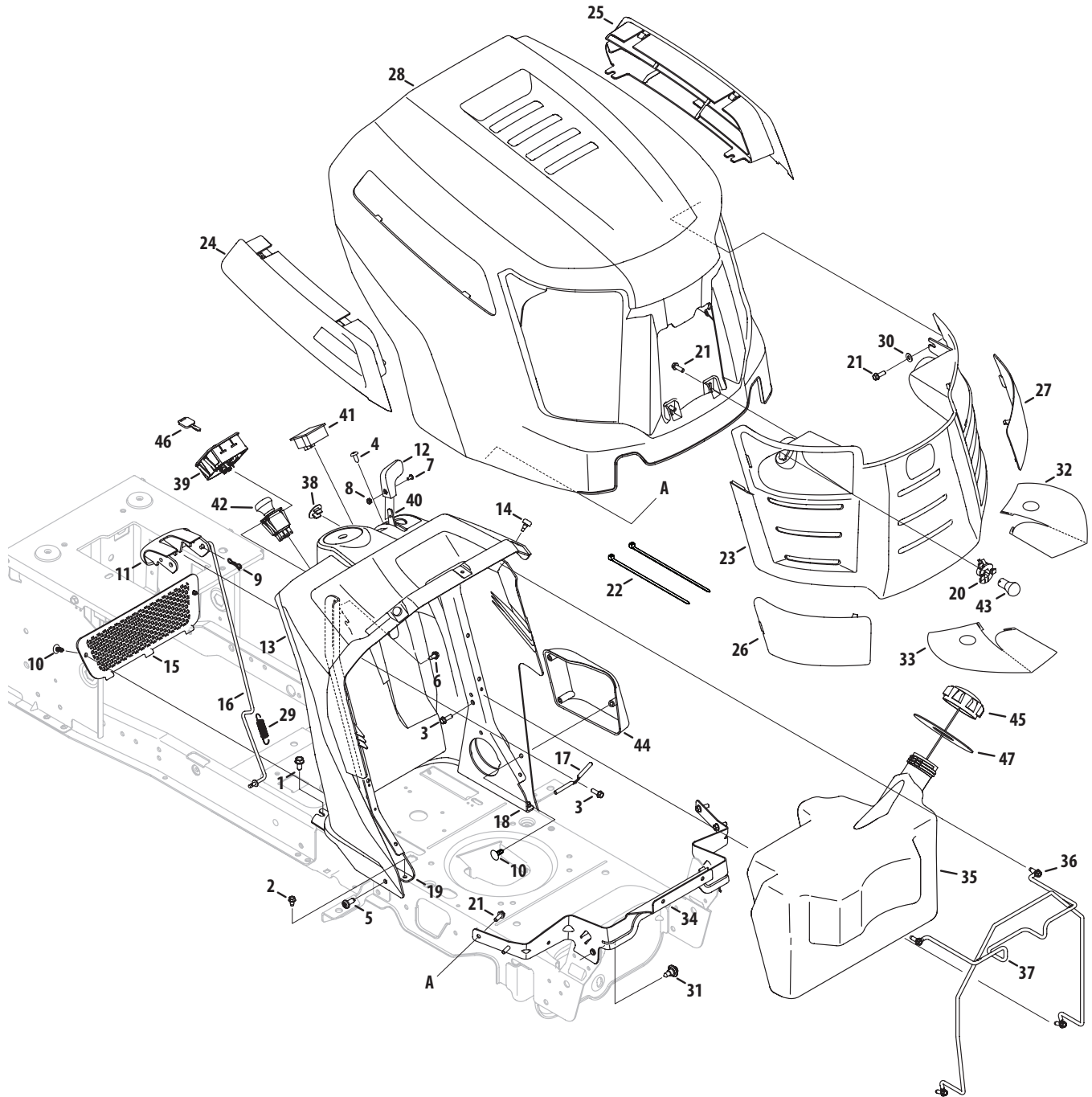
Seat, Fender and Lift



Seat, Fender and Lift

Ref.	Part Number	Description	Ref.	Part Number	Description
1.	683-04301	Shaft Ass'y, Lift	22.	732-04849	Spring, Compr, 1.50 x 3.90 x .200
2.	712-04063	Nut, Flange Lock, 5/16-18, Grf	23.	938-0296	Screw, Shoulder, .437 x .268, 5/16-18
3.	712-04065	Nut, Flange Lock, 3/8-16, Grf	24.	783-06049	Bracket, Mounting, Seat
4.	914-0104	Pin, Cotter, .072 Dia. x 1.13	25.	783-06088	Bracket, Pivot, Seat
5.	714-04040	Pin, Cotter, Bow-Tie 72	26.	783-06050	Lever, Seat Adjustment
6.	716-0106A	Ring, E Type, .625 Dia. Shaft	27.	783-06448	Clip, Retaining, Switch
7.	720-04139B	Grip, Handle, Cub, .50 ID	28.	710-1260A	Hex Screw, 5/16-18, .75, Gr5, Std
8.	732-0874	Spring, Torsion	29.	710-0599	Screw, Self-tapping, 1/4-20, 0.500,
9.	736-0105	Washer, Spring, .401 x .870 x .063	30.	710-0895	Screw, HL, 1/4-15, 0.750,
10.	738-0138A	Screw, Shoulder, .437 x .470, 5/16-18	31.	731-06700	Cover, Fender, RH
11.	938-0380	Bolt, Shoulder, .50, 3/8-16	32.	731-06676	Cover, Fender, LH
12.	941-0225	Bearing, Hex Flange	33.	747-05039	Pin, Door
13.	746-0968	Cable, Lift, 16.16	34.	736-3078	Washer, Flat .344 x 1.00 x .063
14.	747-04962A	Handle, Lift,	35.	710-04482	Hex Flange Screw, 3/8/16, .875, Gr5
15.	756-04331	Pulley, Roller, Cable	36.	783-06118	Fender, Cub Hydro
16.	783-05546A	Link, Lift	37.	726-3046	Clip, Ratchet, .250 Dia
17.	731-06584	Door, Cover, Fender	38.	735-04137	Pad, Foot, LH
18.	710-04484	Screw, Self-tapping, 5/16-18, .750,	39.	735-04139	Pad, Foot, RH
19.	712-3004A	Nut, Flange Lock, 5/16-18, Gr5, Sd Lk	40.	757-04091	Seat, High Back Cloth, Cub
20.	732-04563	Spring, Compr', .68 x 1.065 x .055	41.	925-05013	Switch, Seat
21.	725-0157	Cable, Tie, 3/16 x .05 x 7.4	42.	783-06181	Bracket, Lift

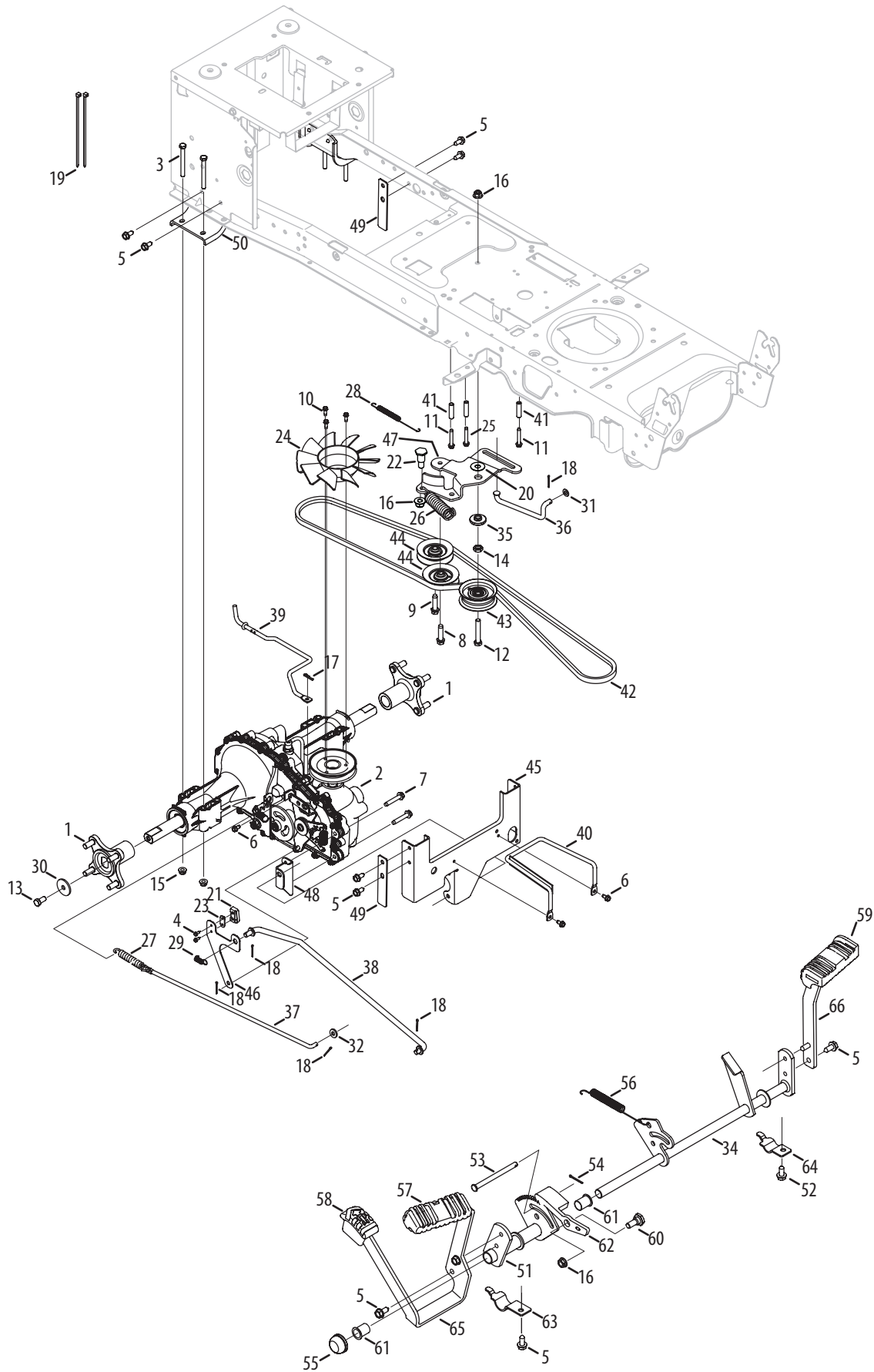
Fuel Tank, Hood and Dash



Fuel Tank, Hood and Dash

Ref.	Part Number	Description	Ref.	Part Number	Description
1.	710-04484	Screw, Self-tapping, 5/16-18, .750	25.	931-06543B	Scoop, Hood, LH A-Style
2.	710-0599	Screw, Self-tapping, 1/4-20, 0.500	26.	931-06558	Lens, Hood, RH A-Style
3.	710-0895	Screw, HL, 1/4-15, 0.750	27.	931-06559	Lens, Hood, LH A-Style
4.	710-1017	Screw, Ab, 1/4-14, 0.625,	28.	931-06634	Hood, A-Style
5.	710-1611B	Screw, Self-tapping, 5/16-18, 0.750,	29.	732-04580	Spring, .500 Dia. x 2.733
6.	710-1652	Screw, Self-tapping, 1/4-20 x .625	30.	936-3020	Washer, Flat, .271, .630, .065
7.	710-3217	Screw, Mach, #8-32, 0.375	31.	738-04091A	Screw, Shoulder, .43x.29, 5/16-18
8.	712-0142	Nut, Hex, #8-32	32.	777X44055	Reflector, Cub A Style, LH
9.	714-04040	Pin, Cotter, Bow-Tie 72	33.	777X44056	Reflector, Cub A Style, RH
10.	726-3046	Clip, Ratchet, .250 Dia	34.	783-06114	Bracket, Pivot, Hood A-Style
11.	731-05447A	Lever, Dash, Cruise/Brake	35.	751-10879B	Tank, Fuel, 3.75 Gal.
12.	731-06593	Knob, Throttle	36.	710-1652	Screw, Self-tapping, 1/4-20, .625
13.	931-07911	Dash Panel, A-Style	37.	747-05040A	Rod, Support, Fuel Tank
14.	735-0271A	Bumper, .62 Dia X .3	38.	731-1999	Plug, Choke
15.	735-04076	Net	39.	925-04230B	Key Switch
16.	747-05009B	Rod, Control, Latch Cub	40.	946-04556	Cable, Throttle/Choke, 38"
17.	747-1196	Rod, Lever, Bent	41.	925-04022B	Meter, Indicator
18.	783-06792	Support, Dash, Plate LH	42.	725-04258	Switch, Electric PTO, Yellow
19.	783-06793	Support, Dash, Plate RH	43.	925-0963	Lamp, 12v
20.	925-1649	Socket, Lamp	44.	731-07759	Cover, Power Steering Motor
21.	710-05108	Screw, 1/4 Dia, .750	45.	751-0603A	Cap, Fuel
22.	926-0154	Tie, Cable, Push Mount 7.5 Lg	46.	925-2054A	Key, Ignition
23.	931-04322	Grille Ass'y (Incl. 26, 27, 32 & 33)	47.	735-04170	Gasket, Fuel Tank
24.	931-06542B	Scoop, Hood, RH A-Style	—	725-05113	Switch, Plunger, Snap Fit

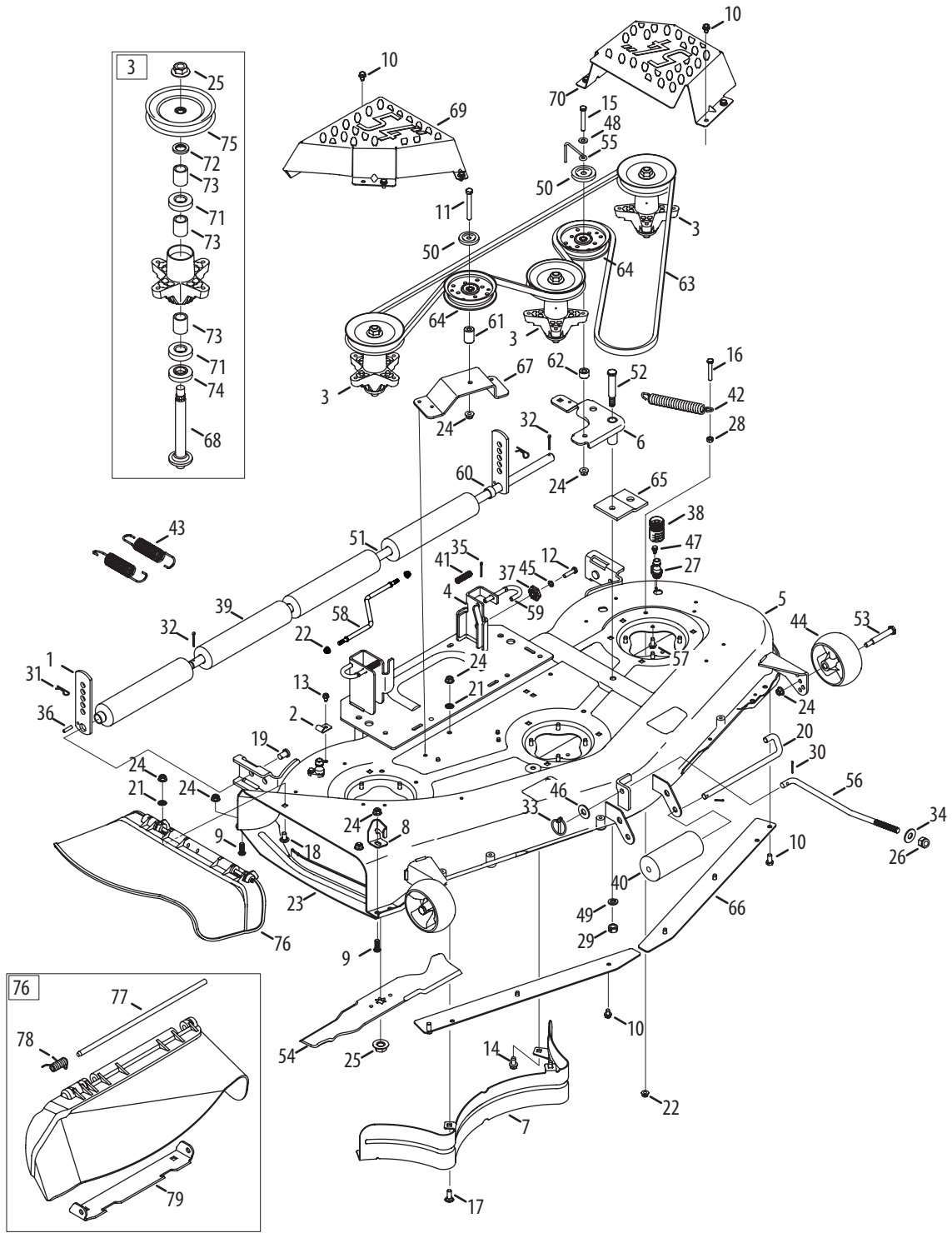
Drive System



Ref.	Part Number	Description
1.	918-04317	Wheel Assembly Hub
2.	918-04917	Transmission
3.	710-0189	Hex Screw, 5/16-18:3.00
4.	710-0227	Screw, #8-18:0.500
5.	710-04484	Taptite Screw, 5/16-18:.750
6.	710-0599	Taptite Screw, 1/4-20:0.500
7.	710-0909A	Taptite Screw, 5/16-18:1.750
8.	710-1007	Taptite Sems Screw, 3/8-16:1.500
9.	710-1008	Taptite Sems Screw, 3/8-16:1.875
10.	710-1189	Screw, #12-24:0.625
11.	710-1325	Taptite Screw, 1/4-20:1.625
12.	710-3011	Hex Screw, 3/8-16:2.25
13.	710-3119	Hex Screw, 3/8-16:.750
14.	912-0240	Jam Nut, 7/16-20
15.	712-04063	Flangelock Nut, 5/16-18
16.	712-04065	Flangelock Nut, 3/8-16
17.	914-0104	Cotter Pin, .072 DIA. x 1.13 LG
18.	914-0111	Cotter Pin, 3/32:1.0
19.	725-0157	Cable Tie, 3/16 x .05 x 7.4
20.	738-0430	Scr, Shldr, .50 x .685 3/8-16
21.	725-1644	Short Spring Switch
22.	936-0344	Washer, Flat, .385 x 1.0 x .030
23.	926-0320	Insulator Nut Plate
24.	931-1449A	Blade Fan
25.	710-1026	Taptite Screw, 1/4-20:1.75
26.	732-04792	Extension Spring, 1.00 DIA x 4.75
27.	732-0716D	Extension Spring, .59 OD x 4.00 LG
28.	732-0932	Extension Spring, .38 DIA x 5.6
29.	732-3118	Extension Spring, .375 OD x 1.44 LG
30.	936-0227	Flat Washer, .390 x 1.500 x .134
31.	936-0264	Flat Washer, .330 x .630 x .0635
32.	936-3008	Flat Washer, .344 x .750 x .120
33.	736-3010	Flat Washer, .407 x .812 x .135

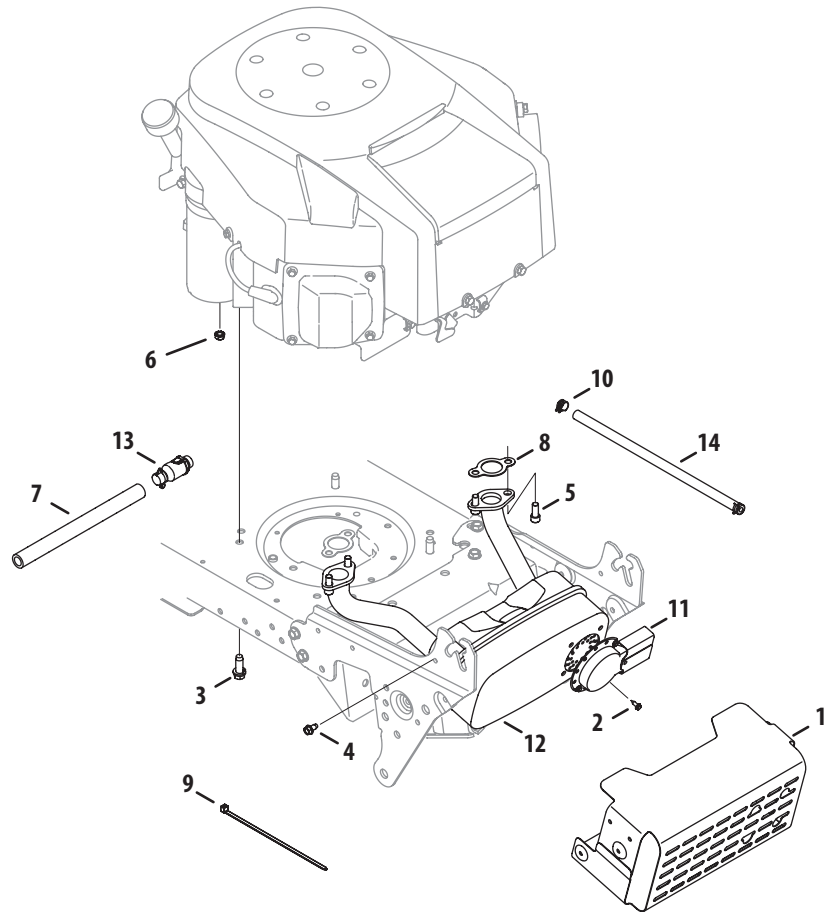
Ref.	Part Number	Description
34.	647-04152D	Brake Control Assembly
35.	738-04420	Shoulder Spacer, 1.375 x .380 x .183
36.	747-04957A	Footpedal Bypass Transmission Rod
37.	747-05124	Brake Rod
38.	747-05125A	Control Rod
39.	747-05130	Disengage Rod
40.	747-05181	Belt Keeper, 5/16
41.	750-04456	Spacer, 260 x .372 x 1.420 LG
42.	954-04244A	V Belt, 4L x 77.0
43.	756-04224	Flat Idler Pulley, 2.75 OD
44.	756-04325	V Idler Pulley, 3.06
45.	783-05443A	Torque Bracket
46.	783-05841A	Switch Bracket
47.	783-06027B	Center Idler Bracket
48.	783-06501A	Deck Bracket
49.	783-06503	Plate Bracket
50.	783-0693A	Axle Bracket
51.	683-04571	Hydro Pedal Bracket Assembly
52.	710-0604A	Taptite Screw, 5/16-18:0.625
53.	711-05068A	Clevis Pin, 5/16 x 3.985
54.	714-04040	Bow-Tie Cotter Pin
55.	726-0214	Push Cap
56.	732-04587	Extension Spring, .63 DIA x 4.95 LG
57.	735-04118A	Pad, Pedal, Forward
58.	735-04135	Pad, Pedal, Reverse
59.	735-04136	Pad, Pedal, Brake
60.	938-0380	Shoulder Bolt, .500 x .270:3/8-16
61.	741-0495	Flange Bearing, .630 ID x .695 OD x .60
62.	748-04203	Cruise Latch
63.	783-05914	Pedal Support Bracket
64.	783-05940	Pedal Support Bracket, 5/8
65.	783-06059	Bracket, Pedal, Drive Hydro
66.	783-06103A	Brake Pedal Bracket

54-inch Deck



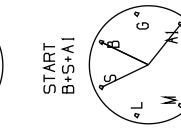
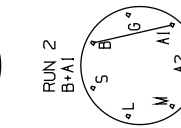
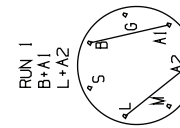
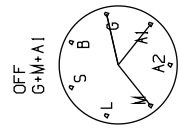
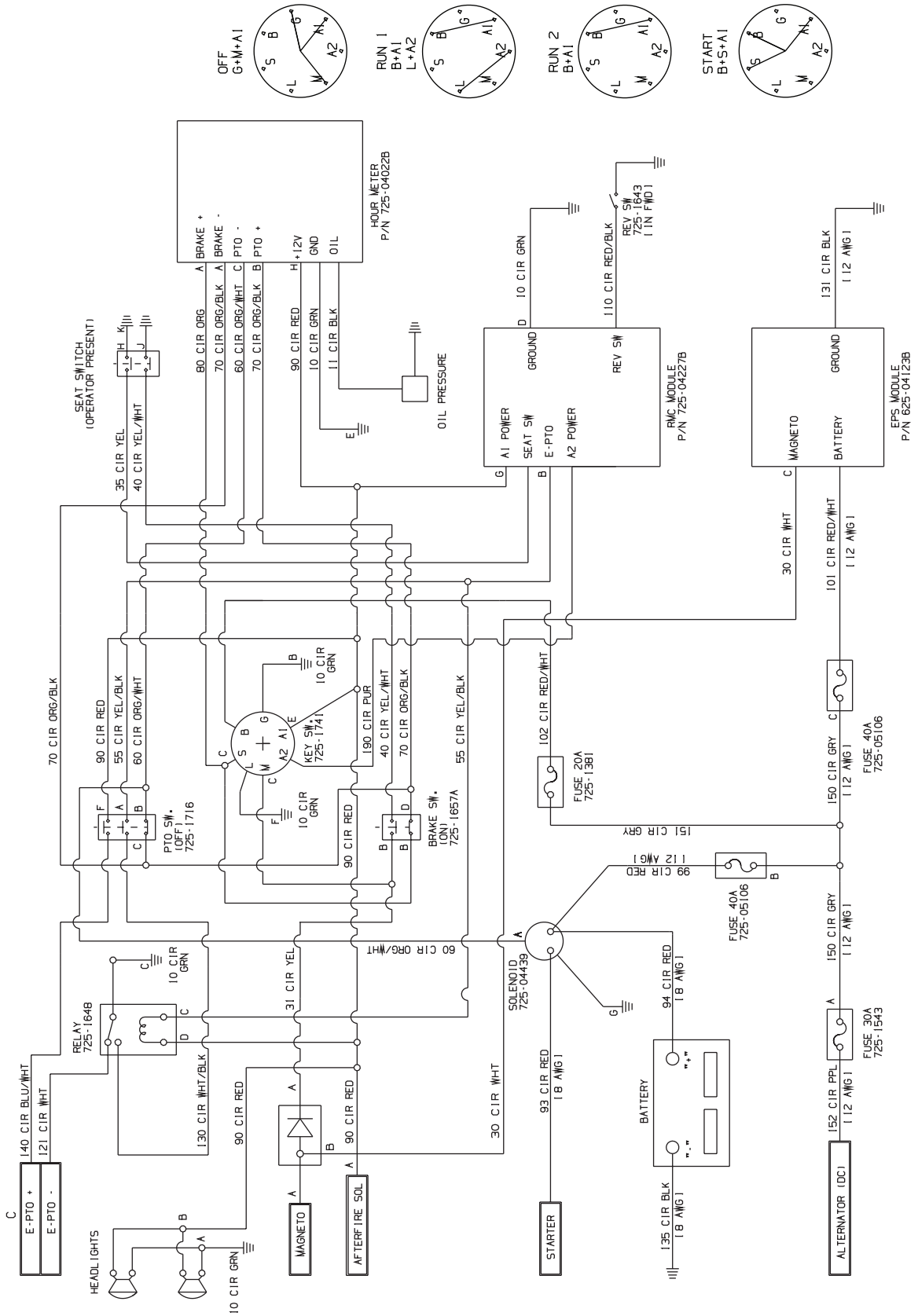
Ref.	Part Number	Description	Ref.	Part Number	Description
1.	12650	Height Adjust Bracket	41.	732-04652	Compression Spring, .535 OD x 1.751 LG
2.	96606	Retainer Hook Bracket	42.	732-04692	Extension Spring, .85 OD x 5.915 LG
3.	918-04608A	Spindle Assembly	43.	732-0934	Extension Spring, 1.15 OD x 5.99 LG
4.	683-0254B	Deck Hanger Bracket Assembly	44.	734-04155	Deck Wheel
5.	983-04652A	Deck Assembly	45.	936-0119	Lock Washer, 5/16
6.	683-0459	Idler Assembly	46.	936-0179	Flat Washer, .531 x 1.25 x .100
7.	703-2093C	Inner Baffle	47.	738-04278	Shoulder Screw, 1/4-20 x 0.50
8.	703-3279	Deflector Chute Stop	48.	936-0300	Flat Washer, .406 x .875 x .059
9.	710-04095	Hex Screw, 3/8-16 x 1.00	49.	936-0921	Lock Washer, 1/2
10.	710-04484	Taptite Screw, 5/16-18 x .750	50.	783-07236	Pulley Cap
11.	710-0521	Hex Screw, 3/8-16 x 3.00	51.	738-0295	Shaft, .750 x .4712
12.	710-0528	Hex Screw, 5/16-18 x 1.25	52.	738-1229A	Shield Screw, .625 x 2.50:1/2-13
13.	710-0599	Hex Screw, 1/4-20 x .500	53.	938-3056	Shoulder Bolt, .496 x 2.50:3/8-16
14.	710-0623	Taptite Screw, 3/8-16 x 0.750	54.	942-0677B	Blade
15.	710-0859	Hex Screw, 3/8-16 x 2.50	55.	747-04938	Belt Keeper Rod
16.	710-3103	Hex Screw, 5/16-18 x 2.00	56.	747-05141A	Deck Lift Rod
17.	710-3168	Carriage Bolt, 3/8-16 x 1.00	57.	710-1260A	Hex Screw, 5/16-18, .75, Gr5, Std
18.	710-3178	Carriage Bolt, 3/8-16 x 0.75	58.	747-05462	Deck Sway Rod
19.	911-0332	Clevis Pin, .50 DIA x .78 LG	59.	747-1116	Deck Release Handle Rod
20.	911-3314	Roller Pin, 1/2 DIA x 7.31 LG	60.	950-0212	Spacer, .82 ID x 1.00 OD x .53
21.	712-0229	Push Nut, 3/8	61.	750-04597	Spacer, .380 x .900 x 1.313
22.	712-04063	Flangelock Nut, 5/16-18	62.	750-0933	Spacer, .385 ID x .88 x .64
23.	703-3511B	Finger Guard	63.	954-04083	V Belt
24.	712-04065	Flangelock Nut, 3/8-16	64.	756-04129B	Idler Pulley, 4.25"DIA
25.	712-0417A	Flange Nut, 5/8-18	65.	783-04013A	Pulley Stabilizer Bracket
26.	712-04243	Flexlock Nut, 1/2-13	66.	783-04690B	Deck Skirt
27.	731-07487	Deck Wash Nozzle	67.	783-04726	Stationary Idler Bracket
28.	912-3010	Hex Nut, 5/16-18	68.	738-1197	Spindle Shaft, 6.95 LG
29.	712-3022	Hexlock Nut, Counterlock, 1/2-13	69.	783-1470A	RH Spindle Cover
30.	914-0111	Cotter Pin, 3/32 x 1.0	70.	783-1471A	LH Spindle Cover
31.	914-0145	Click Pin, .092 x 1.64 LG	71.	941-0919A	Ball Bearing, .787 ID x 1.85 OD x .551
32.	714-0162	Cotter Pin, 5/32 x 1.25	72.	748-0160A	Spacer, .790 ID x 1.25 OD x .175
33.	753-04070	Lynch Pin, .1875	73.	750-1000	Spacer, .80 x 1.10 x 1.322 LG
34.	736-0317	Washer, .630 x 1.25 x .180	74.	750-1349A	Spacer, .79 x 1.82 x .55 LG
35.	914-0470	Cotter Pin, 1/8 x 1.25	75.	756-04216	Deck Pulley
36.	715-0108	Spring Pin, 1/4 DIA x 1.00 LG	76.	631-04092B	Chute Assembly
37.	917-04074	Deck Gear	77.	711-04565	Hinge Pin
38.	921-04041	Water Nozzle Adaptor	78.	732-04372	Torsion Spring, .44 ID x 2.0
39.	731-0335	Deck Roller	79.	783-05030	Chute Bracket
40.	731-05679	Front Roller			

Engine Accessories

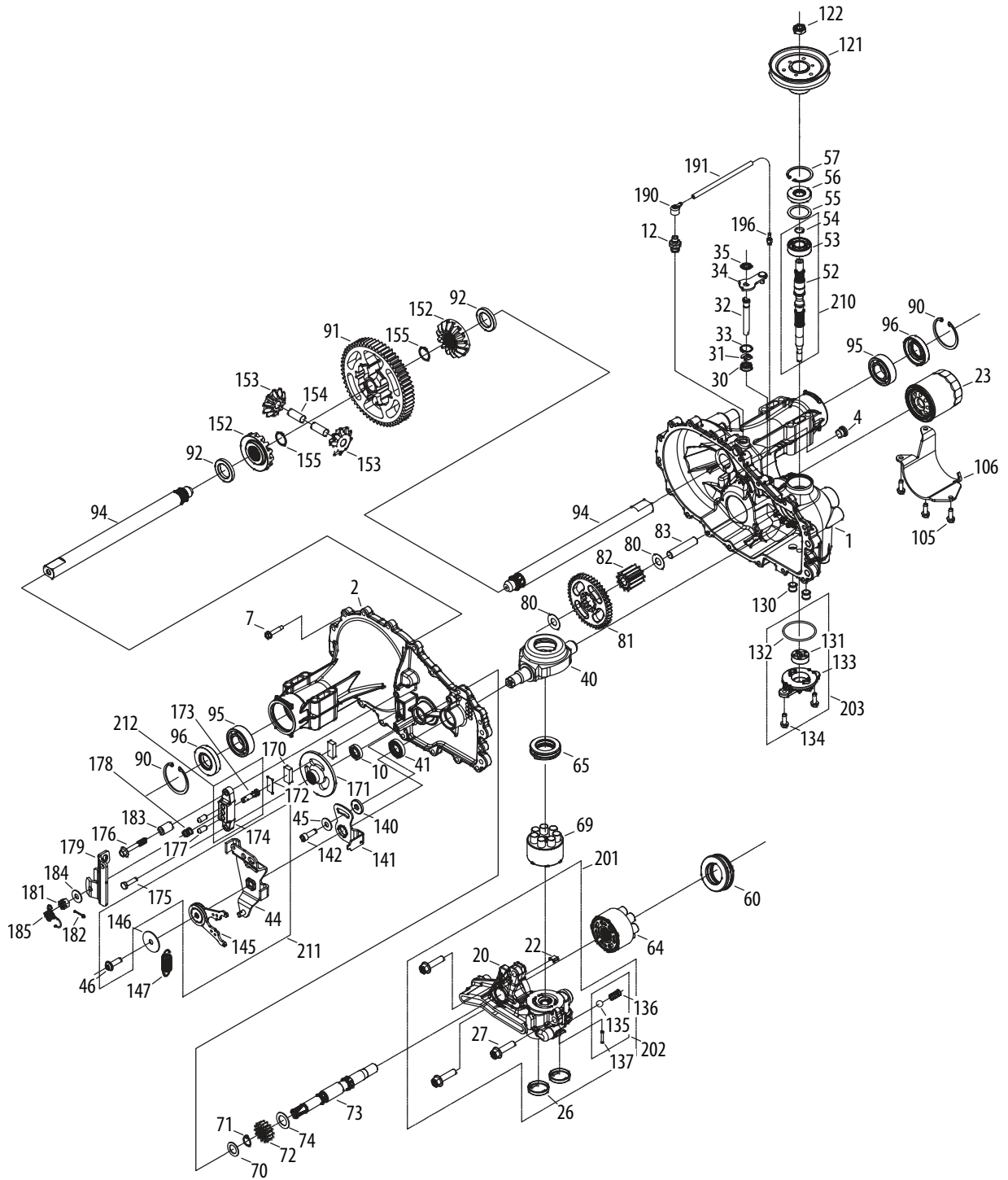


Ref.	Part Number	Description
1	683-04549	Shield Ass'y, Muffler
2	710-0227	Screw, Ab, #8-18, 0.500,
3	710-04683A	Screw, Self-tapping, 3/8-16, 1.000,
4	710-0599	Screw, Self-tapping, 1/4-20, 0.500,
5	710-1314A	Screw, Socket Head, 5/16-18, .750
6	712-0271	Nut, Sems, 1/4-20
7	751-3141-14	Hose, Extension, Oil Drain
8	KH-24-041-49-S	Gasket, Exhaust,Kohler
9	725-0157	Cable, Tie, 3/16 x .05 x 7.4
10	726-0205	Clamp, Hose, .490 Dia.
11	751-11053A	Long Muffler Deflector
12	751-10528A	Muffler, Kohler Twin
13	951-10517A	Drain, Oil
14	751-10349	Hose, Fuel, Low Permeation, 1/4

Electrical Schematic



Hydro-Gear Transmission



Hydro-Gear Transmission

Ref. No.	Part No.	Description
1	HG-71629	Kit, Housing, Main Housing, Main Pin, Standard Headless Bushing, .624 x .719 x .562 Bushing, .865 x .985 x .790 Bearing, Flange 1.0 x 1.376 x .99
2	HG-71630	Kit, Housing, Side Housing, Side Bushing, .624 x .729 x .562 Bushing, .865 x .985 x .790 Bearing, Flange 1.0 x 1.376 x .99
4	HG-9005110-5600	Plug, 9/16-18 (Metal)
7	HG-53246	HFHCS 1/4-20 x 1.25
10	HG-70719	Seal, Lip .625 x 1.0
12	HG-52558	Assembly, Fitting, Metal
13	HG-50928	Gasket Material (Not Shown)
22	HG-51448	Plate, Bypass
23	HG-52114P	Filter, Oil
26	HG-52162	Seal, Plug 1.250 x .250
27	HG-52137	HFHCS 3/8-16 x 1.5 (Patch)
30	HG-51626	Seal, Lip .375 x .75 x .25
31	HG-51628	Ring, Retaining .375 External
32	HG-52136	Rod, Bypass
33	HG-51627	Ring, Retaining .750 Internal
34	HG-51910	Arm, Bypass
35	HG-51630	Ring, Retaining .375 Internal
40	HG-51048	Trunnion, Swashplate
41	HG-51140	Seal, Lip 18 x 32 x 7
45	736-0371	Washer, .24 x .88 x .05
46	HG-51812	TWHCS 5.16-24 x 1.00 (Patch)
55	HG-50951	Washer, 1.23 x 1.56 x .04
56	HG-51161	Seal, Lip 17 x 40 x 17
57	HG-50329	Ring, Retaining 1.575 Internal
60	HG-51462	Bearing, Thrust
64	HG-70735	Assembly, Cylinder Block, 16cc
65	HG-50551P	Bearing, Thrust Ball 30 x 52 x 13
69	HG-70723	Assembly, Block 7 Piston
70	HG-44371	Washer, .63 x 1.0 x .05
71	HG-44145	Ring, Retaining .625 External

Ref. No.	Part No.	Description
72	HG-52109	Gear, 14T
73	HG-52585	Shaft, Motor
74	HG-51069	Washer, .72 x 1.16 x .04
80	HG-50132	Washer, .5 x 1.0 x .03
81	HG-52110	Gear, 45T
82	HG-52583	Gear, 11T
83	HG-51083	Pin, Jackshaft
90	HG-50859	Ring, Retaining 2.06 Internal
91	HG-52577	Gear, 60T
92	HG-51939	Spacer, 1.04 x 1.65 x .22
94	HG-53547	Shaft, Axle 1.00 x 13.37, DD
95	HG-53656	Bearing, Ball 1.0 x 52 x 15
96	HG-53699	Seal, Lip 25 x 52 x 10 TC (Gray)
105	HG-50752	HFHCS 1/4-20 x .75
106	HG-52247	Guard, Filter, LH
121	HG-51585	Pulley, 4.0"
122	912-0346	Hex Lock Nut 1/2-20 (Nylon Insert)
123	HG-51076	Screw Hex 1/4-20 x .875
130	HG-52157	Tube, Connecting
140	HG-52527	Spacer, .320 x 1.005 x .179
141	HG-52921	Assembly, RTN, Neutral Arm
142	HG-71341	SHCS 5/16-24 x 1 Patch
146	HG-51950	Washer, .343 x 1.500 x .062
147	HG-51605	Spring, Extension RTN - 44 LBS
152	HG-52599	Gear, Bevel 14T Spline ID
153	HG-52600	Gear, Bevel 10T
154	HG-52608	Pin, .499 x 1.20
155	HG-52531	Ring, Spiral Retaining - 87
170	917-0678	Puck, Brake
171	HG-52582	Rotor, Brake
172	917-0682	Plate, Puck
175	HG-44433	Bolt, Hex Head 1/4-20 x 1 w/ Patch
176	HG-51146	Bolt, Hex Head 1/4-20 x 2 w/ Patch
177	941-0343	Pin, Brk .31 x .73 Plated
178	HG-50919	Spring, Comp Brake Anti-Drag
179	HG-50911	Arm, Brake
181	912-0273	Nut, Castle 5/16-24 PL
182	914-0507	Pin, Cotter 3/32 x 3/4
183	HG-23711	Spacer, .26 x .57 x .87

Hydro-Gear Transmission

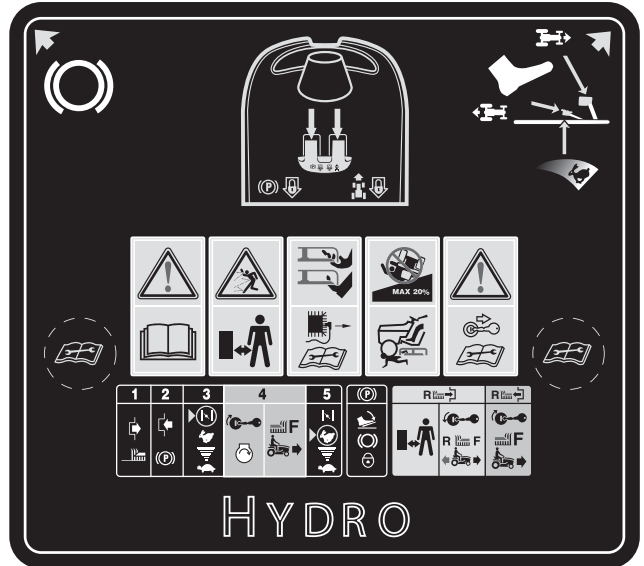
Ref. No.	Part No.	Description
184	736-0371	Washer, .27 x .88 x .12
185	HG-50884	Spring, Brake Arm Bias
190	HG-51687	Cap, Barbed
191	HG-52474	Hose, .28 x .15 x 10.00
196	HG-52922	Fitting, Barbed
200	HG-71632	Kit, Seal (Not Shown)
006		Pin, Standard Headless
010		Seal, Lip .625 x 1.0
026		Seal, Plug 1.250 x .250
030		Seal, Lip .375 x .75 x .25
031		Ring, Ret .375 External
033		Ring, Ret .750 Internal
035		Ring, Ret .375 External
041		Seal, Lip 18 x 32 x 7
046		TWHCS 5.16-24 x 1.00 (Patch)
054		Ring, Ret Wire .561 ID
056		Seal, Lip 17 x 40 x 7
057		Ring, Ret 1.575 Internal
071		Ring, Ret .625 x External
090		Ring, Ret .206 Internal
096		Seal, Lip 25 x 52 x 10 TC (Gray)
130		Tube, Connecting
132		O-Ring - 137, .103 x 2.050
155		Ring, Sprial Ret .875
201	HG-71639	Kit, Center Section, LH, CHRG
020	—	Center Section, LH, CHRG
022	HG-51448	Plate, Bypass
024	HG-50564	Check Plug
025	HG-50564	Check Plug
026	HG-52162	Seal, Plug 1.250 x .250
027	HG-52137	HFHCS 3/8-16 x 1.5 (Patch)
028	HG-2003071	Brg, Jrnl
135	HG-9001214-4400	Ball, Steel 7/16"
136	HG-51157	Spring, Relief .42 x .75
137	HG-51805	Pin, Spring .125 x .875
202	HG-71436	Kit, Charge Relief
135	HG-9001214-4400	Ball, Steel 7/16"
136	HG-51157	Spring, Relief .42 x .75
137	HG-51805	Pin, Spring .125 x .875

Ref. No.	Part No.	Description
203	HG-72274	Kit, Charge
131	HG-50273	Gerorter Assembly (1.9cc/REV)
132	HG-52250	O-Ring - 137, .103 x 2.050
133	HG-53738	Cover, Charge Pump
134	HG-52768	Screw, Pan Head 1/4-20 x .75
210	HG-71442	Kit, Input Shaft
052	HG-52155	Shaft, Input
053	HG-50315	Brg, Ball 17 x 40 x 12 Open 6203
054	HG-2000022	Ring, Ret Wire .561 ID
211	HG-71827	Kit, RTN Bidirectional
044	—	Arm, Control
046	HG-51812	Screw 5/16-24 x 1.00 (Patch)
145	—	Assembly, RTN Bidirectional
212	HG-70633	Kit, Brake-Yoke
173	N/A	Bolt, Square Head
174	HG-50879	Brake Yoke

777D15338



777S33913



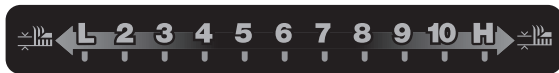
777D15407



777D16298



777I23363



777D15269



777D15268



777I23348



777D15468



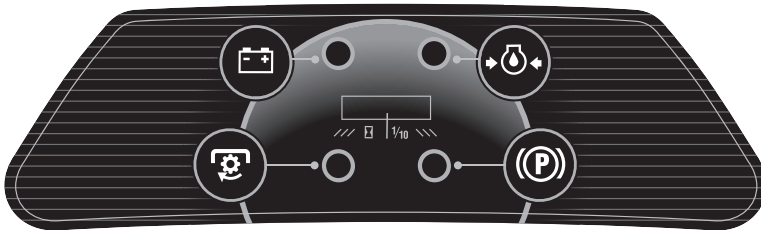
777X45654



777D15402



777I23362



777I23361



777D16895



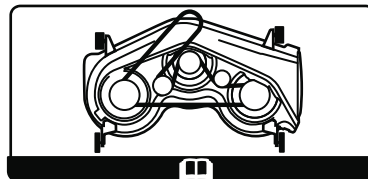
777D16894



777S32356



777I22265



777X40182



777I23133



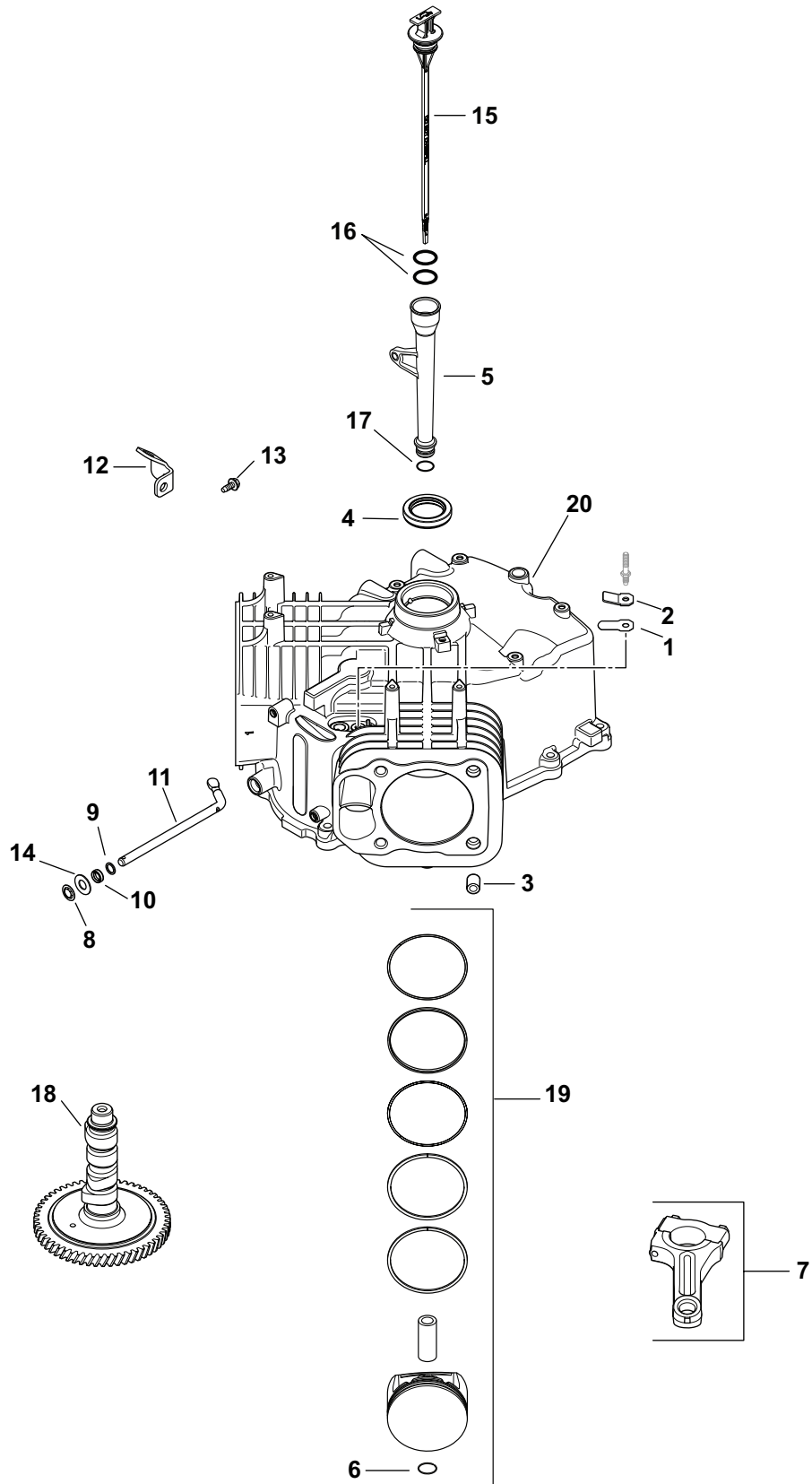
777X40180



777S30296

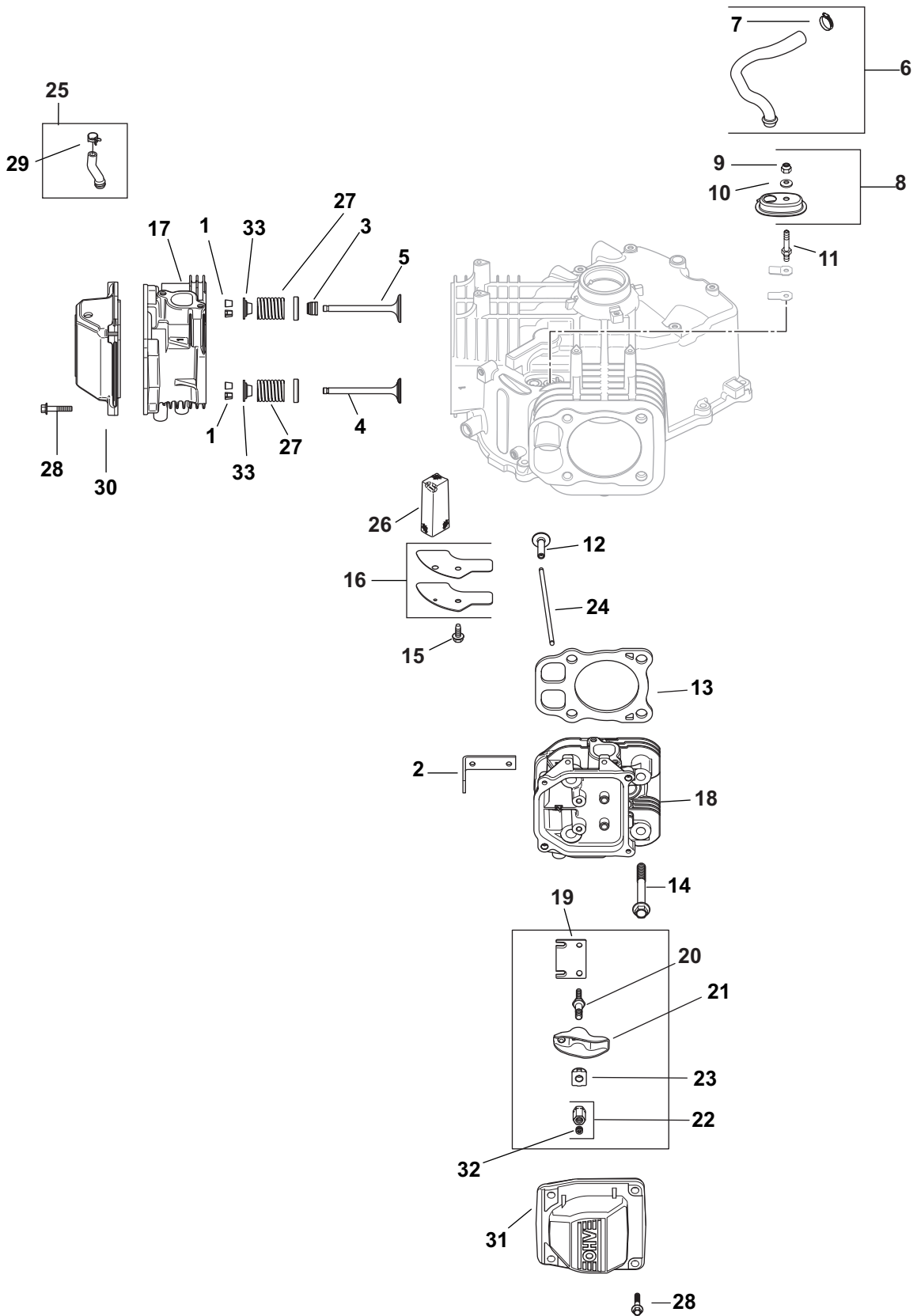


Kohler SV740-3028 Crankcase



Ref.	Part Number	Description
1	KH-12-402-02	Breather Reed
2	KH-24-018-04-S	Breather Reed Retainer
3	KH-24-380-16-S	Locating Pin
4	KH-24-032-19-S	Oil Seal, 1.78 x 1.26
5	KH-32-123-11-S	Tube
6	KH-24-018-01-S	Piston Pin Retainer
7	KH-24-067-31-S	Connecting Rod (STD)
8	KH-24-018-09-S	Ring Retainer
9	KH-24-468-15-S	Flat Washer, 1 ¹ / ₂
10	KH-28-032-09-S	Governor Cross Shaft Seal
11	KH-24-144-38-S	Governor Cross Shaft
12	KH-24-126-243-S	Oil Fill Tube Bracket
13	KH-M-545013-S	Flange Screw, M5 x .8 x 13
14	KH-M-931010-S	Flat Washer, 9mm
15	KH-32-038-08-S	Dipstick
16	KH-25-153-09-S	O-Ring
17	KH-12-153-01-S	Lower Oil Fill Tube O-Ring
18	KH-32-010-05-S	Camshaft Assembly
19	KH-25-874-05-S	Piston W/ Ring Kit (STD)
—	KH-25-874-07-S	Piston W/ Ring Kit (0.08) 83mm
—	KH-25-874-08-S	Piston W/ Ring Kit (0.25) 83mm
—	KH-25-874-09-S	Piston W/ Ring Kit (0.50) 83mm
20	N/A	Crankcase (Use Short Block)

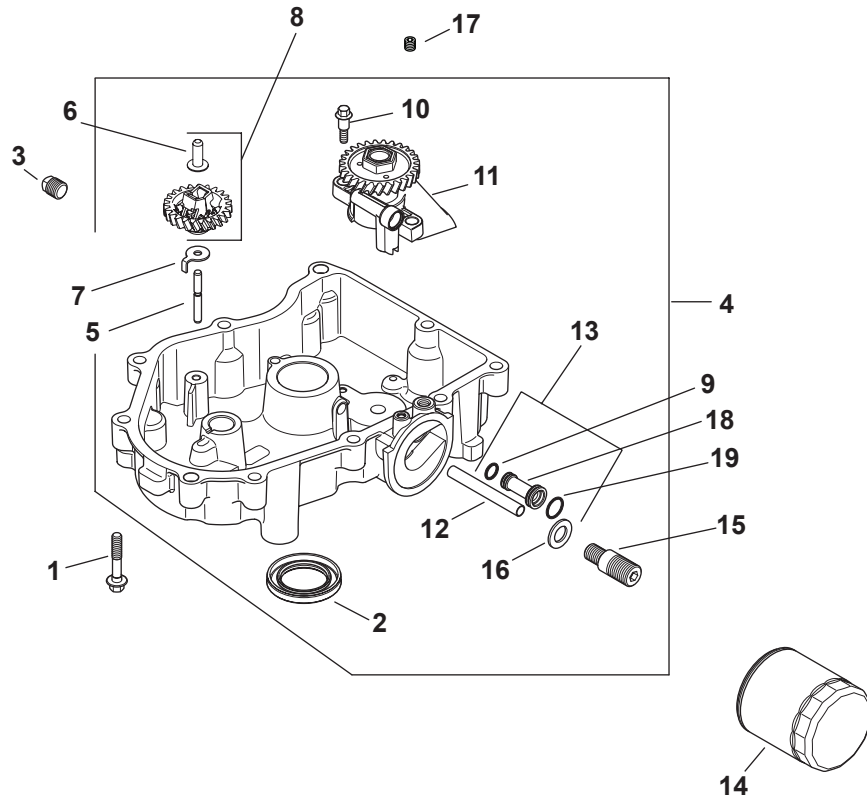
Kohler SV740-3028 Head/Valve/Breather



Kohler SV740-3028 Head/Valve/Breather

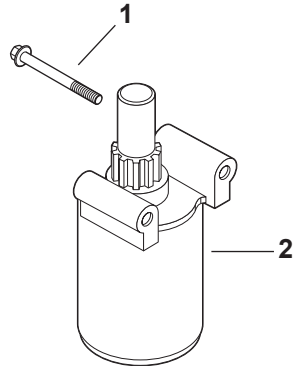
Ref.	Part Number	Description
1	KH-12-755-03	Retainer Kit
2	KH-25-445-03-S	Lifting Strap
3	KH-66-032-05-S	Valve Stem Seal
4	KH-32-016-01-S	Exhaust Valve (STD)
5	KH-32-017-01-S	Intake Valve (STD)
6	KH-32-326-06-S	Breather Hose Kit (Inc. #7)
7	KH-25-237-31-S	Hose Clamp, ½
8	KH-32-081-02-S	Housing Breather Kit (Inc. #9 & 10)
9	KH-M-547050-S	Lock Nut, M5 x 8
10	KH-32-468-01-S	Sealing Washer
11	KH-32-072-03-S	Breather Cover Stud
12	KH-32-019-02-S	Tappet
13	KH-32-841-02-S	Cylinder Head Gasket Kit
14	KH-62-086-08-S	Flange Screw, M10 x 1.5 x 90
15	KH-25-086-397-S	Screw, Thread Forming
16	KH-32-096-04-S	Breather Cover
17	KH-32-318-19-S	Cylinder Head Assembly Kit, #1 (Inc. Exhaust Mounting Hardware)
18	KH-32-318-20-S	Cylinder Head Assembly Kit, #2 (Inc. Exhaust Mounting Hardware)
19	KH-32-146-09-S	Guide Plate
20	KH-32-072-04-S	Rocker Stud
21	KH-32-186-03-S	Rocker Arm
22	KH-32-100-05-S	Hex Nut Assembly (Inc. #32)
23	KH-25-599-01-S	Rocker Arm Pivot
24	KH-32-411-04-S	Push Rod
25	KH-32-326-07-S	Fuel Pump Hose Kit (Inc. #29)
26	KH-32-050-05-S	Breather Filter
27	KH-32-089-05-S	Valve Spring
28	KH-25-086-374-S	Pan Head Screw
29	KH-25-237-01-S	Hose Clamp
30	KH-25-096-10-S	Rocker Cover
31	KH-25-096-09-S	Rocker Cover
32	KH-25-086-168-S	Set Screw
33	KH-25-173-28-S	Valve Spring Cap
NS	KH-32-755-03-S	Cylinder Head Hardware Kit
NS	KH-275067-S	Spacer (.010")

Kohler SV740-3028 Oil Pan/Lubrication



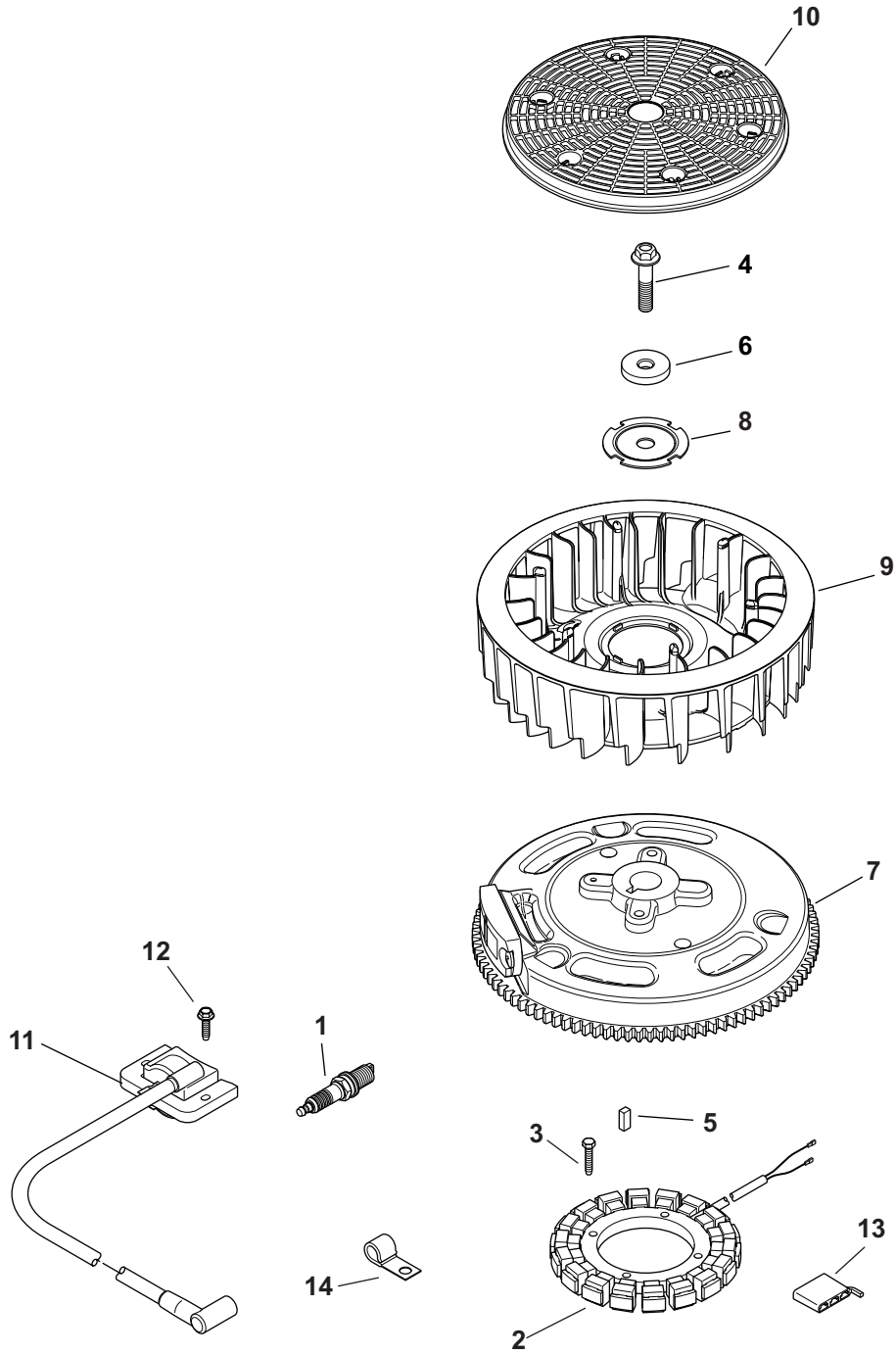
Ref.	Part Number	Description
1	KH-24-086-17-S	Flange Screw, M8 x 1.25 x 45
2	KH-25-032-06-S	Oil Seal, 2.38 x 1.45
3	KH-25-139-57-S	Square Head Pipe Plug, 3/8
4	KH-32-199-14-S	Oil Pan Assembly
5	KH-12-144-02	Governor Gear Shaft
6	KH-12-380-01	Governor Regulating Pin
7	KH-24-448-02-S	Locking Tab
8	KH-32-310-02-S	Governor Gear Kit
9	KH-24-153-01	Oil Pick-Up O-Ring
10	KH-32-086-01-S	Screw

Ref.	Part Number	Description
11	KH-32-393-16-S	Oil Pump Assembly
12	KH-32-123-01-S	Oil Feed Tube (Filter to Oil Pan)
13	KH-32-123-09-S	Oil Feed Tube Assembly
14	KH-12-050-01-S	Oil Filter
15	KH-32-136-05-S	Oil Filter Nipple
16	KH-32-468-02-S	Flat Washer
17	KH-25-139-60-S	Plug, Ctsk. Pipe Plug, 1/8
18	KH-32-123-06-S	Oil Feed Tube
19	KH-32-153-05-S	O-Ring



Ref.	Part Number	Description
1	KH-M-851080-S	Flg. Screw, M8 X 1.25 X 80
2	KH-32-098-04-S	Starter Assembly
—	KH-12-243-04-S	Brush Assembly
—	KH-32-211-01-S	Thru Bolt
—	KH-32-227-01-S	End Cap

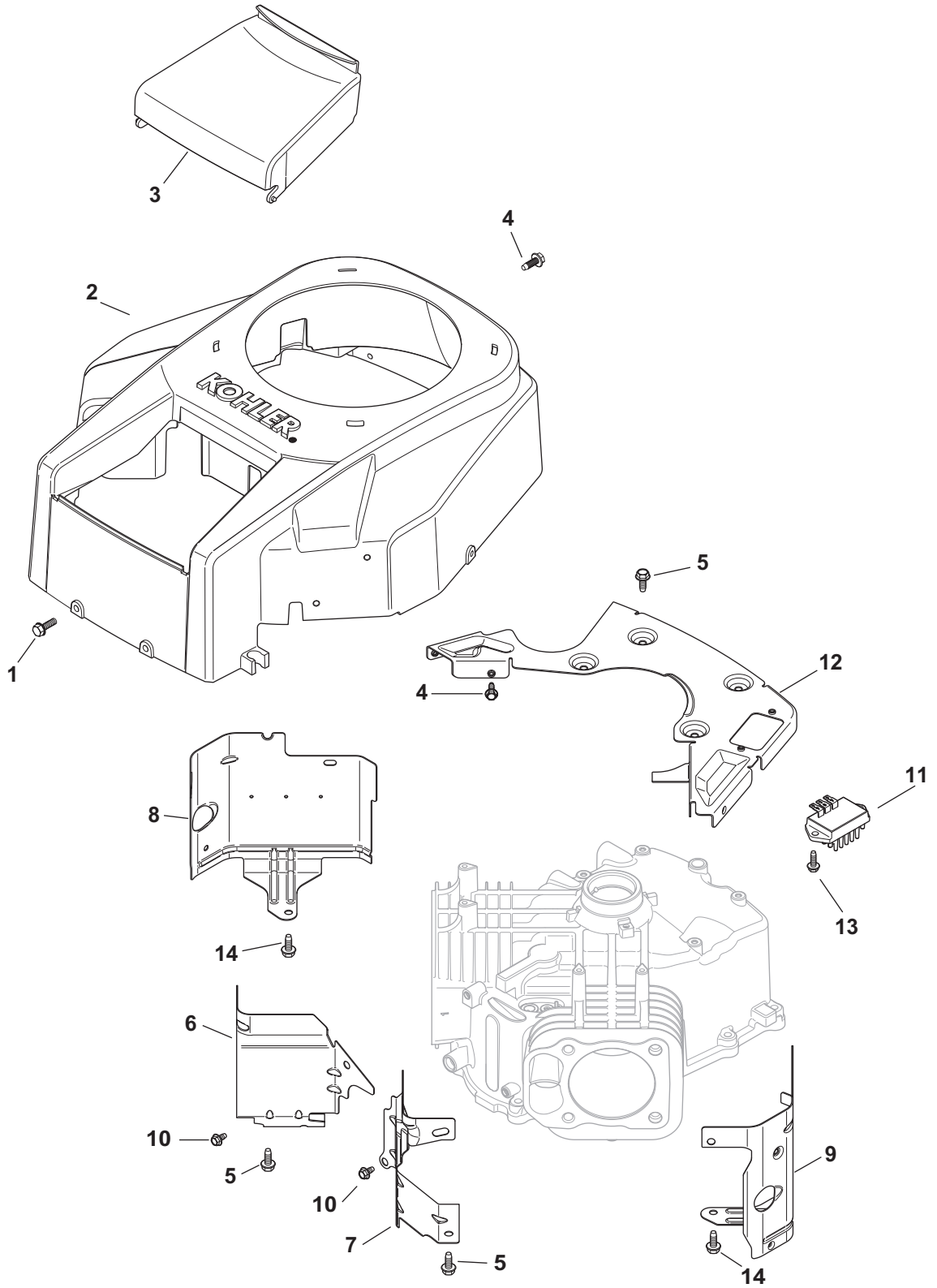
Kohler SV740-3028 Ignition/Electrical



Kohler SV740-3028 Ignition/Electrical

Ref.	Part Number	Description
1	759-3336	Spark Plug
2	KH-28-085-02-S	25 Amp Stator Kit
3	KH-25-086-412-S	Screw, M5 x 0.8 x 30
4	KH-25-086-361-S	Hex Flange Screw
5	KH-25-340-04-S	Square Key
6	KH-25-468-09-S	Flat Washer
7	KH-32-025-15-S	Flywheel Assembly
8	KH-20-146-05-S	Fan Mounting Plate
9	KH-32-157-01-S	Fan
10	KH-32-162-03-S	Grass Screen
11	KH-24-584-89-S	Module Ignition Kit
12	KH-M-545020-S	Screw, M5 x .8 x 20
13	KH-25-155-41-S	Connector
14	KH-47-154-01-S	Cable Clip
N/A	KH-25-454-05-S	Wire Tie
N/A	KH-32-176-32-S	Wiring Harness

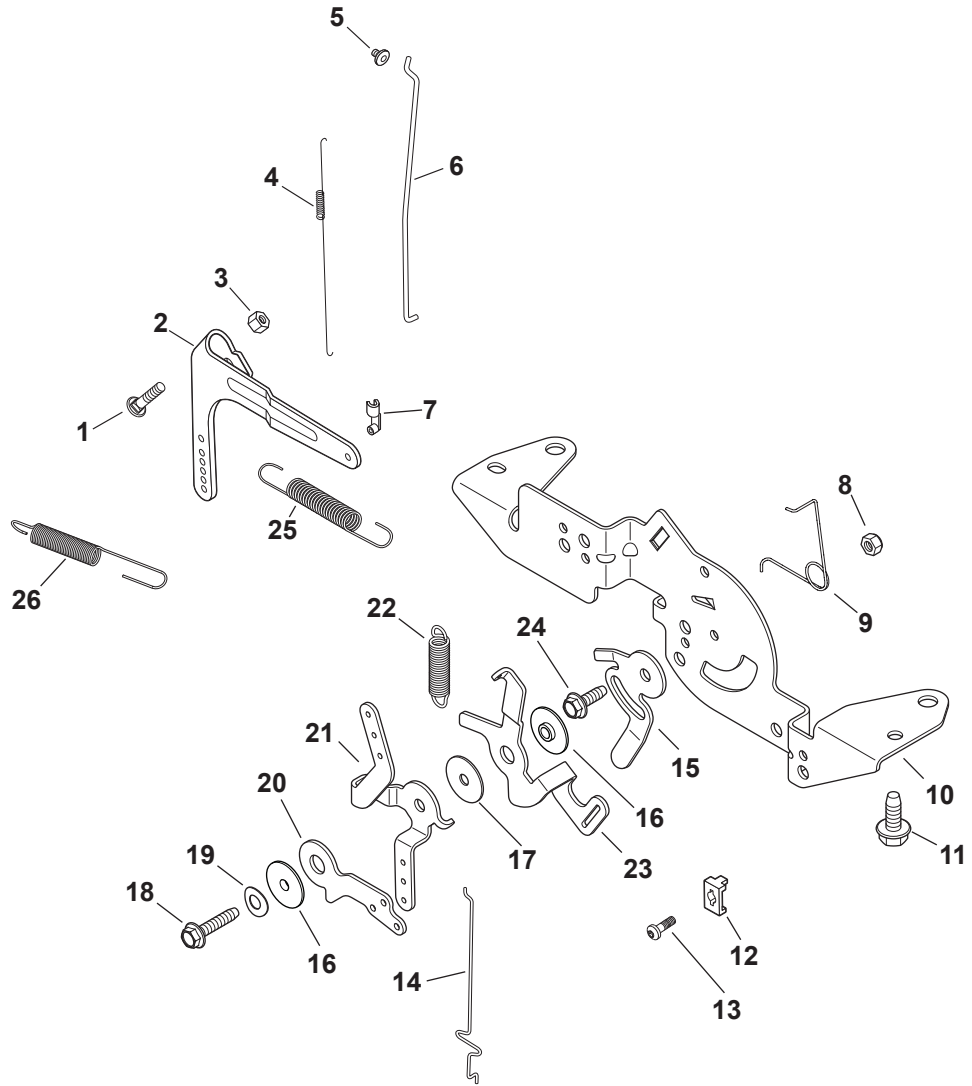
Kohler SV740-3028 Blower Housing & Baffles



Kohler SV740-3028 Blower Housing & Baffles

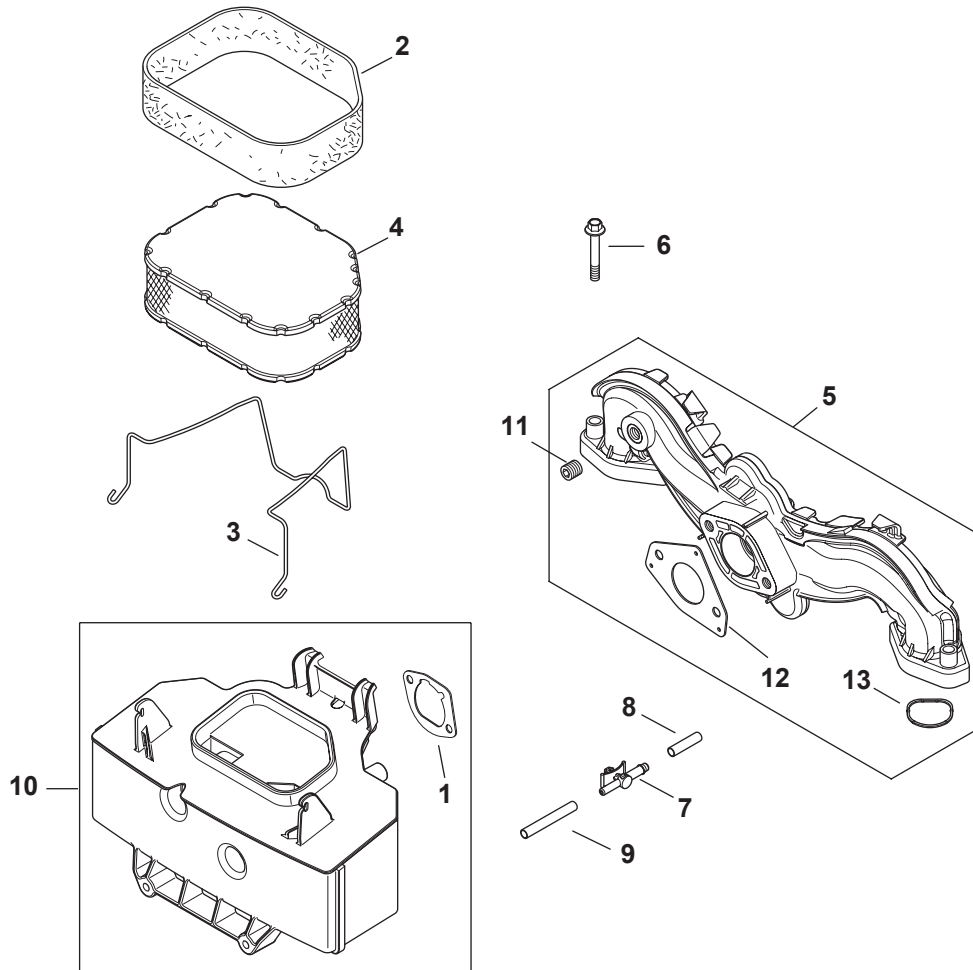
Ref.	Part Number	Description
1	KH-24-086-12	Screw, M6 x 1.7 x 18
2	KH-32-027-03-S	Blower Housing Kit
3	KH-32-096-08-S	Air Cleaner Cover
4	KH-M-545016-S	Flange Screw, M5 x .8 x 16
5	KH-M-645016-S	Flange Screw, M6 x 1.0 x 16
6	KH-24-063-93-S	Valley Baffle, #1 Cylinder
7	KH-24-063-94-S	Valley Baffle, #2 Cylinder
8	KH-32-063-10-S	Cylinder Barrel Baffle, #1 Side
9	KH-32-063-12-S	Cylinder Barrel Baffle, #2 Side
10	KH-M-0545010	Flange Screw, M5 x .8 x 10
11	KH-25-403-20-S	Regulator/Rectifier
12	KH-32-146-05-S	Backing Plate Kit
13	KH-M-545020-S	Screw, M5 x .8 x 20
14	KH-25-086-158-S	Flange Screw, M6 x 1.0 x 10

Kohler SV740-3028 Engine Controls

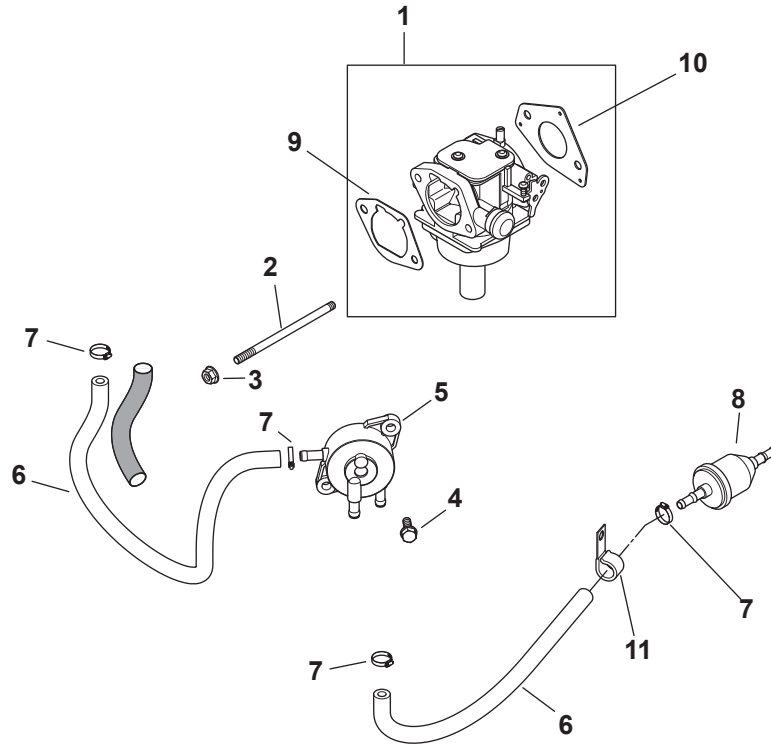


Ref.	Part-Number	Description
1	KH-24-211-03-S	Bolt, M6 x 1.0 x 25
2	KH-24-090-51-S	Governor Lever
3	KH-M-641060-S	Flange Nut, M6 x 1.0
4	KH-24-089-01	Linkage Spring
5	KH-25-158-08	Linkage Retaining Bushing
6	KH-24-079-04	Throttle Linkage
7	KH-25-158-11	Throttle Linkage Bushing
8	KH-M-547050-S	Lock Nut, M5 x .8
9	KH-24-089-03	Choke Return Spring
10	KH-32-126-04-S	Control Bracket
11	KH-M-645016-S	Flange Screw, M6 x 1.0 x 16
12	KH-12-237-01	Cable Clamp
13	KH-24-086-43-S	Screw, M5 x .8 x 16
14	KH-24-079-22-S	Choke Linkage
15	KH-32-090-09-S	Speed Setting Lever
16	KH-24-112-27-S	Control Assembly Spacer
17	KH-24-468-01	Flat Washer, 5.5mm
18	KH-25-086-151-S	Screw, M5 x .8 x 25mm
19	KH-41-468-03	Spring Washer, ¼
20	KH-32-090-12-S	Choke Lever
21	KH-32-090-08-S	Speed Control Lever
22	KH-32-089-03-S	Speed Control Spring
23	KH-32-090-07-S	Governor Spring Lever
24	KH-M-545016-S	Flange Screw, M5 x .8 x 16
25	KH-24-089-55-S	Governor Spring
26	KH-24-089-18	Governor Spring

Kohler SV740-3028 Air Intake/Filtration

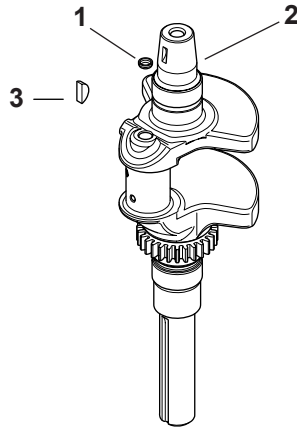


Ref.	Part Number	Description
1	KH-24-041-14	Air Cleaner Base Gasket
2	KH-32-883-03-S1	Pre-Cleaner Element
3	KH-32-344-02-S	Air Cleaner Element Latch
4	KH-32-883-03-S1	Air Filter Element
5	KH-24-164-91-S	Intake Manifold Kit
6	KH-M-651040-S	Flange Screw, M6 x 1.0 x 40
7	KH-25-155-51-S	Evaporative Connector
8	KH-25-173-33-S	Evaporative Mask
9	KH-25-326-08-S	Evaporative Hose, 20"
10	KH-32-094-08-S	Air Cleaner Base
11	KH-25-139-60-S	Pipe Plug, 1/8
12	KH-24-041-52-S	Carburetor Gasket
13	KH-24-153-27-S	Intake Port O-Ring

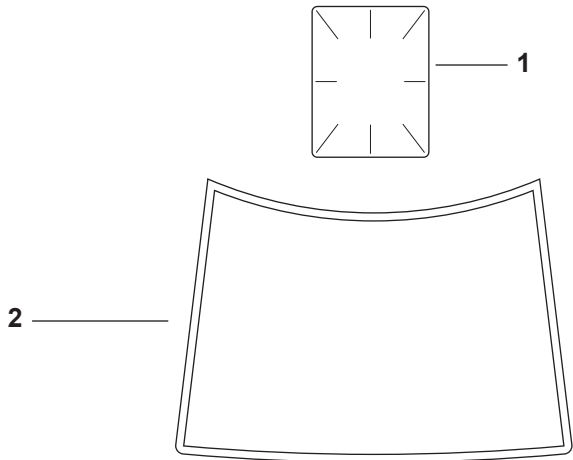


Ref.	Part-Number	Description
1	KH-32-853-28-S	Carburetor Kit
2	KH-M-629105-S	Stud, M6 x 1.0 x 106
3	KH-M-641060-S	Flange Nut, M6 x 1.0
4	KH-24-086-12	Tap Screw, M6 x 1.7 x 18
5	KH-24-393-16	Fuel Pump
6	KH-25-111-81-S	Fuel Line
7	KH-25-237-31-S	Hose Clamp, 1/2
8	KH-25-050-22-S1	Fuel Filter
9	KH-24-041-14	Air Cleaner Base Gasket
10	KH-24-041-52-S	Carburetor Gasket
11	KH-47-154-01-S	Cable Clip

Kohler SV740-3028 Crankshaft



Ref.	Part Number	Description
1	KH-52-139-09-S	Cup Plug
2	KH-32-014-313-S	Crankshaft
3	KH-X-43-1-S	Key, 1/8" x 1/2"



Artwork is representative.
Actual labels may differ depending on model and specification number.

Ref.	Part Number	Description
1	KH-25-113-39-S	Clear Laminate Decal
2	KH-32-113-74-S	Decal, 27 HP



To order replacement parts, call the Customer Dealer Referral Line at 1-877-282-8684
or visit www.cubcadet.com to find the nearest Cub Cadet dealer in your area.

CUB CADET LLC, P.O. BOX 361131 CLEVELAND, OHIO 44136-0019
