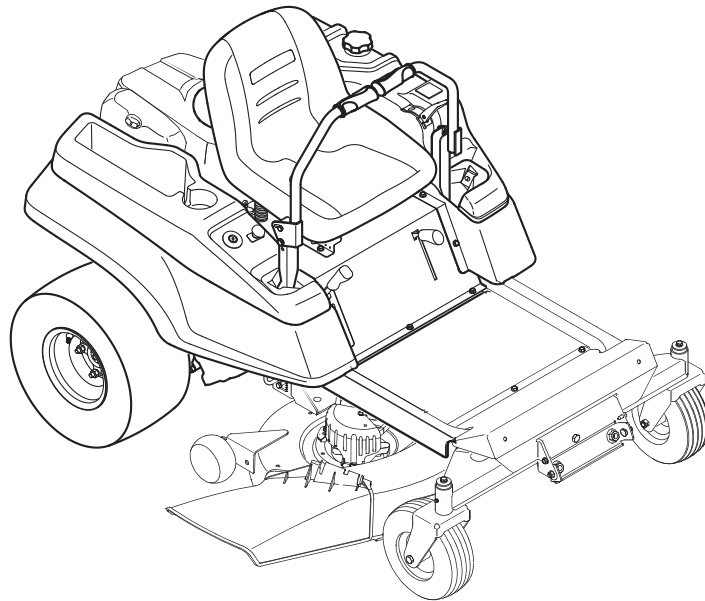

Cub Cadet.

ILLUSTRATED PARTS MANUAL



42", & 50" RZT Series Tractor

CUB CADET LLC, P.O. BOX 361131 CLEVELAND, OHIO 44136-0019

To The Owner

Thank You

Thank you for purchasing a Cub Cadet Zero-Turn Tractor. It was carefully engineered to provide excellent performance when properly operated and maintained.

All information in this manual is relative to the most recent product information available at the time of printing. Please be aware that this Illustrated Part's Manual may cover a range of product specifications for various models.

Components listed and/or illustrated in this manual may not be applicable to all models. We reserve the right to change product specifications, designs and equipment without notice and without incurring obligation.

Throughout this manual, all references to *right* (RH) and *left* (LH) are observed from the operating position.

Table of Contents

<i>Axles</i>	12-13	<i>Labels</i>	21
<i>Battery</i>	6	<i>Meter, Systems Indicator</i>	6
<i>Controls</i>	14	<i>Muffler</i>	8
<i>Deck, 42-inch</i>	16	<i>Operator's Platform</i>	10
<i>Deck, 50-inch</i>	18	<i>PTO Switch</i>	6
<i>Deck Lift Handle/Linkage</i>	3	<i>Seat</i>	11
<i>Drive System</i>	4	<i>Solenoid</i>	6
<i>Electrical Schematic</i>	20	<i>Switches, Interlock</i>	6
<i>Engine, Kohler SV715-3023</i>	22-37	<i>Throttle Control</i>	8
<i>Engine Accessories</i>	8	<i>Transmission</i>	4
<i>Frame</i>	6	<i>Wheels, Front</i>	12-13
<i>Fuel Tank</i>	9	<i>Wheels, Rear</i>	4

Record Product Information

To ease in ordering replacement parts, please locate the model plate on the equipment and record the information in the provided area to the right. You can locate the model plate by looking beneath the seat.

MODEL NUMBER

--	--	--	--	--	--	--	--	--	--	--

SERIAL NUMBER

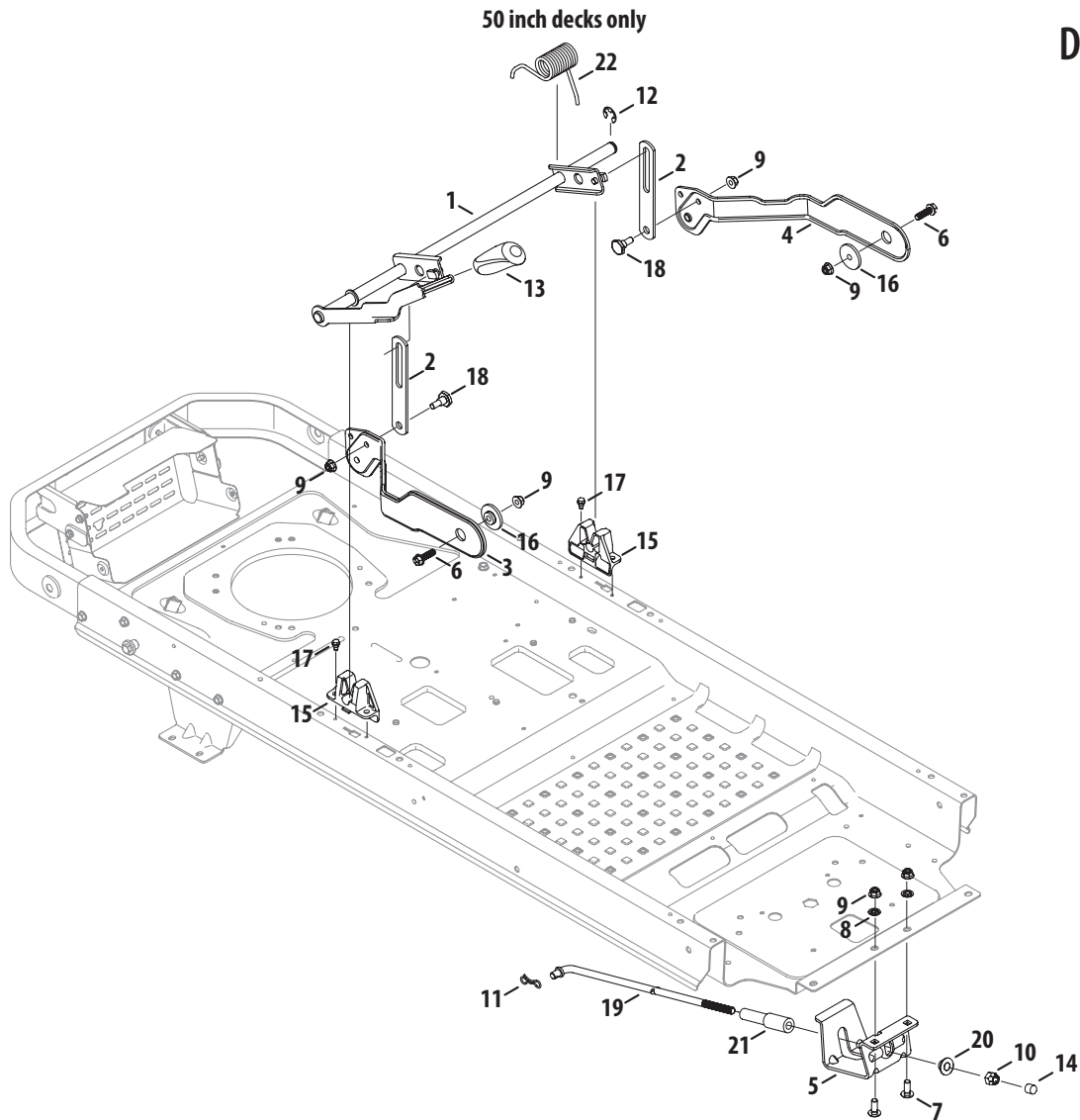
--	--	--	--	--	--	--	--	--	--	--

Painted Parts

When ordering painted service parts, a four digit color suffix must be added to the part number (e.g. 783-XXXX-0637). Please refer to the table below for current color codes:

0637	Black
4021	Yellow (Cub Cadet)
0499	Beige (Cub Cadet)

0685	Blue (Cub Cadet)
0691	Black Jack (Cub Cadet Commercial)

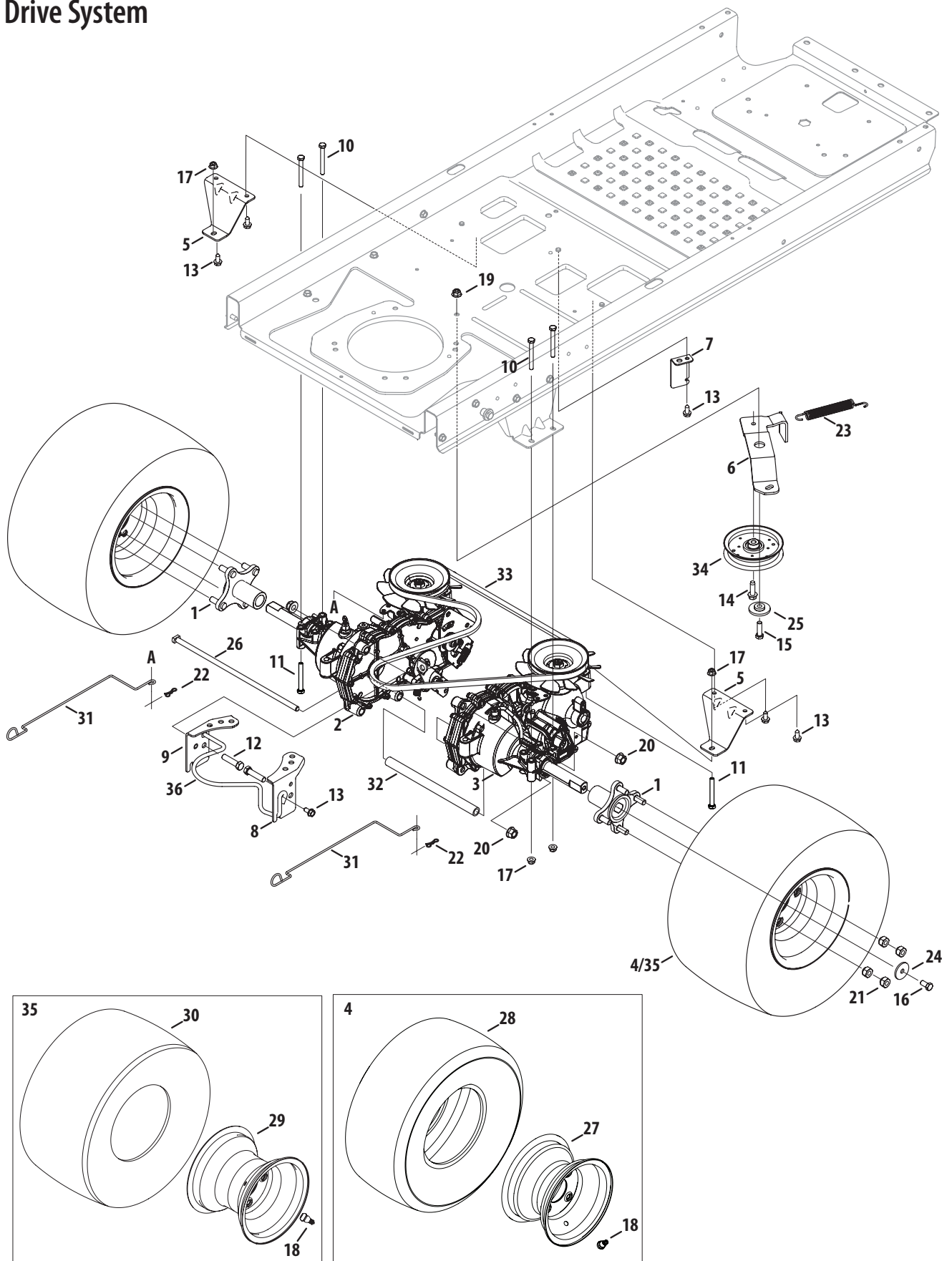


Ref	Part Number	Description
1	603-04983A	Deck Lift Shift Assembly
2	703-08591A	Lift Link Plate
3	703-08592	Deck Lift Plate, RH
4	703-08593	Deck Lift Plate, LH
5	703-08644	Rod Support Mounting Bracket
6	710-04683A	Hex Washer Screw, 3/8-16 x 1.00
7	710-3168	Carriage Bolt, 3/8-16 x 1.00
8	712-0229	Push Nut, 3/8
9	712-04065	Flange Lock Nut, 3/8-16
10	712-04243	Flange Lock Nut, 1/2-13
11	714-04043	Bow-Tie Cotter Pin

Ref	Part Number	Description
12	916-0231	E-Type Ring, .750
13	720-04139B	Grip, .50 ID
14	726-05009	End Cap
15	731-08782	Deck Lift Bracket
16	738-05029	Shoulder Spacer, .854 x .232
17	738-04278	Shoulder Screw, .500 x 1/4-20
18	938-0507B	Shoulder Screw, .500 Dia. x .434
19	747-05552A	Deck Lift Rod
20	748-04069	Deck Lift pivot Cup
21	750-05658	Nylon Sleeve, .55 ID x 4.50 LG
22	732-04947At	Torsion Spring, 1.323 ID x 2.83 LG

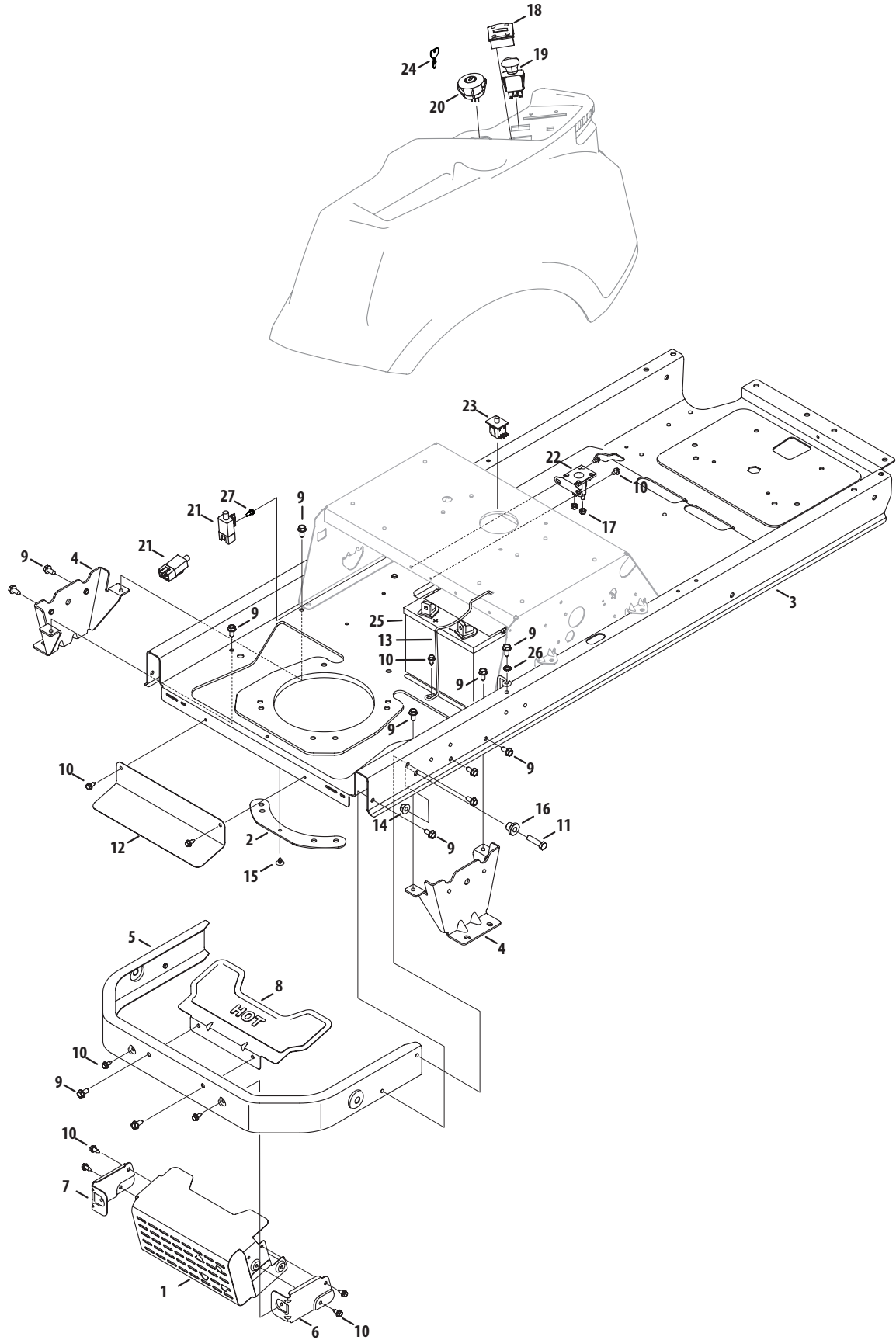
† If Equipped

Drive System



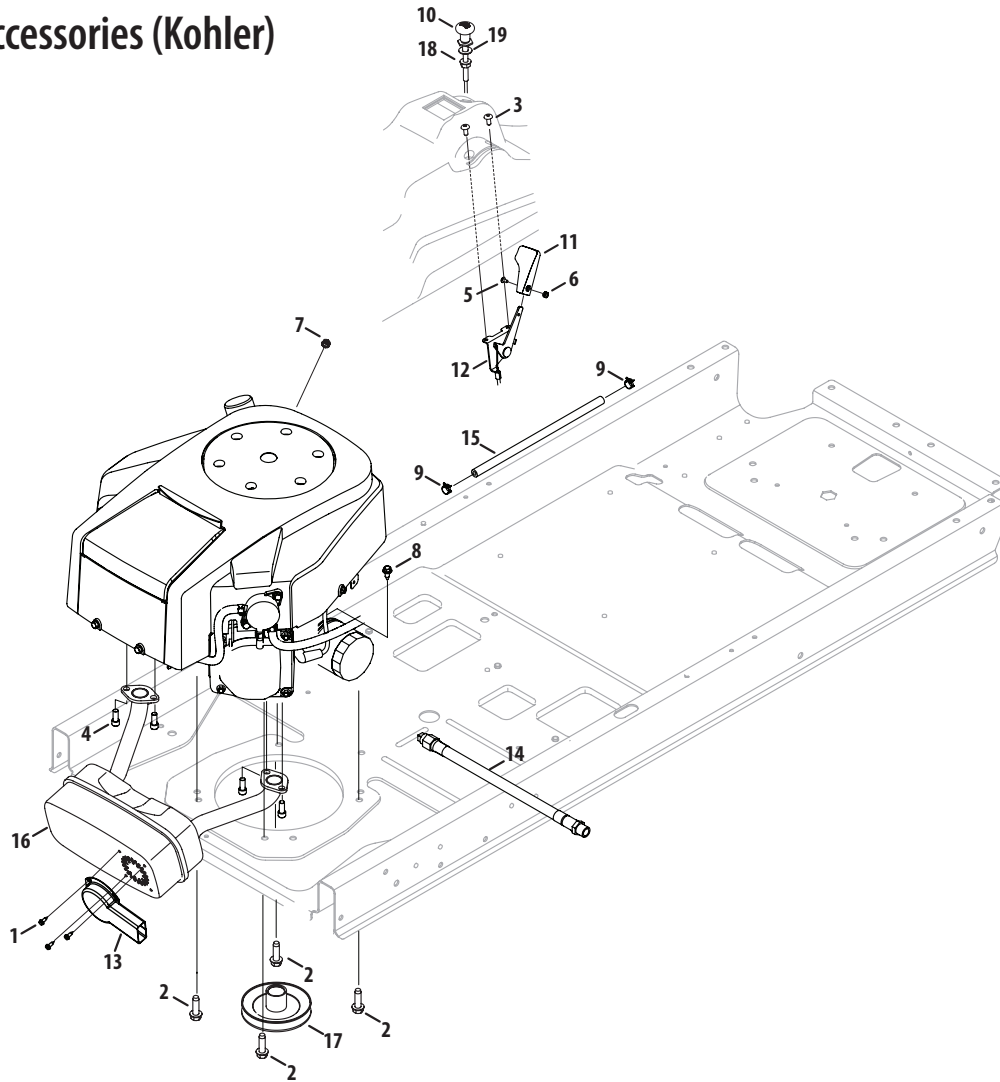
Ref.	Part Number	Description
1	918-04317	Wheel Hub Assembly
2	918-05128	Transmission Assembly, LH
3	918-05129	Transmission Assembly, RH
4	634-04293-0911	Complete Wheel, 18 x 8.5-8 (42")
5	703-08570	Transmission Mounting Bracket
6	703-08605	Idler Bracket
7	703-08613	Spring Mounting Bracket
8	703-08614A	Transmission Bracket
9	703-08615A	Transmission Bracket
10	710-0176	Hex Screw, 5/16-18 x 2.75
11	710-0395	Hex Screw, 5/16-18 x 2.25
12	710-04092	Hex Screw, 7/16-20 x 1.75
13	710-04484	Hex Washer Screw, 5/16-18 x .750
14	710-1315	Hex Washer Screw, 3/8-16 x 1.250
15	710-0514	Hex Screw, 3/8-16 x 1.00
16	710-3119	Hex Screw, 3/8-16 x .75
17	712-04063	Flange Lock Nut, 5/16-18
18	934-0255	Valve Tubeless
19	712-04065	Flange Lock Nut, 3/8-16
20	712-0459	Flange Lock Nut, 7/16-20
21	712-3050	Lug Nut, 7/16-14
22	714-04040	Bow-Tie Cotter Pin
23	732-04229	Extension Spring, .75 Dia. x 6.02
24	936-0227	Flat Washer, .390 x 1.50 x .134
25	738-04162C	Shoulder Spacer, .884 x .190
26	738-04192B	Rod, .405 Dia. x 14.0 LG
27	603-04173-0499	Rim Only, (42")
28	734-04246-0901	Tire Only, 18 x 8.5-8 (42")
29	603-04175-0499	Rim Only, (50")
30	734-1729-0901	Tire Only, 18 x 9.5-8 (50")
31	747-05657	Bypass Rod
32	750-04561	Tube, .51 ID x .75 OD x 10.2
33	954-04317	Belt, A-Type x 67.0
34	756-04129B	Idler Pulley, 4.25 Dia.
35	634-04128-0911	Complete Wheel, 18 x 9.5-8 (50")
36	747-06037	Engine Keeper Rod (42")
	747-06070	Engine Keeper Rod (50")

Frame & Electrical



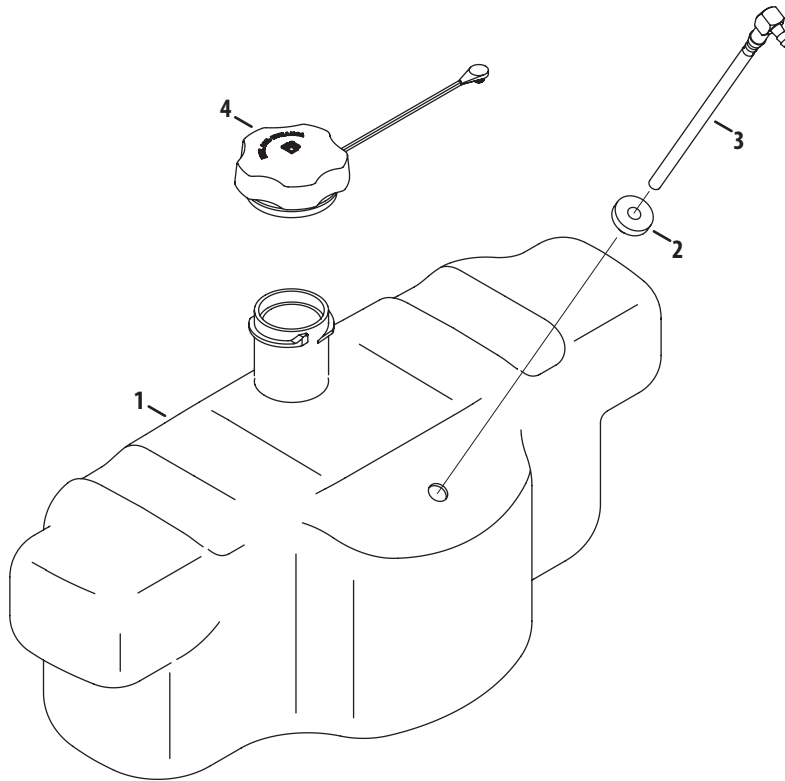
Ref	Part Number	Description
1	683-04549	Muffler Shield Assembly
2	703-05383B	Retainer Plate
3	703-08884B	Frame Assembly
4	703-08555	Transmission Mounting Bracket
5	703-08558	Rear Bumper
6	703-08671	Muffler Mounting Shield Bracket, RH
7	703-08695	Muffler Mounting Shield Bracket, LH
8	703-09083	Muffler Shield
9	710-04484	Hex Washer Screw, 5/16-18 x .750
10	710-1652	Hex Washer Screw, 1/4-20 x .625
11	710-3005	Hex Screw, 3/8-16 x 1.25
12	703-09195	Lower Heat Shield
13	747-05685	Battery Rod
14	712-04065	Flange Lock Nut, 3/8-16
15	726-04072A	Clip, .250 Dia. x .500 LG
16	738-04058	Shoulder Spacer, .38 x 1.0 x .70
17	712-04064	Flange Lock Nut, 1/4-20
18	925-04022B	Hour Meter/Service Minder
19	925-3233	Electric PTO Switch
20	925-04228	Key Switch
21	725-04363	Interlock Switch
22	725-04439	Solenoid
23	925-05013	Seat Switch
24	925-2054A	Key
25	925-1707D	Battery
26	736-0607	Lock Washer, 5/16
27	738-04237A	Shoulder Screw, #10-32 x .500
—	925-06000	Harness Assembly

Engine Accessories (Kohler)



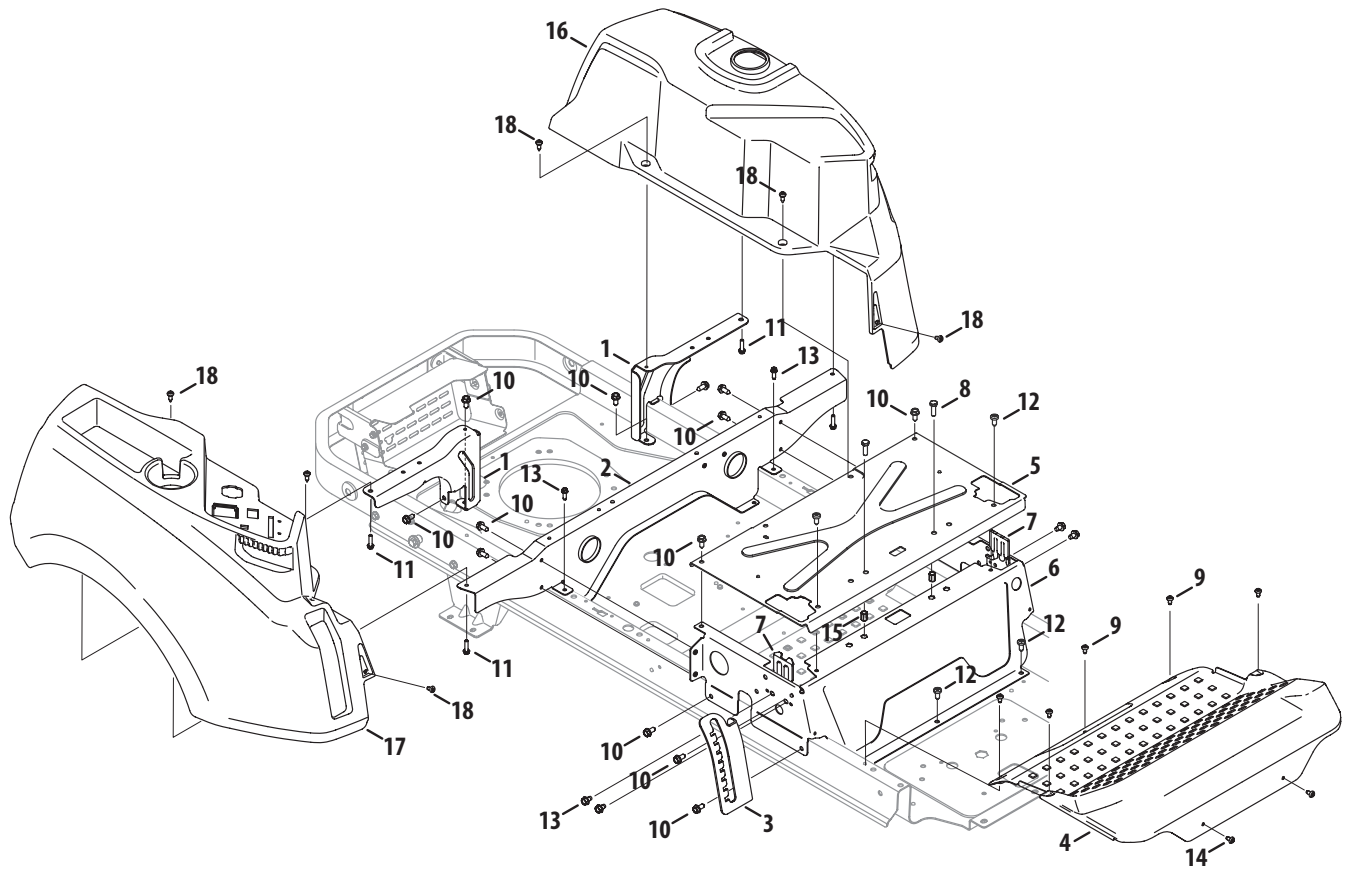
Ref.	Part Number	Description
1	710-0227	Hex Washer Screw, #8-18 x .500
2	710-04683A	Hex Washer Screw, 3/8-16 x 1.00
3	710-05070	Screw, 1/4-20 x .50
4	710-1314A	Socket Head Screw, 5/16-18 x .750
5	710-3217	Screw, #8-32 x .375
6	712-0142	Hex Nut, #8-32
7	712-04064	Flange Lock Nut, 1/4-20
8	710-1652	Hex Washer Screw, 1/4-20 x .625
9	726-0205	Hose Clamp, .490 Dia.
10	946-04847	Choke Cable

Ref.	Part Number	Description
11	731-04914	Throttle Control Knob
12	946-1086	Throttle Cable
13	751-0564B	Muffler Deflector
14	751-10291A	Oil Drain Hose
15	751-10349-28	Fuel Hose, 1/4
16	751-10528A	Twin Muffler
17	756-04494	Engine Pulley
18	912-3005	Flange Lock Nut, 3/8-16
19	936-0300	Flat Washer, .406 x .875 x .059



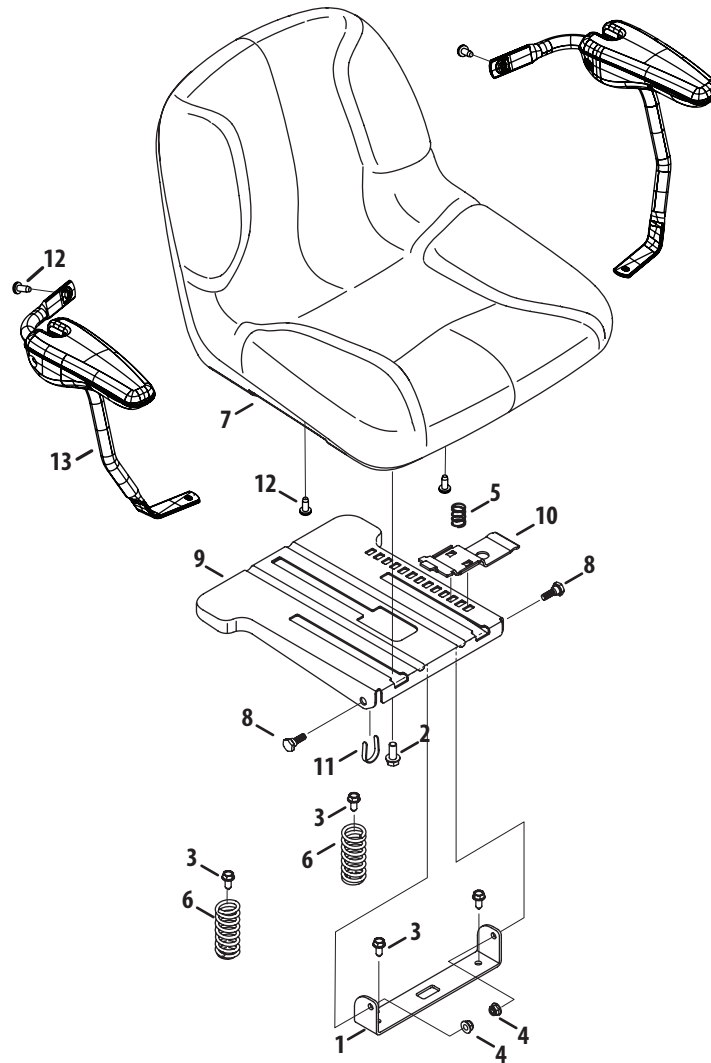
Ref.	Part Number	Description
1	951-04209	Fuel Tank
2	935-0149	Fuel Tank Bushing
3	751-10442	Fuel Pickup Fitting
4	951-12428	Fuel Cap

Operator's Platform



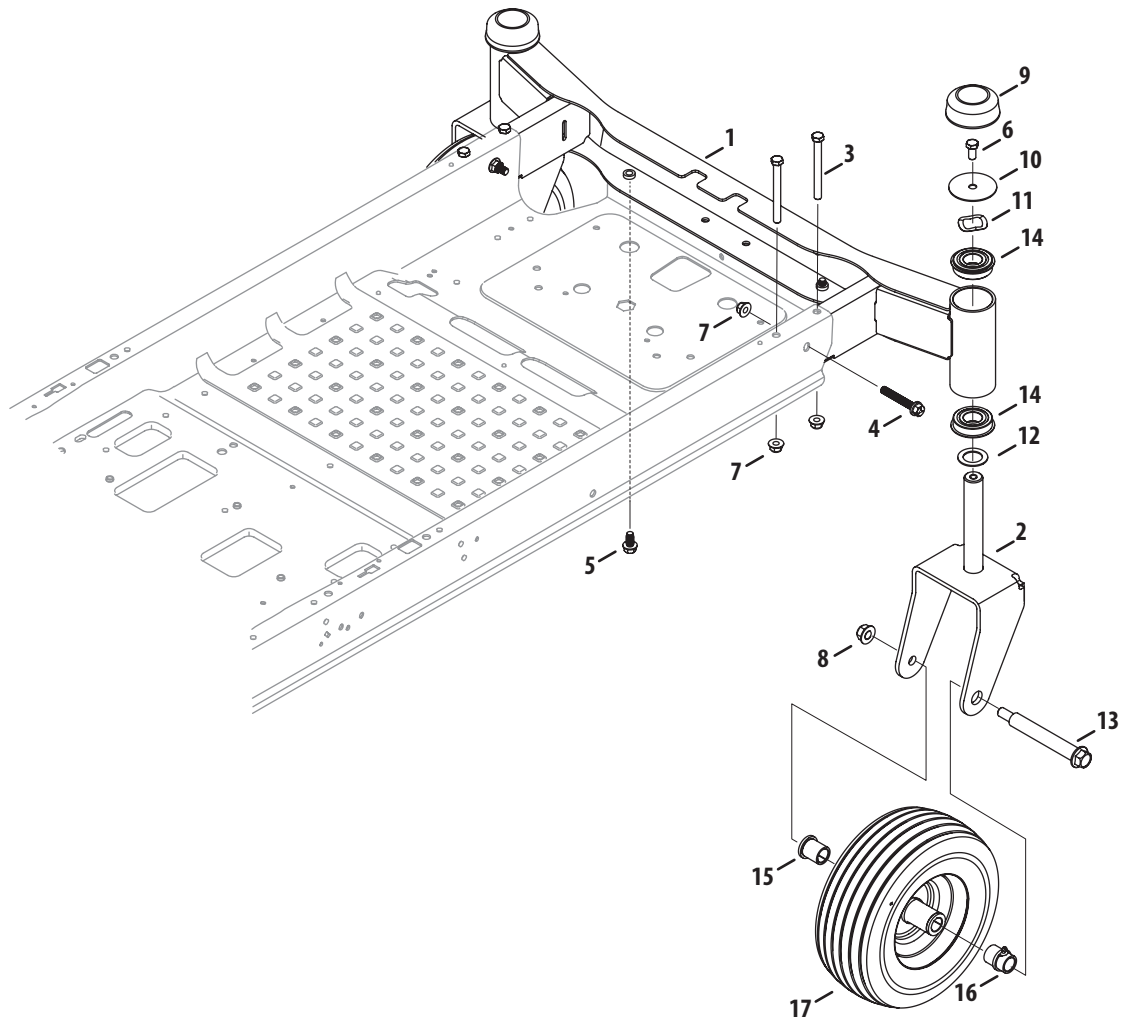
Ref.	Part Number	Description
1	703-08720A	Rear Tank Bracket
2	703-08722A	Rear Seatbox Brace
3	703-08762B	Height Index Bracket
4	703-08902A	Floor Board
5	703-09045	Seatbox Plate
6	703-09175	Seat Frame
7	703-09211	Lapbar Brace Bracket
8	710-0376	Hex Cap Screw, 5/16-18 x 1.00
9	710-04483	Self Tapping Screw, 1/4-20 x .50

Ref.	Part Number	Description
10	710-04484	Hex Washer Screw, 5/16-18 x .750
11	710-05109	Hex Washer Screw, 5/16-14 x 1.00
12	710-05424	Self Tapping Screw, 5/16-18 x .750
13	710-0607	Hex Washer Screw, 5/16-18 x .50
14	710-1611B	Screw, Self-Tapping, 5/16-18, 0.750
15	728-05012	Nut, 5/16-18
16	931-08687A	LH Console
17	931-08771A	RH Console
18	738-04549A	Shoulder Screw, 1/4-20



Ref.	Part Number	Description
1	703-08734	Seat Bracket
2	710-04482	Hex Flange Bolt, $\frac{3}{8}$ -16 x .875
3	710-04484	Hex Washer Screw, $\frac{5}{16}$ -18 x .750
4	712-04063	Flange Lock Nut, 5/16-18
5	732-04563	Compression Spring, .68 x 1.065 x .055
6	732-04849	Compression Spring, 1.50 x 3.90 x .200
7	757-04098	Seat, High Back
	757-04090	Seat, High back, Armrest
8	938-0296	Shoulder Screw, $\frac{5}{16}$ -18 x .437 x .268
9	783-06049	Seat Mount Bracket
10	783-06050	Seat Adjustment Lever
11	783-06448	Clip
12	710-1611B	Screw, 5/16-18 x 0.750
13	757-04073	Armrest

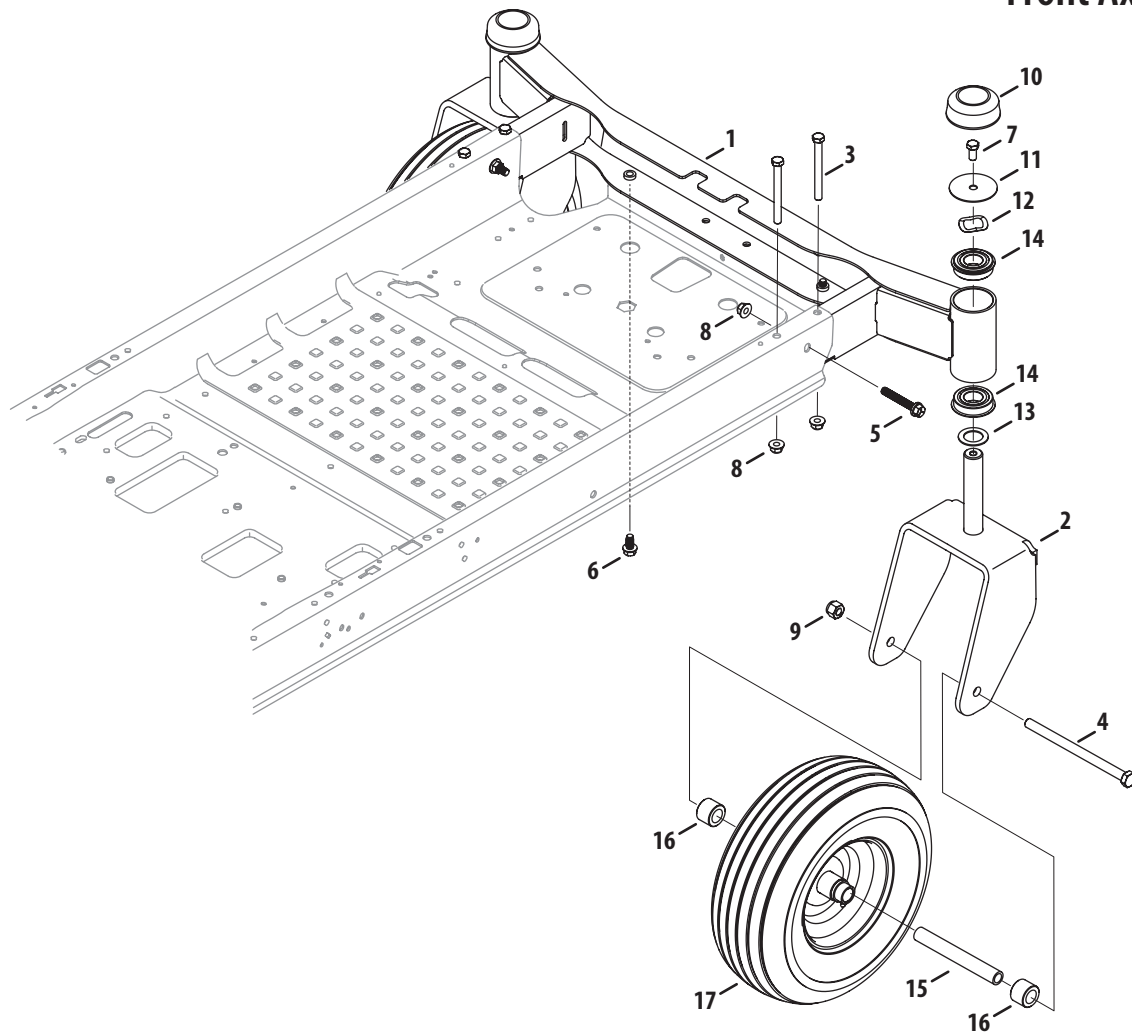
Front Axle 42"



Ref.	Part Number	Description
1	603-05053	Front Axle
2	603-05057A	Caster Wheel Bracket
3	710-04576	Hex Cap Screw, 3/8-16 x 3.75
4	710-06045	Hex Flange Screw, 3/8-16 x 2.25
5	710-0623	Screw TT, 3/8-16 x .750
6	710-3119	Hex Cap Screw, 3/8-16 x .750
7	712-04065	Flange Lock Nut, 3/8-16
8	712-04150	Flange Lock Nut, 1/2-13
9	731-09347	Cap

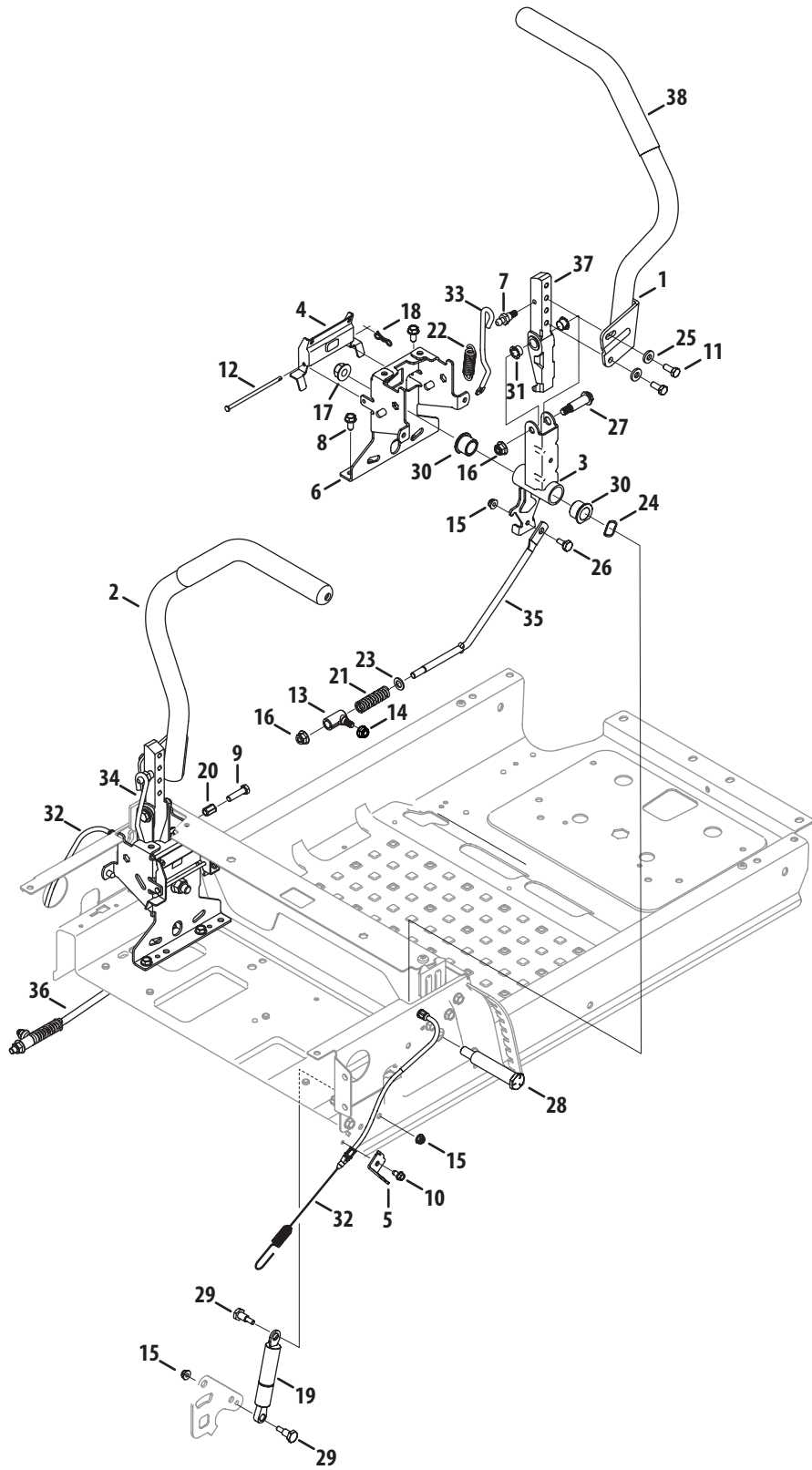
Ref.	Part Number	Description
10	736-05022	Flat Washer, .406 x 2.50 x .060
11	736-05033	Wave Washer, 1.25 x 1.00 x .300
12	736-0745	Flat Washer, 1.010 x 1.56 x .060
13	738-04182B	Shoulder Screw, 1/2-13
14	941-05022	Ball Bearing
15	741-0516B	Flange Bearing, .76 x 1.0 x 1.2
16	741-0990B	Flange Bearing, .76 ID w/Lube Ftg.
17	634-04212B	Wheel Assembly, 11.0 x 4.0 x 5.0

Front Axle 50"



Ref.	Part Number	Description
1	603-05001	Front Axle
2	603-05058A	Caster Wheel Bracket
3	710-04576	Hex Cap Screw, 3/8-16 x 3.75
4	710-04652	Hex cap Screw, 1/2-20 x 7.25
5	710-06045	Hex Flange Screw, 3/8-16 x 2.25
6	710-0623	Screw TT, 3/8-16 x .750
7	710-3119	Hex Cap Screw, 3/8-16 x .750
8	712-04065	Flange Lock Nut, 3/8-16
9	912-3058	Hex Lock Nut, 1/2-20

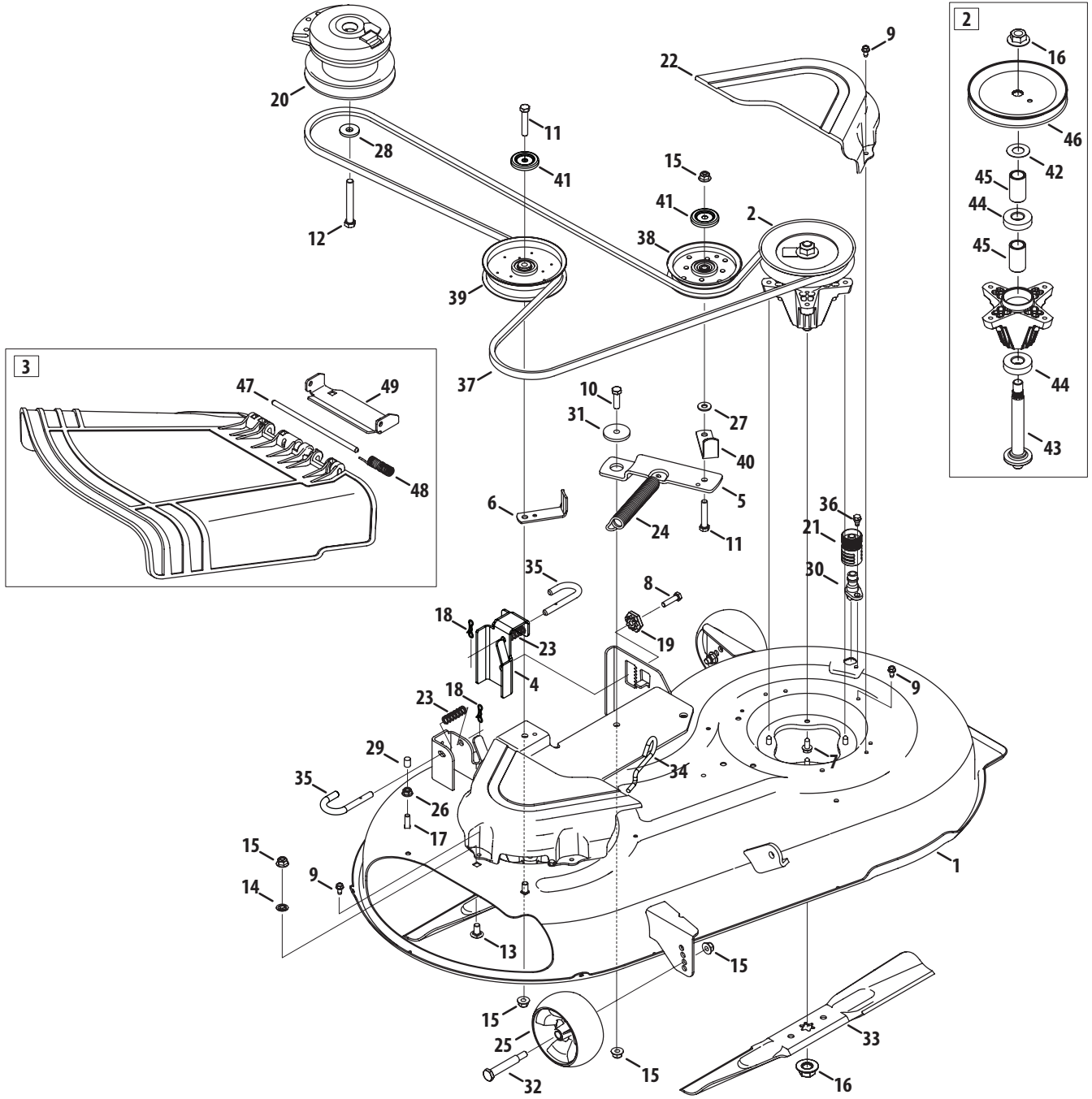
Ref.	Part Number	Description
10	731-09347	Cap
11	736-05022	Flat Washer, .406 x 2.50 x .060
12	736-05033	Wave Washer, 1.25 x 1.00 x .300
13	736-0745	Flat Washer, 1.010 x 1.56 x .060
14	941-05022	Ball Bearing
15	750-04775A	Spacer, .51 x .75 x 5.825
16	750-04792	Hub, .76 x 1.23 x .92
17	634-04711-0931	Wheel Assembly, 13 x 5 x 6



Ref.	Part Number	Description
1	603-05016A	RH Lapbar Lever Assembly
2	603-05019A	LH Labpar Lever Assembly
3	603-05033A	Lapbar Pivot bracket
4	703-09069	Brake Lever Actuator
5	703-09220	Brake Cable Bracket
6	703-09325	Lapbar Pivot Support Bracket
7	710-04471	Screw, Shoulder Ball, 5/16-18 x .48
8	710-04484	Hex Washer Screw, 5/16-18 x .750
9	710-0528	Hex Cap Screw, 5/16-18 x 1.25
10	710-0599	Hex Washer Screw, 1/4-20 x .500
11	710-1880	Hex Head Screw, 5/16-18 x .75, Patch
12	711-06068	Pin, .188 x 4.1
13	711-06094A	Ferrule, 3/8 ID x .420 Shldr
14	712-04063	Flange Lock Nut, 5/16-18
15	712-04064	Flange Lock Nut, 1/4-20
16	712-04065	Flange Lock Nut, 3/8-16
17	712-04150	Flange Lock Nut, 1/2-13
18	714-04040	Bow-Tie Cotter Pin
19	727-04400A	Dampener, .87 OD x 7.06 Lg

Ref.	Part Number	Description
20	728-05012	Nut, 5/16-18
21	732-05075	Compression Spring, .45 x 3.215
22	732-1162	Extension Spring, .56 x 2.31 x .105
23	936-0140	Flat Washer, .385 x .62 x .063
24	736-0621	Washer, Wave, .785 x 1.0 x .012
25	936-3008	Flat Washer, .344 x .750 x .120
26	738-04419A	Shoulder Screw, .375 x .148 x 1/4-20
27	738-05025	Shoulder Screw, .498 Dia. x 1.296
28	738-05033	Shoulder Screw, .75 x 3.25 x 1/2-13
29	738-05034	Shoulder Screw, .395 Dia. x .56
30	741-04050	Bearing, .75 x 1.00 x .73
31	741-0491	Flange Bearing, .500 x .34
32	946-05008	Park Brake Cable
33	747-06085	Lapbar Detent Rod, RH
34	747-06086	Lapbar Detent Rod, LH
35	747-06149	Hydro Control Rod, RH
36	747-06160	Hydro Control Rod, LH
37	748-05000	Lower Arm
38	720-05008	Lapbar Grip, Long 1.125 x 12.00 Lg

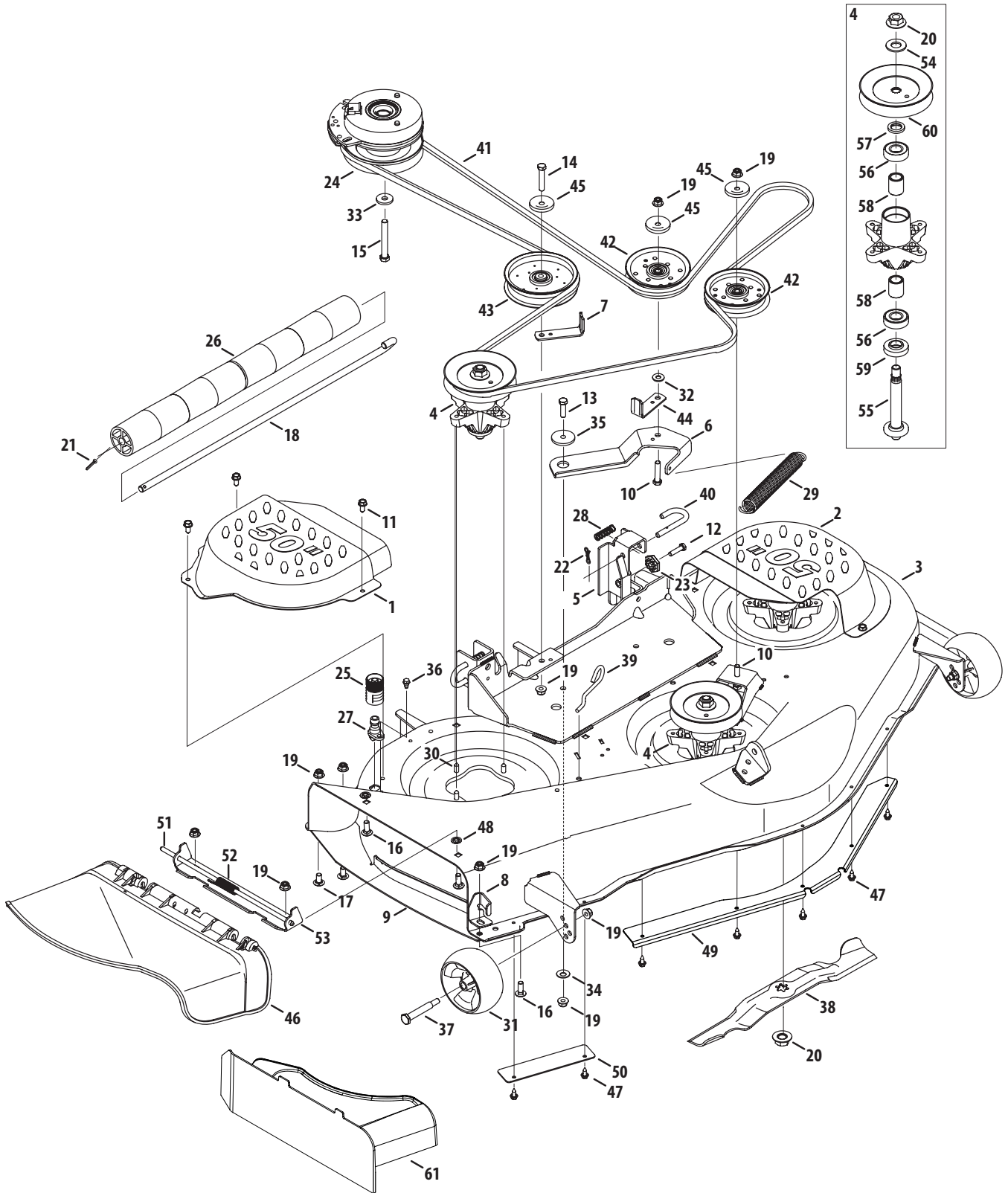
42" Deck



Ref.	Part Number	Description
1	903-04927A	42" Deck Assembly
2	918-04822A	Spindle Assembly
3	631-04349	Discharge Chute Assembly
4	683-05031	Deck Lift Bracket
5	703-08336C	Pivot Idler Bracket
6	703-08705	Bracket, Belt Guard
7	710-1260A	Hex Washer Head Screw, 5/16-18 x .75
8	710-0573	Hex Cap Screw, 5/16-18 x 1.25
9	710-1652	Hex Washer Screw, 1/4-20 x .625
10	710-3005	Hex Cap Screw, 3/8-16 x 1.25
11	710-3144	Hex Cap Screw, 3/8-16 x 2.00
12	710-3157A	Screw, 7/16-20 x 3.25
13	710-3178	Carriage Screw, 3/8-16 x .75
14	712-0229	Push Nut, 3/8
15	712-04065	Flange Lock Nut, 3/8-16
16	712-0417A	Hex Flange Nut, 5/8-18
17	710-0376	Hex Cap Screw, 5/16-18 x 1.00
18	714-04040	Bow-Tie Cotter Pin, 72
19	917-04074	Deck Adjustment Gear
20	917-05121	Electric PTO Clutch
21	921-04041	Water Nozzle Adapter
22	731-08698	Belt Cover
23	732-04652	Compression Spring, .535 x 1.751
24	732-04960	Extension Spring, .94 Dia. x 7.57
25	734-04155	Deck Ball Wheel, 5.0

Ref.	Part Number	Description
26	712-04063	Flange Lock Nut, 5/16-18
27	736-0262	Flat Washer, .385 x .870 x .092
28	736-0322	Flat Washer, .450 x 1.25 x .164
29	720-05010	Cap, .290 x .500
30	731-07487	Deck Wash Nozzle
31	738-04162C	Shoulder Spacer, .884 x .190
32	938-3056	Shoulder Screw, .5 x 2.5 x 3/8-16
33	942-04312	Blade, 2 in 1, 21.23
34	747-05608	Deck Spring Rod
35	747-06082	Deck Hanger Rod
36	738-04278	Shoulder Screw, .500 x 1/4-20
37	954-04033A	V-Belt
38	756-04129B	Idler Pulley, 4.25 Dia.
39	756-04511A	Idler Pulley, 5.00 Dia.
40	783-06368A	Bracket Belt Guard
41	783-07236	Pulley Cap
42	936-0351	Washer, .760 x 1.50 x .030
43	738-1186A	Spindle Shaft
44	941-0919A	Ball Bearing
45	750-04936	Spacer, .792 x 1.060 x 1.860
46	956-1227	Deck Pulley
47	711-04847B	Hinge Pin
48	732-04372	Torsion Spring
49	783-06074A	Chute Bracket

50" Deck



Ref.	Part Number	Description
1	603-04947	Belt Cover, RH
2	603-04948	Belt Cover, LH
3	903-05037	50" Deck Assembly
4	918-04125B	Spindle Assembly
5	683-05031	Deck Lift Bracket
6	703-05825C	Idler Arm
7	703-08705	Bracket, Belt Guard
8	703-3279	Stop Bracket
9	703-3511B	Finger Guard
10	710-0347	Hex Cap Screw, 3/8-16 x 1.75
11	710-04484	Hex Washer Screw, 5/16-18 x .750
12	710-0573	Hex Cap Screw, 5/16-18 x 1.25
13	710-3005	Hex Cap Screw, 3/8-16 x 1.25
14	710-3144	Hex Cap Screw, 3/8-16 x 2.00
15	710-3157A	Screw, 7/16-20 x 3.25
16	710-3168	Carriage Screw, 3/8-16 x 1.00
17	710-3178	Carriage Screw, 3/8-16 x .75
18	711-06092	J-Hook
19	712-04065	Flange Lock Nut, 3/8-16
20	712-0417A	Hex Flange Nut, 5/8-18
21	714-0162	Cotter Pin, 5.32 x 1.25
22	714-04040	Bow-Tie Cotter Pin, 72
23	917-04074	Deck Adjustment Gear
24	917-05122	Electric PTO Clutch
25	921-04041	Water Nozzle Adapter
26	731-05679	Front Roller
27	731-07487	Deck Wash Nozzle
28	732-04652	Compression Spring, .535 x 1.751
29	732-04927	Extension Spring, 1.25 OD x 1.751
30	710-1260A	Hex Washer Head Screw, 5/16-18 x .75
31	734-04155	Deck Ball Wheel, 5.0

Ref.	Part Number	Description
32	736-0262	Flat Washer, .385 x .870 x .092
33	736-0322	Flat Washer, .450 x 1.25 x .164
34	736-0407	Bell Washer, .45 x 1.0 x .062
35	738-04162C	Shoulder Spacer, .884 x .190
36	738-04278	Shoulder Screw, .500 x 1/4-20
37	938-3056	Shoulder Screw, .5 x 2.5 x 3/8-16
38	942-04053C	Blade, 2 in 1, 17.9
39	747-05608	Deck Spring Rod
40	747-06082	Deck Hanger Rod
41	954-05008	V-Belt
42	756-04129B	Idler Pulley, 4.25 Dia
43	756-04511A	Idler Pulley, 5.00 Dia.
44	783-06368A	Bracket, Belt Guard
45	783-07236	Pulley Cap
46	631-05057	Discharge Chute Assembly
47	710-1652	Hex Washer Screw, 1/4-20 x .625
48	712-0229	Push Nut, 3/8
49	783-06125	Center Skirt
50	783-04415	RH Skirt
51	711-04565	Hinge Pin
52	732-04502	Torsion Spring
53	703-09219	Chute Bracket
54	736-0315	Flat Washer, .76 x 1.50 x .12
55	738-1010A	Spindle Shaft, 5.75
56	941-0919A	Ball Bearing
57	748-0160A	Spacer, .79 x 1.25 x .175
58	750-1000	Spacer, .80 x 1.10 x 1.32
59	750-1349A	Spacer, .79 x 1.82 x .55
60	756-04216	V-Type Pulley, 5.39
61	731-04651	Mulch Plug

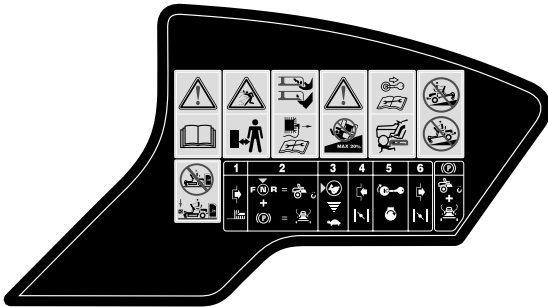
777D18392



777D13929



777S35214



777D17302



777D17303



777D15402



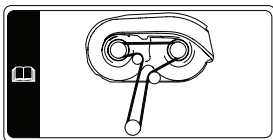
777S30296



777S32356



777I22281 (42")



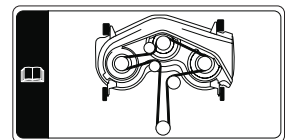
777D09300



777D09287



777I22282 (50")



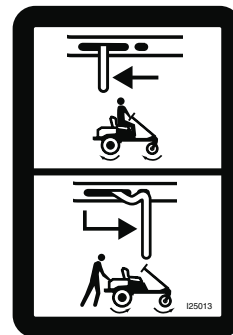
777I25034



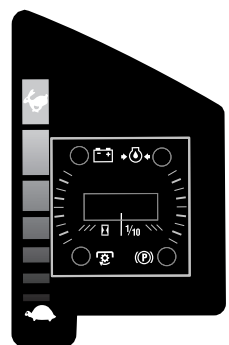
777X40180



777I25013



777I25095



777X46245

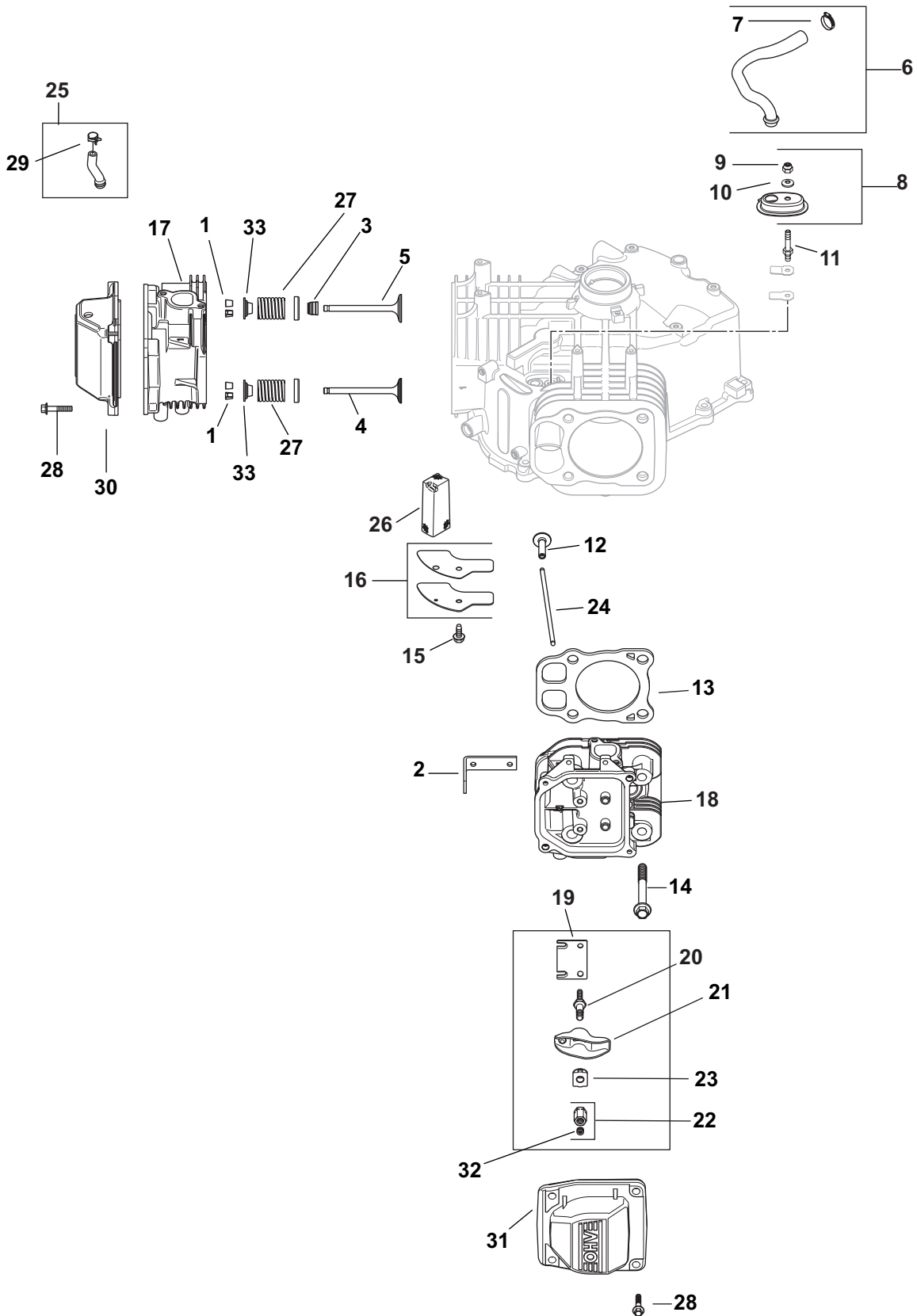


777X40182



Ref.	Part Number	Description
1	KH-12-402-02	Breather Reed
2	KH-24-018-04-S	Breather Reed Retainer
3	KH-24-380-16-S	Locating Pin
4	KH-24-032-19-S	Oil Seal, 1.78 x 1.26
5	KH-32-123-11-S	Tube
6	KH-24-018-01-S	Piston Pin Retainer
7	KH-24-067-31-S	Connecting Rod (STD)
8	KH-24-018-09-S	Ring Retainer
9	KH-24-468-15-S	Flat Washer, 1 ¹ / ₃₂
10	KH-28-032-09-S	Governor Cross Shaft Seal
11	KH-24-144-38-S	Governor Cross Shaft
12	KH-24-126-243-S	Oil Fill Tube Bracket
13	KH-M-545013-S	Flange Screw, M5 x .8 x 13
14	KH-M-931010-S	Flat Washer, 9mm
15	KH-32-038-08-S	Dipstick
16	KH-25-153-09-S	O-Ring
17	KH-12-153-01-S	Lower Oil Fill Tube O-Ring
18	KH-32-010-05-S	Camshaft Assembly
19	KH-25-874-05-S	Piston W/ Ring Kit (STD)
—	KH-25-874-07-S	Piston W/ Ring Kit (0.08) 83mm
—	KH-25-874-08-S	Piston W/ Ring Kit (0.25) 83mm
—	KH-25-874-09-S	Piston W/ Ring Kit (0.50) 83mm
20	N/A	Crankcase (Use Short Block)

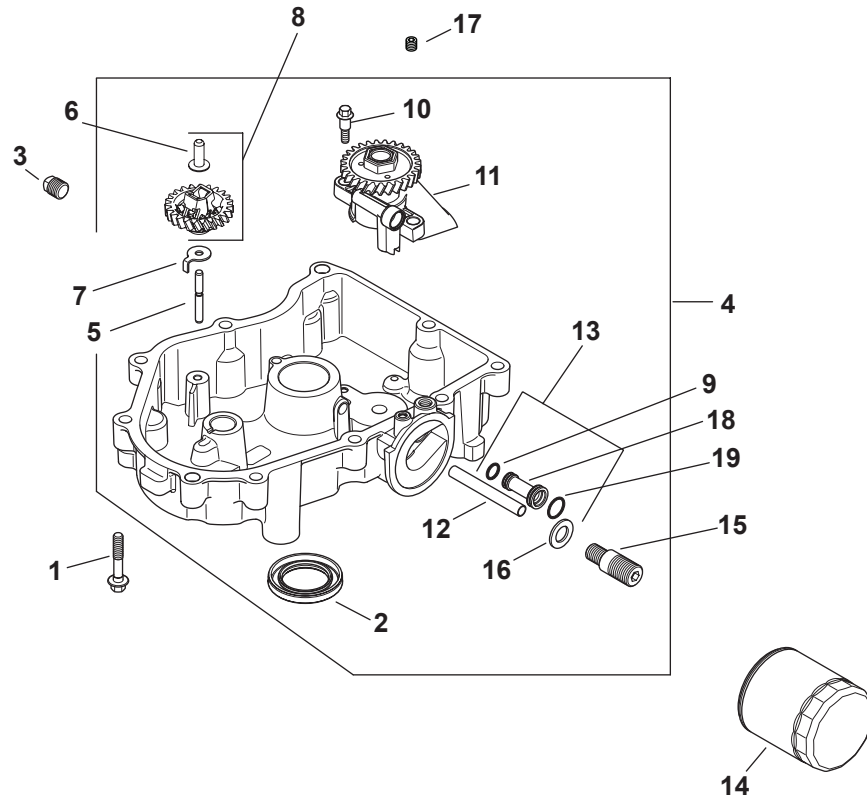
Kohler SV715-3023 Head/Valve/Breather



Kohler SV715-3023 Head/Valve/Breather

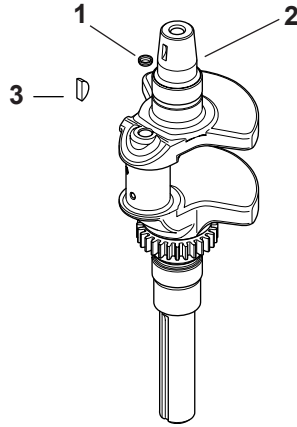
Ref.	Part Number	Description
1	KH-12-755-03	Retainer Kit
2	KH-25-445-03-S	Lifting Strap
3	KH-66-032-05-S	Valve Stem Seal
4	KH-32-016-01-S	Exhaust Valve (STD)
5	KH-32-017-01-S	Intake Valve (STD)
6	KH-32-326-06-S	Breather Hose Kit (Inc. #7)
7	KH-25-237-31-S	Hose Clamp, ½
8	KH-32-081-02-S	Housing Breather Kit (Inc. #9 & 10)
9	KH-M-547050-S	Lock Nut, M5 x 8
10	KH-32-468-01-S	Sealing Washer
11	KH-32-072-03-S	Breather Cover Stud
12	KH-32-019-02-S	Tappet
13	KH-32-841-02-S	Cylinder Head Gasket Kit
14	KH-62-086-08-S	Flange Screw, M10 x 1.5 x 90
15	KH-25-086-397-S	Screw, Thread Forming
16	KH-32-096-04-S	Breather Cover
17	KH-32-318-19-S	Cylinder Head Assembly Kit, #1 (Inc. Exhaust Mounting Hardware)
18	KH-32-318-20-S	Cylinder Head Assembly Kit, #2 (Inc. Exhaust Mounting Hardware)
19	KH-32-146-09-S	Guide Plate
20	KH-32-072-04-S	Rocker Stud
21	KH-32-186-03-S	Rocker Arm
22	KH-32-100-05-S	Hex Nut Assembly (Inc. #32)
23	KH-25-599-01-S	Rocker Arm Pivot
24	KH-32-411-04-S	Push Rod
25	KH-32-326-07-S	Fuel Pump Hose Kit (Inc. #29)
26	KH-32-050-05-S	Breather Filter
27	KH-32-089-05-S	Valve Spring
28	KH-25-086-374-S	Pan Head Screw
29	KH-25-237-01-S	Hose Clamp
30	KH-25-096-10-S	Rocker Cover
31	KH-25-096-09-S	Rocker Cover
32	KH-25-086-168-S	Set Screw
33	KH-25-173-28-S	Valve Spring Cap
NS	KH-32-755-03-S	Cylinder Head Hardware Kit
NS	KH-275067-S	Spacer (.010")

Kohler SV715-3023 Oil Pan/Lubrication



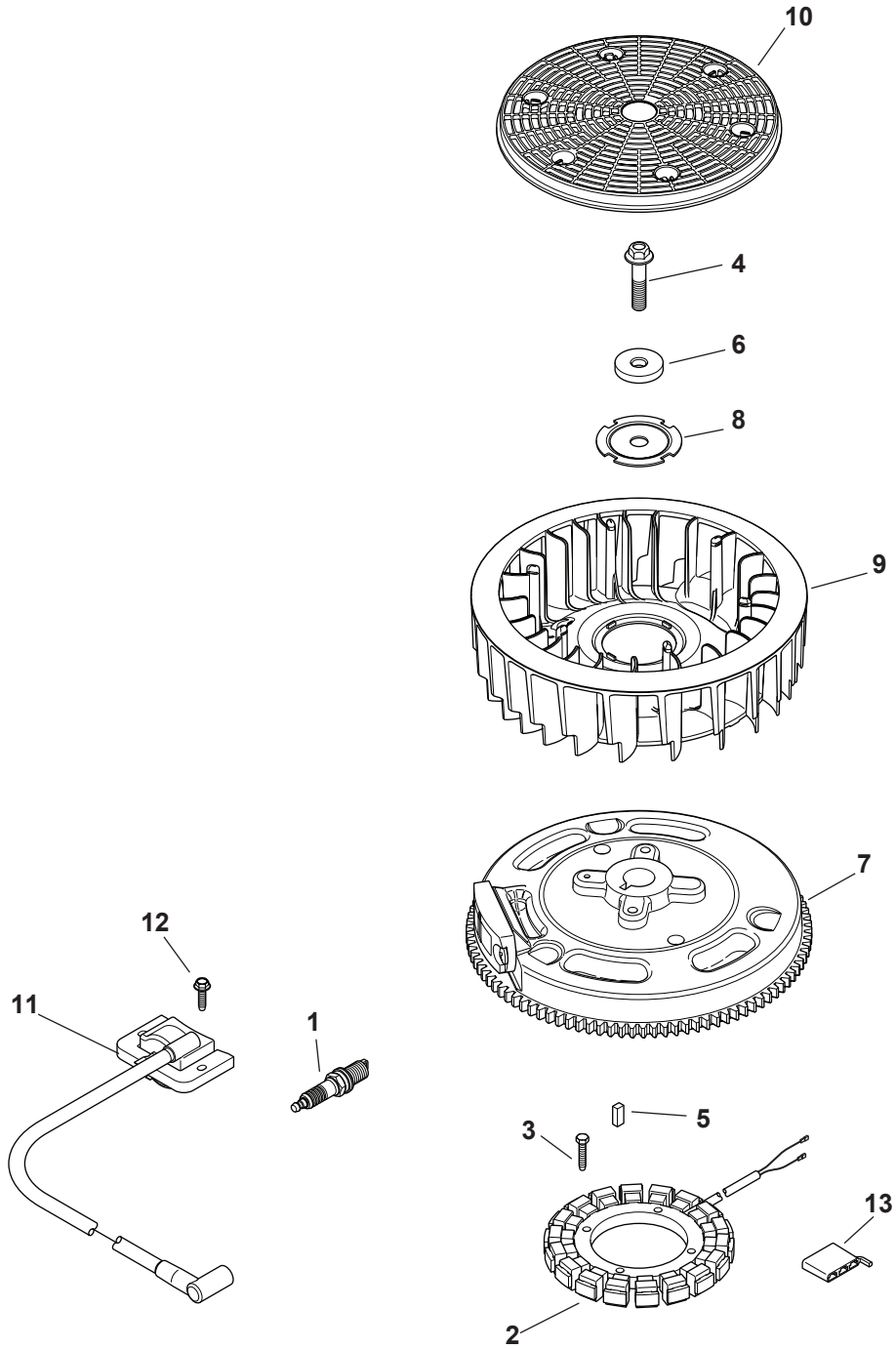
Ref.	Part Number	Description
1	KH-24-086-17-S	Flange Screw, M8 x 1.25 x 45
2	KH-25-032-06-S	Oil Seal, 2.38 x 1.45
3	KH-25-139-57-S	Square Head Pipe Plug, 3/8
4	KH-32-199-14-S	Oil Pan Assembly
5	KH-12-144-02	Governor Gear Shaft
6	KH-12-380-01	Governor Regulating Pin
7	KH-24-448-02-S	Locking Tab
8	KH-32-310-02-S	Governor Gear Kit
9	KH-24-153-01	Oil Pick-Up O-Ring
10	KH-32-086-01-S	Screw

Ref.	Part Number	Description
11	KH-32-393-16-S	Oil Pump Assembly
12	KH-32-123-01-S	Oil Feed Tube (Filter to Oil Pan)
13	KH-32-123-09-S	Oil Feed Tube Assembly
14	KH-12-050-01-S	Oil Filter
15	KH-32-136-05-S	Oil Filter Nipple
16	KH-32-468-02-S	Flat Washer
17	KH-25-139-60-S	Plug, Ctsk. Pipe Plug, 1/8
18	KH-32-123-06-S	Oil Feed Tube
19	KH-32-153-05-S	O-Ring



Ref.	Part Number	Description
1	KH-52-139-09-S	Cup Plug
2	KH-32-014-313-S	Crankshaft
3	KH-X-43-1-S	Key, 1/8" x 1/2"

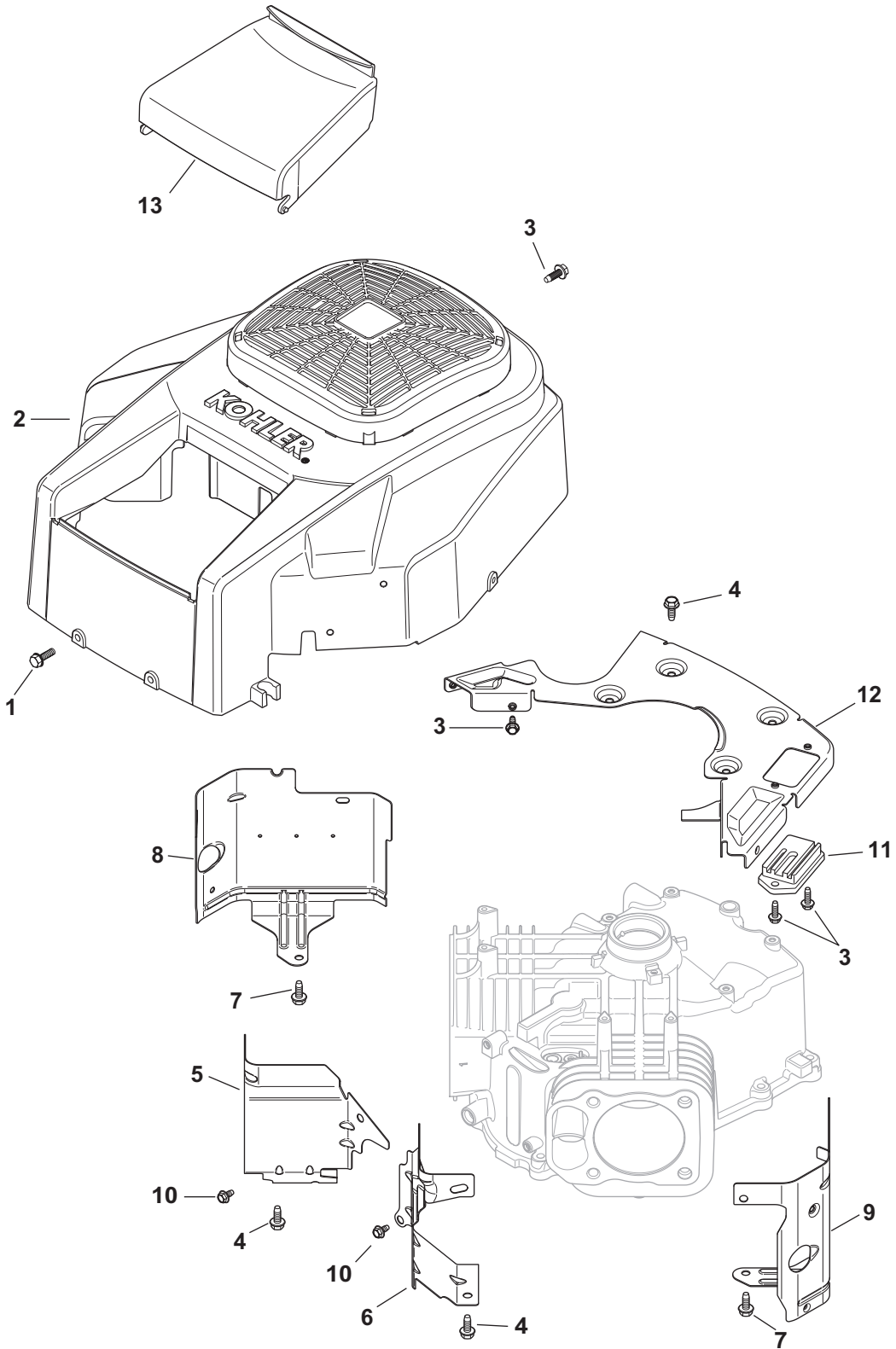
Kohler SV715-3023 Ignition/Electrical



Kohler SV715-3023 Ignition/Electrical

Ref.	Part Number	Description
1	759-3336	Spark Plug
2	KH-237878	15 Amp Stator Kit
3	KH-25-086-402-S	Screw
4	KH-25-086-361-S	Hex Flange Screw
5	KH-25-340-04-S	Square Key
6	KH-25-468-09-S	Flat Washer
7	KH-32-025-22-S	Flywheel Assembly
8	KH-20-146-05-S	Fan Mounting Plate
9	KH-32-157-01-S	Fan
10	KH-32-162-03-S	Grass Screen
11	KH-24-584-45-S	Module Ignition Kit
12	KH-M-545020-S	Screw, M5 x .8 x 20
13	KH-25-155-41-S	Connector
N/A	KH-25-454-03-S	Wire Tie
N/A	KH-32-176-24-S	Wiring Harness

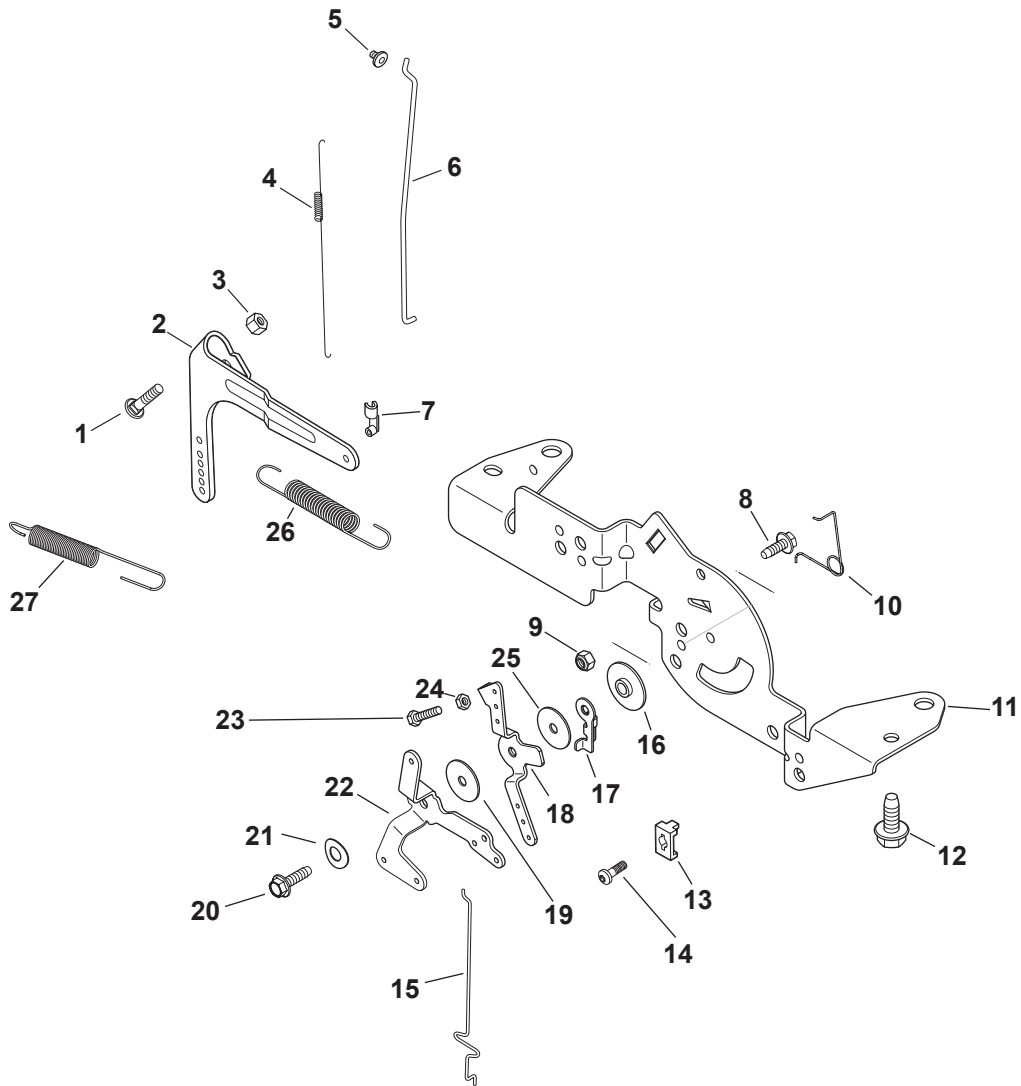
Kohler SV715-3023 Blower Housing & Baffles



Kohler SV715-3023 Blower Housing & Baffles

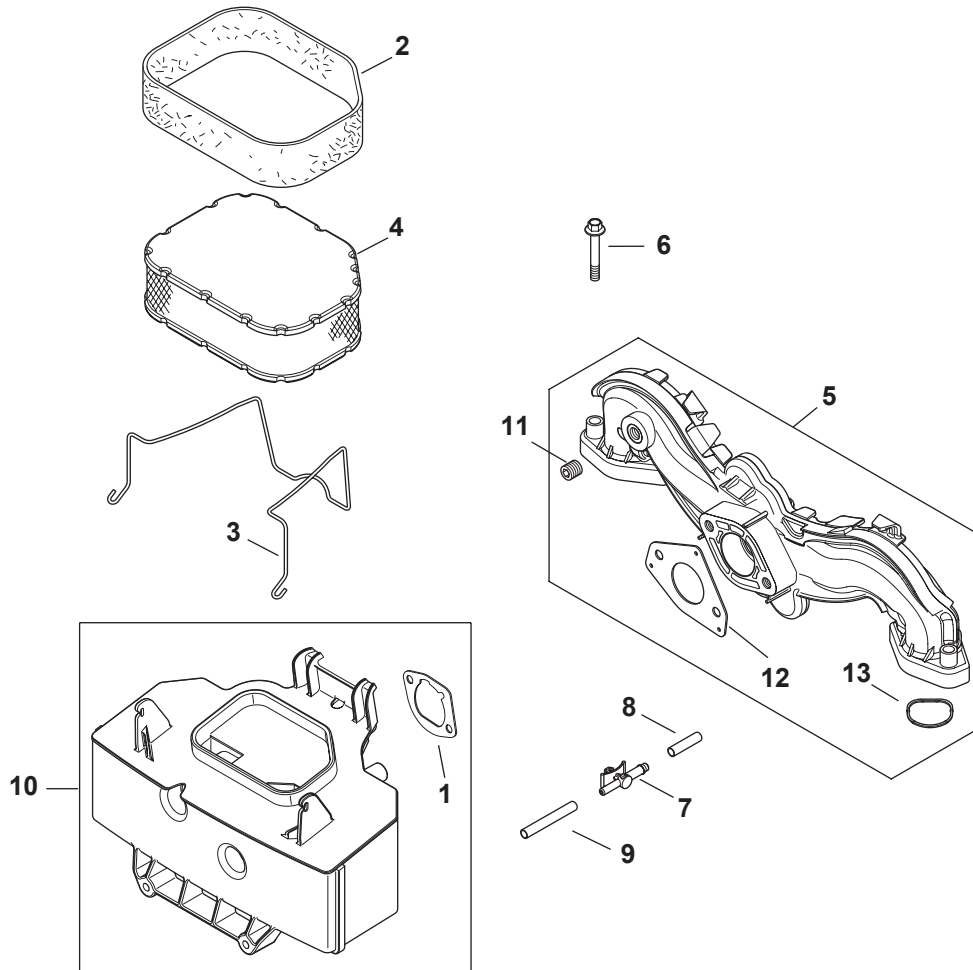
Ref.	Part Number	Description
1	KH-24-086-12	Screw, M6 x 1.7 x 18
2	KH-32-027-08-S	Blower Housing Kit
3	KH-M-545016-S	Flange Screw, M5 x .8 x 16
4	KH-M-645016-S	Flange Screw, M6 x 1.0 x 16
5	KH-24-063-93-S	Valley Baffle, #1 Cylinder
6	KH-24-063-94-S	Valley Baffle, #2 Cylinder
7	KH-25-086-158-S	Flange Screw, M6 x 1.0 x 10
8	KH-32-063-10-S	Cylinder Barrel Baffle, #1 Side
9	KH-32-063-12-S	Cylinder Barrel Baffle, #2 Side
10	KH-M-0545010	Flange Screw, M5 x .8 x 10
11	KH-41-403-10-S	Regulator/Rectifier
12	KH-32-146-05-S	Backing Plate Kit
13	KH-32-096-08-S	A/C Cover
NS	KH-32-113-11-S	Fixed Guard Decal
NS	KH-41-037-10-S	Nameplate

Kohler SV715-3023 Engine Controls

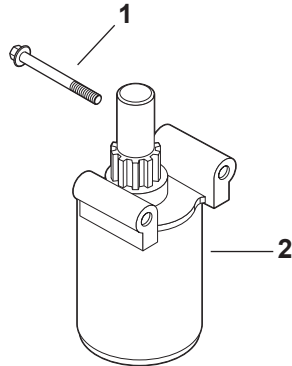


Ref.	Part-Number	Description
1	KH-24-211-03-S	Bolt, M6 x 1.0 x 25
2	KH-24-090-57-S	Governor Lever
3	KH-M-641060-S	Flange Nut, M6 x 1.0
4	KH-24-089-01	Linkage Spring
5	KH-25-158-08	Linkage Retaining Bushing
6	KH-24-079-04	Throttle Linkage
7	KH-25-158-11	Throttle Linkage Bushing
8	KH-M-545016-S	Flange Screw, M5 x .8 x 16
9	KH-M-547050-S	Lock Nut, M5 x .8
10	KH-24-089-03	Choke Return Spring
11	KH-32-126-04-S	Control Bracket
12	KH-M-645016-S	Flange Screw, M6 x 1.0 x 16
13	KH-12-237-01	Cable Clamp
14	KH-24-086-43-S	Screw, M5 x .8 x 16
15	KH-24-079-22-S	Choke Linkage
16	KH-24-112-27-S	Control Assembly Spacer
17	KH-24-090-47-S	Throttle Actuator Lever
18	KH-24-090-13	Throttle Control Lever
19	KH-24-468-01	Flat Washer, 5.5mm
20	KH-M-545020-S	Flange Screw, M5 x .8 x 20
21	KH-41-468-03	Spring Washer, ¼
22	KH-24-090-05	Choke Lever
23	KH-M-403025	Screw, M4 x .7 x 25
24	KH-M-446030-S	Nut, M4 x .7
25	KH-24-468-20-S	Flat Washer, 5mm
26	KH-24-089-55-S	Governor Spring
27	KH-24-089-18-S	Governor Spring

Kohler SV715-3023 Air Intake/Filtration

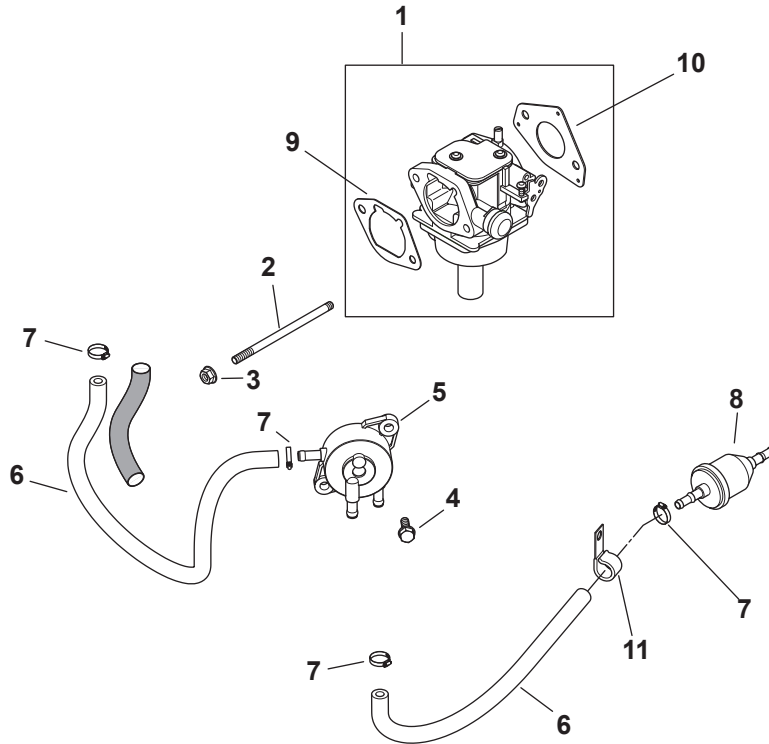


Ref.	Part Number	Description
1	KH-24-041-14	Air Cleaner Base Gasket
2	KH-32-883-03-S1	Pre-Cleaner Element
3	KH-32-344-02-S	Air Cleaner Element Latch
4	KH-32-883-03-S1	Air Filter Element
5	KH-24-164-91-S	Intake Manifold Kit
6	KH-M-651040-S	Flange Screw, M6 x 1.0 x 40
7	KH-25-155-51-S	Evaporative Connector
8	KH-25-173-33-S	Evaporative Mask
9	KH-25-326-08-S	Evaporative Hose, 20"
10	KH-32-094-08-S	Air Cleaner Base
11	KH-25-139-60-S	Pipe Plug, 1/8
12	KH-24-041-52-S	Carburetor Gasket
13	KH-24-153-27-S	Intake Port O-Ring



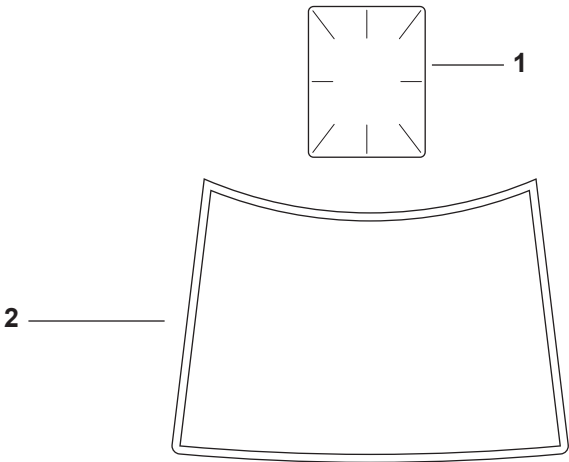
Ref.	Part Number	Description
1	KH-M-851080-S	Flg. Screw, M8 X 1.25 X 80
2	KH-32-098-04-S	Starter Assembly
—	KH-12-243-04-S	Brush Assembly
—	KH-32-211-01-S	Thru Bolt
—	KH-32-227-01-S	End Cap

Kohler SV715-3023 Fuel System



Ref.	Part-Number	Description
1	KH-32-853-22-S	Carburetor Kit
2	KH-25-072-25-S	Stud
3	KH-M-641060-S	Flange Nut, M6 x 1.0
4	KH-24-086-12	Tap Screw, M6 x 1.7 x 18
5	KH-24-393-16	Fuel Pump
6	KH-25-111-81-S	Fuel Line
7	KH-25-237-37-S	Hose Clamp, ½
8	KH-25-050-22-S1	Fuel Filter
9	KH-24-041-14	Air Cleaner Base Gasket
10	KH-24-041-52-S	Carburetor Gasket
11	KH-47-154-01-S	Cable Clip

Kohler SV715-3023 Labels



Artwork is representative.
Actual labels may differ depending on model and specification number.

Ref.	Part Number	Description
1	KH-25-113-39-S	Clear Laminate Decal
2	KH-32-113-76-S	Decal, 22 HP



To order replacement parts, call a Customer Support Representative at (800) 965-4CUB.
Locate your nearest Cub Cadet dealer at (877) 282-8684
or visit www.cubcadet.com to find the nearest Cub Cadet dealer in your area.

CUB CADET LLC, P.O. BOX 361131 CLEVELAND, OHIO 44136-0019
