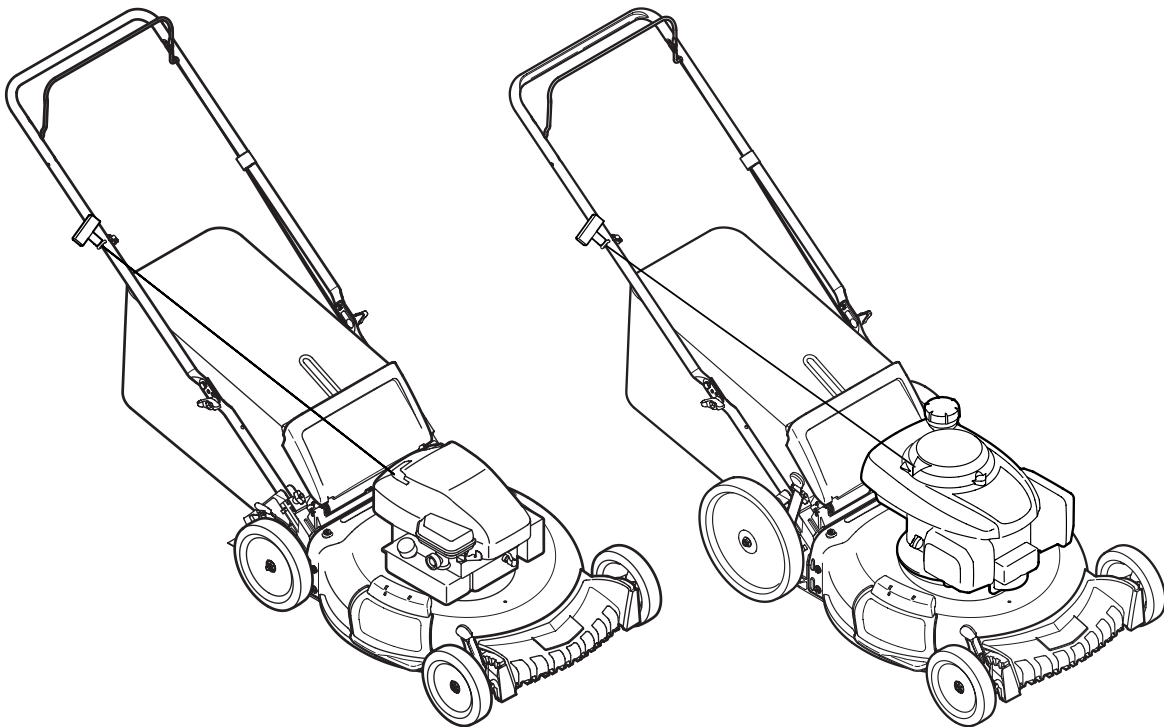




ILLUSTRATED PARTS MANUAL



Push Mower — Models TB110, TB115, TB120 & TB130

TROY-BILT LLC, P.O. BOX 361131 CLEVELAND, OHIO 44136-0019

To The Owner

Thank You

Thank you for purchasing an MTD Lawn Mower. It was carefully engineered to provide excellent performance when properly operated and maintained.

All information in this manual is relative to the most recent product information available at the time of printing. Please be aware that this Illustrated Part's Manual may cover a range of product specifications for various models.

Components listed and/or illustrated in this manual may not be applicable to all models. We reserve the right to change product specifications, designs and equipment without notice and without incurring obligation.

Throughout this manual, all references to *right* (RH) and *left* (LH) are observed from the operating position.

Table of Contents

[Model TB110 \(11A-A23O/BM\)..... 4](#)
[Model TB120 \(11A-B22J\)..... 6](#)
[Model TB130 \(11A-B2A/1Q\)..... 8](#)
[Model TB115 \(11A-B2BM\) 10](#)
[Engine Model 5X65RU..... 12](#)

Record Product Information

To ease in ordering replacement parts, please locate the model plate on the equipment and record the information in the provided area to the right. You can locate the model plate by looking beneath the seat.

MODEL NUMBER

--	--	--	--	--	--	--	--	--	--	--	--

SERIAL NUMBER

--	--	--	--	--	--	--	--	--	--	--	--

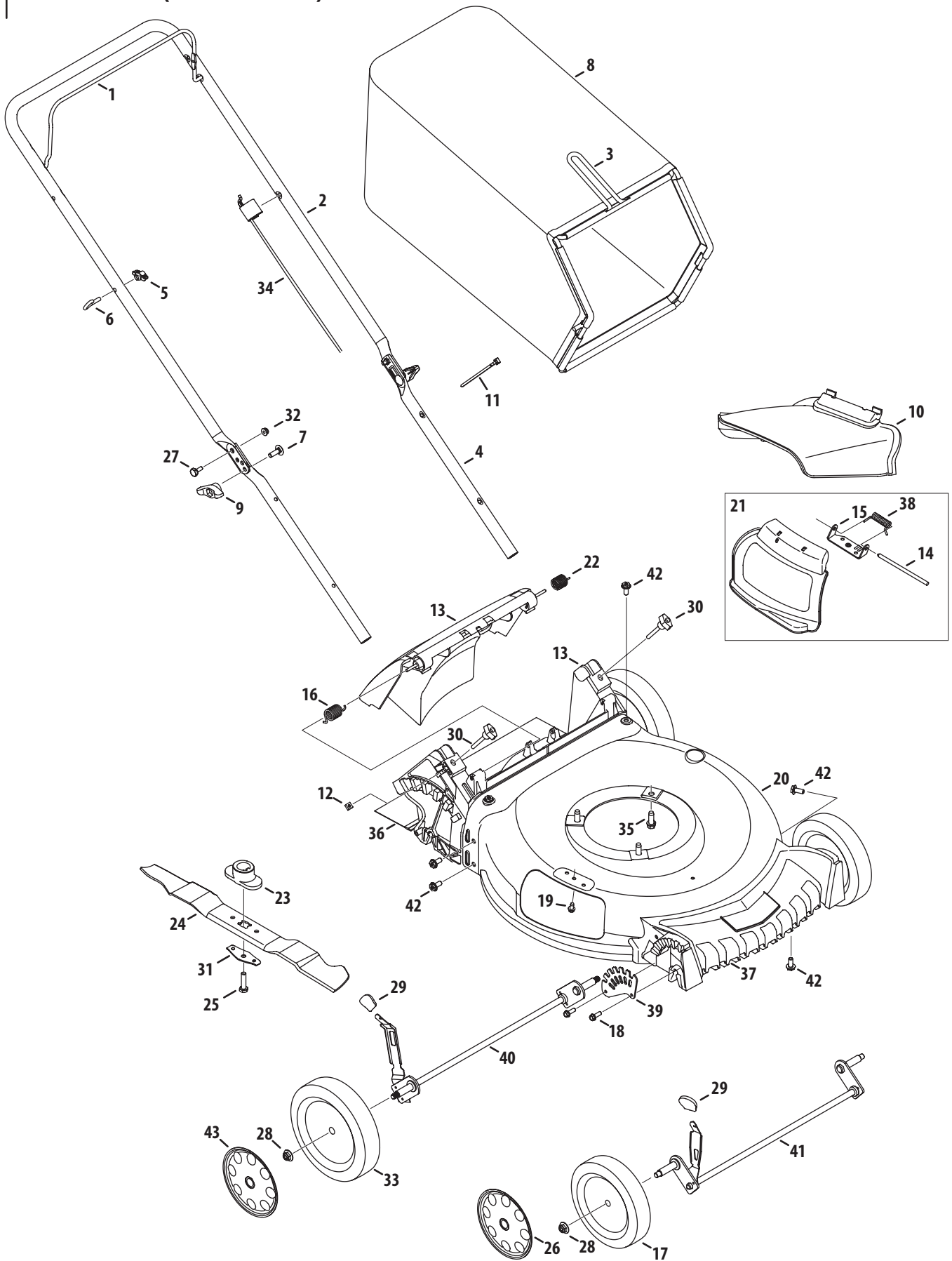
Painted Parts

When ordering painted service parts, a four digit color suffix must be added to the part number (e.g. 783-XXXXX-0637). Please refer to the table below for current color codes:

0637	Black	0674	Yellow (Yard-Man)
0709	Dark Green (Bolens, Yard-Man)	0650	Metallic Red (White Outdoor)
0662	Oyster Gray (MTD Gold)	0629	Silver Flake (MTD Platinum)
0638	Red (Yard Machines, Huskee, Troy-Bilt, MTD)	04038	Day Orange (Daedong)
0691	Black Jack (MTD Gold, MasterCut)	04033	Flint Mica (Troy-Bilt XP)

This page left intentionally blank.

Model TB110 (11A-A230/BM)

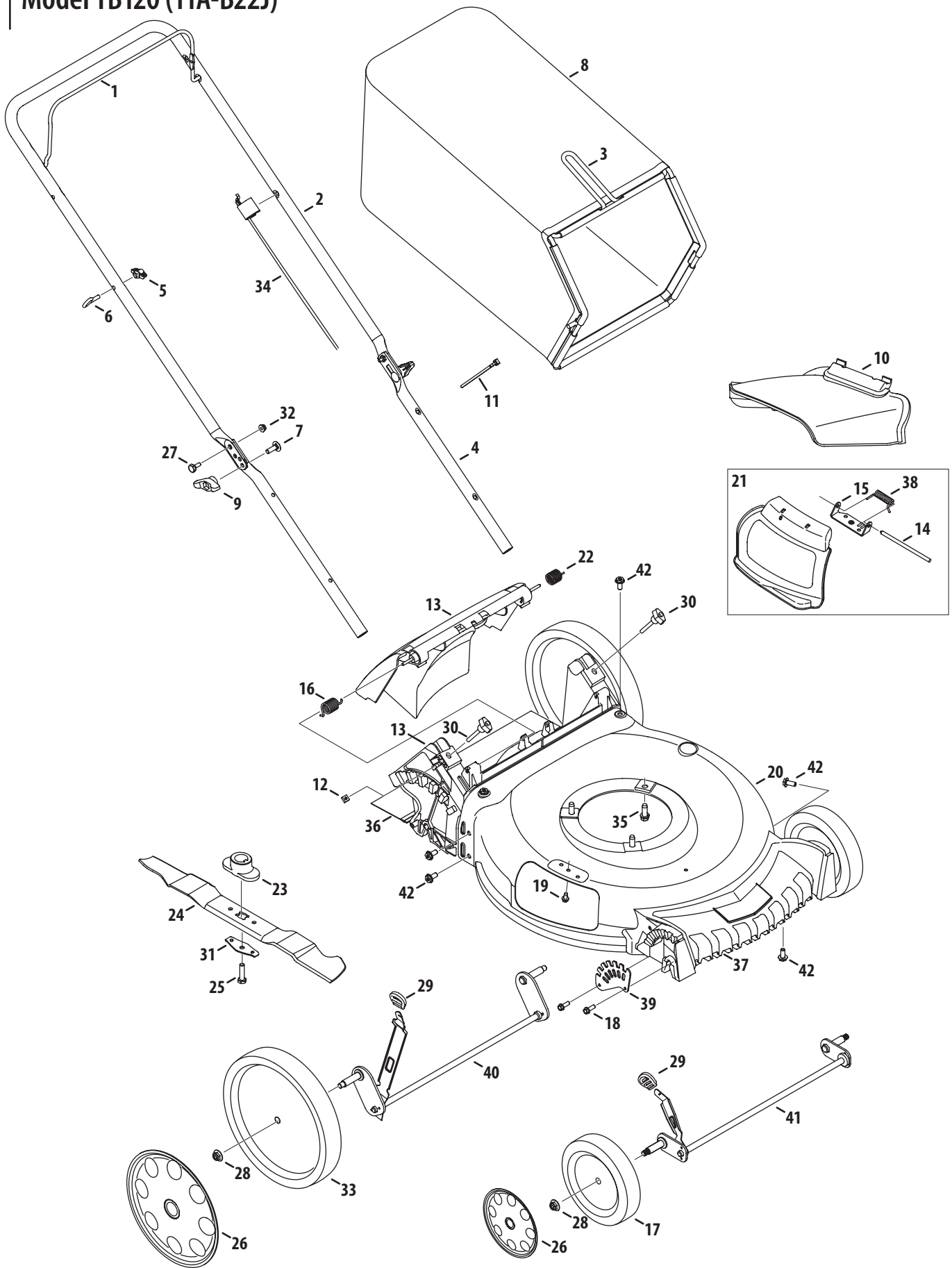


Model TB110 (11A-A230/BM)

Ref No.	Part Number	Description
1	747-05214D	Blade Control
2	749-04681	Upper Handle
3	647-04271	Grass Catcher Frame
4	749-04608A	Lower Handle
5	720-0279	Wing Nut
6	710-1205	Rope Guide
7	710-04998	Carriage Screw ,5/16-18
8	964-04117B	Grass Bag
9	720-04124	Wing Knob
10	731-07131	Side Chute
11	725-0157	Cable Tie
12	712-04222	Nut, Sq., 1/4-20
13	631-04369A	Rear Discharge Door Assembly
	631-04371A	Rear Discharge Door Assembly- (Lowe's)
14	747-0710A	Hinge Pin
15	787-01779	Chute Deflector Bracket
16	732-05061A	Torsion Spring - RH
17	634-04607	Front Wheel
18	710-0895	Screw, 1/4-15 x .750
19	710-05073	Screw, 1/4-20 x .500
20	787-01869A	Deck , 21"
21	987-02516A	Hinged Mulch Plug Assembly

Ref No.	Part Number	Description
22	732-05062A	Torsion Spring - LH
23	748-0376E	Blade Adapter
24	942-0741A	Mulching Blade
25	710-1044	Screw , 3/8-24 x 1.50
26	731-07197	Hub Cap, 7"
27	738-04419A	Slidr. Screw, .375 x .126 x 1/4-20
28	712-04217	Flange Lock Nut, 3/8-16
29	720-04131A	Adjustment Lever Knob
30	720-05066	Wing Nut
31	736-0524B	Blade Bell Support
32	712-04064	Nut, Flange Lock, 1/4-20
33	634-04660	Rear Wheel
34	946-04661A	Control Cable
35	710-04683A	TT Sems Screw, 3/8-16 x 1.0
36	731-07203	Trail Shield
37	731-07195A	Front Cover
38	732-1014C	Torsion Spring
39	787-01818A	Front Height Adjuster Plate
40	911-04142A	Rear Axle Assembly
41	911-04143B	Front Axle Assembly
42	710-04995A	Screw, 5/16-14 x .750
43	731-07198	Hub Cap, 8"

Model TB120 (11A-B22J)

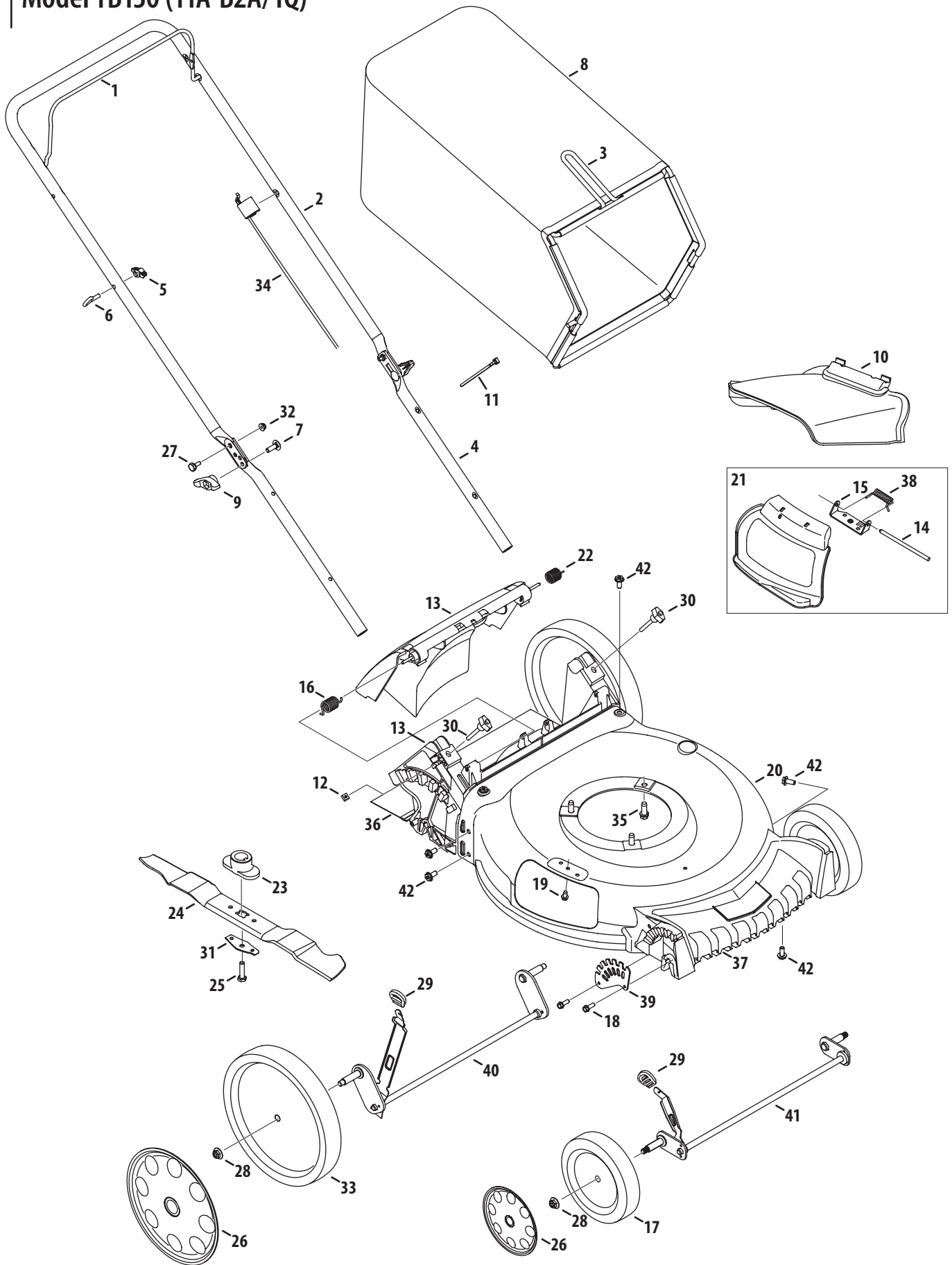


Model TB120 (11A-B22J)

Ref No.	Part Number	Description
1	747-05214D	Blade Control
2	749-04681	Upper Handle
3	647-04271	Grass Catcher Frame
4	749-04608A	Lower Handle
5	720-0279	Wing Nut
6	710-1205	Rope Guide
7	710-04998	Carriage Screw ,5/16-18
8	964-04117B	Grass Bag
9	720-04124	Wing Knob
10	731-07131	Side Chute
11	725-0157	Cable Tie
12	712-04222	Nut, Sq., 1/4-20
13	631-04369A	Rear Discharge Door Assembly
14	747-0710A	Hinge Pin
15	787-01779	Chute Deflector Bracket
16	732-05061A	Torsion Spring - RH
17	634-04607	Front Wheel
18	710-0895	Screw, 1/4-15 x .750
19	710-05073	Screw, 1/4-20 x .500
20	787-01869A	Deck, 21"
21	987-02516A	Hinged Mulch Plug Assembly
22	732-05062A	Torsion Spring - LH

Ref No.	Part Number	Description
23	748-04096	Blade Adapter
24	942-0741A	Mulching Blade
25	710-1044	Screw , 3/8-24 x 1.50
26	731-07197	Hub Cap - Front
	731-07199	Hub Cap - Rear
27	738-04419A	Sldr. Screw, .375 x .126 x 1/4-20
28	712-04217	Flange Lock Nut, 3/8-16
29	720-04131A	Adjustment Lever Knob
30	720-05066	Wing Nut
31	736-0524B	Blade Bell Support
32	712-04064	Nut, Flange Lock, 1/4-20
33	634-05063	Rear Wheel
34	946-04703A	Control Cable
35	710-04683A	TT Sems Screw, 3/8-16 x 1.0
36	731-07203	Trail shield
37	731-07195A	Front Cover
38	732-1014C	Torsion Spring
39	787-01818A	Front Height Adjuster Plate
40	911-04144B	Rear Axle Assembly
41	911-04143B	Front Axle Assembly
42	710-04995A	Screw, 5/16-14 x .750

Model TB130 (11A-B2A/1Q)

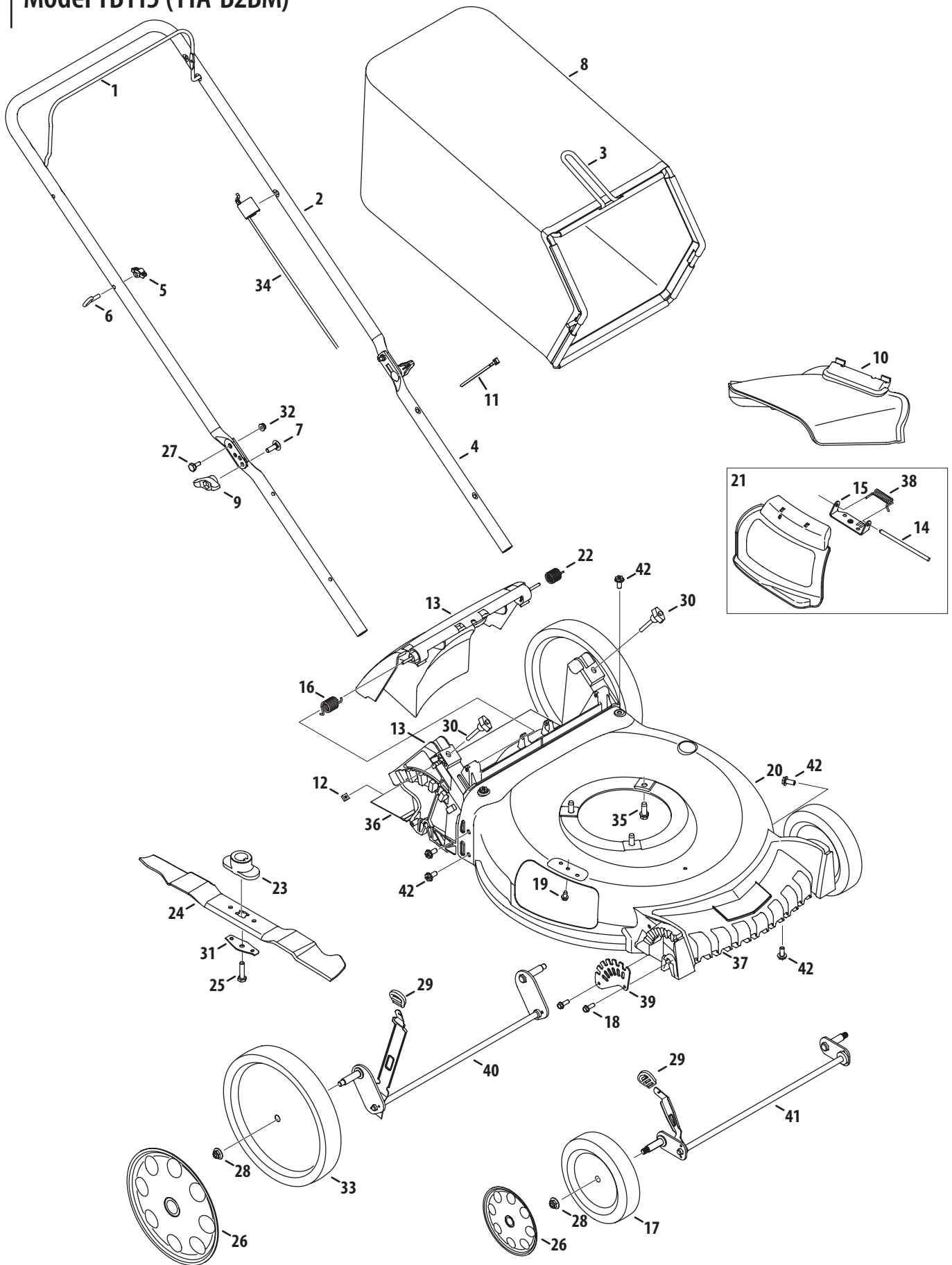


Model TB130 (11A-B2A/1Q)

Ref No.	Part Number	Description
1	747-05214D	Blade Control
2	749-04681	Upper Handle
3	647-04271	Grass Catcher Frame
4	749-04608A	Lower Handle
5	720-0279	Wing Nut
6	710-1205	Rope Guide
7	710-04998	Carriage Screw ,5/16-18
8	964-04117B	Grass Bag
9	720-04124	Wing Knob
10	731-07131	Side Chute
11	725-0157	Cable Tie
12	712-04222	Nut, Sq., 1/4-20
13	631-04371A	Rear Discharge Door Assembly
	631-04369A	Door Assembly, International
14	747-0710A	Hinge Pin
15	787-01779	Chute Deflector Bracket
16	732-05061A	Torsion Spring - RH
17	634-04607	Front Wheel
18	710-0895	Screw, 1/4-15 x .750
19	710-05073	Screw, 1/4-20 x .500
20	787-01869A	Deck , 21"
21	987-02516A	Hinged Mulch Plug Assembly
22	732-05062A	Torsion Spring - LH

Ref No.	Part Number	Description
23	748-04096	Blade Adapter
24	942-0741A	Mulching Blade
25	710-1044	Screw , 3/8-24 x 1.50
26	731-07197	Hub Cap - Front
	731-07199	Hub Cap - Rear
27	738-04419A	Sldr. Screw, .375 x .126 x 1/4-20
28	712-04217	Flange Lock Nut, 3/8-16
29	720-04131A	Adjustment Lever Knob
30	720-05066	Wing Nut, Black
	720-05067	Wing Nut, Red
31	736-0524B	Blade Bell Support
32	712-04064	Nut, Flange Lock, 1/4-20
33	634-05063	Rear Wheel
34	946-04661A	Control Cable
35	710-04683A	TT Sems Screw, 3/8-16 x 1.0
36	731-07203	Trail shield
37	731-07195A	Front Cover
38	732-1014C	Torsion Spring
39	787-01818A	Front Height Adjuster Plate
40	911-04144B	Rear Axle Assembly
41	911-04143B	Front Axle Assembly
42	710-04995A	Screw, 5/16-14 x .750

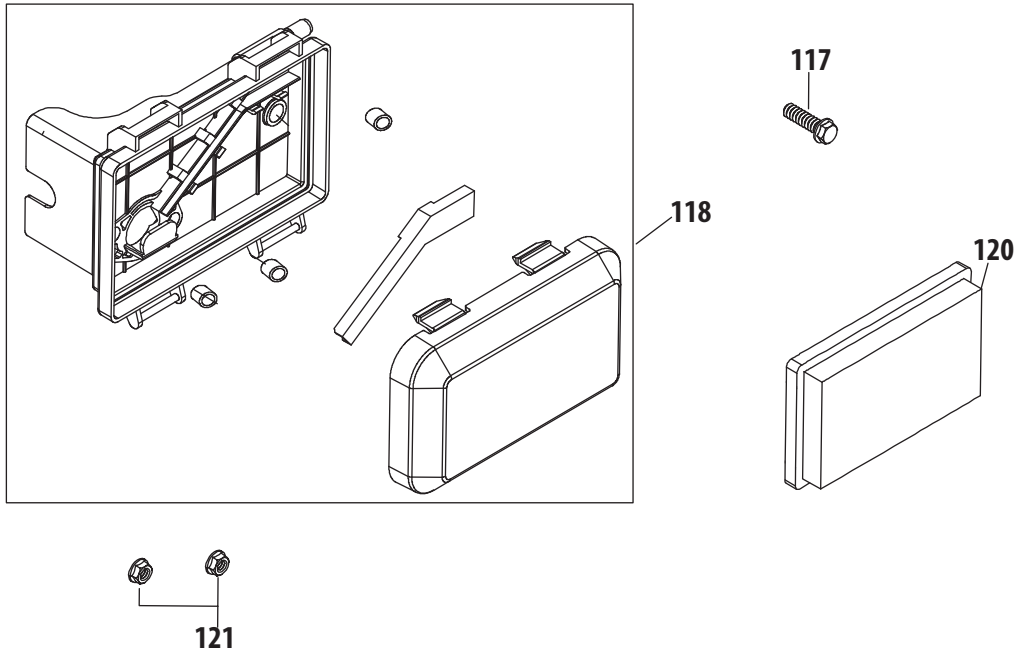
Model TB115 (11A-B2BM)



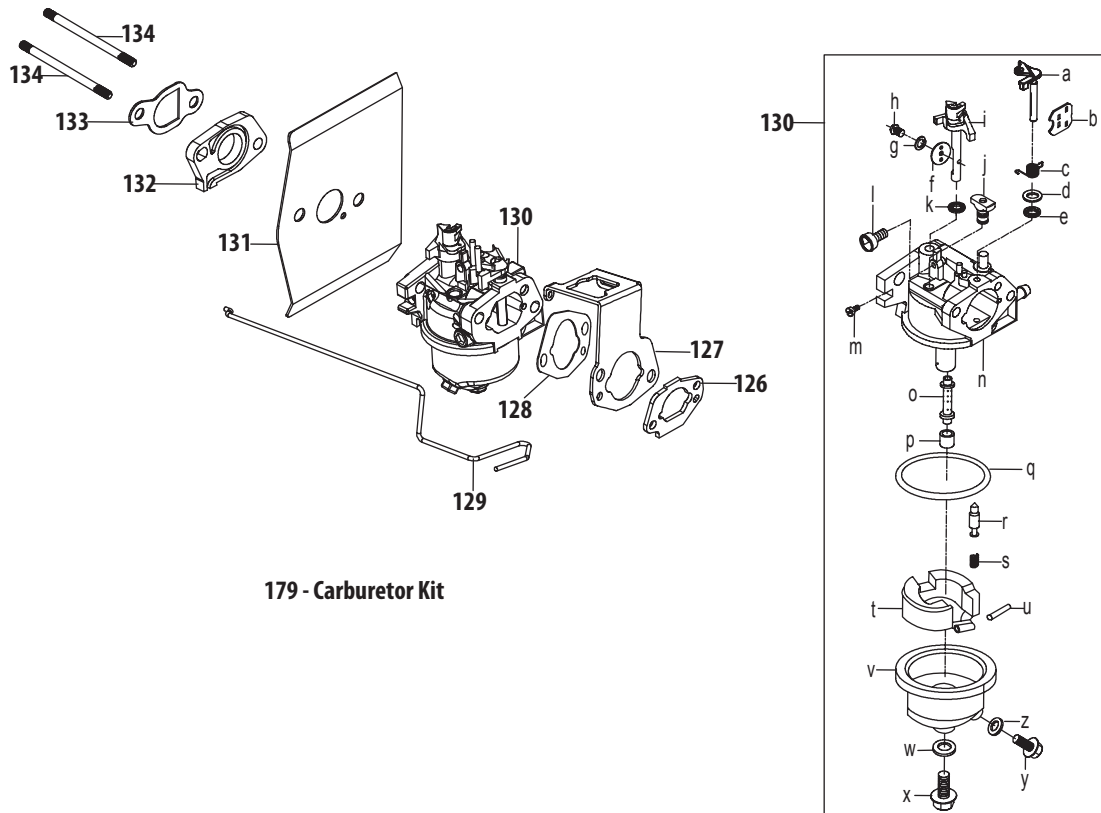
Model TB115 (11A-B2BM)

Ref No.	Part Number	Description	Ref No.	Part Number	Description
1	747-05214D	Blade Control	23	748-0376E	Blade Adapter
2	749-04681	Upper Handle	24	942-0741A	Mulching Blade
3	647-04271	Grass Catcher Frame	25	710-1044	Screw , 3/8-24 x 1.50
4	749-04608A	Lower Handle	26	731-07197	Hub Cap - Front
5	720-0279	Wing Nut		731-07199	Hub Cap - Rear
6	710-1205	Rope Guide	27	738-04419A	Sldr. Screw, .375 x .126 x 1/4-20
7	710-04998	Carriage Screw ,5/16-18	28	712-04217	Flange Lock Nut, 3/8-16
8	964-04117B	Grass Bag	29	720-04131A	Adjustment Lever Knob
9	720-04124	Wing Knob	30	720-05066	Wing Nut
10	731-07131	Side Chute	31	736-0524B	Blade Bell Support
11	725-0157	Cable Tie	32	712-04064	Nut, Flange Lock, 1/4-20
12	712-04222	Nut, Sq., 1/4-20	33	634-05063	Rear Wheel
13	631-04369A	Rear Discharge Door Assembly	34	946-04661A	Control Cable
14	747-0710A	Hinge Pin	35	710-04683A	TT Sems Screw, 3/8-16 x 1.0
15	787-01779	Chute Deflector Bracket	36	731-07203	Trail shield
16	732-05061A	Torsion Spring - RH	37	731-07195A	Front Cover
17	634-04607	Front Wheel	38	732-1014C	Torsion Spring
18	710-0895	Screw, 1/4-15 x .750	39	787-01818A	Front Height Adjuster Plate
19	710-05073	Screw, 1/4-20 x .500	40	911-04144B	Rear Axle Assembly
20	787-01869A	Deck , 21"	41	911-04143B	Front Axle Assembly
21	987-02516A	Hinged Mulch Plug Assembly	42	710-04995A	Screw, 5/16-14 x .750
22	732-05062A	Torsion Spring - LH			

Engine Model 5X65RU Air Cleaner



Ref.	Part Number	Description
117	710-04969	Bolt M6X30 Af Base/Coil/E-Starter
118	951-14439	Air Cleaner Housing Assembly
120	951-10298	Air Cleaner Kit
121	712-05015	Nut M6X10Mm Starter/Carb/Muff



179 - Carburetor Kit

Ref.	Part Number	Description
126	951-14419	Air Filter Base Gasket
127	951-14420	Choke Temp Control Bracket
128	951-14422	Choke Temp Control Bracket Gasket
129	951-14421	Choke Temp Control Linkage
130	951-14423	Carburetor Assembly
131	951-14424	Carburetor Gasket
132	951-11738	Carburetor Insulator
133	951-11528	Carburetor Insulator Gasket
134	951-14425	Carb Stud M6x87
179	951-14446	Carburetor Kit (Incl.e,j,k,l,o,p,q,r,s,t,u,w,z)
a	n/a	Choke Shaft
b	n/a	Choke Plate
c	n/a	Choke Return Spring
d	n/a	Choke Shaft Washer
e	n/a	Choke Shaft Fiber O-Ring
f	n/a	Throttle Plate
g	n/a	Throttle Plate Lock Washer
h	n/a	Screw M3X6 Throttle Plate

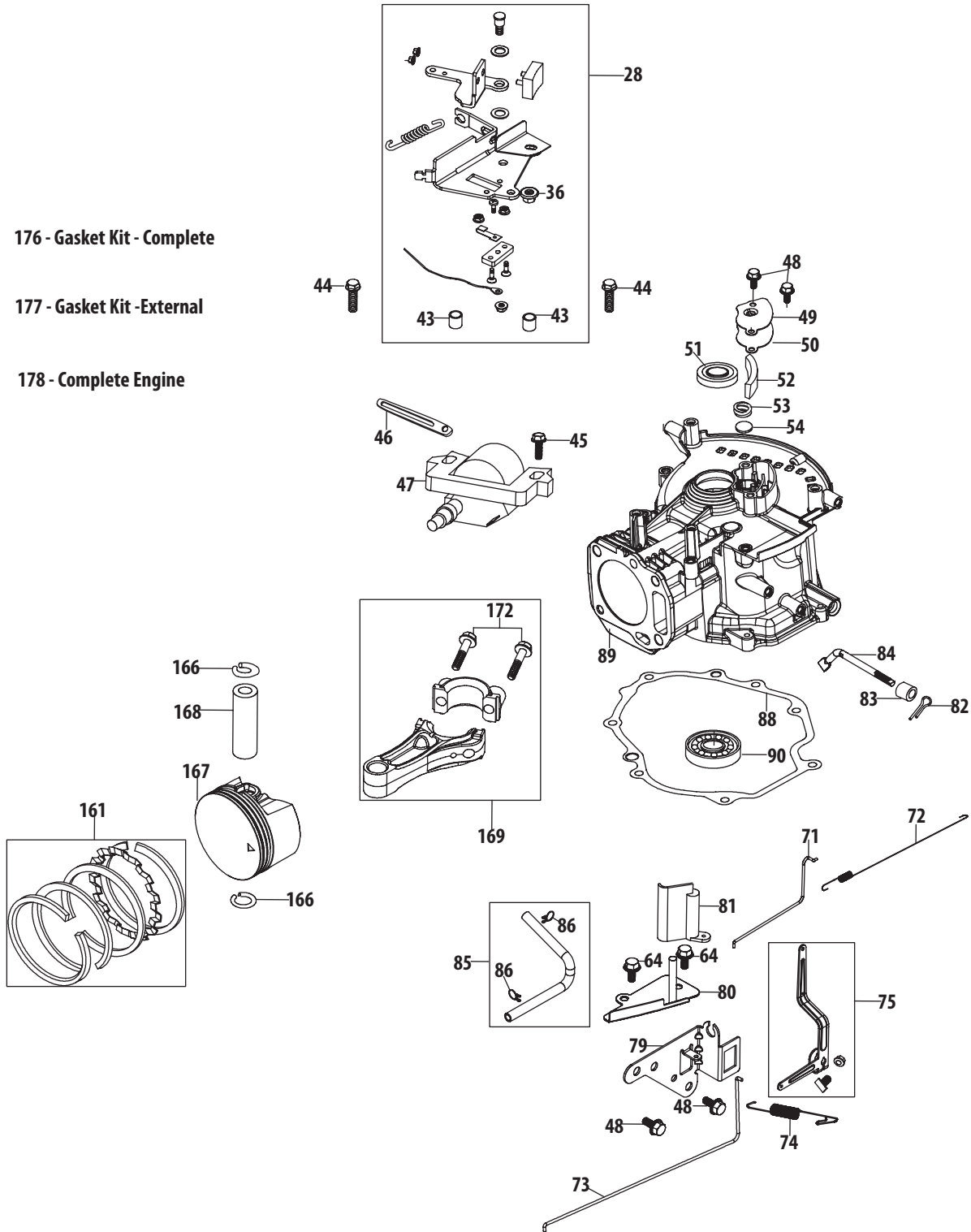
Ref.	Part Number	Description
i	n/a	Throttle Shaft
j	n/a	Idle Jet Assembly
k	n/a	Throttle Shaft Fiber O-Ring
l	n/a	Idle Speed Adjusting Screw
m	n/a	Idle Mixture Screw
n	n/a	Carburetor Body
o	n/a	Emulsion Tube
p	n/a	Main Jet
q	n/a	Fuel Bowl O-Ring
r	n/a	Needle Valve
s	n/a	Needle Valve Spring
t	n/a	Float
u	n/a	Float Pin
v	n/a	Fuel Bowl
w	n/a	Fuel Bowl Gasket
x	n/a	Fuel Bowl Mounting Bolt
y	n/a	Fuel Drain Plug
aa	n/a	Fuel Drain Plug Gasket

5X65RU Crankcase

176 - Gasket Kit - Complete

177 - Gasket Kit - External

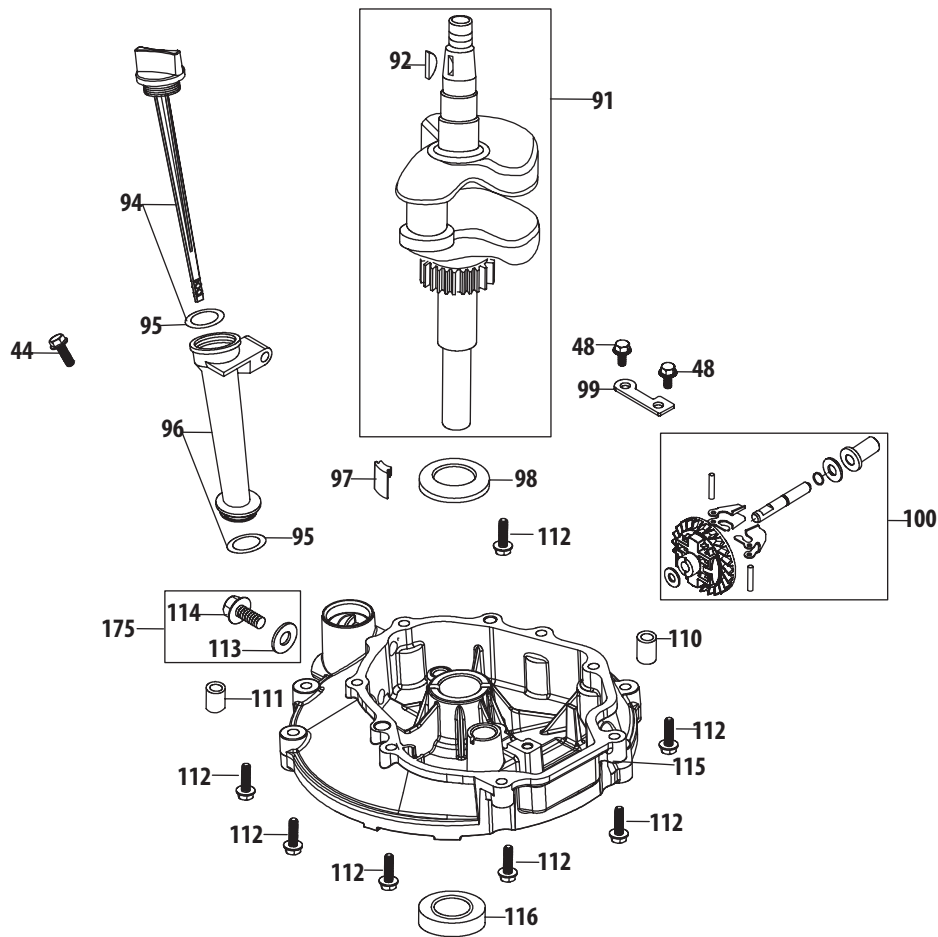
178 - Complete Engine



5X65RU Crankcase

Ref.	Part Number	Description	Ref.	Part Number	Description
28	951-14402	Brake Assembly	82	714-04074	Governor Arm Shaft Cotter Pin
36	712-04219	Brake Arm Nut	83	951-11574	Governor Seal
38	712-04209	Ground Switch Nuts M4	84	951-14416	Governor Arm Shaft
43	750-05384	Brake Spacer	85	951-11520	Breather Hose Assembly
44	710-04980	Bolt M6X35 Af Base/Brake/Dipstick	86	726-04101	Breather Hose Clamp
45	710-04918	Bolt M6x20 Ignition Coil	88	951-14415	Crankcase Cover Gasket
46	951-11622	Flexible Clamp, Ignition Coil	89	951-14447	Short Block
47	951-14403	Ignition Coil Assembly			(Incl.48-54,82-84,88-92,95,97-100, 110-116,126,132,133,149,152,156, 157,159-161,166-169,172)
48	710-04916	Bolt M6X14 Multi-Purpose	90	951-11369	Main Bearing
49	951-14404	Breather Cover Plate	161	951-14433	Piston Ring Set
50	951-14405	Breather Gasket	166	951-11603	Piston Pin Snap Ring
51	951-11596	Upper Crankshaft Seal	167	951-14434	Piston
52	951-11730	Breather Screen	168	951-14435	Piston Pin
53	732-04718	Breather Valve Spring	169	951-14436	Connecting Rod Assembly
54	951-11614	Breather Valve	172	710-05115	Connecting Rod Bolt
64	710-04915	Bolt M6X12 Multi-Purpose	176	951-14443	Gasket Kit - Complete
71	951-14408	Choke Linkage			(Incl.50,51,83,88,95,113,116,126, 128,131-133,149,152,156)
72	951-14409	Throttle Linkage Spring	177	951-14444	Gasket Kit -External
73	951-14410	Throttle Linkage			(Incl.50,95,113,126,128, 131-133,149,152)
74	951-14411	Governor Spring	178	952Z5X65RU	Complete Engine
75	951-14412	Governor Arm Assembly			
79	951-14413	Component Bracket			
80	951-14414	Air Vane Bracket			
81	951-11529	Air Vane			

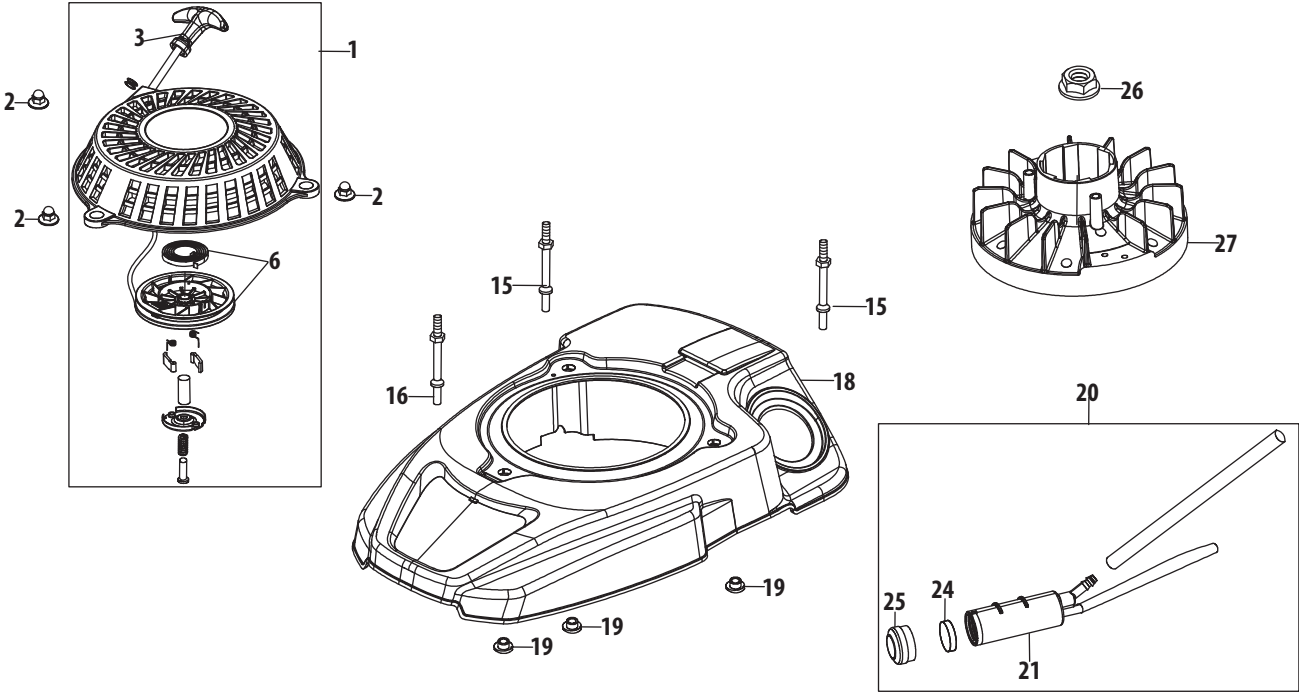
5X65RU Crankshaft & Crankcase Cover



Ref.	Part Number	Description
44	710-04980	Bolt M6X35 Af Base/Brake/Dipstick
48	710-04916	Bolt M6X14 Multi-Purpose
91	951-14417	Crankshaft Assembly
92	951-10307	Flywheel Key
94	951-14440	Oil Dipstick Assembly
95	951-11546	Dipstick / Oil Fill Tube O-Ring
96	951-14441	Oil Fill Tube Assembly
97	951-11733	Oil Return Seal
98	736-04491	Crankshaft Thrust Washer
99	951-11609	Governor Gear Mounting Plate

Ref.	Part Number	Description
100	951-11549	Governor Gear/Shaft Assembly
110	715-04092	Crankcase Cover Dowel Pin 7×14
111	715-04089	Crankcase Cover Dowel Pin 9×14
112	710-04931	Bolt M6X28 X65/P65 Crankcase
113	736-04440	Oil Drain Plug Washer
114	710-04906	Oil Drain Plug
115	951-14418	Crankcase Cover
116	951-11545	Lower Crankshaft Seal
175	951-10370	Oil Drain Plug & Washer Assembly

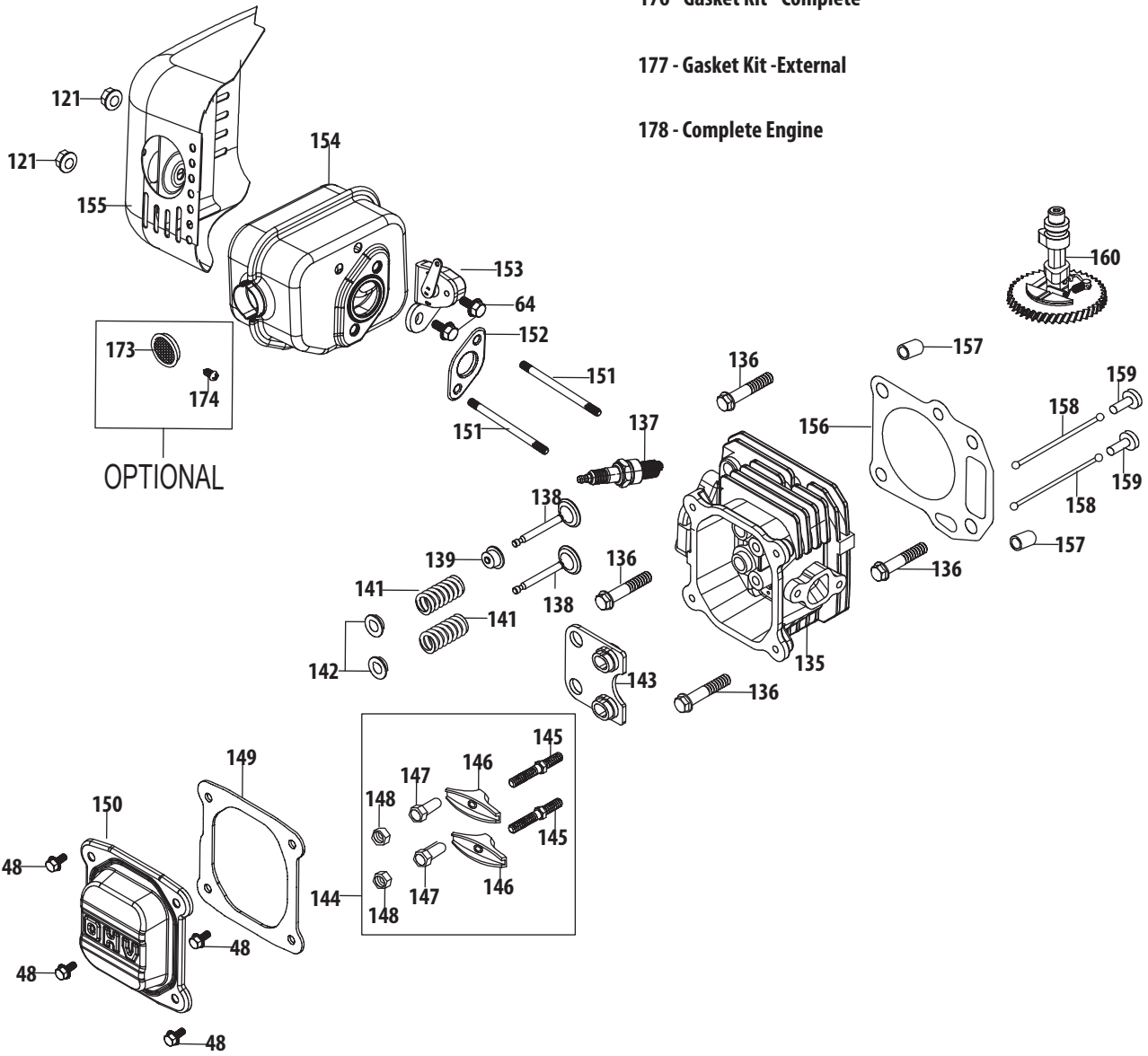
5X65RU Flywheel & Shroud



Ref.	Part Number	Description
1	951-14396	Starter Recoil Assembly
2	712-04290	Starter Acorn Nut
3	731-07925	Starter Handle
6	951-11721	Recoil Pulley & Spring Assembly
15	951-14397	Starter/Shroud Rear Stud M6x78.5
16	951-14398	Starter/Shroud Front Stud M6x74
18	951-14399	Engine Shroud Assembly

Ref.	Part Number	Description
19	750-05320	Engine Shroud Spacer
20	951-14442	Carbon Canister Assembly
21	951-14126	Carbon Canister
24	951-14400	Carbon Canister Filter
25	951-14127	Carbon Canister Filter Cap
26	712-04287	Flywheel Nut M14
27	951-14401	Flywheel

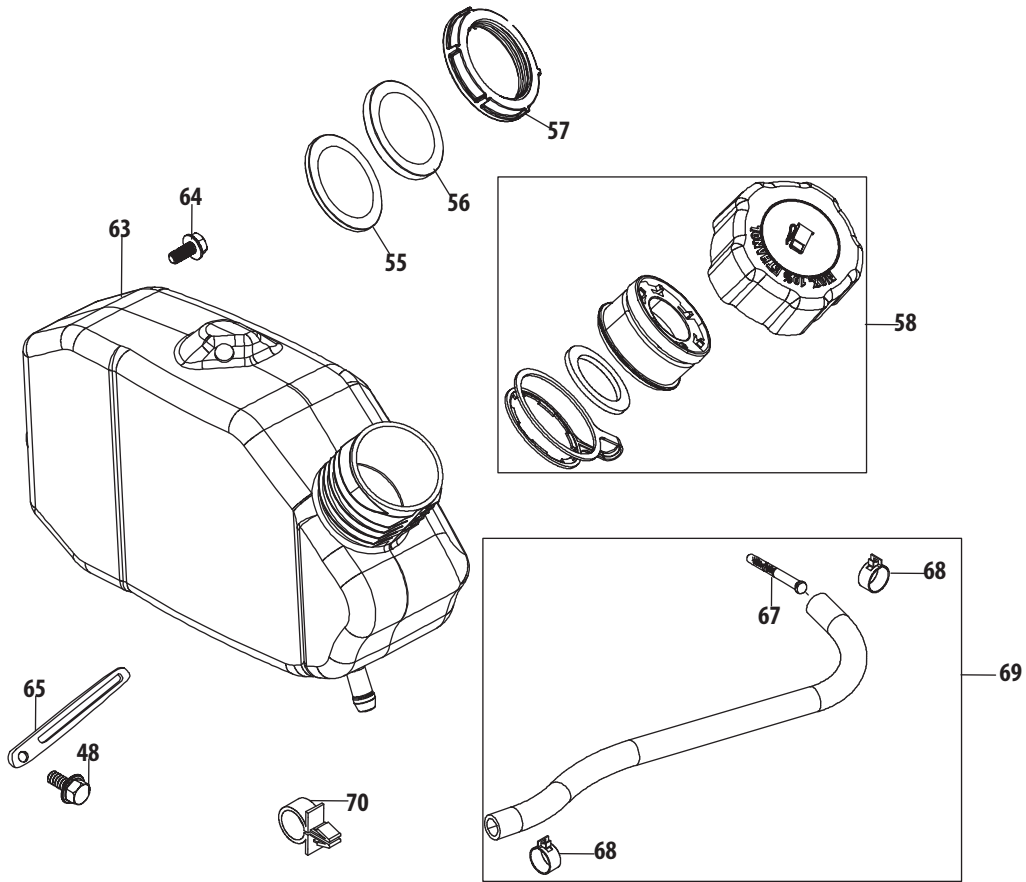
5X65RU Cylinder Head



5X65RU Cylinder Head

Ref.	Part Number	Description	Ref.	Part Number	Description
48	710-04916	Bolt M6X14 Multi-Purpose	151	710-05094	Muffler Stud M6X95
135	951-14448	Cylinder Head Asm (Incl.132,133,135,138-143, 145-149,152,156)	151	951-10342	Muffler Stud Assembly
	951-14445	Cylinder Head Service Kit (Incl.136,139,149,156)	152	951-14427	Muffler Gasket
136	710-04982	Bolt M8X54 Cylinder Head	153	951-14428	Choke Temp Control Thermostat
137	951-14437	Spark Plug, F5Rtc	154	951-14429	Muffler Assembly
138	951-10313	Valve Kit	155	951-14430	Muffler Shield
139	951-11818	Intake Valve Seal	156	951-14431	Cylinder Head Gasket
140	951-10313	Valve Kit	157	715-04108	Cylinder Head Dowel Pin 10x16
141	951-12004	Valve Spring	158	951-10314	Push Rod Kit
142	951-11977	Valve Spring Retainer	159	951-14432	Tappet
143	951-11687	Push Rod Guide	160	951-11741	Camshaft Assembly
144	951-11606	Rocker Arm Assembly	173	951-10351	Spark Arrestor
145	710-04902	Rocker Arm Stud	174	710-04983	Spark Arrestor Screw
146	951-12001	Rocker Arm	176	951-14443	Gasket Kit - Complete (Incl.50,51,83,88,95,113,116,126, 128,131-133,149,152,156)
147	751-11123	Fulcrum Nut	177	951-14444	Gasket Kit -External (Incl.50,95,113,126,128, 131-133,149,152)
148	751-11124	Jam Nut	178	952Z5X65RU	Complete Engine
149	951-11551	Valve Cover Gasket			
150	951-14426	Valve Cover			

5X65RU Fuel Tank



Ref.	Part Number	Description
48	710-04916	Bolt M6X14 Multi-Purpose
55	731-08133	Fuel Tank Lower Grommet
56	951-14406	Fuel Tank Upper Grommet
57	731-08104	Fuel Tank Nut
58	951-14407	Fuel Cap Assembly
63	931-04629	Fuel Tank
64	710-04915	Bolt M6X12 Multi-Purpose
65	951-11680	Flexible Clamp, Vent Hose
67	951-10358A	Fuel Filter
68	951-11700	Fuel Hose Clamp
69	951-14438	Fuel Line Kit
70	723-04071	Plastic Support Clamp

To order replacement parts or locate your nearest service dealer call Customer Support at (800) 828-5500.
or visit www.troybilt.com to find the nearest authorized dealer in your area.

TROY-BILT LLC, P.O. BOX 361131 CLEVELAND, OHIO 44136-0019
