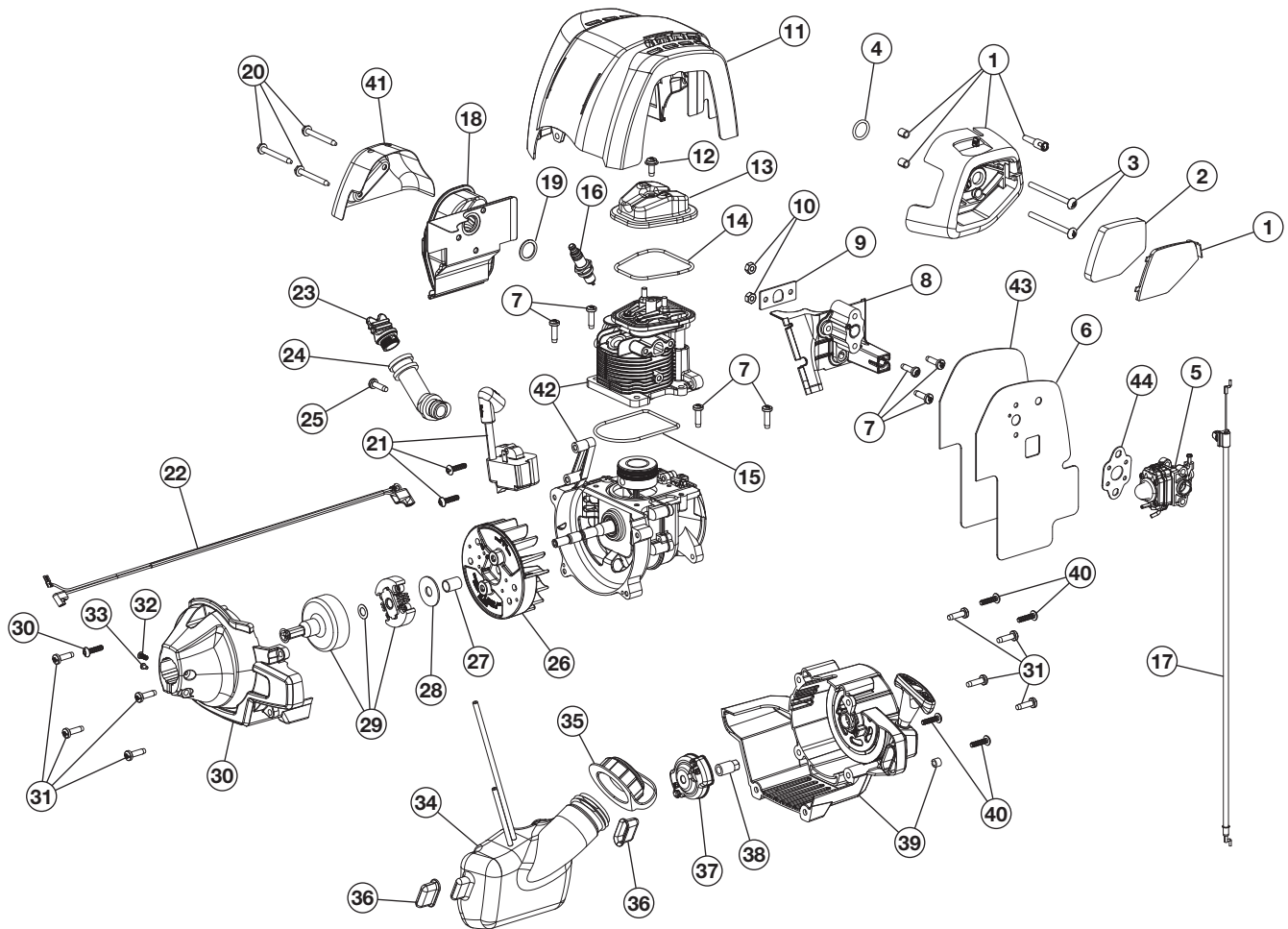


# REPLACEMENT PARTS - MODEL BC490

## 4-CYCLE TRIMMER / BRUSHCUTTER

PPN 41AD490C912



Item	Part No.	Description
1	753-06084	Air Cleaner Assembly (includes 2 & 3)
2	753-06085	Air Filter
3	753-06939	Screw
4	791-181751	Carburetor O-Ring
5	753-06083	Carburetor
6	721-04616	Carburetor Baffle
7	791-181003	Screw
8	731-08964	Insulator
9	753-05673	Insulator Gasket
10	712-04099	Nut
11	753-06960	Engine Cover
12	791-181025	Screw
13	753-05901	Valve Cover
14	753-05902	Valve O-Ring
15	753-05910	Cylinder O-Ring
16	753-05784	Spark Plug
17	753-06166	Throttle Cable
18	753-06334	Muffler Assembly
19	753-05244	Muffler Gasket
20	753-05246	Muffler Bolt
21	753-05907	Module Assembly
22	753-06167	Lead Wires

Item	Part No.	Description
23	753-05400	Oil Plug Assembly
24	753-06087	Oil Fill Tube Assembly (includes 25)
25	753-05377	Screw
26	753-05815	Flywheel
27	753-05814	Spacer
28	791-182396	Clutch Washer
29	753-05860	Clutch Assembly
30	753-06335	Clutch Cover Assembly
31	753-05377	Screw
32	791-182519	Anti-rotation Screw
33	753-04291	Clamp Screw & Nut
34	753-06093	Fuel Tank
35	753-04084	Fuel Cap
36	753-05259	Fuel Tank Pad
37	753-06091	Pawl Assembly
38	753-06104	Electric Start Adapter
39	753-06108	Starter Cover Assembly
40	753-04595	Screw
41	753-06101	Muffler Shield
42	753-06494	Short Block Assembly (includes 7, 12 - 16, 21, 26 & 27)
43	753-06122	Heat Shield
44	791-181709	Gasket

# REPLACEMENT PARTS - MODEL BC490

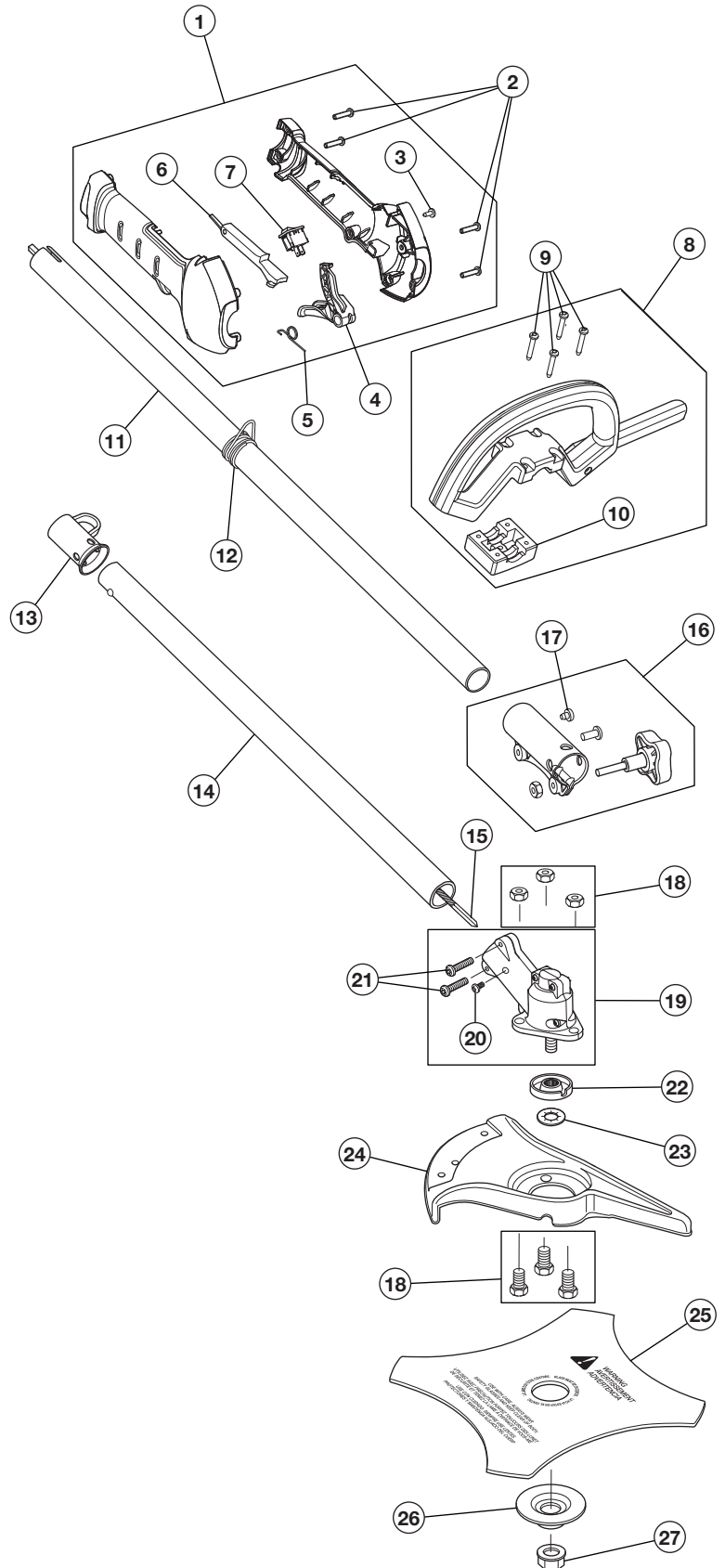
## 4-CYCLE TRIMMER / BRUSHCUTTER

PPN 41AD490C912

Item	Part No.	Description
1	753-06894	Throttle Grip Assembly (includes 2 - 7)
2	753-05274	Screw
3	791-182519	Anti-Rotation Screw
4	753-06895	Throttle Trigger
5	753-05007	Throttle Trigger Spring
6	753-06896	Lockout
7	791-182405	Switch
8	753-05008	D-Handle Assembly (Includes 9)
9	791-181070	Screw
10	753-05009	D-Handle Base
11	753-06682	Upper Drive Shaft Assembly
12	791-610327	Harness Clip
13	731-08926	Hanger
14	791-180804	Lower Drive Shaft Housing Assembly
15	791-613300	Lower Flexible Drive Shaft
16	753-06585	Split Boom Coupler Assembly (includes 17)
17	791-182057	Screw
18	791-182200	Shield Mount Screw Assembly
19	791-182193	2 Piece Gearbox Assembly (includes 20 and 21)
20	791-145569	Anti-Rotation Screw
21	791-182195	Gearbox Mounting Hardware
22	791-182196	Blade Driver
23	753-04348	Palnut
24	791-147492	Blade Shield/Shield Mount
25	791-145873B	4-Tooth Blade
26	791-147490	Retaining Washer
27	791-181699	Nut

\* Items Not Shown

- \* 791-682075B Shoulder Harness
- \* 791-180014B Blade Retaining Kit (includes 26 and 27)
- \* 791-613226 Locking Rod Tool
- \* 731-08926 Hanger



# REPLACEMENT PARTS - MODEL BC490

## 4-CYCLE TRIMMER / BRUSHCUTTER

PPN 41AD490C912

Item	Part No.	Description
1	731-08926	Hanger
2	753-06789	Lower Drive Shaft Housing
3	753-06125	Shield Mounting Screws
4	753-05267	Lower Flexible Drive Shaft
5	753-08180	Gearbox Assembly (includes 6 and 7)
6	791-182519	Anti-Rotation Screw
7	791-182195	Gearbox Mounting Hardware
8	753-08177	Shield Assembly (includes 9)
9	753-08178	Blade Assembly
10	753-08179	Cutting Head Assembly (includes 11)
11	753-08152	Bump Knob

