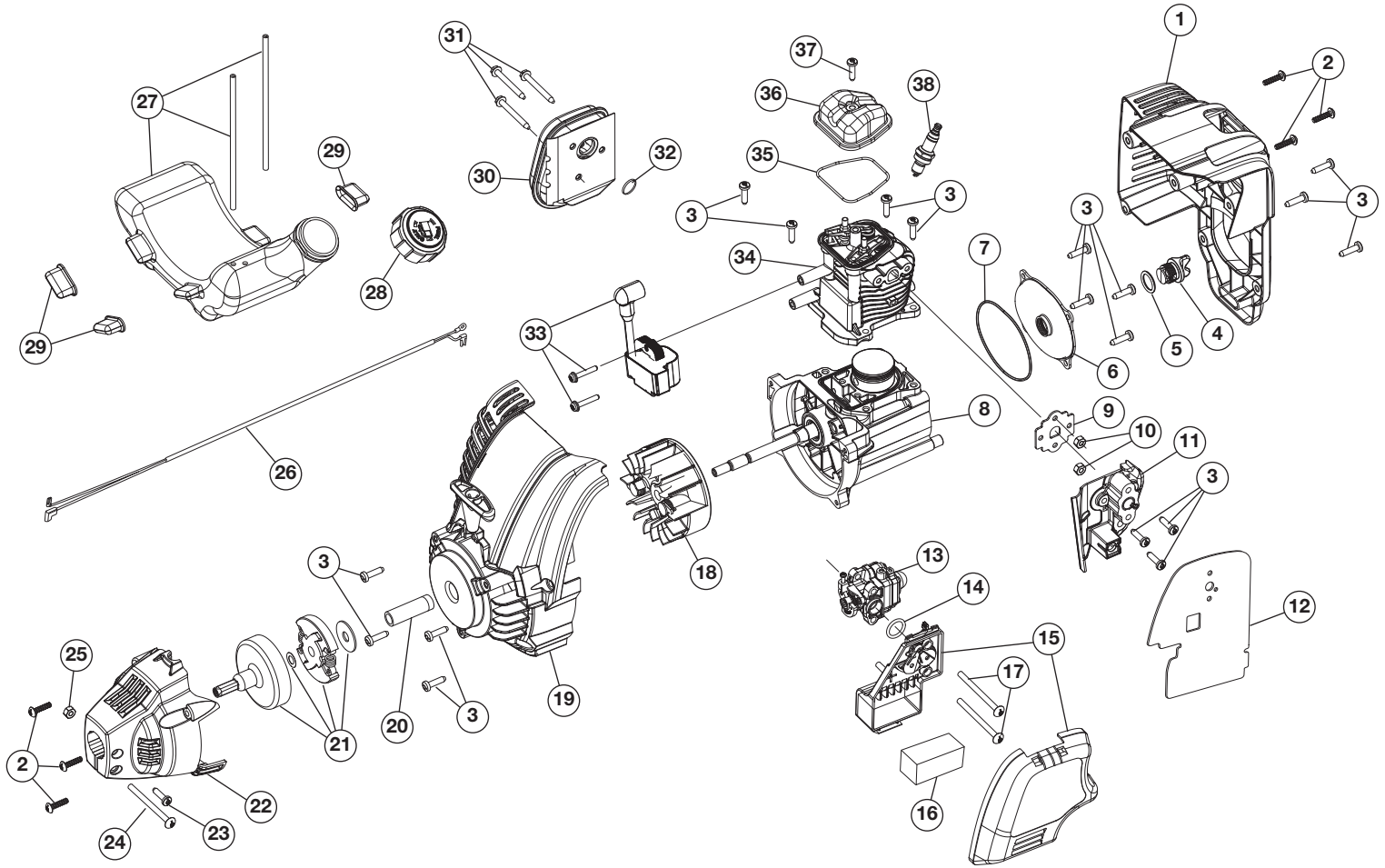


REPLACEMENT PARTS - MODEL TB575 EC

4-CYCLE TRIMMER

PPN 41BDT57C766



| Item | Part No. | Description |
|------|------------|--|
| 1 | 753-06134 | Engine Cover Assembly (includes 2 & 3) |
| 2 | 753-04595 | Cover Screw |
| 3 | 753-05377 | Screw |
| 4 | 753-05408 | Oil Plug (includes 5) |
| 5 | 791-182290 | Oil Plug O-Ring |
| 6 | 753-06111 | Crankcase Cover |
| 7 | 753-05238 | Crankcase Cover O-Ring |
| 8 | 753-06313 | Crankcase Assembly (includes 7) |
| 9 | 753-05247 | Insulator Gasket |
| 10 | 712-04099 | Nut |
| 11 | 753-06947 | Insulator |
| 12 | 753-06948 | Carburetor Gasket |
| 13 | 753-08174 | Carburetor |
| 14 | 791-181751 | O-Ring |
| 15 | 753-05252 | Air Cleaner Cover Assembly (includes 16) |
| 16 | 753-05254 | Air Filter |
| 17 | 753-05253 | Screw |
| 18 | 753-06221 | Flywheel Assembly |
| 19 | 753-06314 | Starter Housing Assembly (includes 3) |
| 20 | 753-05078 | Powershaft Spacer |
| 21 | 753-06281 | Clutch Assembly |
| 22 | 753-05263 | Clutch Cover (includes 2) |

| Item | Part No. | Description |
|------|------------|--|
| 23 | 791-182519 | Anti-Rotation Screw |
| 24 | 753-04003 | Clamp Screw |
| 25 | 712-0161 | Nut |
| 26 | 753-05264 | Lead Wires |
| 27 | 753-06797 | Fuel Tank Assembly with Fuel Lines (includes 27) |
| 28 | 753-1229 | Fuel Tank Cap |
| 29 | 753-05259 | Fuel Tank Pads |
| 30 | 753-05245 | Muffler Assembly (includes 30 & 31) |
| 31 | 753-05246 | Muffler Screw |
| 32 | 753-05244 | Muffler Gasket |
| 33 | 753-08208 | Module Assembly |
| 34 | 753-06311 | Cylinder Assembly (includes 34 & 35) |
| 35 | 753-05902 | Rocker Cover O-Ring |
| 36 | 753-05901 | Rocker Cover |
| 37 | 791-181025 | Rocker Cover Screw |
| 38 | 753-05784 | Spark Plug |

* Items Not Shown

* 753-06317 Shortblock Assembly (includes 3, 5, 7, 8, 34, 35, 36 & 38)

REPLACEMENT PARTS - MODEL TB575 EC 4-CYCLE TRIMMER

PPN 41BDT57C766

| Item | Part No. | Description |
|------|------------|--|
| 1 | 753-04234 | Throttle Housing Assembly (includes 2 - 4) |
| 2 | 791-182405 | Switch Assembly |
| 3 | 791-182690 | Throttle Trigger Spring |
| 4 | 753-04119 | Throttle Trigger |
| 5 | 753-06880 | Upper Drive Shaft Assembly |
| 6 | 753-05266 | Throttle Cable |
| 7 | 753-06039 | D-Handle Assembly (includes 8) |
| 8 | 753-06040 | Bolt |
| 9 | 753-1190 | Split Boom Coupler (includes 9) |
| 10 | 791-182057 | Coupler Anti-Rotation Screw |
| 11 | 753-06881 | Lower Drive Shaft Housing |
| 12 | 753-06125 | Shield Mounting Screws |
| 13 | 753-05267 | Lower Flexible Drive Shaft |
| 14 | 753-08180 | Gearbox Assembly (includes 15 and 16) |
| 15 | 791-182519 | Anti-Rotation Screw |
| 16 | 791-182195 | Gearbox Mounting Hardware |
| 17 | 753-06123 | Shield Assembly (includes 18) |
| 18 | 753-06126 | Blade Assembly |
| 19 | 753-08202 | Cutting Head Assembly (includes 20) |
| 20 | 753-08157 | Bump Knob |

