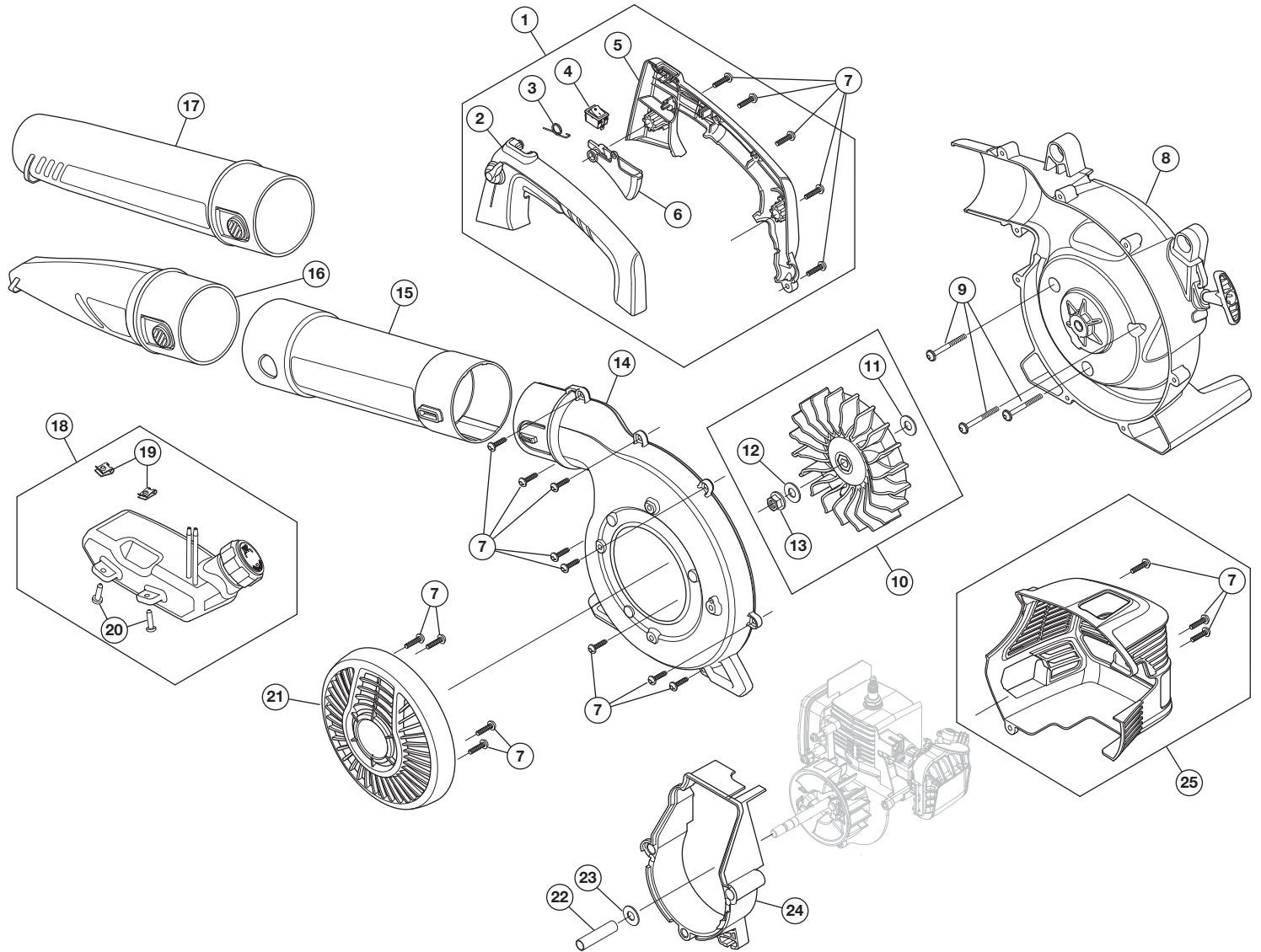


REPLACEMENT PARTS - MODEL RM430 2-CYCLE BLOWER

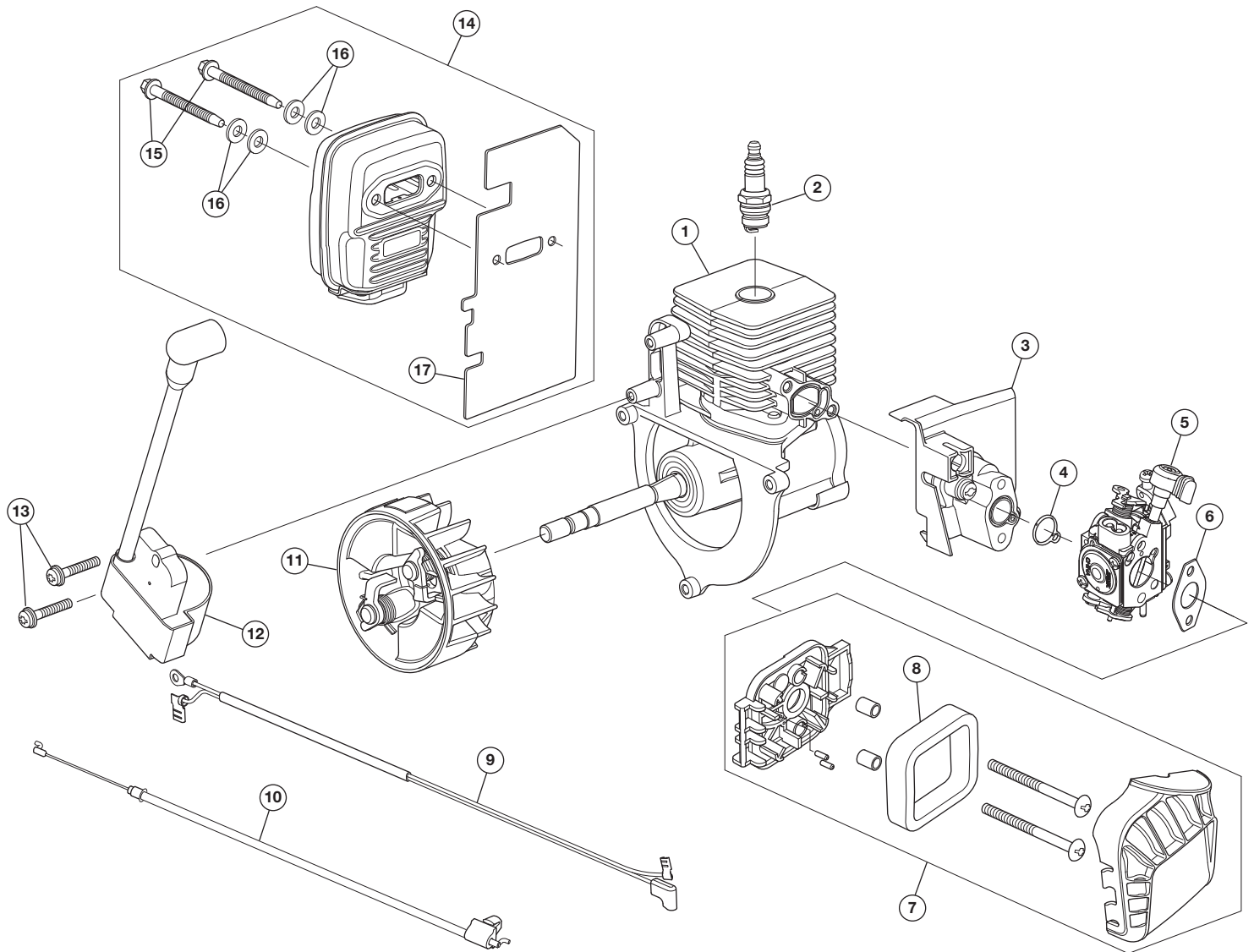
PPN 41AS99MS983



Item	Part No.	Description	Item	Part No.	Description
1	753-08529	Handle Assembly	14	753-08528	Impeller Housing Assembly (LH) (includes 7)
2	841-012397S	Handle (LH)	15	731-10598	Upper Blower Tube
3	732-04270A	Trigger Spring	16	731-11154	Blower Nozzle
4	725-05280	On/Off Switch	17	731-10782	Lower Blower Tube
5	731-10776-24	Handle (RH)	18	753-08508	Fuel Tank Assembly
6	731-09987-1	Throttle Trigger	19	712-04050	U-Shaped Nut
7	710-04194	Screw	20	9206A	Screw
8	753-08531	Impeller Housing Assembly (RH) (includes 9)	21	753-08511	Intake Cover (includes 7)
9	710-06341	Screw	22	750-06367	Shaft Spacer
10	753-08491	Impeller Assembly	23	736-05080	Washer
11	736-05080	Washer	24	753-08496	Engine Adapter (includes 9)
12	736-04110A	Lock Washer	25	753-08510	Engine Cover Housing (includes 7)
13	712-04137	Nut			

REPLACEMENT PARTS - MODEL RM430 2-CYCLE BLOWER

PPN 41AS99MS983



Item	Part No.	Description
1	753-08499	Shortblock Assembly
2	753-06847	Spark Plug
3	753-06189	Insulator Assembly
4	753-06185	O-Ring
5	753-06288	Carburetor
6	721-04381	Carburetor Gasket
7	753-08507	Air Cleaner Assembly
8	9653	Air Cleaner Filter
9	725-06313	Lead Wire

Item	Part No.	Description
10	746-05226	Throttle Cable
11	753-08490	Flywheel Assembly
12	753-08489	Module Assembly
13	710-06301	Screw
14	753-08488	Muffler Assembly (includes 15, 16 and 17)
15	710-05077	Muffler Screws
16	2592	Washers
17	721-04801	Muffler Gasket