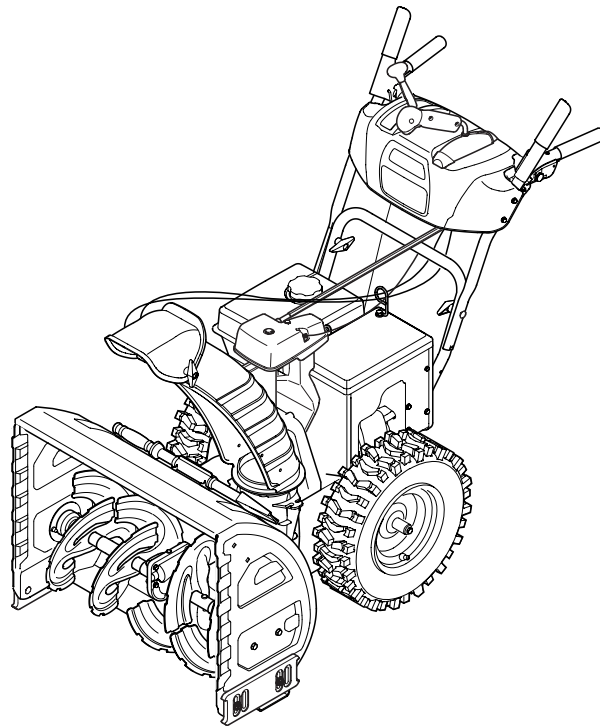

Cub Cadet.

ILLUSTRATED PARTS MANUAL



600 Series Snow Throwers — 2X 524 WE

CUB CADET LLC, P.O. BOX 361131 CLEVELAND, OHIO 44136-0019

To The Owner

Thank You

Thank you for purchasing a Cub Cadet Snow Thrower. It was carefully engineered to provide excellent performance when properly operated and maintained.

All information in this manual is relative to the most recent product information available at the time of printing. Please be aware that this Illustrated Part's Manual may cover a range of product specifications for various models.

Components listed and/or illustrated in this manual may not be applicable to all models. We reserve the right to change product specifications, designs and equipment without notice and without incurring obligation.

Throughout this manual, all references to *right* (RH) and *left* (LH) are observed from the operating position.

Table of Contents

S/T-Style Panel.....	4	Drive System.....	10
Auger & Auger Housing.....	6	Labels.....	12
Standard 2-Way Chute.....	8	Engine Model 370-SUC.....	14

Record Product Information

To ease in ordering replacement parts, please locate the model plate on the equipment and record the information in the provided area to the right. You can locate the model plate by looking beneath the seat.

MODEL NUMBER

--	--	--	--	--	--	--	--	--	--	--	--

SERIAL NUMBER

--	--	--	--	--	--	--	--	--	--	--	--

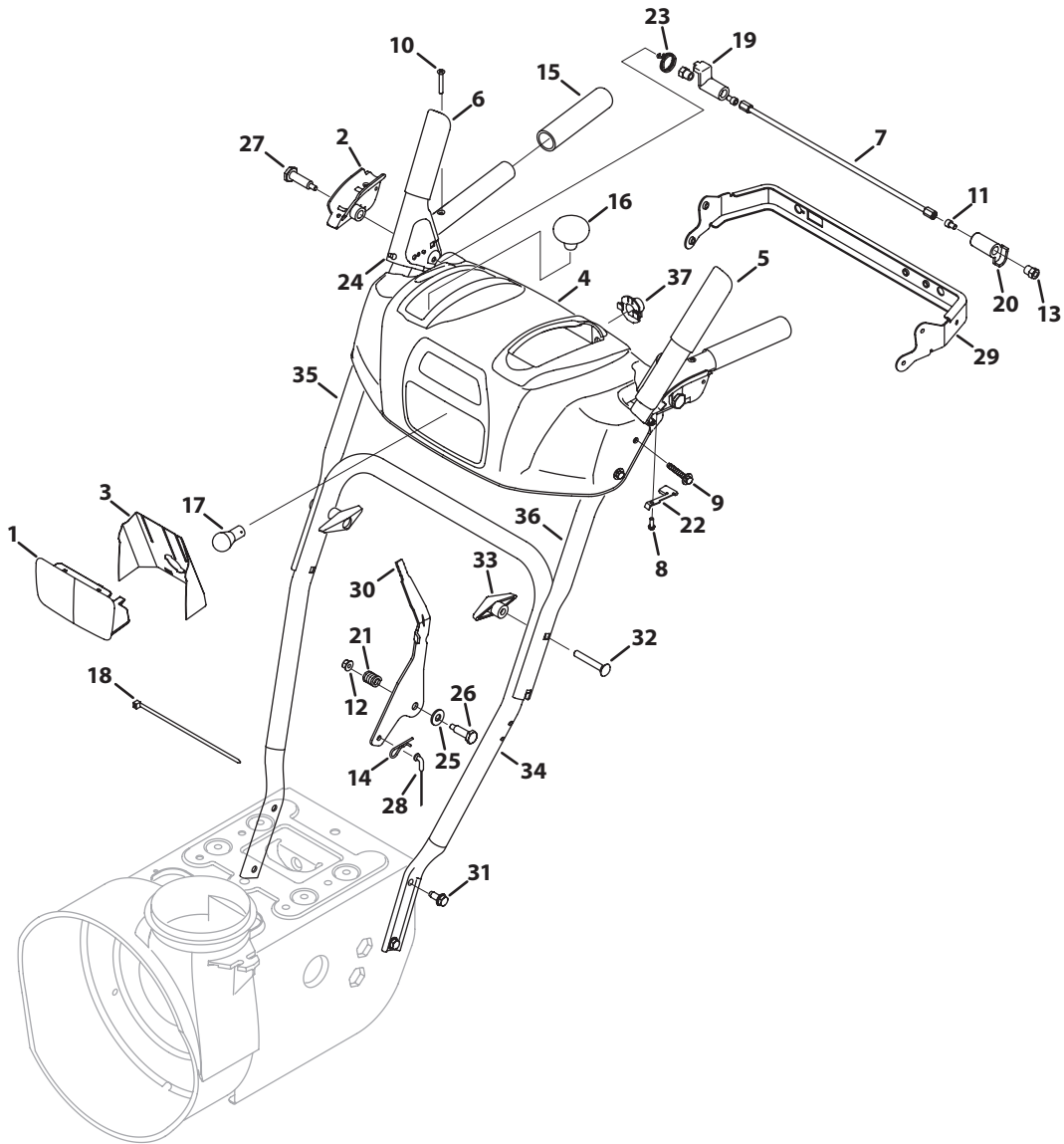
Painted Parts

When ordering painted service parts, a four digit color suffix must be added to the part number (e.g. 783-XXXXX-0637). Please refer to the table below for current color codes:

0637	Black
4021	Yellow (Cub Cadet)
0499	Beige (Cub Cadet)

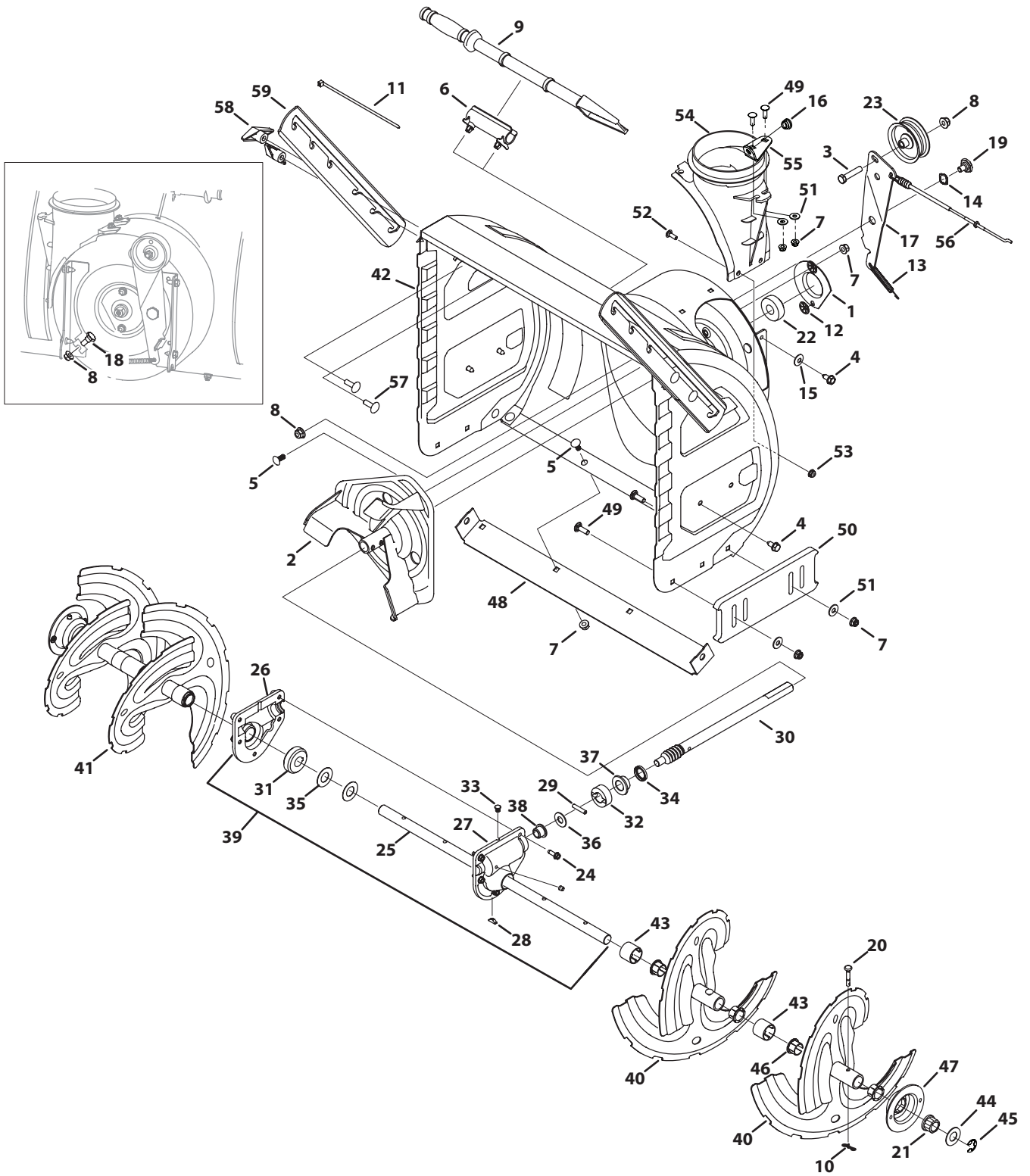
0685	Blue (Cub Cadet)
0691	Black Jack (Cub Cadet Commercial)

S/T-Style Panel



Ref.	Part Number	Description
1	731-05324	Lens
2	631-04134B	Handle Clutch Lock - RH
—	631-04133A	Handle Clutch Lock - LH
3	777X41804	Lens Reflector Label
4	931-04187A	T-Style Panel Ass'y, (inc. Ref. 1 & 3)
5	684-04105C	Handle Engagement Assembly LH
6	684-04106C	Handle Engagement Assembly RH
7	684-04250	Pivot Rod
8	710-04326	Screw, Plastite, 8-16 x .50
9	710-04586	Screw, 1/4-20 x 1.625
10	710-1233	Screw, #10-24 x 1.375
11	710-3069	Screw, Socket, 1/4-20 x .50
12	712-04064	Flange Lock Nut, 1/4-20
13	712-04081A	Shoulder Nut, 1/4-20
14	914-0145	Click Pin
15	720-0274	Handle Grip
16	720-04039	Shift Knob
17	925-1629	Lamp
18	926-0154	Cable Tie
19	731-04894D	Lock Plate
20	731-04896B	Clutch Lock Cam
21	732-0193	Compression Spring
22	732-04219C	Clutch Lock Spring
23	732-04238B	Torsion Spring
24	935-0199A	Rubber Bumper
25	936-0267	Flat Washer, .385 x .87 x .06
26	738-04125	Shoulder Screw, .374 x 1.05
27	738-04348	Shoulder Screw, 1/4-20 x 1.345
28	946-04396A	Speed Selector Cable
29	790-00248C	Panel Bracket
30	790-00311C	Shift Lever
31	710-04484	Screw, 5/16-18 x .750
32	710-0572	Carriage Screw, 5/16-18 x 2.25
33	920-0284	Wing Knob
34	749-04138B	Lower Handle
35	749-04190A	Upper Handle RH
36	749-04191A	Upper Handle LH
37	925-1649	Light Socket
—	925-04137	Wire Harness (Not Shown)

Auger & Auger Housing

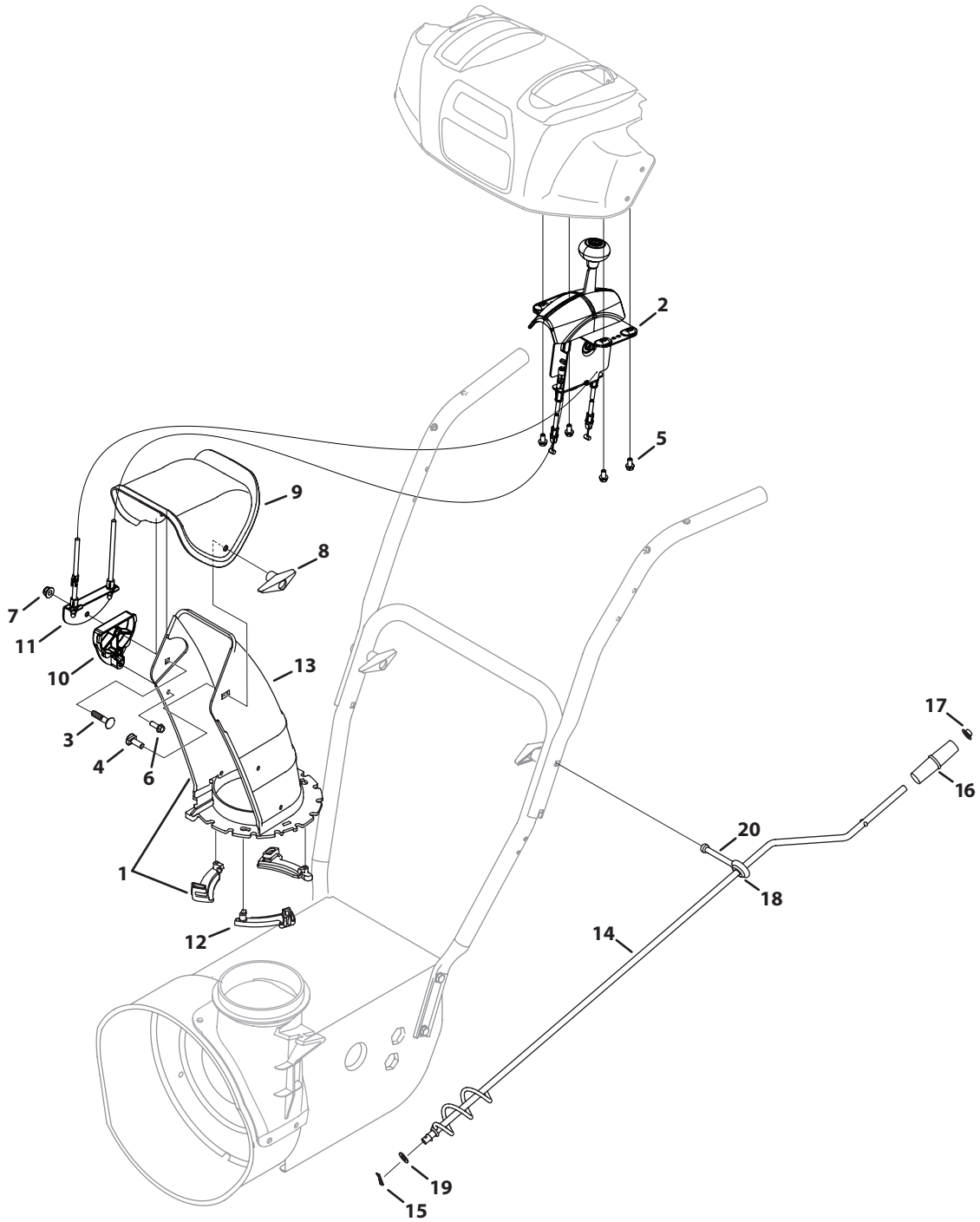


Auger & Auger Housing

Ref.	Part Number	Description	Ref.	Part Number	Description
1	790-00075	Bearing Housing, 1.85 ID	31	917-04861	Worm Gear, 20T
2	684-04057B	Impeller Assembly, 12" Dia.	32	718-04071	Thrust Collar, .756 ID x .600
3	710-0347	Hex Screw, 3/8-16 x 1.75	33	721-0325	Plug, 1/4 x .437
4	710-04484	Taptite Screw, 5/16-18 x .750	34	721-0327	Oil Seal, .75 x 1.131 x .188
5	710-0451	Carriage Bolt, 5/16-18 x .75, Grade 5	35	936-0351	Flat Washer, .760 ID x 1.50 OD
6	731-11421	Cleanout Tool Mount	36	736-3084	Flat Washer, .51 x 1.12 x .06
7	712-04063	Flange Lock Nut, 5/16-18	37	741-0662	Flange Bearing, .75 ID x 1.0 OD x .59
8	712-04065	Flange Lock Nut, 3/8-16	38	741-0663	Flange Bearing, .50 ID x .75 OD x .59
9	931-2643	Cleanout Tool	39	918-04171C	Gear Box; includes Ref. 24 - 38
10	714-04040	Bow-Tie Cotter Pin	40	684-04107A	Spiral Assembly (Left)
11	725-0157	Cable Tie	41	684-04108A	Spiral Assembly (Right)
12	926-04012	Push-On Nut, .25 Dia.	42	684-04259	Auger Housing, 24" Cub
13	732-04460	Extension Spring, .38 OD x 4.59	43	731-04870	Spacer, 1.25OD x .75ID x 1.00
14	736-0174	Wave Washer, .625 x .885 x .0175	44	736-0188	Flat washer, .76 x 1.49 x .06
15	736-0242	Washer, Bell, .340 x .872 x .060	45	916-0231	E-Ring, .750
16	941-0475	Plastic Bushing, .380 ID	46	741-0493A	Flange Bushing, .800 ID x .910 OD
17	790-00080C	Auger Idler Bracket	47	790-00534	Hex Bearing Housing
18	738-0143	Shoulder Bolt, 3/8-16 x .496 x .336	48	790-00120	Shave Plate, 24"
19	938-0281	Shoulder Screw, 3/8-16 x .625 x .17	49	710-0276	Screw, Carriage, 5/16-18 x 1.00
20	738-04124A	Shear Pin, .25 x 1.50	50	731-06931	Deluxe Shoe
21	741-05041	Hex Flange Bearing	51	936-0159	Washer, Flat, .349 x .879 x .063
22	941-0309	Flange Ball Bearing, .75 ID x 1.85 OD	52	710-0703	Carriage Screw, 1/4-20 x .75
23	756-04224	Flat Pulley, 2.75 OD	53	712-04064	Flange Lock Nut, 1/4-20
24	710-0642	Taptite Screw, 1/4-20 x .750	54	731-04705D	Chute Adapter, 5"
25	711-04285A	Auger Axle	55	784-5647	Chute Crank Bracket
26	918-0123A	Housing Assembly, RH	56	946-04230A	Auger Drive Cable
27	918-0124A	Housing Assembly, LH	57	710-3105†	Carriage Bolt, 5/16-18 x .875
28	914-0161	Hi-Pro Key, 3/16 x 5/8	58	920-0284†	Wing Knob, 5/16-18
29	715-04021	Dowel Pin, .25OD x 1.25	59	790-00510†	Drift Cutter
30	917-04126	Worm Shaft, .75 OD			

† If Equipped

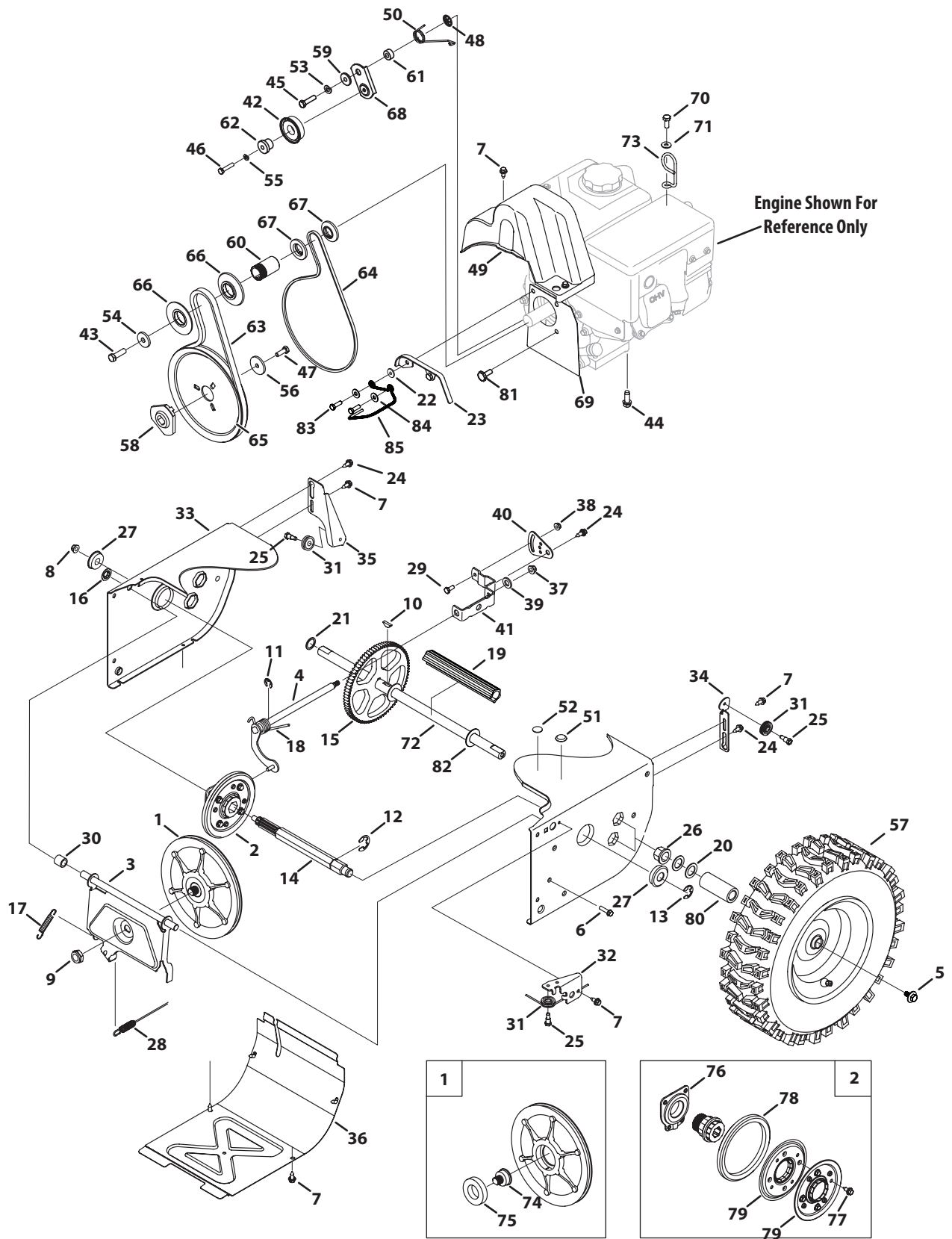
Standard 2-Way Chute



Standard 2-Way Chute

Ref.	Part Number	Description
1	631-04131B	Lower Chute Assembly
2	984-04117A	Chute Control Assembly
3	710-0262	Bolt, Carriage, 5/16-18 x 1.50
4	710-04071	Bolt, Carrier, 5/16-18 x 1.00
5	710-04187A	Screw, Hi-Lo, 1/4-15 x 0.50
6	710-0895	Screw, Hi-Lo, 1/4-15 x 0.750
7	712-04063	Nut, Flange Lock, 5/16-18
8	920-0284	Wing Knob
9	731-04427A	Chute, Upper
10	731-1313C	Cable Guide, Chute Tilt
11	784-5594	Cable Bracket
12	731-04869A	Flange Keeper
13	731-04912B	Lower Chute
14	684-04104	Chute Crank
15	914-0104	Cotter Pin, .072 x 1.13
16	720-0201A	Crank Knob
17	926-0100	Push Cap, 3/8
18	735-0234	Rubber Grommet
19	936-0185	Flat Washer, .375 x .738 x .063
20	747-04263	Eye Bolt

Drive System



Drive System

Ref.	Part Number	Description	Ref.	Part Number	Description
1	656-04055	Disc Assembly, Friction Wheel	44	710-0654A	Sems Screw, 3/8-16 x 1.00
2	684-04153C	Friction Wheel Assembly, 5.5 OD	45	710-0672	Hex Screw, 5/16-24 x 1.25
3	684-04154B	Friction Wheel Support Bracket	46	710-0809	Hex Screw, 1/4-20 x 1.25
4	684-04156A	Rod Shift Assembly	47	710-1245B	Hex Head Screw, 5/16-24 x .875
5	710-05339A	Screw, 5/16-24 x .750	48	926-04012	Push-on Nut, .25 Dia.
6	710-0788	Taptite Screw, 1/4-20 x 1.000	49	731-05353B	Belt Cover
7	710-1652	Taptite Screw, 1/4-20 x .625	50	732-04308C	Torsion Spring, .850 ID x .333
8	712-04065	Flange Lock Nut, 3/8-16	51	735-04099	Plug, 3/8 ID
9	712-0417A	Flange Nut, 5/8-18	52	735-04100	Plug, 1/2 ID
10	914-0126	Hi-pro Key, 3/16 x 3/4 Dia.	53	936-0119	Lock Washer, 5/16
11	916-0104	E-Ring	54	736-3082A	Flat Washer, .45 x 1.5 x .172
12	716-0136	Retaining E-Ring, .875 Dia.	55	936-0329	Washer, Lock, 1/4
13	916-0231	E-Ring, .750 Dia.	56	736-0505	Flat Washer, .34 x 1.50 x .150
14	917-04209A	Hex Shaft, 7-Tooth	57	634-04147A-0931	X-Trac Wheel, 15 x 5 x 6, LH
15	917-04230	Gear, 80-Tooth		634-04148A-0931	X-Trac Wheel, 15 x 5 x 6, RH
16	726-0221	Speed Nut, .500	58	748-04053A	Adapter Pulley, .75 Dia.
17	932-0264	Extension Spring	59	748-04112B	Shoulder Spacer, .3175 x .5 x .0975
18	732-04311A	Torsion Spring, .750 x .968	60	750-04303	Spacer, .875 ID x 1.185 OD
19	731-08181	Axle Spacer	61	750-04477A	Spacer, .340 x .750 x .330
20	936-0287	Flat Washer, .793 x 1.24 x .060	62	750-04571	Shoulder Space, .260 x .785 x .538
21	736-04161	Flat Washer, .75 x 1.00 x .060	63	954-04050A	Auger Drive Belt
22	736-0278	Washer, Flat, .330 x .687 x .030	64	954-04260	Wheel Drive Belt
23	731-07101	Belt Cover	65	756-04109	Auger Drive Pulley, 8.1 x .5
24	738-04184A	Shoulder Screw, .368 x .113, 1/4-20	66	756-04113	Pulley Half, 2.600 OD
25	738-0924A	Shoulder Screw, 1/4-28, .340 x .355	67	756-04252	Pulley Half, 3/8 x 1.716 OD
26	941-0245	Hex Flange Bearing	68	790-00208D	Wheel Drive Idler Bracket
27	941-0563	Ball Bearing, 17 x 40 x 12	69	790-00289A	Cover Plate
28	946-05067	Wheel Clutch Cable, 44.955"	70	710-1681	Hex Head Screw, 1.25 x 20
29	710-0751	Hex Head Screw, 1/4-20 x .620	71	936-0264	Washer, Flat, .330 x .630 x .0635
30	748-0190	Spacer, .508 ID x .75 OD x .68	72	738-04493	Axle, .75 x 22
31	756-0625	Cable Roller	73	732-0705	Cable Guide
32	790-00096A	Auger Cable Front Guide Bracket	74	738-04164A	Friction Disc Bearing Pin
33	790-00180C	Frame	75	741-04098	Ball Bearing, 30 x 55 x 13
34	790-00206A	Auger Cable Guide Bracket	76	618-0063A	Bearing Assembly
35	790-00207C	Drive Cable Guide Bracket	77	710-04484	Taptite Screw, 5/16-18 x .750
36	790-00316	Frame Cover	78	935-04054	Friction Wheel Rubber
37	712-04063	Flange Lock Nut, 5/16-18	79	790-00174C	Friction Wheel Plate
38	712-04064	Flange Lock Nut, 1/4-20	80	731-04873	Spacer, 1.25 x .75 x 3.0
39	936-3015	Washer, Flat, .469 x .875 x .105	81	738-04439	Shoulder Screw, .500 x 1.145
40	790-00217A	Speed Selector Pivot Bracket	82	736-0188	Washer, Flat, .760 x 1.49 x .060
41	790-00218A	Speed Selector Shift Bracket	83	710-0117A	Hex Head Screw, 5/16-24 x 1.00
42	684-04169	Idler Pulley Assembly	84	936-0159	Washer, Flat, .349 x .879
43	710-0191	Hex Screw, 3/8-24 x 1.25	85	747-06336A	Belt Guide

Labels

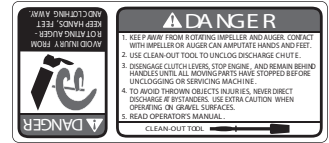
777122435



777D19024



777S32636



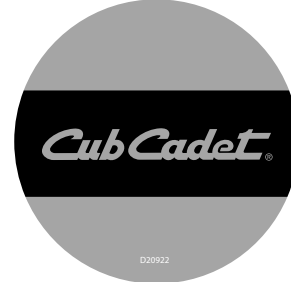
777D15045



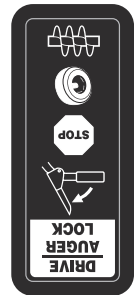
777122341



777D20922



777122363



777D19062



777X47701

PART	PART NUMBER	PART	PART NUMBER
Snow Cab	490-241-0032	Snow Cover	490-290-0010
Poly Slide Shoes (Set)	490-241-0010	Garage Floor Mat	490-241-C034
Cool Blue Slide Shoe	731-06931	Gas & Oil Siphon	490-850-0008
Shear Pins (Set Of 4)	OEM-738-04124	Oil /5W30 (28 oz Bottle)	OEM-737-0303
Auger Drive Belt	954-04050	Oil Capacity	20 oz
Wheel Drive Belt	954-04260	Gas Stabilizer	22264
Spark Plug	OEM-751-10292	Key	951-10630
Non-Stick Spray	490-900-0062	WWW.CUBCADET.COM	

31AM63SR X47701

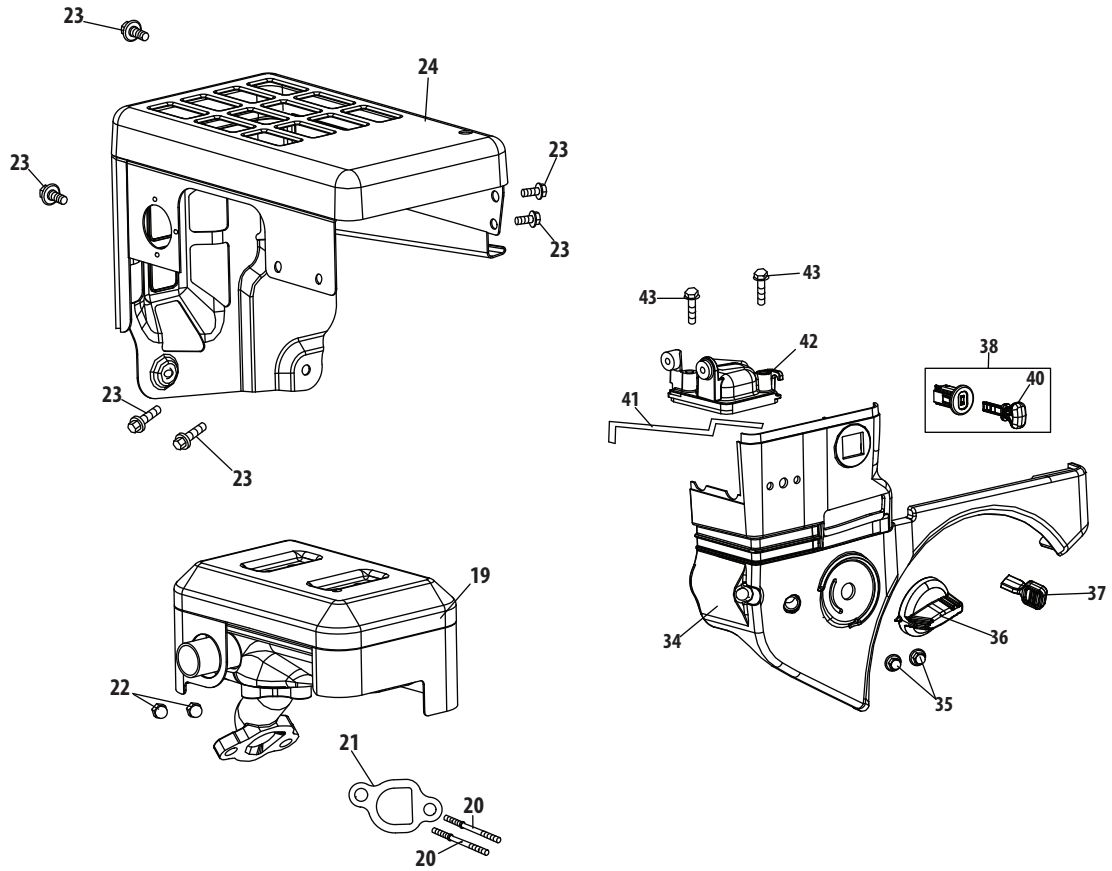
777D19056



777D15111



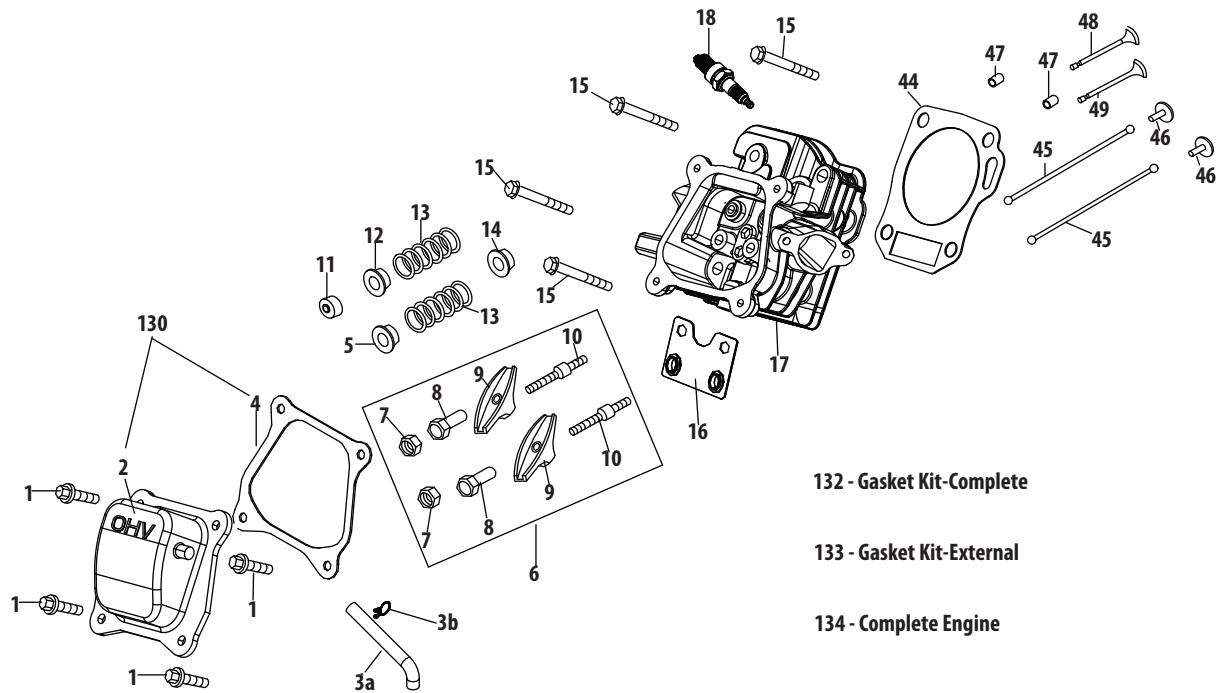
Engine Model 370-SUC Muffler & Air Housing



Ref.	Part Number	Description
19	951-11282	Muffler Assembly
20	710-05001	Stud M8×36
20	751-14190	Muffler Stud
21	951-11289	Exhaust Pipe Gasket
22	712-04214	Nut, M8
23	710-04915	Bolt M6×12
24	951-10642B	Muffler Shield
34	951-10634	Air Cleaner Housing

Ref.	Part Number	Description
35	712-04213	Nut
36	951-11284	Choke Knob
37	951-10757	Throttle Control Knob
38	951-10637	Key Switch Assembly
40	731-05632	Key
41	951-10640	Choke Linkage
42	951-10635	Heater Box
43	710-04943	Bolt M6×28

370-SUC Cylinder Head



132 - Gasket Kit-Complete

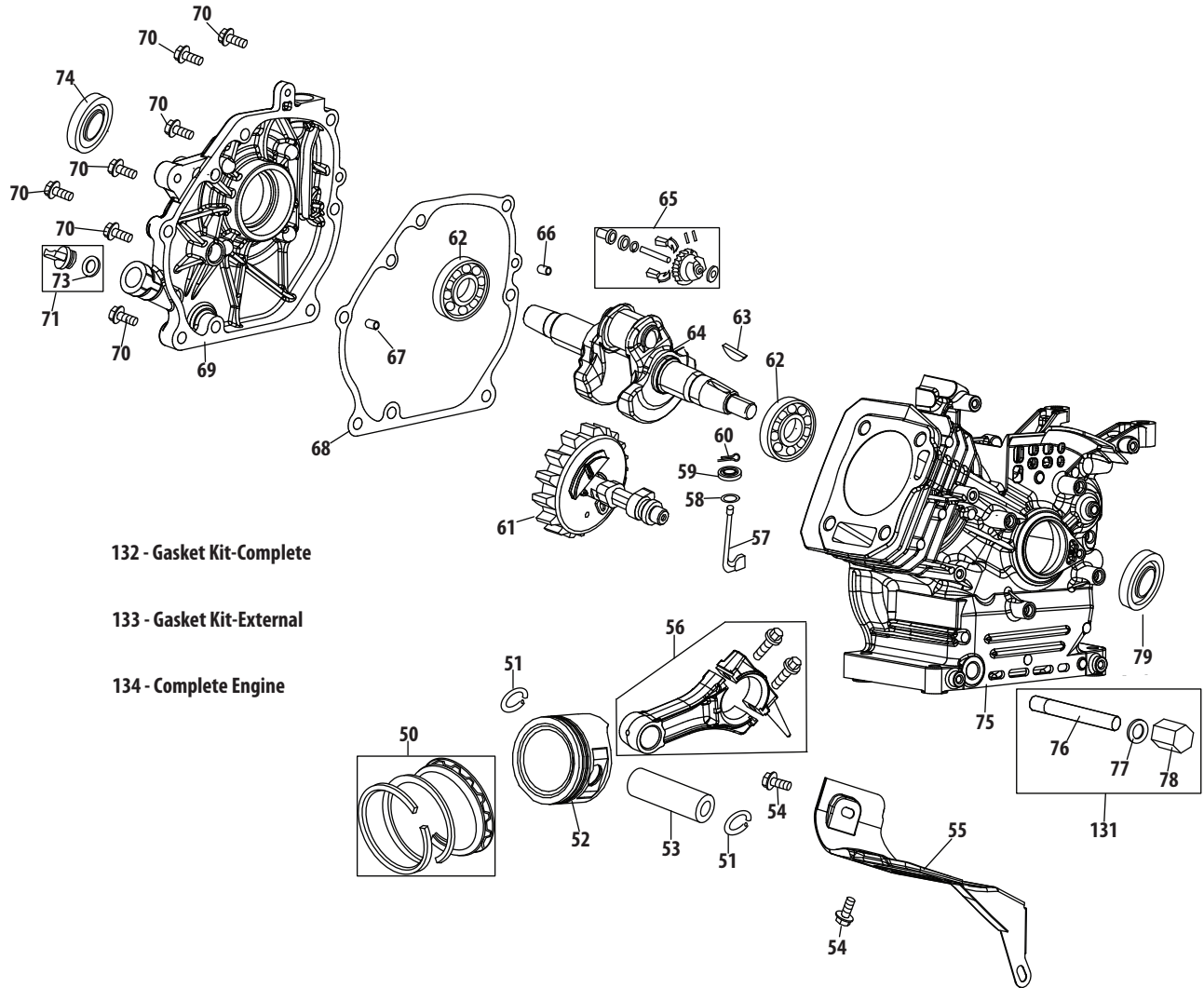
133 - Gasket Kit-External

134 - Complete Engine

Ref.	Part Number	Description
1	710-04968	Bolt M6×16
2	951-11054A	Valve Cover
3a	731-07059	Breather Hose
3b	726-04101	Hose Clamp
4	951-11565	Valve Cover Gasket
5	951-12000	Valve Spring Retainer (Intake)
6	951-11892	Rocker Arm Assembly
7	751-11124	Nut, Pivot Locking
8	751-11123	Adjusting Nut ,Valve
9	951-11893	Rocker Arm
10	710-04902	Bolt, Pivot
11	951-12002	Exhaust Lash Cap
12	951-12003	Valve Spring Retainer (Exhaust)
13	951-12004	Valve Spring
14	951-11894	Valve Seal (Intake)
15	710-04933	Bolt M8×55
16	951-11895	Push Rod Guide

Ref.	Part Number	Description
17	951-10722B	Cylinder Head Asm (Incl. 4,21,27-29,32,44,58, 59,68,74,77,79)
18	951-10292	Spark Plug/F6Rtc
44	951-11572	Gasket, Cylinder Head
45	951-10648	Kit-Push Rod
46	951-11899	Tappet
47	715-04108	Dowel Pin 10×16
48	951-10647A	Valve Kit
49	951-10647A	Valve Kit
130	951-12626	Valve Cover Kit
132	951-11059A	Gasket Kit-Complete (Incl. 4-14,16,17,21,27-29,44,48,49)
133	951-10661B	Gasket Kit-External (Incl. 4,21,27-29,32,77)
134	952Z370-SUC	Complete Engine

370-SUC Crankcase



132 - Gasket Kit-Complete

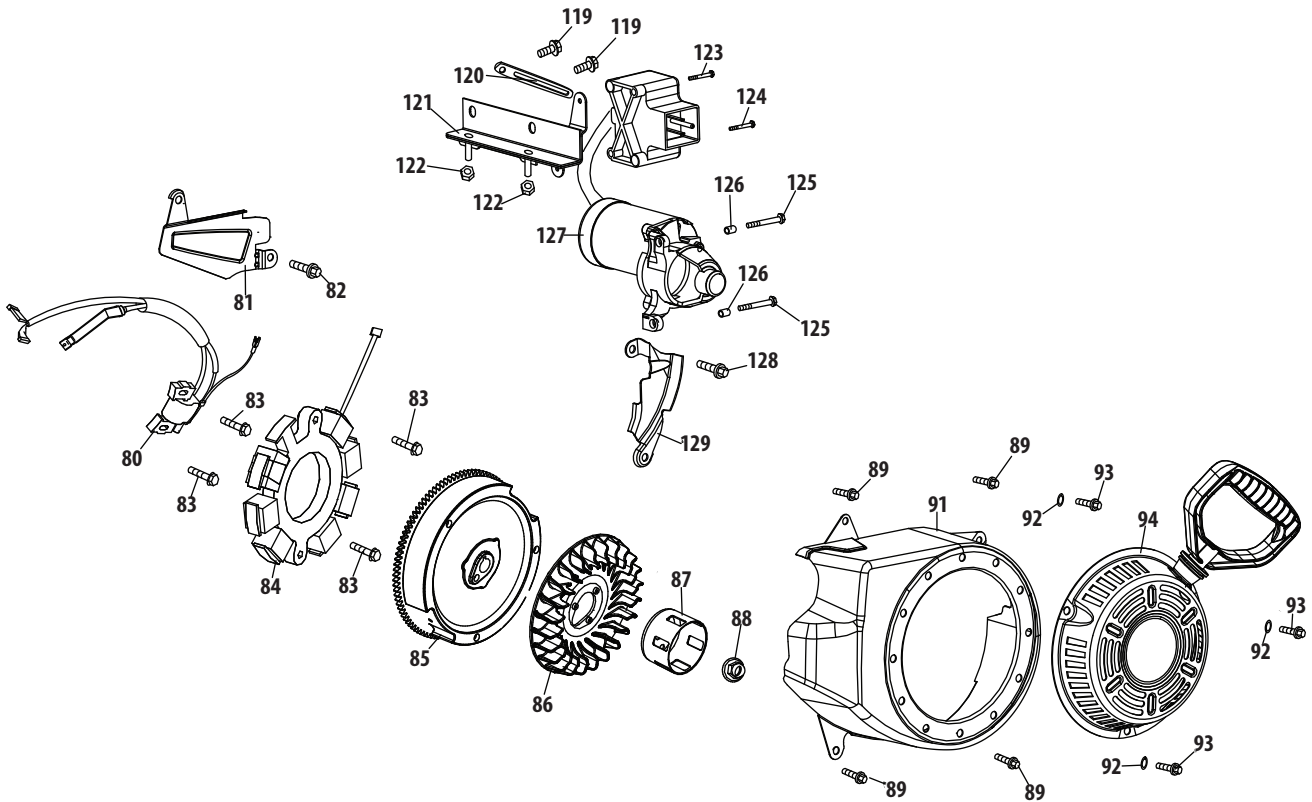
133 - Gasket Kit-External

134 - Complete Engine

370-SUC Crankcase

Ref.	Part Number	Description	Ref.	Part Number	Description
50	951-12111	Piston Ring Set	69	951-11246	Crankcase Cover Kit (Incl. 62,68-74)
51	951-11632	Piston Pin Snap Ring	70	710-04932	Bolt M8×32
52	951-12007	Piston	71	951-11283	Oil Filler Plug Assembly
53	951-11633	Piston Pin	73	951-11577	O-Ring 15.8×2.5
54	710-04915	Bolt M6×12	74	951-11368	Oil Seal, 25×41.25×6
55	951-11113	Air Shield	75	951-11249	Crankcase Kit (Incl. 59,62,74,75,79)
56	951-11573	Connecting Rod Assembly		951-11060B	Short Block Assembly (Incl. 4,21,27-29,44,46, 47,50-53,56-79)
57	751-14053	Governor Arm Shaft	76	951-11350	Oil Drain Pipe
58	736-04461	Washer 5.2×1.9	77	736-04440	Washer 10×16×1.5
59	951-11902	Governor Seal	78	710-04906	Oil Drain Plug
60	714-04078	Cotter Pin	79	951-11370	Oil Seal 25×41.25×6
61	951-11575	Camshaft Assembly	131	951-10641	Oil Drain Assembly
62	951-11369	Radial Ball Bearing, 6205	132	951-11059A	Gasket Kit-Complete (Incl. 4-14,16,17,21,27-29,44,48,49)
63	951-10307	Woodruff Key	133	951-10661B	Gasket Kit-External (Incl. 4,21,27-29,32,77)
64	951-11247A	Crankshaft Kit (Incl. 62-64,74,79)	134	952Z370-SUC	Complete Engine
65	951-11576	Governor Gear/Shaft Assembly			
66	715-04092	Dowel Pin 7×14			
67	715-04096	Dowel Pin 9×14			
68	951-11371	Crankcase Cover Gasket			
69	951-12125	Crankcase Cover			

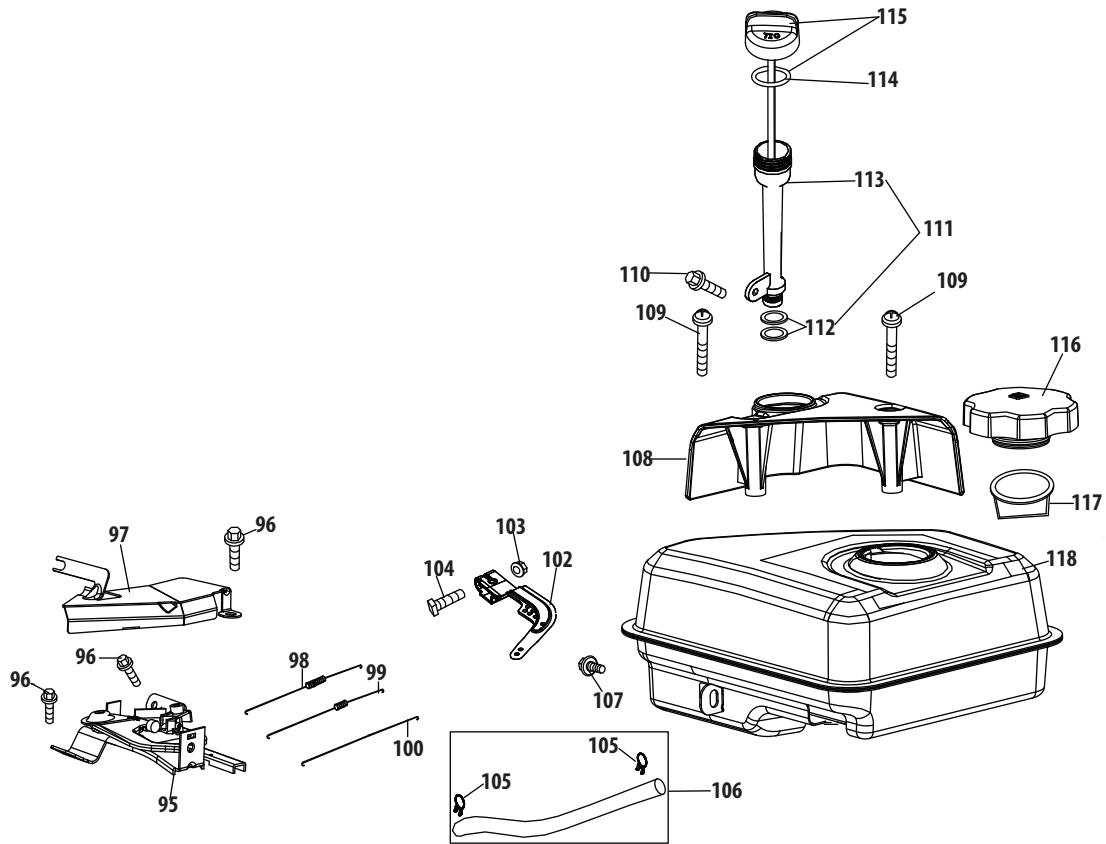
370-SUC Starter Assembly & Blower Housing



Ref.	Part Number	Description
80	951-10646	Ignition Coil Assembly
81	951-11110	Air Flow Shield
82	710-04940	Bolt M6x10
83	710-04919	Bolt M6x25
84	951-12050A	Alternator Assembly
85	951-12051	Flywheel
86	951-10934	Cooling Fan
87	951-10911	Starter Cup
88	712-04209	Flywheel Nut, M14x1.5
89	710-04915	Bolt M6x12
91	951-10663A	Blower Housing
92	736-04455	Washer 6
93	710-04974	Bolt M6x10

Ref.	Part Number	Description
94	751-14151	Recoil Starter Assembly
119	710-04914	Bolt M6x10
120	951-11680	Electric Starter Cord Retainer
121	951-11114	Switch Housing Mounting Bracket
122	712-05015	Nut, M6
123	710-04965	Bolt M4x55
124	710-04935	Bolt M4x60
125	710-05182	Bolt M6x32
126	715-04088	Dowel Pin 8x8
127	951-10645A	Electric Starter
128	710-04915	Bolt M6x12
129	951-11109	Blower Housing Shield

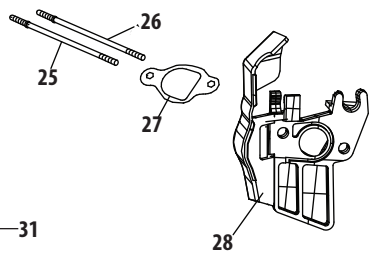
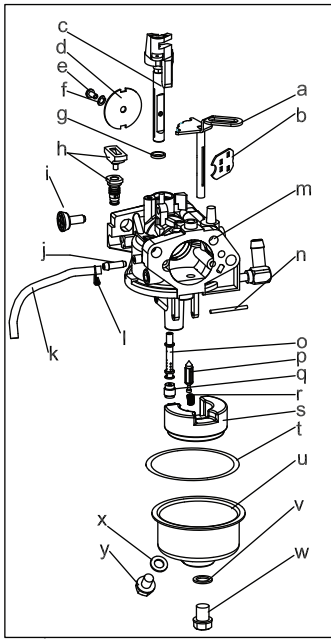
370-SUC Fuel Tank & Mounting



Ref.	Part Number	Description
95	951-10758	Throttle Bracket
96	710-05103	Bolt M6×12
97	951-11108	Governor Linkage Shield
98	951-11935	Governor Spring
99	951-10664	Throttle Linkage Spring
100	951-10665	Throttle Linkage
102	951-11106	Governor Arm
103	712-04212	Nut M6
104	710-04908	Governor Arm Bolt
105	951-11700	Fuel Hose Clamp
106	951-10650	Kit-Fuel Line
107	710-04915	Bolt M6×12

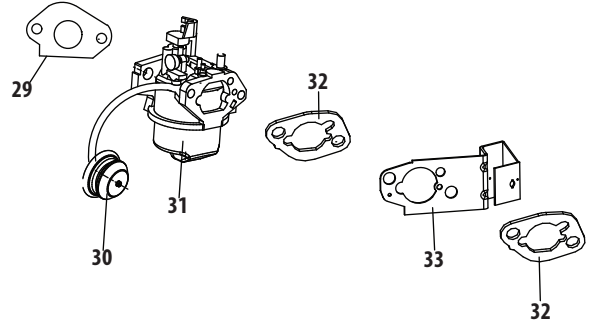
Ref.	Part Number	Description
108	951-11914	Dipstick Decoration Cover
109	710-04905	Bolt
110	710-04915	Bolt M6×12
111	951-11913	Oil Fill Tube Assembly
112	951-11904	Dipstick O-Ring
113	951-10656	Oil Fill Tube
114	951-11381	Dipstick O-Ring
115	951-12482	Dipstick Asm
116	951-12533	Fuel Cap Assembly
117	951-11933	Fuel Level Indicator
118	951-10653B	Fuel Tank Assembly

370-SUC Carburetor



135 - Carburetor Kit - Deni

136 - Carburetor Kit - Huayi



370-SUC Carburetor

Ref.	Part Number	Description
25	710-04939	Stud M6×117
26	710-04910	Stud M6×105
27	951-11567	Carburetor Insulator Gasket
28	951-11896	Carburetor Insulator
29	951-11569A	Carburetor Gasket
30	951-10639A	Primer Assembly
30	951-11824	Primer Bulb
31	951-14026A	Carburetor Assembly: - Huayi
31	951-14027A	Carburetor Assembly: - Deni
32	951-11897	Carburetor Gasket Plate
33	951-11112	Choke Control Bracket
135	951-14154	Carburetor Kit - Deni (Incl. h,n,o,p,q,r,s,t,v,x)
136	951-12788A	Carburetor Kit - Huayi (Incl. h,n,o,p,q,r,s,t,v,x)
a	n/a	Choke Shaft
b	n/a	Choke Plate
c	n/a	Throttle Shaft
d	n/a	Throttle Plate
e	710-05469	Screw M3×6
f	736-04638	Lock Washer

Ref.	Part Number	Description
g	n/a	Gasket, Throttle Plate
h	n/a	Idle Jet Assembly (0.45)
i	n/a	Idle Speed Adjusting Screw
j	n/a	Mixture Screw
k	951-11699	Primer Hose
l	951-11906	Hose Clamp
m	n/a	Carburetor Body
n	n/a	Float Pin
o	n/a	Emulsion Tube (P19-010)
p	951-12875	Needle Valve - Huayi
p	751-14049	Needle Valve - Deni
q	n/a	Main Jet (#74)
r	n/a	Needle Valve Spring
s	n/a	Float
t	951-11589	Fuel Bowl O-Ring
u	n/a	Fuel Bowl
v	951-11348	Fuel Bowl Mounting Bolt Gasket
w	710-04938	Fuel Bowl Mounting Bolt
x	951-11349	Fuel Drain Bolt Gasket
y	710-04945	Fuel Drain Bolt



To order replacement parts, call the Customer Dealer Referral Line at 1-877-282-8684
or visit www.cubcadet.com to find the nearest Cub Cadet dealer in your area.

CUB CADET LLC, P.O. BOX 361131 CLEVELAND, OHIO 44136-0019
