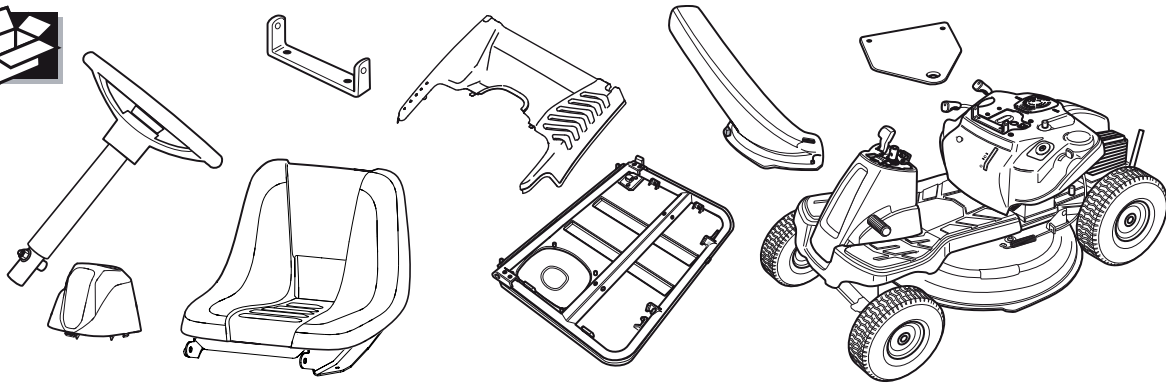


L 18
FORM NO. 769-11084C



A



B



C



D



E



F



G



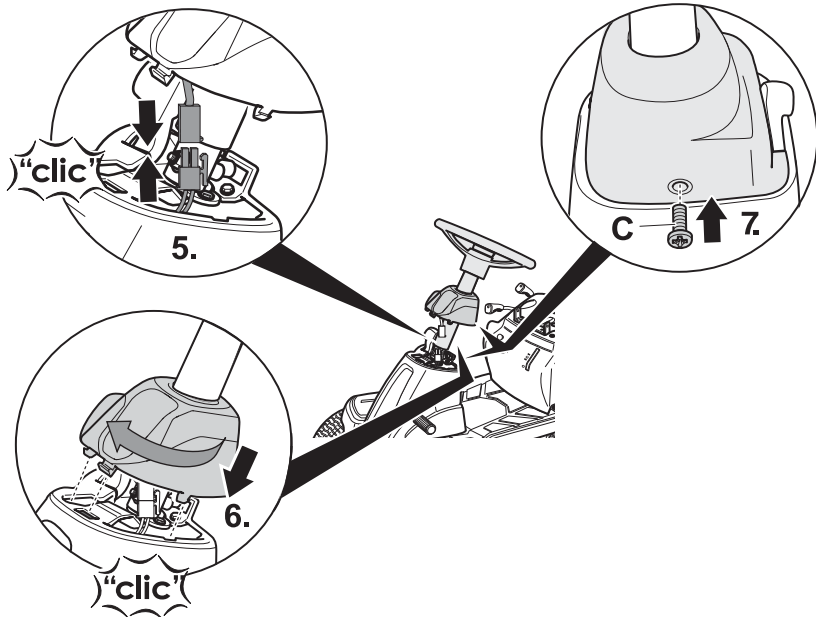
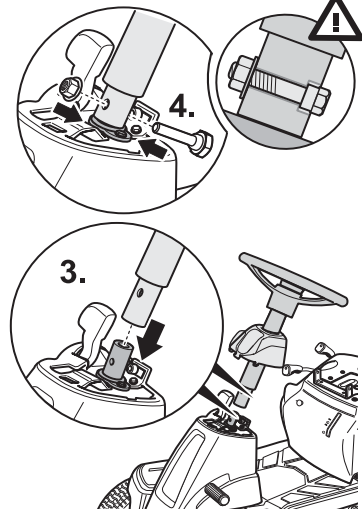
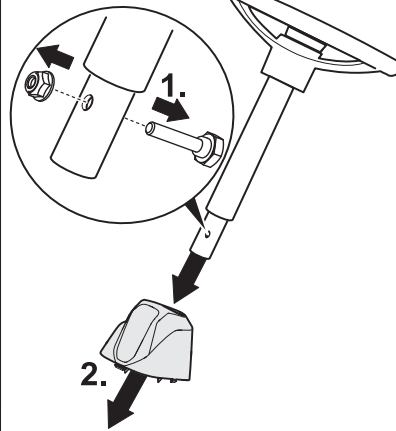
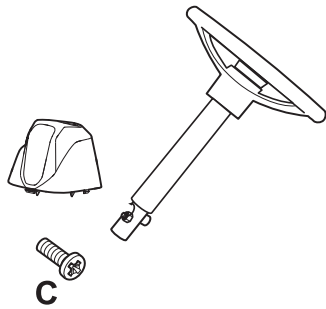
H

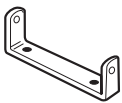


I



J

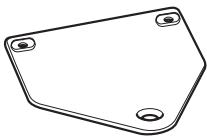
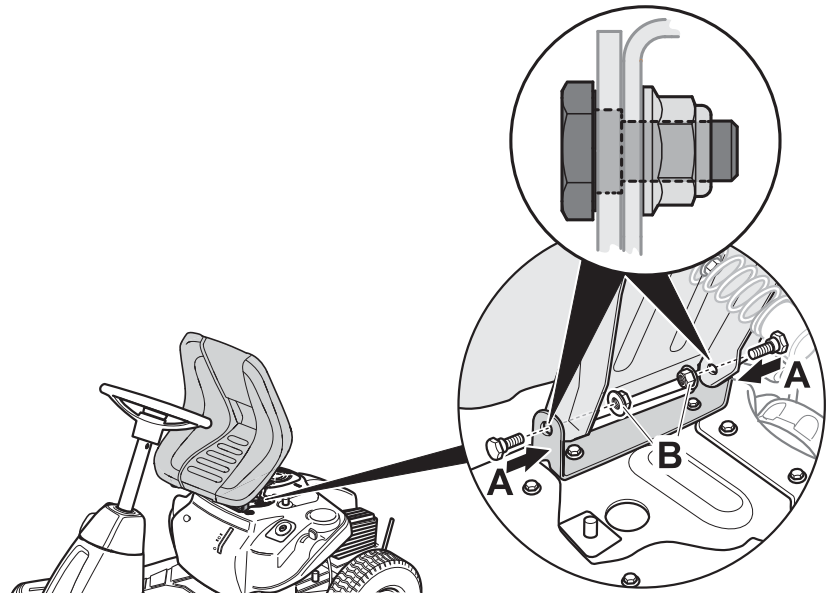
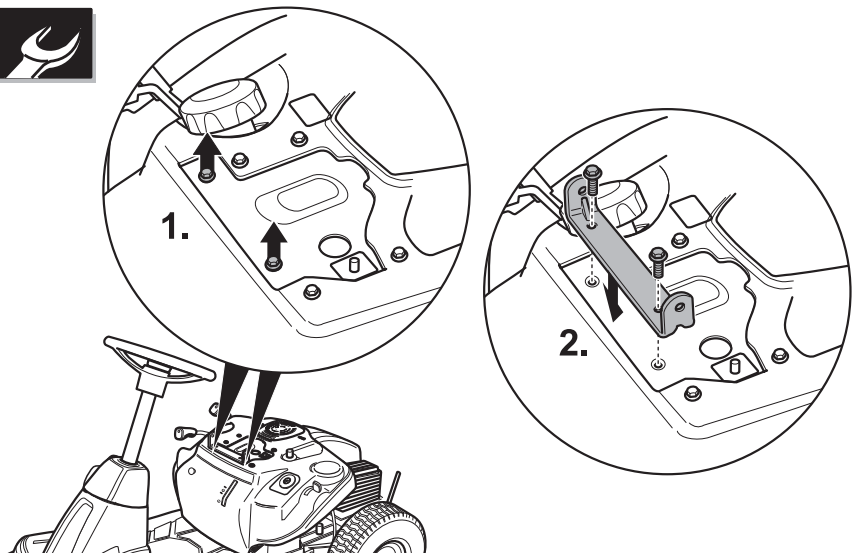




A



B



G

