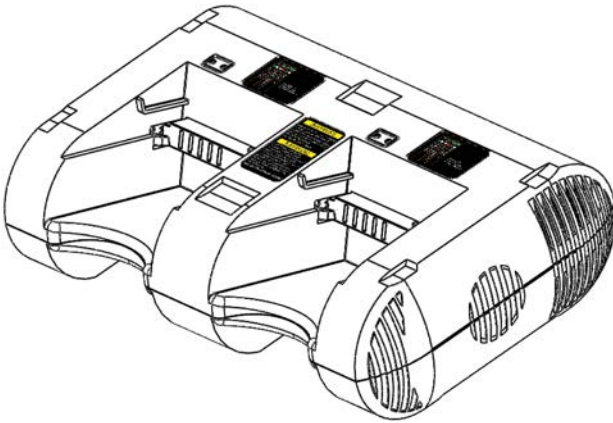


Cub Cadet®

powered by **CORE™**

Elite Standard Charger CESC8000

Instruction Manual



PRODUCT SPECIFICATIONS

Use ONLY with Power Cell:	CEC6600 40 Volt high energy Li-Ion
Charger:	ELITE Standard Charger
Charger input:	100/240 V AC, 60/50 Hz
Charger output:	42V DC
Weight:	4.85 lb. 77.6 oz. (2.2 kg)

Need Assistance?

For assistance regarding the assembly, operation or maintenance of the unit, please call **1-877-282-8684** (in the United States) or **1-800-668-1238** (in Canada). Additional information can be found at **www.cubcadet.com** (in the United States) or **www.cubcadet.ca** (in Canada).

TABLE OF CONTENTS

Product specifications	1
Table of contents	2
General safety warnings	3-4
Electrical safety	3
Owner's Registration	4
General power tool safety warnings	4-5
Work area safety	4
Electrical safety	4-5
Personal safety	5
Service	5
Specific safety rules	5-8
Charging the Power Cell	9-11
Warranty	14-16



WARNING:

This ELITE Standard Charger can be used by children aged from 8 years and above and persons with reduced physical, sensory or mental capabilities or lack of experience and knowledge if they have been given supervision or instruction concerning use of the ELITE Standard Charger in a safe way and understand the hazards involved. Children shall not play with the ELITE Standard Charger. Cleaning and user maintenance shall not be made by children without supervision.

GENERAL SAFETY WARNINGS



Before using the ELITE Standard Charger, read this manual and all instruction and cautionary markings on Power Cell charger, Power Cell, and power tool and follow all Safety Rules and Operating Instructions.

CAUTION: To reduce the risk of fire or electric shock, carefully follow these instructions, charge only Power Cell type CEC6600 manufactured by Cub Cadet, other types of batteries may burst causing personal injury and damage.

SAVE THESE INSTRUCTIONS: this manual contains important safety and operating instructions for Power Cell charger model CESC8000.

This instruction manual includes the following:

- General Safety Rules
- Specific Safety Rules and Symbols
- Functional Description
- Assembly
- Operation



WARNING: Retain this manual for future reference.

Provide this manual to all operators and be certain that they have read and understand all the Safety Rules and Operating Instructions prior to their using this tool.

ELECTRICAL SAFETY



WARNING: To avoid electrical hazards, fire hazards or damage to the tool, use proper circuit protection.

The charger for this tool is wired at the factory for 100/240 V AC 60/50Hz operation. It must be connected to a 100/240 V AC 60/50Hz, 15 A circuit that is protected by a time-delayed fuse or circuit breaker. If the supply cord is worn, cut or damaged, it must be replaced immediately by the manufacturer, its service agent or similarly qualified persons in order to avoid shock, fire or hazard.

GENERAL SAFETY WARNINGS

OWNER'S REGISTRATION

Please register your product online at www.cubcadet.com (in the United States) or www.cubcadet.ca (in Canada).

GENERAL POWER TOOL SAFETY WARNINGS

GENERAL POWER TOOL SAFETY WARNINGS

⚠ WARNING: Read all safety warnings and all instructions. Failure to follow the warnings and instructions may result in electric shock, fire and/or serious injury.

Save all warnings and instructions for future reference.

General Power Tool Safety Warnings – Work Area Safety

Keep work area clean and well lit. Cluttered or dark areas invite accidents.

Do not operate power tools in explosive atmospheres, such as in the presence of flammable liquids, gases or dust. Power tools create sparks which may ignite the liquids, fumes or dust.

Keep children and bystanders away while operating a power tool. Distractions can cause you to lose control.

General Power Tool Safety Warnings – Electrical Safety

Charger plugs must match the outlet. Never modify the plug in any way. Do not use any adapter plugs with earthed (grounded) chargers. Unmodified plugs and matching outlets will reduce risk of electric shock.

Avoid body contact with earthed or grounded surfaces such as pipes, radiators, ranges and refrigerators. There is an increased risk of electrical shock if your body is earthed or grounded.

Do not expose power tools, chargers or Power Cells to rain or wet conditions. Water entering the tool, chargers or Power Cells will increase the risk of electric shock.

Do not abuse the cord. Never use the power cord for carrying, pulling or unplugging the charger. Keep the power cord away from heat, oil, sharp edges, and moving parts. Damaged or entangled cords increase the risk of electric shock.

GENERAL POWER TOOL SAFETY WARNINGS

When operating a charger outdoors, use an extension cord suitable for outdoor use. *Use of a cord suitable for outdoor use reduces the risk of electric shock.*

If operating a charger in a damp location is unavoidable, use a residual current device (RCD) protected supply. An RCD is also known as a ground fault circuit interrupter (GFCI) or earth leakage circuit breaker (ELCB). *Use of an RCD reduces the risk of electric shock.*

General Power Tool Safety Warnings – Personal Safety

Stay alert, be aware of your surroundings, watch what you are doing and use common sense when operating a power tool. Do not use a power tool while you are tired or under the influence of drugs, alcohol, or medication. A moment of inattention while operating a power tool may result in serious personal injury.

General Power Tool Safety Warnings – Service

Have your power tool or charger serviced by a qualified repair person using only identical replacement parts. This will ensure that the safety of the power tool or charger is maintained.

SPECIFIC SAFETY RULES

⚠ WARNING: Only use a CESC8000 standard charger to charge the CEC6600 Power Cell. **Using any other chargers to charge the CEC6600 Power Cell may damage the Power Cell and / or the charger and cause fires, explosion, hazardous fumes and possibly burns or other serious injury.**

⚠ WARNING: Fire Hazard.

Do not store or carry the Power Cell in a manner in which metal objects could contact the exposed metal terminals. Do not place the Power Cell in aprons, pockets, drawers, tool boxes, etc. with metal objects, such as, but not limited to, loose nails, screws, bolts, keys, coins, staples, foil, etc. Such metal objects could cause the Power Cell to short circuit causing fire, explosion, and hazardous fumes, resulting in personal injury or property damage.

SPECIFIC SAFETY RULES

Never attempt to open, modify, dismantle, reverse polarity, crush, puncture or shred the Power Cell for any reason.

If the housing of the Power Cell breaks, cracks, swells, or is punctured immediately discontinue its use and do not recharge.

Do not charge or use the Power Cell if it has been dropped or has received a sharp blow, a heavy weight has been imposed upon it, has been overheated, or is cracked, crushed, deformed or punctured. If a Power Cell has sustained damage, (as per above, or otherwise) immediately isolate it in a non-combustible, safe outside area, remain a safe distance away but do not leave it unattended. Such a damaged Power Cell should be considered and treated as a potentially thermally unstable, flammable and hazardous material. If the Power Cell ignites use water spray, carbon dioxide, dry chemical or foam extinguishers to suppress. Avoid exposure to and inhalation of hazardous fumes. Contact hazardous materials authorities for guidance as to appropriate handling and prompt safe disposal of damaged Power Cells. Make arrangements for prompt safe disposal of a damaged Power Cell per local hazardous material regulations.

Do not use or charge the Power Cell if it is wet or shows any evidence of corrosion.

⚠ WARNING: Leakage from the Power Cell may occur under extreme usage, charging or temperature conditions, or if the Power Cell is damaged, crushed or punctured. This leakage indicates a failure of the Power Cell and the Power Cell should be properly disposed of per local hazardous material regulations.

If this leakage gets on your skin, or eyes follow these steps:

1. Wash skin immediately and thoroughly with soap and water.
2. If liquid gets into your eyes, flush immediately with clean water for a minimum of 20 minutes and seek immediate medical attention.

If the liquid gets onto your clothing or shoes, remove, isolate and wash the contaminated clothing thoroughly.

Do not wash, splash or immerse a Power Cell in water or other liquids.

Keep the Power Cell out of the reach of children and away from persons not fully familiar with these instructions.

Do not expose the Power Cell to heat or fire. Do not incinerate the Power Cell. It can explode and emit hazardous fumes.

Do not store or use the Power Cell in locations where the temperature may reach or exceed 105°F (40°C) such as in outside sheds or metal buildings, tool boxes, vehicle interiors or trunks during summer. Avoid storing the Power Cell in direct sunlight.

SPECIFIC SAFETY RULES

For air, vessel and ground transport purposes, Lithium ion Power Cells are classified as Class 9 Hazardous Goods, subject to ICAO Technical Instructions and IATA Dangerous Goods Regulations and US Department of Transportation and Transport Canada Hazardous Material Regulations [HMR] [and other applicable national regulations]. Such Power Cells are restricted from being placed in checked in baggage and are subject to shipper declarations, standards, quantity and packaging regulations. Confirm with the ground, vessel, air cargo or passenger air travel service provider as to the most current regulations to determine if your lithium ion Power Cells are prohibited, or subject to restrictions or exemptions prior to shipping or travel with your lithium Power Cells.

Do not remove the Power Cell from its original packaging until it is required for use.

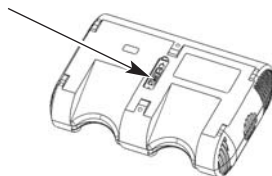
Always keep the Power Cell clean and dry. Wipe the terminals with a clean dry cloth if they become dirty.

Storage Recommendations:

The best storage place for Power Cells is a secure and safe place that is cool and dry and away from direct sunlight and excess heat or cold. *Exposure to excess or prolonged heat will degrade the performance and the life expectancy of the Power Cell.*

Do not use an extension cord. Plug the charger cord directly into an electrical outlet.

Use the charger only in a standard 100 or 240 V AC, 50/60 Hz electrical outlet. Choose 115V AC or 230V AC by voltage switch (1) on charger bottom.



WARNING: Do not use the charger in wet or damp conditions. The charger is intended for indoor use only. Do not expose to dew, rain or garden sprinklers, frost, or snow. Do not use the charger near sinks or tubs. Do not immerse the charger in water. *Water entering the chargers or Power Cells will increase the risk of electric shock.*

Do not operate chargers in explosive atmospheres, such as in the presence of flammable liquids, gases or dust. *Chargers can create sparks which may ignite the liquids, fumes or dust.*

Do not use the CESC8000 standard charger to charge any batteries other than a CEC6600 Power Cell. Charging other batteries may cause the batteries to burst, catch fire, emit hazardous fumes or explode.


SPECIFIC SAFETY RULES

Do not allow the charger cord to hang over the edge of a table or counter, to be placed in an area where it can become entangled with moving objects, or be a tripping hazard, or to contact sharp or hot surfaces. The charger should be placed away from sinks and hot surfaces.

Do not leave a Power Cell on a prolonged charge. Remove the Power Cell after attaining a complete recharge and unplug the charger when not in further use.

Do not operate the charger if the cord or plug is damaged. Have a qualified technician replace the damaged cord and plug immediately.

Do not operate the charger if it has received a sharp blow, been dropped, crushed, cracked, punctured, immersed or splashed with water or other liquids, or otherwise damaged in any way. Have a qualified technician examine the charger and repair it if necessary. Do not disassemble or modify the charger.

 **CAUTION:** When the charger is plugged into the power supply, it can become shorted by foreign conductive material and cause sparks or fires. Foreign conductive material such as, but not limited to, metal shavings / chips, steel wool, aluminum foil, nails, staples, paper clips, should be kept away from charger ventilation openings, Power Cell retaining cavity and output terminals.

Do NOT charge the Power Cell when the work area or the Power Cell temperature is at or below 0° C (32° F) or above 45° C (113° F).

Unplug the charger when it is not in use and before cleaning or maintenance.

POWER CELL RECYCLING

To preserve our natural resources, and reduce landfill please recycle your Power Cells at participating retailers, or dispose of Power Cells properly in accordance with Federal, State, Provincial or local laws.

ASSEMBLY AND OPERATING

CHARGING THE POWER CELL

⚠ WARNING: Only use a CESC8000 standard charger to charge the CEC6600 Power Cell. Charging any other Power Cells or batteries with this charger may damage the Power Cells, batteries, or charger, and possibly cause serious injury or property damage from fire, explosion or hazardous fumes.

Power Supply Cord: Use UL/CUL listed detachable power supply cord, type SPT-2, 18 AWG, three conductors, cord rate VW-1, 105°C 300V. Cord external length minimum 1.2 m. One end terminates in a molded-on attachment plug with a 15A, 125V (NEMA 1-15P) configuration. Other end terminates in a molded-on connector which mates with the Power Cell charger.

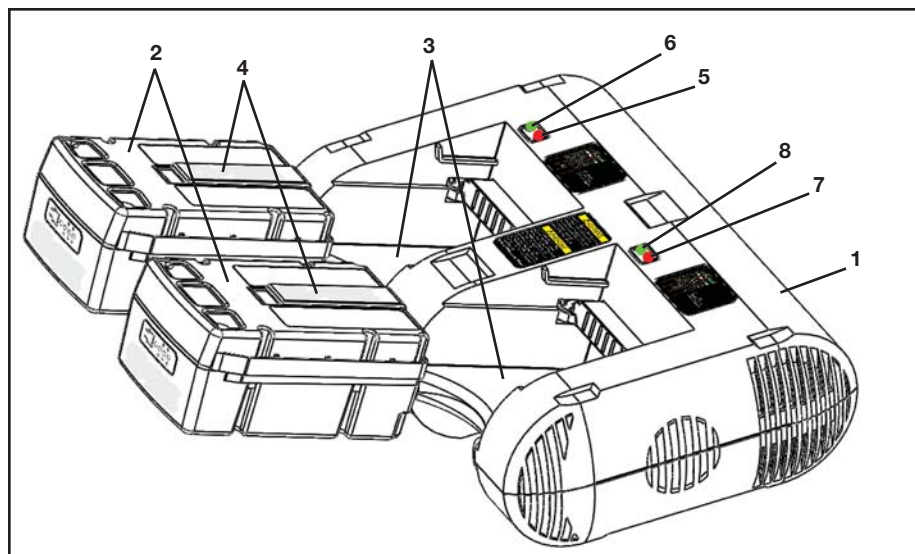
1. To charge the CEC6600 Power Cell, after choosing 115V or 230V on bottom of charger, place the charger (1) in a dry location and plug into the appropriate outlet.

NOTES:

- a) Once Power cell is fully charged, charger will stop charging.
 - b) Charger can charge one or two power cells at the same time.
2. Insert the Power Cell (2) into the matching cavity (3) in the top of the charger.

NOTES:

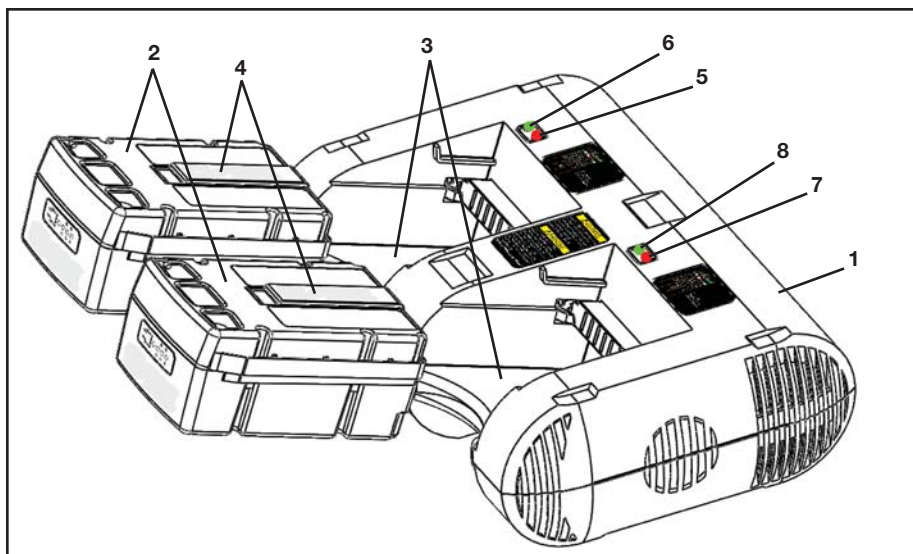
- a) Make sure the raised ridge (4) on top of the Power Cell is facing toward the LED lights (5, 6 & 7, 8) on the charger.



ASSEMBLY AND OPERATING

CHARGING THE POWER CELL – cont'd

- b) Make sure the Power Cell is pressed fully into the charger cavity.
3. When the power is on, both the green LED (6 & 8) will be ON and red LED (5 & 7) will be off.
4. When one Power Cell is inserted into each side of the charger, the red LED (5) or (7) will remain ON and green LED (6) or (8) will be off, indicating that the Power Cell is being charged. The other side without battery shows the green LED is flashing.
5. When one Power Cell is fully charged, the green LED (6) or (8) will remain green and the red LED (5) or (7) will be off.
6. When two Power Cells are inserted into the charger, the red LED (5) & (7) will remain ON and green LED (6) & (8) will be off, indicating that the Power Cells are charging.
7. When two Power Cells are fully charged, the green LED (6) & (8) will remain green and the LED (5) & (7) will be off.
8. When the Power Cell is fully charged, remove it from the charger and unplug the charger from the power source.



ASSEMBLY AND OPERATING

NOTES:

a) Lithium-Ion Power Cells will continue to provide nearly full power with minimal power fade unlike traditional batteries; when the Power Cell is fully discharged, the Power Cell electronic control circuitry will immediately cut power output to the tool without notice. A discharged Power Cell should be promptly recharged to maintain its operational voltage potential and to be ready for future use.

b) Do NOT charge the Power Cell when the work area or the Power Cell temperature is at or below 32° F (0°C) or above 113° F (45°C). The optimal temperature is 68° F (20°C).

c) Remove the Power Cell from the charger and unplug the charger once the Power Cell has been completely charged.

NOTES

NOTES

WARRANTY

MANUFACTURER'S LIMITED WARRANTY FOR:

Cub Cadet®

powered by **CORE**™

The limited warranty set forth below is given by Cub Cadet LLC (Cub Cadet) with respect to new merchandise purchased and used in the United States, its possessions and territories.

Cub Cadet warrants this product against defects in material and workmanship for a period of three (3) years commencing on the date of original purchase and will, at its option, repair or replace, free of charge, any part found to be defective in material or workmanship. This limited warranty shall only apply if this product has been operated and maintained in accordance with the Operator's Manual furnished with the product, and has not been subject to misuse, abuse, commercial use, neglect, accident, improper maintenance, alteration, vandalism, theft, fire, water or damage because of other peril or natural disaster. Damage resulting from the installation or use of any accessory or attachment not approved by Cub Cadet for use with the product(s) covered by this manual will void your warranty as to any resulting damage. This warranty is limited to one (1) year from the date of original retail purchase for any Cub Cadet product that is used for rental or commercial purposes, or any other income-producing purpose.

HOW TO OBTAIN SERVICE: Warranty service is available, WITH PROOF OF PURCHASE THROUGH YOUR LOCAL AUTHORIZED SERVICE DEALER. To locate the dealer in your area, visit our website at www.cubcadet.com or www.cubcadet.ca, check for a listing in the Yellow Pages, call **1-877-282-8684** or **1-800-668-1238** in Canada, or write to P.O. Box 361131, Cleveland, OH 44136-0019. No product returned directly to the factory will be accepted unless prior written permission has been extended by the Customer Service Department of Cub Cadet.

WARRANTY

This limited warranty does not provide coverage in the following cases:

- A. Tune-ups - Spark Plugs, Carburetor Adjustments, Filters
- B. Wear items - Bump Knobs, Outer Spools, Cutting Line, Inner Reels, Starter Pulley, Starter Ropes, Drive Belts, Saw Chains, Guide Bars, Cultivator Tines, Blades.
- C. Cub Cadet does not extend any warranty for products sold or exported outside of the United States of America, its possessions and territories, except those sold through Cub Cadet's authorized channels of export distribution.

Cub Cadet reserves the right to change or improve the design of any Cub Cadet Product without assuming any obligation to modify any product previously manufactured.

No implied warranty, including any implied warranty of merchantability or fitness for a particular purpose, applies after the applicable period of express written warranty above as to the parts as identified. No other express warranty or guaranty, whether written or oral, except as mentioned above, given by any person or entity, including a dealer or retailer, with respect to any product shall bind Cub Cadet. During the period of the Warranty, the exclusive remedy is repair or replacement of the product as set forth above. (Some states do not allow limitations on how long an implied warranty lasts, so the above limitation may not apply to you.)

The provisions as set forth in this Warranty provide the sole and exclusive remedy arising from the sales. Cub Cadet shall not be liable for incidental or consequential loss or damages including, without limitation, expenses incurred for substitute or replacement lawn care services, for transportation or for related expenses, or for rental expenses to temporarily replace a warranted product. (Some states do not allow limitations on how long an implied warranty lasts, so the above limitation may not apply to you.)

WARRANTY

In no event shall recovery of any kind be greater than the amount of the purchase price of the product sold. Alteration of the safety features of the product shall void this Warranty. You assume the risk and liability for loss, damage, or injury to you and your property and/or to others and their property arising out of the use or misuse or inability to use the product.

This limited warranty shall not extend to anyone other than the original purchaser, original lessee or the person for whom it was purchased as a gift.

How State Law Relates to this Warranty: This warranty gives you specific legal rights, and you may also have other rights which vary from state to state.

To locate your nearest service dealer, dial **1-877-282-8684** in the United States or **1-800-668-1238** in Canada.

CUB CADET LLC

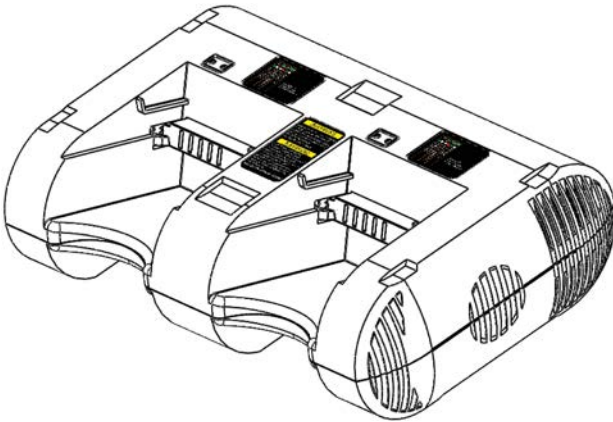
P.O. Box 361131
Cleveland, OH 44136-0019

Cub Cadet®

powered by **CORE™**

Chargeur Standard ELITE CESC8000

Manuel d'utilisation



SPÉCIFICATIONS

Utiliser SEULEMENT avec pile :	CEC6600 40V haute énergie
Chargeur :	Chargeur Standard ELITE
Puissance absorbée :	100~240 V CA, 60/50 Hz
Puissance fournie :	42 V DC
Poids :	4.85 lb 77.6 oz (2.2 kg)

Besoin d'aide?

Pour obtenir de l'aide sur l'assemblage, le fonctionnement ou la maintenance de l'appareil, veuillez composer le **1-877-282-8684** (aux États-Unis) ou le **1-800-668-1238** (au Canada). Des renseignements supplémentaires peuvent être trouvés sur le site **www.cubcadet.com** (aux États-Unis) ou **www.cubcadet.ca** (au Canada).

TABLE DES MATIÈRES

Spécifications du produit	1
Table des matières	2
Avertissements - sécurité générale	3-4
Sécurité - électricité	3
Enregistrement du propriétaire	4
Sécurité générale - outil électrique	4-5
Sécurité - aire de travail	4
Sécurité - électricité	4-5
Sécurité - personnes	5
Service	5
Règles de sécurité particulières	5-8
Chargement de la pile	9-11
Garantie	14-16



AVERTISSEMENT :

Le chargeur peut être utilisé par les enfants à partir de 8 ans, les personnes à capacités physiques, sensorielles ou mentales réduites ainsi que les personnes qui n'ont pas d'expérience ou de connaissances à condition qu'ils soient supervisés et qu'ils aient reçu des directives concernant l'utilisation du chargeur d'une manière sûre en plus d'avoir compris les dangers associés à son utilisation. Le chargeur standard ELITE n'est pas un jouet. Le nettoyage et l'entretien ne doivent pas être faits par les enfants sans une supervision adéquate.

AVERTISSEMENTS ET SÉCURITÉ GÉNÉRALE

 Avant d'utiliser le chargeur ELITE Standard, lisez ce manuel et toutes les instructions et les avertissements figurant sur le chargeur de cellule d'énergie, la cellule d'énergie et l'outil électrique, et respectez toutes les règles de sécurité et d'utilisation.

MISE EN GARDE : Pour réduire le risque d'incendie ou d'électrocution, suivez attentivement ces instructions, ne rechargez qu'un seul type de pile à cellule d'énergie CEC6600 fabriquée par Cub Cadet; d'autres types de batteries peuvent éclater et causer des blessures et des dommages.

CONSERVER CES INSTRUCTIONS : ce manuel contient d'importantes consignes de sécurité et de fonctionnement relatives au chargeur de cellule d'énergie modèle CESC8000.


Ce manuel d'utilisation comprend :

- Règles de sécurité générale
- Symboles et règles particulières de sécurité
- Description fonctionnelle
- Assemblage
- Fonctionnement

 **AVERTISSEMENT :** Veuillez conserver le présent manuel pour consultation future.

Veuillez fournir le manuel à tous les opérateurs et vous assurer qu'ils ont bien lu et compris les règles de sécurité ainsi que les consignes d'utilisation avant de se servir de l'outil.

SÉCURITÉ - ÉLECTRICITÉ

 **AVERTISSEMENT :** Pour ne pas endommager l'outil, pour éviter les risques de choc électrique et d'incendie, utilisez un circuit de protection approprié.

Le chargeur de l'outil est câblé en usine pour une alimentation de 100/240 V. Il doit être branché sur un disjoncteur ou sur un fusible temporisé de 100/240 V, 60/50 Hz et 15 A. Pour éviter les risques de choc électrique ou d'incendie, remplacez sans attendre un cordon d'alimentation qui est usé, coupé ou endommagé.

AVERTISSEMENTS ET SÉCURITÉ GÉNÉRALE

ENREGISTREMENT DU PROPRIÉTAIRE

Veillez enregistrer votre produit en ligne à l'adresse www.cubcadet.com (aux États-Unis) ou à l'adresse www.cubcadet.ca (au Canada).

SÉCURITÉ GÉNÉRALE - OUTIL ÉLECTRIQUE

SÉCURITÉ GÉNÉRALE - OUTIL ÉLECTRIQUE

⚠ AVERTISSEMENT : **Veillez lire tous les avertissements relatifs à la sécurité et toutes les instructions.** *Le défaut d'observer les avertissements et de suivre les instructions peut causer des chocs électriques, un incendie ou de graves blessures.*

Conservez tous les avertissements et toutes les instructions pour consultation future.

Sécurité – aire de travail

Gardez les aires de travail propres et bien éclairées. *Les lieux encombrés ou sombres sont propices aux accidents.*

N'utilisez pas des outils électriques dans des atmosphères explosives, notamment en présence de poussière, de gaz ou de liquides inflammables. *Les outils électriques produisent des étincelles pouvant enflammer les liquides, les vapeurs ou la poussière.*

Gardez les enfants et les spectateurs à l'écart lorsque l'outil électrique fonctionne. *Les distractions peuvent vous faire perdre le contrôle de l'outil.*

Sécurité – électricité

La fiche du chargeur doit convenir à la prise. Ne modifiez jamais la fiche. N'utilisez pas de fiche d'adaptation avec un chargeur mis à la terre. *Les fiches non modifiées et les prises adéquates réduisent les risques de choc électrique.*

Évitez tout contact avec les surfaces mises à la terre, notamment les tuyaux, les radiateurs, les cuisinières et les réfrigérateurs. *Le risque de choc électrique est accru, si une partie du corps est mise à la terre.*

Évitez d'exposer l'outil électrique, le chargeur ou la pile à la pluie et évitez tout contact avec de l'eau. *Le risque de choc électrique est accru si de l'eau s'infiltré dans l'outil, le chargeur ou la pile.*

SÉCURITÉ GÉNÉRALE - OUTIL ÉLECTRIQUE

Servez-vous du cordon d'alimentation aux fins pour lesquelles il est conçu seulement. N'utilisez jamais le cordon pour transporter, tirer ou débrancher l'outil. Tenez le cordon à l'écart de la chaleur, de l'huile, des bords coupants et des pièces en mouvement. *Le risque de choc électrique est accru si le cordon est endommagé ou enchevêtré.*

Si vous utilisez le chargeur à l'extérieur, servez-vous d'une rallonge conçue pour l'extérieur. *L'utilisation d'une rallonge pour l'extérieur réduit le risque de choc électrique.*

Si l'utilisation du chargeur dans un lieu humide est inévitable, utilisez une alimentation électrique protégée contre le courant résiduel ou un disjoncteur différentiel de fuite à la terre (DDFT). *L'utilisation de ce dispositif réduit le risque de choc électrique.*

Sécurité – personnes

Lorsque vous utilisez un outil électrique, soyez vigilant et conscient de votre environnement, surveillez ce que vous faites et servez-vous de votre bon sens. Évitez d'utiliser un outil électrique si vous êtes fatigué, sous l'effet de drogues, de médicaments ou de l'alcool. *Un moment d'inattention peut causer de graves blessures.*

Sécurité - service

L'entretien de l'outil électrique ou du chargeur doit être effectué par une personne qualifiée seulement. Les pièces de rechange doivent être identiques aux pièces originales. *Ces mesures assurent le fonctionnement sécuritaire de l'outil ou du chargeur.*

RÈGLES DE SÉCURITÉ PARTICULIÈRES

⚠ AVERTISSEMENT : Utilisez seulement un chargeur standard CESC8000 pour charger la pile CEC6600. L'utilisation de tout autre chargeur risque d'endommager la pile ou le chargeur, de produire des vapeurs dangereuses et de causer un incendie, une explosion, des brûlures ou d'autres blessures graves.

⚠ AVERTISSEMENT : Danger d'incendie.

Entreposez et transportez la pile de manière à éviter que des objets en métal touchent aux bornes en métal à découvert. Ne placez jamais la pile dans un tablier, une poche, un tiroir, une boîte à outils, etc. où se trouvent des objets métalliques comme par exemple, mais sans en exclure d'autres, des clous, des vis, des boulons, des clés, de la monnaie, des broches, du papier d'aluminium, etc. Lesdits objets risquent de causer un court-circuit provoquant un incendie, une explosion ou des vapeurs dangereuses ainsi que des dommages matériels ou des blessures.

RÈGLES DE SÉCURITÉ PARTICULIÈRES

N'essayiez jamais d'ouvrir, de modifier, de démonter, d'écraser, de percer, de déchiqueter la pile ou d'inverser la polarité, pour une raison ou une autre.

Si le boîtier de la pile se brise, se fendille, gonfle ou s'il est perforé, cessez immédiatement d'utiliser la pile et ne la rechargez pas.

Ne chargez pas et n'utilisez pas une pile qui est tombée, qui a reçu un coup dur, sur laquelle on a posé un poids, qui a surchauffé ou qui est fendillée, écrasée, déformée ou perforée. Si une pile est endommagée (pour une des raisons précédentes), isolez-la immédiatement dans un lieu sûr, à l'extérieur, à l'écart des matières combustibles. Tenez-vous à distance, mais ne la laissez pas sans surveillance. La pile doit être considérée et elle doit être traitée comme une matière dangereuse, inflammable, qui pourrait être instable thermiquement. Si la pile s'enflamme, éteignez l'incendie avec un brouillard d'eau, du dioxyde de carbone, une poudre chimique ou de la mousse. Évitez d'inhaler les vapeurs dangereuses et toute exposition à celles-ci. Communiquez avec les organismes responsables des matières dangereuses pour connaître la façon adéquate de manipuler et d'éliminer en toute sécurité une pile endommagée. Prenez immédiatement des mesures pour éliminer en toute sécurité une pile endommagée conformément aux règlements locaux sur les matières dangereuses.

N'utilisez pas et ne rechargez pas une pile qui est humide ou qui présente des signes de corrosion.

⚠ AVERTISSEMENT : La pile peut fuir légèrement en cas d'utilisation, de recharge ou de température extrêmes ou si elle est endommagée, écrasée ou perforée. La fuite indique une défaillance et la pile doit être éliminée conformément aux règlements locaux sur les matières dangereuses.

En cas de contact cutané ou oculaire avec le liquide, suivez ces directives :

1. Lavez immédiatement la peau avec du savon et de l'eau.
2. En cas de contact avec les yeux, rincez immédiatement à l'eau propre pendant au moins 20 minutes et consultez un médecin.

En cas de contact avec les vêtements ou les chaussures, retirez les vêtements contaminés, isolez-les et lavez-les.

Évitez de laver, d'éclabousser ou d'immerger la pile dans l'eau ou dans un autre liquide.

Gardez la pile hors de la portée des enfants et à l'écart des personnes qui ne sont pas familières avec les présentes instructions.

La pile ne doit pas être exposée à la chaleur, au feu et elle ne doit pas être incinérée. Elle pourrait exploser et des vapeurs dangereuses risquent d'être libérées.

Éviter d'entreposer ou d'utiliser la pile dans des lieux où la température peut atteindre ou excéder 105 °F (40 °C), notamment dans les cabanons ou les bâtiments en métal extérieurs, dans une boîte à outils, à l'intérieur ou dans le coffre d'un véhicule pendant l'été. Évitez d'entreposer la pile sous la lumière solaire directe.

RÈGLES DE SÉCURITÉ PARTICULIÈRES

Pour le transport par voies terrestre, aérienne et maritime, les piles au lithium-ion sont classées comme une marchandise dangereuse (classe 9) et sont assujetties aux instructions techniques de l'OACI, aux règlements sur les marchandises dangereuses de l'IATA ainsi qu'aux règlements du Department of Transportation (É.-U.) et de Transports Canada sur les matières dangereuses (TMD) (et autres règlements nationaux applicables). Les piles sont réglementées quant à leur transport dans les bagages enregistrés et les expéditeurs sont assujettis aux règlements relatifs à la déclaration, aux normes, à la quantité et à l'emballage. Avant d'expédier la pile ou de voyager avec une pile, veuillez vérifier auprès des fournisseurs de services de transport terrestre et maritime, de fret aérien et auprès des services aériens de passagers quels sont les règlements courants afin de déterminer si les piles au lithium-ion sont interdites ou si elles sont assujetties à des restrictions ou des exemptions.

Retirez la pile de son emballage original seulement au moment de l'utiliser.

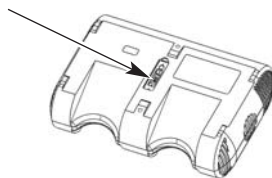
Gardez toujours la pile propre et sèche. Si les bornes sont sales, essuyez-les avec un linge propre et sec.

Recommandations pour l'entreposage :

Entreposez la pile dans un lieu sûr et sécuritaire, frais et sec, à l'écart de la lumière solaire directe, de la chaleur et du froid excessifs. *L'exposition à une chaleur excessive ou l'exposition prolongée à la chaleur diminue le rendement et la durée de vie utile de la pile.*

N'utilisez pas une rallonge. Branchez le cordon du chargeur directement sur une prise de courant.

Utilisez le chargeur uniquement dans une prise électrique standard de 100 ou 240 V CA, à 50/60 Hz. Choisissez une tension de 115V CA ou 230V CA en modifiant le commutateur de tension (1) sur la partie inférieure du chargeur.



AVERTISSEMENT :

N'utilisez pas le chargeur dans un milieu humide et à l'extérieur. Le chargeur est conçu pour être utilisé à l'intérieur seulement. Lors de l'entreposage, évitez que le chargeur soit exposé à la rosée, à la pluie, aux arroseurs, au gel ou à la neige. N'utilisez pas le chargeur à proximité d'un évier ou d'une cuve. Le chargeur ne doit jamais être immergé dans l'eau. *Les risques de choc électrique sont plus élevés si de l'eau s'est infiltrée dans le chargeur ou dans la pile.*

N'utilisez pas le chargeur dans une atmosphère explosive, notamment en présence de poussière, de gaz ou de liquides inflammables. *Les chargeurs peuvent produire des étincelles qui risquent d'enflammer les poussières, les vapeurs ou les liquides.*

RÈGLES DE SÉCURITÉ PARTICULIÈRES

N'utilisez le chargeur standard CESC8000 pour charger d'autres piles que la pile CEC6600. Le fait de mettre en charge un autre modèle de pile avec les chargeurs en question risque de faire éclater la pile, de produire des vapeurs toxiques, de la mettre en feu ou de la faire exploser.

Ne laissez pas le cordon du chargeur pendre au bord d'une table ou d'un comptoir. Évitez de placer le chargeur là où le cordon risque de s'emmêler avec des objets en mouvement, de faire trébucher une personne ou d'être en contact avec des objets coupants et des surfaces chaudes. Le chargeur doit être rangé à l'écart des éviers et des surfaces chaudes.

Ne prolongez pas la charge d'une pile. Retirez la pile du chargeur dès qu'elle est chargée à bloc et débranchez le chargeur après son utilisation.

N'utilisez pas le chargeur si la fiche ou le cordon d'alimentation est endommagé. Demandez à un technicien qualifié de remplacer sans attendre une fiche ou un cordon d'alimentation endommagé.

N'utilisez pas un chargeur qui est tombé, qui a reçu un coup dur, qui a été écrasé, qui est fendillé ou perforé, qui a été immergé ou éclaboussé avec de l'eau ou un autre liquide, ou qui est autrement endommagé. Faites examiner le chargeur par un technicien qualifié pour qu'il le répare au besoin. Ne le démontez pas et ne le modifiez pas.

⚠ ATTENTION : Lorsque le chargeur est branché sur la prise, il peut être court-circuité par un corps étranger conducteur, ce qui risque de causer des étincelles ou des incendies. Tenez les corps étranger notamment, mais sans en exclure d'autres, les rognures ou les copeaux de métal, la laine d'acier, le papier d'aluminium, les clous, les broches et les trombones, à l'écart des ouvertures de ventilation du chargeur, du réceptacle de la pile et des bornes de sortie.

Ne mettez PAS en charge la pile lorsque l'aire de travail ou la température de la pile est égale ou inférieure à 0 °C (32 °F), ou supérieure à 45 °C (113 °F).

Débranchez le chargeur lorsqu'il n'est pas utilisé et avant le nettoyage ou l'entretien.

RECYCLAGE DE LA PILE

Afin de préserver nos ressources naturelles et réduire les décharges, veuillez recycler la pile chez un détaillant participant ou l'éliminer adéquatement, conformément aux règlements fédéraux, provinciaux et locaux.

ASSEMBLAGE ET FONCTIONNEMENT

MISE EN CHARGE DE LA PILE

⚠ AVERTISSEMENT : Utilisez seulement un chargeur standard CESC8000 pour charger la pile CEC6600. Le fait de charger une autre pile avec le présent chargeur risque de causer un incendie, une explosion ou de produire des vapeurs dangereuses pouvant endommager la pile, le chargeur en plus de causer de graves blessures ainsi que des dommages matériels.

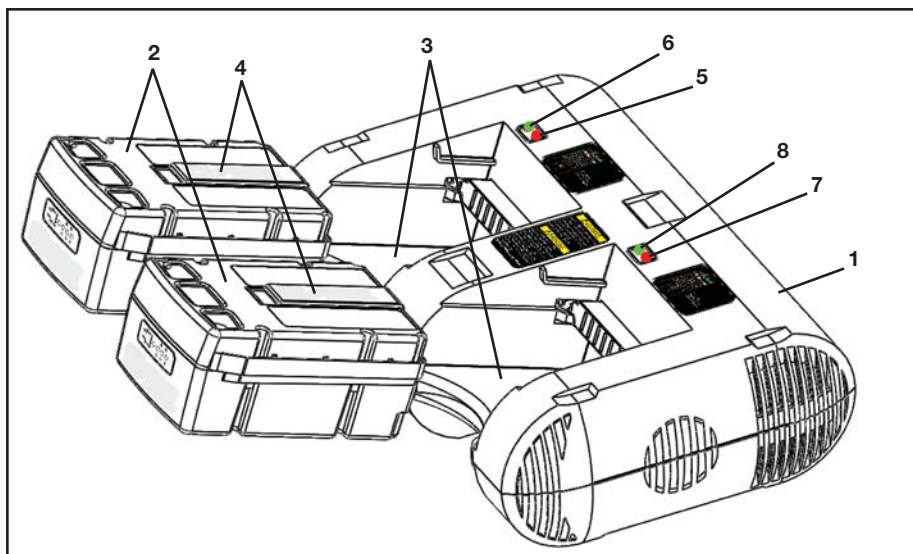
Cordon d'alimentation : Utilisez un cordon d'alimentation amovible UL/CUL, de type SPT-2, à 18 AWG, trois conducteurs, dont la puissance nominale est de VW-1, 105°C 300V. La longueur minimale du cordon externe est de 1,2 m. Une extrémité se termine par une prise de raccordement moulée avec une

configuration 15A, 125V (NEMA 1-15P). L'autre extrémité se termine par un connecteur moulé sur lequel s'enfiche le chargeur Power Cell.

1. Pour charger la pile Power Cell CEC6600, après avoir choisi 115V ou 230V sur la partie inférieure du chargeur, placez le chargeur (1) dans un endroit sec et branchez-le dans la prise appropriée.

NOTAS :

- a) Le chargeur arrête de fonctionner dès que la superbatterie est chargée à fond.
- b) Le chargeur peut charger une ou deux superbatteries en même temps.



ASSEMBLAGE ET FONCTIONNEMENT

MISE EN CHARGE DE LA PILE – suite

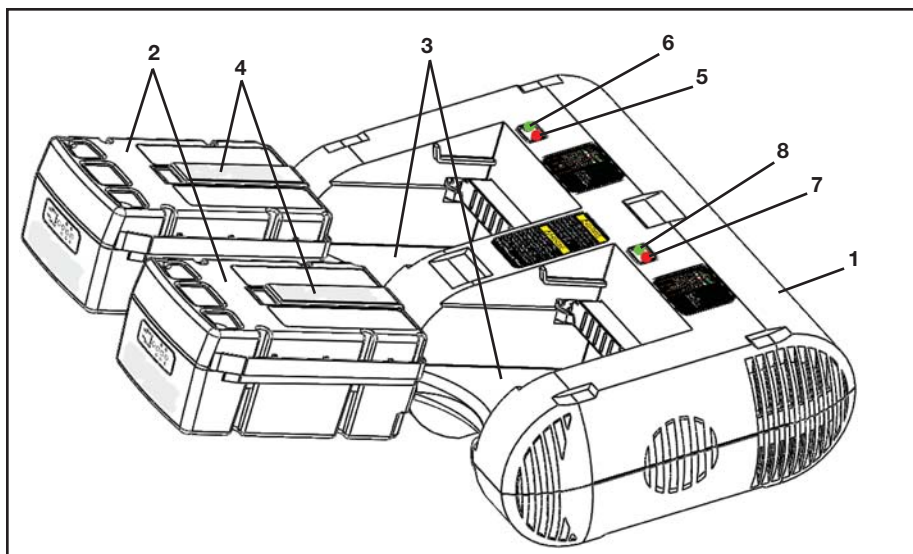
- Insérez la superbatterie (2) dans le compartiment approprié (3) au haut du chargeur.

NOTAS :

- Assurez-vous que l'arête (4) en saillie sur le dessus de la batterie est dirigée vers les témoins DEL (5, 6 et 7, 8) du chargeur.
 - Assurez-vous que la superbatterie est insérée à fond dans le compartiment du chargeur.
- Lorsque le chargeur est sous tension, les deux voyants DEL verts (6 et 8) sont allumés et les voyants DEL rouges (5 et 7) sont éteints.

- Si une superbatterie est insérée dans un des côtés du chargeur, le voyant DEL rouge (5) ou (7) s'allume et le voyant DEL vert (6) ou (8) s'éteint, ce qui indique que la superbatterie est en charge. Le voyant DEL vert clignote sur le coté sans batterie.

- Une fois qu'une superbatterie est chargée à fond, le voyant DEL vert (6) ou (8) s'allume et le voyant DEL rouge (5) ou (7) s'éteint.
- Si deux superbatteries sont insérées dans le chargeur, les voyants DEL rouges (5) et (7) s'allument et les voyants DEL verts (6) et (8) s'éteignent, ce qui indique que les superbatteries sont en charge.



ASSEMBLAGE ET FONCTIONNEMENT

MISE EN CHARGE DE LA PILE – suite

7. Une fois que les deux superbatteries sont chargées à fond, les voyants DEL verts (6) et (8) s'allument et les voyants DEL rouges (5) et (7) s'éteignent.
8. Lorsque la superbatterie est chargée à fond, retirez-la du chargeur et débranchez le chargeur de la source d'alimentation.

NOTA :

a) Contrairement aux piles traditionnelles, les piles au lithium-ion perdent très peu d'énergie et conservent presque toute leur pleine puissance. Lorsque la pile est complètement déchargée, le circuit électronique de commande de la pile coupe immédiatement la puissance de sortie vers l'outil, sans avertissement. Une pile déchargée doit être rechargée le plus tôt possible afin de conserver son potentiel de tension de fonctionnement et pour la prochaine utilisation.

b) Ne mettez PAS en charge la pile lorsque l'aire de travail ou la température de la pile est égale ou inférieure à 32 °F (0 °C), ou supérieure à 113 °F (45 °C). La température optimale est de 68 °F (20 °C).

c) Après avoir chargé la pile à bloc, retirez-la du chargeur et débranchez le chargeur.

REMARQUES

REMARQUES

GARANTIE

GARANTIE LIMITÉE DU FABRICANT POUR :

Cub Cadet®

powered by **CORE**™

La garantie limitée énoncée ci-après est accordée par Cub Cadet LLC (« Cub Cadet ») et s'applique aux produits neufs achetés et utilisés aux États-Unis, ses possessions et territoires.

Cub Cadet garantit ce produit contre tout défaut de pièces et de main d'œuvre pendant une période de trois (3) ans à compter de la date d'achat initiale et s'engage à titre gratuit à réparer ou à remplacer, à sa discrétion, toute pièce présentant un défaut de pièces et de main d'œuvre. Cette garantie limitée s'applique uniquement si le produit a été utilisé et entretenu conformément aux instructions du manuel de l'opérateur livré avec le produit, et qu'il n'a pas fait l'objet d'une utilisation inadéquate, abusive, commerciale ou négligente, d'un accident, d'un entretien inapproprié, d'une modification, d'un acte de vandalisme, d'un vol, d'un incendie, d'une inondation ou d'un dommage découlant d'une catastrophe naturelle ou autre. Tout dommage découlant de l'installation ou de l'utilisation d'une pièce ou d'un accessoire non approuvé par Cub Cadet avec le(s) produit(s) couvert(s) dans le présent manuel annulera la garantie quant aux dommages qui en résulteraient. Cette garantie est limitée à un (1) an à compter de la date d'achat initiale pour tout produit Cub Cadet qui est utilisé à des fins locatives ou commerciales, ou tout autre usage lucratif.

OBTENTION DU SERVICE DE GARANTIE : le service de garantie est disponible SUR PRÉSENTATION D'UNE PREUVE D'ACHAT AUPRES DE VOTRE CENTRE DE RÉPARATION LOCAL AGREE. Pour trouver le revendeur le plus proche, visitez notre site Internet sur www.cubcadet.com ou www.cubcadet.ca, consultez les pages jaunes, téléphonez au **1-877-282-8684** ou **1-800-668-1238** au Canada, ou adressez un courrier à P.O. Box 361131, Cleveland, OH 44136-0019. Aucun produit retourné directement à l'usine ne sera accepté si le service à la clientèle de Cub Cadet n'a pas accordé une autorisation préalable et écrite au client.

GARANTIE

Cette garantie limitée ne s'applique pas dans les cas suivants :

- A. Mises au point : bougies, réglages du carburateur, filtres
- B. Éléments d'usure : boutons de butée, bobines extérieures, fil de coupe, moulinsets, poulie du démarreur, câbles de démarreur, courroies d'entraînement, chaînes de scie, barres de guidage, couteaux de cultivateur, lames.
- C. Cub Cadet n'accorde aucune garantie pour les produits vendus ou exportés des États-Unis d'Amérique, ses possessions et territoires, à l'exception des produits vendus par le biais du réseau agréé de distribution à l'exportation de Cub Cadet.

Cub Cadet se réserve le droit de modifier ou d'améliorer la conception de ses produits sans pour autant assumer l'obligation de modifier tout produit de fabrication plus ancienne.

Aucune garantie implicite, y compris toute garantie de qualité marchande ou d'adéquation à un usage particulier, n'est valable après la période applicable de la garantie expresse et écrite ci-dessus concernant les pièces qui sont identifiées. Aucune autre garantie expresse, écrite ou orale, à l'exception de celle mentionnée ci-dessus, accordée par toute personne ou entité, y compris un revendeur ou un distributeur, concernant tout produit ne peut engager Cub Cadet. Pendant la période de garantie, l'unique recours est la réparation ou le remplacement du produit dans les conditions énoncées ci-dessus. (Certains états n'autorisent pas la limitation de la durée d'une garantie implicite ; de ce fait, les limitations ci-dessus peuvent ne pas vous concerner.)

Les dispositions énoncées dans la présente garantie constituent le recours unique et exclusif inhérent à la vente. Cub Cadet ne sera pas tenu responsable des pertes ou dommages accessoires ou indirects, y compris sans aucune limite, les dépenses découlant de l'utilisation de services de remplacement ou de substitution pour l'entretien de votre pelouse, du transport ou des dépenses associées, ou de la location permettant le remplacement temporaire d'un produit garanti. (Certains états n'autorisent pas la limitation de la durée d'une garantie implicite ; de ce fait, les limitations ci-dessus peuvent ne pas vous concerner.)

GARANTIE

Aucun recouvrement de quelque nature qu'il soit ne pourra dépasser le prix d'achat du produit vendu. Toute modification des dispositifs de sécurité du produit annulera cette garantie. Vous assumez le risque et la responsabilité résultant d'une perte, d'un dommage ou d'un préjudice que vous et vos biens et /ou que d'autres personnes et leurs biens pourront encourir du fait de l'utilisation normale ou abusive ou de l'incapacité à utiliser ce produit.

Cette garantie limitée ne doit en aucun cas inclure toute personne autre que l'acheteur d'origine, le preneur initial ou la personne à laquelle le produit a été offert.

Rapport de cette garantie avec les lois de chaque état : la présente garantie vous confère certains droits juridiques spécifiques, et vous pouvez bénéficier d'autres droits qui varient d'un état à l'autre.

Pour trouver le centre de réparation le plus proche, composez le **1-877-282-8684** aux États-Unis ou le **1-800-668-1238** au Canada.

CUB CADET LLC

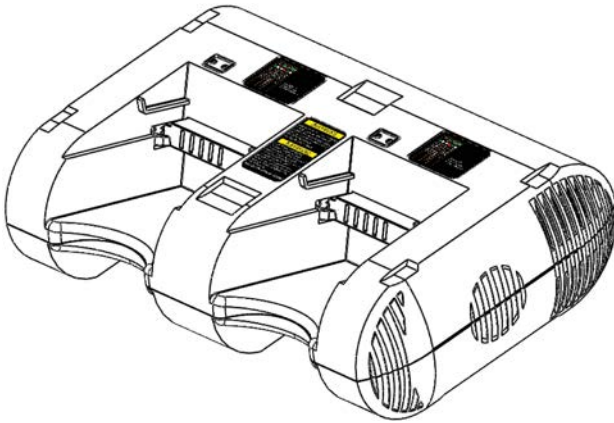
P.O. Box 361131
Cleveland, OH 44136-0019

Cub Cadet®

powered by **CORE™**

Cargador Elite estándar CESC8000

Manual de Instrucciones



ESPECIFICACIONES DEL PRODUCTO

Usar SOLO con batería:	CEC6600 40 voltios alta energía ion-litio
Cargador:	Cargador ELITE estándar
Entrada al cargador:	100/240 V AC, 60/50 Hz
Salida de cargador:	42V DC
Peso:	4.85 lb. 77.6 oz. (2.2 kg)

¿Necesita asistencia?

Para obtener ayuda en relación con el montaje, el funcionamiento o el mantenimiento de la unidad, llame al **1-877-282-8684** (en los Estados Unidos) o al **1-800-668-1238** (en Canadá). Se puede encontrar información adicional en **www.cubcadet.com** (en los Estados Unidos) o **www.cubcadet.ca** (en Canadá).

ÍNDICE


Especificaciones del producto	1
Índice	2
Advertencia general de seguridad	3-4
Seguridad eléctrica	3
Registro del propietario	4
Advertencias de seguridad generales para herramientas eléctricas ..	4-5
Seguridad del área de trabajo	4
Seguridad eléctrica	4-5
Seguridad personal	5
Servicio	5
Reglas de seguridad específicas	6-9
Cargar la batería	9-11
Garantía	13-15



ADVERTENCIA:

Este cargador ELITE estándar puede ser usado por niños de 8 años en adelante y personas con capacidades físicas, sensoriales o mentales reducidas o falta de experiencia y conocimientos si han sido supervisados o instruidos con respecto al uso seguro del cargador ELITE estándar de forma segura y comprenden los riesgos que supone. Los niños no deben jugar con el cargador ELITE estándar. La limpieza y el mantenimiento del usuario no serán realizados por niños sin supervisión.

ADVERTENCIAS DE SEGURIDAD GENERALES


 Antes de usar el cargador ELITE estándar, lea este manual y todas las instrucciones y las marcas de precaución del cargador de batería, la batería y la herramienta eléctrica y siga todas las normas de seguridad y las instrucciones operativas.

PRECAUCIÓN: Para reducir el riesgo de incendio o descarga eléctrica, siga estas instrucciones con atención, cargue únicamente tipo de batería CEC6600 fabricada por Cub Cadet; otros tipos de baterías pueden explotar y causar lesiones personales y daños.

GUARDE ESTAS INSTRUCCIONES: este manual contiene instrucciones de seguridad y operativas importantes para el cargador de batería modelo CESC8000.

Este manual de instrucciones incluye:

- Normas generales de seguridad
- Normas de seguridad específicas y símbolos
- Descripción funcional
- Montaje
- Funcionamiento

 **ADVERTENCIA:** Conserve este manual para consultas futuras. Suministre este manual a todos los operadores y asegúrese de que hayan leído y comprendan todas las normas de seguridad y las instrucciones operativas antes de usar esta herramienta.

SEGURIDAD ELÉCTRICA

 **ADVERTENCIA:** Para evitar peligros eléctricos, de incendio o daños a la herramienta, utilice protección adecuada de circuitos.

El cargador para esta herramienta viene cableado de fábrica para funcionamiento a 100/240 V AC 60/50Hz. Se debe conectar a un circuito de 100/240 V AC 60/50Hz, 15 A que esté protegido por un fusible de retardo o un disyuntor. Si el cable de alimentación está gastado, cortado o dañado, se lo debe hacer cambiar inmediatamente a través del fabricante, su agente de servicio o personas igualmente calificadas para evitar descargas, incendio o peligros.

ADVERTENCIAS DE SEGURIDAD GENERALES

REGISTRO DEL PROPIETARIO

Por favor, registre su producto en línea en www.cubcadet.com (dentro de los Estados Unidos) o www.cubcadet.ca (en Canadá).

ADVERTENCIAS DE SEGURIDAD GENERALES PARA HERRAMIENTAS ELÉCTRICAS

ADVERTENCIAS DE SEGURIDAD GENERALES PARA HERRAMIENTAS ELÉCTRICAS

⚠ ADVERTENCIA: Lea todas las advertencias de seguridad y todas las instrucciones. Si no se siguen las advertencias y las instrucciones se pueden producir descargas eléctricas, incendio y/o lesiones graves.

Guarde todas las advertencias y las instrucciones para referencia futura.

Advertencias de seguridad generales para herramientas eléctricas - Seguridad del área de trabajo

Mantenga el área de trabajo limpia y bien iluminada. Las áreas abarrotadas u oscuras promueven accidentes.

No utilice herramientas eléctricas en atmósferas explosivas, por ejemplo, en presencia de líquidos, gases o polvo inflamables. Las herramientas eléctricas generan chispas que pueden encender los líquidos, gases o polvo.

Mantenga a los niños y transeúntes alejados mientras utiliza una herramienta eléctrica. Las distracciones pueden hacerle perder el control.

Advertencias de seguridad generales para herramientas eléctricas - Seguridad eléctrica

Los enchufes del cargador deben combinar con el tomacorriente. No modifique nunca el enchufe en modo alguno. No utilice ningún enchufe adaptador con cargadores con descarga (conexión) a tierra. Los enchufes sin modificar y los tomacorrientes que combinan reducen el riesgo de descargas eléctricas.

Evite el contacto del cuerpo con superficies con conexión o descarga a tierra, por ejemplo, caños, radiadores, cocinas y estufas. Existe un mayor riesgo de descarga eléctrica si su cuerpo está conectado a tierra.

ADVERTENCIAS DE SEGURIDAD GENERALES PARA HERRAMIENTAS ELÉCTRICAS

No exponga las herramientas eléctricas, los cargadores o las baterías a la lluvia o a condiciones húmedas. *El agua que entra en la herramienta, los cargadores o las baterías aumenta el riesgo de descarga eléctrica.*

No haga mal uso del cable. Nunca use el cable para transportar, jalar o desenchufar el cargador. Mantenga los cables eléctricos lejos del calor, aceite, bordes filosos y piezas en movimiento. *Los cables dañados o enredados aumentan el riesgo de descarga eléctrica.*

Cuando utiliza el cargador en exteriores, use un prolongador de cable adecuado para exteriores. *El uso de un cable adecuado para exteriores reduce el riesgo de descarga eléctrica.*

Si el uso del cargador en una ubicación húmeda es inevitable, utilice alimentación protegida con dispositivo de corriente residual (DCR). El DCR también se conoce como interruptor del circuito de fallas de conexión a tierra (ICFCT) o disyuntor de fuga a tierra (DFA). *La utilización de un DCR reduce el riesgo de descarga eléctrica.*

Advertencias de seguridad generales para herramientas eléctricas - Seguridad personal

Manténgase alerta, sea consciente de lo que lo rodea, mire lo que está haciendo y aplique el sentido común al utilizar una herramienta eléctrica. No utilice una herramienta eléctrica si está cansado o bajo la influencia de drogas, alcohol o medicamentos. *Un momento de distracción mientras utiliza una herramienta eléctrica puede resultar en lesiones personales graves.*

Advertencias de seguridad generales para herramientas eléctricas - Servicio

Su herramienta eléctrica o cargador deben ser reparados por un técnico calificado que use únicamente piezas de repuesto idénticas. *Esto asegurará que se mantenga la seguridad de su herramienta eléctrica o cargador.*

NORMAS ESPECÍFICAS DE SEGURIDAD

⚠ ADVERTENCIA: Utilice únicamente un cargador estándar CESC8000 para cargar la batería CEC6600. El uso de cualquier otro cargador para cargar la batería CEC6600 puede dañar la batería y/o el cargador y causar incendio, explosión, gases peligrosos y posiblemente quemaduras u otras lesiones graves.

⚠ ADVERTENCIA: Peligro de incendio.

No almacene ni transporte la batería de manera tal que objetos metálicos puedan entrar en contacto con los bornes metálicos expuestos. No coloque la batería en mandiles, bolsillos, cajones, cajas de herramientas, etc., con objetos metálicos, por ejemplo, sin limitación, clavos sueltos, tornillos, pernos, llaves, monedas, grapas, láminas de metal, etc. Esos objetos de metal podrían provocar un cortocircuito en la batería y generar un incendio, una explosión y gases peligrosos, con el resultado de lesiones personales o daños materiales.

No intente nunca abrir, modificar, desmantelar, invertir la polaridad, triturar, perforar ni aplastar la batería por ningún motivo.

Si el alojamiento de la batería se rompe, agrieta, hincha o perfora, deje de usarla inmediatamente y no la recargue.

No cargue ni use la batería si se ha caído o ha recibido un golpe fuerte, si se le ha colocado un peso importante encima, si se ha sobrecalentado o si se ha agrietado, aplastado, deformado o perforado. Si la batería se ha dañado (según se indica más arriba o de otro modo), aísle la misma inmediatamente en un área no combustible, exterior y segura, a una distancia segura pero sin dejar de supervisar la misma. Una batería dañada se debe considerar y tratar como material potencial y térmicamente inestable, inflamable y peligroso. Si la batería se enciende, utilice rocío de agua, extinguidores de dióxido de carbono, químico seco o de espuma para apagarlo. Evite la exposición a los gases peligrosos y su inhalación. Comuníquese con las autoridades pertinentes a materiales peligrosos para solicitar orientación con respecto a la manipulación adecuada y la disposición rápida y segura de las baterías dañadas. Disponga la eliminación rápida y segura de la batería dañada de conformidad con las regulaciones locales para materiales peligrosos.

No use ni cargue la batería si está húmeda o tiene señales de corrosión.

⚠ ADVERTENCIA: Se pueden producir fugas de la batería en condiciones extremas de uso, carga o temperatura o si la batería se daña, tritura o perfora. Esta fuga indica una falla de la batería y la batería se debe eliminar adecuadamente de conformidad con las regulaciones locales para materiales peligrosos.

NORMAS ESPECÍFICAS DE SEGURIDAD

Si la fuga entra en contacto con su piel o sus ojos realice los siguientes pasos:

1. Lave la piel inmediatamente y a fondo con jabón y agua.
2. Si le entra líquido en los ojos, enjuague los mismos inmediatamente con agua limpia como mínimo durante 20 minutos y procure atención médica inmediata.

Si el líquido entra en contacto con su vestimenta o calzado, quítese los mismos, aíse y lave la vestimenta contaminada a fondo.

No lave, salpique ni sumerja la batería en agua u otros líquidos.

Mantenga la batería fuera del alcance de los niños y lejos de personas que no estén totalmente familiarizadas con estas instrucciones.

No exponga la batería al calor o al fuego. No incinere la batería. Puede explotar y emitir gases peligrosos.

No almacene ni use la batería en ubicaciones donde la temperatura puede alcanzar o superar 105°F (40°C), por ejemplo, en cobertizos exteriores o edificios metálicos, cajas de herramientas, interior de vehículos o baúles durante el verano. Evite almacenar la batería bajo luz solar directa.

En el caso del transporte aéreo, en buques o terrestre, las baterías de ion-litio se clasifican como mercaderías peligrosas Clase 9, sujetas a las Instrucciones Técnicas de la OACI y a las Regulaciones de Mercaderías Peligrosas de la IATA y a las Regulaciones de Materiales Peligrosos del Departamento de Transporte de EE.UU. y de Canadá [y otras regulaciones nacionales aplicables]. La colocación de esas baterías en el equipaje documentado está restringida y las mismas están sujetas a declaraciones y normas de embarque y a regulaciones de cantidad y embalaje. Confirme con el proveedor de servicios de viaje terrestre, en buque, transporte de carga o servicios aéreos para pasajeros para informarse sobre las regulaciones vigentes y determinar si sus baterías de ion-litio están prohibidas o sujetas a restricciones o exenciones antes de embarcar o de viajar con sus baterías de litio.

No retire la batería de su embalaje original hasta que necesite usar la misma.

Mantenga siempre la batería en un lugar limpio y seco. Limpie los bornes con un paño seco y limpio si se ensucian.

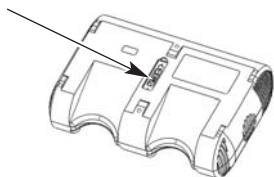
Recomendaciones para el almacenamiento:

El mejor lugar de almacenamiento para las baterías es un lugar seguro y protegido, fresco y seco, alejado de la luz solar directa y del calor o frío excesivo. *La exposición al calor excesivo o prolongado degradará el rendimiento y la vida útil de la batería.*

No use cable prolongador. Enchufe el cable del cargador directamente en el tomacorriente eléctrico.

NORMAS ESPECÍFICAS DE SEGURIDAD

Use el cargador únicamente en un tomacorriente eléctrico estándar de 100 ó 240 V AC, 50/60 Hz. Elija 115V AC o 230V AC mediante el interruptor de voltaje (1) de la parte de abajo del cargador.



ADVERTENCIA: No use el cargador en condiciones húmedas o mojadas. El cargador está destinado exclusivamente al uso en interiores. No lo exponga al rocío, la lluvia ni a aspersores de jardín, a la escarcha o la nieve. No use el cargador cerca de fregaderos o tinas. No sumerja el cargador en el agua. *El agua que entra en los cargadores o las baterías aumenta el riesgo de descarga eléctrica.*

No utilice cargadores en atmósferas explosivas, por ejemplo, en presencia de líquidos, gases o polvo inflamables. *Los cargadores generan chispas que pueden encender los líquidos, gases o polvo.*

Para cargar cualquier otra batería que no sea una batería CEC6600, no utilice el cargador estándar CESC8000. Cargar otras baterías puede hacer que las baterías exploten, se prendan fuego, emitan gases peligrosos o exploten.

No deje que el cable eléctrico cuelgue por encima del borde de una mesa o encimera, que quede colocado en un área donde podría enredarse con objetos en movimiento o que genere un peligro de tropiezo o que esté en contacto con superficies filosas o calientes. El cargador se debe colocar lejos de fregaderos y superficies calientes.

No deje la batería en carga prolongada. Retire la batería después de la recarga completa y desenchufe el cargador cuando no continúe en uso.

No utilice el cargador si el cable o el enchufe está dañado. Haga que un técnico calificado repare el cable y el enchufe dañado inmediatamente.

No utilice el cargador si ha recibido un golpe fuerte, se ha caído, aplastado, agrietado, perforado, sumergido o salpicado con agua u otros líquidos, o si se ha dañado de otra forma. Haga que un técnico calificado examine el cargador y lo repare si es necesario. No desarme ni modifique el cargador.



PRECAUCIÓN: Cuando el cargador está enchufado en la alimentación eléctrica, puede sufrir un cortocircuito causado por material conductor extraño y generar chispas o incendios. El material conductor extraño, incluidos, sin limitación, virutas/astillas de metal, lana de acero, lámina de aluminio, clavos, grapas, ganchos de papel, se debe mantener alejado de las aberturas de ventilación del cargador, de la cavidad que contiene la batería y de los bornes de salida.

NORMAS ESPECÍFICAS DE SEGURIDAD

NO cargue la batería cuando la temperatura del área de trabajo o de la batería es inferior a 0° C (32° F) o superior a 45° C (113° F).

Desenchufe el cargador cuando no esté en uso y antes de la limpieza o mantenimiento.

RECICLAJE DE BATERÍAS

Para preservar nuestros recursos naturales y reducir los rellenos de residuos, por favor, recicle sus baterías a través de los minoristas participantes o elimine las baterías adecuadamente de conformidad con las leyes federales, estatales, provinciales o locales.

MONTAJE Y FUNCIONAMIENTO

CARGAR LA BATERÍA

⚠ ADVERTENCIA: Utilice únicamente un cargador estándar CESC8000 para cargar la batería CEC6600. Cargar cualquier otra batería con este cargador puede dañar las baterías o el cargador, y posiblemente provocar lesiones graves o daños materiales por efecto del fuego, explosión o gases peligrosos.

Cable eléctrico: Use cable eléctrico desmontable homologado por UL/CUL, tipo SPT-2, 18 AWG, de tres conductores, categoría VW-1, 105°C 300V. La longitud mínima externa de cable es 1.2 m. Un extremo termina en un enchufe de acople moldeado con configuración 15A,125V (NEMA 1-15P). El otro extremo termina en un conector moldeado que se acopla al cargador de batería.

MONTAJE Y FUNCIONAMIENTO

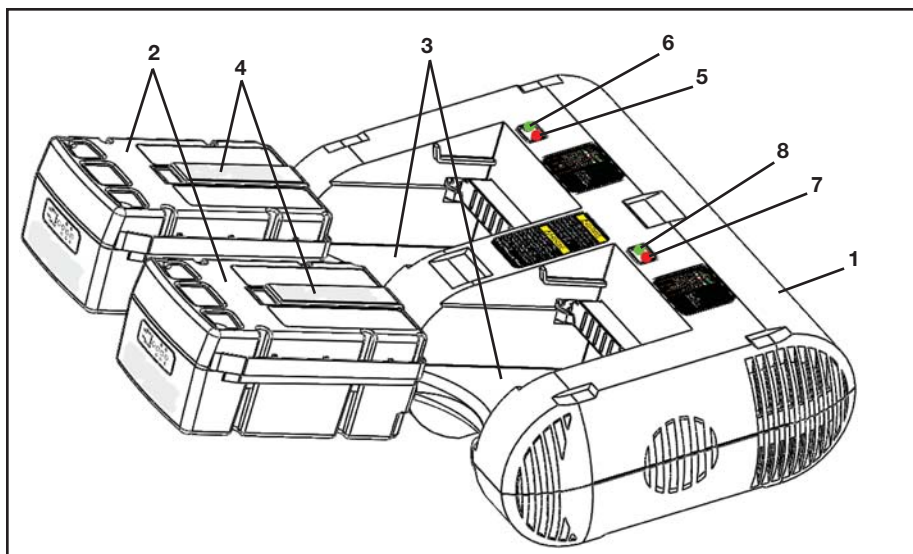
1. Para cargar la batería CEC6600, después de elegir 115V o 230V en la parte de abajo del cargador, coloque el cargador (1) en una ubicación seca y enchúfelo en el tomacorriente apropiado.

NOTAS:

- a) Cuando la batería esté totalmente cargada, el cargador dejará de cargar.
 - b) El cargador puede cargar una o dos baterías al mismo tiempo.
2. Inserte la batería (2) en la cavidad que combine (3) en la parte superior del cargador.

NOTAS:

- a) Verifique que el reborde elevado (4) que está en la parte superior de la célula eléctrica esté mirando hacia las luces LED (5, 6 y 7, 8) del cargador.
 - b) Asegúrese de que la batería esté totalmente hundida dentro de la cavidad del cargador.
3. Cuando la electricidad está encendida, los LED verdes (6 y 8) estarán encendidos y los LED rojos (5 y 7) estarán apagados.
 4. Cuando se inserta una batería en cada lado del cargador, el LED rojo (5) o (7) permanece ENCENDIDO y el LED verde (6) o (8) se apaga, para indicar que la batería se está cargando. El otro lado sin batería muestra el LED verde parpadeando.



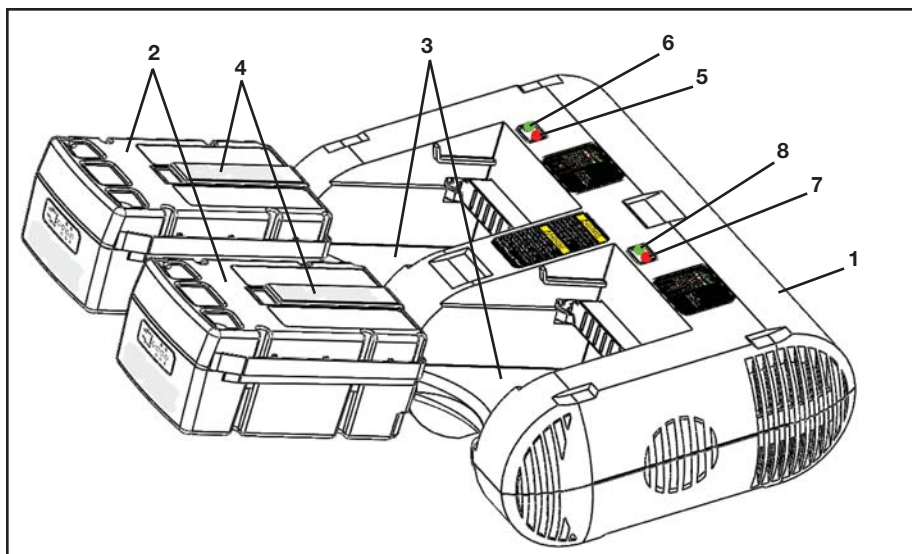
MONTAJE Y FUNCIONAMIENTO

CARGAR LA BATERÍA – cont.

5. Cuando una batería está totalmente cargada, el LED verde (6) o (8) se mantiene de color verde y el LED rojo (5) o (7) queda apagado.
6. Cuando dos baterías se insertan en el cargador, los LED rojos (5) y (7) permanecen ENCENDIDOS y los LED verdes (6) y (8) se apagan, para indicar que las baterías están cargando.
7. Cuando dos baterías están totalmente cargadas, los LED verdes (6) y (8) permanecen de color verde y los LED (5) y (7) se apagan.
8. Cuando la batería esté totalmente cargada, retire la misma del cargador y desenchufe el cargador de la fuente de alimentación.

NOTAS:

- a) Las baterías ion-litio siguen suministrando energía casi completa con mínima atenuación de potencia a diferencia de las baterías tradicionales; cuando la batería está totalmente descargada, los circuitos de control electrónicos de la batería cortarán inmediatamente la salida a la herramienta sin aviso. La batería descargada se debe recargar sin demora para mantener su potencial de voltaje operativo y para quedar en condiciones para el uso futuro.
- b) NO cargue la batería cuando la temperatura del área de trabajo o de la batería es inferior a 32° F (0°C) o superior a 113° F (45°C). La temperatura óptima es 68° F (20°C).
- c) Retire la batería del cargador y desenchufe el cargador después de que la batería se haya cargado completamente.



NOTAS

GARANTÍA

GARANTÍA LIMITADA DEL FABRICANTE PARA:

Cub Cadet®

powered by **CORE**™

La garantía limitada que se extiende a continuación es otorgada por la empresa Cub Cadet LLC (Cub Cadet) y cubre mercaderías nuevas compradas y utilizadas en los Estados Unidos, sus posesiones y territorios.

Cub Cadet garantiza este producto por defectos materiales y de fabricación por un período de tres (3) años a partir de la fecha de la compra original y reparará o cambiará sin cargo cuando lo considere pertinente todas las piezas con defectos materiales o de fabricación. Esta garantía limitada sólo se aplicará si el producto ha sido operado y mantenido de acuerdo con las instrucciones del Manual del Operador que se proporciona con el producto y no ha sido sujeto a uso inapropiado, abuso, uso comercial, abandono, accidente, mantenimiento incorrecto, alteración, vandalismo, robo, incendio, inundación o algún daño debido a otro peligro o desastre natural. El daño resultante por la instalación o el uso de accesorios o uniones no aprobados por Cub Cadet para su uso con el(los) producto(s) incluido(s) en este manual anulará la garantía en lo que respecta a esos daños. La presente garantía se limita a un (1) año a partir de la fecha de la compra minorista original por cualquier producto Cub Cadet que se utilice para fines comerciales o de alquiler, o para cualquier otro objetivo lucrativo.

CÓMO SOLICITAR Y OBTENER SERVICIO TÉCNICO: El servicio de la garantía está disponible, CON PRUEBA DE COMPRA A TRAVÉS DEL DISTRIBUIDOR LOCAL AUTORIZADO PARA EL MANTENIMIENTO. Para ubicar a un distribuidor en su área, visite nuestro sitio web en www.cubcadet.com o www.cubcadet.ca, consulte un listado en las Páginas Amarillas, llame al **1-877-282-8684** o al **1-800-668-1238** en Canadá, o escriba a P.O. Box 361131, Cleveland, OH 44136-0019. No se aceptará ningún producto que sea enviado directamente a la fábrica sin que haya una previa autorización por escrito emitida por el Departamento de Asistencia al Cliente de Cub Cadet.

GARANTÍA

Esta garantía limitada no suministra cobertura en los siguientes casos:

- A. Puestas a punto – Bujías, ajustes al carburador, filtros
- B. Artículos de desgaste – Perillas de impacto, bobinas exteriores, hilo de corte, carretes interiores, polea de arranque, cuerdas de arranque, correas de transmisión, motosierras, barras de guía, dientes de la cultivadora, cuchillas.
- C. Cub Cadet no extiende ninguna garantía para los productos vendidos o exportados fuera de los Estados Unidos de América, sus posesiones y territorios, excepto para aquellos vendidos a través de los canales autorizados de distribución de exportaciones de Cub Cadet.

Cub Cadet se reserva el derecho a cambiar o mejorar el diseño de cualquier Producto Cub Cadet sin asumir ningún tipo de obligación de modificar ningún producto fabricado previamente.

No se otorgan garantías implícitas, incluidas las garantías implícitas de comerciabilidad o de adecuación para un propósito determinado, después del período de garantía escrita expresa aplicable anteriormente mencionado para las piezas identificadas. Cub Cadet no se verá comprometido por ninguna otra garantía expresa, oral o escrita sobre un producto, excepto la mencionada anteriormente, extendida por personas físicas o personas jurídicas, incluidos los distribuidores o los minoristas. Durante el plazo de la garantía el único recurso es la reparación o el reemplazo del producto como se indicó anteriormente. (Algunos estados no permiten las limitaciones a la duración de las garantías implícitas por lo que la limitación antes mencionada puede no serle de aplicación.)

Las disposiciones incluidas en esta garantía proveen el recurso único y exclusivo que surge de las ventas. Cub Cadet no será responsable por pérdidas o daños incidentales o directos, incluyendo sin límites los gastos incurridos para los servicios de cuidado del pasto de reemplazo o cambio, los gastos de transporte o los gastos relacionados, o los gastos de alquiler para reemplazar de manera transitoria un producto bajo garantía. (Algunos estados no permiten las limitaciones a la duración de las garantías implícitas por lo que la limitación antes mencionada puede no serle de aplicación.)

GARANTÍA

En ningún caso se obtendrá una compensación mayor al monto del precio de compra del producto adquirido. La alteración de las características de seguridad del producto anulará esta garantía. Usted asume el riesgo y la responsabilidad por las pérdidas, daños o lesiones que sufra Usted y sus bienes y / o otras personas y sus bienes como consecuencia del uso, del uso incorrecto o de la imposibilidad de uso de este producto.

Esta garantía limitada alcanza solamente al comprador original, al arrendatario original o a la persona que recibió el producto de regalo.

Relación de la ley estadual con esta garantía: Esta garantía le otorga derechos legales específicos, pero usted podría gozar de otros derechos que varían en cada estado.

Para ubicar su distribuidor de servicio más cercano, marque **1-877-282-8684** en los Estados Unidos o **1-800-668-1238** en Canadá.

CUB CADET LLC

P.O. Box 361131
Cleveland, OH 44136-0019

