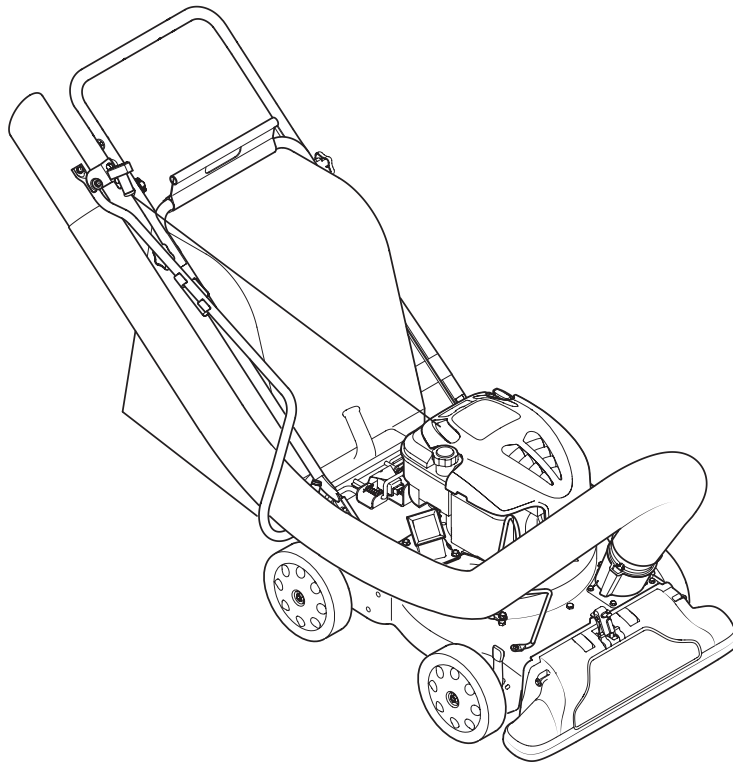




OPERATOR'S MANUAL



Yard Vacuum/Chipper/Shredder with Vacuum/Hose Model CSV 060

⚠ WARNING

**READ AND FOLLOW ALL SAFETY RULES AND INSTRUCTIONS IN THIS MANUAL
BEFORE ATTEMPTING TO OPERATE THIS MACHINE.
FAILURE TO COMPLY WITH THESE INSTRUCTIONS MAY RESULT IN PERSONAL INJURY.**

NOTE: This Operator's Manual covers several models. Features may vary by model. Not all features in this manual are applicable to all models and the model depicted may differ from yours.

TROY-BILT LLC, P.O. BOX 361131 CLEVELAND, OHIO 44136-0019



Form No. 769-11670
(May 20, 2016)

Thank You

Thank you for purchasing this product. It was carefully engineered to provide excellent performance when properly operated and maintained.

Please read this entire manual prior to operating the equipment. It instructs you how to safely and easily set up, operate and maintain your machine. Please be sure that you, and any other persons who will operate the machine, carefully follow the recommended safety practices at all times. Failure to do so could result in personal injury or property damage.

All information in this manual is relative to the most recent product information available at the time of printing. Review this manual frequently to familiarize yourself with the machine, its features and operation. Please be aware that this Operator's Manual may cover a range of product specifications for various models. Characteristics and features discussed and/or illustrated in this manual may not be applicable to all models. We reserve the right to change product specifications, designs and equipment without notice and without incurring obligation.

If applicable, the power testing information used to establish the power rating of the engine equipped on this machine can be found at www.opei.org or the engine manufacturer's web site.

If you have any problems or questions concerning the machine, phone a authorized Troy-Bilt service dealer or contact us directly. Troy-Bilt's Customer Support telephone numbers, website address and mailing address can be found on this page. We want to ensure your complete satisfaction at all times.

Throughout this manual, all references to *right* and *left* side of the machine are observed from the operating position.

The engine manufacturer is responsible for all engine-related issues with regards to performance, power-rating, specifications, warranty and service. Please refer to the engine manufacturer's Owner's/Operator's Manual, packed separately with your machine, for more information.

Table of Contents

Safe Operation Practices	3	Troubleshooting	11
Assembly & Set-Up	5	Replacement Parts	12
Controls & Operation	7	Warranty	14
Service	9		

Record Product Information

Before setting up and operating your new equipment, please locate the model plate on the equipment and record the information in the provided area to the right. You can locate the model plate by standing at the operator's position and looking down at the rear of the deck. This information will be necessary, should you seek technical support via our web site, Customer Support Department, or with a local authorized service dealer.

MODEL NUMBER

--	--	--	--	--	--	--	--	--	--	--	--

SERIAL NUMBER

--	--	--	--	--	--	--	--	--	--	--	--

Customer Support

Please do NOT return the machine to the retailer or dealer without first contacting the Customer Support Department.

If you have difficulty assembling this product or have any questions regarding the controls, operation, or maintenance of this machine, you can seek help from the experts. Choose from the options below:

- ◇ web: www.troybilt.com
- ◇ phone: (800) 828-5500 or (330) 558-7220
- ◇ Write to Troy-Bilt LLC • P.O. Box 361131 • Cleveland, OH • 44136-0019



WARNING: This symbol points out important safety instructions which, if not followed, could endanger the personal safety and/or property of yourself and others. Read and follow all instructions in this manual before attempting to operate this machine. Failure to comply with these instructions may result in personal injury. When you see this symbol - **HEED ITS WARNING!**

CALIFORNIA PROPOSITION 65



WARNING: Engine Exhaust, some of its constituents, and certain vehicle components contain or emit chemicals known to State of California to cause cancer and birth defects or other reproductive harm.



DANGER: This machine was built to be operated according to the safe operation practices in this manual. As with any type of power equipment, carelessness or error on the part of the operator can result in serious injury. This machine is capable of amputating fingers, hands, toes and feet and throwing debris. Failure to observe the following safety instructions could result in serious injury or death.

Training

1. Read, understand, and follow all instructions on the machine and in the manual(s) before attempting to assemble and operate. Keep this manual in a safe place for future and regular reference and for ordering replacement parts.
2. Be familiar with all controls and their proper operation. Know how to stop the machine and disengage them quickly.
3. Never allow children under 16 years of age to operate this machine. Children 16 and over should read and understand the instructions and safe operation practices in this manual and on the machine and be trained and supervised by an adult.
4. Never allow adults to operate this machine without proper instruction.
5. Keep bystanders, pets, and children at least 75 feet from the machine while it is in operation. Stop machine if anyone enters the area.
6. Never run an engine indoors or in a poorly ventilated area. Engine exhaust contains carbon monoxide, an odorless and deadly gas.
7. Do not put hands and feet near rotating parts or in the feeding chambers and discharge opening. Contact with the rotating impeller can amputate fingers, hands, and feet.
8. Never attempt to unclog either the feed intake or discharge opening, remove or empty bag, or inspect and repair the machine while the engine is running. Shut the engine off and wait until all moving parts have come to a complete stop. Disconnect the spark plug wire and ground it against the engine.

Preparation

1. Thoroughly inspect the area where the equipment is to be used. Remove all rocks, bottles, cans, or other foreign objects which could be picked up or thrown and cause personal injury or damage to the machine.
2. Always wear safety glasses or safety goggles during operation and while performing an adjustment or repair, to protect your eyes. Thrown objects which ricochet can cause serious injury to the eyes.
3. Wear sturdy, rough-soled work shoes and close-fitting slacks and shirts. Loose fitting clothes or jewelry can be caught in movable parts. Never operate this machine in bare feet or sandals. Wear leather work gloves when feeding material in the chipper chute.
4. Before starting, check all bolts and screws for proper tightness to be sure the machine is in safe working condition. Also, visually inspect machine for any damage at frequent intervals.
5. Maintain or replace safety and instructions labels, as necessary.

Safe Handling of Gasoline:

To avoid personal injury or property damage use extreme care in handling gasoline. Gasoline is extremely flammable and the vapors are explosive. Serious personal injury can occur when gasoline is spilled on yourself or your clothes which can ignite. Wash your skin and change clothes immediately.

1. Use only an approved gasoline container.
2. Never fill containers inside a vehicle or on a truck or trailer bed with a plastic liner. Always place containers on the ground away from your vehicle before filling.
3. When practical, remove gas-powered equipment from the truck or trailer and refuel it on the ground. If this is not possible, then refuel such equipment on a trailer with a portable container, rather than from a gasoline dispenser nozzle.
4. Keep the nozzle in contact with the rim of the fuel tank or container opening at all times until fueling is complete. Do not use a nozzle lock-open device.
5. Extinguish all cigarettes, cigars, pipes and other sources of ignition.
6. Never fuel machine indoors.
7. Never remove gas cap or add fuel while the engine is hot or running. Allow engine to cool at least two minutes before refueling.
8. Never over fill fuel tank. Fill tank to no more than 1/2 inch below bottom of filler neck to allow space for fuel expansion.
9. Replace gasoline cap and tighten securely.
10. If gasoline is spilled, wipe it off the engine and equipment. Move unit to another area. Wait 5 minutes before starting the engine.
11. To reduce fire hazards, keep machine free of grass, leaves, or other debris build-up. Clean up oil or fuel spillage and remove any fuel soaked debris.
12. Never store the machine or fuel container inside where there is an open flame, spark or pilot light as on a water heater, space heater, furnace, clothes dryer or other gas appliances.

Operation

1. Do not put hands and feet near rotating parts or in the feeding chambers and discharge opening. Contact with the rotating impeller can amputate fingers, hands, and feet.
2. Before starting the machine, make sure the chipper chute, feed intake, and cutting chamber are empty and free of all debris.
3. Thoroughly inspect all material to be shredded and remove any metal, rocks, bottles, cans, or other foreign objects which could cause personal injury or damage to the machine.

4. If the impeller strikes a foreign object or if your machine should start making an unusual noise or vibration, immediately shut the engine off. Allow the impeller to come to a complete stop. Disconnect the spark plug wire, ground it against the engine and perform the following steps:
 - a. Inspect for damage.
 - b. Repair or replace any damaged parts.
 - c. Check for any loose parts and tighten to assure continued safe operation.
5. Do not allow an accumulation of processed material to build up in the discharge area. This can prevent proper discharge and result in kickback of material through the feed opening.
6. Do not attempt to shred or chip material larger than specified on the machine or in this manual. Personal injury or machine damage could result.
7. Never attempt to unclog either the feed intake or discharge opening while the engine is running. Shut the engine off, wait until all moving parts have stopped, disconnect the spark plug wire and ground it against the engine before clearing debris.
8. Never operate without vacuum bag and discharge chute properly attached to the machine. Never empty or change vacuum bag while the engine is running. Vacuum bag must be kept closed at all times during operation.
9. Never operate without either the inlet nozzle or optional hose attachment (if applicable) properly attached to the machine. Never attempt to attach or change either attachment while the engine is running.
10. Keep all guards, deflectors and safety devices in place and operating properly.
11. Keep your face and body back and to the side of the chipper chute while feeding material into the machine to avoid accidental kickback injuries.
12. Never operate this machine without good visibility or light. Always be sure of your footing and keep a firm hold on the handles.
13. Do not operate this machine on a paved, gravel or non-level surface.
14. Do not operate this machine while under the influence of alcohol or drugs.
15. Muffler and engine become hot and can cause a burn. Do not touch.
16. Never pick up or carry machine while the engine is running.
17. If situations occur which are not covered in this manual, use care and good judgement. Contact Customer Support for assistance and the name of the nearest service dealer.

Maintenance & Storage

- Never tamper with safety devices. Check their proper operation regularly.
- Check bolts and screws for proper tightness at frequent intervals to keep the machine in safe working condition. Also, visually inspect machine for any damage and repair, if needed.
- Before cleaning, repairing, or inspecting, stop the engine and make certain the impeller and all moving parts have stopped. Disconnect the spark plug wire and ground it against the engine to prevent unintended starting.
- Do not change the engine governor settings or overspeed the engine. The governor controls the maximum safe operating speed of the engine.
- Maintain or replace safety and instruction labels, as necessary.
- Follow this manual for safe loading, unloading, transporting, and storage of this machine.
- Never store the machine or fuel container inside where there is an open flame, spark or pilot light such as a water heater, furnace, clothes dryer, etc.
- Allow machine to cool at least 5 minutes before storing.

- Always refer to the operator's manual for proper instructions on off-season storage.
- If the fuel tank has to be drained, do this outdoors.
- Observe proper disposal laws and regulations for gas, oil, etc. to protect the environment.
- According to the Consumer Products Safety Commission (CPSC) and the U.S. Environmental Protection Agency (EPA), this product has an *Average Useful Life* of seven (7) years, or 60 hours of operation. At the end of the *Average Useful Life* have the machine inspected annually by an authorized service dealer to ensure that all mechanical and safety systems are working properly and not worn excessively. Failure to do so can result in accidents, injuries or death.

Do not modify engine

To avoid serious injury or death, do not modify engine in any way. Tampering with the governor setting can lead to a runaway engine and cause it to operate at unsafe speeds. Never tamper with factory setting of engine governor.

Notice Regarding Emissions

Engines which are certified to comply with California and federal EPA emission regulations for SORE (Small Off Road Equipment) are certified to operate on regular unleaded gasoline, and may include the following emission control systems: Engine Modification (EM), Oxidizing Catalyst (OC), Secondary Air Injection (SAI) and Three Way Catalyst (TWC) if so equipped.

Spark Arrestor



WARNING: This machine is equipped with an internal combustion engine and should not be used on or near any unimproved forest-covered, brushcovered or grass-covered land unless the engine's exhaust system is equipped with a spark arrestor meeting applicable local or state laws (if any).

If a spark arrestor is used, it should be maintained in effective working order by the operator. In the State of California the above is required by law (Section 4442 of the California Public Resources Code). Other states may have similar laws. Federal laws apply on federal lands.

A spark arrestor for the muffler is available through your nearest engine authorized service dealer or contact the service department, P.O. Box 361131 Cleveland, Ohio 44136-0019.

Safety Symbols

This page depicts and describes safety symbols that may appear on this product. Read, understand, and follow all instructions on the machine before attempting to assemble and operate.

Symbol	Description
	READ THE OPERATOR'S MANUAL(S) Read, understand, and follow all instructions in the manual(s) before attempting to assemble and operate.
	WARNING— ROTATING BLADES Keep hands out of inlet and discharge openings while machine is running. There are rotating blades inside.
	BYSTANDERS Keep bystanders, pets, and children at least 75 feet from the machine while it is in operation. Stop machine if anyone enters the area.
	WARNING— THROWN OBJECTS This machine may pick up and throw and objects which can ricochet.
	EYE PROTECTION Always wear safety glasses or safety goggles when operating this machine.
	WARNING— GASOLINE IS FLAMMABLE Allow the engine to cool at least two minutes before refueling.
	WARNING— CARBON MONOXIDE Never run an engine indoors or in a poorly ventilated area. Engine exhaust contains carbon monoxide, an odorless and deadly gas.



WARNING: Your Responsibility—Restrict the use of this power machine to persons who read, understand and follow the warnings and instructions in this manual and on the machine.

SAVE THESE INSTRUCTIONS!

Contents of Carton

- Chipper/Shredder Vacuum (1)
- Upper and Lower Handle (1)
- Bag (1)
- Operator's Manual (1)
- Hose Assembly (1)
- Bottle of Oil (1)
- Engine Operator's Manual (1)
- Safety Glasses (1)
- Hose Extension (1)

Assembly

NOTE: This unit is shipped without gasoline or oil in the engine. Fill up gasoline and oil as instructed in the accompanying engine manual BEFORE operating your chipper shredder vacuum.

Handle

1. Remove the hairpin clips from the handle brackets and the carriage screws and wing nuts from the lower handle.
 - a. Place the bottom holes in lower handle over the pins on the handle brackets with notch in handle pointing downwards and secure with hairpin clips. See Figure 3-1.

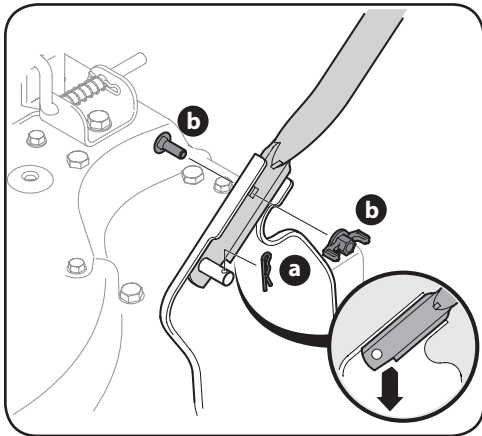


Figure 3-1

- b. Insert carriage screws through upper hole in lower handle from the inside and secure with wing nuts. See Figure 3-1.

2. Unfold the upper handle until it aligns with lower handle. Make sure the rope guide is on the right side of upper handle. See A in Figure 3-2.

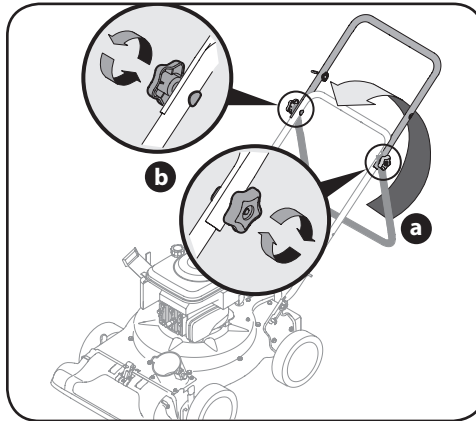


Figure 3-2

3. Secure the two handles by tightening the star knobs (carriage bolts must be seated properly into the handle). See B in Figure 3-2.
4. Loosen the wing nut that secures the rope guide to the right side of the upper handle.
 - a. Slowly pull starter rope out of engine.
 - b. Slip the starter rope into the rope guide. See Figure 3-3.

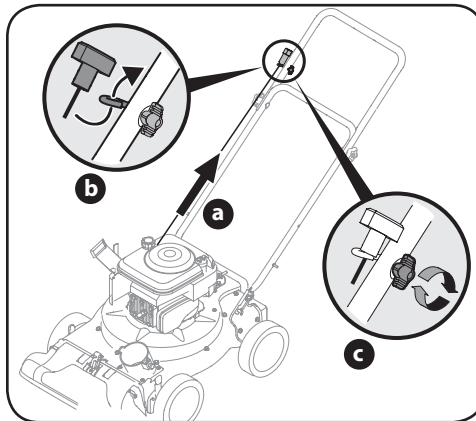


Figure 3-3

- c. Tighten the wing nut.

Hose Assembly

1. Slide hose adapter of hose assembly into the base adapter located on the left front of the chipper shredder vacuum. See A in Figure 3-4.

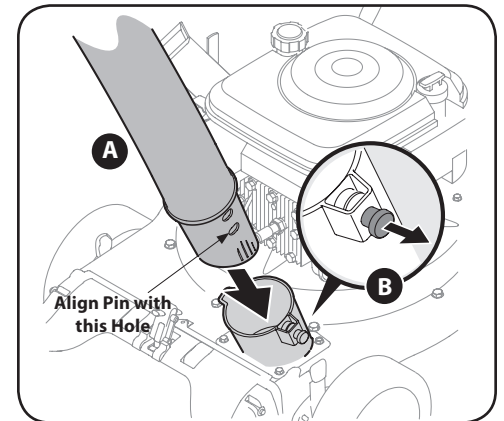


Figure 3-4

2. Pull spring loaded pin out on the base and align pin with the first hole (closest to the end of the tube) in the hose adapter. See B in Figure 3-4.
3. Release the pin to lock the hose in place.
4. Lay hose tubing in curved end of hose handle next to chipper chute and into hose cradle (if applicable). See A and B in Figure 3-5.

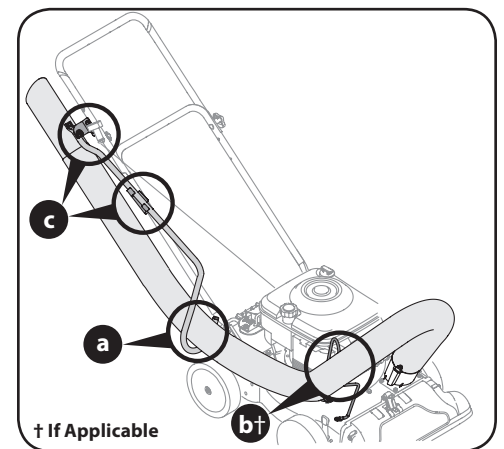


Figure 3-5

3. Snap the hose handle first into the upper hose handle bracket and then into the lower hose handle bracket. See C in Figure 3-5.

Bag

1. Grasp bag handle with one hand and slide locking rod on mounting bracket with other hand toward engine. Use the end of mounting bracket as leverage when sliding the locking rod. See Figure 3-6.

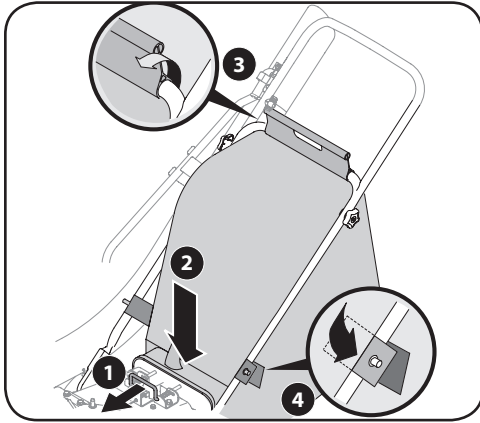


Figure 3-6

2. Slip bag over the rim of the discharge opening and release locking rod to secure bag in place.
3. Snap bag clip to the top of the lower handle.
4. Place the lower straps on the bag over the top of lower handle, hooking them on the studs. See Figure 3-6.

NOTE: The bag/chute switch button attached to the mounting bracket must be fully depressed by the tip of front tab on bag handle when securing the bag or engine will not start.

Adjustments

Nozzle Height

The nozzle can be adjusted to any six positions, ranging from 5/8" to 4 1/8" ground clearance. The nozzle height has to be adjusted according to chipper shredder conditions.

5. Depress nozzle height adjustment lever towards wheel. See Figure 3-7.

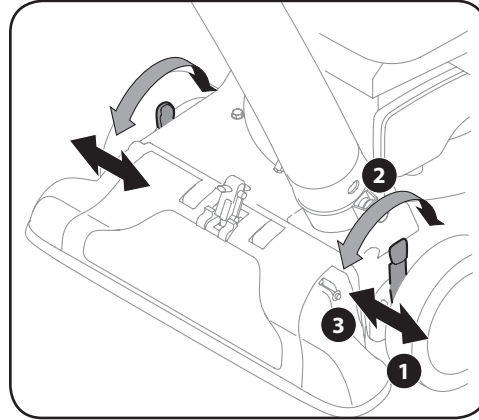


Figure 3-7

1. Move the height adjustment lever forward or backward to adjust the nozzle upwards or downwards. Make sure both levers are in the same position.
2. Release lever towards deck. See Figure 3-7.

NOTE: In general, raise the nozzle height to vacuum a thick layer of leaves. Lower the nozzle height for smoother surfaces.

Set-Up

Gas and Oil Fill-Up

Refer to the separate engine owner's manual for additional engine information.

1. Add oil provided before starting unit for the first time out of the box.
2. Service the engine with gasoline as instructed in the separate engine owner's manual.



WARNING: Use extreme care when handling gasoline. Gasoline is extremely flammable and the vapors are explosive. Never fuel the machine indoors or while the engine is hot or running. Extinguish cigarettes, cigars, pipes and other sources of ignition.



WARNING: Never fill fuel tank indoors with engine running or until the engine has been allowed to cool for at least two minutes after running.

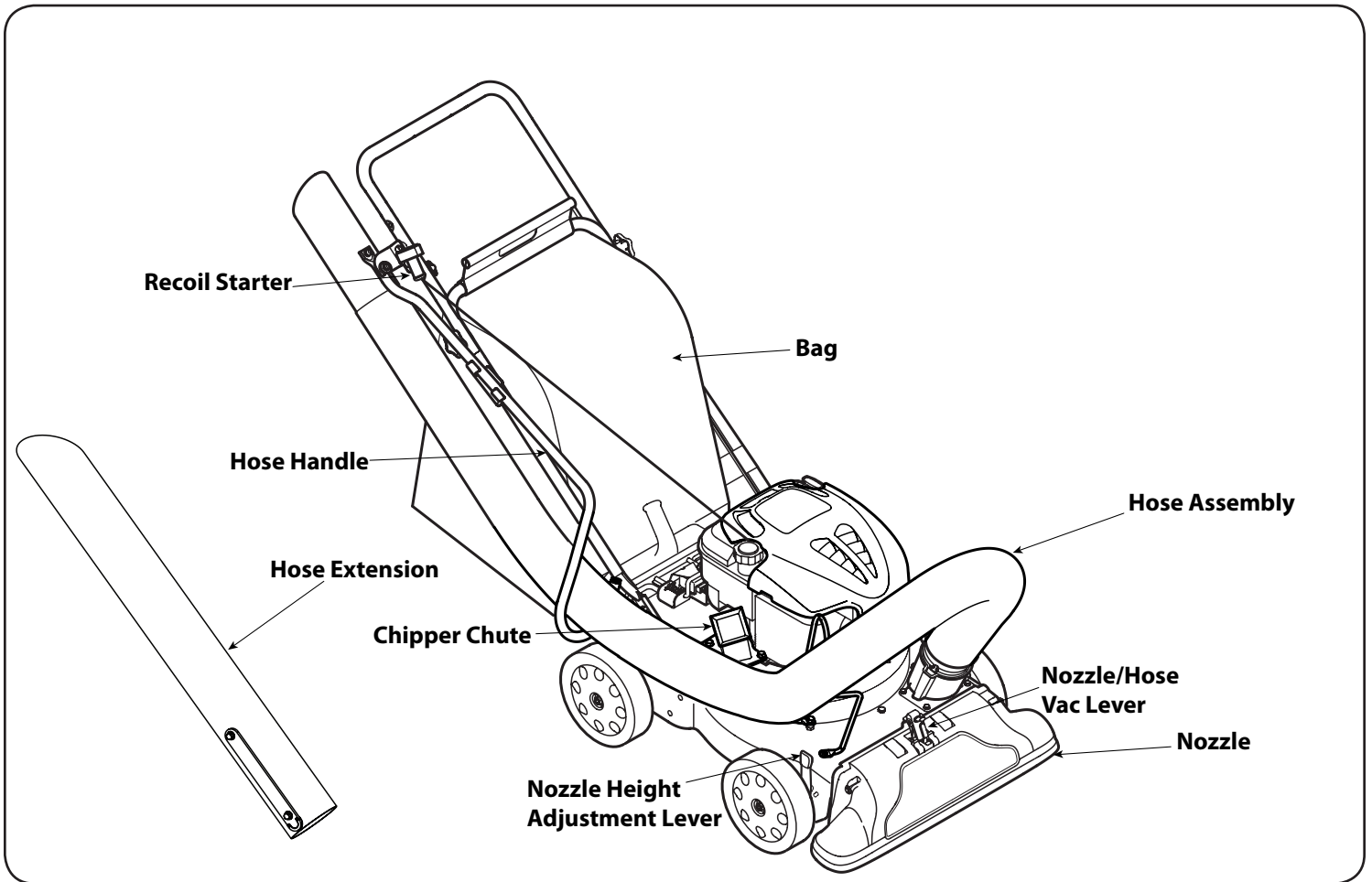


Figure 4-1

Controls



WARNING: The operation of any chipper shredder can result in foreign objects being thrown into the eyes, which can damage your eyes severely. Always wear the safety glasses provided with this unit or eye shields while operating or while performing any adjustments or repairs.

Chipper Chute

Allows twigs and small branches up to 1-1/2" in diameter to be fed into the impeller for chipping.

Nozzle Height Adjustment Lever

Used to adjust the nozzle ground clearance ranging approximately 5/8" to 4 1/8".

Nozzle

Yard waste such as leaves or pine needles can be vacuumed up through the nozzle for shredding.

Hose Assembly

Used as an alternative to the nozzle to vacuum yard waste such as leaves or pine needles.

Hose Extension

Used to vacuum yard waste in hard to reach places of yard.

Nozzle/ Hose Vac Lever

The nozzle/hose vac handle is located on top of the nozzle. Use it to switch vacuum suction between the nozzle and the hose assembly.

Hose Handle

Used to guide hose assembly when vacuuming.

Recoil Starter

The recoil starter is attached to the right upper handle. Stand behind unit and pull the recoil starter to start engine.

Operation

Starting & Stopping Engine

Refer to the Engine Operator's manual packed with your chipper/shredder vacuum for instructions on starting and stopping the engine.

To Empty Bag

1. Unhook bag straps from the lower handle.
2. Unsnap bag clip from the top of lower handle. See Figure 4-2.

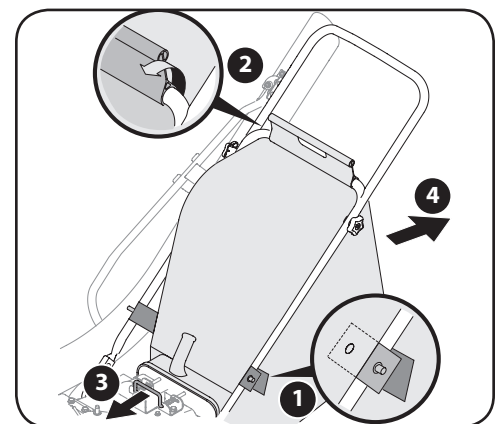


Figure 4-2

3. Grasp bag handle with one hand and pull lock rod on mounting bracket with other hand toward engine to release.
4. Lift bag off back of unit.
5. Twist the two buttons on the back of the bag to unlock and empty contents. See Figure 4-3. Hold bag handle and bag clip while emptying the contents.

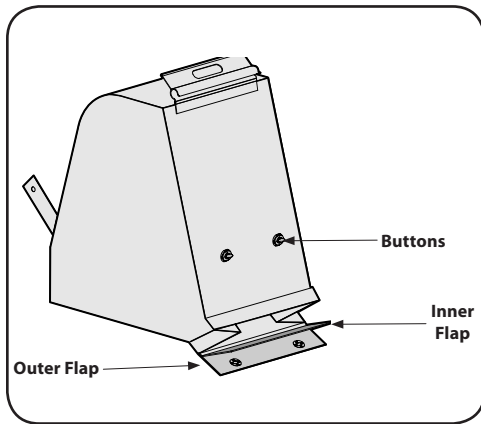


Figure 4-3

6. Compress bag opening and fold inner flap over opening.
7. Fold outer flap over inner flap and insert buttons on the bag through metal outlets. See Figure 4-3.
8. Twist the buttons to lock bag. Place bag back onto unit as instructed in Assembly & Set-Up.



WARNING: Do not at any time make any adjustments without first stopping engine and disconnecting spark plug wire.

Using The Nozzle Vacuum

Yard waste such as leaves and pine needles can be vacuumed up through the nozzle for shredding. After material has been shredded by the flail blades on the impeller assembly, it will be discharged into catcher bag. Do not attempt to shred or chip any material other than vegetation found in a normal yard (i.e. branches, leaves, twigs, etc.) Avoid fibrous plants such as tomato vines until they are thoroughly dried out. Materials such as stalks or heavy branches up to 1 1/2" in diameter may be fed into the chipper chute.

1. Place nozzle/hose vac lever in the top position on the nozzle to vacuum through nozzle. See Figure 4-4.

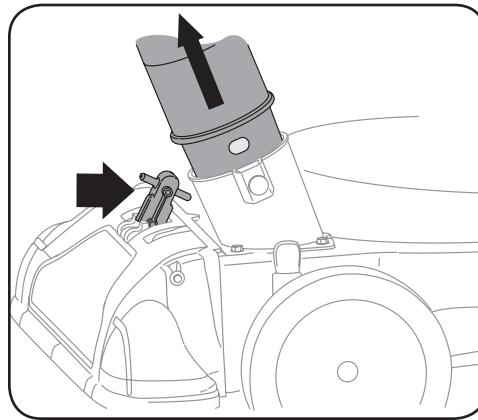


Figure 4-4

2. The spring loaded pin must be in the first hole (closest to the end of the tube) of the hose adapter to operate the nozzle vac. See Figure 4-4.
3. Place both hands on top of upper handle to push unit over yard waste.



WARNING: Do not attempt to shred, chip, or vacuum any material larger than specified on the machine or in this manual. Personal injury or damage to the machine could result.

IMPORTANT: The flail screen is located inside the housing in the discharge area. If the flail screen becomes clogged, remove and clean as instructed in Maintenance & Adjustments. For best performance, it is also important to keep the chipper blade sharp.

Using The Hose Assembly

1. Place nozzle/hose vac lever in the bottom position on the nozzle to redirect vacuum to the hose assembly. See Figure 4-5.

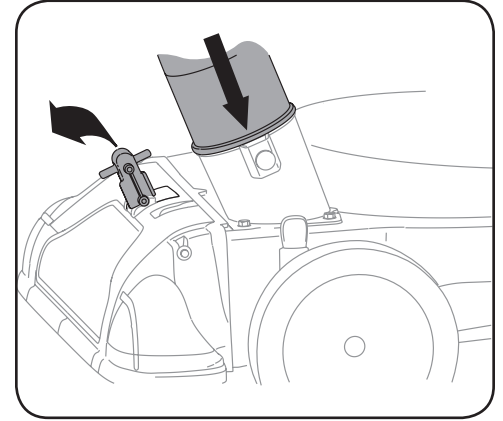


Figure 4-5

2. The spring loaded pin must be in the second hole of the hose adapter to operate the hose assembly. See Figure 4-5.
3. Unhook the hose from upper and lower hose handle brackets and grasp the hose handle to guide the hose while vacuuming yard waste such as leaves or pine needles.
4. If necessary, attach the hose extension to vacuum in hard to reach places as follows:
 - a. Insert round end of hose extension into end of hose assembly.
 - b. Secure strap on hose extension to pin on hose assembly. See Figure 4-6.

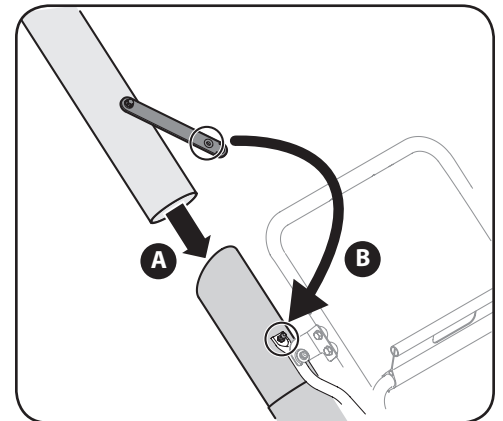


Figure 4-6

Maintenance

General Recommendations

- Always observe safety rules when performing any maintenance.
- The warranty on this chipper/shredder vacuum does not cover items that have been subjected to operator abuse or negligence. To receive full value from warranty, operator must maintain the equipment as instructed here.
- Changing of engine-governed speed will void engine warranty.
- All adjustments should be checked at least once each season.
- Periodically check all fasteners and make sure these are tight.



WARNING: Always stop engine, disconnect spark plug, and ground against engine before performing any type of maintenance on your machine.

Lubrication

1. Lubricate each wheel shoulder screw (rear wheel) and pivot arm axle (front wheel) once per season with light oil.
2. Lubricate the pivot points of the nozzle height adjustment levers once a season with light oil.
3. Lubricate the locking rod with light oil to ease the application of attaching on or removing bag.
4. Lubricate the nozzle/hose vac lever on top of the nozzle once a season with light oil. See Figure 5-1.

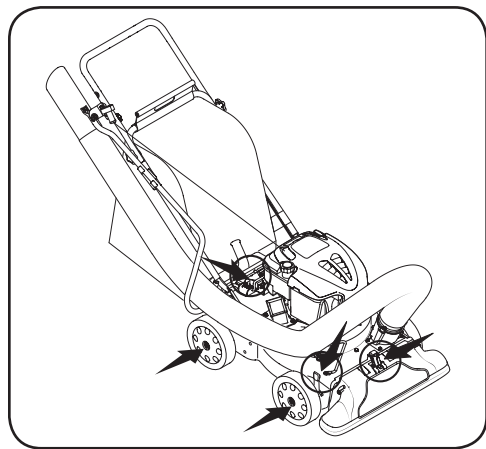


Figure 5-1

5. Follow the separate engine manual packed with your unit for lubrication instructions.

Equipment Care

- Clean the chipper/shredder vacuum thoroughly after each use.
 - Wash bag periodically with water. Allow to dry thoroughly in shade.
 - If the flail screen becomes clogged, remove and clean as instructed below.
- NOTE:** Cleaning with a forceful spray of water is not recommended as it could contaminate the fuel system.

Engine Care

Refer to the Engine Operator's Manual packed with your chipper/shredder vacuum for all engine maintenance.



WARNING: Before performing any type of maintenance on the machine, wait for all parts to stop moving and disconnect the spark plug wire. Failure to follow this instruction could result in personal injury or property damage.

Removing the Flail Screen

If the discharge area becomes clogged, remove the flail screen and clean area as follows:

1. Stop the engine. Make certain the chipper/shredder vacuum has come to a complete stop.
2. Before unclogging the discharge chute, disconnect and ground the spark plug wire to retaining post.
3. Remove the vacuum bag from the unit as instructed in the OPERATION section to obtain access to flail screen.
4. Remove self tapping screw (a) on right side of unit that attaches to the flail screen. See Figure 5-2.

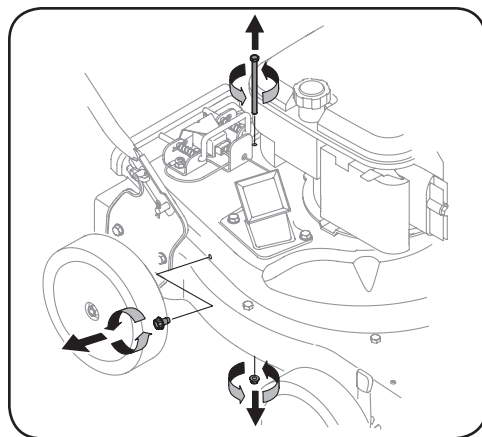


Figure 5-2

5. Remove hex screw (b) on top of rear housing near mounting bracket and the flange lock nut (c) that secures flail screen. See Figure 5-2.

6. Remove and clean the screen by scraping or washing with water. See Figure 5-3.

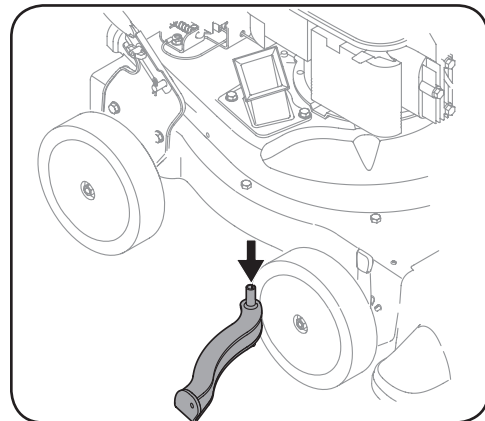


Figure 5-3

7. Reinstall the screen.

Service

Blade Care



WARNING: Before performing any type of maintenance on the machine, wait for all parts to stop moving and disconnect the spark plug wire. Failure to follow this

instruction could result in personal injury or property damage.

NOTE: When tipping the unit, empty the oil and fuel tank and keep engine spark plug side up.

6. Disconnect and ground the spark plug wire to retaining post.
7. Remove bag assembly or blower chute.
8. Remove the three hex cap screws holding the chipper chute to the upper housing. See Figure 5-4.

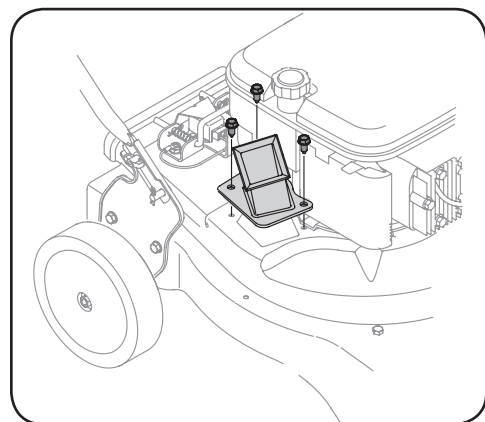


Figure 5-4

- Remove the flange lock nuts (a), front wheels, and wave washers (b) that attach to the pivot arm assemblies. See Figure 5-5.

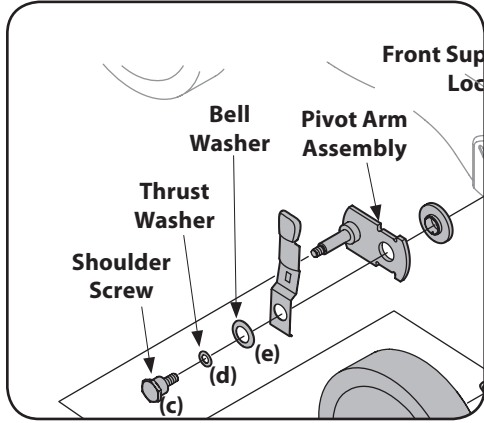


Figure 5-5

- Remove the shoulder screws (c), thrust washers (d), and bell washers (e) that go through the pivot arms to the front support brace. The front support brace and lock nut can be removed at this time as well.
- Remove the four screws (a) on the upper housing that secure the nozzle cover. See Figure 5-6.

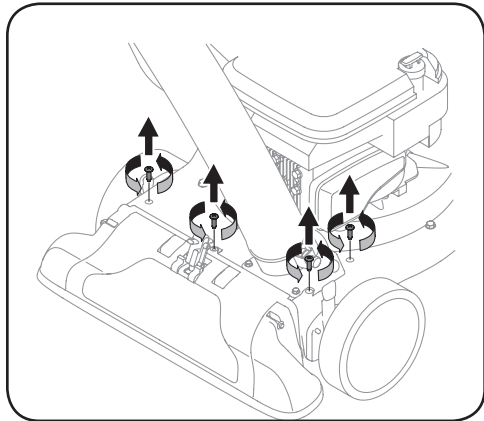


Figure 5-6

- Carefully tilt and support the unit up to provide access underneath to the nozzle mounting hardware and impeller. Remove the three shoulder bolts (a) securing the black plastic lower flail housing to the lower housing. Refer to Figure 5-7.

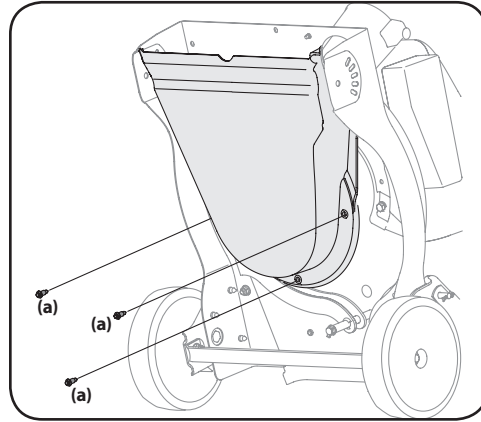


Figure 5-7

- Tilt top of black plastic lower flail housing toward the engine to remove.
- Using a 3/16" allen wrench, remove the flat head cap screws (a) that hold the chipper blade to the impeller. These screws are accessible through the opening created when the chipper chute was removed earlier. See Figure 5-8.

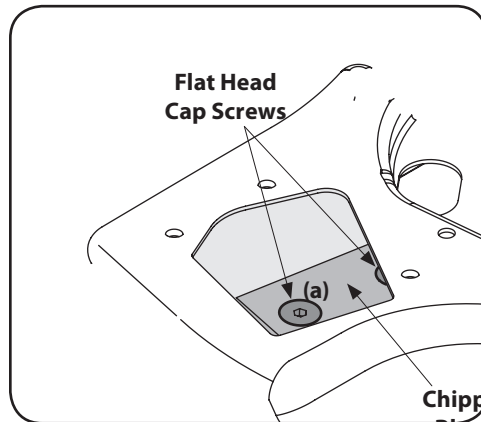


Figure 5-8

- The nuts (a) on the flat head cap screws can be reached from underneath using a 1/2-inch socket, universal, and extension. See Figure 5-9.

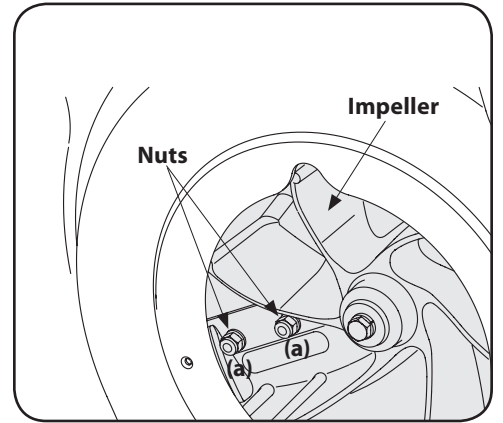


Figure 5-9

- Replace or sharpen chipper blade. The blade can be sharpened with a file or on a grinding wheel.



WARNING: The chipper blade is sharp. When sharpening blade, wear leather work gloves to protect your hands and follow the original angle of grind.

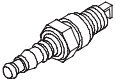



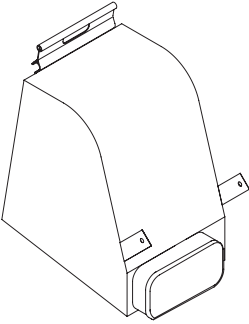
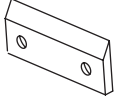
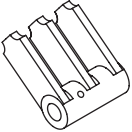

- Reassemble by performing the previous steps in the opposite order and manner of removal.

NOTE: Tighten blade screws to 210 - 250 in-lbs. Make certain chipper blade is reassembled with the sharp edge facing upward.

Off-Season Storage

- When storing the chipper/shredder vacuum in an unventilated or metal storage shed, care should be taken to rustproof the non-painted surfaces. Using a light oil or silicone, coat the equipment, especially any springs, bearings, and cables.
- Remove all dirt from exterior of engine and equipment.
- Follow lubrication recommendations.
- Refer to engine manual for correct engine storage instructions.
- Store equipment in a clean, dry area. Do not store in an area where equipment is present that may use a pilot light or has a component that can create a spark.

Problem	Cause	Remedy
Engine Fails to start	<ol style="list-style-type: none"> 1. Throttle lever (if equipped) not in correct starting position. 2. Engine switch (if equipped) in OFF position. 3. Spark plug wire disconnected. 4. Choke not in CHOKE position (if equipped). 5. Fuel tank empty or stale fuel. 6. Fuel shut-off valve closed (if equipped). 7. Faulty spark plug. 8. Bag/chute switch button is not fully depressed. 	<ol style="list-style-type: none"> 1. Move throttle lever to FAST or START position. 2. Move engine switch to ON position. 3. Connect wire to spark plug. 4. Move choke lever to CHOKE position. 5. Fill tank with clean, fresh gasoline. 6. Turn ON fuel shut-off valve. 7. Clean, adjust gap, or replace. 8. Make certain the bag is correctly secured, and the bag/chute switch button is fully depressed.
Engine runs erratic	<ol style="list-style-type: none"> 1. Spark plug boot loose. 2. Unit running on CHOKE (if equipped). 3. Blocked fuel line or stale fuel. 4. Low engine RPM. 5. Water or dirt in fuel system. 6. Dirty air cleaner. 7. Carburetor out of adjustment. 	<ol style="list-style-type: none"> 1. Connect and tighten spark plug boot. 2. Move choke lever to OFF position. 3. Clean fuel line; fill tank with clean, fresh gasoline. 4. Always run engine at full throttle. 5. Drain fuel tank. Refill with fresh fuel. 6. Refer to Engine Manual. 7. See authorized service dealer.
Engine overheats	<ol style="list-style-type: none"> 1. Engine oil level low. 2. Dirty air cleaner. 	<ol style="list-style-type: none"> 1. Fill crankcase with proper oil. 2. Refer to Engine Manual.
Occasional skips (hesitates) at high speed	<ol style="list-style-type: none"> 1. Spark plug gap too close. 2. Carburetor idle mixture adjustment improperly set. 	<ol style="list-style-type: none"> 1. Remove spark plug and adjust gap to .030". 2. See authorized service dealer.
Excessive vibration	<ol style="list-style-type: none"> 1. Loose parts or damaged impeller. 	<ol style="list-style-type: none"> 2. See authorized service dealer.
Unit does not discharge	<ol style="list-style-type: none"> 1. Discharge area clogged. 2. Foreign object lodged in impeller. 3. Low engine RPM. 4. Vacuum bag is full. 	<ol style="list-style-type: none"> 1. Stop engine immediately and disconnect spark plug wire. Clean flail screen and inside of discharge opening. 2. Stop engine and disconnect spark plug wire. Remove lodged object. 3. Always run engine at full throttle. 4. Empty bag.
Rate of discharge slows considerably or composition of discharged material changes	<ol style="list-style-type: none"> 1. Low engine RPM. 2. Chipper blade dull. 	<ol style="list-style-type: none"> 1. Always run engine at full throttle. 2. Replace chipper blade or see your authorized service dealer.

Component	Part Number and Description
	BS-591868 Spark Plug (Briggs & Stratton) 951-14437 Spark Plug (MTD Engine)
	BS-491588S Air Filter Cartridge (Briggs & Stratton) BS-493537S† Pre-Cleaner (Briggs & Stratton) 951-14632 Air Cleaner Kit (MTD Engine)
	BS-799585 Fuel Cap (Briggs & Stratton) 951-14407 Fuel Cap Assembly (MTD Engine)
	BS-298090S† Fuel Filter (Briggs & Stratton) 951-10358A Fuel Filter (MTD Engine)
	664-04029 Bag
	981-0490 Chipper Blade
	719-0329 Flail Blade (2 total)
	634-05036 Wheel

† If Equipped

MANUFACTURER'S LIMITED WARRANTY FOR



The limited warranty set forth below is given by Troy-Bilt LLC with respect to merchandise purchased and used in the United States and/or its territories and possessions ("Troy-Bilt").

This warranty is in addition to any applicable emissions warranty provided with your product.

Troy-Bilt warrants this product (excluding its *Normal Wear Parts* and *Attachments* as described below) against defects in material and workmanship for a period of two (2) years commencing on the date of original purchase by the first purchaser of such product and will, at its option, repair or replace, free of charge, any part found to be defective in materials or workmanship ("Warranty Period"). This limited warranty shall only apply if this product has been used for non-commercial purposes and has been operated and maintained in accordance with the Operator's Manual furnished with the product, and has not been subject to misuse, abuse, commercial use, neglect, accident, improper maintenance, alteration, vandalism, theft, fire, water, or damage because of other peril or natural disaster. Damage resulting from the installation or use of any part, accessory or attachment not approved by Troy-Bilt for use with the product(s) covered by this manual will void your warranty as to any resulting damage.

Normal Wear Parts are warranted to be free from defects in material and workmanship for a period of thirty (30) days from the original date of purchase. Normal wear parts include, but are not limited to items such as: batteries, belts, blades, blade adapters, tines, grass bags, wheels, rider deck wheels, seats, snow thrower skid shoes, friction wheels, shave plates, auger spiral rubber and tires.

Attachments — Troy-Bilt warrants attachments for this product against defects in material and workmanship for a period of one (1) year, commencing on the date of the attachment's original purchase or lease. Attachments include, but are not limited to items such as: grass collectors and mulch kits.

HOW TO OBTAIN SERVICE: Warranty service is available, WITH PROOF OF PURCHASE, through your local authorized service dealer. Registering your product is not a requirement to obtain warranty service. To locate the dealer in your area, check your Yellow Pages, or contact Troy-Bilt LLC at P.O. Box 361131, Cleveland, Ohio 44136-0019, or call 1-866-840-6483, 1-330-558-7220 or log on to our Web site at www.troybilt.com.

This limited warranty does **not** provide coverage in the following cases:

- a. Log splitter pumps, valves, and cylinders have a separate one-year warranty. Routine maintenance items such as lubricants, filters, blade sharpening, tune-ups, brake adjustments, clutch adjustments, deck adjustments, and normal deterioration of the exterior finish due to use or exposure.
- b. Service completed by someone other than an authorized service dealer.

- c. Troy-Bilt does not extend any warranty for products sold or exported outside of the United States and its respective possessions and territories, except those sold through Troy-Bilt's authorized channels of export distribution.
- d. Replacement parts that are not genuine Troy-Bilt parts.
- e. Transportation charges and service calls.
- f. Troy-Bilt does not warrant this product for commercial use.

No implied warranty, including any implied warranty of merchantability or fitness for a particular purpose, applies after the applicable period of express written warranty above as to the parts as identified. No other express warranty, whether written or oral, except as mentioned above, given by any person or entity, including a dealer or retailer, with respect to any product, shall bind Troy-Bilt. During the period of the warranty, the exclusive remedy is repair or replacement of the product as set forth above.

The provisions as set forth in this warranty provide the sole and exclusive remedy arising from the sale. Troy-Bilt shall not be liable for incidental or consequential loss or damage including, without limitation, expenses incurred for substitute or replacement lawn care services or for rental expenses to temporarily replace a warranted product.

Some states do not allow the exclusion or limitation of incidental or consequential damages, or limitations on how long an implied warranty lasts, so the above exclusions or limitations may not apply to you.

In no event shall recovery of any kind be greater than the amount of the purchase price of the product sold. **Alteration of safety features of the product shall void this warranty.** You assume the risk and liability for loss, damage, or injury to you and your property and/or to others and their property arising out of the misuse or inability to use the product.

This limited warranty extends to the original purchaser (i.e. the first purchaser of a new product) and to a succeeding owner of the product for non-commercial use for the duration of the warranty beginning from the original date of purchase by the first purchaser of such product. In the event that the original date of purchase by the first purchaser of the product is indeterminable, the Warranty Period shall be established as twenty-eight (28) months from the product's date of manufacture, as determined by Troy-Bilt. In no event shall a product's warranty extend beyond the established Warranty Period.

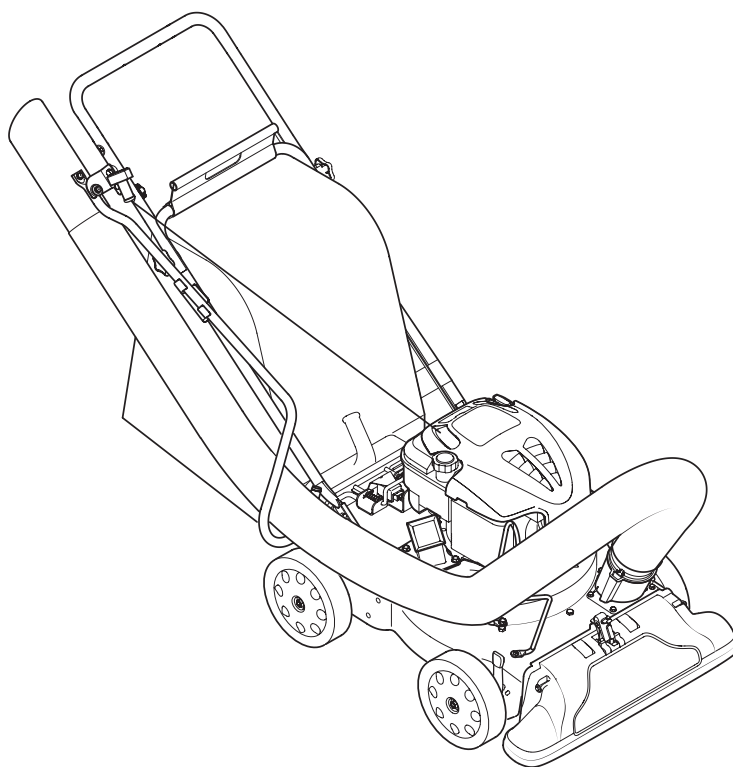
HOW STATE LAW RELATES TO THIS WARRANTY: This limited warranty gives you specific legal rights, and you may also have other rights which vary from state to state.

Troy-Bilt LLC, P.O. BOX 361131 CLEVELAND, OHIO 44136-0019; Phone: 1-866-840-6483, 1-330-558-7220

www.troybilt.com



MANUAL DEL OPERADOR



Aspiradora Para Patios — Modelo CSV 060

⚠ ADVERTENCIA

**LEA Y SIGA TODAS LAS INSTRUCCIONES DE ESTE MANUAL ANTES DE PONER EN FUNCIONAMIENTO ESTA MÁQUINA.
SI NO RESPETA ESTAS INSTRUCCIONES PUEDE PROVOCAR LESIONES PERSONALES.**

NOTA: Este manual de operación cubre distintos modelos. Las características técnicas pueden variar según los modelos. No todas las características técnicas que se incluyen en este manual se aplican a todos los modelos y la máquina que se ilustra aquí puede diferir de la suya.

TROY-BILT LLC, P.O. BOX 361131 CLEVELAND, OHIO 44136-0019

Gracias

Gracias por comprar este producto. La misma ha sido diseñada cuidadosamente para brindar excelente rendimiento si se la opera y mantiene correctamente.

Por favor lea todo este manual antes de operar el equipo. Le indica cómo configurar, operar y mantener la máquina con seguridad y fácilmente. Por favor asegúrese de seguir cuidadosamente y en todo momento las prácticas de seguridad recomendadas, y hacérselas seguir a cualquier otra persona que opere la máquina. En caso de no hacerlo podrían producirse lesiones personales o daños materiales.

Toda la información contenida en este manual hace referencia a la más reciente información de producto disponible en el momento de la impresión. Revise el manual frecuentemente para familiarizarse con la unidad, sus características y funcionamiento. Por favor tenga en cuenta que este Manual del Operador puede cubrir una gama de especificaciones de productos de diferentes modelos. Las características y funciones incluidas y/o ilustradas en este manual pueden no ser aplicables a todos los modelos. Troy-Bilt se reserva el derecho de modificar las especificaciones de los productos, los diseños y el equipo estándar sin previo aviso y sin generar responsabilidad por obligaciones de ningún tipo.

En su caso, los datos de prueba de potencia utilizados para establecer la máxima potencia equipado en esta máquina se pueden encontrar en www.opei.org o sitio web del fabricante del motor.

Si tiene algún problema o duda respecto a la unidad, llame a un distribuidor de servicio Troy-Bilt autorizado o póngase en contacto directamente con nosotros. Los números de teléfono, dirección del sitio web y dirección postal de la Asistencia al Cliente de Troy-Bilt se encuentran en esta página. Queremos garantizar su entera satisfacción en todo momento.

En este manual, las referencias al lado *derecho* o *izquierdo* de la máquina se observan desde la posición del operador.

El fabricante del motor es el responsable de todas las cuestiones relacionadas con el rendimiento, potencia de salida, especificaciones, garantía y mantenimiento del motor. Para obtener mayor información consulte el Manual del Propietario / Operador entregado por el fabricante del motor, que se envía, en un paquete por separado, junto con su unidad.

Índice

Medidas importantes de seguridad	3	Solución de Problemas	11
Montaje y Configuración	5	Piezas de Reemplazo	12
Controles y Funcionamiento	7	Garantía	14
Servicio	9		

Registro de información de producto

Antes de configurar y operar su equipo nuevo, por favor localice la placa del modelo en el equipo y registre la información en el área situada a la derecha. Para encontrar la placa de modelo, colóquese detrás de la unidad en la posición del operador y mire hacia la parte inferior de la sección trasera del chasis. Si tiene que solicitar soporte técnico a través de nuestro sitio web, el Departamento de Asistencia al Cliente, o de un distribuidor de servicio autorizado local, necesitará esta información.

NÚMERO DE MODELO

--	--	--	--	--	--	--	--	--	--	--	--

NÚMERO DE SERIE

--	--	--	--	--	--	--	--	--	--	--	--

Asistencia al Cliente

Por favor, NO devuelva la unidad al minorista o distribuidor sin ponerse en contacto primero con el Departamento de Asistencia al Cliente.

En caso de tener problemas para montar este producto o de tener dudas con respecto a los controles, funcionamiento o mantenimiento del mismo, puede solicitar la ayuda de expertos. Elija entre las opciones que se presentan a continuación:

- ◇ Visite nuestro sitio web en www.troybilt.com
- ◇ Llame a un representante de Asistencia al Cliente al (800) 828-5500 ó (330) 558-7220
- ◇ Escribanos a Troy-Bilt LLC • P.O. Box 361131 • Cleveland, OH • 44136-0019



ADVERTENCIA: La presencia de este símbolo indica que se trata de instrucciones importantes de seguridad que se deben respetar para evitar poner en peligro su seguridad personal y/o material y la de otras personas. Lea y siga todas las instrucciones de este manual antes de poner en funcionamiento esta máquina. Si no respeta estas instrucciones puede provocar lesiones personales. Cuando vea este símbolo - **¡TENGA EN CUENTA LAS ADVERTENCIAS!**



PROPOSICIÓN 65 DE CALIFORNIA

ADVERTENCIA: El escape del motor de este producto, algunos de sus componentes y algunos componentes del vehículo contienen o liberan sustancias químicas que el estado de California considera que pueden producir cáncer, defectos de nacimiento u otros problemas reproductivos.



PELIGRO: Esta máquina está diseñada para ser utilizada respetando las normas de seguridad contenidas en este manual. Al igual que con cualquier tipo de equipo motorizado, un descuido o error por parte del operador puede producir lesiones graves. Esta máquina es capaz de amputar dedos, manos y pies y de arrojar objetos extraños con gran fuerza. De no respetar las instrucciones de seguridad siguientes se pueden producir lesiones graves o la muerte.

Capacitación

1. Lea, entienda y cumpla todas las instrucciones incluidas en la máquina y en los manuales antes de montarla y utilizarla. Guarde este manual en un lugar seguro para consultas futuras y regulares, así como para solicitar repuestos.
2. Familiarícese con todos los controles y su operación adecuada. Sepa cómo detener la máquina y cómo desengranar los controles rápidamente.
3. No permita nunca que los niños menores de 16 años utilicen esta máquina. Los niños de 16 años y más mayores deben leer y comprender las instrucciones de operación y las reglas de seguridad contenidas en este manual, y también deben ser capacitados y estar supervisados por uno de los padres.
4. Nunca permita que los adultos operen esta máquina sin recibir antes la instrucción apropiada.
5. Mantenga a los transeúntes, ayudantes, mascotas y niños al menos a 75 pies de la máquina mientras está operando. Detenga la máquina si alguien entra en la zona.
6. Nunca encienda un motor en espacios cerrados o en una zona con poca ventilación. El escape del motor contiene monóxido de carbono, un gas inodoro y letal.
7. No ponga las manos o los pies cerca de las piezas rotatorias o en las cámaras de alimentación ni en la abertura de descarga. El contacto con el motor rotatorio puede producir la amputación de dedos, manos o pies.
8. Nunca trate de destapar la toma de alimentación o la abertura de descarga, ni trate de sacar o vaciar la bolsa de la aspiradora, ni de revisar y reparar la máquina mientras el motor está en marcha. Apague el motor y espere hasta que todas las piezas móviles se hayan detenido por completo. Desconecte el cable de la bujía y póngalo de manera que haga masa contra el motor.

Preparativos

9. Inspeccione minuciosamente el área donde utilizará el equipo. Retire todas las piedras, botellas, latas u otros objetos extraños que puedan ser levantados o arrojados causando lesiones personales o daños a la máquina.
10. Para protegerse los ojos utilice siempre anteojos o antiparras de seguridad mientras opera la máquina o mientras la ajusta o repara. Los objetos arrojados que rebotan pueden lesionar gravemente la vista.
11. Utilice zapatos de trabajo resistentes, de suela fuerte, así como pantalones y camisas ajustados. Las prendas sueltas o las alhajas pueden quedar atrapadas en las piezas móviles. Nunca utilice la máquina descalzo o con sandalias. Utilice guantes de trabajo de cuero cuando alimente material por el canal de la cortadora.

12. Antes de encender la máquina controle que todos los pernos y tornillos estén bien ajustados para comprobar que la máquina se encuentra en condiciones seguras de operación. Además, realice una inspección visual de la máquina a intervalos frecuentes para controlar si la misma está dañada.
13. Mantenga o reemplace las etiquetas de seguridad e instrucciones según sea necesario.

Manejo seguro de la gasolina

Para evitar lesiones personales o daños materiales sea sumamente cuidadoso al manipular la gasolina. La gasolina es altamente inflamable y sus vapores pueden causar explosiones. Se puede lesionar gravemente si derrama gasolina sobre usted o sobre la ropa ya que se puede encender. Lávese la piel y cámbiese de ropa de inmediato.

1. Utilice sólo recipientes para gasolina autorizados.
2. Nunca llene los contenedores en el interior de un vehículo o camión o caja de camioneta con recubrimientos plásticos. Coloque siempre los recipientes en el piso y lejos del vehículo antes de llenarlos.
3. Retire el equipo a gasolina del camión o remolque y llénelo en el piso. Si esto no es posible, entonces llene dicho equipo en un remolque con un recipiente portátil, en vez de desde un dispensador de gasolina.
4. Mantenga la boquilla de llenado en contacto con el borde de la entrada del tanque de gasolina o contenedor en todo momento hasta que esté lleno. No utilice un dispositivo para abrir/cerrar la boquilla.
5. Apague todos los cigarrillos, cigarrillos, pipas y otras fuentes de combustión.
6. Nunca cargue combustible en la máquina en un espacio cerrado.
7. Nunca saque la tapa del gas ni agregue combustible mientras el motor está caliente en marcha. Deje que el motor se enfríe por lo menos dos minutos antes de volver a cargar combustible.
8. Nunca recargue el tanque de combustible. Llene el tanque no más de 1/2 pulgada por debajo de la base del cuello del filtro para dejar espacio para la dilatación del combustible.
9. Vuelva a colocar la tapa de la gasolina y ajústela bien.
10. Limpie la gasolina derramada sobre el motor y el equipo. Traslade la máquina a otra zona. Espere 5 minutos antes de encender el motor.
11. Nunca almacene la máquina o el recipiente de combustible en un espacio cerrado donde haya fuego, chispas o luz piloto (por ejemplo, hornos, calentadores de agua, calefactores, secadores de ropa, etc.)
12. Para reducir el riesgo de incendio mantenga la máquina limpia de pasto, hojas y de acumulación de otros desechos. Limpie los derrames de aceite o combustible y saque todos los desechos embebidos con combustible.

Operación

1. No ponga las manos o los pies cerca de las piezas rotatorias o en las cámaras de alimentación ni en la abertura de descarga. El contacto con el motor rotatorio puede producir la amputación de dedos, manos o pies.
2. Antes de encender la máquina compruebe que el canal de la cortadora, la toma de alimentación y la cámara de corte están vacías y sin desechos.
3. Inspeccione minuciosamente todo el material que desea triturar y saque los objetos metálicos, piedras, botellas, latas u otros objetos extraños que pueden ocasionar lesiones o dañar la máquina.
4. Si el motor golpea un objeto extraño o si la máquina empieza a producir un sonido poco común o una vibración, apague el motor de inmediato. Deje que el motor se detenga por completo. Desconecte el cable de la bujía, póngalo de manera que haga masa contra el motor y siga estos pasos:
 - a. Inspeccione la máquina para ver si está dañada.
 - b. Repare o reemplace las piezas dañadas.
 - c. Controle si hay piezas flojas y ajústelas para asegurar que la máquina funcione de manera segura y continua.
5. No permita que se acumule material procesado en la zona de descarga. El mismo puede obstaculizar la descarga adecuada y provocar el retorno del material a través de la abertura de alimentación.
6. No intente triturar ni picar material de mayor tamaño al especificado en la máquina o en este manual. Se podrían producir lesiones o daños.
7. Nunca trate de destapar la toma de alimentación o la abertura de descarga mientras el motor está en marcha. Apague el motor y espere hasta que todas las piezas que se mueven se hayan detenido por completo, desconecte el cable de la bujía y póngalo de manera que haga masa contra el motor antes de sacar los escombros.
8. Nunca opere la máquina sin que la bolsa de la aspiradora y el canal de descarga estén conectados a la máquina como corresponde. Nunca vacíe ni cambie la bolsa de la aspiradora mientras el motor está en marcha. El extremo con cierre de la bolsa de la aspiradora debe quedar cerrado todo el tiempo mientras la opera.
9. Nunca opere la máquina si el pico de ingreso o la unión opcional para la manguera no están conectados a la máquina adecuadamente. Nunca intente conectar o cambiar ninguna de estas uniones mientras el motor está en marcha.
10. Mantenga todos los protectores, desviadores y dispositivos de seguridad en su lugar y en buenas condiciones.

11. Mientras alimenta material dentro de la máquina mantenga su rostro y su cuerpo detrás y hacia un costado del canal de la cortadora para evitar lesiones por retrocesos accidentales.
12. Nunca opere esta máquina sin buena visibilidad o iluminación. Siempre debe estar seguro de que está bien afirmado y sostenga bien las manijas.
13. No opere esta máquina en superficies con grava.
14. No opere esta máquina estando bajo los efectos del alcohol o de drogas.
15. El silenciador y el motor se calientan y pueden producir quemaduras. No los toque.
16. Nunca levante o transporte la máquina cuando el motor está encendido.
17. Si se presentan situaciones que no están previstas en este manual sea cuidadoso y use el sentido común. Marque para contactar el departamento de atención al cliente y obtener el nombre de su distribuidor más cercano.
4. No cambie la configuración del regulador del motor ni acelere demasiado el mismo. El regulador controla la velocidad máxima segura de operación del motor.
5. Mantenga o reemplace las etiquetas de seguridad e instrucciones según sea necesario.
6. Siga las instrucciones de este manual para cargar, descargar, transportar y almacenar de manera segura esta máquina.
7. Nunca almacene la máquina o el recipiente de combustible en un espacio cerrado donde haya fuego, chispas o luz piloto como por ejemplo, calentadores de agua, hornos, secadores de ropa, etc.
8. Deje que la máquina se enfríe por lo menos 5 minutos antes de guardarla.
9. Consulte siempre el manual del operador para conocer las instrucciones adecuadas para el almacenamiento fuera de temporada.
10. Si debe vaciar el tanque de combustible, hágalo al aire libre.
11. Respete las normas referentes a la disposición correcta y las reglamentaciones sobre gas, combustible, etc. para proteger el medio ambiente.

Mantenimiento y almacenamiento

1. Nunca manipule los dispositivos de seguridad de manera imprudente. Controle periódicamente que funcionen de forma adecuada.
2. Controle frecuentemente que todos los pernos y tornillos estén bien ajustados para comprobar que la máquina se encuentra en condiciones seguras de funcionamiento. Además, realice una inspección visual de la máquina para controlar si la misma está dañada y repárela de ser necesario.
3. Antes de limpiar, reparar o inspeccionar la máquina, detenga el motor y compruebe que el mismo y que todas las piezas móviles se hallan detenido. Desconecte el cable de la bujía y póngalo de manera que haga masa contra el motor para evitar que se encienda de manera accidental.
12. Según la Comisión de Seguridad de Productos para el Consumidor de los Estados Unidos (CPSC) y la Agencia de Protección Ambiental de los Estados Unidos (EPA), este producto tiene una *vida útil media* de siete (7) años, ó 60 horas de funcionamiento. Al finalizar la *vida útil media*, adquiera una máquina nueva o haga inspeccionar anualmente ésta por un distribuidor de servicio autorizado para cerciorarse de que todos los sistemas mecánicos y de seguridad funcionan correctamente y no tienen excesivo desgaste. Si no lo hace, pueden producirse accidentes, lesiones o muerte.

No modifique el motor

Para evitar lesiones graves o la muerte, no modifique el motor bajo ninguna circunstancia. Si cambia la configuración del regulador el motor puede descontrolarse y operar a velocidades inseguras. Nunca cambie la configuración de fábrica del regulador del motor.

Aviso referido a emisiones

Los motores que están certificados y cumplen con las regulaciones de emisiones federales EPA y de California para SORE (Equipos pequeños todo terreno) están certificados para operar con gasolina común sin plomo y pueden incluir los siguientes sistemas de control de emisiones: Modificación de motor (EM) y catalizador de tres vías (TWC) si están equipados de esa manera.

Guardachispas



ADVERTENCIA: Esta máquina está equipada con un motor de combustión interna y no debe ser utilizada en o cerca de un terreno agreste cubierto por bosque, malezas o hierba excepto si el sistema de escape del motor está equipado con un amortiguador de chispas que cumpla con las leyes locales o estatales correspondientes, en caso de haberlas.

Si se utiliza un amortiguador de chispas el operador lo debe mantener en condiciones de uso adecuadas. En el Estado de California las medidas anteriormente mencionadas son exigidas por ley (Artículo 4442 del Código de Recursos Públicos de California). Es posible que existan leyes similares en otros estados. Las leyes federales se aplican en territorios federales.

Puede conseguir el amortiguador de chispas para el silenciador a través de su distribuidor autorizado de motores o poniéndose en contacto con el departamento de servicios, P.O. Box 361131 Cleveland, Ohio 44136-0019.

Símbolos De Seguridad

Esta página representa y describe la seguridad los símbolos que pueden parecer en este producto. Lea, comprenda, y siga todas instrucciones en la máquina antes procurar para reunir y operar.

Símbolo	Descripción
	LEA EL MANUAL(S) DEL OPERADOR Lea, comprenda, y siga todas instrucciones en el manual (manuales) antes procurar para reunir y operar
	ADVERTENCIA— GIRANDO HOJAS Mantenga manos fuera de aperturas de cala y descarga mientras máquina corre. Allí giran hojas adentro
	ESPECTADORES Mantenga a espectadores, los animales favoritos, y los niños por lo menos 75 pies de la máquina mientras está en la operación. Pare máquina si cualquiera entra el área.
	ADVERTENCIA— OBJETOS TIRADOS Esta máquina puede recoger y poder tirar y los objetos que pueden rebotar.
	PROTECCION DE OJO Siempre lleve gafas de seguridad o gafas de seguridad al operar esta máquina.
	ADVERTENCIA— GASOLINA ES INFLAMABLE Allow the engine to cool at least two minutes before refueling.
	ADVERTENCIA— MONOXIDO DE CARBONO Nunca corra un motor dentro ni en un área mal ventilada. El escape del motor contiene monóxido de carbono, un gas inodoro y mortal.
	ADVERTENCIA — SUPERFICIE CALIENTE Las partes del motor, especialmente el silenciador, llega a ser muy caliente durante la operación. Permita motor y silenciador para ponerse frío antes de tocar.



¡ADVERTENCIA! Su Responsabilidad—Restringe el uso de esta máquina del poder a personas que leen, comprenden y siguen las advertencias y las instrucciones en este manual y en la máquina.

¡GUARDE ESTAS INSTRUCCIONES!

Contenido de la caja

- Aspiradora Para Patios (1)
- Manija superior e inferior (1)
- Bolsa (1)
- Manual de Operador (1)
- Montaje de la manguera (1)
- Botella del Aceite (1)
- Manual de Operador de Motor (1)
- Anteosos de seguridad (1)
- Extensión de Manguera (1)

Montaje

NOTA: Esta unidad se envía sin gasolina ni aceite en el motor. Llene con gasolina y aceite como se indica en las instrucciones que se incluyen en el manual de motor adjunto ANTES de poner en funcionamiento su aspiradora para patios.

Manija

1. Saque los broches de horquilla de los soportes de la manija, y saque los tornillos del carro y las tuercas de mariposa de la manija inferior.
 - a. Sitúe los agujeros inferiores de la manija inferior sobre los pernos de los soportes de la manija, y asegúrelos con broches de horquilla. Vea la Figura 3-1.

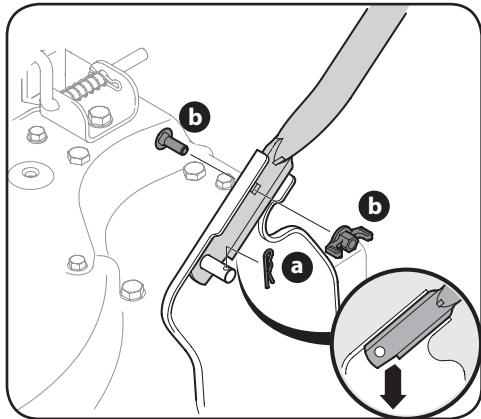


Figura 3-1

- b. Inserte los tornillos del carro desde el lado de afuera a través del agujero superior de la manija inferior y asegúrelos con tuercas de mariposa. Vea la Figura 3-1.

2. Despliegue la manija superior hasta que quede alineada con la manija inferior. Asegúrese que la guía de la cuerda esté situada a la derecha de la manija superior. Vea la Figura 3-2A.

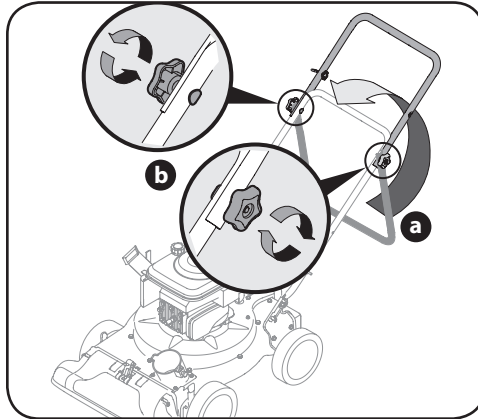


Figura 3-2

IMPORTANTE: Asegúrese de enrutar los cables fuera de la manija inferior. Asimismo, no prenda los cables mientras levanta las manijas.

3. Para sujetar las dos manijas ajuste las perillas de la manija (los pernos del carro deben estar colocados de forma adecuada en la manija). Vea B en la Figura 3-2.
4. Afloje la tuerca de mariposa que sostiene la guía de la cuerda contra el lado derecho de la manija superior.
 - a. Tire lentamente de la cuerda de arranque para sacarla del motor.
 - b. Deslice la cuerda de arranque en la guía. Vea la Figura 3-3.

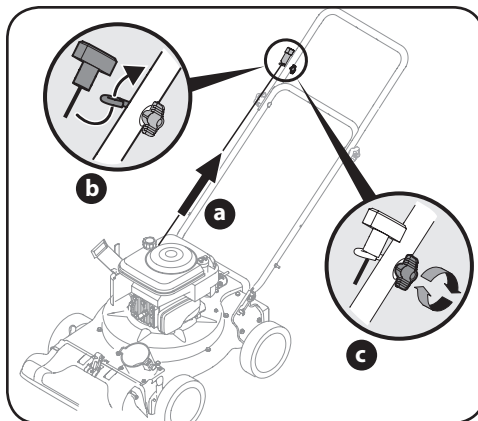


Figura 3-3

- c. Ajuste la tuerca a mariposa.

Montaje de la Manguera

1. Deslice el adaptador para manguera del montaje de la misma hacia el interior del adaptador base ubicado a la izquierda y al frente de la aspiradora para patios. Vea A en la Figura 3-4.

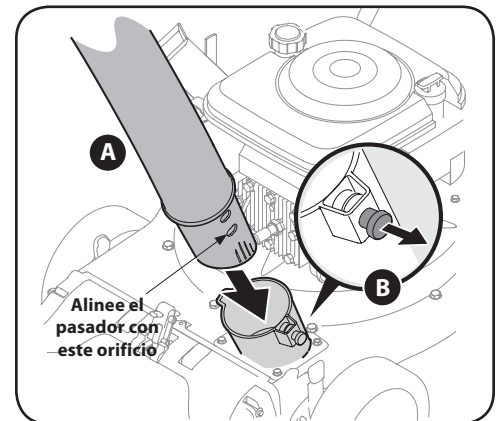


Figura 3-4

2. Tire del perno con resorte del lado exterior de la base, y ponga el perno en línea con el primer agujero (el más cercano al extremo del tubo) del adaptador para manguera. Vea la Figura 3-4.
3. Suelte el perno para ajustar la manguera en su lugar.
4. Sitúe el caño de la manguera en final curvo de mango de manguera junto al canal de la cortadora y en la cuna de la manguera (Si procede). Vea A y B en la Figura 3-5.

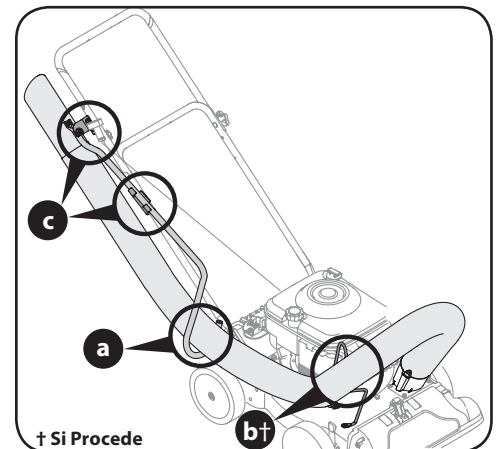


Figura 3-5

5. Primero, una a presión la manija de la manguera con el soporte para la manija de la manguera superior, y después con el soporte de la manguera inferior. Vea C en la Figura 3-5.

Bolsa

1. Sostenga la manija de la bolsa con una mano y deslice la varilla de seguridad del soporte de montaje hacia el motor con la otra mano. Use el extremo del soporte de montaje como palanca cuando deslice la varilla de seguridad. Vea la Figura 3-6.

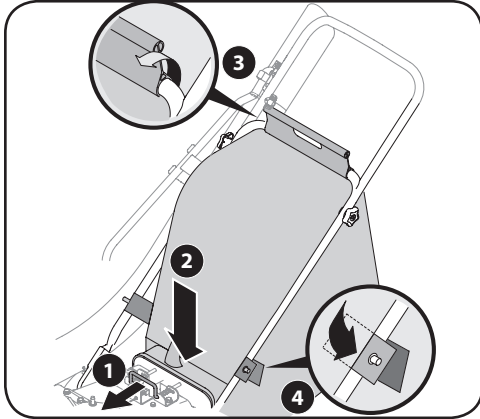


Figura 3-6

2. Deslice la bolsa por encima del borde de la abertura de descarga y suelte la varilla de seguridad para ajustar la bolsa en su lugar.
3. Una el broche de la bolsa a presión con la parte superior de la manija inferior.
4. Coloque las tiras inferiores de la bolsa por encima de la parte superior de la manija inferior, enganchándolas en los pernos. Vea la Figura 3-6.

NOTA: El botón interruptor de bolsa / canal, unido a la ménsula de montaje, debe quedar presionado totalmente por la punta de la aleta delantera situada en la manija de la bolsa cuando ajuste dicha bolsa, o el motor no arrancará.

Ajustes

Altura Del Pico

Puede ajustar el pico en seis posiciones que varían desde 5/8" a 4 1/8" de distancia del suelo. Debe ajustar la altura del pico según las condiciones del patio.

1. Oprima la palanca de ajuste de la altura del pico hacia la rueda. Vea la Figura 3-7.

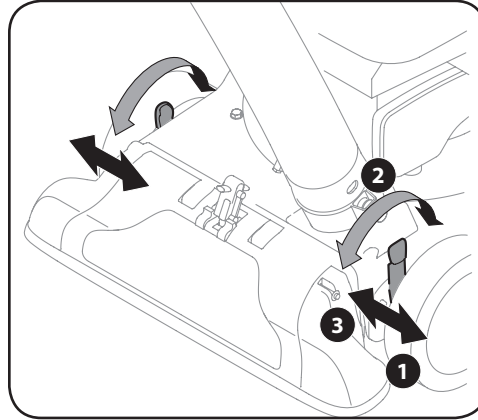


Figura 3-7

2. Mueva la palanca de ajuste de altura hacia delante o hacia atrás, para mover el pico arriba o abajo. Asegúrese de que ambas palancas están en la misma posición.
3. Libere la palanca hacia la cubierta. Vea la Figura 3-7.

NOTA: En general, levante la altura del pico para aspirar una capa gruesa de hojas o para usar el canal de soplado. Baje la altura del pico para superficies más lisas.

Configuración

Llenado de gasolina y aceite

Refiérase a las instrucciones del manual del motor para la información de motor.

1. Añadir el petróleo proporcionado antes de la unidad inicial por primera vez de la caja.
2. Atender el motor con la gasolina como instruido en el manual del motor.



ADVERTENCIA: Tenga extremo cuidado cuando manipule gasolina. La gasolina es altamente inflamable y sus vapores pueden causar explosiones. Nunca agregue combustible a la máquina en interiores o mientras el motor está caliente o en funcionamiento. Apague cigarrillos, cigarros, pipas y otras fuentes de combustión.



ADVERTENCIA: Nunca llene el depósito de combustible dentro del correr de motor o hasta que se haya permitido que el motor se enfríe durante al menos dos minutos después del correr.

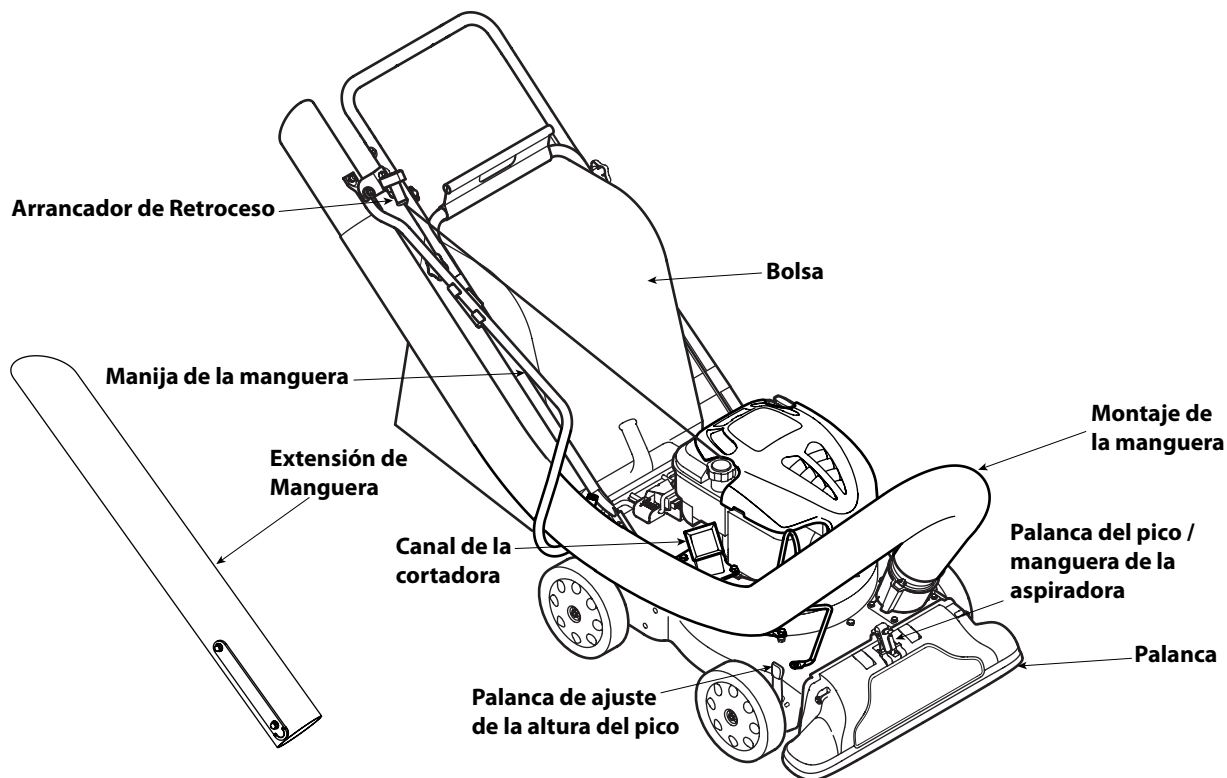


Figura 4-1

Controles



ADVERTENCIA: Al operar una cortadora trituradora puede ser que objetos extraños sean arrojados a los ojos lo cual puede dañarlos gravemente. Utilice siempre los anteojos de seguridad provistos con esta unidad o protectores para ojos mientras opera y mientras realiza ajustes o reparaciones.

Canal de la cortadora

Permite que las ramas pequeñas de hasta 1-1/2" de diámetro ingresen al motor para picarlas.

Palanca

Los desechos que se acumulan en los patios como por ejemplo las hojas o las agujas de los pinos se pueden aspirar con el pico para picarlos.

Bolsa

Junta el material triturado que ingresó a través del canal de picado o que fue aspirado a través del pico o de la manguera.

Extensión de Manguera

Usado para pasar la aspiradora por yarda gastan en con fuerza para alcanzar sitios de la yarda.

Montaje de la manguera

Se usa como alternativa del uso del pico para aspirar los desechos que se acumulan en los patios como por ejemplo las hojas o las agujas de los pinos.

Palanca del pico / manguera de la aspiradora

La manija del pico / manguera de la aspiradora está situada en la parte superior del pico. Utilícela para alternar la succión de la aspiradora entre el pico y el montaje de la manguera.

Manija de la manguera

Se utiliza para guiar el montaje de la manguera mientras se aspira.

Palanca de ajuste de la altura del pico

Se utiliza para ajustar la distancia entre el suelo y el pico que varía aproximadamente de 5/8" a 4 1/8".

Arrancador de Retroceso

El arrancador de retroceso está unido a la manija superior derecha. Para encender la unidad colóquese detrás de la misma y tire de la cuerda del arrancador de retroceso.

Funcionamiento

Arranque y Parada del Motor

Consulte el manual incluido con su Chipper El operador del motor de vacío / máquina destructora de documentos para obtener instrucciones sobre cómo iniciar y parar el motor.

Descarga de la Bolsa

1. Desenganche las tiras de la bolsa de la manija inferior.
2. Suelte el broche de la bolsa a presión de la parte superior de la manija inferior. Vea la Figura 4-2.

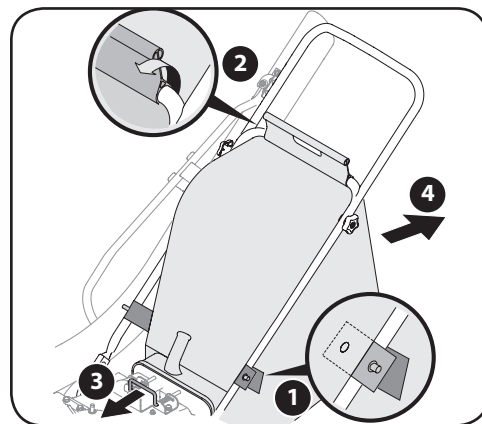


Figura 4-2

3. Tome la manija de la bolsa con una mano y tire de la varilla de seguridad del soporte de montaje hacia el motor con la otra mano para soltarla.
4. Eleve la bolsa fuera de la parte posterior de la unidad.
5. Gire los dos botones de la parte posterior de la bolsa para abrirla y vaciar el contenido. Vea la Figura 4-3. Sostenga la manija y el broche de la bolsa mientras vacía el contenido.

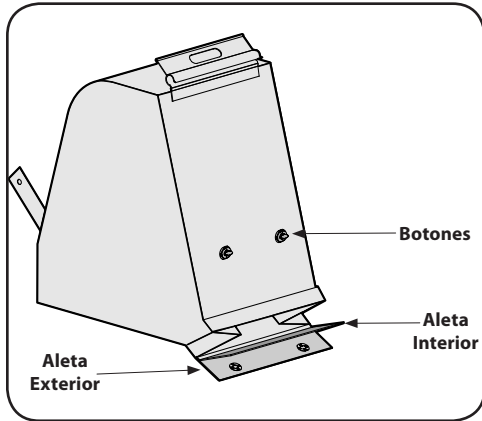


Figura 4-3

6. Comprima la abertura de la bolsa y doble la aleta interior sobre la abertura.
7. Doble la aleta exterior sobre la aleta interior e inserte los botones de la bolsa a través de las salidas metálicas. Vea la Figura 4-3.
8. Gire los botones para cerrar la bolsa. Ubique la bolsa de nuevo en la unidad como se indica en Ensamblado y Configuración.



ADVERTENCIA: Siempre detenga el motor y desconecte el cable de la bujía antes de realizar cualquier ajuste.

Uso Del Pico De La Aspiradora

El desecho que se acumula en los patios como por ejemplo las hojas y las agujas de los pinos pueden aspirarse a través del pico para triturarlos. Después que ha triturado el material con las hojas de desgranar del montaje del motor, el mismo será descargado a la bolsa colectorora. Sólo utilice la máquina para triturar o picar el material integrante de la vegetación que se encuentra en un patio normal (es decir, ramas, hojas, ramas pequeñas, etc.) Evite las plantas fibrosas como por ejemplo las de tomates hasta que estén totalmente secas. Se pueden introducir materiales como por ejemplo troncos o ramas pesadas de hasta 1 -1/2" de diámetro en el canal de la cortadora.

1. Coloque la palanca del pico / manguera de la aspiradora en la posición superior del pico para aspirar a través del mismo. Vea la Figura 4-4.

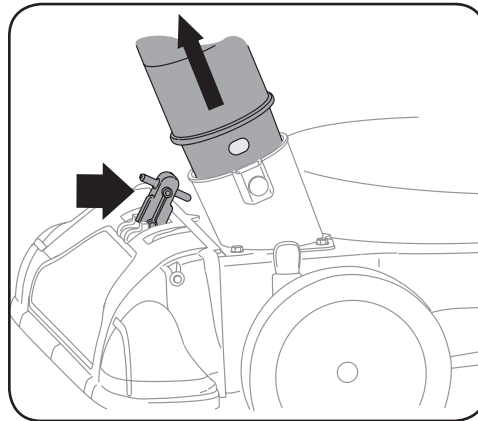


Figura 4-4

2. El perno con resorte debe estar en el primer orificio (el más cercano al final del tubo) del adaptador de la manguera para operar el pico de la misma. Vea la Figura 4-4.
3. Con ambas manos situadas en la parte superior de la manija superior para empuje la unidad por el patio.



ADVERTENCIA: No intente triturar, picar ni aspirar material de mayor tamaño al especificado en la máquina o en este manual. Se podrían producir lesiones o daños a la máquina.

IMPORTANTE: La pantalla de desgranado está ubicada dentro de la caja en la zona de descarga. Si se tapa la pantalla de desgranado, sáquela y límpiela como se indica en la sección de mantenimiento. Para obtener el mejor resultado es importante también mantener afilada la hoja de la cortadora.

Uso Del Montaje De La Manguera

1. Coloque la manija del pico / manguera de la aspiradora en la posición de la base del pico para volver a dirigir la aspiración al montaje de la manguera. Vea la Figura 4-5.

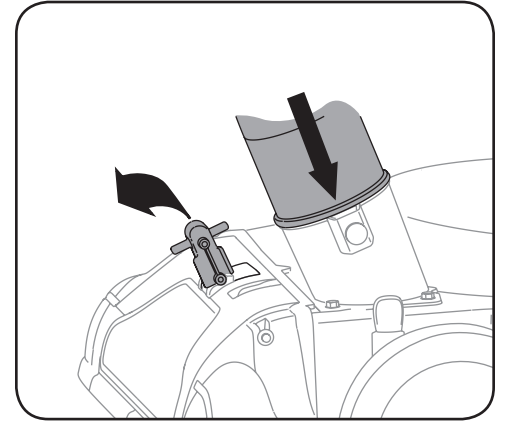


Figura 4-5

2. Para operar el ensamblado de la manguera, el perno con resorte debe estar en el segundo agujero del adaptador de la misma. Vea la Figura 4-5.
3. Desenganche la manguera del soporte de la manija superior y tome la manija de la manguera para dirigirla mientras aspira los desechos que se acumulan en los patios como por ejemplo hojas o agujas de pinos que se encuentran.
4. Si es necesario, ate la extensión de manguera para pasar la aspiradora en lugares de difícil acceso como sigue:
 - a. Encarte final redondo de extensión de manguera en final de asamblea de manguera.
 - b. Correa segura en extensión de manguera para fijar en asamblea de manguera. Vea la Figura 4-6.

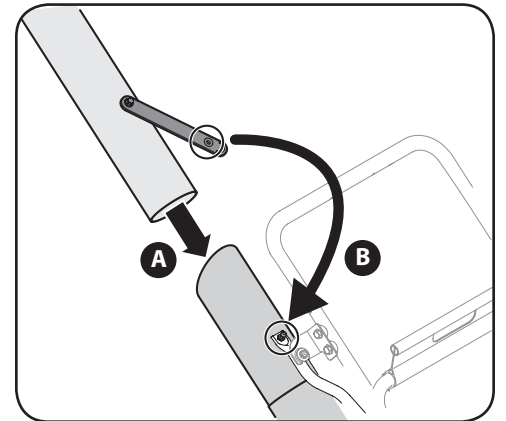


Figura 4-6

Mantenimiento

Recomendaciones Generales

- Respete siempre las reglas de seguridad cuando realice tareas de mantenimiento.
- La garantía de esta aspiradora para patios no cubre elementos que han estado sujetos al mal uso o la negligencia del operador. Para recibir el reembolso total de la garantía, el operador deberá dar mantenimiento al equipo como se indica en este manual.
- El cambio de la velocidad controlada del motor invalidará la garantía del motor.
- Todos los ajustes deben ser verificados por lo menos una vez en cada estación.
- Revise periódicamente todos los sujetadores y compruebe que estén bien ajustados.



ADVERTENCIA: Detenga siempre el motor, desconecte la bujía y haga masa contra el motor antes de realizar cualquier tarea de mantenimiento a su máquina.

Lubricación

1. Sitúe unas pocas gotas de aceite SAE 30 en cada tornillo con reborde una vez por temporada.
2. Lubrique las palancas de ajuste de altura del pico con aceite ligero.
3. Lubrique la varilla de seguridad y los resortes de compresión que la unen a la ménsula de montaje.
4. Lubrique la palanca del pico / manguera de la aspiradora que la unen a la ménsula de montaje. Ver la Figura 5-1.

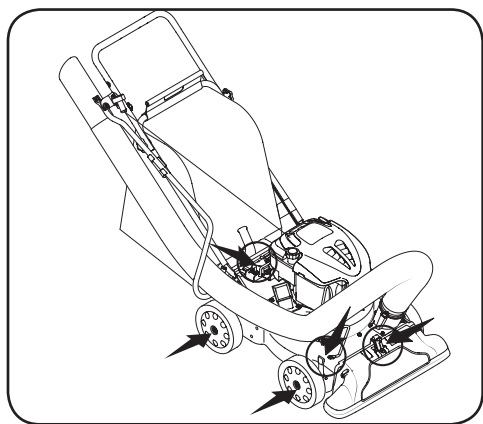


Figura 5-1

5. Siga el manual de motor separado embalado por su unidad para instrucciones de lubricación.

Mantenimiento de Equipo

- Limpie cuidadosamente la aspiradora para patios después de cada uso.
- Lave la bolsa con agua periódicamente. Permita que se seque bien en un sitio a la sombra.
- Si se tapa la pantalla de desgranado, sáquela y límpiela como se indica abajo.

NOTA: La limpieza con un chorro de agua a presión no se recomienda, ya que el sistema de combustible podría resultar contaminado.

Cuidados para el motor

Consulte el Manual del operador del motor es se embarcó con su astilladora / desintegradora de vacío para todo el mantenimiento del motor.



ADVERTENCIA: Antes de realizar cualquier tipo de mantenimiento en la máquina, espere todas las partes a dejar de moverse y desconectar el alambre de bujía. El fracaso de seguir esta instrucción

podría causar la herida personal o el daño a la propiedad.

Extracción de la Pantalla de Desgranado

Si la zona de descarga se tapa, saque la pantalla de desgranado y limpie la zona como se indica a continuación.

1. Detenga el motor. Compruebe que el vacío de la cortadora/trituradora se haya detenido por completo.
2. Antes de destapar el canal de descarga, desconecte el cable de la bujía y póngalo de manera que haga masa contra el poste de retención.
3. Saque la bolsa de la aspiradora de la unidad, como se indica en la sección OPERACIÓN, para acceder a la pantalla de desgranado.
4. Saque el tornillo autosellante del lado derecho de la unidad que se une a la pantalla de desgranado. Vea la Figura 5-2.

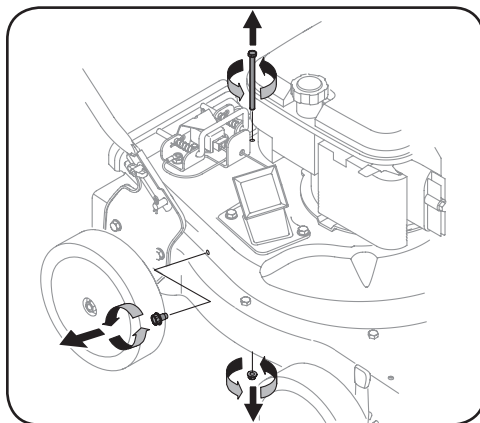


Figura 5-2

5. Saque el tornillo de cabeza hexagonal de la parte superior de la caja posterior cerca del soporte de montaje, y la tuerca de seguridad de la brida que une la pantalla de desgranado. Vea la Figura 5-2.

6. Saque la pantalla y límpiela con un cepillo o lávela con agua. Vea la Figura 5-3.

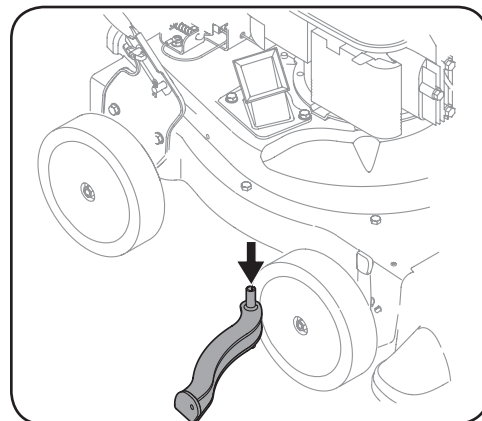


Figura 5-3

7. Vuelva a colocar la pantalla.

Cuidado de la Cuchilla



ADVERTENCIA: Antes de realizar cualquier tipo de mantenimiento en la máquina, espere todas las partes a dejar de moverse y desconectar el alambre de bujía. El fracaso de seguir esta instrucción

podría causar la herida personal o el daño a la propiedad.

NOTA: Cuando incline la unidad, vacíe el depósito de combustible y aceite, y mantenga el lado de la bujía hacia arriba.

6. Desconecte el cable de la bujía y póngalo de manera que haga masa contra el poste de retención.
7. Retire el montaje de la bolsa.
8. Ajuste los tres tornillos de cabeza hexagonal que sostienen el canal de la cortadora a la caja superior. Vea la Figura 5-4.

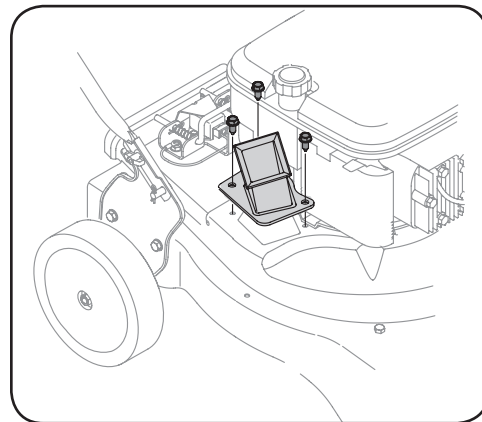


Figura 5-4

9. Saque las tuercas de seguridad de brida, las ruedas delanteras y las arandelas ondulatorias que van unidas a los montajes del brazo giratorio. Vea la Figura 5-5.

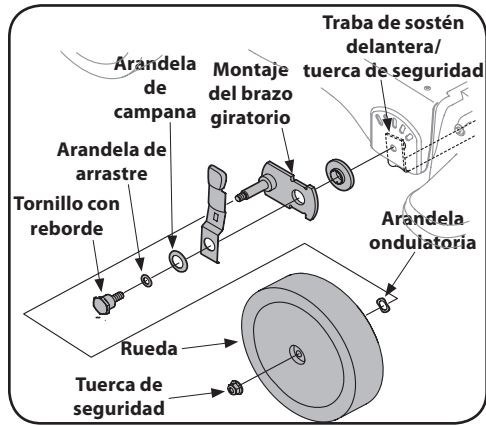


Figura 5-5

10. Saque los tornillos con reborde, las arandelas de arrastre y las arandelas de campana que pasan por los brazos giratorios hasta la traba de sostén delantera. La traba de sostén delantera y la tuerca de seguridad pueden quitarse en este momento también.
11. Saque los cuatro tornillos de la caja superior que ajustan la cubierta del pico. Vea la Figura 5-6.

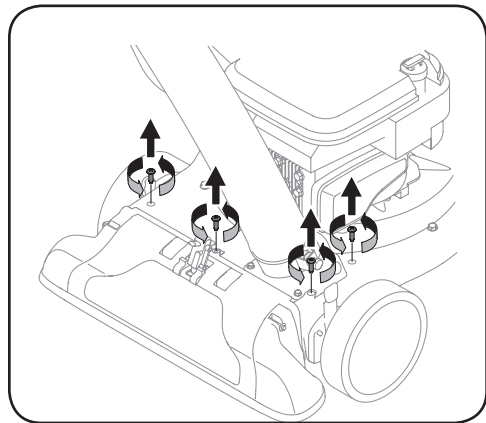


Figura 5-6

12. Incline la unidad con cuidado y apóyela hacia arriba para obtener acceso por la parte inferior al material de montaje del pico y al motor. Retire los tres tornillos con reborde que aseguran el pico de plástico negro a la caja inferior. Consulte la Figura 5-7.

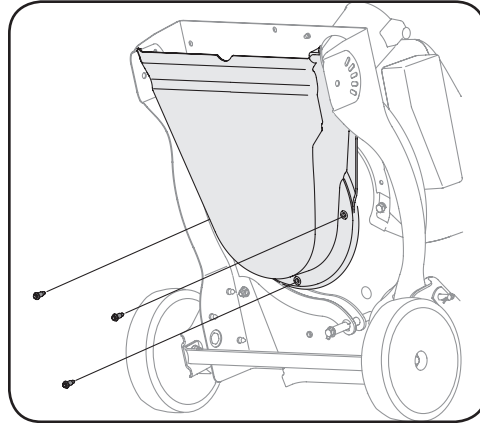


Figura 5-7

13. Incline la parte superior del pico de plástico negro hacia el motor para retirarlo.
14. Mediante una llave Allen de 3/16", retire los tornillos de cabeza plana que sujetan la hoja de la cortadora al motor. Dichos tornillos son accesibles a través de la abertura que se creó cuando retiró el canal de la cortadora anteriormente. Vea la Figura 5-8.

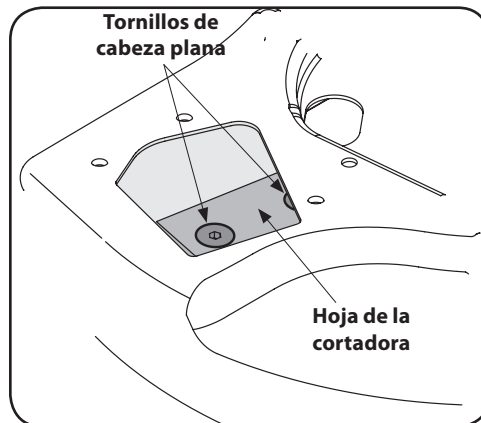


Figura 5-8

15. Es posible alcanzar las tuercas de los tornillos de cabeza plana desde la parte inferior, mediante una llave universal de 1/2 pulg. con extensión. Vea la Figura 5-9.

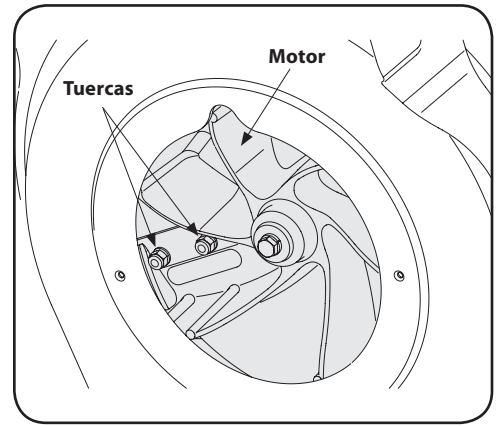


Figura 5-9

16. Cambie o afile las hojas de la cortadora. Se puede afilar la cuchilla con un afilador o con una rueda de esmalte.

ADVERTENCIA: Cuando afile las hojas, protéjase las manos mediante el uso de guantes y siga el ángulo original de molido.

17. Para realizar el reensamblado siga los pasos anteriores en orden y manera inversos a la extracción.

NOTA: Ajuste los tornillos de la hoja con un par de torsión de 210- 250 in-lbs. Compruebe que se reensamblen las hojas de la cortadora con el filo hacia arriba.

Almacenamiento Fuera de Temporada

- Almacenando el vacío de yarda en un cobertizo de almacenaje no ventilado o metálico, el cuidado debería ser tomado a inoxidable las superficies no pintadas. Usando un petróleo ligero o silicona, cubra el equipo, sobre todo cualquier primavera, portes, y cables.
- Quite toda la suciedad del exterior de motor y equipo.
- Siga recomendaciones de lubricación.
- Consulte el manual del motor para conocer las instrucciones para el almacenamiento correcto del mismo.
- Equipo de tienda en un área limpia, seca. No almacene en un área donde el equipo está presente que puede usar un piloto o tiene un componente que puede cree una chispa.

Problema	Causa	Remedio
El motor no arranca	<ol style="list-style-type: none"> 1. La palanca del regulador (de ser equipado) no está en la posición de arranque correcta. 2. Interruptor de motor (de ser equipado) en de posición. 3. Se ha desconectado el cable de la bujía. 4. La palanca de obturación no está en la posición ON (encendido). 5. El tanque de combustible está vacío o el combustible es viejo. 6. Válvula de corte de combustible cerrado (De ser equipado). 7. La bujía no funciona correctamente. 8. El interruptor de seguridad no está presionado. 	<ol style="list-style-type: none"> 1. Mueva la palanca del regulador a la posición START (inicio)/RUN (dirigido). 2. Mueva el interruptor de motor a EN la posición. 3. Conecte el cable a la bujía. 4. Ponga el interruptor en la posición CHOKE (obturación). 5. Llene el tanque con gasolina limpia y fresca. 6. Encienda la válvula de combustible de cierre. 7. Limpie, ajuste la distancia disruptiva o cambie. 8. El interruptor de seguridad debe ser presionado por la aleta delantera de la manija de la bolsa cuando se asegura la bolsa.
El motor funciona de manera errática	<ol style="list-style-type: none"> 1. La unidad está funcionando en la posición CHOKE (obturación). 2. El cable de la bujía está flojo. 3. El combustible es viejo. 4. Agua o suciedad en el sistema del combustible. 5. El filtro de aire está sucio. 6. RPM del motor bajas. 7. Es necesario ajustar el carburador. 	<ol style="list-style-type: none"> 1. Cambie la palanca de obturación a la posición OFF (apagado). 2. Conecte y ajuste el cable de la bujía. 3. Llene el tanque con gasolina limpia y fresca. 4. Vacíe el tanque del combustible. Vuelva a llenarlo con combustible limpio. 5. Consulte el manual del motor. 6. Siempre accione el motor con el estrangulador al máximo (de ser equipado). 7. Consulte a un distribuidor autorizado.
El motor recalienta	<ol style="list-style-type: none"> 1. El nivel de aceite del motor es bajo. 2. Flujo de aire restringido. 	<ol style="list-style-type: none"> 1. Llene el cárter con aceite adecuado. 2. Retire el alojamiento del soplador y límpielo.
Salto ocasionales (pausas) a alta velocidad	<ol style="list-style-type: none"> 1. La distancia disruptiva de la bujía es muy pequeña. 2. Ajuste de la mezcla del carburador mal realizada. 	<ol style="list-style-type: none"> 1. Quite la bujía y ajuste el hueco. 2. Consulte a un distribuidor autorizado.
Demasiada vibración	<ol style="list-style-type: none"> 1. Hay partes que están flojas o el motor está dañado. 	<ol style="list-style-type: none"> 1. Consulte a un distribuidor autorizado.
La unidad no descarga	<ol style="list-style-type: none"> 1. El área de descarga está tapada. 2. Hay un objeto extraño en el motor. 3. RPM del motor bajas. 4. La bolsa de la aspiradora está llena. 	<ol style="list-style-type: none"> 1. Detenga el motor de inmediato y desconecte el cable de la bujía. Limpie la pantalla de desgranado y el interior de la abertura de descarga. 2. Detenga el motor y desconecte el cable de la bujía. Saque el objeto extraño del motor. 3. Siempre accione el motor con el estrangulador al máximo. 4. Vacíe la bolsa.
La tasa de descarga se reduce de manera considerable o cambia la composición del material descargado	<ol style="list-style-type: none"> 1. RPM del motor bajas. 2. La hoja de la cortadora está desafilada 	<ol style="list-style-type: none"> 1. Siempre accione el motor con el estrangulador al máximo. 2. Reemplace la hoja de la cortadora o contacte a un distribuidor autorizado.

Notas

GARANTÍA LIMITADA DEL FABRICANTE PARA



La siguiente garantía limitada es otorgada por Troy-Bilt LLC con respecto a mercadería nueva adquirida y utilizada en los Estados Unidos, sus posesiones y territorios ("Troy-Bilt").

Esta garantía complementa cualquier garantía contra emisiones suministrada que rige para su producto.

"Troy-Bilt" garantiza este producto (excluidas sus *Piezas con Desgaste Normal* y *Accesorios* según se describe más abajo) contra defectos en los materiales y la mano de obra durante un período de dos (2) años a partir de la fecha de compra original por el primer comprador de dicho producto y, a discreción, reparará o reemplazará, sin costo alguno, cualquier pieza que presente defectos materiales o de mano de obra. Esta garantía limitada sólo se aplicará si el producto se ha usado para fines no comerciales y se ha utilizado y mantenido de acuerdo con las instrucciones del Manual del Operador que se entrega con el producto y no ha sido objeto de uso indebido, mal uso, uso comercial, negligencia, accidente, mantenimiento inadecuado, modificación, vandalismo, robo, incendio, inundación o daños debidos a otro peligro o desastre natural. Los daños que resulten de la instalación o el uso de piezas, accesorios o elementos no aprobados por Troy-Bilt para usar con los productos incluidos en este manual anularán la garantía en lo que respecta a esos daños.

Se garantiza que las *piezas con desgaste normal* están libres de defectos materiales o de fabricación por un período de treinta (30) días a partir de la fecha de compra original. Las piezas sujetas a desgaste normal incluyen, entre otras, componentes como: baterías, correas, cuchillas, adaptadores para cuchillas, dientes, bolsas para césped, ruedas, rueditas de la plataforma del tractor, asientos, zapatas antideslizantes, ruedas de fricción, placas de raspado, gomas helicoidales y neumáticos.

Accesorios — Troy-Bilt garantiza todos los accesorios para este producto contra defectos en los materiales y la mano de obra por un período de un (1) año, a partir de la fecha de alquiler o compra original del accesorio. Los accesorios incluyen, entre otros, componentes como: colectores de césped o kits de abono.

CÓMO OBTENER SERVICIO TÉCNICO: El servicio de la garantía está disponible, CON COMPROBANTE DE COMPRA, a través de su distribuidor local de servicio autorizado. Para obtener el servicio de la garantía no es necesario registrar el producto. Para localizar un distribuidor en su área, consulte las Páginas Amarillas o póngase en contacto con Troy-Bilt LLC en P.O. Box 361131, Cleveland, Ohio 44136-0019, o llame al 1-866-840-6483, 1-330-558-7220 o visite nuestro sitio web en www.troybilt.com.

Esta garantía limitada **no** suministra cobertura en los siguientes casos:

- a. Los cilindros, válvulas y bombas de la máquina rompetroncos tienen una garantía separada de un año. Los elementos de mantenimiento de rutina como por ejemplo lubricantes, filtros, afiladores de cuchillas, puesta a punto del motor, ajustes de frenos, del embrague o de la plataforma, y el deterioro normal del acabado exterior debido al uso o la exposición.

- b. Servicios no realizados por el distribuidor de servicio autorizado.
- c. Troy-Bilt no extiende ninguna garantía para los productos vendidos o exportados fuera de los Estados Unidos y sus posesiones y territorios, excepto para aquellos vendidos a través de los canales autorizados de distribución de exportaciones de Troy-Bilt.
- d. Los repuestos que no son piezas originales de Troy-Bilt.
- e. Gastos de transporte y visitas técnicas.
- f. Troy-Bilt no garantiza este producto para uso comercial.

No se otorgan garantías implícitas, incluidas las garantías implícitas de comerciabilidad o de adecuación para un propósito determinado, después del período de garantía escrita expresa aplicable antes mencionada para las piezas ya identificadas. Ninguna otra garantía expresa, sea oral o escrita, excepto la mencionada anteriormente, extendida por personas físicas o jurídicas, incluidos los distribuidores o los minoristas con respecto a los productos, obligará a Troy-Bilt. Durante el plazo de la garantía el único recurso es la reparación o reemplazo del producto como se indica anteriormente.

Las disposiciones de esta garantía cubren el recurso de reparación única y exclusiva que surge de la venta. Troy-Bilt no se hará responsable de las pérdidas o los daños indirectos o emergentes, incluyendo sin limitación, los gastos incurridos para sustituir o reemplazar los servicios de mantenimiento del césped, o para reemplazar temporalmente un producto bajo garantía.

Algunos estados no permiten la exclusión o limitación de los daños y perjuicios incidentales o directos, o las limitaciones sobre la duración de las garantías implícitas, por lo que las exclusiones o limitaciones antes mencionadas pueden no ser de aplicación en su caso.

En ningún caso se obtendrá una compensación mayor al monto del precio de compra del producto vendido. **La modificación de las características de seguridad del producto anulará esta garantía.** Usted asume el riesgo y la responsabilidad por las pérdidas, daños o lesiones personales o materiales propios o de terceros que surjan del uso indebido o la incapacidad de usar este producto.

Esta garantía limitada se extiende al comprador original (es decir: el primer comprador de un producto nuevo) y a al propietario siguiente del producto para uso no comercial durante el período de garantía desde la fecha original de compra por el primer comprador del producto. En caso de que la fecha original de compra por el primer comprador del producto es indeterminable, el período de garantía se establecerá como veintiocho (28) meses desde la fecha de fabricación del producto, según lo determine Troy-Bilt. En ningún caso la garantía del producto se extenderá más allá del período de garantía establecido.

CÓMO AFECTA LA LEGISLACIÓN ESTATAL A ESTA GARANTÍA: Esta garantía limitada le otorga derechos legales específicos, pero usted podría gozar de otros derechos que varían de acuerdo a su lugar de residencia.

Troy-Bilt LLC, P.O. BOX 361131 CLEVELAND, OHIO 44136-0019, Teléfono: 1-866-840-6483, 1-330-558-7220

www.troybilt.com