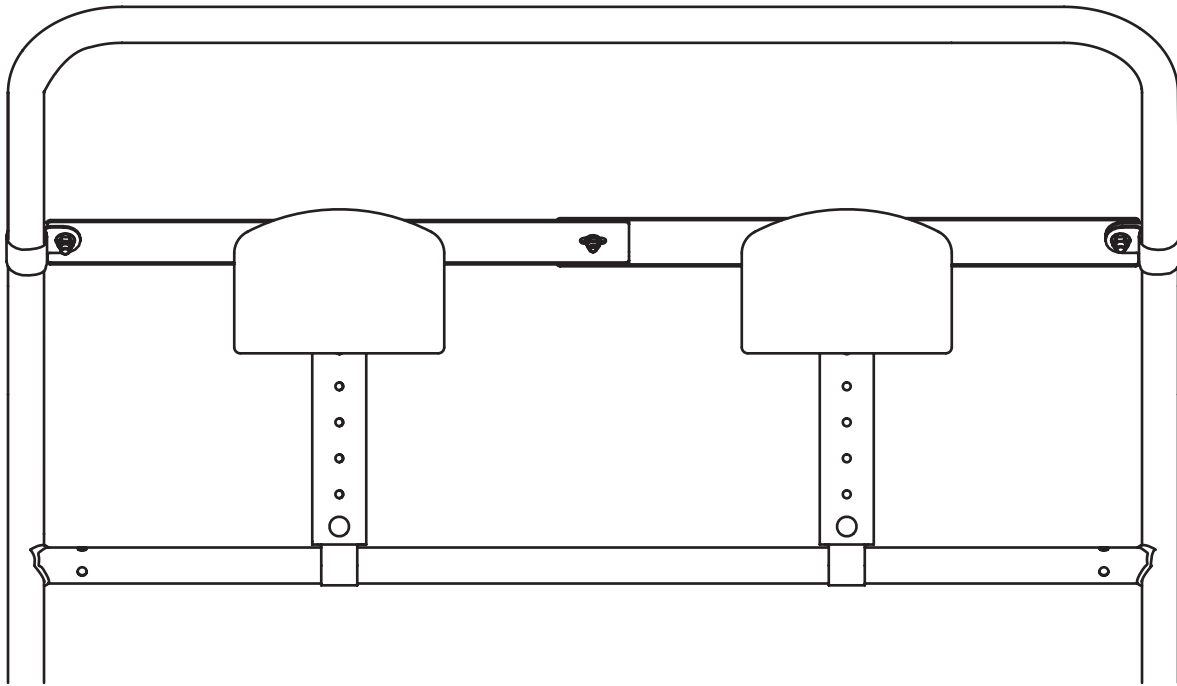


# *Cub Cadet*<sup>®</sup>

## INSTALLATION MANUAL



### **39A70088100 — Headrest Kit**

If you have difficulty assembling this product, have questions regarding the controls, operation, or maintenance of this product, want to order replacement parts/attachments/accessories; you can seek help from the experts. Have your full model number and serial number ready. Choose from the options below:

Web: [www.cubcadet.com/equipment/cubcadet/service-and-parts](http://www.cubcadet.com/equipment/cubcadet/service-and-parts)  
Phone: (800) 965-4CUB  
Mail: Cub Cadet LLC • P.O. Box 361131 • Cleveland, OH • 44136-0019



Form No. 769-11730A  
(August 11, 2016)

# Installation

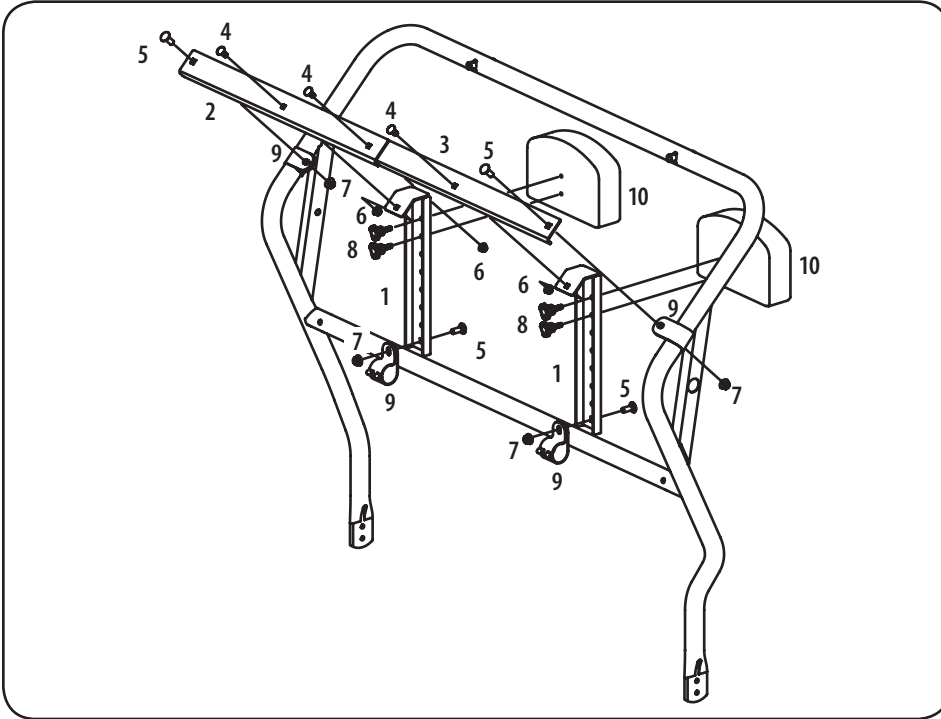


Figure 1

Ref.	Description	Part No.	Quantity
1	Lower Headrest Mount Bracket	707-06629A	2
2	LH Headrest Mount Bracket	707-06631	1
3	RH Headrest Mount Bracket	707-06636A	1
4	Carriage Bolt, 5/16-18 x .750	710-0451	3
5	Carriage Bolt, 3/8-16 x 1.00	710-3168	4
6	Flange Lock Nut, 5/16-18	712-04063	3
7	Flange Lock Nut, 3/8-16	712-04065	4
8	Knob, 5/16-18	720-05129A	4
9	Clamp, 1.5"	726-05095	4
10	Headrest Pad	757-05272	2

## Tools Required

- 1/2" wrench and/or socket
- 3/16" wrench and/or socket

**NOTE:** All references to LEFT, RIGHT, FRONT, and REAR indicate the headrest position on the equipment when facing forward while seated in the operator position.

**NOTE:** It is easier to install the headrests if the rear dust panel or soft cab (if equipped) are removed.

1. Using a carriage bolt (4) and flange lock nut (6) loosely connect the LH headrest mount bracket (2) and the RH headrest mount bracket (3) together. See Figure 2. The inner hole in the RH headrest mount bracket (3) is slotted to allow for a better fitment and should be installed under the LH headrest mount bracket (2).

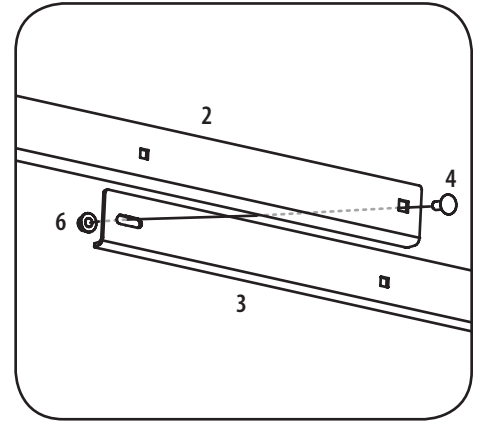


Figure 2

2. Loosely mount the assembled LH and RH headrest mount brackets (2 & 3) to two lower headrest mount brackets (1) with two carriage bolts (4) and flange lock nuts (6). Mount the lower headrest mount brackets (1) to the middle holes in the LH and RH headrest mount brackets (2 & 3). The lower headrest mount brackets (1) should fit into the L-shaped corner of the LH and RH headrest mount brackets (2 & 3) as shown in Figure 3.

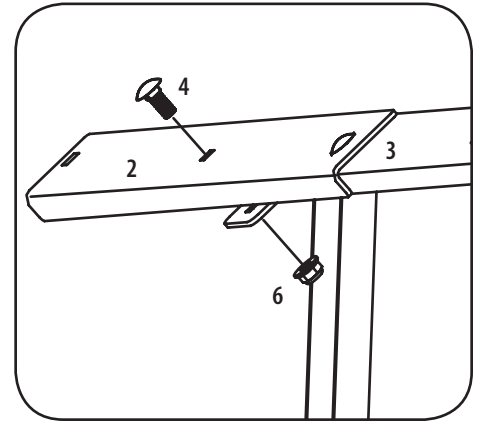


Figure 3



# CUB CADET LLC

## MANUFACTURER'S LIMITED WARRANTY FOR

### UTILITY VEHICLES

The limited warranty set forth below is given by Cub Cadet LLC with respect to new merchandise purchased and used in the United States, its possessions and territories, and by MTD Products Limited with respect to new merchandise purchased and used in Canada and/or its territories and possessions.

This warranty is in addition to any applicable emissions warranty provided with your product.

For non-commercial use: Cub Cadet warrants this product (excluding Batteries, as described below) against defects in material and workmanship for a period of one (1) year from the date of original retail purchase or lease.

For commercial uses and applications: Cub Cadet warrants this product (excluding Batteries, as described below) against defects in material and workmanship for a period of six (6) months from the date of original retail purchase or lease.

"Cub Cadet" will, at its option, repair or replace, free of charge, any part found to be defective in materials or workmanship. This limited warranty shall only apply if this product has been operated and maintained in accordance with the Operator's Manual furnished with the product, and has not been subject to misuse, abuse, neglect, accident, improper maintenance, alteration, vandalism, theft, fire, water, or damage because of other peril or natural disaster. Damage resulting from the installation or use of any part, accessory or attachment not approved by Cub Cadet for use with the product(s) covered by this manual will void your warranty as to any resulting damage.

*Batteries* have a one-year prorated limited warranty against defects in material and workmanship, with 100% replacement during the first three months. After three months, the battery replacement credit is based on the months remaining in the twelve (12) month period dating back to the original date of original sale or lease. Any replacement battery will be warranted only for the remainder of the original warranty period.

*Attachments* — Cub Cadet warrants its approved attachments against defects in material and workmanship for a period of one (1) year, commencing on the date of the attachment's original purchase or lease. Attachments include, but are not limited to items such as: Electric Winch, Dozer Blade and Windshield.

**HOW TO OBTAIN SERVICE:** Warranty service is available, WITH PROOF OF PURCHASE, through your local authorized service dealer. To locate the dealer in your area:

#### **In the U.S.A.**

To locate the dealer in your area, check your Yellow Pages, or contact Cub Cadet LLC at P.O. Box 361131, Cleveland, Ohio 44136-0019, or call 1-877-282-8684, or log on to our Web site at [www.cubcadet.com](http://www.cubcadet.com).

#### **In Canada**

Contact MTD Products Limited, Kitchener, ON N2G 4J1, or call 1-800-668-1238 or log on to our Web site at [www.mtdcanada.com](http://www.mtdcanada.com).

This limited warranty does **not** provide coverage in the following cases:

- a. The engine or component parts thereof. These items may carry a separate manufacturer's warranty. Refer to applicable manufacturer's warranty for terms and conditions.

- b. Routine maintenance items such as lubricants, filters, tune-ups, brake adjustments, clutch adjustments and normal deterioration of the exterior finish due to use or exposure.
- c. Cub Cadet does not extend any warranty for products sold or exported outside of the United States and/or Canada, and their respective possessions and territories, except those sold through Cub Cadet's authorized channels of export distribution.
- d. Replacement parts that are not genuine Cub Cadet parts.
- e. Service completed by someone other than an authorized service dealer.
- f. Transportation charges and service calls.

**No implied warranty, including any implied warranty of merchantability of fitness for a particular purpose, applies after the applicable period of express written warranty above as to the parts as identified. No other express warranty, whether written or oral, except as mentioned above, given by any person or entity, including a dealer or retailer, with respect to any product, shall bind Cub Cadet. During the period of the warranty, the exclusive remedy is repair or replacement of the product as set forth above.**

**The provisions as set forth in this warranty provide the sole and exclusive remedy arising from the sale. Cub Cadet shall not be liable for incidental or consequential loss or damage including, without limitation, expenses incurred for substitute or replacement lawn care services or for rental expenses to temporarily replace a warranted product.**

Some states do not allow the exclusion or limitation of incidental or consequential damages, or limitations on how long an implied warranty lasts, so the above exclusions or limitations may not apply to you.

In no event shall recovery of any kind be greater than the amount of the purchase price of the product sold. **Alteration of safety features of the product shall void this warranty.** You assume the risk and liability for loss, damage, or injury to you and your property and/or to others and their property arising out of the misuse or inability to use the product.

This limited warranty shall not extend to anyone other than the original purchaser or to the person for whom it was purchased as a gift.

**HOW STATE LAW RELATES TO THIS WARRANTY:** This limited warranty gives you specific legal rights, and you may also have other rights that vary in different jurisdictions.

**IMPORTANT:** Owner must present Original Proof of Purchase to obtain warranty coverage.

**Cub Cadet LLC, P.O. BOX 361131 CLEVELAND, OHIO 44136-0019; Phone: 1-877-282-8684**  
**MTD Canada Limited - KITCHENER, ON N2G 4J1; Phone 1-800-668-1238**