

Supplement Sheet

The hardware (two hex screws and two flat washers) used to secure the Steering Wheel Column may be packed separately. Refer to the information below in place of instructions found in Set-up and Assembly section of your Operator's Manual.

Securing the Steering Wheel Column

The steering wheel column is tilted all the way back for shipping.

1. Place the steering wheel column in one of the two positions and secure in place with the hex screws and flat washers packed separately. See Figure 1.

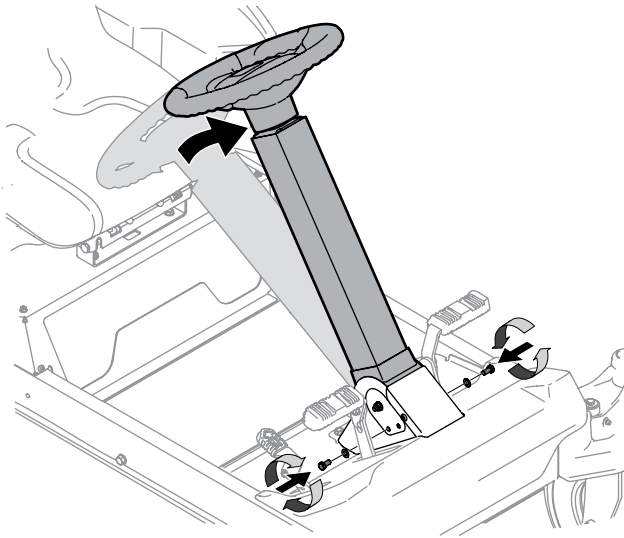


Figure 1

Securing the Lap Bars

The lap bars are tilted down for shipping.

1. Pivot the right lap bar upward and fasten it to the mounting bracket with a hex screw and flat washer packed separately. Refer to Figure 2. Do *not* tighten at this time.

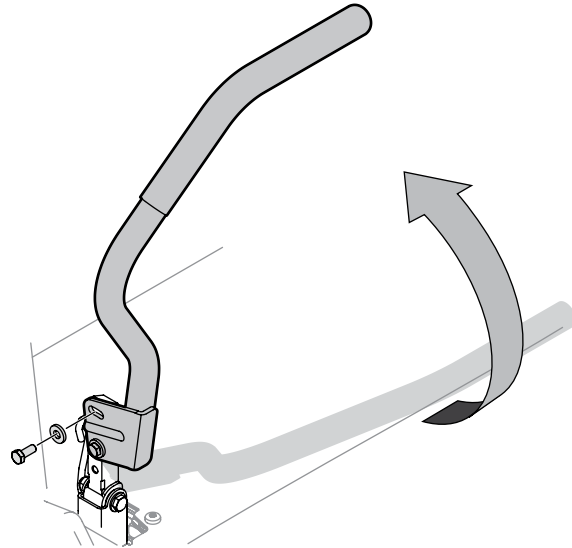


Figure 2

2. Repeat Step 1 on the left lap bar.
3. Pivot the lap bars into the desired operating position.
4. Using a ½" wrench, tighten the screw on the right side to secure the lap bar in place.
5. Align the left lap bar with the right lap bar. Tighten the screw on the left side to secure the lap bar in place.

⚠ CAUTION

Torque the screws down tightly to prevent the lap bars from slipping out of position.

MTD LLC, P.O. BOX 361131 CLEVELAND, OHIO 44136-0019