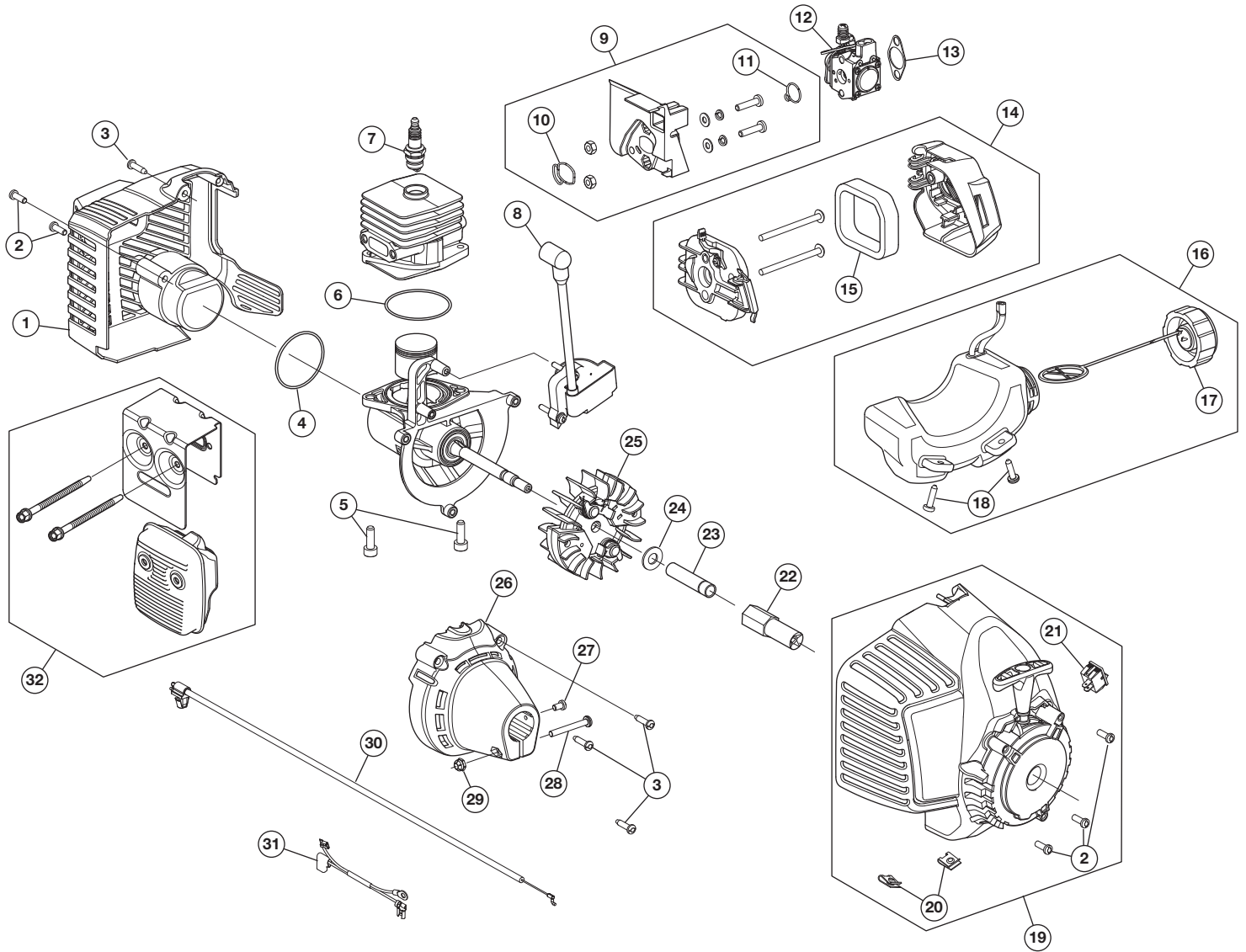


# REPLACEMENT PARTS - MODEL RM2560

## 2-CYCLE TRIMMER

PPN 41ED160G983



Item	Part No.	Description
1	753-06919	Rear Cover Assembly (includes 2 & 3)
2	791-181862	Housing Screw
3	791-181345	Cover Screw
4	753-06174	O-Ring
5	791-182723	Crankcase Bolt
6	753-06275	Crankcase O-Ring
7	753-06847	Spark Plug
8	753-06443	Module Assembly
9	753-06189	Insulator Assembly (includes 10 & 11)
10	753-06184	Insulator O-Ring
11	753-06185	Carburetor O-Ring
12	753-06423	Carburetor
13	753-06253	Air Cleaner Gasket
14	753-06415	Air Cleaner Cover Assembly (includes 15)
15	753-06417	Air Cleaner Filter
16	753-08751	Fuel Tank Assembly (includes 17 & 18)
17	791-182612	Fuel Tank Cap
18	9206A	Fuel Tank Screw

Item	Part No.	Description
19	753-08547	Starter Housing (includes 2, 20 & 21)
20	791-182366	U-shaped Nut
21	791-182405	Switch Assembly
22	711-06837	Shaft Adapter
23	753-06218	Spacer
24	753-06247	Washer
25	753-06175	Flywheel Assembly
26	753-06181	Clutch Cover (includes 3)
27	791-182519	Anti-rotation Screw
28	9689A	Clamp Screw
29	712-0161	Clamp Nut
30	746-05231	Throttle Cable
31	794-00127A	Lead Wires
32	753-06418	Muffler Assembly

\* Items Not Shown

\* 753-08347 Short Block Assembly (includes Crankcase, Cylinder, Piston, 4 - 8 & 23 - 25)

# REPLACEMENT PARTS - MODEL RM2560

## 2-CYCLE TRIMMER

PPN 41ED160G983

Item	Part No.	Description
1	753-08543	Throttle Housing Assembly (includes 2 & 3)
2	791-182690	Throttle Trigger Spring
3	753-06791	Throttle Trigger
4	753-08685	Upper Shaft Housing Assembly (includes 5)
5	753-06216	Upper Flexible Drive Shaft
6	710-06562	Screw
7	753-08042	D-Handle (includes 8)
8	753-06040	D-Handle Bolt
9	753-08686	Lower Shaft Housing Assembly
10	753-08360	Shield Assembly (includes 11 & 12)
11	753-04282	Shield Mounting Hardware
12	753-08355	Blade Assembly
13	753-06165	Gearbox Assembly (includes 14 - 19)
14	753-05698	Anti-Rotation Screw
15	753-04284	Outer Spool Assembly (includes 16)
16	791-610660	Retainer
17	791-610317B	Spring
18	753-1155	Inner Reel
19	791-153066B	Bump Head Knob Assembly

\* Items Not Shown

\* 753-1156 Reel & Line Assembly

