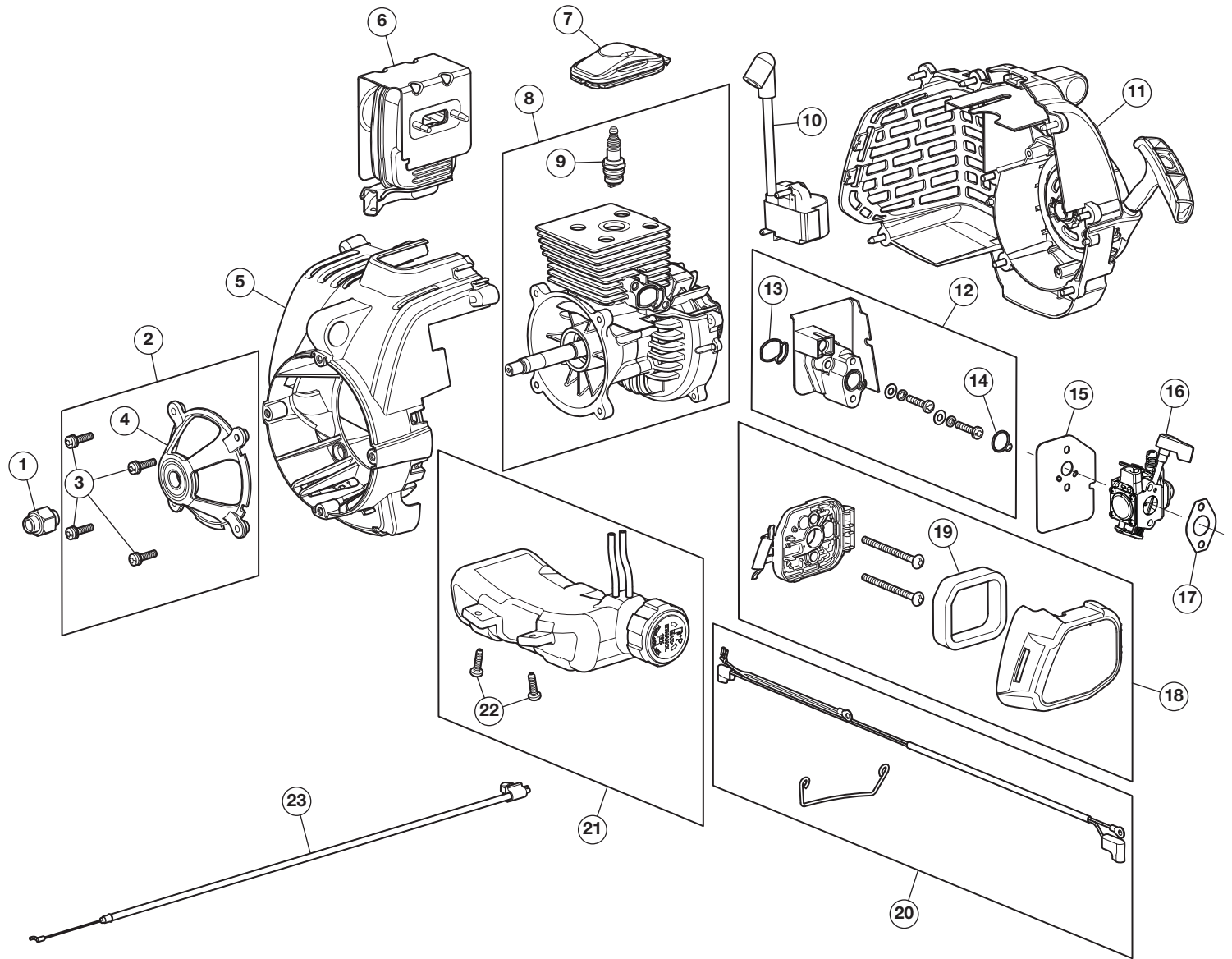


# REPLACEMENT PARTS - MODEL TB2MB

## ELECTRIC START CAPABLE 2-CYCLE GAS BLOWER

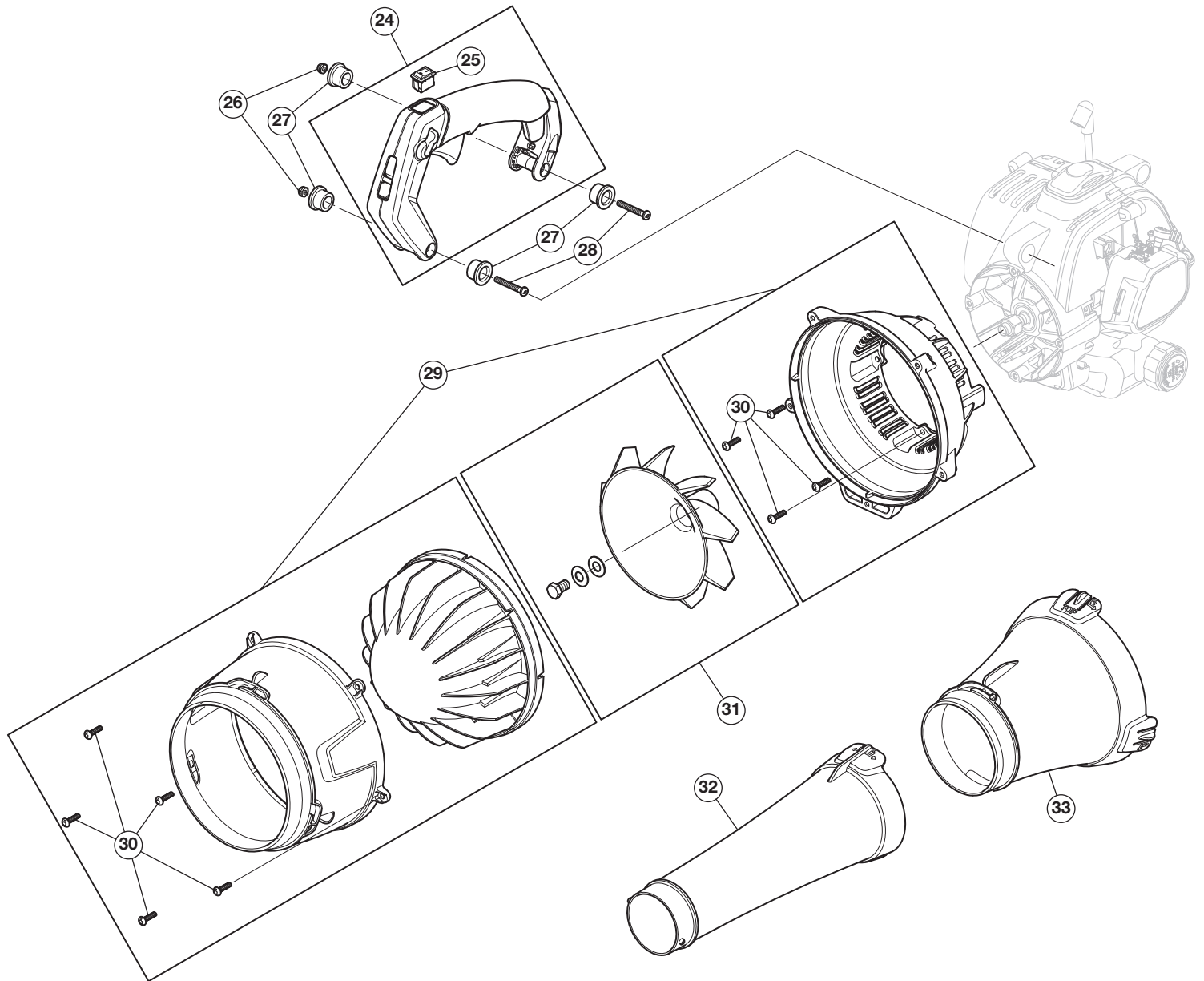
PPN 41CS2MEB766



Item	Part No.	Description	Item	Part No.	Description
1	753-05705	Adapter	13	753-06184	Insulator O-Ring
2	753-08280	Bearing Holder Assembly (includes 3 and 4)	14	753-06185	Carburetor O-Ring
3	710-04742A	Screw (4)	15	721-04882	Gasket
4	753-08281	Bearing Holder	16	753-06288	Carburetor
5	753-08282	Front Engine Cover Assembly	17	753-06253	Carburetor Gasket
6	751-14556	Muffler Assembly	18	753-06500	Air Cleaner Assembly
7	753-06362	Spark Plug Cover	19	753-06417	Air Cleaner Filter
8	753-08283	Short Block Assembly (includes 9)	20	753-08289	Lead Wire Assembly
9	753-06847	Spark Plug	21	753-08288	Fuel Tank Assembly (includes 22)
10	753-08284	Module Assembly	22	791-181930	Screw (x2)
11	753-08286	Rear Engine Cover Assembly	23	746-05128	Throttle Cable
12	753-08287	Insulator Assembly (includes 13 and 14)			

# REPLACEMENT PARTS - MODEL TB2MB ELECTRIC START CAPABLE 2-CYCLE GAS BLOWER

PPN 41CS2MEB766



Item	Part No.	Description
24	753-08292	Handle Assembly
25	791-182405	Switch
26	712-0161	Nut (x2)
27	753-08293	Isolator (x4)
28	753-04003	Screw (x2)

Item	Part No.	Description
29	753-09824	Fan Housing Assembly (includes 30)
30	710-04194	Screw (x9)
31	753-08290	Fan Assembly
32	731-09977A	Lower Tube
33	731-09978	Upper Tube