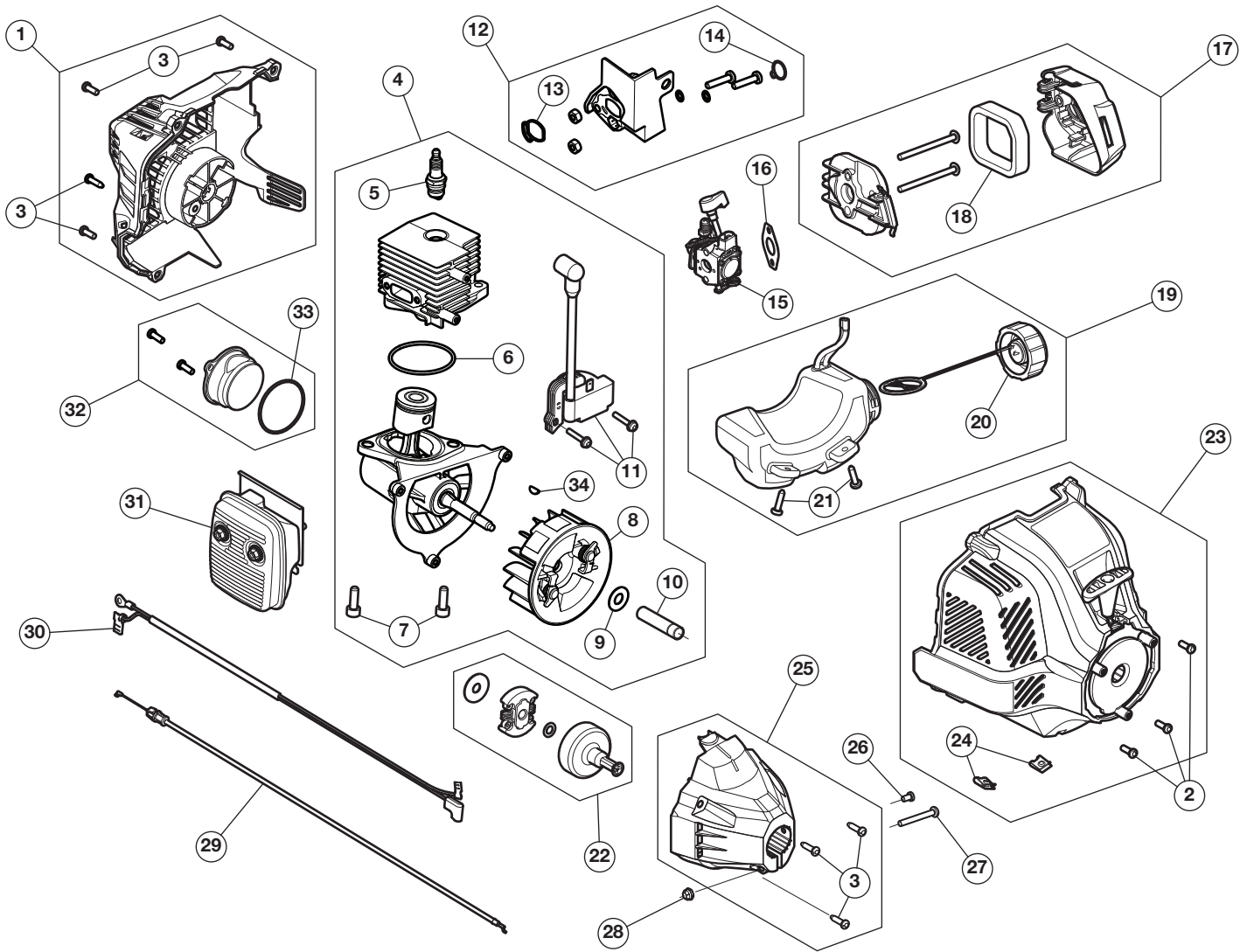


REPLACEMENT PARTS - MODEL TB25SH

2-CYCLE TRIMMER

PPN 41AD25SH766



Item	Part No.	Description	Item	Part No.	Description
1	753-10406	Rear Cover Assembly (includes 3)	18	753-06417	Air Cleaner Filter
2	791-182195	Rear Housing Screw	19	753-06183	Fuel Tank Assembly (includes 20 & 21)
3	710-04194	Cover Screw	20	791-182612	Fuel Tank Cap
4	841-014182S	Short Block Assem. (incl. 5 - 11, 32 & 34)	21	791-181930	Fuel Tank Screw
5	753-06847	Spark Plug	22	753-05860	Clutch Assembly
6	753-09085	Crankcase O-Ring	23	841-014381S	Starter Housing (includes 2 & 24)
7	710-06241	Crankcase Bolt	24	791-182366	U-shaped Nut
8	753-09125	Flywheel Assembly	25	753-10405	Clutch Cover (includes 3)
9	753-06247	Washer	26	791-182519	Anti-rotation Screw
10	750-04434	Spacer	27	753-04291	Clamp Screw
11	753-10464	Module Assembly	28	712-0161	Clamp Nut
12	753-09105	Insulator Assembly (includes 13 & 14)	29	746-06311	Throttle Cable
13	753-06184	Insulator O-Ring	30	794-00244	Lead Wires
14	721-04972	Carburetor O-Ring	31	841-014184S	Muffler Assembly
15	753-06288	Carburetor	32	841-014301S	Electric Starter Cover Assem. (includes 33)
16	753-06253	Carburetor Gasket	33	753-09086	O-Ring
17	753-10484	Air Cleaner Cover Assem. (includes 18)	34	914-04016	Flywheel Key

REPLACEMENT PARTS - MODEL TB25SH 2-CYCLE TRIMMER

PPN 41AD25SH766

Item	Part No.	Description
35	753-08344	Throttle Housing Assembly (includes 36 - 39)
36	731-08433C-10	Throttle Tigger Lock-Out
37	791-182405	Throttle Switch Assembly
38	731-04970B-10	Throttle Trigger
39	753-05007	Throttle Trigger Spring
40	753-06880	Upper Shaft Housing Assembly
41	753-08042	D-Handle (includes 42)
42	753-06040	D-Handle Bolt
43	753-1190	Split Boom Coupler Assembly (includes 44)
44	791-182057	Anti-Rotation Screw
45	731-08926	Hanger
46	753-08356	Lower Shaft Housing Assembly
47	753-05267	Lower Flexible Drive Shaft
48	841-032854S	Gearbox Assembly (includes 49)
49	7039	Gearbox Anti-Rotation Screw
50	753-08360	Shield Assembly (includes 51 & 52)
51	753-04282	Shield Mounting Hardware
52	753-08355	Blade Assembly
53	753-08169	Cutting Head Assembly (includes 54)
54	753-08170	Glide Cap

