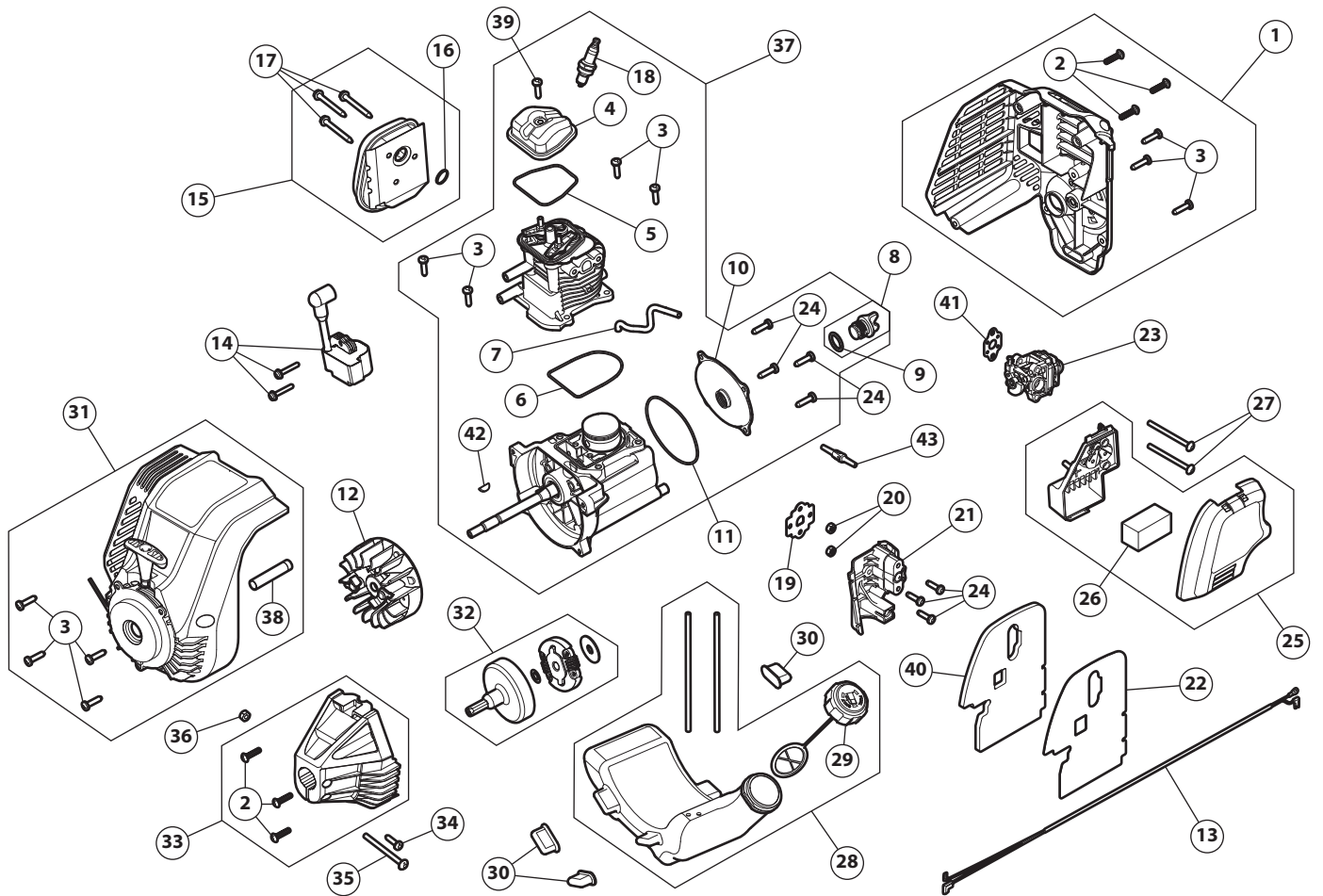


REPLACEMENT PARTS - MODEL TB304H

4-CYCLE TRIMMER

PPN 41BD304H766



Item	Part No.	Description	Item	Part No.	Description
1	753-09884	Engine Cover Assembly (includes 2 & 3)	23	751-22423	Carburetor w/Primer
2	710-04194	Cover Screw	24	791-181003	Screw
3	710-04604	Screw	25	841-0362105	Air Cleaner Cover Assembly (incl. 26)
4	753-05901	Rocker Cover	26	753-05254	Air Filter
5	753-05902	Rocker Cover O-Ring	27	710-04517	Screw
6	753-05910	Cylinder O-Ring	28	753-06797	Fuel Tank Assembly (includes 29)
7	753-10205	Breather Hose	29	753-1229	Fuel Cap
8	753-05408	Oil Plug (includes 9)	30	753-05259	Fuel Tank Pads
9	791-182290	Oil Plug O-Ring	31	753-10204	Starter Housing Assembly (incl. 3 & 38)
10	753-06259	Crankcase Cover	32	753-06281	Clutch Assembly
11	753-05238	Crankcase Cover O-ring	33	753-09887	Clutch Cover (includes 2)
12	753-06221	Flywheel Assembly	34	791-182519	Anti-Rotation Screw
13	753-05264	Lead Wires	35	753-04003	Clamp Screw
14	753-11255	Module Assembly	36	712-0161	Nut
15	753-05245	Muffler Assembly (includes 16 & 17)	37	841-0214415	Shortblock Assem. (incl. 3-9, 11, 18, 24 & 39)
16	753-05244	Muffler Gasket	38	750-04434	Spacer
17	710-04809	Muffler Screw	39	791-181025	Rocker Cover Screw
18	794-00082	Spark Plug	40	753-06949	Heat Shield
19	753-05247	Insulator Gasket	41	791-181709	Gasket
20	712-04099	Nut	42	914-04016	Flywheel Key
21	841-020801S	Insulator	43	753-10844	Breather Assembly
22	753-06948	Carburetor Gasket			

REPLACEMENT PARTS - MODEL TB304H

4-CYCLE TRIMMER

PPN 41BD304H766

Item	Part No.	Description
44	753-08344	Throttle Housing Assembly (incl. 45 - 48)
45	731-08433C-10	Throttle Trigger Lock-Out
46	791-182405	Trigger Switch Assembly
47	753-05007	Throttle Trigger Spring
48	731-04970B-10	Throttle Trigger
49	746P04758	Throttle Cable Assembly
50	753-06880	Upper Shaft Housing Assembly
51	731-08926	Hanger
52	753-06039	Handle (includes 53)
53	753-06040	Handle Bolt
54	753-1190	Split Boom Coupler (includes 55)
55	791-182057	Anti-Rotation Screw
56	753-08356	Lower Shaft Housing Assembly
57	753-05267	Lower Flexible Drive Shaft
58	753-08180	Gearbox Assembly (includes 59 - 61)
59	791-182519	Anti-rotation Screw
60	791-182195	Gearbox Mounting Hardware
61	748-05052	Cutting Head Driver
62	841-032093S	Shield Assembly (includes 63 & 64)
63	753-04282	Shield Mounting Hardware
64	753-08355	Blade Assembly
65	841-015719S	Cutting Head Assembly (includes 66)
66	731-10783-1	Bump Knob

