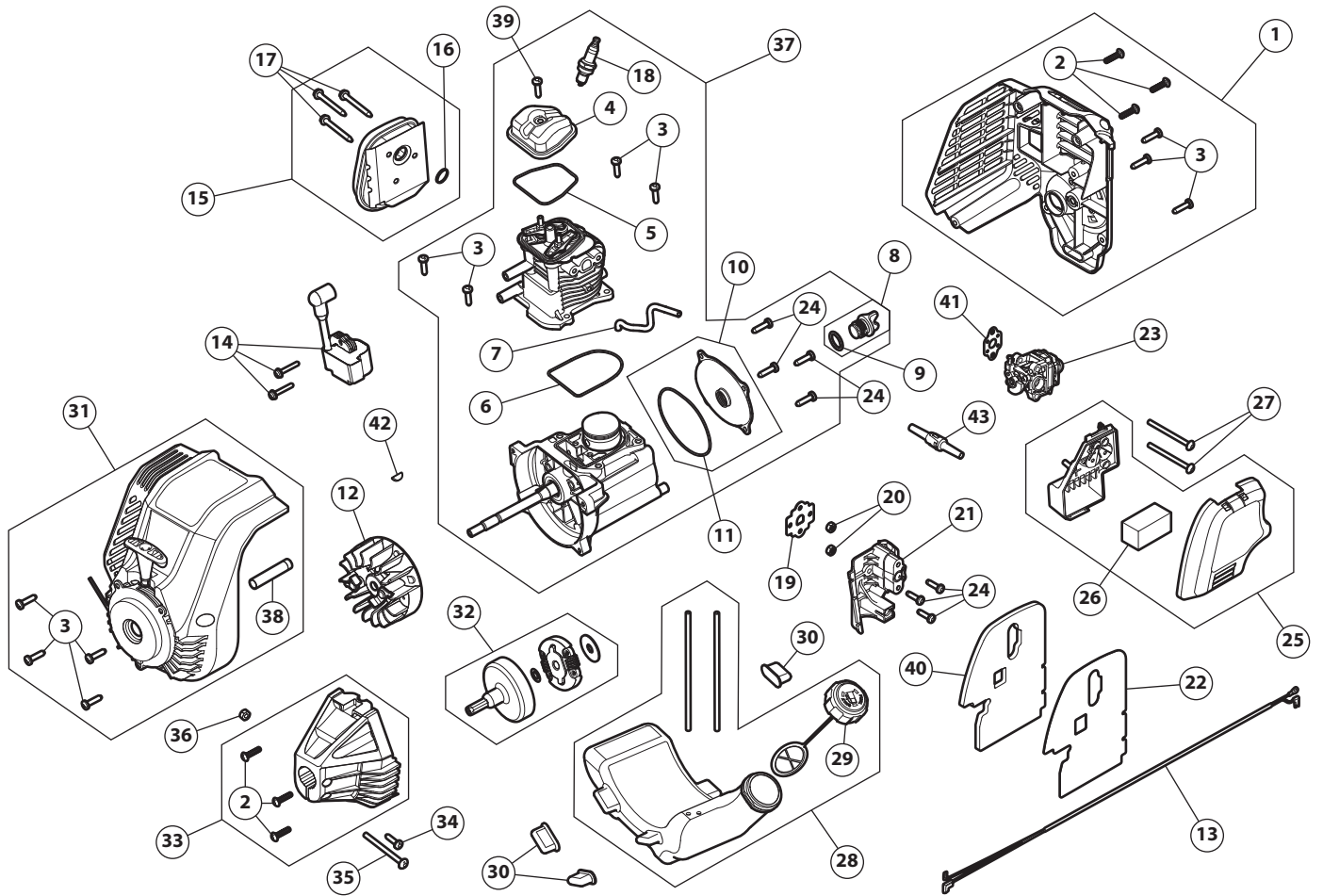


REPLACEMENT PARTS - MODEL TB304BC

ELECTRIC START CAPABLE 4-CYCLE BRUSHCUTTER / TRIMMER

PPN 41BD304S866



| Item | Part No. | Description | Item | Part No. | Description |
|------|-------------|----------------------------------------|------|-------------|-----------------------------------------------|
| 1 | 753-09884 | Engine Cover Assembly (includes 2 & 3) | 23 | 751-22423 | Carburetor w/Primer |
| 2 | 710-04194 | Cover Screw | 24 | 791-181003 | Screw |
| 3 | 710-04604 | Screw | 25 | 841-036210S | Air Cleaner Cover Assembly (incl. 26) |
| 4 | 753-05901 | Rocker Cover | 26 | 753-05254 | Air Filter |
| 5 | 753-05902 | Rocker Cover O-Ring | 27 | 710-04517 | Screw |
| 6 | 753-05910 | Cylinder O-Ring | 28 | 753-06797 | Fuel Tank Assembly (includes 29) |
| 7 | 753-10205 | Breather Hose | 29 | 753-1229 | Fuel Cap |
| 8 | 753-05408 | Oil Plug (includes 9) | 30 | 753-05259 | Fuel Tank Pads |
| 9 | 791-182290 | Oil Plug O-Ring | 31 | 753-10204 | Starter Housing Assembly (incl. 3 & 38) |
| 10 | 841-020721S | Crankcase Cover (includes 11) | 32 | 753-06281 | Clutch Assembly |
| 11 | 753-05238 | Crankcase Cover O-ring | 33 | 753-09887 | Clutch Cover (includes 2) |
| 12 | 753-06221 | Flywheel Assembly | 34 | 791-182519 | Anti-Rotation Screw |
| 13 | 725-15385 | Lead Wires | 35 | 753-04003 | Clamp Screw |
| 14 | 753-11264 | Module Assembly | 36 | 712-0161 | Nut |
| 15 | 753-05245 | Muffler Assembly (includes 16 & 17) | 37 | 841-020761S | Shortblock Assembly (incl. 3-11, 18, 24 & 39) |
| 16 | 753-05244 | Muffler Gasket | 38 | 750-04434 | Spacer |
| 17 | 710-04809 | Muffler Screw | 39 | 791-181025 | Rocker Cover Screw |
| 18 | 794-00082 | Spark Plug | 40 | 753-06949 | Heat Shield |
| 19 | 753-05247 | Insulator Gasket | 41 | 791-181709 | Gasket |
| 20 | 712-04099 | Nut | 42 | 914-04016 | Flywheel Key |
| 21 | 841-020801S | Insulator | 43 | 753-10844 | Breather Assembly |
| 22 | 753-06948 | Carburetor Gasket | | | |

REPLACEMENT PARTS - MODEL TB304BC

ELECTRIC START CAPABLE 4-CYCLE BRUSHCUTTER / TRIMMER

PPN 41BD304S866

| Item | Part No. | Description |
|------|---------------|----------------------------------------------|
| 44 | 753-09888 | Throttle Housing Assembly (includes 44 - 49) |
| 45 | 731-08433C-10 | Throttle Trigger Lock-Out |
| 46 | 791-182405 | Trigger Switch Assembly |
| 47 | 753-05007 | Throttle Trigger Spring |
| 48 | 731-04970B-10 | Throttle Trigger |
| 49 | 732-06186 | Shoulder Support Clip |
| 50 | 791-181099 | J-Handle Assembly |
| 51 | 791-683295 | J-Handle Bracket Assembly (includes 52 - 57) |
| 52 | 791-181811 | Screw |
| 53 | 791-181812 | Upper Handle Clamp |
| 54 | 791-181813 | Middle Handle Clamp |
| 55 | 791-181814 | Lower Handle Clamp |
| 56 | 791-181815 | Nut |
| 57 | 791-182519 | Anti-Rotation Screw |
| 58 | 753-06682 | Upper Drive Shaft Housing Assembly |
| 59 | 731-08926 | Hanger |
| 60 | 753-06789 | Lower Drive Shaft Housing Assembly |
| 61 | 753-05267 | Lower Flexible Drive Shaft |
| 62 | 753-1190 | Split Boom Coupler (includes 63) |
| 63 | 791-182057 | Anti-Rotation Screw |
| 64 | 791-182200 | Shield Mount Screw Assembly |
| 65 | 753-11244 | 2 Piece Gearbox Assembly (includes 66 - 69) |
| 66 | 791-182195 | Gearbox Mounting Hardware |
| 67 | 791-182519 | Anti-Rotation Screw |
| 68 | 791-182196 | Blade Driver |
| 69 | 753-04348 | Palnut |
| 70 | 791-147492 | Blade Shield / Shield Mount |
| 71 | 753-1191 | Shield Assembly (includes 72) |
| 72 | 791-682061 | Blade Assembly |
| 73 | 791-683304 | Shield Mounting Screw |
| 74 | 841-012478S | Cutting Head Assembly (includes 75) |
| 75 | 753-08563 | Bump Knob |
| 76 | 746P04758 | Throttle Cable Assembly |
| 77 | 791-145873B | 4-Tooth Blade |
| 78 | 791-147490 | Retaining Washer |
| 79 | 712-04105 | Nut |

Items Not Shown

| | | |
|---|-------------|------------------------------------------|
| * | 791-180014B | Blade Retaining Kit (includes 78 and 79) |
| * | 791-613226 | Locking Rod Tool |
| * | 791-682075B | Shoulder Harness |

