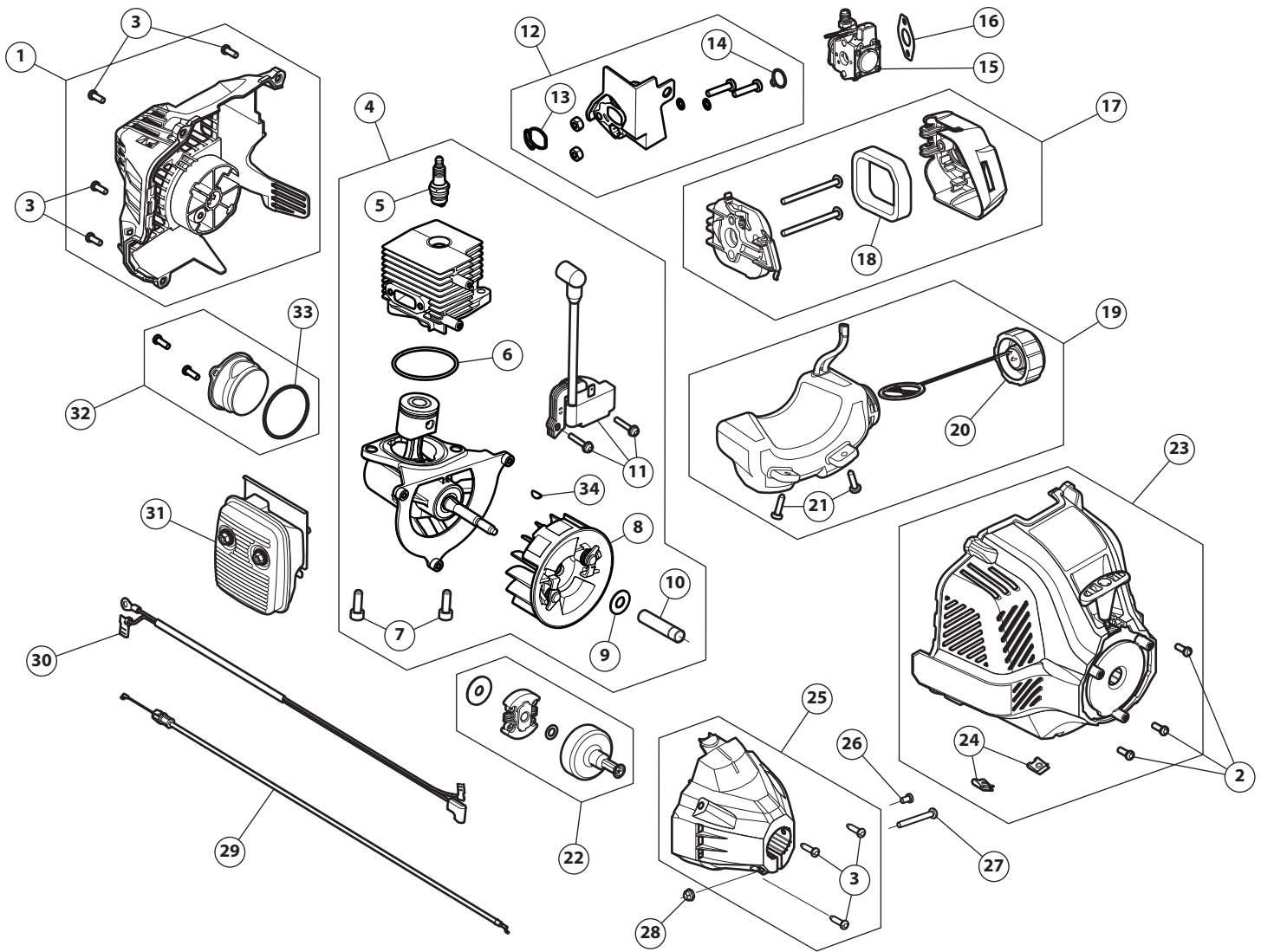


REPLACEMENT PARTS - MODEL TBE252

2-CYCLE LAWN EDGER

PPN 41BDE252766

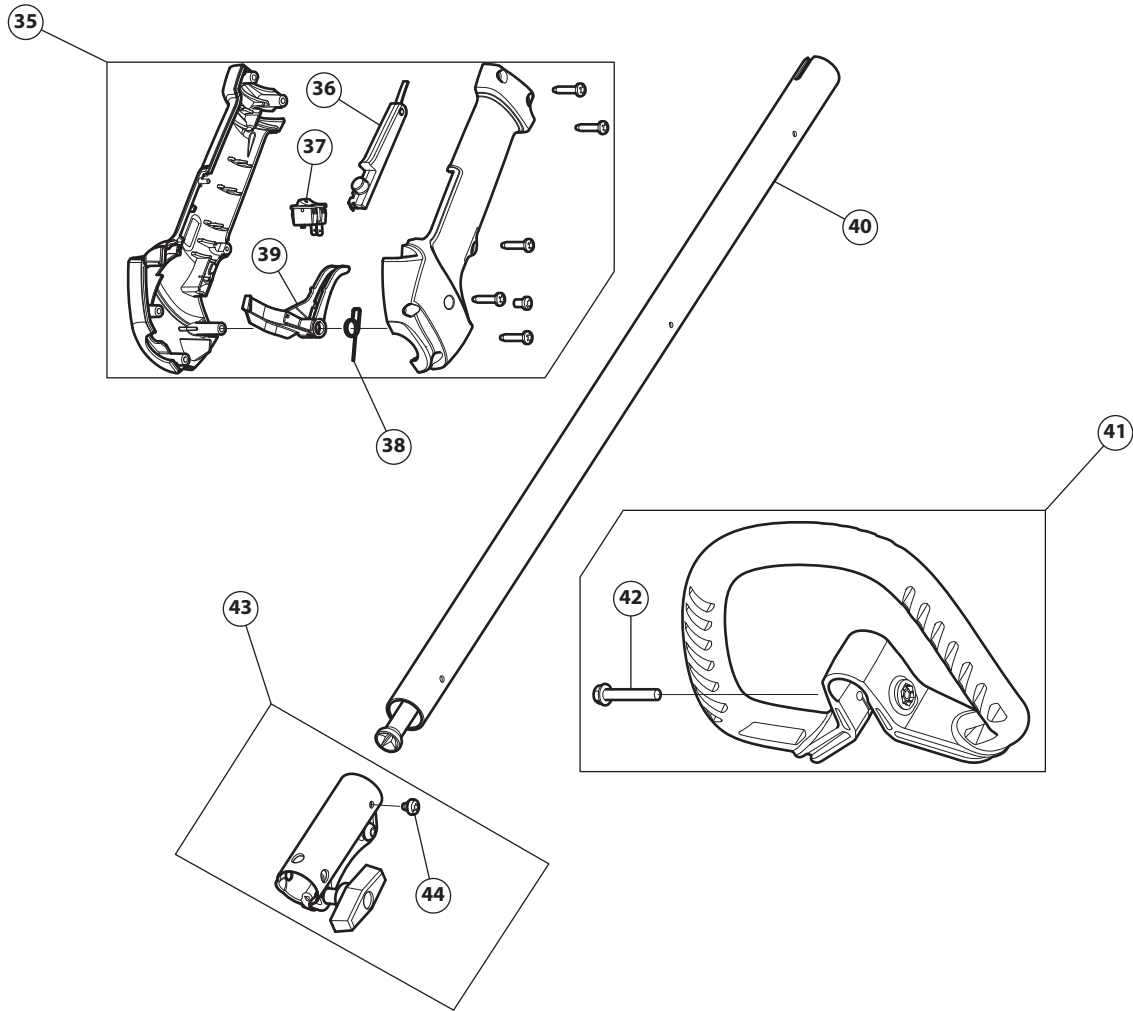


| Item | Part No. | Description | Item | Part No. | Description |
|------|-------------|---|------|-------------|--|
| 1 | 753-10406 | Rear Cover Assembly (includes 3) | 18 | 753-06417 | Air Cleaner Filter |
| 2 | 791-182195 | Housing Screw | 19 | 753-06183 | Fuel Tank Assembly (includes 20 & 21) |
| 3 | 710-04194 | Cover Screw | 20 | 791-182612 | Fuel Tank Cap |
| 4 | 841-0141825 | Short Block Assembly (incl. 5 - 11 & 32 - 34) | 21 | 9206A | Fuel Tank Screw |
| 5 | 753-06847 | Spark Plug | 22 | 753-05860 | Clutch Assembly |
| 6 | 753-09085 | Crankcase O-Ring | 23 | 841-0143815 | Starter Housing (includes 2 & 24) |
| 7 | 710-06241 | Crankcase Bolt | 24 | 791-182366 | U-shaped Nut |
| 8 | 753-09125 | Flywheel Assembly | 25 | 753-10405 | Clutch Cover (includes 3) |
| 9 | 753-06247 | Washer | 26 | 791-182519 | Anti-rotation Screw |
| 10 | 750-04434 | Spacer | 27 | 2986 | Clamp Screw |
| 11 | 753-10464 | Module Assembly | 28 | 712-0161 | Clamp Nut |
| 12 | 753-09105 | Insulator Assembly (includes 13 & 14) | 29 | 746-06311A | Throttle Cable |
| 13 | 721-04973 | Insulator O-Ring | 30 | 794-00244 | Lead Wires |
| 14 | 721-04972 | Carburetor O-Ring | 31 | 841-0141845 | Muffler Assembly |
| 15 | 753-06190 | Carburetor | 32 | 841-0143015 | Crankcase Cover Assembly (includes 33) |
| 16 | 753-06253 | Carburetor Gasket | 33 | 753-09086 | O-Ring |
| 17 | 753-10524 | Air Cleaner Cover Assembly (includes 18) | 34 | 914-04016 | Flywheel Key |

REPLACEMENT PARTS - MODEL TBE252

2-CYCLE LAWN EDGER

PPN 41BDE252766

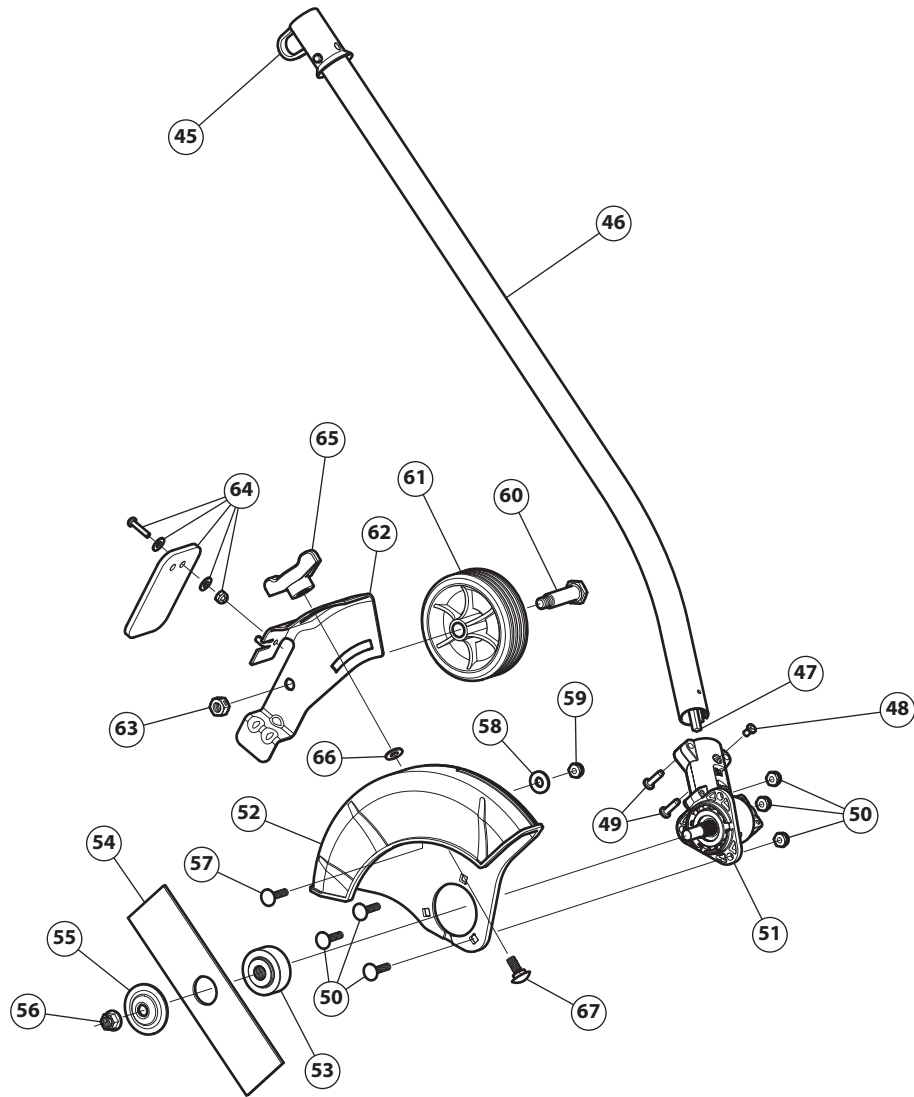


| Item | Part No. | Description |
|------|---------------|--|
| 35 | 753-08344 | Throttle Housing Assembly (includes 36 - 39) |
| 36 | 731-08433C-10 | Throttle Trigger Lock-Out |
| 37 | 791-182405 | Trigger Switch Assembly |
| 38 | 753-05007 | Throttle Trigger Spring |
| 39 | 731-04970B-10 | Throttle Trigger |
| 40 | 753-06880 | Upper Shaft Housing Assembly |
| 41 | 753-06039 | Handle Assembly (includes 42) |
| 42 | 753-06040 | Handle Bolt |
| 43 | 753-1190 | Split Boom Coupler (includes 44) |
| 44 | 791-182057 | Anti-Rotation Screw |

REPLACEMENT PARTS - MODEL TBE252

2-CYCLE LAWN EDGER

PPN 41BDE252766



| Item | Part No. | Description | Item | Part No. | Description |
|------|------------|-------------------------|------|------------|-----------------------------|
| 45 | 1831 | Hanger | 57 | 710-04063 | Wheel Bracket Mounting Bolt |
| 46 | 753-08036 | Boom Assembly | 58 | 3010 | Washer |
| 47 | 753-05267 | Drive Shaft | 59 | 2952 | Nut |
| 48 | 791-182519 | Anti-Rotation Screw | 60 | 791-180776 | Shoulder Bolt |
| 49 | 791-182195 | Boom Mounting Hardware | 61 | 6356 | Wheel |
| 50 | 753-1217 | Guard Mounting Hardware | 62 | 753-08021 | Edger Guide |
| 51 | 753-04258 | Gearbox Assembly | 63 | 712-3000 | Nut |
| 52 | 753-08019 | Blade Guard | 64 | 753-08020 | Deflector (with Hardware) |
| 53 | 792-10785 | Spacer | 65 | 720-04124 | Edger Guide Knob |
| 54 | 742-05631 | Blade | 66 | 736-04107 | Washer |
| 55 | 791-147490 | Blade Clamp Washer | 67 | 710-0451 | Bolt |
| 56 | 712-04105 | Blade Retainer Nut | | | |