

SUPPLEMENT SHEET

Date: January 24, 2024

Subject: Rear Tire Removal/Replacement

Model(s): Pro Z 900 Series

The instructions in this supplement sheet replace the instructions in the Rear Tire Removal/Replacement section of the Operator's Manual.

PRODUCT CARE (PAGE 31-32)

Rear Tire Removal/Replacement

To remove the tire follow these steps:

1. Remove the four outer lug nuts (a) to remove the outer wheel (Figure 1).

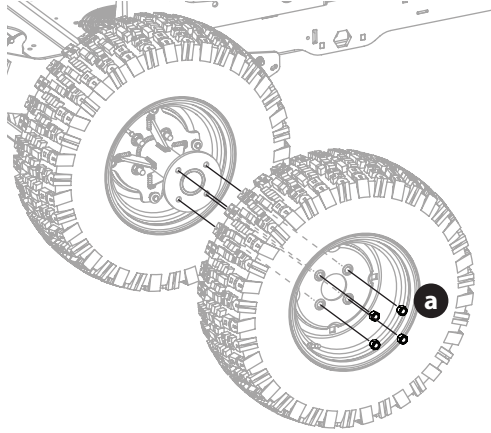


Figure 1

2. If necessary, remove the dual wheel adapter (a) by removing the four flange lock nuts (b) (Figure 2).

NOTE: The inner wheel can be removed without removing the dual wheel adapter.

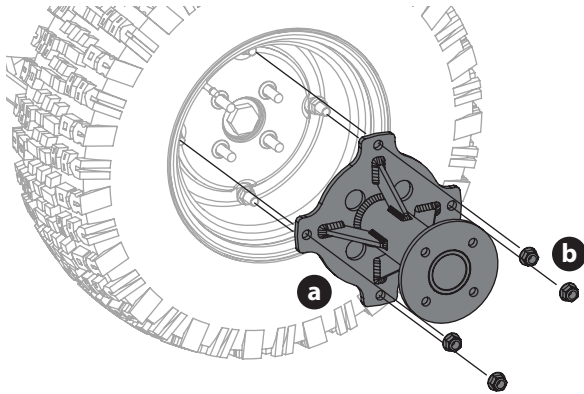


Figure 2

3. Remove the four lug nuts (a) to remove the inner wheel (Figure 3).
4. If replacing the inner tire, remove the four hex screws (b), washers (c) and jam nuts (d) that hold the mounting screws in place for the dual wheel adapter (Figure 3).

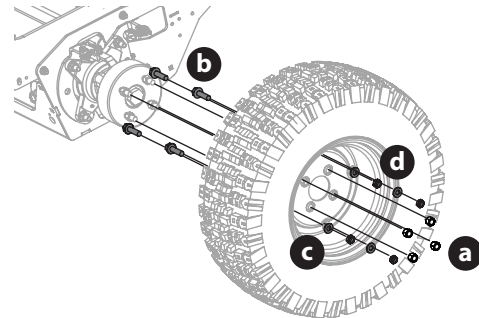


Figure 3

5. Reinstall the tires by reversing the previous steps. Inner wheel lug nuts should be tightened to 135 ft-lbs (183 N-m), outer wheel lug nuts should be tightened to 90 ft-lbs (122 N-m) and the jam nuts should be tightened to 42-48 ft-lbs (57-65 N-m).

