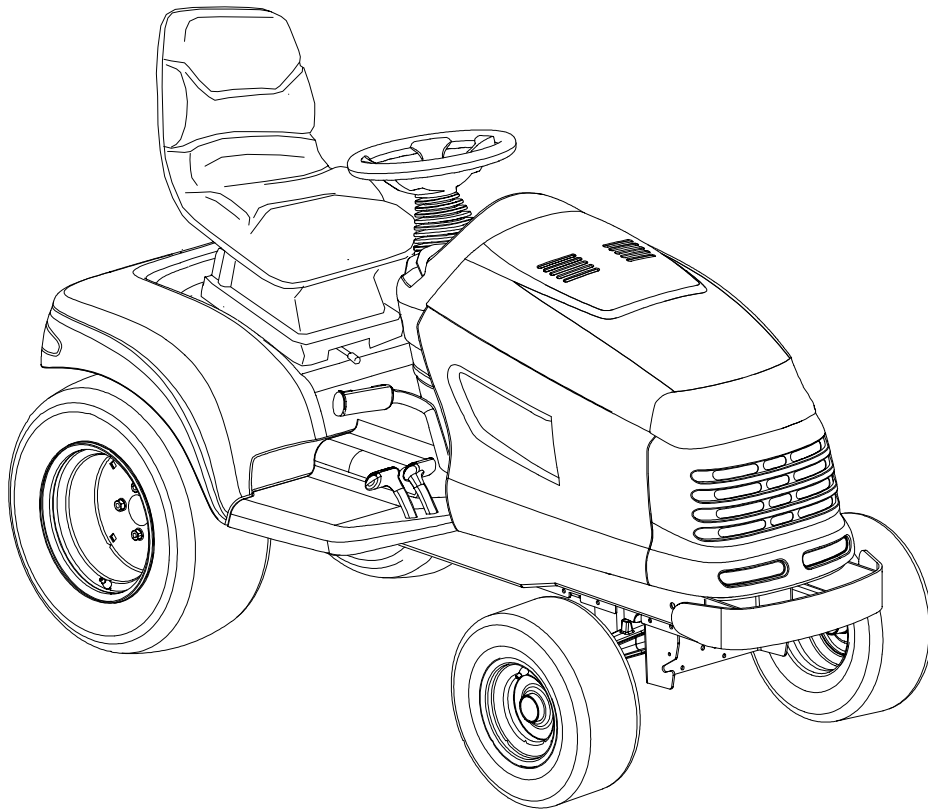


Cub Cadet

Parts Manual



Series **3000**

TRACTOR

Model 3206

CUB CADET LLC P.O. BOX 361131 CLEVELAND, OHIO 44136-0019 [www.cubcadet.com]

PRINTED IN U.S.A.
ECO 07602

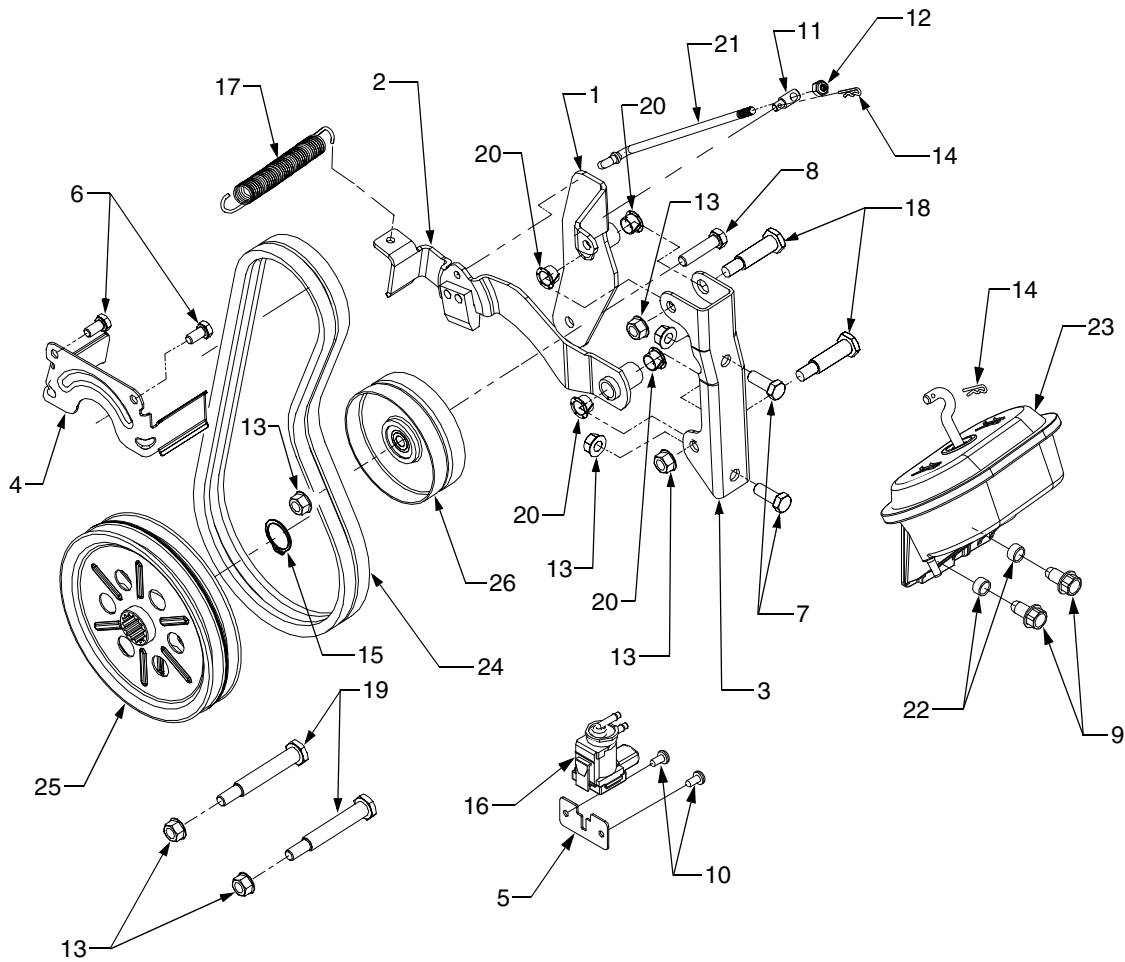
FORM NO. 770-10519A
(12/01)

TABLE OF CONTENTS

DESCRIPTION	PAGE
Axle, Front	14
Baffles, Air	16
Battery	28
Brake Assembly	8
Brake Pedal and Linkage	4
Controls	
Drive Pedals and Linkage	4
Engine Control Cables	16
Cable Handles	27
Hydraulic Lift	12
Dash Panel	27
Driveshaft	16
Electrical	
Harness, Wire	16
Interlock Switches	16
Switches, Dash Panel	27
Engine Mounting	16
Engine	
Air Cleaner	26
Blower Housing	21
Breather	20
Carburetor	24
Control Bracket	25
Crankshaft	18
Cylinder Assembly	18
Cylinder Heads	20
Electrical	22
Flywheel	22
Fuel Pump	20
Oil Filter	19
Oil Pump	19
Pistons	18
Starter	23
Valves	20

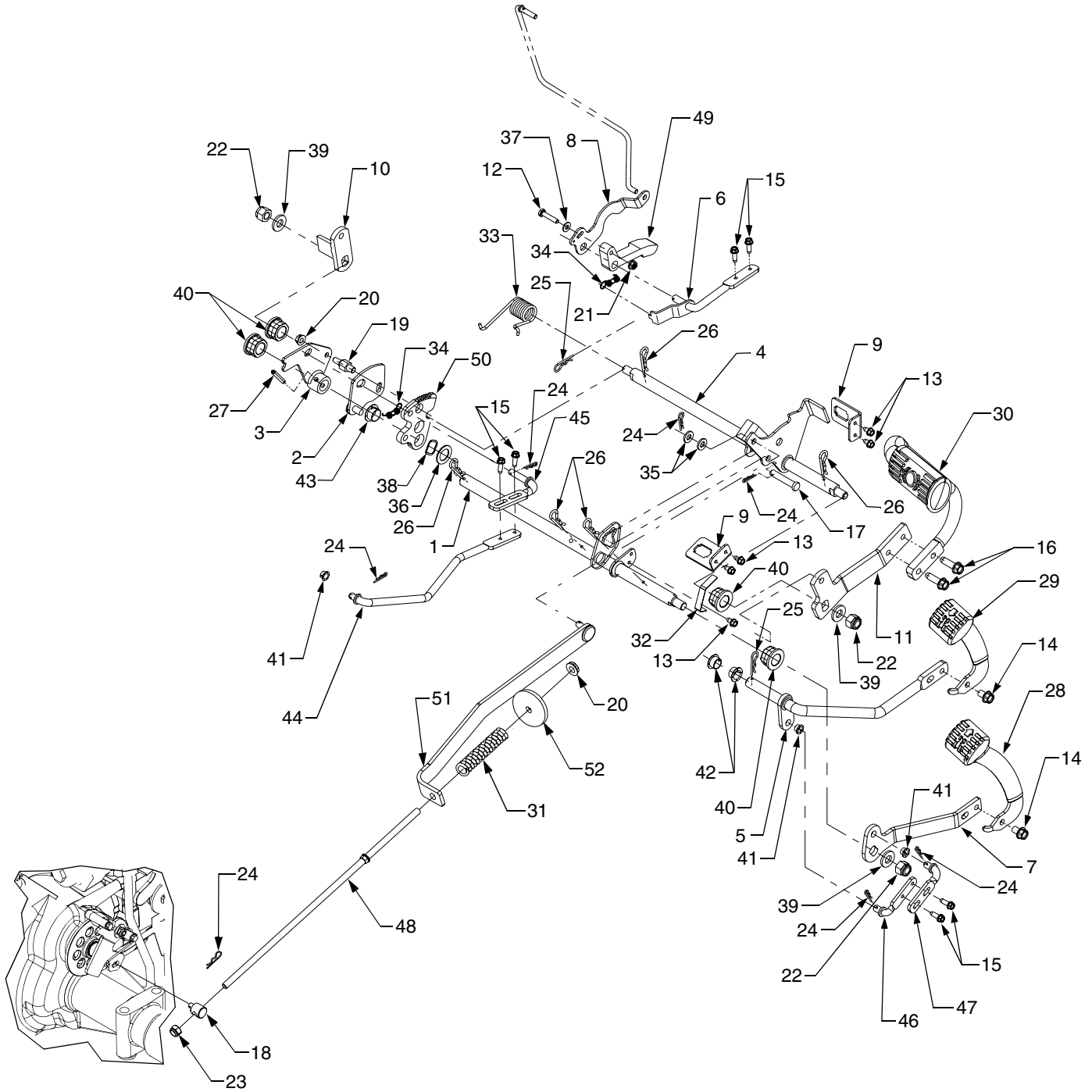
DESCRIPTION	PAGE
Fender and Running Board	32
Frame	33
Fuel Tank	34
Grille	30
Hood	30
Hydrostatic Transmission	10
Hydraulic Lines	12
Lift Linkage	15
Lift Valve	12
Muffler	16
Pedestal	28
PTO, Front	3
Seat	29
Side Panels	30
Steering	
Lower Steering	13
Pump, Hydraulic Steering	13
Steering Wheel	27
Upper Steering	28
Transmission	
Neutral Linkage	6
Oil Filter	8
Transmission Mounting	6
Transmission Differential	8
Wheels	35

FRONT PTO



REF. NO.	PART NUMBER	CODE	DESCRIPTION	QTY.	REF. NO.	PART NUMBER	CODE	DESCRIPTION	QTY.
1	603-0442	0637	Bracket, Idler	1	13	712-0431		Nut, Flange Lock, 3/8-16	7
2	759-3867		Bracket Assembly, Brake	1	14	714-0104		Pin, Internal Cotter	2
3	703-3009	0637	Bracket, PTO Mounting	1	15	716-0102		Snap Ring, 1.0 Dia Shaft	1
4	703-3165	0637	Belt Guide	1	16	725-3278		Solenoid, Vacuum Actuator	1
5	703-3812	0716	Bracket, Solenoid Mounting	1	17	732-0470A		Spring, Extension, .530 x 4.74 ...	1
6	710-0237		Screw, Hex Cap	2	18	738-0213		Shoulder Screw, .498 x 1.45	2
			5/16-24 x .625 GR5		19	738-3056		Shoulder Screw	2
7	710-0514		Screw, Hex Cap	2	20	741-0491		Bearing, Nylon Flange	4
			3/8-16 x 1.0 GR5		21	747-3322		Rod, PTO Brake	1
8	710-0520		Screw, Hex Cap	1	22	750-0526		Spacer, .380 x .5 x .265	2
			3/8-16 x 1.5 GR5		23	751-3173		Vacuum Actuator	1
9	710-0623		Screw, Hex Wash. Hd. Tapp	2	24	754-3084		V-Belt, A-Section x 37.63	1
			3/8-16 x .75					(Set of two belts)	
10	710-0748		Screw, Phil. Hd. Tapp	2	25	756-3092		Pulley, PTO Drive. 6.75-Double .	1
			#12-14 x .5		26	756-3094		Pulley, Flat Idler, 4.0	1
11	711-1196		Ferrule, Brake Adjustment	1					
12	712-0324		Nut, Hex Insert Lock, 1/4-20	1					

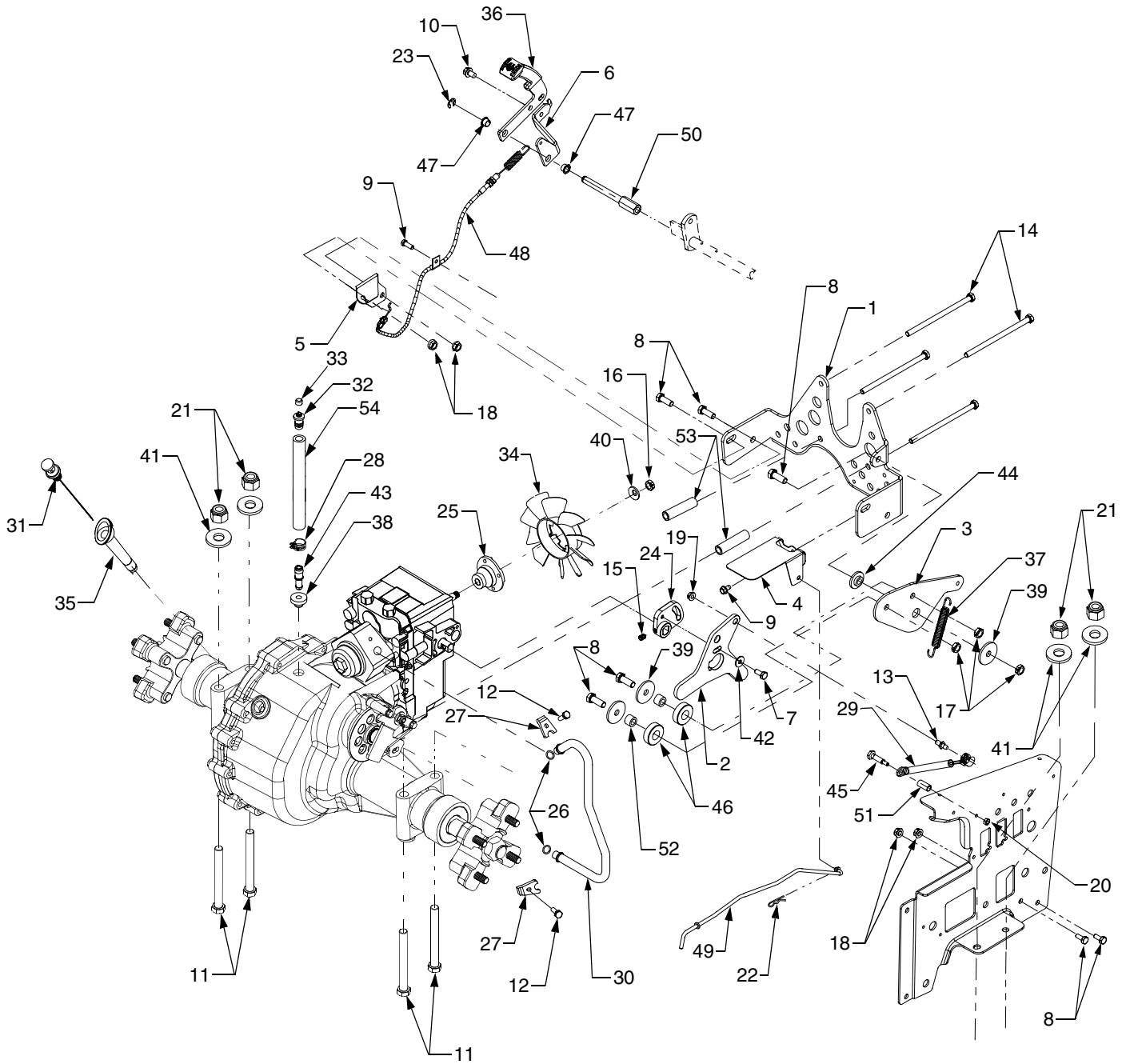
BRAKE AND CONTROL PEDALS



BRAKE AND CONTROL PEDALS

REF. NO.	PART NUMBER	CODE	DESCRIPTION	QTY.
1	603-0379		Shaft Assembly, Pedal	1
2	603-0421A		Plate, Disengagement	1
3	603-0437	0637	Cam, Clutch	1
4	603-0445A		Shaft Assembly, Brake	1
5	603-0449		Shaft Assembly, Reverse	1
6	603-0634		Rod Assembly, Cruise	1
7	703-3012	0716	Link, Pedal Mounting	1
8	703-3020	0637	Bracket, Rod Adjust	1
9	703-3152	0637	Bracket, Switch	2
10	603-0733	0716	Lever, Brake Diff Lock	1
11	703-3156	0716	Link, Brake Pedal	1
12	710-0106		Screw, Hex Cap, 1/4-20 x 1.25 GR5	1
13	710-0599		Screw, Hex Wash. Hd. Tapp	5
			1/4-20 x .5	
14	710-0623		Screw, Hex Wash. Hd. Tapp	2
			3/8-16 x .75	
15	710-0642		Screw, Hex Wash. Hd. Tapp	6
			1/4-20 x .75	
16	710-1315		Screw, Hex Wash. Hd. Tapp	2
			3/8-16 x 1.25	
17	711-0679A		Pin, Clevis, 3/8 x 2.015	1
18	711-1530		Ferrule, Adjust.	1
19	711-1138		Stud, Actuator	1
20	712-3004A		Nut, Hex Flange Lock, 5/16-18	2
21	712-3027		Nut, Hex Flange Lock, 1/4-20	1
22	712-3058		Nut, Hex Insert Lock, 1/2-20	3
23	712-0429		Nut, Hex Insert Lock, 5/16-18	1
24	714-0104		Pin, Internal Cotter	7
25	714-0145		Pin, Internal Cotter	2
26	714-0147		Pin, Internal Cotter	5
27	715-0114		Pin, Spiral Spring, .25 x 1.5	1
28	731-3247		Pedal, Forward	1
29	731-3248		Pedal, Reverse	1
30	731-3249		Pedal, Brake	1
31	732-0324		Spring, Compression	1
32	732-0859		Spring, No Cut Reverse	1
33	732-0871		Spring, Torsion	1
34	732-3118		Spring, Extension, .380 OD x 1.44 .	2
35	736-0275		Washer, Flat, .344 x .688 x .065	2
36	736-0287		Washer, Flat, .79 x 1.24 x .060	1
37	736-0463		Washer, Flat, .25 x .62	1
38	736-0621		Washer, Wave, .785 x 1.0 x .012 ...	1
39	736-3019		Washer, Flat, .531 x 1.06 x .134	3
40	741-0598		Bearing, Hex Flange	4
41	741-3073		Bearing, Flange	3
42	741-3074		Bearing, Flange	2
43	741-3084		Bearing, Flange	1
44	747-3319		Rod, Rear Control	1
45	747-3320		Rod, Front Control	1
46	747-3324		Rod, Rear Connecting	1
47	747-3353		Rod, Front Connecting	1
48	747-3422		Rod, Brake	1
49	748-3060		Cruise Latch	1
50	748-3080A		Plate, Cruise	1
51	603-0738		Link Assembly, Brake	1
52	736-0418A		Washer, Flat, .341 x 2.25 x .10	1

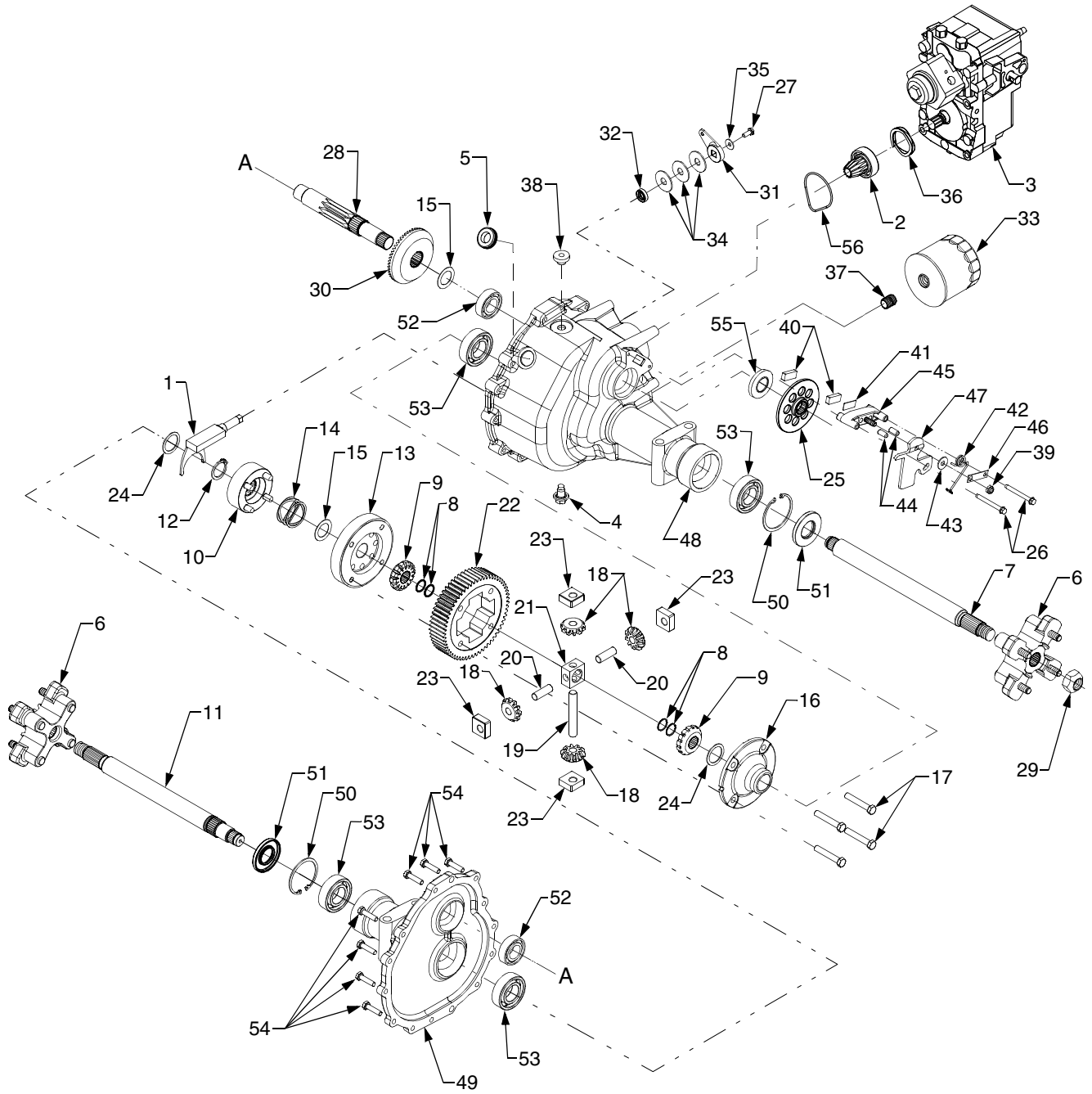
TRANSMISSION MOUNTING AND NEUTRAL LINKAGE



TRANSMISSION MOUNTING AND NEUTRAL LINKAGE

REF. NO.	PART NUMBER	CODE	DESCRIPTION	QTY.	REF. NO.	PART NUMBER	CODE	DESCRIPTION	QTY.
1	603-0698		Bracket, Torque	1	28	726-0324		Clamp, Hose	1
2	703-3478		Plate, Hydro Neutral Return ...	1	29	727-3090		Cylinder, Damper	1
3	703-3477		Link, Neutral Return Bearing ..	1	30	727-3139		Tube, Hydro Pickup	1
4	703-3187A		Spring Plate, Hydro Bypass	1	31	727-3148		Dipstick, Transmission	1
5	703-3175		Bracket, Cable Retainer	1	32	731-1480		Plastic Vent	1
6	703-3183		Bracket, Pedal Brace	1	33	731-1481		Vent Cap	1
7	710-0433		Screw, Hex Cap,	1	34	731-3297		Fan, Pump	1
			1/4-20 x .625 GR5 Lock		35	731-3245		Holder, Dipstick	1
8	710-0514		Screw, Hex Cap,	7	36	731-3250		Pedal, Diff Lock	1
			3/8-16 x 1.0 GR5		37	732-0429A		Spring, Extension	1
9	710-0599		Screw, Hex Wash. Hd. Tapp, .	2	38	735-0279		Grommet	1
			1/4-20 x .5		39	736-0227		Washer, Flat,	3
10	710-0623		Screw, Hex Wash. Hd. Tapp, .	1	40	736-0253		Washer, Bell, .5 x 1.0 x .05	1
			3/8-16 x .75		41	736-3019		Washer, Flat,	4
11	710-0465		Screw, Hex Cap,	4				.531 x 1.062 x .134	
			1/2-20 x 4.5 GR5		42	736-3090		Washer, Flat, .26 x .72 x .06 ..	1
12	710-3015		Screw, Hex Cap,	2	43	737-3092		Fitting, Tube	1
			1/4-20 x .75 GR5		44	738-0347		Spacer, Shoulder	1
13	710-3170		Ball Screw, 5/16-18 x .56	1	45	738-0572		Shoulder Bolt	1
14	710-1506		Screw, Hex Wash. Hd. Tapp ..	4	46	741-0155		Bearing, Ball	2
			5/16-18 x 5.5 GR5		47	741-0491		Bearing, Nylon Flange	2
15	710-3242		Screw, Set, 5/16 x .5	1	48	746-3081		Cable, Diff Lock	1
16	712-3059		Nut, Hex Top Lock Jam, 1/2-20	1	49	747-3424		Rod, Pump Bypass	1
17	712-0266		Nut, Hex Ctr. Lock Jam, 3/8-16	3	50	747-3366		Shaft, Diff Lock	1
18	712-0431		Nut, Hex Flange Lock, 3/8-16 .	4	51	750-0434		Spacer,	1
19	712-3004A		Nut, Hex Flange Lock, 5/16-18	1				.375 x .5 x 1.02	
20	712-3006		Nut, Hex, 1/4-20	1	52	750-0497		Spacer,	2
21	712-3058		Nut, Hex Insert Lock, 1/2-20 ...	4				.375 x .624 x .445	
22	714-0104		Pin, Internal Cotter	1	53	750-3212		Spacer, Hydro,	2
23	716-0104		E-Ring, .5 Dia. Shaft	1				.3223 x .60 x 2.44	
24	718-3097		Arm, Hydro	1	54	751-0588-8		Fuel Line	8 in.
25	748-3093		Adapter, Pump	1					
26	721-0459		O-Ring,	2					
			.426 ID x .566 OD x .070						
27	726-0295		Clamp, Tube	2					

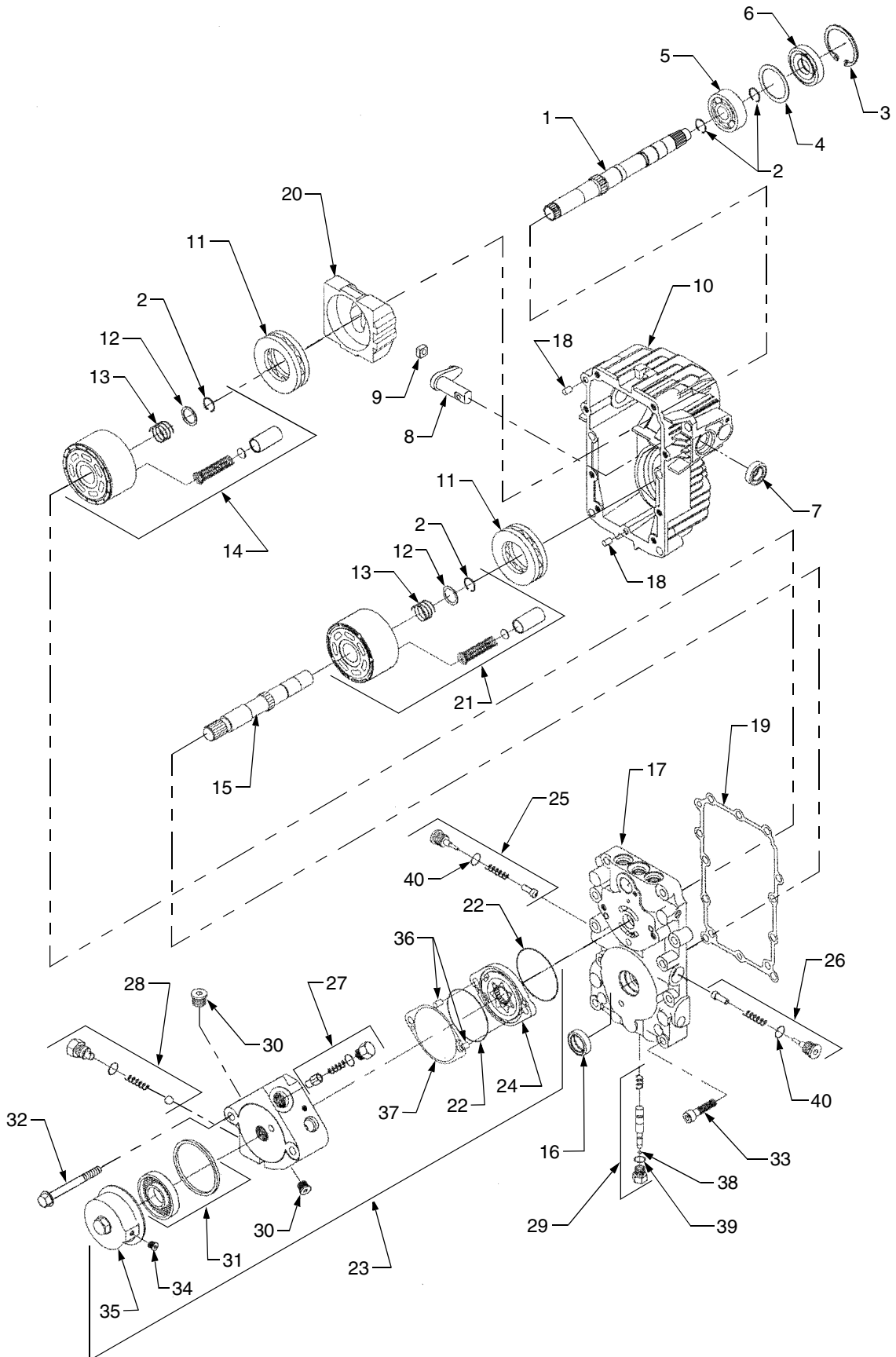
TRANSMISSION - DIFFERENTIAL



TRANSMISSION - DIFFERENTIAL

REF. NO.	PART NUMBER	DESCRIPTION	QTY	REF. NO.	PART NUMBER	DESCRIPTION	QTY
	618-3235	Transmission Assembly Complete - DOES NOT include Ref. Nos. 2, 3, 6, 29, 33, 36, 37 and 56.	1	28	711-1385A	Shaft, Output 9T	1
				29	712-0682	Nut, Lock, 7/8-14	2
				30	717-3449	Gear, Bevel 54T	1
1	611-3024	Shaft, Differential Actuator	1	31	718-3089	Arm, Diff. Lock Actuator	1
2	617-3001	Gear Assembly, Pinion 13T	1	32	721-0393	Seal, Oil	1
	741-3037	Bearing, Ball	1	33	723-3014	Filter, Oil	1
3	618-3214	Hydrostatic Transmission Assy. NOTE: For components see separate parts beakdown.	1	34	736-0208	Washer, Flat, .51 x 1.5 x .07	3
				35	736-0270	Washer, Belleville, .265 x .75 x .062 ...	1
				36	736-0619	Washer, Spring	1
4	710-1633	Plug, Drain, M14 x 1.5 x .827	1	37	737-3022	Fitting, Filter Nipple	1
5	735-0277A	Grommet, Rubber	1	38	735-0279	Grommet	1
6	618-3210A	Hub Assembly, Wheel	2	39	712-0273	Nut, Hex Insert Lock, 5/16-24	1
7	711-1308	Axle Shaft, 15.08 Long - RH	1	40	717-0678	Pad, Brake	2
8	716-0172	Retaining Ring	4	41	717-0682	Plate, Puck	1
9	717-1119	Gear, Spur, 14T	2	42	732-0925	Spring, Torsion	1
10	618-3155A	Collar Assembly, Diff. Lock	1	43	736-0371	Washer, Flat, .343 x .88 x .062	1
11	711-1309	Axle Shaft, 15.08 Long - LH	1	44	741-0343	Pin, Brake Actuator	2
12	716-3018	Retaining Ring	1	45	761-0207A	Yoke, Brake	1
13	718-3099B	Housing, Diff. Lock	1	46	761-0208	Bracket, Brake Anti-Rotation	1
14	732-0856	Spring, Cmpression	1	47	761-3074	Arm, Brake Actuator	1
15	736-0615	Washer, Thrust, 1.007 x 1.542 x .03 ...	2	48	619-3066	Housing, RH	1
16	619-3086	Housing, Diff. Cover	1	49	619-3067	Housing LH	1
17	710-1254	Hex Cap Screw, 3/8-24 x 2.25 GR8	4	50	716-0180	Retaining Ring	2
18	717-1120	Gear, Differential 10T	4	51	721-3020A	Seal, Oil	2
19	717-1173	Shaft, Cross, .5 x 3.485	1	52	741-3114	Bearing, Ball	2
20	717-1178	Shaft, Cross, Special	2	53	741-3033A	Bearing, Ball	4
21	717-1180	Differential Pinion Block	1	54	710-0573	Screw, Hex Cap Locking	14
22	717-3466	Gear, Spur 60T	1			5/16-18 x 1.25 GR5	
23	718-3101	Block, Thrust Miter	4	55	721-0523	Seal, Oil 1.0 ID	1
24	736-0558	Washer, Flat, 1.187 x 1.56 x .062	2	56	721-0519	Seal, Gland O-Ring	1
25	761-0215	Disc, Brake	1				
26	710-1206	Screw, Hex Wash. Hd. Tapp	2		759-3958	Sealant, Loctite Black, 5.3 oz. Tube	1
		1/4-20 x 2.375			737-3120	Drive System Fluid Plus - Quart	5.5
27	710-0751	Hex Cap Screw, 1/4-20 x .62 GR5	1		737-3121	Drive System Fluid Plus - Gallon	AR

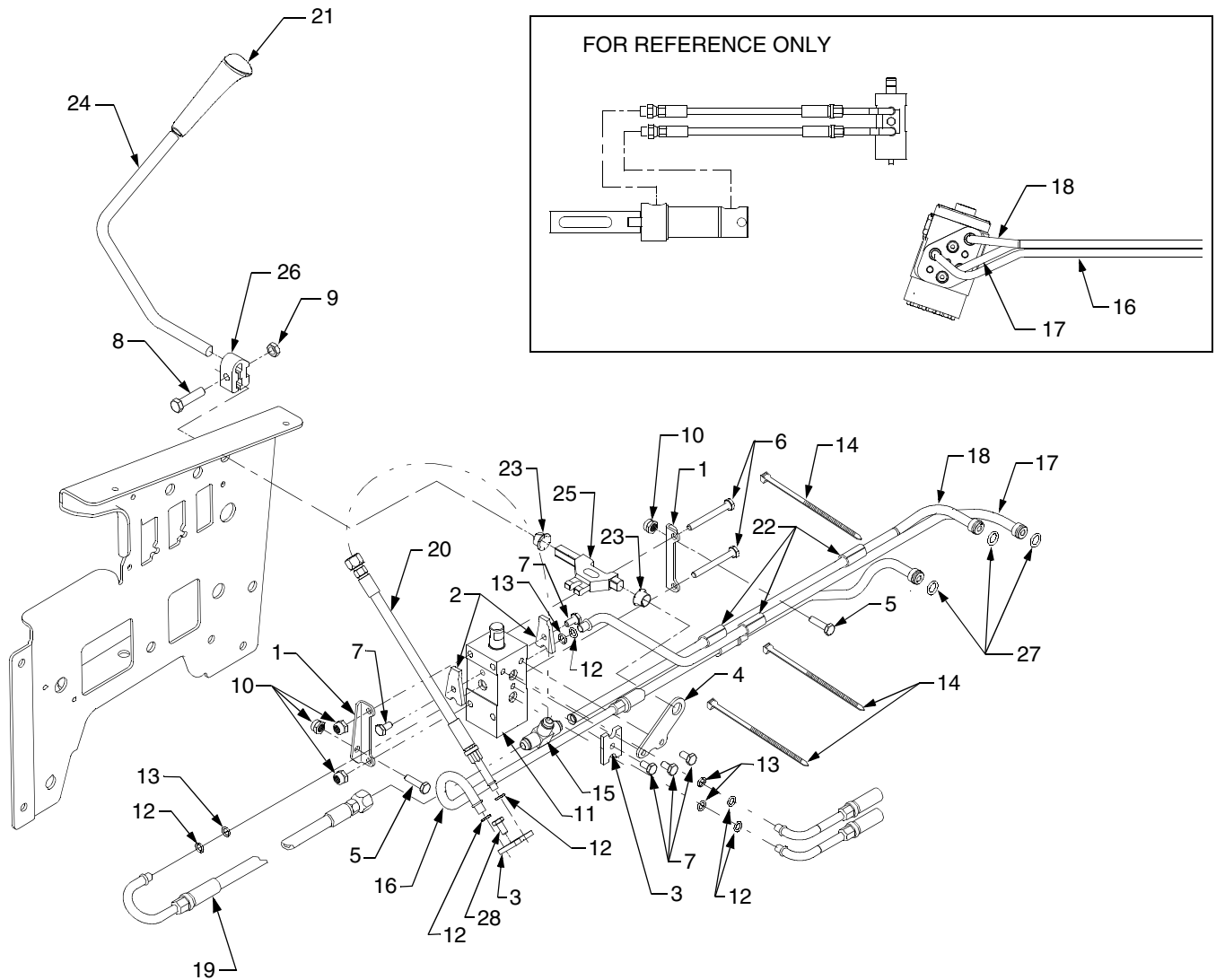
HYDROSTATIC TRANSMISSION



HYDROSTATIC TRANSMISSION

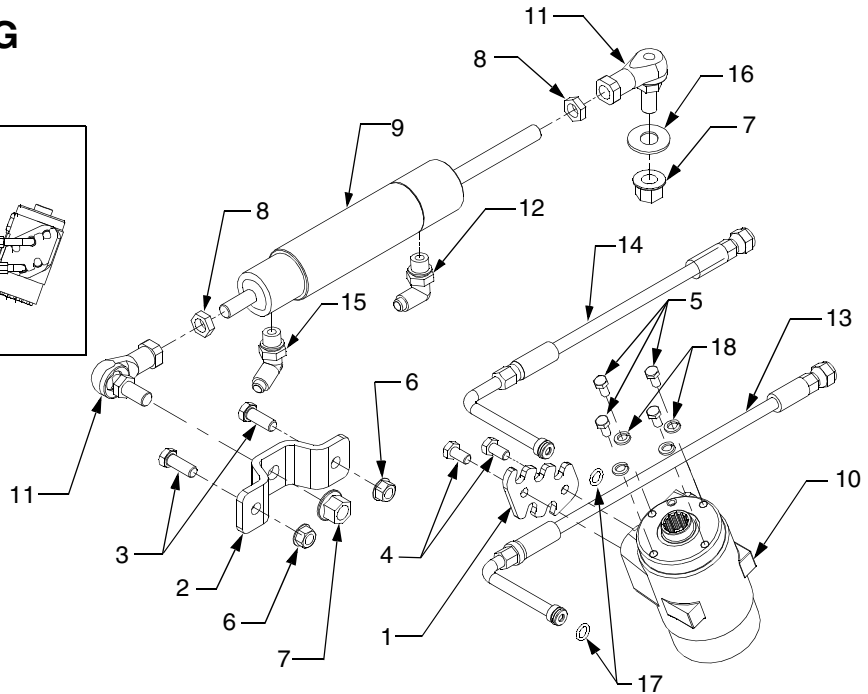
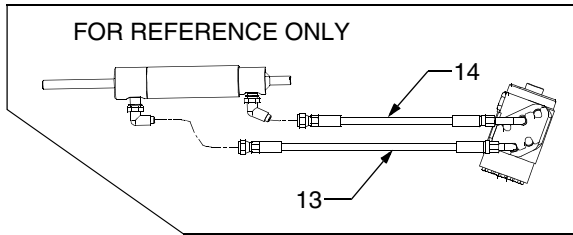
REF. NO.	PART NUMBER	DESCRIPTION	QTY.
1	HG-51206	Shaft, Pump	1
2	HG-2000022	Ring, Wire Retaining	4
3	HG-2000038	Ring, Retaining	1
4	HG-2000023	Spacer	1
5	HG-2000032	Bearing, Ball	1
6	HG-2000036	Seal, Lip	1
7	HG-2000037	Seal, Lip	1
8	HG-2000014	Arm, Trunnion	1
9	HG-2000015	Guide, Slot	1
10	HG-2510097	Housing Assembly	1
11	HG-50552	Bearing Assembly, Thrust Ball	2
12	HG-2000024	Washer, Block Thrust	2
13	HG-2000025	Spring, Block	2
14	HG-2510014	Kit, Pump Cylinder Block	1
15	HG-2000007	Shaft, Motor	1
16	N/A	Not Used In This Application	
17	HG-2510098	Kit, Center Section	1
18	HG-50641	Pin	2
19	HG-2000061	Gasket, Center Section	1
20	HG-50203	Swashplate, Variable	1
21	HG-2510013	Kit, Motor Cylinder Block	1
22	HG-9004100-1430	O-Ring	2
23	HG-2510083	Kit, Auxiliary Charge Pump	1
24	HG-50761	Gerotor & Housing Assembly	1
25	HG-2510050	Kit, Check Valve	1
26	HG-2510034	Kit, Check Valve w/ .044 Orifice	1
27	HG-2510081	Kit, Check Relief	1
28	HG-2510082	Kit, Auxiliary Relief Valve	1
29	HG-2510012	Kit, Bypass Valve	1
30	HG-9005110-4400	Plug, 7/16-20	2
31	HG-2510090	Kit, Auxiliary Filter	1
32	HG-50969	Screw, Flange Head Cap, M8 x 60 ..	2
33	HG-9007314-0808	Screw, Socket Head Cap	8
34	HG-9005110-3100	Plug, 5/16-24	1
35	HG-50994	Cover, Filter	1
36	HG-50408	Pin	2
37	HG-2000044	Shim, Charge Pump	1
38	N/A	O-Ring-Order Seal Kit HG-2510010	
39	N/A	O-Ring-Order Seal Kit HG-2510010	
40	N/A	O-Ring-Order Seal Kit HG-2510010	
	HG-2510010	Kit, Overhaul Seal (Includes Ref. Nos. 2, 3, 4, 6, 7, 19, 22, 38, 39 & 40)	1

HYDRAULIC VALVE AND LINES



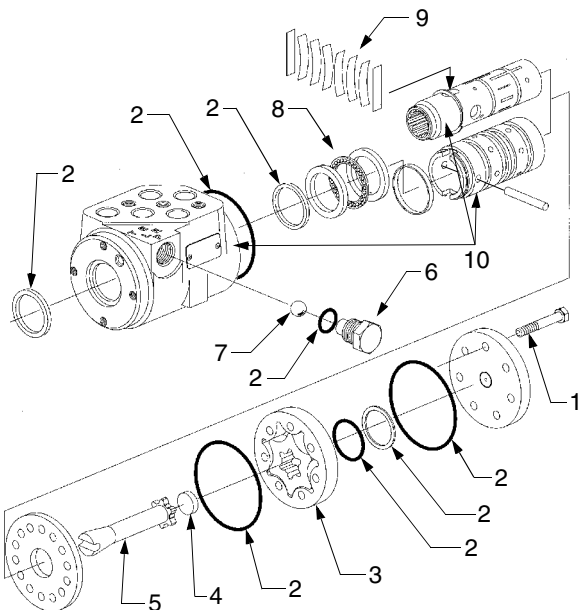
REF. NO.	PART NUMBER	CODE	DESCRIPTION	QTY.	REF. NO.	PART NUMBER	CODE	DESCRIPTION	QTY.
1	703-1801		Bracket, Valve Mounting	2	14	726-0197		Cable Tie	3
2	703-1802		Clamp, Side Valve	2	15	727-3056		T-Fitting, 9/16-18 Thrd.	1
3	703-1803		Clamp, Double Valve	2	16	727-3130		Tube, Hydraulic (Pump to Strng)	1
4	703-3154		Bracket, Lift Valve	1	17	727-3131		Tube, Hydraulic (Aux. from Strng)	1
5	710-0597		Screw, Hex Cap	2	18	727-3162		Tube, Hydraulic (Strng Return) ..	1
			1/4-20 x 1.0 GR5		19	727-3160		Tube, Hydraulic (Aux Return)	1
6	710-0641		Screw, Hex Cap	2	20	727-3161		Tube, Hydraulic (Return to Pump)	1
			1/4-20 x 2.25 GR5		21	731-3259		Knob, Lift	1
7	710-3013		Screw, Hex Cap	5	22	735-3007		Rubber Spacer	3
			1/4-20 x .50 GR5		23	741-0491		Bearing, Nylon Flange	2
8	710-3083		Screw, Hex Cap	1	24	747-3349A		Handle, Center Lift Valve	1
			5/16-18 x 1.375 GR5		25	748-3081A		Link, Lift	1
9	712-0429		Nut, Hex Insert Lock, 5/16-18	1	26	748-3082		Clamp, Handle	1
10	712-3027		Nut, Hex Flange Lock, 1/4-20	4	27	721-0493		O-Ring, .426 x .566 x .070	3
11	717-3452		Valve, Hydraulic	1	28	710-0751		Screw, Hex Cap	1
12	721-0492		O-Ring, Backup	4				1/4-20 x .62 GR5	
13	721-3021		O-Ring	6					

LOWER POWER STEERING



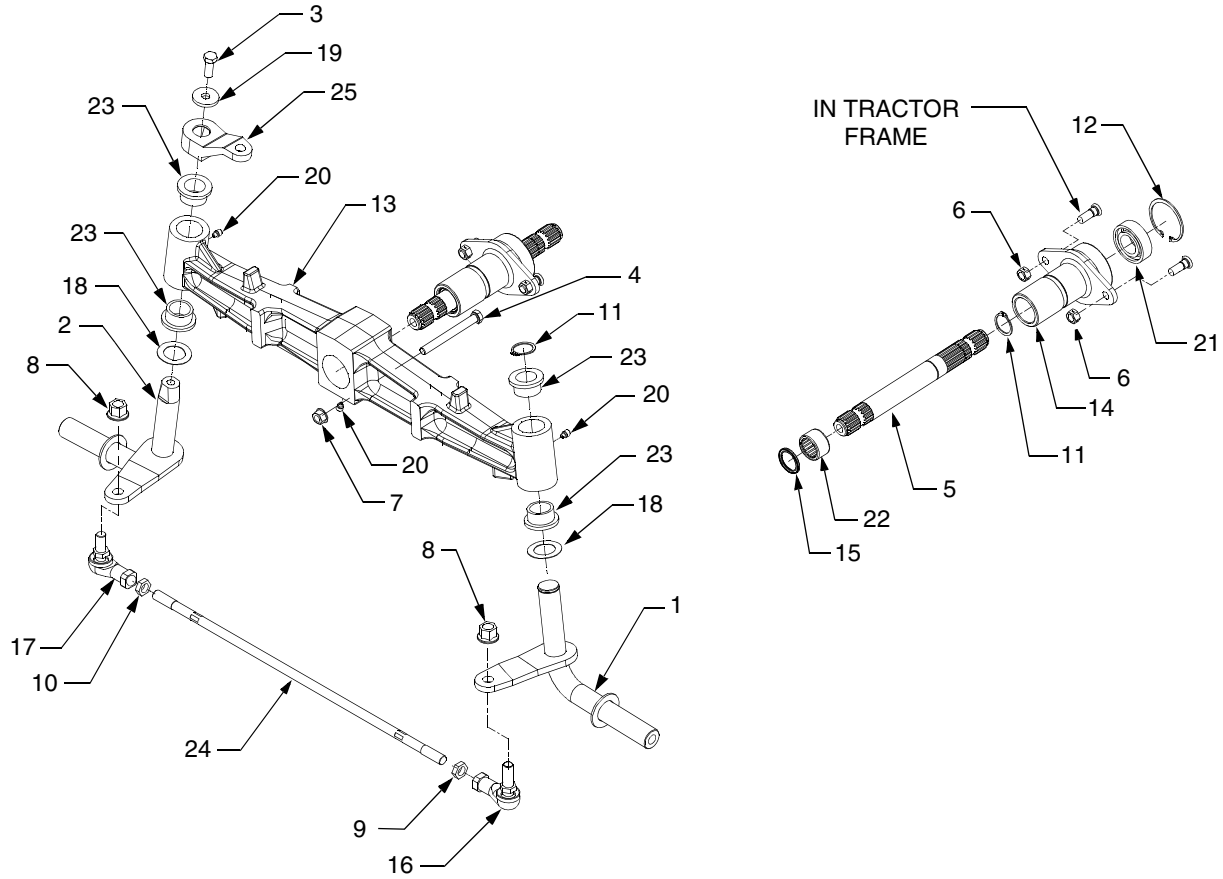
REF. NO.	PART NUMBER	CODE	DESCRIPTION	QTY.	REF. NO.	PART NUMBER	CODE	DESCRIPTION	QTY.
1	703-3015	0716	Plate, Steering Pump Port	1	9	717-3424		Cylinder, Steering	1
2	703-3189	0716	Bracket, Cylinder Mounting	1	10	717-3442		Pump, Hydraulic Steering	1
3	710-0514		Screw, Hex Cap	2	11	723-0462		Ball Joint, 12MM x 1.75 RH	2
			3/8-16 x 1.0 GR5		12	727-3012		Fitting, 90 Degree Elbow	1
4	710-3138		Screw, Hex Cap	2	13	727-3126		Hose, Front Steering	1
			M8-1.25 x 16MM GR5		14	727-3127		Hose, Rear Steering	1
5	710-3140		Screw, Hex Cap, M6 x 14MM	4	15	727-3159		Fitting, 45 Degree	1
6	712-0431		Nut, Hex Flange Lock, 3/8-16	2	16	736-3084		Washer, Flat, .51 x 1.12 x .060 ..	1
7	712-3103		Nut, Hex Flange Lock, M12 x 1.75	2	17	721-0493		O-Ring, .426 x .566 x .070	2
8	712-3104		Nut, Hex, M12 x 1.75 RH	2	18	736-0329		Washer, Lock, 1/4"	4

HYDRAULIC STEERING PUMP



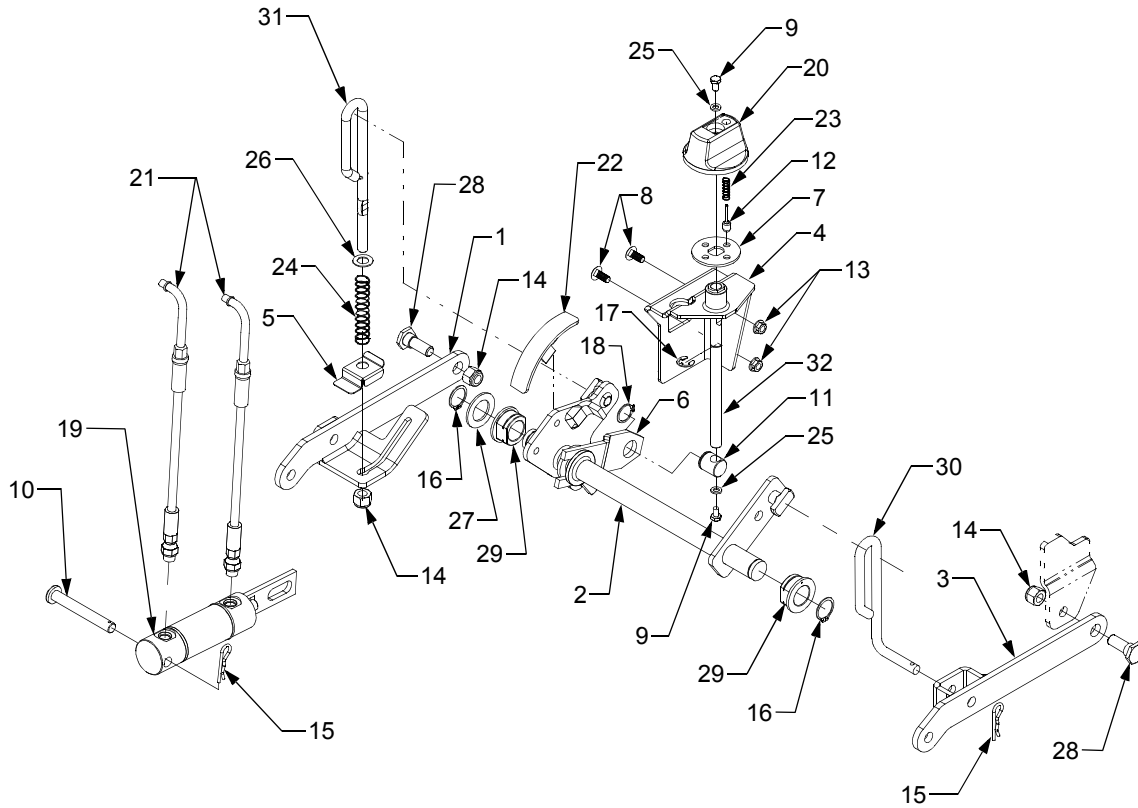
REF. NO.	PART NUMBER	DESCRIPTION	QTY.
1	ET-14543-002	Screw, Hex Cap, 1.57" Lg.	1
2	ET-64455-000	Seal Kit	1
		(Includes All Parts Marked Ref. 2	
3	ET-22991-003	Gerotor Assembly	1
4	ET-22919-005	Spacer, .240 Lg.	1
5	ET-22918-000	Drive	1
6	ET-9199-000	Plug, Manual Check	1
7	ET-285020-140	Ball, Manual Check	1
8	ET-64457-000	Bearing Kit	1
9	ET-64456-000	Spring Kit, Centering	1
10	N/A	Spool, Sleeve and Housing — Not Available as Replacement Parts. Order Complete Steering Pump	

FRONT AXLE



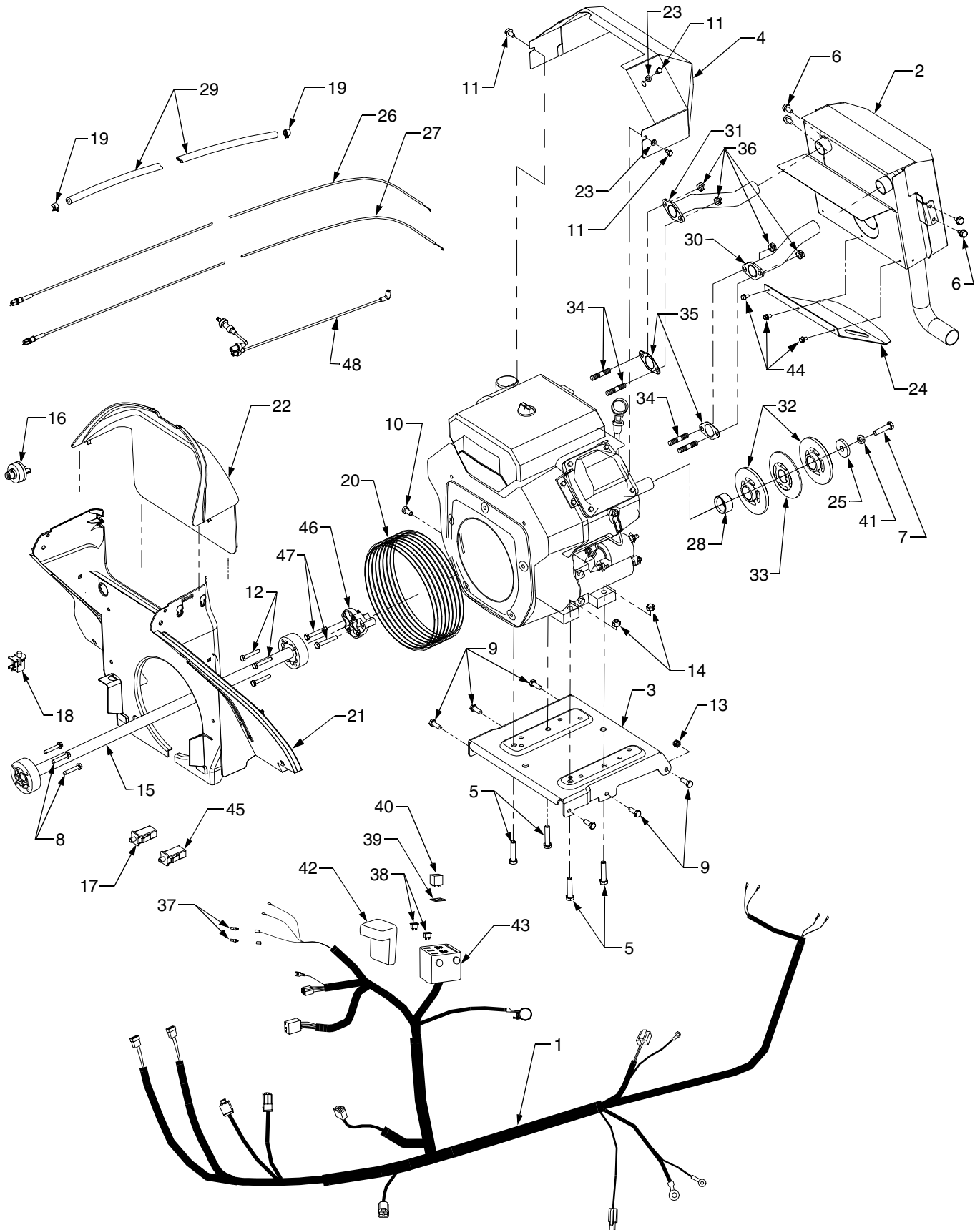
REF. NO.	PART NUMBER	CODE	DESCRIPTION	QTY.	REF. NO.	PART NUMBER	CODE	DESCRIPTION	QTY.
1	603-0426	0637	Axle, RH Steering	1	13	719-3119A		Pivot Axle	1
2	603-0427	0637	Axle, LH Steering	1	14	719-3120		Axle Carrier	1
3	710-1039		Screw, Hex Cap 3/8-24 x 1.0 GR8	1	15	721-0462		Seal, Grease, 1.31 x 1.0	1
4	710-3085		Screw, Hex Cap 3/8-16 x 3.5 GR5	1	16	723-0462		Ball Joint, 12MM x 1.75 RH	1
5	711-1141		Shaft, Splined	1	17	723-0463		Ball Joint, 12MM x 1.75 LH	1
6	712-0355		Nut, Hex Center Lock, 3/8-24	2	18	736-0163		Washer, Flat, 1.03 x 1.62 x .030	2
7	712-0431		Nut, Hex Flange Lock, 3/8-16	1	19	736-0247		Washer, Flat, .406 x 1.25	1
8	712-3103		Nut, Hex Flange Lock, M12 x 1.75	2	20	737-3000		Fitting, Lube, 3/16 Drive	3
9	712-3104		Nut, Hex - RH, M12 x 1.75	1	21	741-0131		Bearing, Ball	1
10	712-3105		Nut, Hex - LH, M12 x 1.75	1	22	741-0363		Bearing, Needle	1
11	716-0102		Snap Ring, 1.0 Dia. Shaft	2	23	741-0558		Bearing, Flange	4
12	716-0188		Retaining Ring, Internal, 2.0	1	24	747-3348A		Tie Rod, M12 x1.75 RH & LH	1
					25	748-3074		Steering Arm	1

CENTER HYDRAULIC LIFT LINKAGE



REF. NO.	PART NUMBER	CODE	DESCRIPTION	QTY.	REF. NO.	PART NUMBER	CODE	DESCRIPTION	QTY.
1	603-0434	0716	Link, LH Lift	1	18	716-0111		Snap Ring, .875 Dia. Shaft	1
2	603-0435A		Shaft Assembly, Lift	1	19	717-3518		Cylinder, Center Lift	1
3	603-0456	0716	Link, RH Lift	1	20	720-0236		Knob	1
4	603-0803		Bracket, Downstop	1		777120243		Graphic, Height Adjust	1
5	703-3426		Stop Bracket, Lift Rod	1	21	727-3135		Hose, Lift	2
6	703-3797		Arm, Downstop	1		725-0157		Tie, Cable	1
7	748-3103		Disk, Detent	1	22	731-3215A		Indicator, Lift Position	1
8	710-3178		Bolt, Carriage, 3/8-16 x .75	2	23	732-0437		Spring, Compression	1
9	710-3013		Screw, Hex Cap, 1/4-20 x .5 GR5	2	24	732-0870A		Spring, Compression	1
10	711-1206		Pin, Clevis, .5 x 3.75	1	25	736-0142		Washer, Flat, .281 x .5 x .063 ...	2
11	711-1553		Ferrule, Adjustment	1	26	736-0160		Washer, Flat, .536 x .93 x .050 .	1
12	711-1561		Pin, Detent Plunger	1	27	736-0250		Washer, Flat, 1.0 x 1.7 x .10	1
13	712-0431		Nut, Flange Lock, 3/8-16 GR5 ...	2	28	738-0744A		Shoulder Screw	2
14	712-3083		Nut, Hex Lock, 1/2-13	3	29	741-0170		Bearing, Flange w/Flats	2
15	714-0147		Pin, Internal Cotter	2	30	747-3330		Rod, RH Lift	1
16	716-0102		Snap Ring, 1.0 Dia. Shaft	2	31	747-3331A		Rod, LH Lift	1
17	716-0104		Ring, 'E' Retaining, .5 Dia.	1	32	747-3437		Screw, Adjustment	1

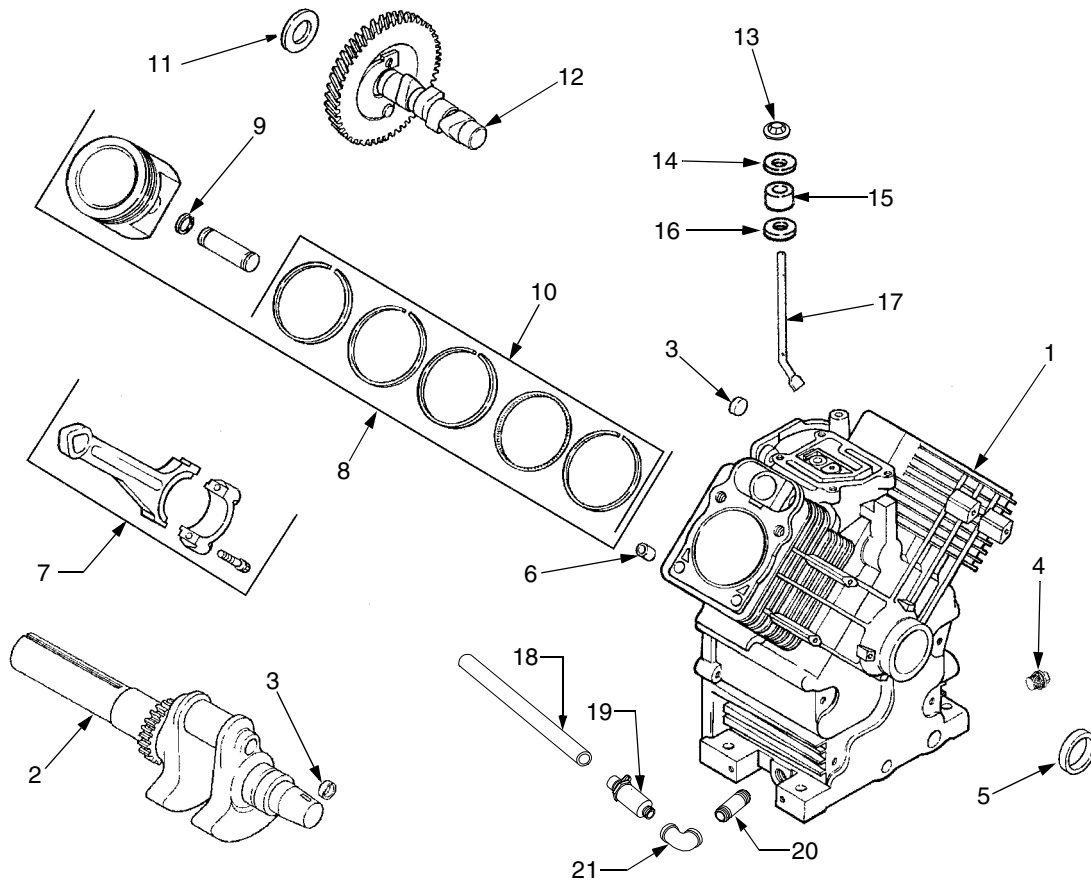
DRIVESHAFT AND ENGINE CONNECTIONS



DRIVESHAFT AND ENGINE CONNECTIONS

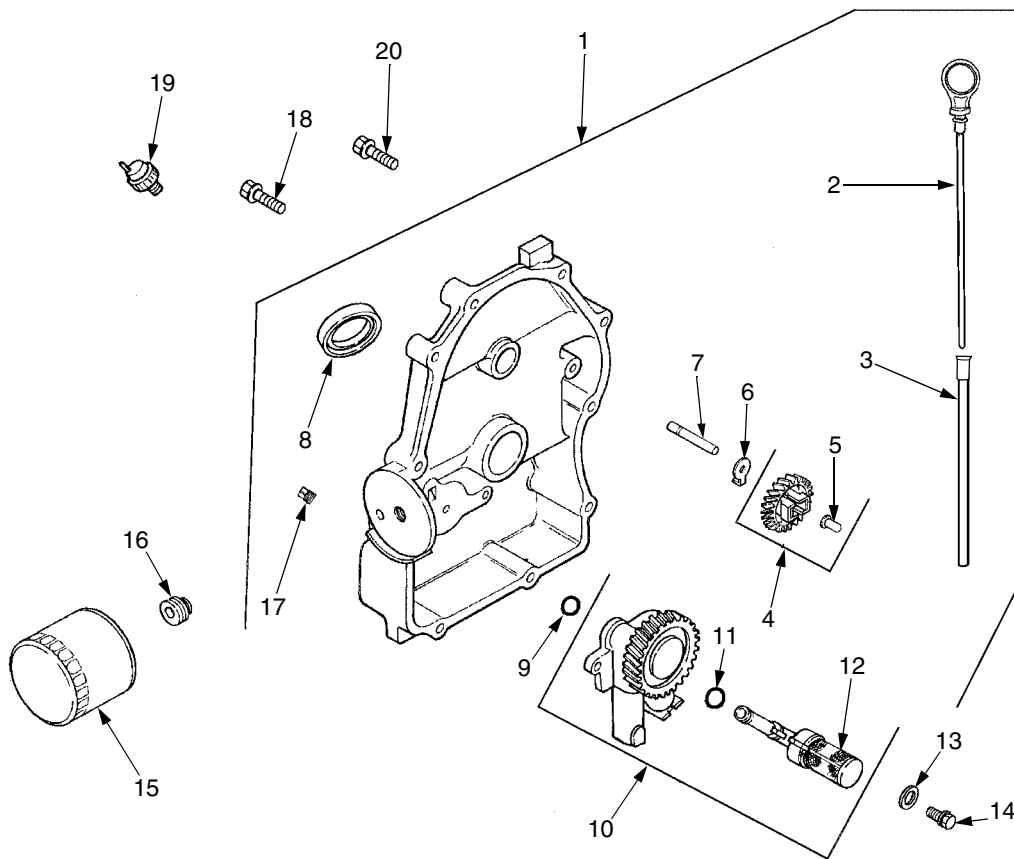
REF. NO.	PART NUMBER	CODE	DESCRIPTION	QTY.
1	629-3074A		Harness, Wire	1
	726-0154		Tie, Pushmount	4
	726-3055		Clip, Cable	2
2	651-3003		Muffler Assembly	1
3	703-2909	0716	Plate, Engine Mounting	1
4	703-2999		Shield, Muffler Heat	1
5	710-0539		Screw, Hex Cap,	4
			3/8-24 x 1.75 GR5	
6	710-0607		Screw, Hex Wash. Hd. Tapp	4
			5/16-18 x .5	
7	710-0757		Screw, Hex Cap,	1
			7/16-20 x 1.5 GR5	
8	710-1062		Screw, Hex Cap Lock	4
			1/4-20 x 1.25 GR5	
9	710-3038		Screw, Hex Cap,	6
			5/16-18 x .875 GR5	
10	710-3138		Screw, Hex Cap,	1
			M8 - 1.25 x 16MM GR5	
11	710-3209		Screw, Hex Cap,	4
			M6 - 1.0 x 10MM	
12	710-3288		Screw, Hex Cap, Lock	4
			1/4-20 x 1.62 GR5	
13	712-0429		Nut, Hex Insert Lock, 5/16-18	6
14	712-3054		Nut, Hex Lock, 3/8-24	4
15	718-3093		Shaft, Drive, 27.125 Long	1
16	725-3163		Switch, Key, w/Groung	1
17	725-3164A		Switch, Plunger	1
18	725-3166		Switch, Snap Mount	1
19	726-0205		Clamp, Hose	2
20	731-3166		Boot, Intake	1
21	731-3221A		Baffle, Lower Air	1
22	731-3231A		Baffle, Upper Air	1
23	736-0142		Washer, Flat, .281 x .50 x .06	4
24	703-3398		Shield, Lower Exhaust	1
25	736-3017		Washer, Flat, .417 x 1.5 x .225	1
26	746-3075		Cable, Throttle Control	1
27	746-3077		Cable, Choke Control	1
28	750-3357		Spacer, Crankshaft	1
29	751-0535-60		Hose, Fuel Line	60in.
30	751-3154		Pipe, Exhaust RH	1
31	751-3155		Pipe, Exhaust LH	1
32	756-3091A		Pulley Half	2
33	756-3099		Pulley, Center	1
34	KH-25-072-04		Stud, M8 - 1.25 x 33MM	4
35	KH-24-041-02		Gasket, Exhaust	2
36	712-3086		Nut, Hex, M8 x 1.25	4
37	725-1365		Bulb, Indicator	2
38	725-3243		Fuse, 25 Amp	2
39	721-0342		Gasket, Silicone	1
40	725-1648		Relay	1
41	736-0171		Washer, Lock, 7/16	1
42	759-3868		Cover, Fuse Box	1
43	759-3869		Box, Fuse	1
44	710-3007		Screw, Hex Wash. Hd. Tapp, #12-24 x .38	3
45	725-3191A		Switch, Plunger	1
46	719-3096		Adapter, Drive Shaft	1
47	KH-24-086-16		Screw, Hex Flange, M10 x 1.5 x 90	2
48	751-3199		Hose, Vacuum	1

CRANKCASE AND CRANKSHAFT



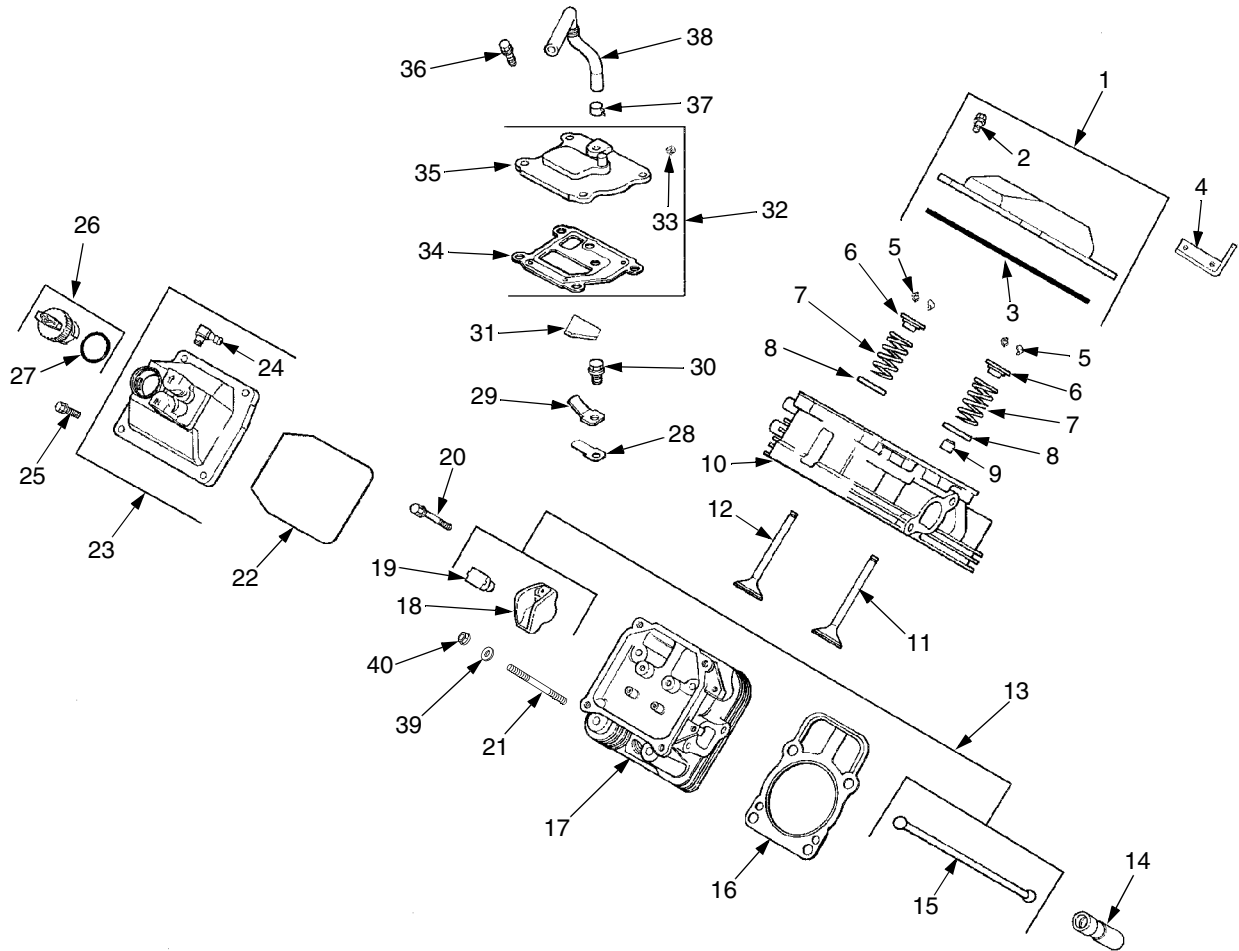
REF. NO.	PART NUMBER	DESCRIPTION	QTY.	REF. NO.	PART NUMBER	DESCRIPTION	QTY.
1	KH-76516	Engine, Complete	1	11	KH-12-422-09	Shim, Camshaft, .0320	AR
	KH-24-522-249	Short Block	1		KH-12-422-13	Shim, Camshaft, .0400	AR
	KH-24-782-27	Miniblock	1		KH-12-422-07	Shim, Camshaft, .0280	AR
2	KH-24-014-06	Crankshaft (Includes 3)	1		KH-12-422-08	Shim, Camshaft, .0300	AR
3	KH-52-139-09	Plug, Cup	2		KH-12-422-10	Shim, Camshaft, .0340	1
4	KH-27-139-57-S	Plug, Hex Head, 3/8 NPTF	2		KH-12-422-11	Shim, Camshaft, .0360	AR
5	KH-24-032-01	Seal, Oil	1		KH-12-422-12	Shim, Camshaft, .0380	AR
6	KH-24-380-13-S	Pin, Dowel Locating	6	12	KH-24-012-10	Camshaft	1
7	KH-24-067-13	Rod, Connecting, Std	2	13	KH-24-018-09-S	Ring, Retainer	1
	KH-24-067-14	Rod, Connecting, .010	2	14	KH-M-931010-S	Washer, Nylon	1
8	KH-24-874-09	Piston w/Ring Set, Std	2	15	KH-28-032-09-S	Seal, Governor Cross Shaft	1
	KH-24-874-10	Piston w/Ring Set, .010	2	16	KH-24-468-15-S	Washer, Plain	1
	KH-24-874-11	Piston w/Ring Set, .020	2	17	KH-24-144-33-S	Shaft, Governor Cross	1
	KH-24-874-15	Piston w/Ring Set, .003	2	18	751-3141-12	Hose, Oil Drain	12 in.
9	KH-24-018-01	Retainer, Piston Pin	4	19	751-3140	Drain, Oil	1
10	KH-24-108-08	Ring Set, Std	1		751-3142	Cap, Oil Drain	1
	KH-24-108-09	Ring Set, .010	1	20	737-0199	Pipe, Straight	1
	KH-24-108-10	Ring Set, .020	1	21	737-0272	Elbow, 90 °	1
					KH-24-755-108-S	Gasket Set	1

OIL PAN/LUBRICATION



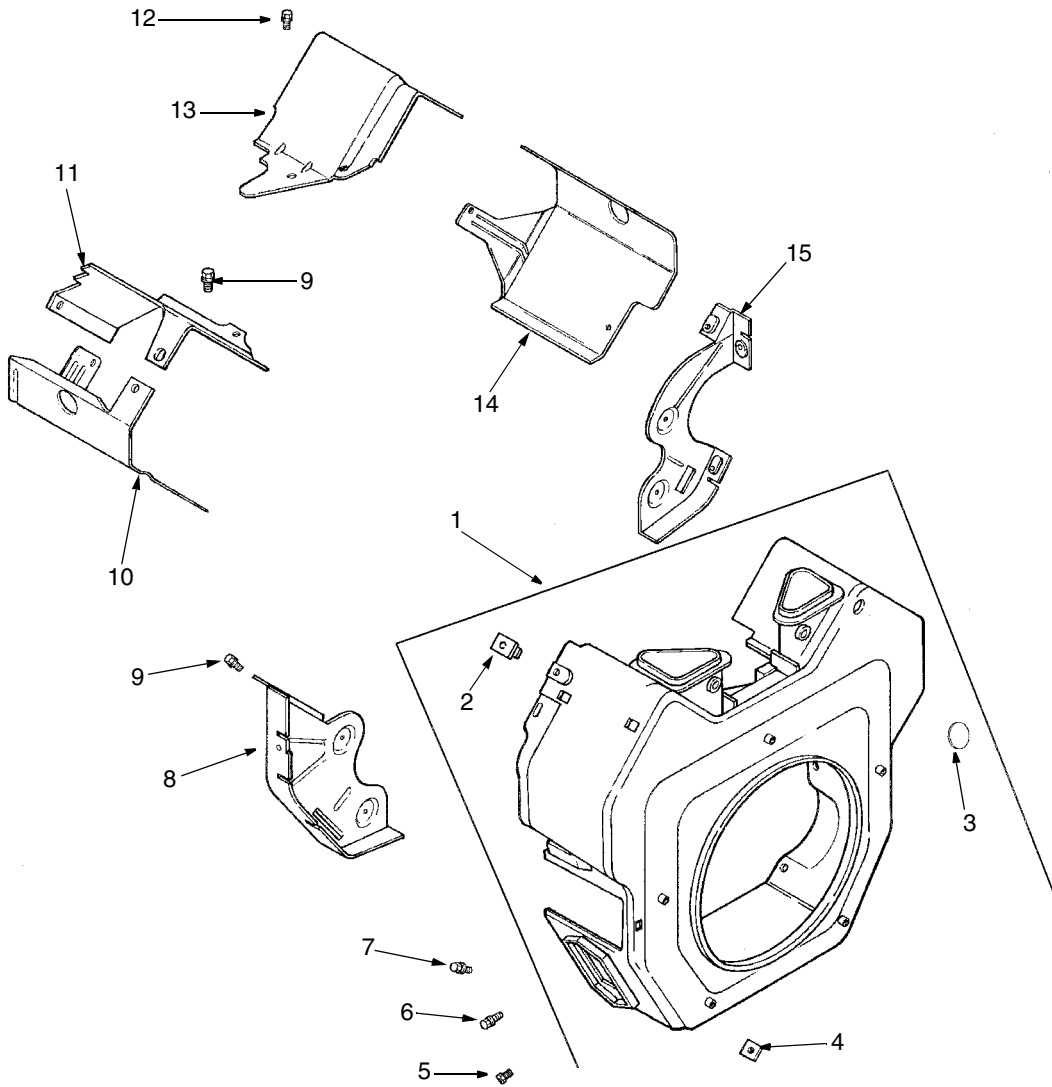
REF. NO.	PART NUMBER	DESCRIPTION	QTY.
1	KH-54-009-07	Plate, Closure Assembly (Includes 2-12, 17)	1
2	KH-24-038-10-S	Dipstick	1
3	KH-24-755-121-S	Tube, Dipstick (Includes 2)	1
4	KH-24-043-12	Kit, Governor Gear (Includes 5) ..	1
5	KH-12-380-01	Pin, Governor Regulating	1
6	KH-52-448-02	Tab, Locking	1
7	KH-12-144-02	Shaft, Governor Gear	1
8	KH-52-032-08	Seal, Oil (PTO End)	1
9	KH-24-153-08	O-Ring	1
10	KH-24-393-10	Oil Pump Assembly	1
		(Includes 11,12)	
11	KH-24-153-01	O-Ring, Oil Pick-Up	1
12	KH-24-381-04	Pick-Up, Oil	1
13	KH-M-0631005	Washer, Plain	2
14	KH-M-0645025	Screw, Hex Flange M6 x 1 x 25 ..	2
15	KH-12-050-08	Filter, Oil	1
16	KH-24-136-01	Nipple, Oil Filter	1
17	KH-25-139-60-S	Plug, Pipe 1/8"	2
18	KH-24-086-16	Screw, Hex Flange M8 x 1.25 x 45	9
19	KH-25-099-24	Switch, Pressure	1
20	KH-24-086-17	Screw, Hex Flange M8 x 1.25 x 45	1

CYLINDER HEAD, VALVES AND BREATHER



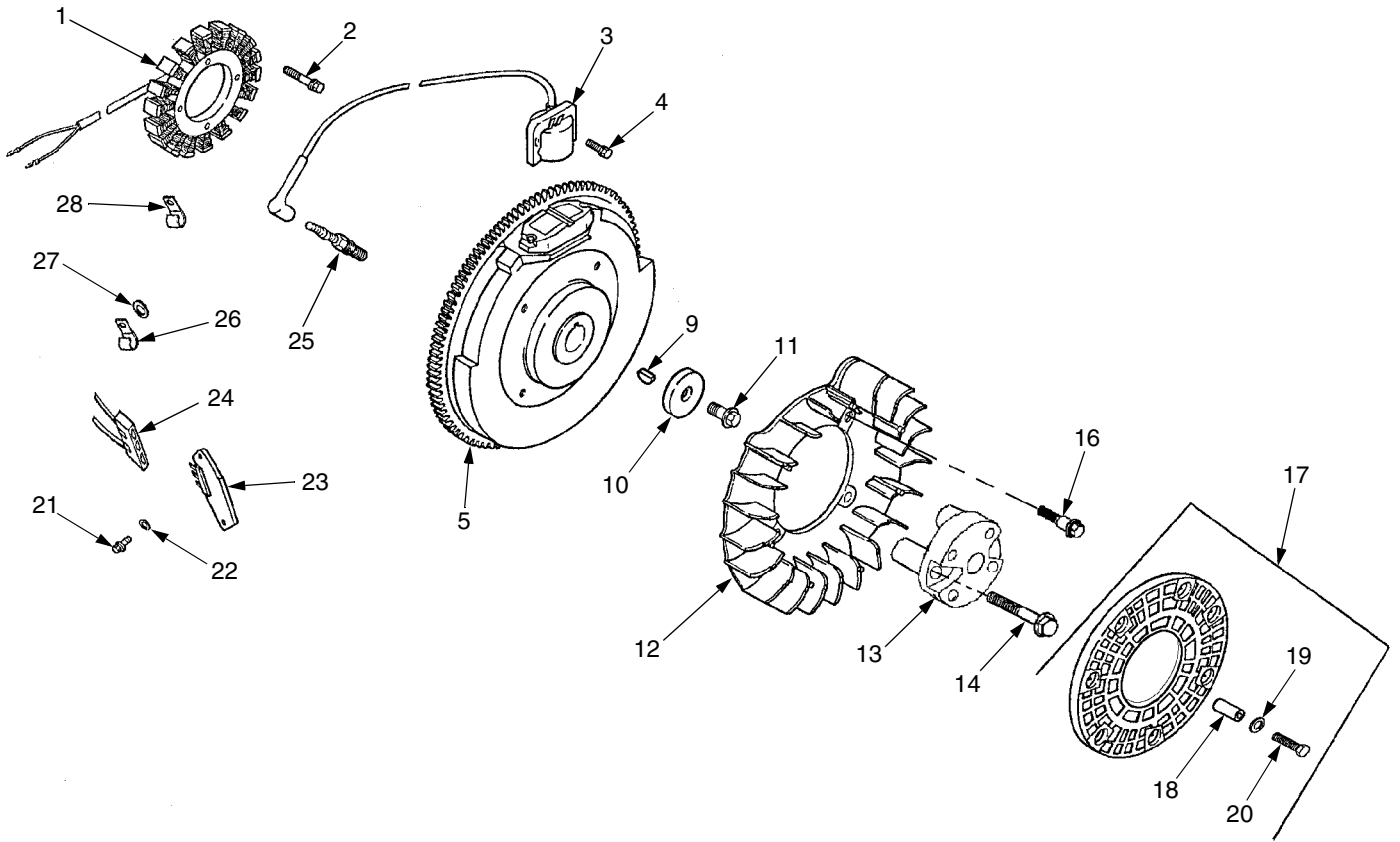
REF. NO.	PART NUMBER	DESCRIPTION	QTY.	REF. NO.	PART NUMBER	DESCRIPTION	QTY.
1	KH-24-755-74	Kit, Valve Cover (Includes 2-3)	1	20	KH-M-0640034	Screw, Hex Flange M6 x 1 x 34 ..	4
2	KH-24-086-32	Screw, Shoulder	4	21	KH-24-072-09-S	Stud, Cyl. Hd.	8
3	KH-24-153-16	O-Ring, Valve Cover	1	22	KH-24-153-16	O-Ring, Valve Cover	1
4	KH-24-445-01	Strap, Lifting	1	23	KH-24-393-14	Cover, Fuel Pump Valve	1
5	KH-12-755-03	Kit, Retainer	4	24	KH-25-155-02	Connector 90°	2
6	KH-12-173-01	Cap, Valve Spring	4	25	KH-24-086-34	Screw, Shoulder	4
7	KH-24-089-02	Spring, Valve	4	26	KH-24-227-02	Cap Assembly, Oil Fill (Includes 27)	1
8	KH-235011	Retainer, Spring	4	27	KH-24-153-09	O-Ring	1
9	KH-24-032-05	Seal, Valve Stem	2	28	KH-24-402-03	Reed, Breather	1
10	KH-24-318-68-S	Head Assembly, #1 Cylinder	1	29	KH-12-018-01	Retainer, Breather Reed	1
11	KH-24-017-01	Valve, Intake (Std.)	2	30	KH-M-0545010	Screw, Hex Flange M5 x 0.8 x 10	1
	KH-24-017-02	Valve, Intake (.25mm)	2	31	KH-24-050-01	Filter, Breather	1
12	KH-24-016-01	Valve, Exhaust (Std.)	2	32	KH-24-033-01	Kit, Breather (Includes 31-33)	1
	KH-24-016-02	Valve, Exhaust (.25mm)	2	33	KH-25-139-60-S	Plug, Allen Head 1/8 NPTF	1
13	KH-24-755-66	Kit, Valve Train (Includes 15,18,19)	1	34	KH-24-041-23	Gasket, Breather	1
14	KH-25-351-01	Lifter, Valve	4	35	KH-24-096-58	Cover, Breather	1
15	KH-24-411-05	Rod, Push	4	36	KH-M0645020	Screw, Hex Flange M6 x 1.0 x 20	4
16	KH-24-041-40-S	Gasket, Cylinder Head	2	37	KH-25-237-14-S	Clamp, Breather	1
17	KH-24-318-70-S	Head Assembly, #2 Cylinder	1	38	KH-24-326-26	Hose, Breather	1
18	KH-25-186-01	Arm, Rocker	4	39	KH-24-468-16-S	Washer, Flat, 8mm	8
19	KH-24-599-01	Pivot, Rocker Arm	4	40	KH-24-100-10-S	Nut, Hex Flange, M8 x 1.25	8

BLOWER HOUSING AND BAFFLES



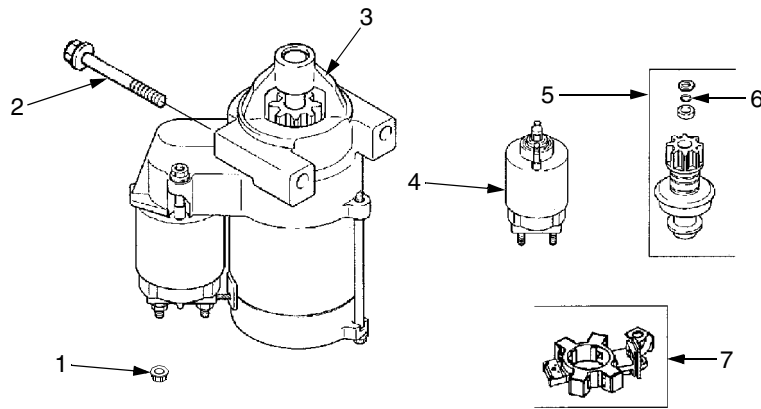
REF. NO.	PART NUMBER	DESCRIPTION	QTY.
1	KH-24-027-20	Housing, Blower (Includes 2-4) ...	1
2	KH-24-100-02	Nut, Plastic	2
3	KH-25-139-16	Plug, Button 9/16"	1
4	KH-24-100-01	Nut, Plastic	3
5	KH-M-0551016	Screw, Hex Flange M5 x 0.8 x 16	1
6	KH-M-0545016	Screw, Hex Flange M5 x 0.8 x 16	3
7	KH-M-0545020	Screw, Hex Flange M5 x 0.8 x 20	4
8	KH-24-146-16	Plate, Backing #2 Side	1
9	KH-M-0645016	Screw, Hex Flange M6 x 1.0 x 16	6
10	KH-24-063-20	Baffle, Cyl. Barrel #2 Side	1
11	KH-24-063-17	Baffle, Valley #2 Side	1
12	KH-M-0545010	Screw, Hex Flange M5 x 0.8 x 10	2
13	KH-24-063-24	Baffle, Valley #1 Side	1
14	KH-24-063-58-S	Baffle, Cyl. Barrel #1 Side	1
15	KH-24-146-20	Plate, Backing #1 Side	1

IGNITION/ELECTRICAL



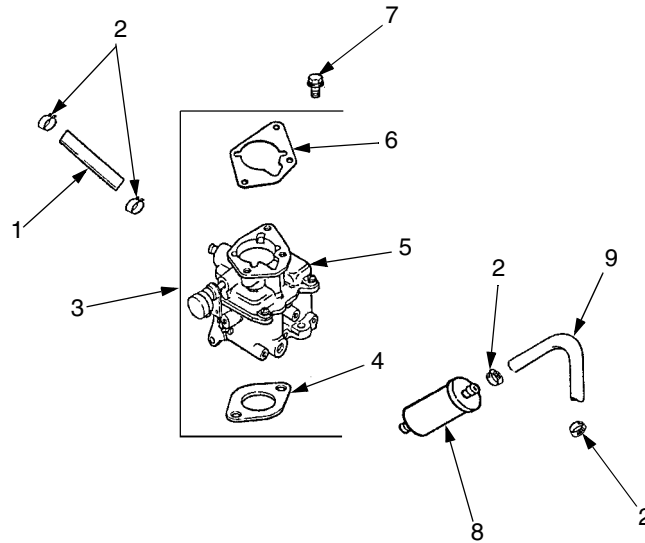
REF. NO.	PART NUMBER	DESCRIPTION	QTY.	REF. NO.	PART NUMBER	DESCRIPTION	QTY.
1	KH-54-755-09	Kit, 15 Amp Stator (Incl. KH-24-126-71 Stator Bracket, Not Shown)	1	18	KH-24-112-04	Spacer	4
2	KH-M-0548025	Screw, Hex Cap M5 x 0.8 x 25	2	19	KH-X-25-92	Washer, Plain 3/16"	4
3	KH-24-584-01	Module, Ignition	2	20	KH-M-0403025	Screw, Hex Cap M4 x 0.7 x 25 ...	4
4	KH-M-0545020	Screw, Hex Socket Hd. M5 x 0.8 x 4	4	21	KH-24-086-18	Screw, Phillips Hd. 11-16 x 7/8" .	2
5	KH-24-025-04	Flywheel	1	22	KH-X-25-92	Washer, Plain 3/16"	4
9	KH-X-42-15	Key	1	23	KH-25-403-03	Rectifier-regulator 15 Amp	1
10	KH-12-468-03	Washer, Plain 3/8"	1	24	KH-236602	Connector (3 Contact)	1
11	KH-12-086-14	Screw, Hex Flange M10 x 1.5 x 46	1	25	759-3336	Spark Plug	2
12	KH-24-157-03	Fan	1	26	KH-235173	Clip, Cable	2
13	719-3096	Adapter, Drive Shaft	1	27	KH-X-25-63	Washer, Plain 1/4"	1
14	KH-24-086-16	Screw, Hex Flange M10 x 1.5 x 90	2	28	KH-48-154-02	Clip, Cable	1
16	KH-25-086-47	Bolt, Shoulder, M6 x 1.0 x 16	4		KH-24-176-08	Harness, Wire	1
17	KH-54-755-15	Kit, Grass Screen	1		KH-24-518-12-S	Lead	1
		(Incl. 18-20 and KH-24-113-18)			KH-X-22-11	Washer, Lock, 1/4	1
					KH-25-086-91-S	Screw, Tapping, #10-16 x .5	2
					KH-47-154-01-S	Clip, Cable	1

STARTING SYSTEM



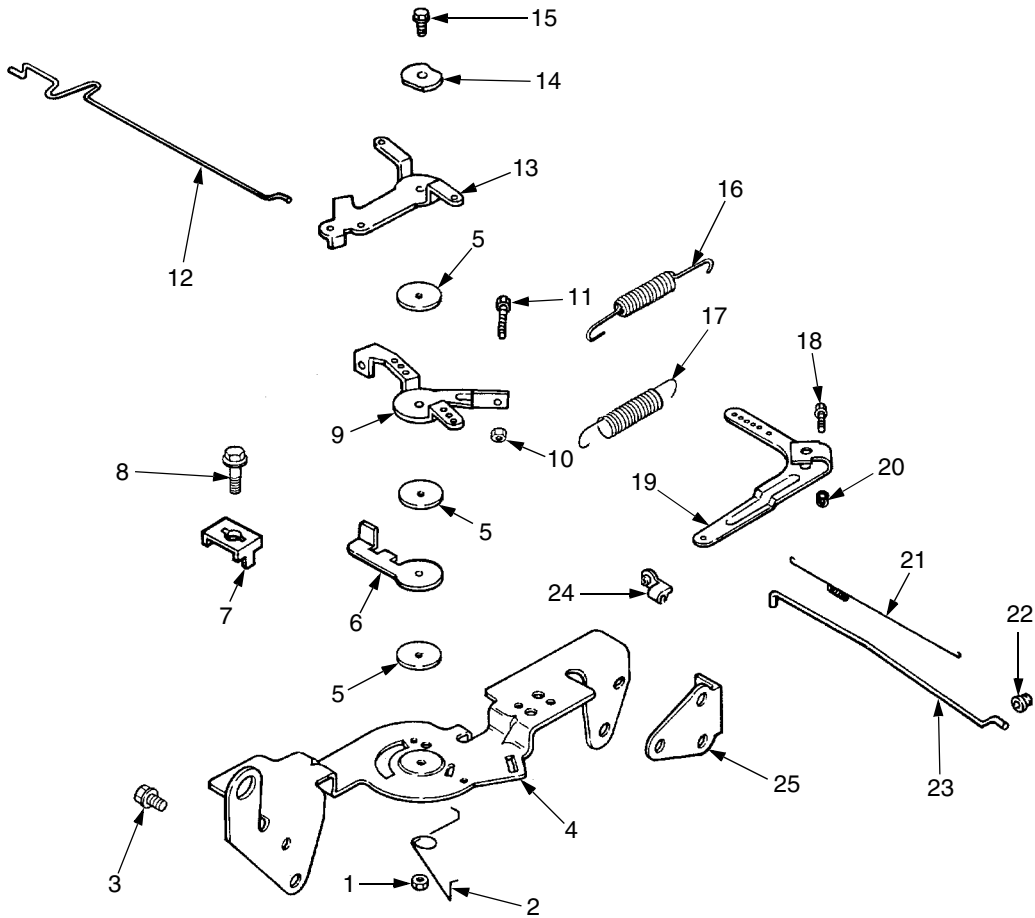
REF. NO.	PART NUMBER	DESCRIPTION	QTY.
1	KH-M-0841080	Nut, Hex Flange M8 x 1.25"	1
2	KH-M-0839080	Screw, Hex Flange M8 x 1.25 x 80	2
3	KH-25-098-08-S	Starter, Solenoid Shift Assembly (Includes 4-7)	1
4	KH-25-435-04-S	Kit, Solenoid	1
5	KH-25-755-33-S	Kit, Pinion Drive (Includes 6)	1
6	KH-25-141-05-S	Ring, Retainer	1
7	KH-25-221-01-S	Kit, Brush	1

FUEL SYSTEM



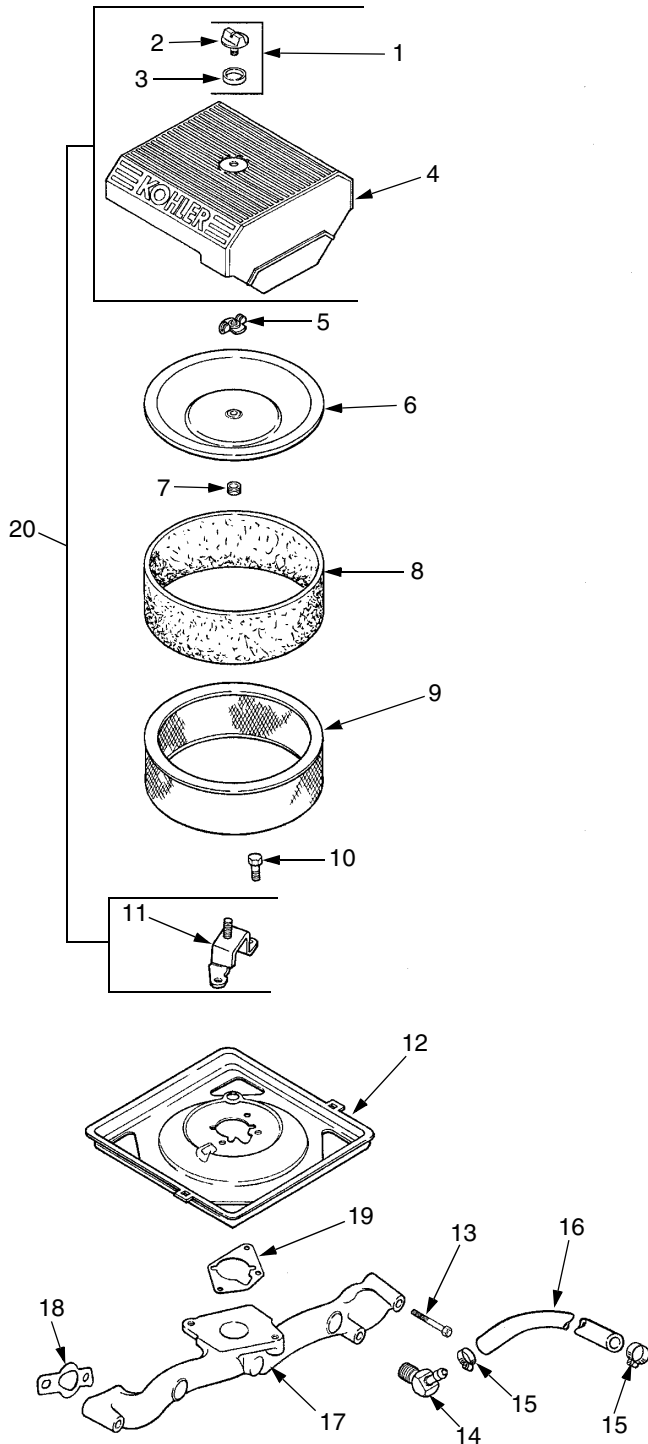
REF. NO.	PART NUMBER	DESCRIPTION	QTY.
1	KH-52-353-20	Line, Fuel 10"	2
2	KH-25-237-14-S	Clamp, Hose	4
3	KH-24-853-59-S	Kit, Carburetor w/Gasket	1
		(Includes 4-6)	
4	KH-24-041-17	Gasket, Carburetor	1
5		Carburetor Assembly	1
		Not available separately	
6	KH-24-041-06	Gasket, Air Cleaner Base	1
7	KH-M-0651030	Screw, Hex Flange	2
8	KH-24-050-02	Filter, Fuel	1
9	KH-24-353-12	Line, Fuel 11"	1
		Not Illustrated	
	KH-24-757-01	Kit, Solenoid — Includes Solenoid Screw [qty. 2], O-Ring , O-Ring , O-Ring , Solenoid Assembly & Solenoid Seat.	1
	KH-24-757-02	Kit, Float Repair — Includes Carburetor Body Gasket, Float Screw, Float Assembly and Float Shaft.	1
	KH-24-757-03	Kit, Carburetor Repair — Includes Carburetor Gasket; Carburetor Body Screw; Idle Needle Spring; U-Ring; Slow Jet O-Ring; Main Jet Screw O-Ring; Solenoid O-Rings; Inlet Needle Valve Clip; Idle Needle and Inlet Needle Valve.	1
	KH-24-757-07	Kit, Choke Repair — Includes Choke Plate Screws; Choke Spring; Choke Lever; Choke Shaft; Choke Plate; Choke Bushings; and Choke Lever Cap.	1

ENGINE CONTROLS



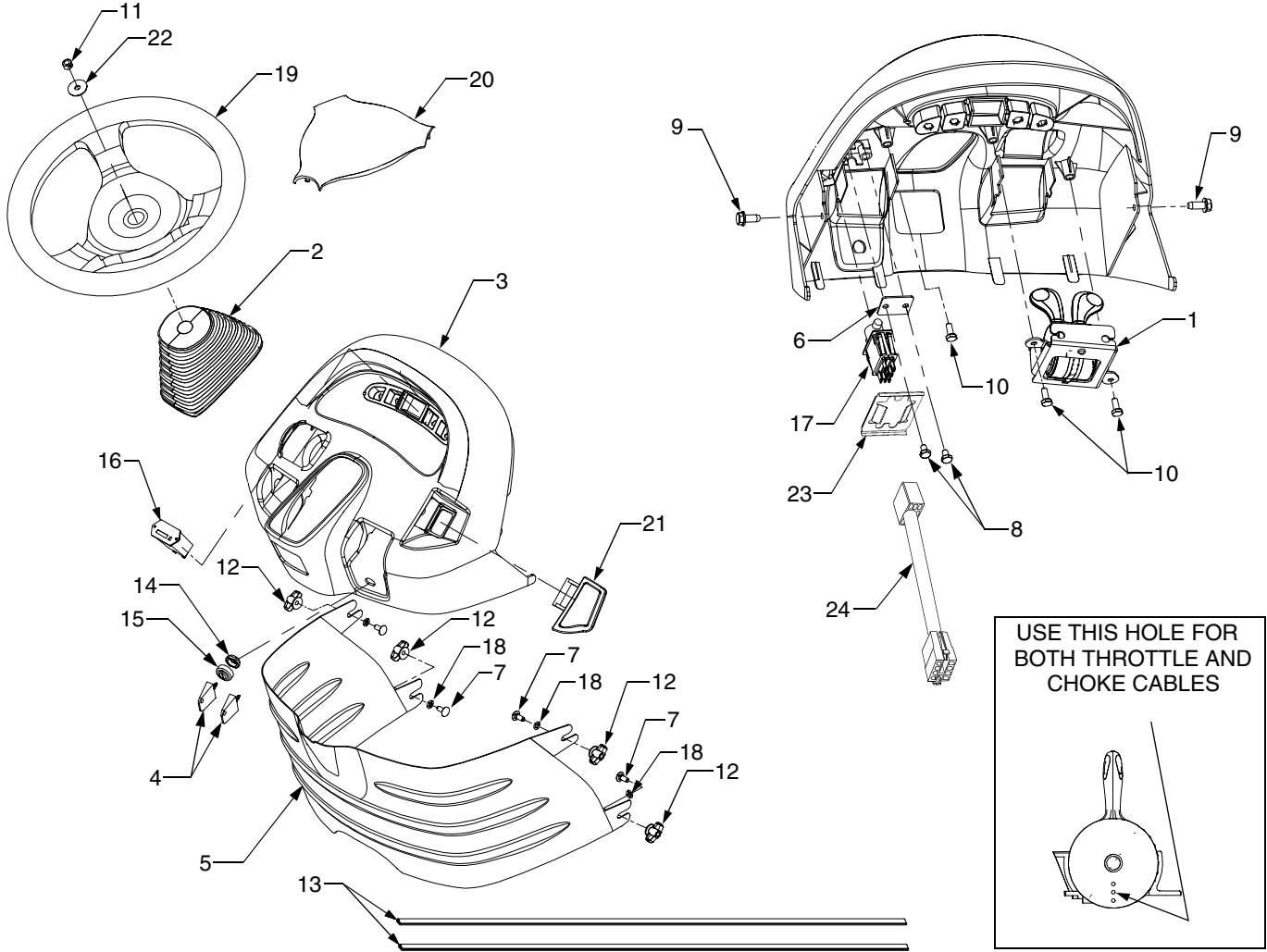
REF. NO.	PART NUMBER	DESCRIPTION	QTY.	REF. NO.	PART NUMBER	DESCRIPTION	QTY.
1	KH-M-0547050	Nut, Hex Lock M5 x 0.8	1	14	KH-41-468-03	Washer, Spring 1/4"	1
2	KH-24-089-03	Spring, Choke Return	1	15	KH-M-0545020	Screw, Hex Flange M5 x 0.8 x 20	1
3	KH-M-0645016	Screw, Hex Flange M6 x 1.0 x 16	4	16	KH-24-089-51-S	Spring, Throttle Limiter	1
4	KH-24-126-56	Bracket, Control	1	17	KH-24-089-46-S	Spring, Governor	1
5	KH-24-468-01	Washer, Plain 5.5 mm	3	18	KH-24-211-03-S	Screw, Carriage	1
6	KH-24-090-07	Lever, Throttle Actuator	1	19	KH-24-090-33-S	Lever, Governor	1
7	KH-12-237-01	Clamp, Cable,	2	20	KH-M-0641060	Nut, Hex Flange M6 x 1.0"	1
8	KH-M-0545016	Screw, Hex Flange M5 x 0.8 x 16	3	21	KH-24-089-01	Spring, Linkage	1
9	KH-24-090-13	Lever, Throttle Control	1	22	KH-25-158-08	Bushing, Linkage Retaining	1
10	KH-M-0446030	Nut, Hex M4 x 0.7	1	23	KH-24-079-01	Linkage, Throttle	1
11	KH-M-0401030	Screw, Hex Cap M4 x 0.7 x 30 ...	1	24	KH-25-158-11	Bushing, Linkage Retaining	1
12	KH-24-079-02	Linkage, Choke	1	25	KH-24-126-04	Bracket Support	2
13	KH-24-090-05	Lever, Choke	1				

AIR INTAKE



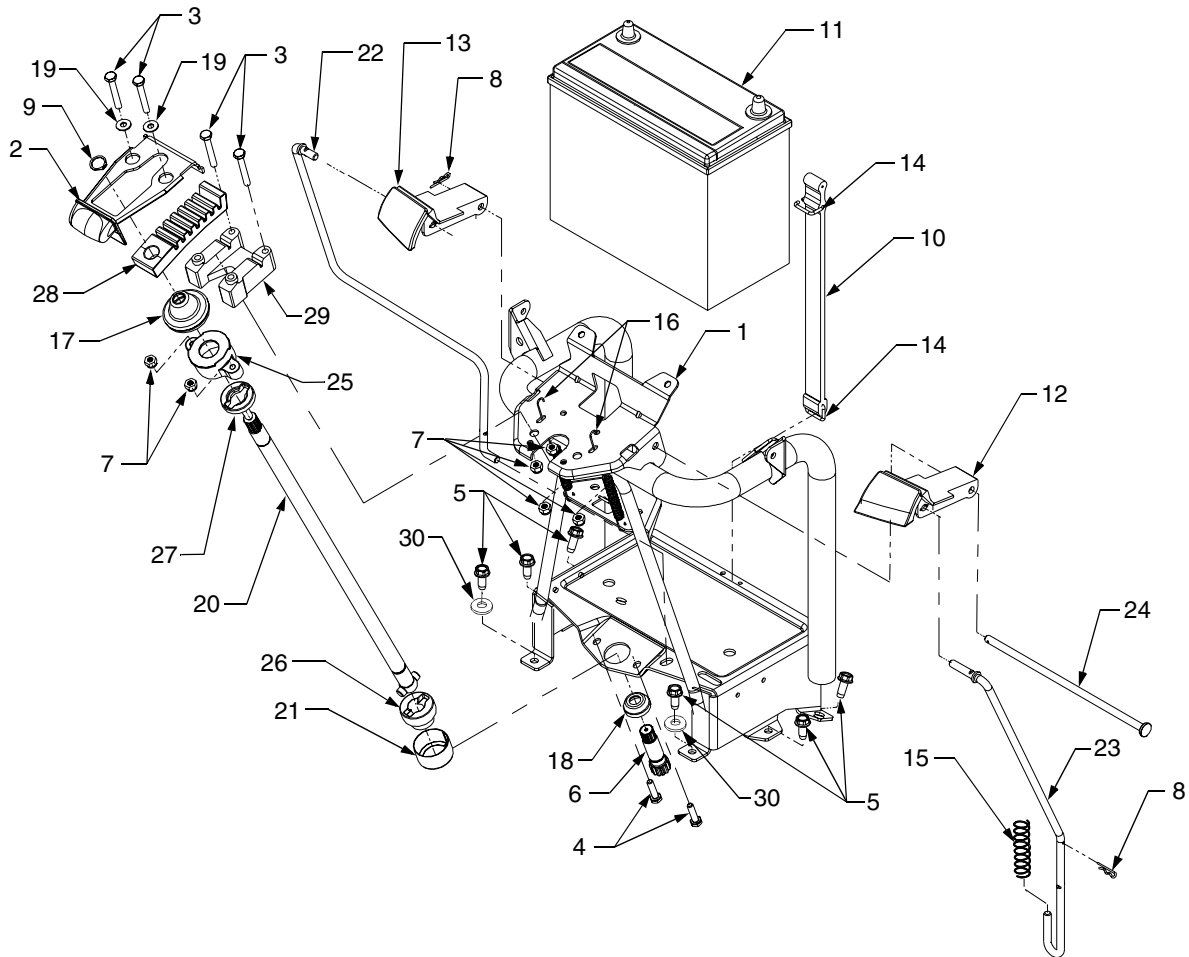
REF. NO.	PART NUMBER	DESCRIPTION	QTY.
1	KH-54-755-01	Kit, Knob w/Seal (Includes 2,3) ...	1
2	KH-25-341-03	Knob, Cover	1
3	KH-24-153-20-S	Seal, Air Cleaner Cover Knob	1
4	KH-24-096-69-S	Cover, Air Cleaner	1
5	KH-12-100-01	Wing Nut	1
6	KH-24-096-01	Cover, Inner Air Cleaner	1
7	KH-24-032-03	Seal, Inner Air Cleaner	1
8	KH-24-083-02	Precleaner, Element	1
9	KH-47-083-03	Element, Air Cleaner	1
10	KH-M-0639016	Screw, Hex Flange M6 x 1.0 x 16	3
11	KH-24-126-21	Bracket, Air Cleaner Base	1
12	KH-24-094-03	Base, Air Cleaner	1
13	KH-M-0651055	Screw, Hex Flange M6 x 1.0 x 55	4
14	KH-25-155-11	Connector, Hose 45°	1
15	KH-25-237-14-S	Clamp, Hose	2
16	KH-15-353-02-S	Line, Fuel 17"	1
17	KH-24-164-29	Manifold, Intake	1
18	KH-24-041-01	Gasket, Intake Manifold	2
19	KH-24-041-06	Gasket, Air Cleaner Base	1
20	KH-24-743-08	Kit, Air Cleaner Cover	1
		(Includes 1-4, 11)	

DASH PANEL



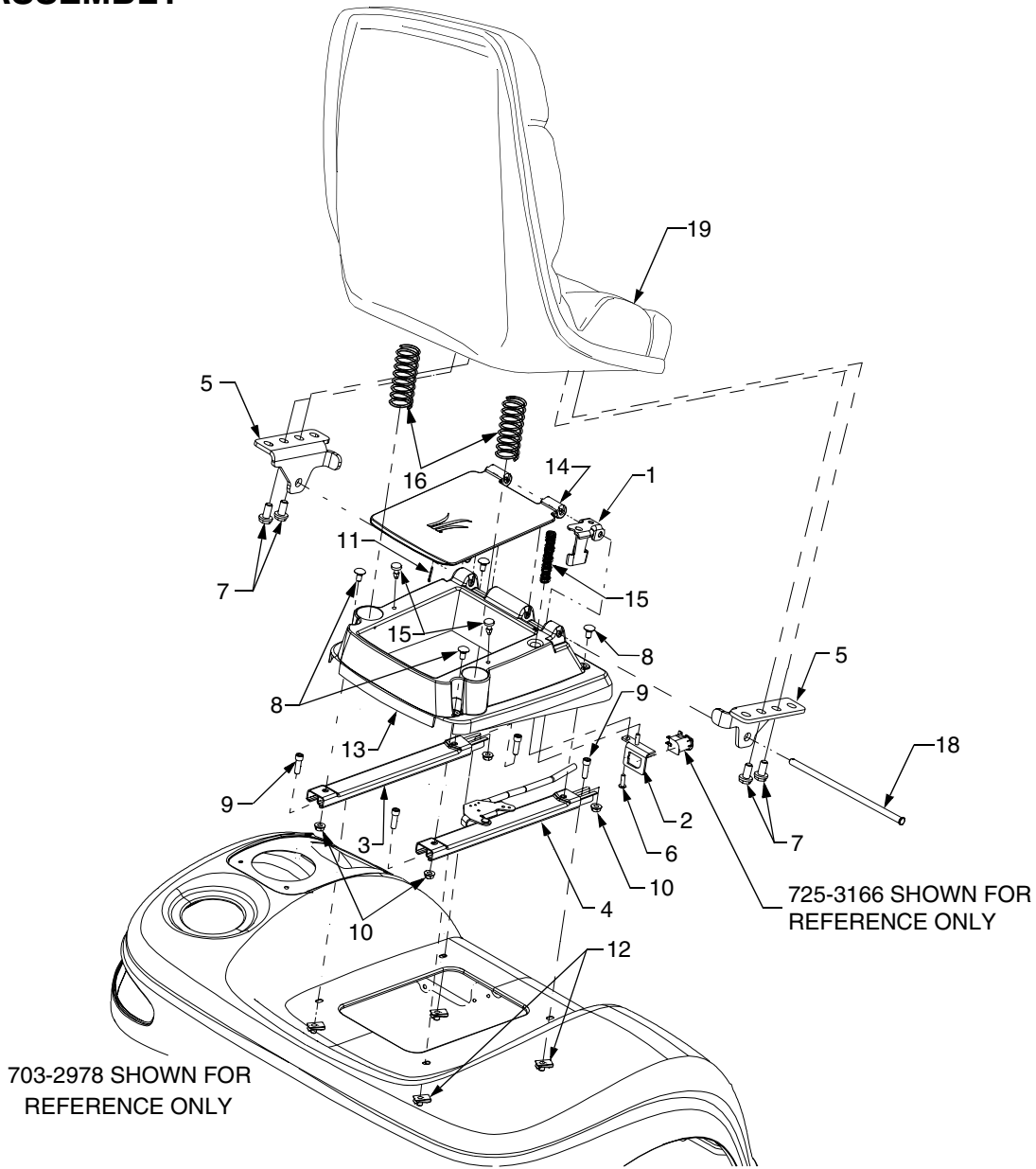
REF. NO.	PART NUMBER	CODE DESCRIPTION	QTY.	REF. NO.	PART NUMBER	CODE DESCRIPTION	QTY.
1	603-0586	Control Assembly, Throttle/Choke	1	12	712-0397	Wing Nut, 1/4-20 w/Bell Washer	4
2	631-0076	Boot, Tilt Steer	1	13	723-0511-37	Seal, Screen Cut to fit screen	2
3	631-3014A 777120183	Dash Panel Graphic, Monitor Light Cover	1	14	725-1346	Nut, Ignition Switch, 5/8-32	1
4	759-3476A	Key, Ignition (Set of 2)	1	15	725-1347	Cap, Ignition Switch	1
5	703-3072	Screen, Dash	1	16	725-3159	Hour Meter	1
6	703-3162	Plate, PTO Handle	1	17	725-3256	Switch, PTO	1
7	710-0134	Carriage Bolt, 1/4-20 x .62	4	18	726-0233	Nut, Push	4
8	710-0294	Screw, Hex Cap 1/4-20 x .375 GR5	2	19	731-3209	Steering Wheel	1
9	710-1260A	Screw, Hex Wash. Hd. Tapp 5/16-18 x .75	2	20	731-3210	Cover, Steering Wheel	1
10	710-3013	Screw, Hex Cap 1/4-20 x .50 GR5	3	21	731-3241	Handle, PTO Switch	1
11	712-0237	Nut, Hex Lock, 5/16-24	1	22	736-3070	Washer, Flat, .34 x 1.5 x .10	1
				23	783-0462	Bracket, PTO Switch Retainer	1
				24	629-3079	Harness, PTO Adapter	1

PEDESTAL AND CONNECTIONS



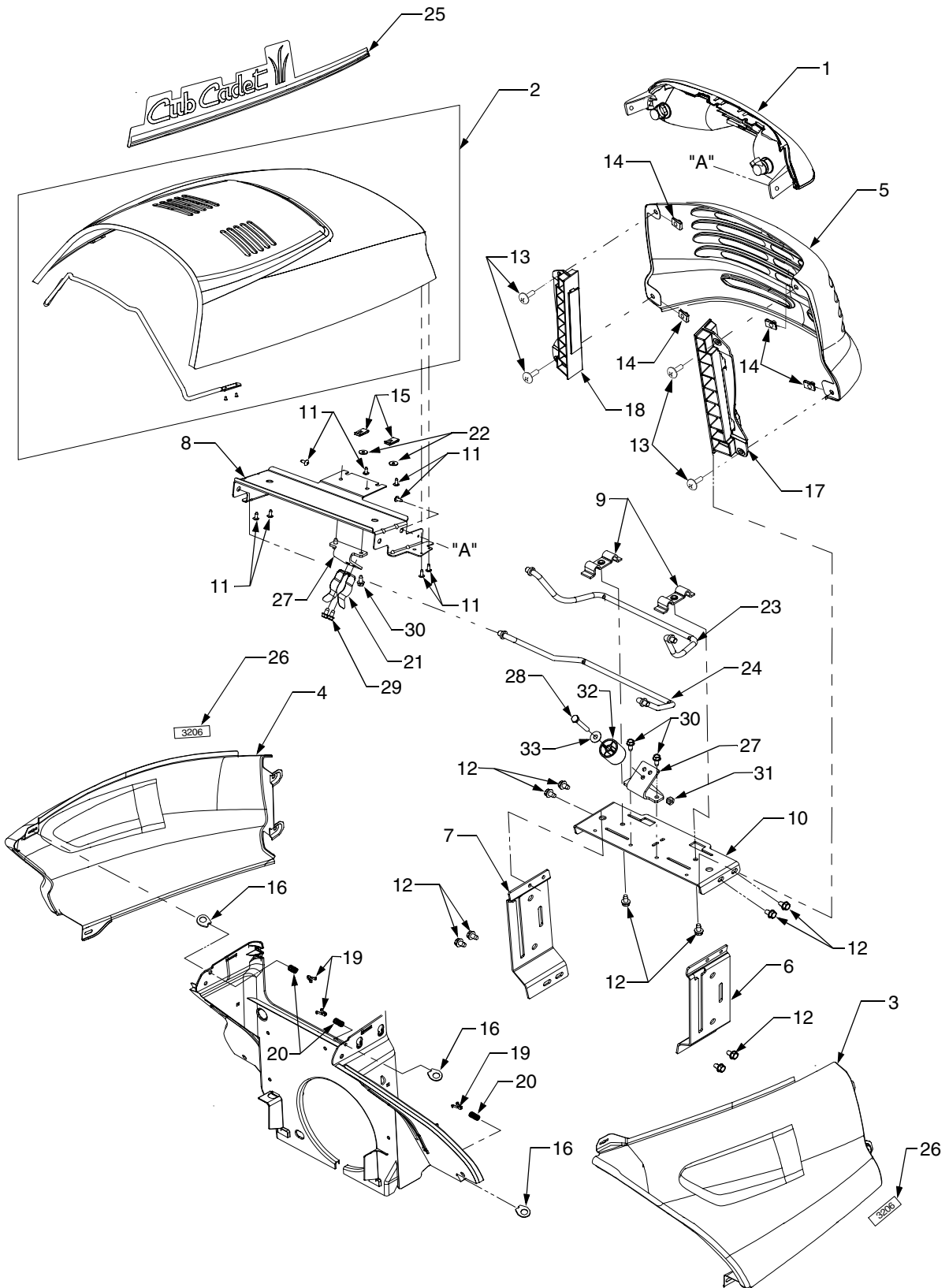
REF. NO.	PART NUMBER	CODE	DESCRIPTION	QTY.	REF. NO.	PART NUMBER	CODE	DESCRIPTION	QTY.
1	603-0386A	0637	Pedestal Assembly	1	14	732-0696		Hook, Wire Rectangular	2
2	603-0587		Handle, Tilt	1	15	732-0870		Spring, Compression, .676 x 2.57	1
	777120861		Graphic, Tilt Steering Handle	1	16	732-0932		Spring, Extension	2
3	710-0136		Screw, Hex Cap	4	17	735-0258		Boot, Tilt Wheel Coupling	1
			1/4-20 x 1.75 GR5		18	735-0269		Boot, Shaft Cover	1
4	710-0597		Screw, Hex Cap	2	19	736-3020		Washer, Flat, .271 x .63 x .065 ..	2
			1/4-20 x 1.0 GR5		20	738-3164		Shaft, Upper Steering	1
5	710-1260A		Screw, Hex Wash. Hd. Tapp	6	21	741-3085		Bearing, Sleeve, 1.44 x 1.5 x .812 ..	1
			5/16-18 x .75		22	747-3327		Rod, Cruise Control	1
6	711-1180		Shaft, Lower Steering	1	23	747-3328		Rod, Parking Brake	1
7	712-0324		Nut, Hex Insert Lock, 1/4-20	6	24	747-3354		Rod, Cruise/Brake Pivot	1
8	714-0104		Pin, Internal Cotter	2	25	748-3067		Housing, Tilt Wheel Coupling	1
9	716-0115		Ring, Retaining, .56 Dia Shaft	1	26	748-3068		Coupling Half, Bottom	1
10	723-0467		Strap, Battery	1	27	748-3069		Coupling Half, Top	1
			(Includes Ref No. 14)		28	748-3083		Index, Tilt Steering	1
11	725-3255		Battery	1	29	748-3084A		Block, Tilt Steering	1
12	731-3225		Lever, Park Brake	1	30	736-0275		Washer, Flat, .344 x .688 x .065 ..	2
13	731-3226		Lever, Cruise	1					

SEAT ASSEMBLY



REF. NO.	PART NUMBER	CODE	DESCRIPTION	QTY.	REF. NO.	PART NUMBER	CODE	DESCRIPTION	QTY.
1	703-3166A	0637	Bracket, Seat Switch	1	10	712-3004A		Nut, Hex Flange Lock, 5/16-18 .	4
2	703-3173	0637	Bracket, Switch Mounting	1	11	714-0507		Pin, Cotter, 3/32 x .75	1
3	703-3208		Track, Seat, w/o Latch	1	12	726-0211		Speed Nut, U-Type, 5/16-18	4
4	703-3431		Track, Seat, w/Latch	1	13	731-3240A		Base, Seat	1
5	703-3888		Bracket, Seat	2	14	731-3244		Lid, Tlxb	1
6	710-0748		Screw, Pan Torx Hd., #12-14 x .5	2	15	732-1001		Spring, Compression	1
7	710-0759		Screw, Hex Wash. Hd. 5/16-18 x .625	4	16	732-1163		Spring, Compression	2
8	710-1636		Carriage Bolt, 5/16-18 x .62	4	17	735-0271		Bumper	2
9	710-1669		Screw, Pan Torx Hd. 5/16-18 x 1.0	4	18	747-3357A		Rod, Seat Pivot	1
					19	757-3015		Seat, High Back	1
						777D04541		Graphic, Reflector	1
						777D01782		Graphic, USA	1

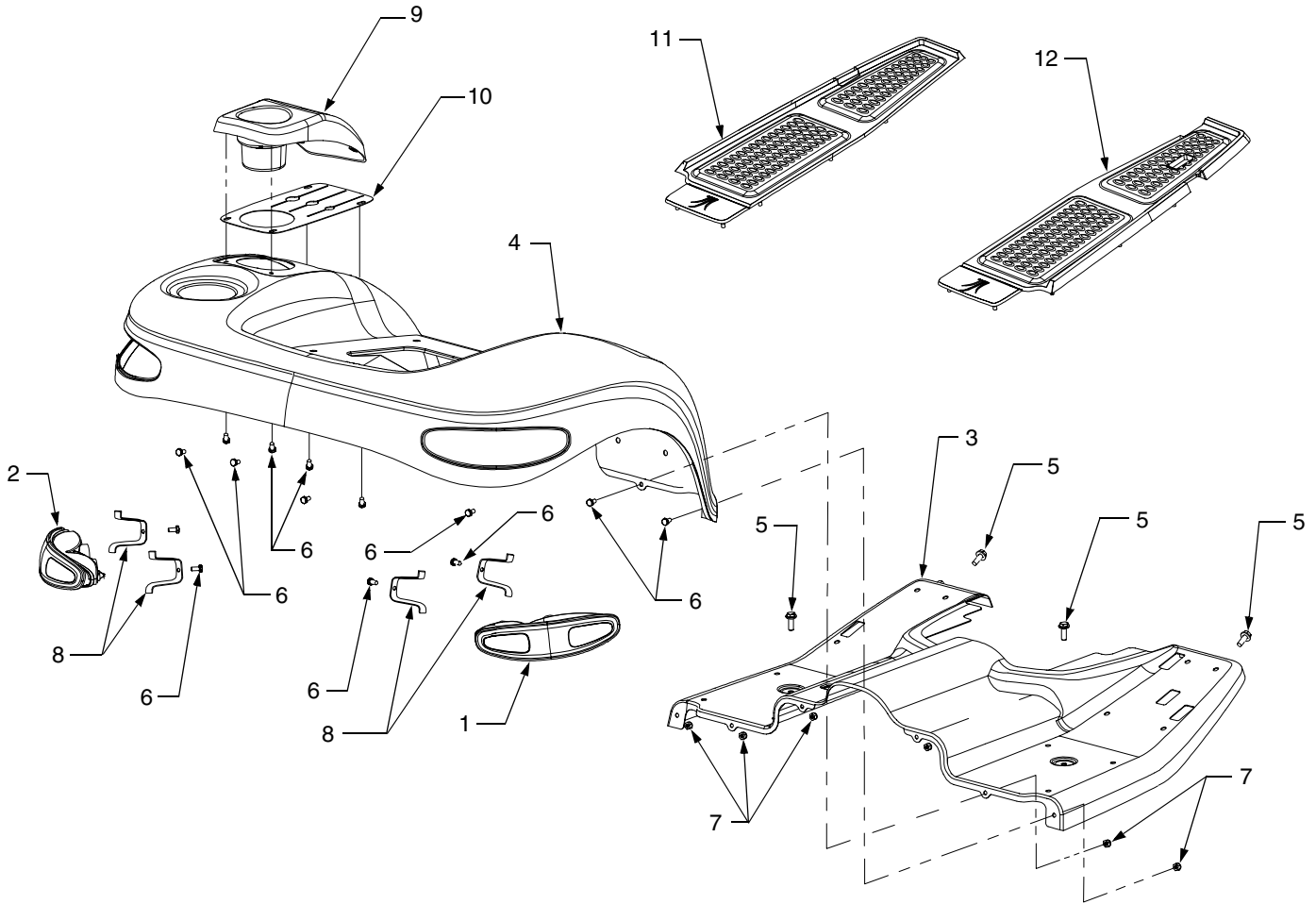
HOOD, GRILLE AND SIDE PANELS



HOOD, GRILLE AND SIDE PANELS

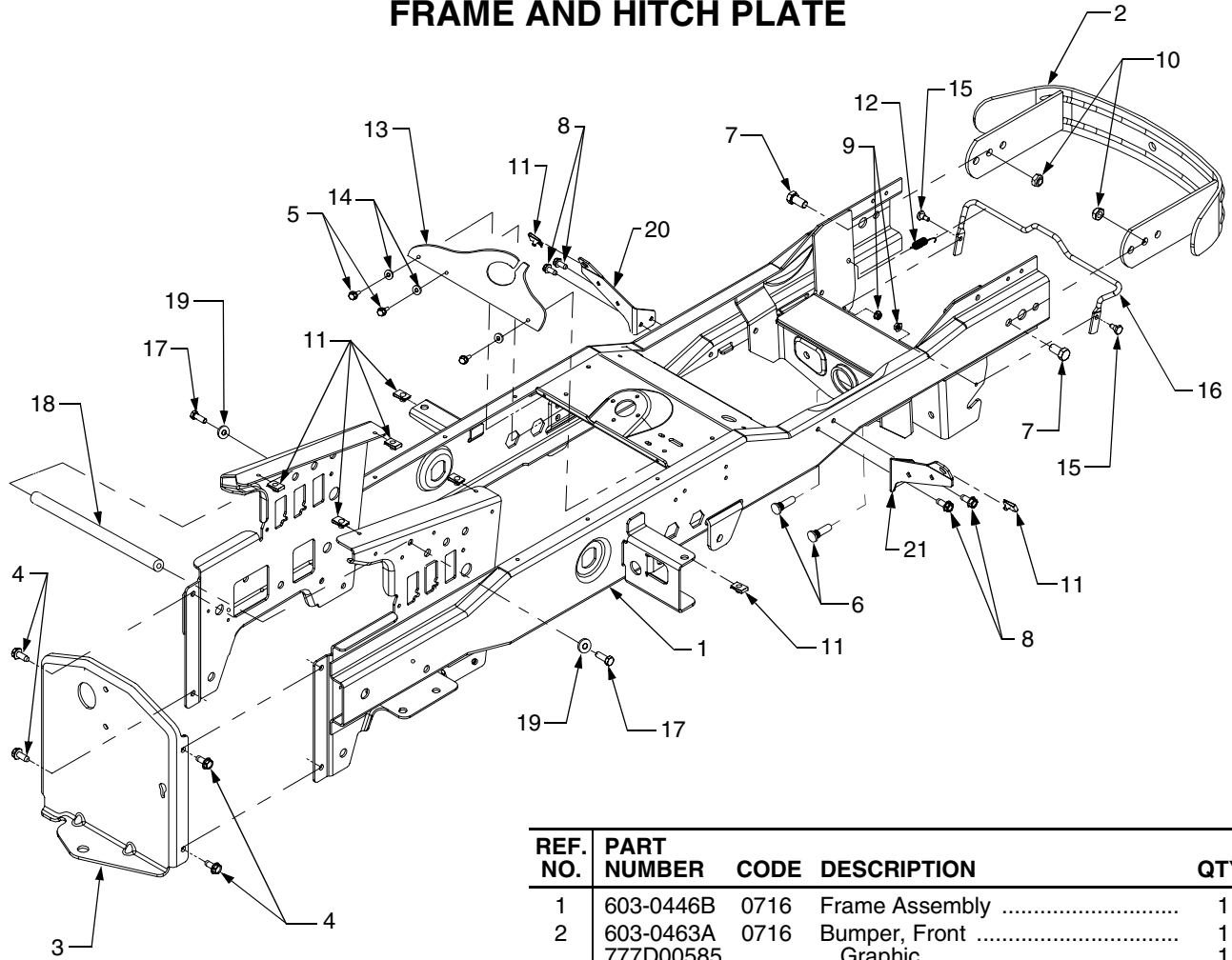
REF. NO.	PART NUMBER	CODE	DESCRIPTION	QTY.
1	625-0053		Headlight Assembly (Lens glued to reflector)	1
	725-0963		Bulb, Headlight	2
	725-1649		Socket Assembly, Headlight	2
2	759-04001	0499	Hood w/Support Rod Assembly	1
3	703-2946	0499	Side Panel, RH	1
4	703-2947	0499	Side Panel, LH	1
5	703-2950	0499	Grille, Series 3000	1
	777120314		Graphic, Warning	1
6	703-2984	0716	Support, Grille - RH	1
7	703-2985	0716	Support, Grille - LH	1
8	703-3070B	0499	Bracket, Upper Hood	1
	777S30538		Graphic, Hot Surface	1
9	703-3071		Bracket, Rod Retainer	2
10	703-3101B	0716	Support, Hood	1
11	710-0351		Screw, Truss Hd, Tapp, #10-16 x .5	8
12	710-0607		Screw, Hex Wash. Hd. Tapp	10
			5/16-18 x .5	
13	710-0924		Screw, Phil. Pan Hd.	4
			1/4-20 x .75	
14	726-3054		Nut, U Type Speed, 1/4-20	4
15	726-0139		Nut, U-type Speed, #10	2
16	726-3056		Latch, 1/4 Turn	4
17	731-3227		Mount, Side Panel/Grille RH	1
18	731-3228		Mount, Side Panel/Grille LH	1
19	732-0936		Clip, Spring	4
20	732-0937		Spring, Compression	4
21	732-1178		Spring, Hood Latch	1
22	736-0400		Washer, Flat, .194 x .62 x .063	2
23	747-3478		Rod, Upper Hood	1
24	747-3338		Rod, Lower Hood	1
25	777D03265		Graphic, Hood - RH	1
	777D03266		Graphic, Hood - LH	1
26	777D03275		Graphic, 3206	2
27	703-4088	0716	Bracket, Hood Latch Support	2
28	710-0136		Screw, Hex Cap, 1/4-20 x 1.75 GR5	1
29	710-0599		Screw, Hex Wash Hd Tapp,	2
			1/4-20 x .5	
30	710-1005		Screw, Hex Wash Hd Tapp,	4
			1/4-14 x .5	
31	712-3051		Nut, Hex Top Lock, 1/4-20	1
32	731-3232		Roller, Hood Latch	1
33	736-0342		Washer, Flat, .283 x .75 x .030	1

FENDER AND RUNNING BOARD



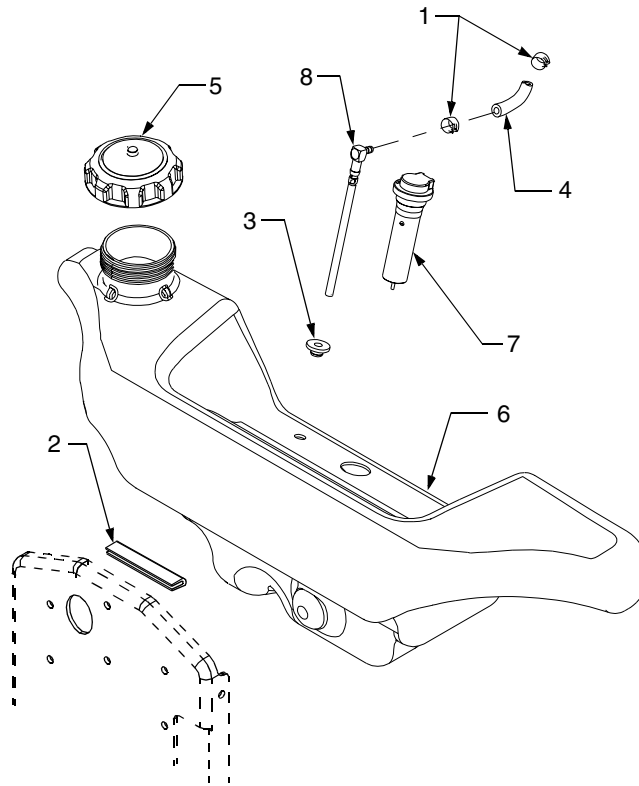
REF. NO.	PART NUMBER	CODE	DESCRIPTION	QTY.
1	625-0023B		Light Assembly, Rear RH	1
	725-3262		Bulb Only, Tail Light	1
	725-3263		Bulb Only, Reverse Indicator Light	1
2	625-0024B		Light Assembly, Rear LH	1
	725-3262		Bulb Only, Tail Light	1
	725-3263		Bulb Only, Reverse Indicator Light	1
3	703-3622	0716	Running Board	1
	777D04383		Graphic, All Shaft Drive	2
	777I20860		Graphic, Starting Instructions	1
	777I20859		Graphic, Height Adjustment	1
	777S30017		Graphic, Warning	1
4	703-2978	0716	Fender	1
	777D04715		Graphic, 3000 Series	1
5	710-0602		Screw, Hex Wash. Hd. Tapp	4
			5/16-18 x 1.0	
6	710-3013		Screw, Hex Cap, 1/4-20 x .5 GR5 .	14
7	712-0324		Nut, Hex Lock, 1/4-20	6
8	726-3057A		Clip, Tail Light	4
9	731-3239		Cover, Lift Lever	1
10	731-3253		Flap, Lift Lever	1
11	735-0275		Pad. Floor LH	1
12	735-0276		Pad. Floor RH	1

FRAME AND HITCH PLATE



REF. NO.	PART NUMBER	CODE	DESCRIPTION	QTY.
1	603-0446B	0716	Frame Assembly	1
2	603-0463A 777D00585	0716	Bumper, Front	1
3	703-3546 777120773 777S30265	0716	Hitch Plate	1
			Graphic, Trans. Release	1
			Graphic, Trans. Oil	1
4	710-0623		Screw, Hex Wash. Hd. Tapp	4
			3/8-16 x .75	
5	710-0599		Screw, Hex Wash. Hd. Tapp	3
			1/4-20 x .5	
6	710-0617		Screw, Round Hd., 3/8-24	2
7	710-3131		Screw, Hex Cap	2
			1/2-13 x 1.0 GR5	
8	710-1260A		Screw, Hex Wash. Hd. Tapp	4
			5/16-18 x .75	
9	712-3027		Nut, Hex Flange Lock, 1/4-20	2
10	712-3083		Nut, Hex Lock, 1/2-13	2
11	726-0211		Speed Nut, U-Type, 5/16-18	8
12	732-3002		Spring, Extension	1
13	735-0653		Flap, Intk.	1
14	736-0342		Washer, Flat, .283 x .75 x .030	3
15	738-0704		Shoulder Screw, .312 x .18	2
16	747-3336		Rod, Front Latch	1
17	710-3038		Screw, Hex Cap, 5/16-18 x .875	2
18	711-1333		Shaft, Frame Brace	1
19	736-3008		Washer, Flat, .344 x .75 x .12	2
20	703-3417	0716	Bracket, Running Board LH	1
21	703-3418	0716	Bracket, Running Board RH	1

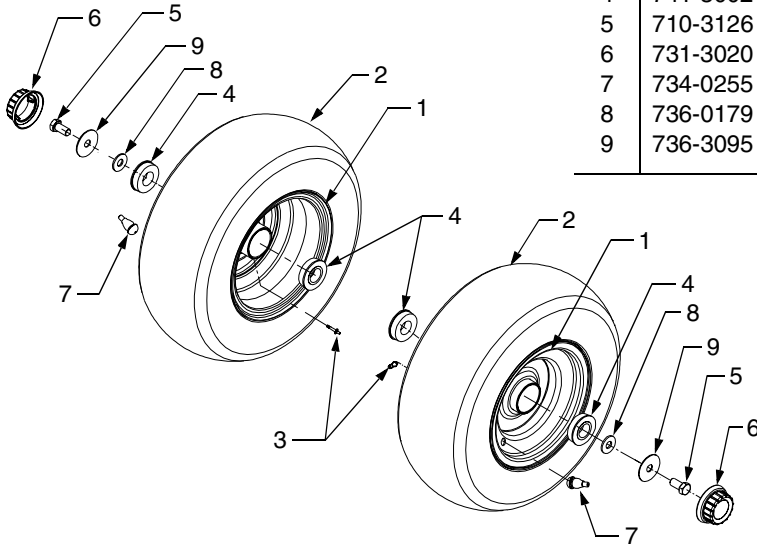
FUEL TANK



REF. NO.	PART NUMBER	DESCRIPTION	QTY.
1	726-0205	Clamp, Hose	2
2	731-3268	Trim, Tank Protector	1
3	735-0149	Bushing, Rubber	1
4	751-0535-60	Fuel Line	60in.
5	751-3124B	Cap, Fuel	1
6	751-3144B	Tank, Fuel, 4.5 Gallon	1
7	751-3161	Sensor, Low Fuel	1
	751-3146	Grommet	1
8	751-3162A	Fitting, Fuel Pickup	1

FRONT WHEELS

REF. NO.	PART NUMBER	CODE	DESCRIPTION	QTY.
1	734-3053	0499	Rim Assembly, Wheel	2
2	734-3193		Tire, Turf, 16 x 7.5 x 8.0	2
3	737-0224		Lube Fitting	2
4	741-3002		Bearing, Ball	4
5	710-3126		Screw, Hex Cap, 1/2-13 x 1.0 GR5	2
6	731-3020		Hubcap	2
7	734-0255		Valve, Tubeless Air	2
8	736-0179		Washer, Flat, .531 x 1.25 x .1	2
9	736-3095		Washer, Flat, .535 x 1.92 x .060	2



REAR WHEELS

REF. NO.	PART NUMBER	CODE	DESCRIPTION	QTY.
1	734-3194		Tire, Turf, 24 x 10.5 - 12	2
2	634-3053	0499	Rim Assembly, Wheel	2
3	734-0255		Valve, Tubeless Air	2
4	712-3050		Lug Nut, 7/16-14	8

