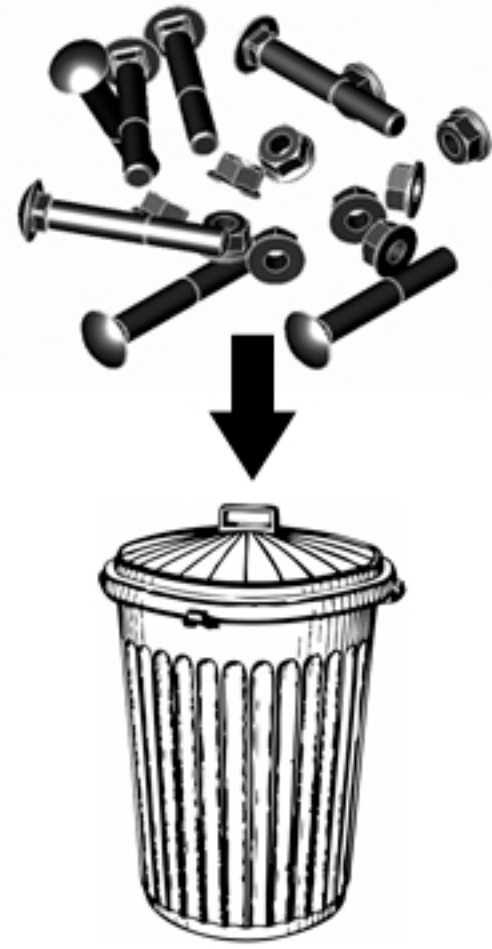
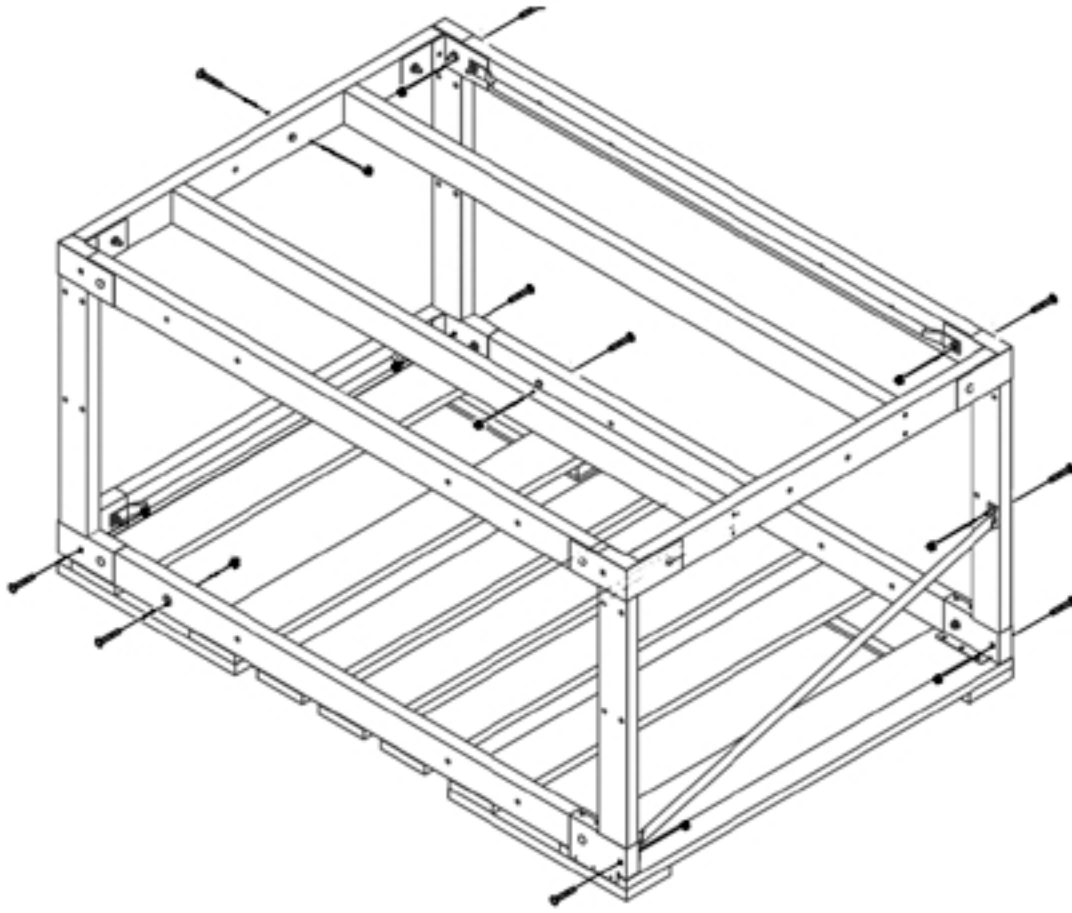
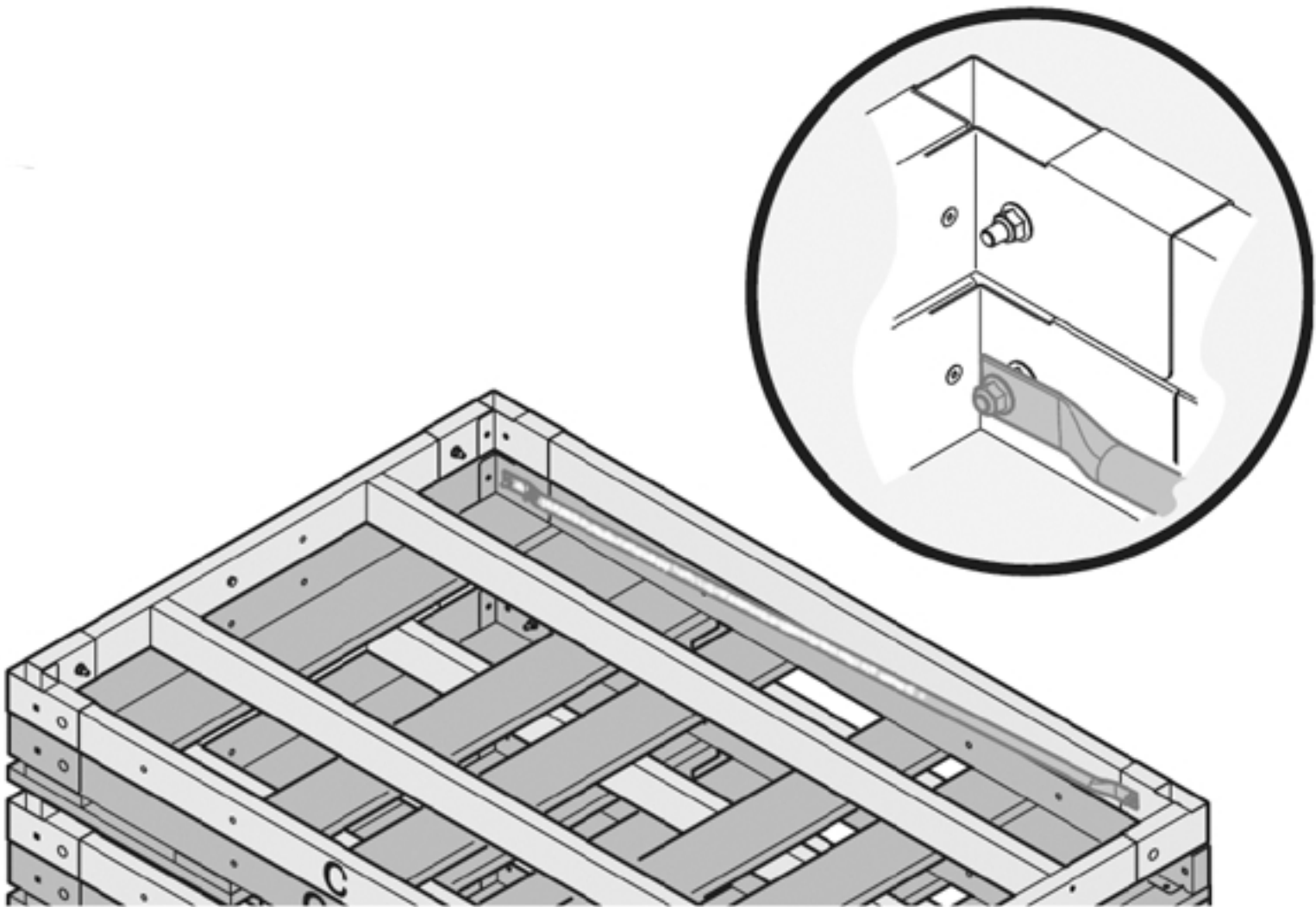


!! ATTENTION !!

INSTRUCTION CHANGES



DO NOT REPLACE REMOVED HARDWARE: DISCARD OR RECYCLE



TO HELP KEEP STACKS STABLE, SAVE TWO NUTS AND FASTEN LOOSE ENDS OF TOP BRACES TO BOLTS ON BASE. FINGER TIGHTEN.