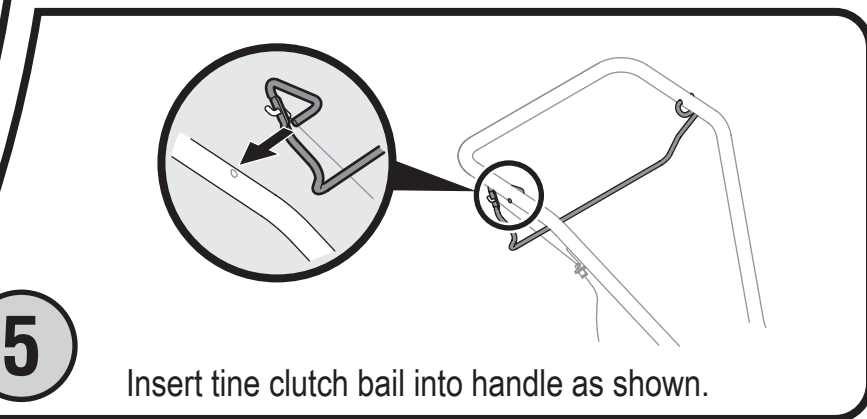
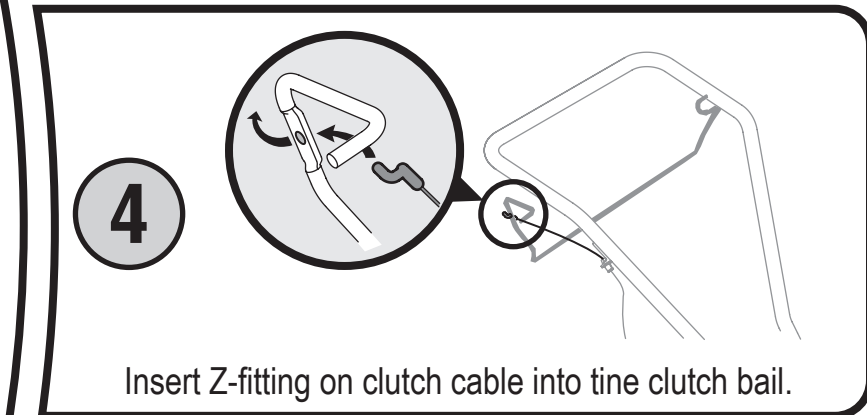
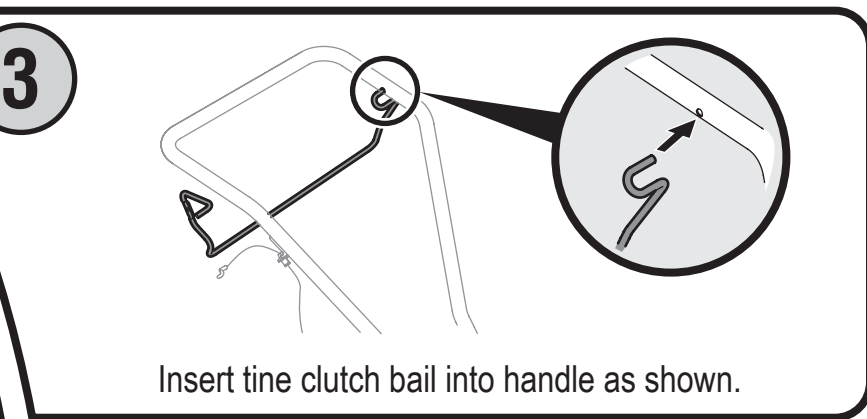
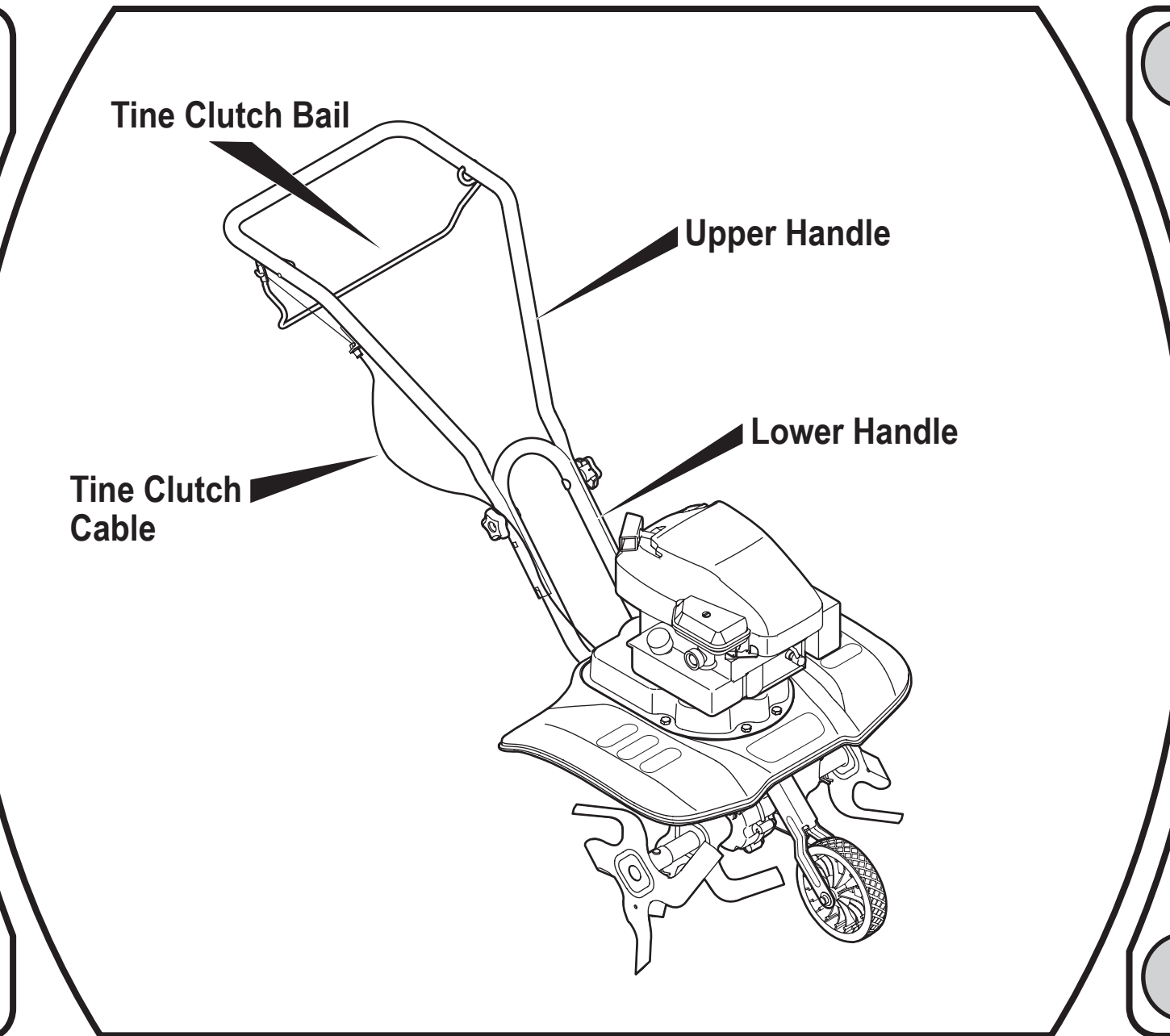
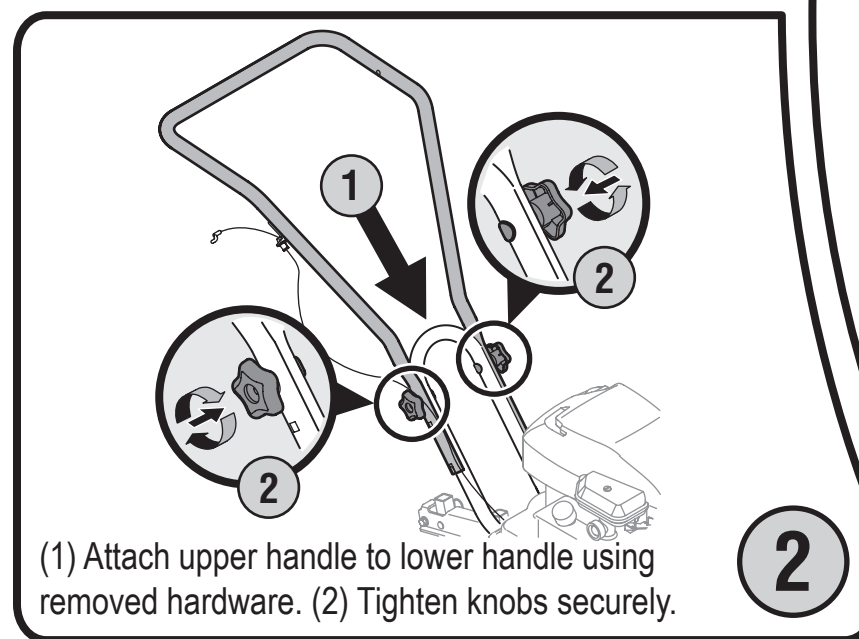
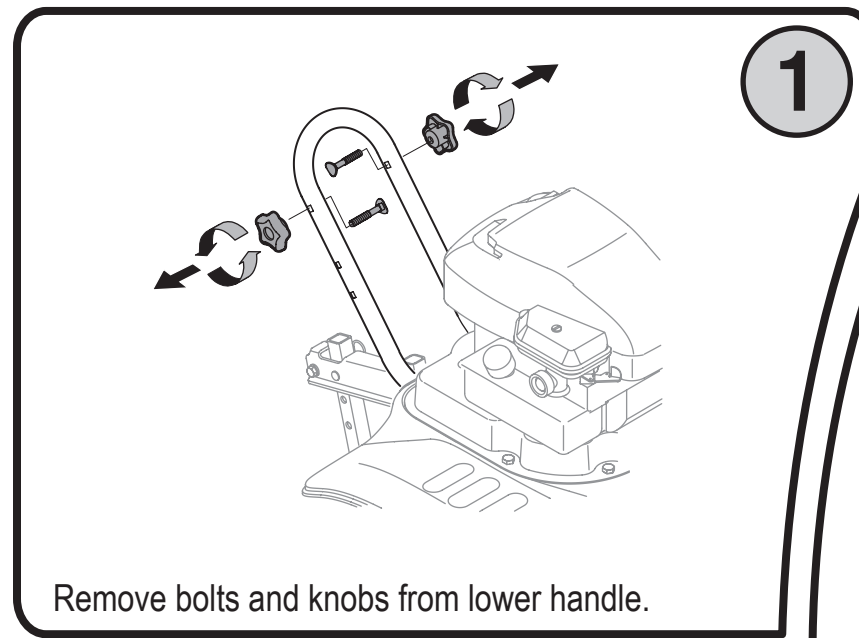
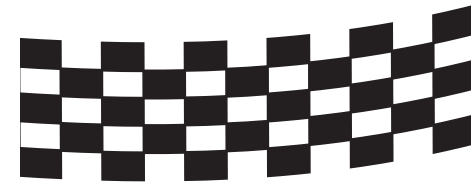
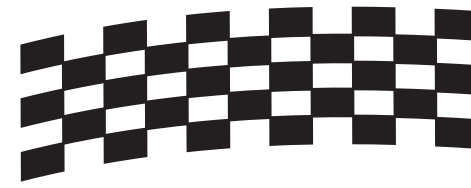
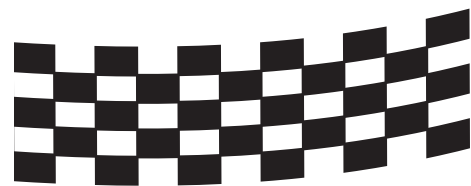
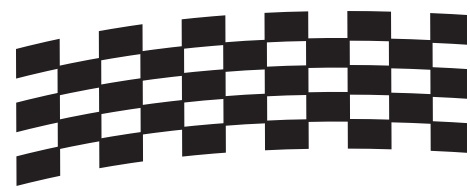


Read and understand all instruction, warning, and danger labels.

Lea el manual de operación anexo sobre ensamblaje e inicio.

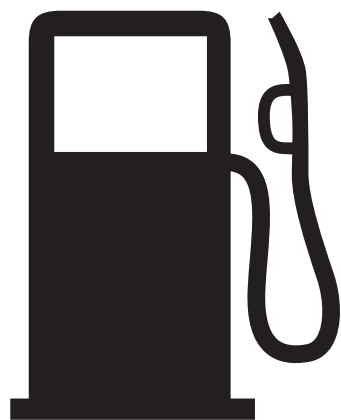




Read and understand all instruction, warning, and danger labels.

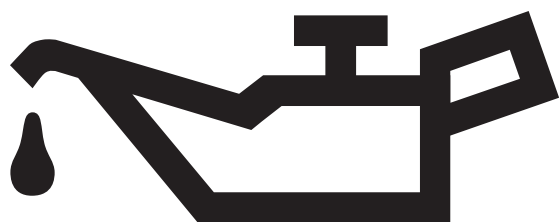
Lea el manual de operación anexo sobre ensamblaje e inicio.

6

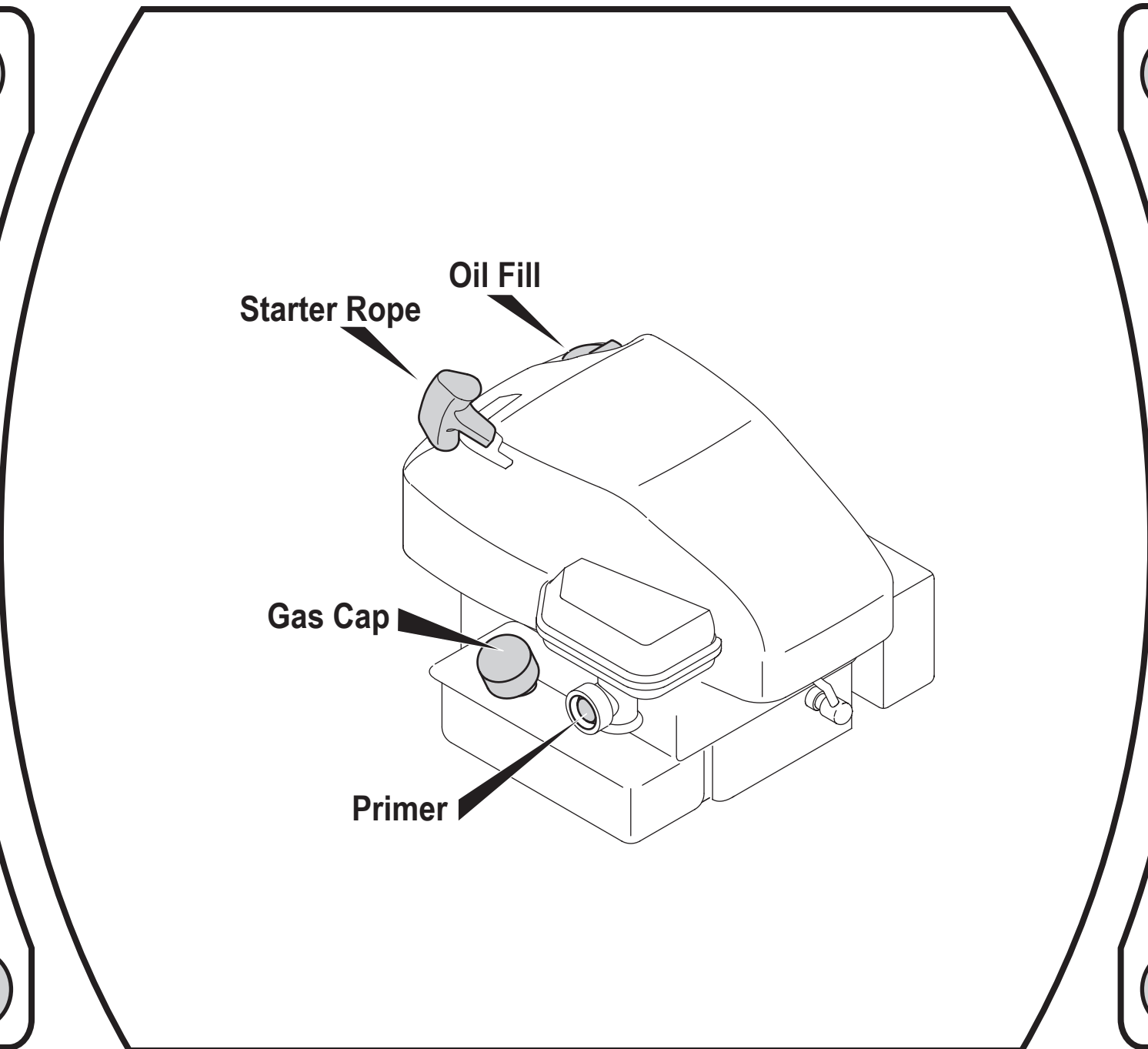


Fill tank with gas to within 1/2 inch of top of tank.

7

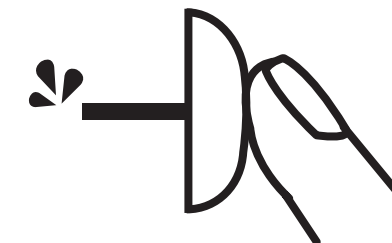


Fill engine with entire contents of oil bottle.



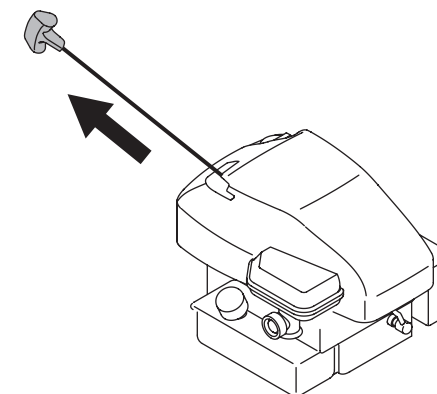
8

◀◀ 5X ▶▶



Push primer five times.

9



Pull starter rope with quick, full arm stroke. If engine does not start after five pulls, repeat steps 8 through 9.



IMPORTANT: READ OPERATOR'S MANUAL AND ENGINE MANUAL THOROUGHLY AND FOLLOW THE SAFE OPERATION PRACTICES BEFORE OPERATING.

