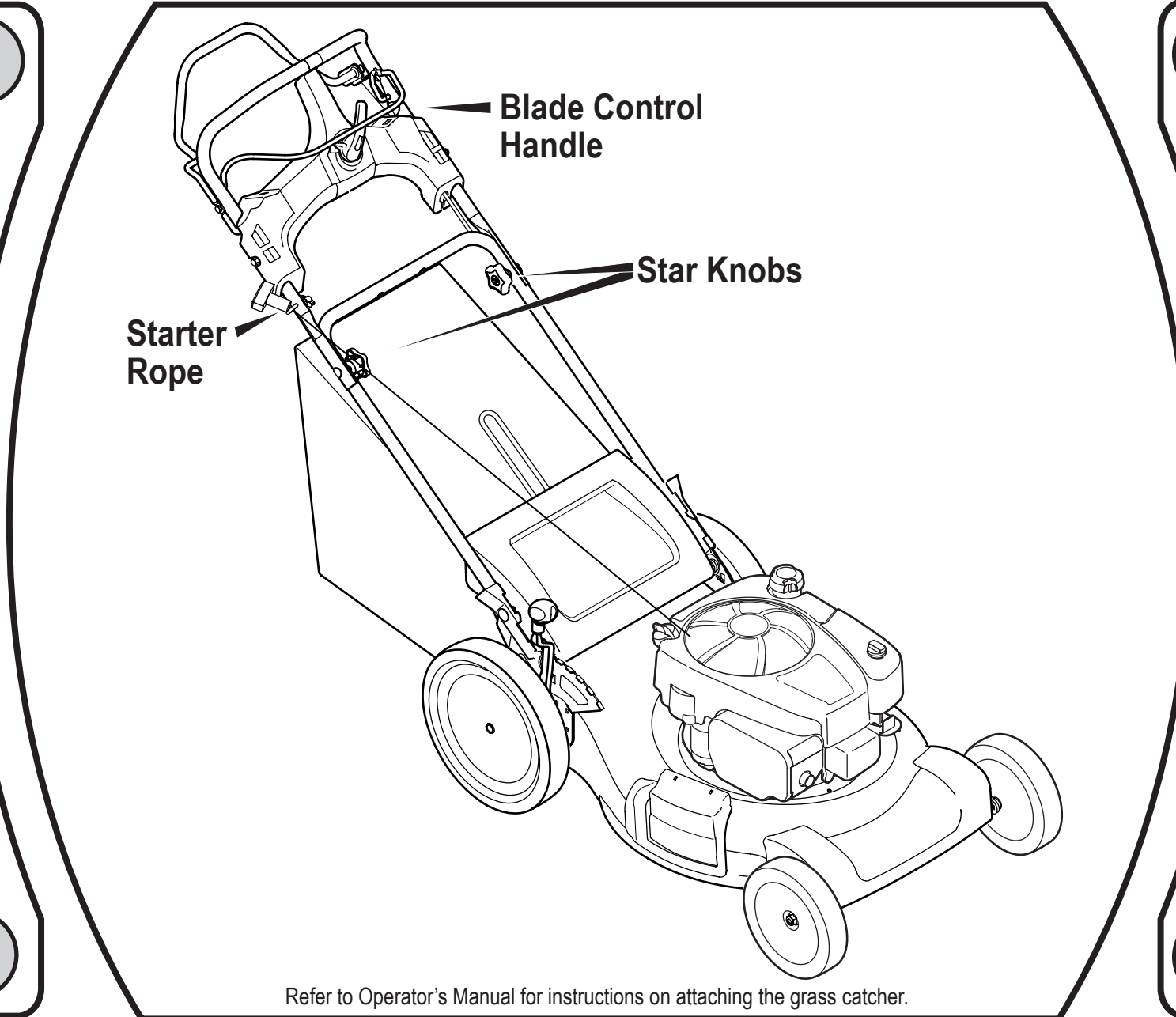
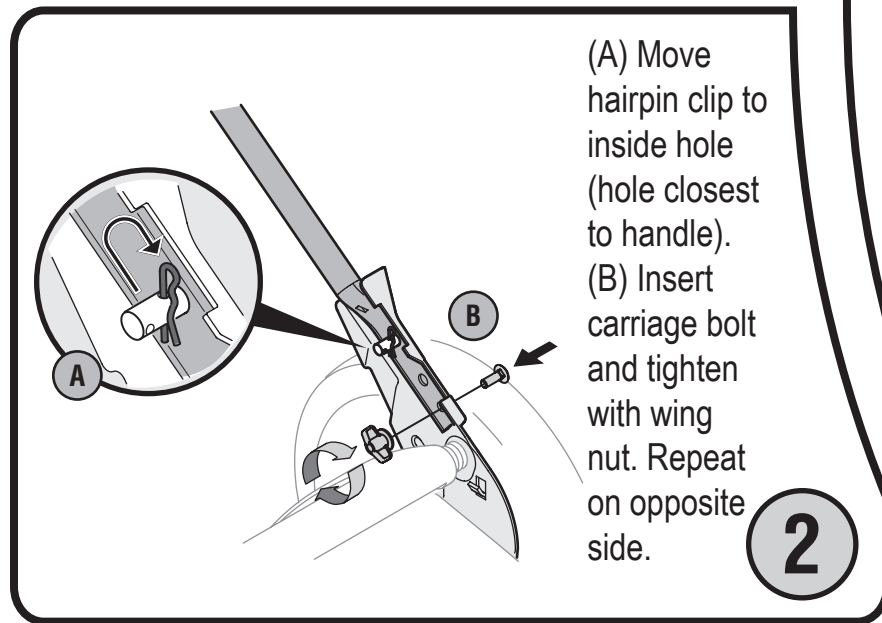
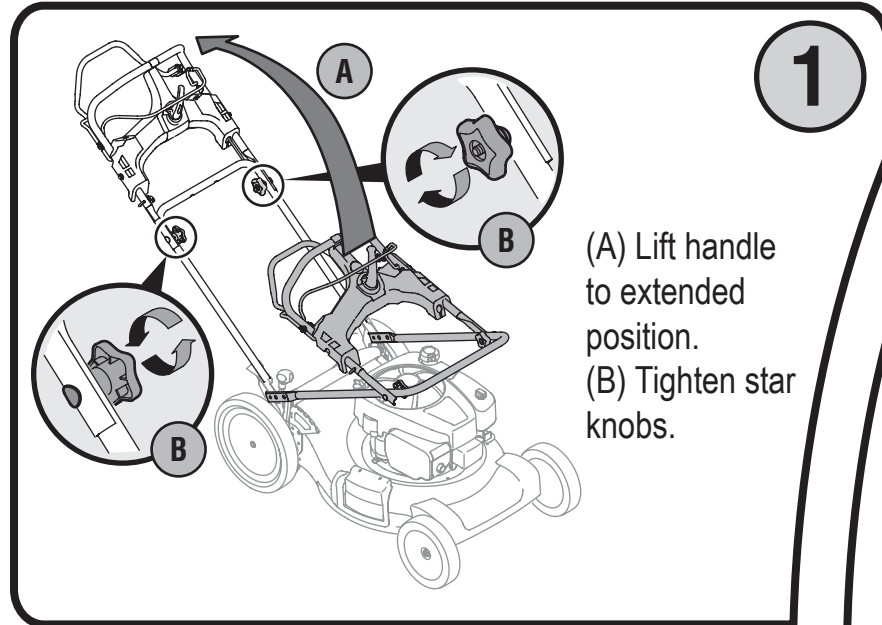
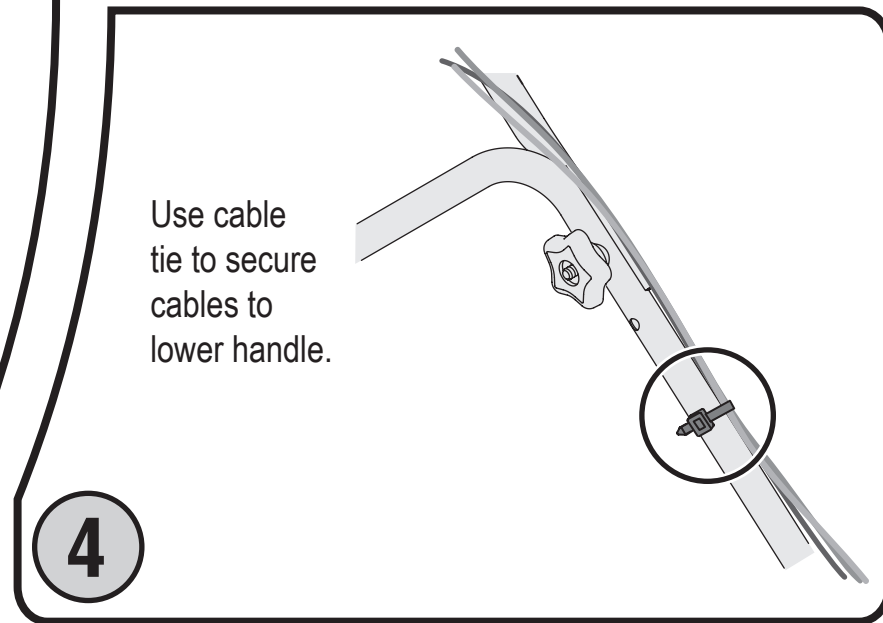
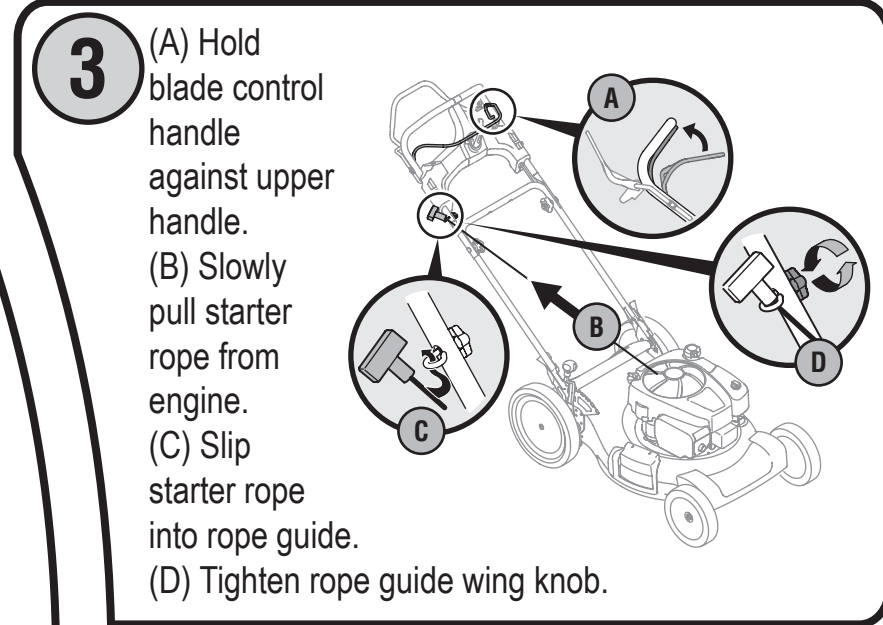


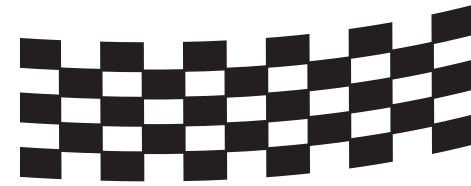
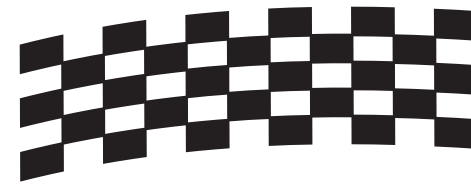
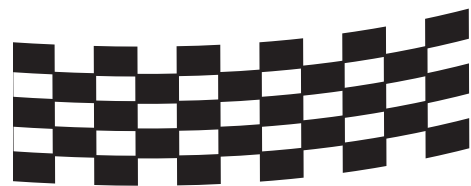
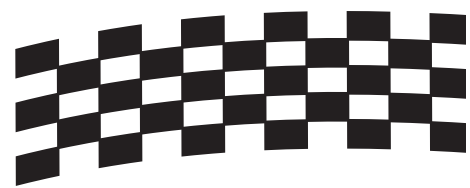
Read and understand all instruction, warning, and danger labels.

Lea el manual de operación anexo sobre ensamblaje e inicio.



Refer to Operator's Manual for instructions on attaching the grass catcher.

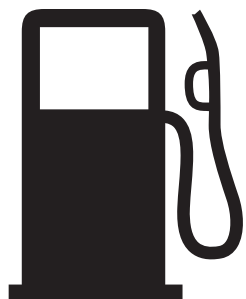




Read and understand all instruction, warning, and danger labels.

Lea el manual de operación anexo sobre ensamblaje e inicio.

5

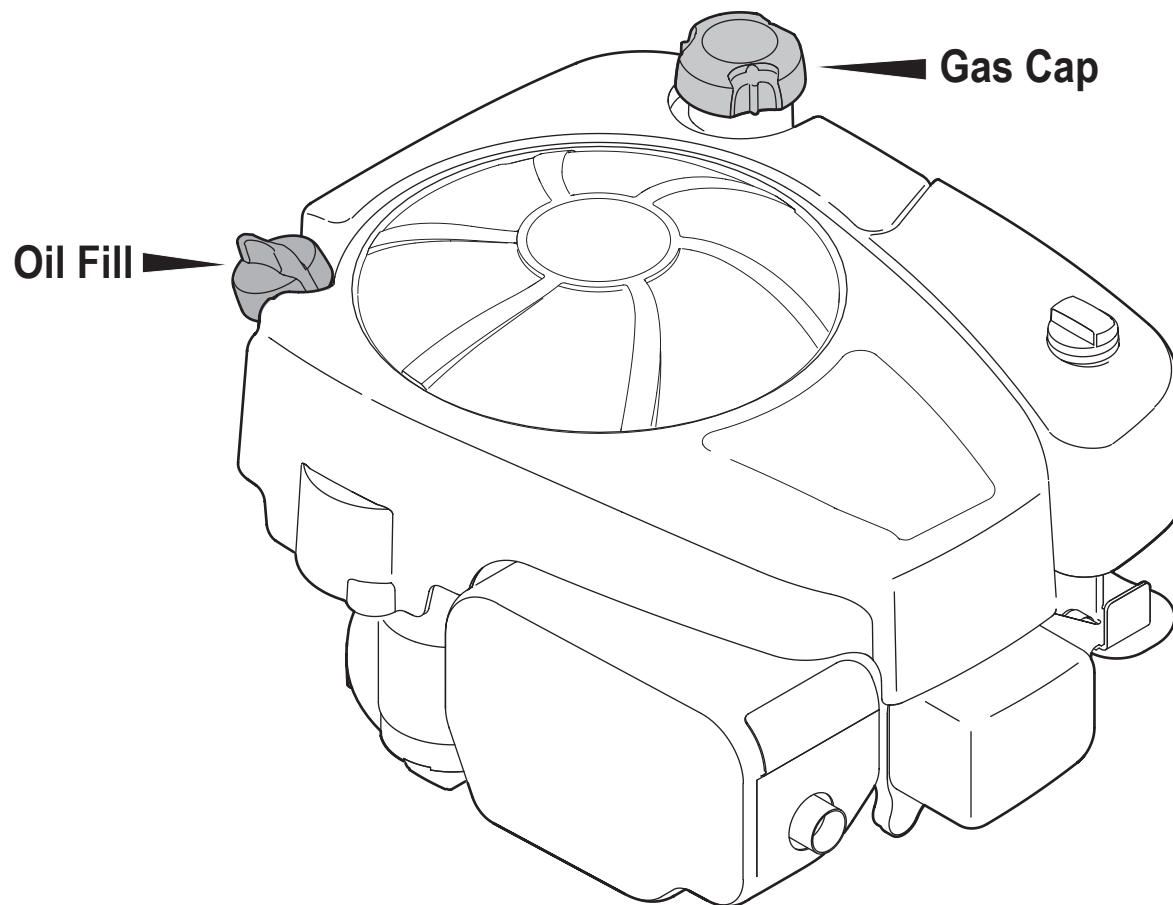


Fill tank with gas up to within 1/2-inch of top of tank. Do not overfill.

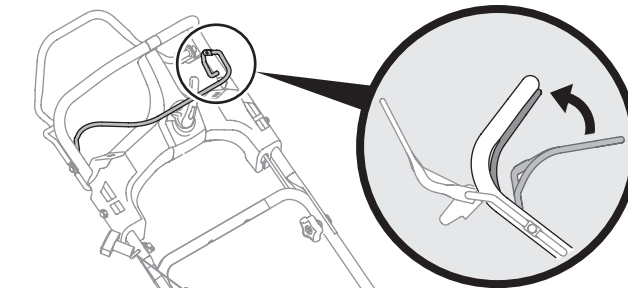
6



Fill engine with entire contents of oil bottle supplied. Do not overfill.

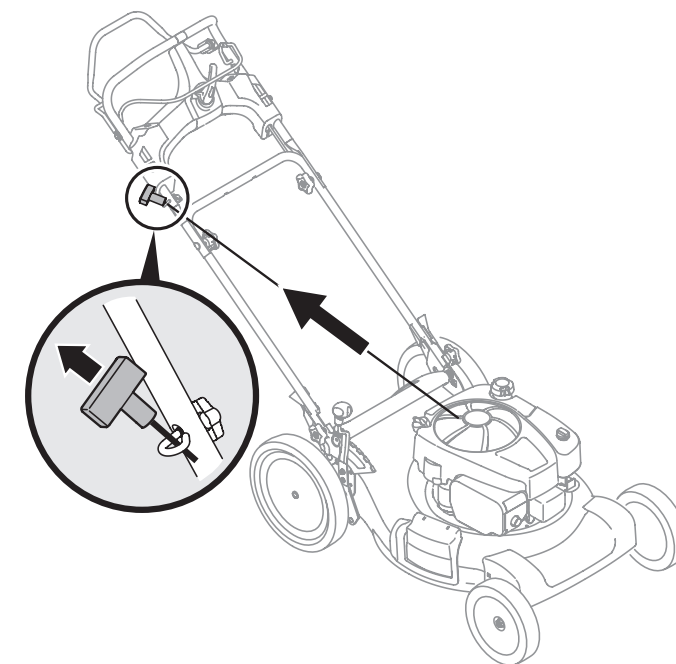


7



Depress blade control handle and hold.

8



Pull starter rope with quick, full arm stroke. If engine does not start after three attempts, wait a few minutes and repeat steps 7 through 8.

Need Help?

Call 1-888-TO-HELP-U



IMPORTANT: READ OPERATOR'S MANUAL AND ENGINE MANUAL THOROUGHLY AND FOLLOW THE SAFE OPERATION PRACTICES BEFORE OPERATING .

