

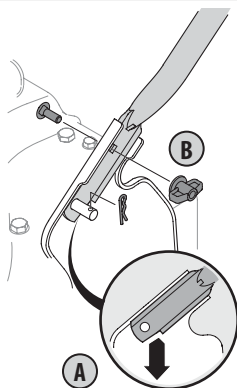


**READ AND UNDERSTAND ALL INSTRUCTION, WARNING, AND DANGER LABELS.  
PARA INSTRUCCIONES EN ESPAÑOL, REFIÉRASE AL MANUAL DEL OPERADOR.**



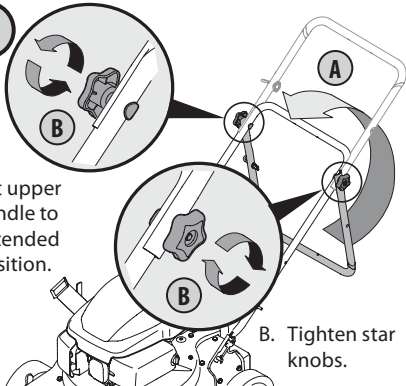
**1**

- A. Attach ends of lower handle to handle brackets with notch in handle pointing downward towards the ground.
- B. Secure using the hairpins clips, carriage screws, and wing nuts.



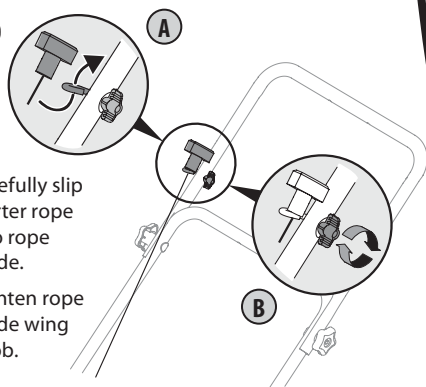
**2**

- A. Lift upper handle to extended position.
- B. Tighten star knobs.

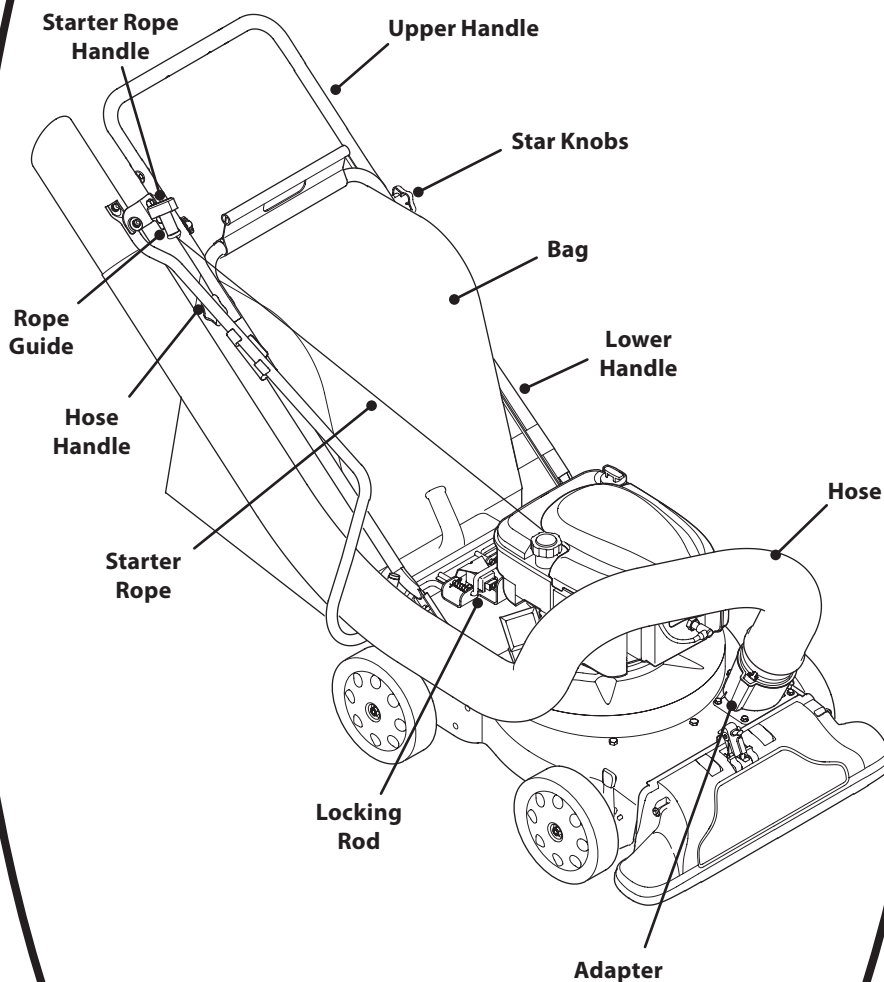


**3**

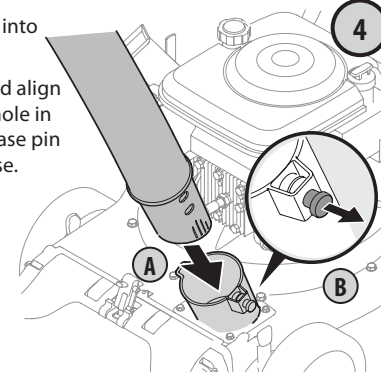
- A. Carefully slip starter rope into rope guide.
- B. Tighten rope guide wing knob.



# FAST START GUIDE

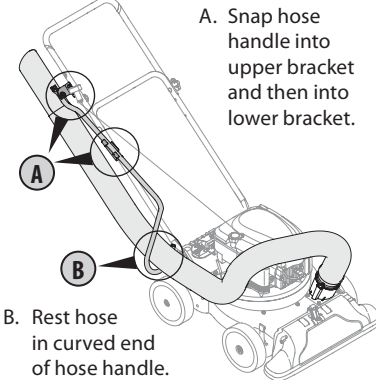


- A. Slide hose into adapter.
- B. Pull pin and align with first hole in hose. Release pin to lock hose.



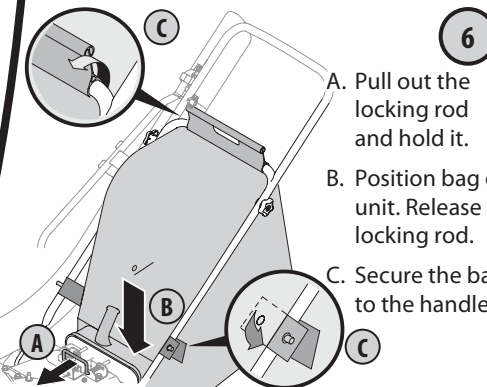
**4**

- A. Snap hose handle into upper bracket and then into lower bracket.



**5**

- B. Rest hose in curved end of hose handle.



**6**

- A. Pull out the locking rod and hold it.
- B. Position bag on unit. Release locking rod.
- C. Secure the bag to the handle.



**IMPORTANT: READ OPERATOR'S MANUAL AND ENGINE MANUAL THOROUGHLY AND FOLLOW THE IMPORTANT SAFE OPERATION PRACTICES BEFORE OPERATING .**



**Need Help? Call 1-888-TO-HELP-U**



READ AND UNDERSTAND ALL INSTRUCTION, WARNING, AND DANGER LABELS.  
PARA INSTRUCCIONES EN ESPAÑOL, REFIÉRASE AL MANUAL DEL OPERADOR.



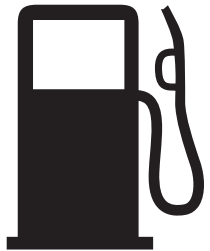
7

Pour the entire contents of the oil bottle (included in carton) into the oil fill.




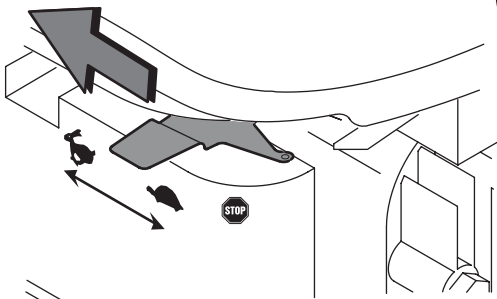
8

Fill fuel tank with clean, fresh gasoline. Do not fill above the base of fuel tank neck.

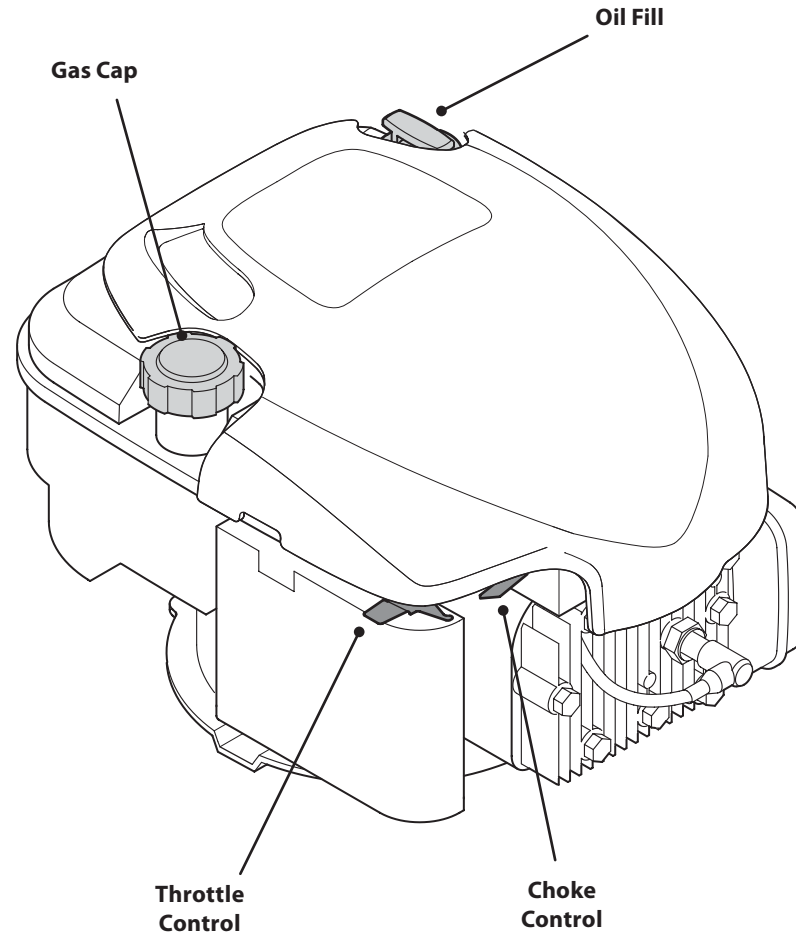


9


Move throttle control into the Fast  position.

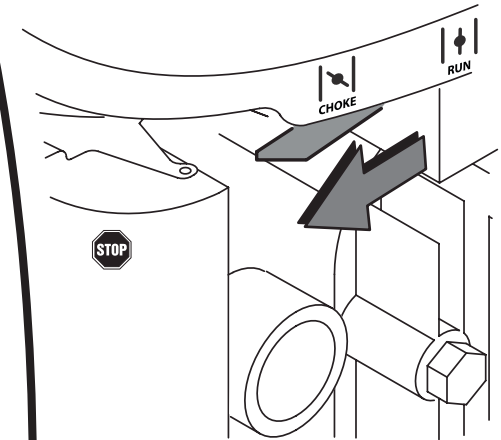


# FAST START GUIDE



10


Move the choke control into the Choke  position.

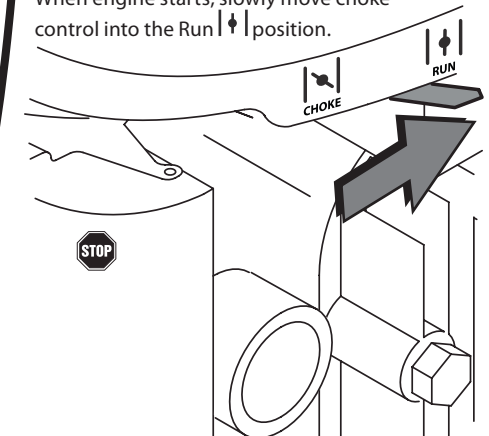


11

Grasp starter rope handle and pull with quick, full-arm stroke.

**Note:** Disregard a clanking noise coming from the impeller housing; it's normal.

When engine starts, slowly move choke control into the Run  position.



IMPORTANT: READ OPERATOR'S MANUAL AND ENGINE MANUAL THOROUGHLY AND FOLLOW THE IMPORTANT SAFE OPERATION PRACTICES BEFORE OPERATING .



Need Help? Call 1-888-TO-HELP-U