



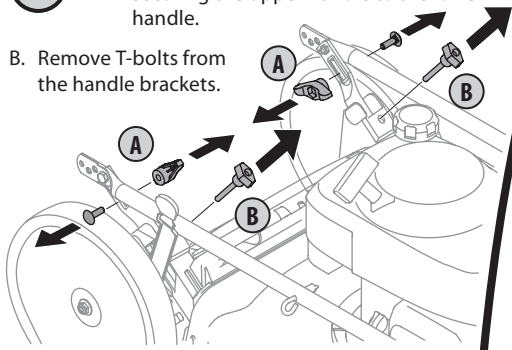
READ AND UNDERSTAND ALL INSTRUCTION, WARNING, AND DANGER LABELS.
 PARA INSTRUCCIONES EN ESPAÑOL, REFIÉRASE AL MANUAL DEL OPERADOR.



1

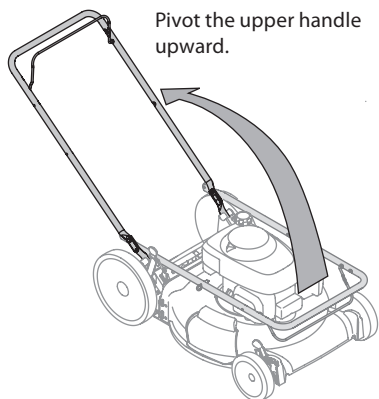
A. Remove the wing nuts and carriage bolts securing the upper handle to the lower handle.

B. Remove T-bolts from the handle brackets.



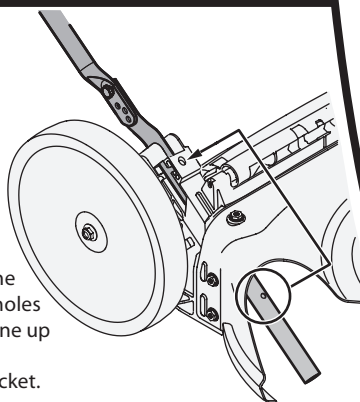
2

Pivot the upper handle upward.

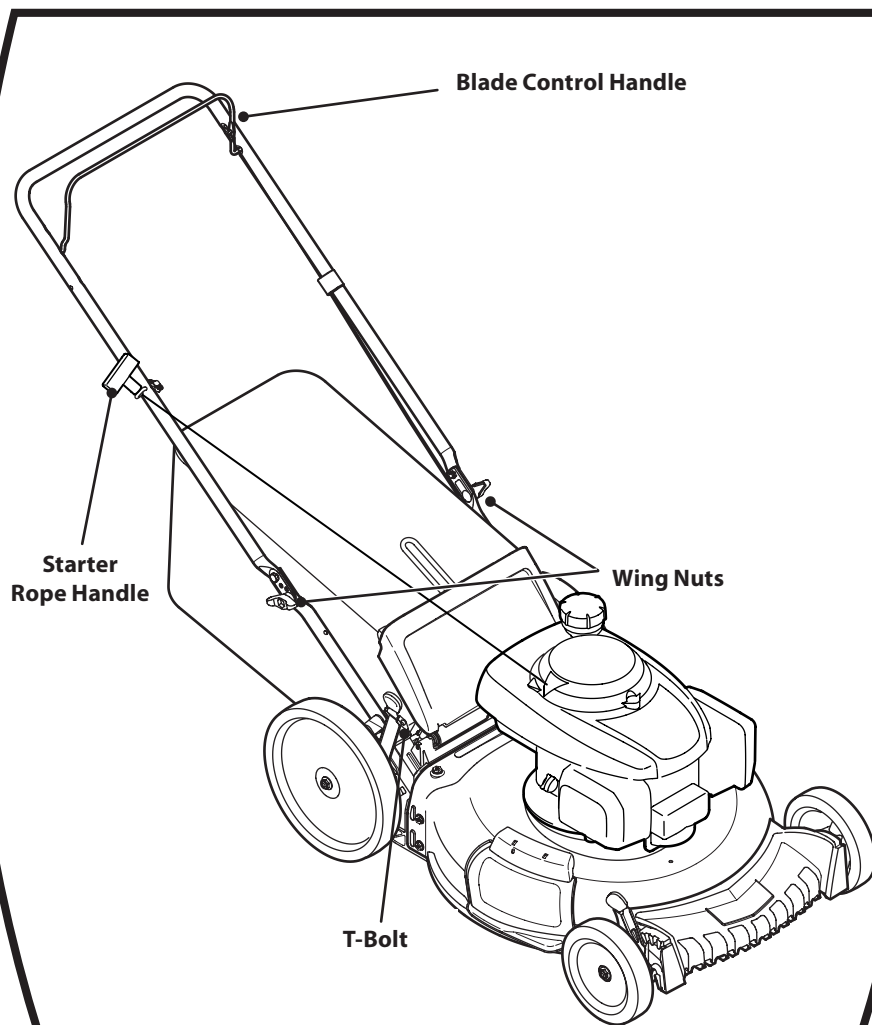


3

Pull upward on the handle until the holes in lower handle line up with the holes in the handle bracket.



FAST START GUIDE

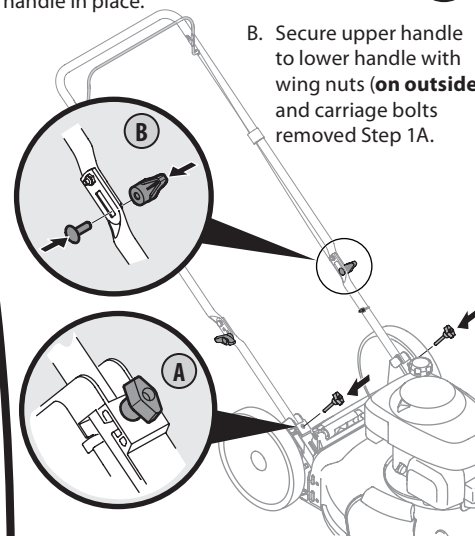


Note: Refer to your Operator's Manual for instructions on attaching the grass collector.

4

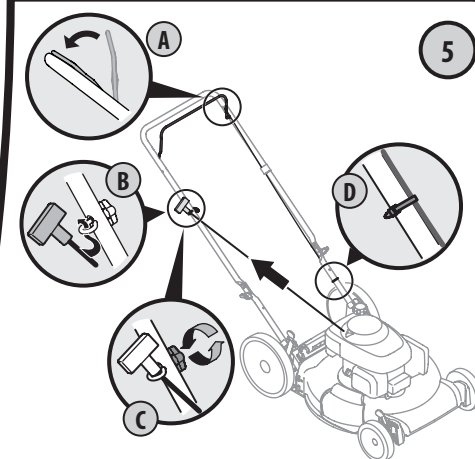
A. Insert the T-bolts removed in Step 1B through the handle brackets to secure the handle in place.

B. Secure upper handle to lower handle with wing nuts (on outside) and carriage bolts removed Step 1A.



5

- A. Hold blade control handle against upper handle.
- B. Slowly pull starter rope handle from engine and slip starter rope into the rope guide.
- C. Tighten rope guide wing knob.
- D. Use cable tie to secure cable to lower left handle.



IMPORTANT: READ OPERATOR'S MANUAL AND ENGINE MANUAL THOROUGHLY AND FOLLOW THE IMPORTANT SAFE OPERATION PRACTICES BEFORE OPERATING .



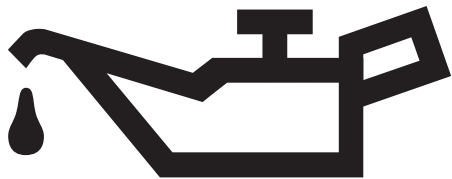
Need Help? Call 1-888-TO-HELP-U



READ AND UNDERSTAND ALL INSTRUCTION, WARNING, AND DANGER LABELS.
PARA INSTRUCCIONES EN ESPAÑOL, REFIÉRASE AL MANUAL DEL OPERADOR.

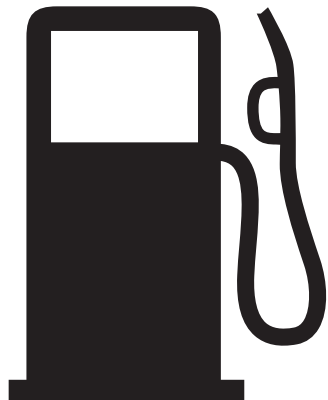


6



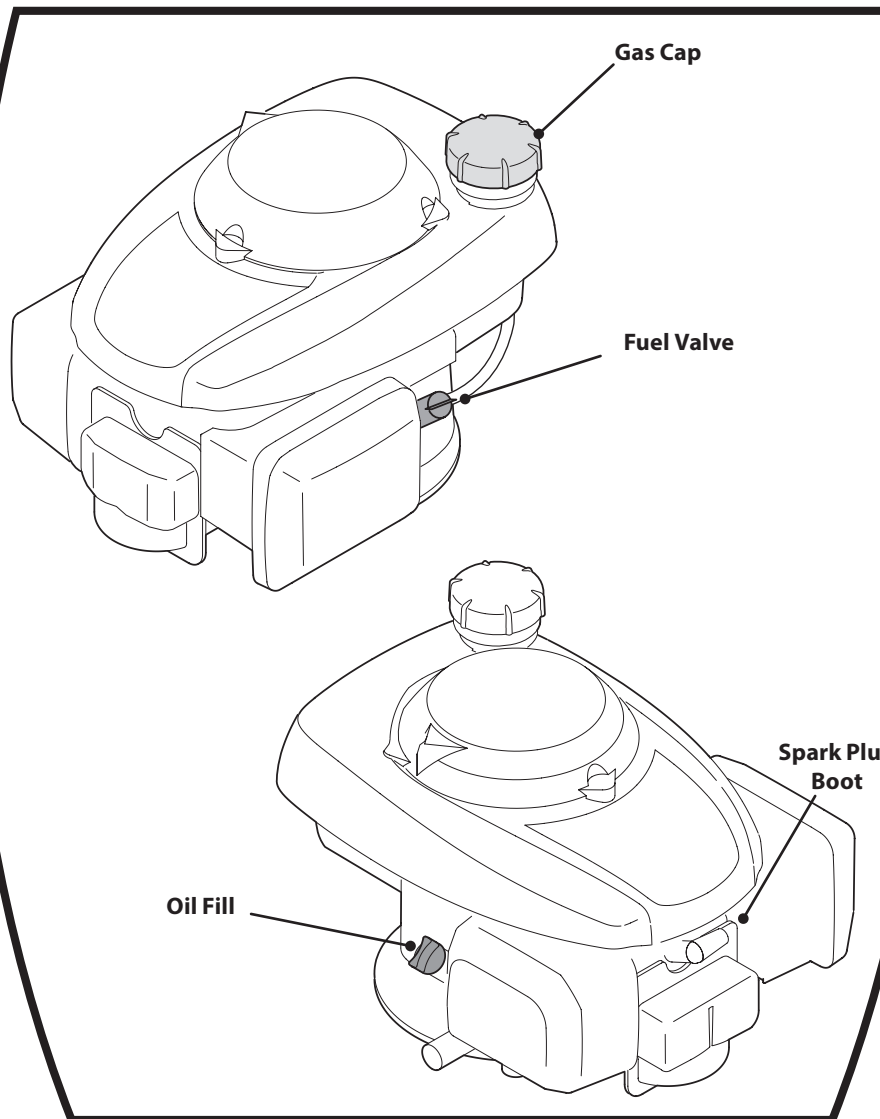
Pour the entire contents of the SAE 10W 30 oil bottle (supplied) into the oil fill. Check the oil level by inserting the dipstick (*not threading it*) into the oil fill. (Refer to the Operator's Manual)

7

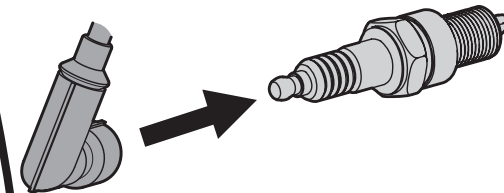


Fill tank with fresh gas to within 1/2-inch of top of tank. Do not overfill. Do *not* use E85 or fuel containing more than 10% Ethanol.

FAST START GUIDE

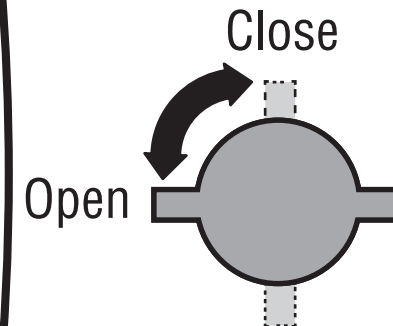


8



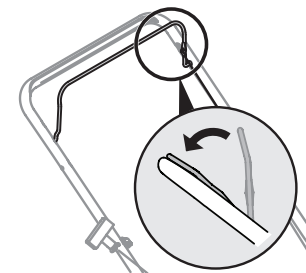
Make sure the spark plug boot is connected to the spark plug before attempting to start.

9



Rotate the fuel valve into the Open position.

10



While standing behind the machine, pivot the Blade Control Handle against the upper handle.

Grasp the starter rope handle and pull with a quick, full-arm stroke.



IMPORTANT: READ OPERATOR'S MANUAL AND ENGINE MANUAL THOROUGHLY AND FOLLOW THE IMPORTANT SAFE OPERATION PRACTICES BEFORE OPERATING .



Need Help? Call 1-888-TO-HELP-U