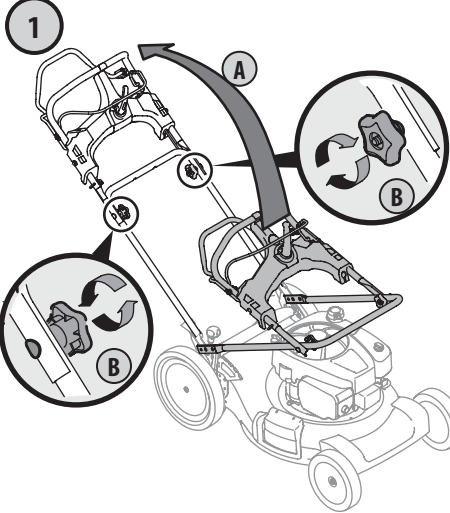


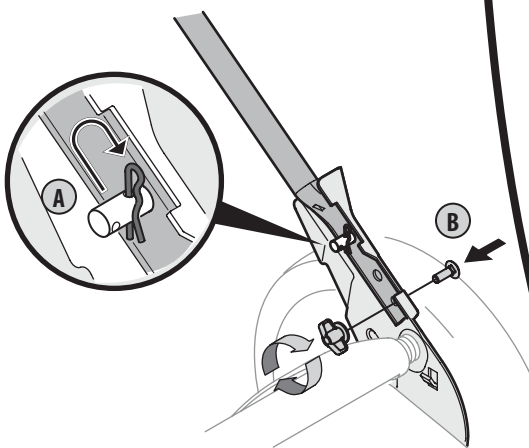


READ AND UNDERSTAND ALL INSTRUCTION, WARNING, AND DANGER LABELS.
PARA INSTRUCCIONES EN ESPAÑOL, REFIÉRASE AL MANUAL DEL OPERADOR.

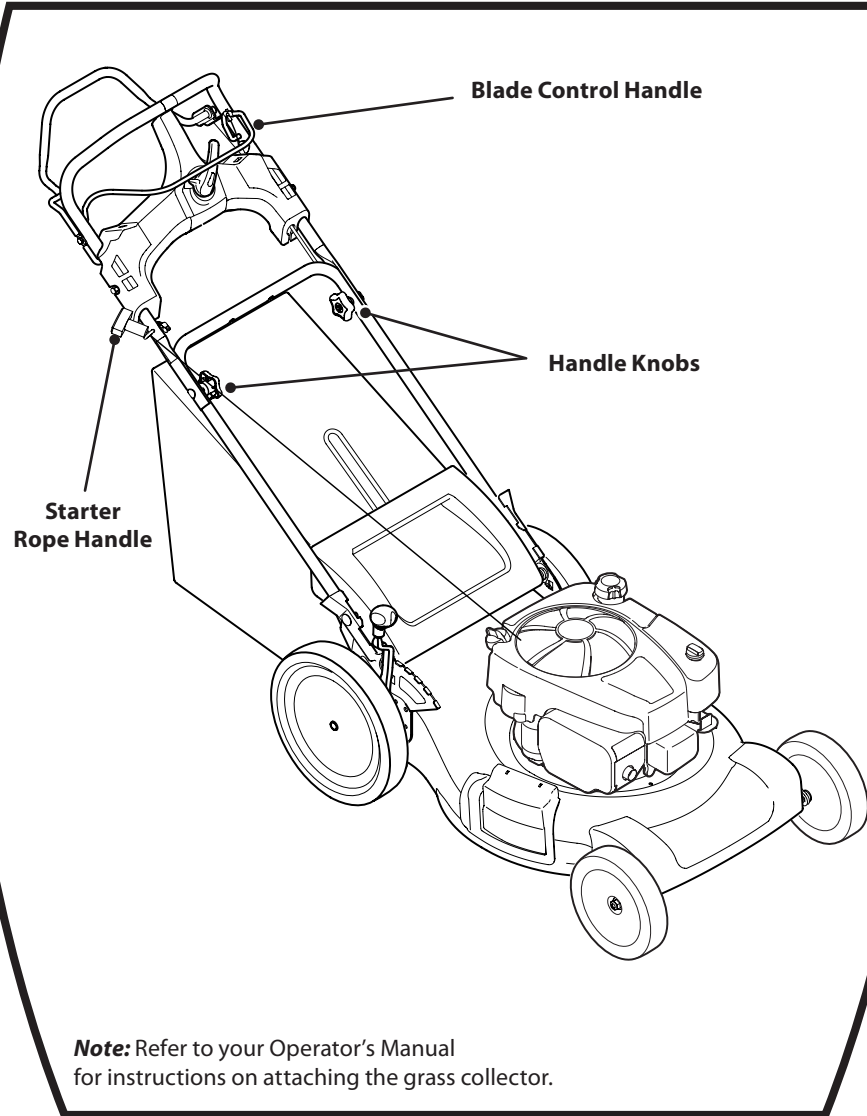


- A. Lift handle upward into extended position.
- B. Tighten handle knobs.

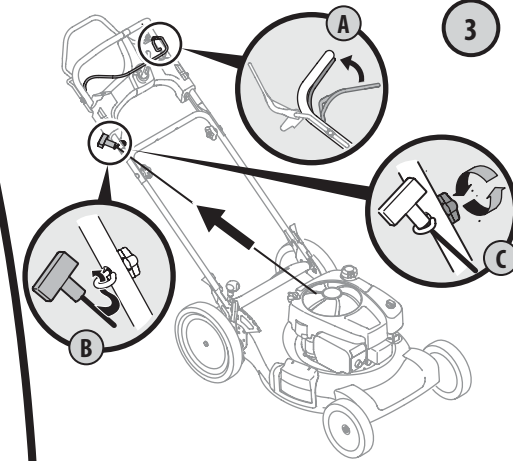
- 2 A. Move hairpin clip to the inside hole (i.e. the hole nearest the handle).
- B. Insert carriage bolt and secure with wing nut. Repeat on opposite side.



FAST START GUIDE

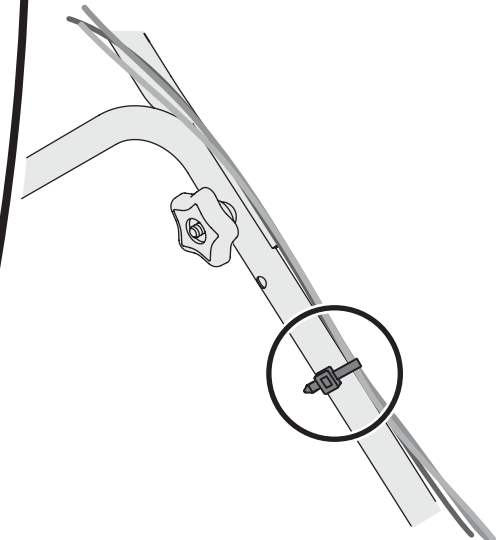


Note: Refer to your Operator's Manual for instructions on attaching the grass collector.



- A. Hold blade control handle against upper handle.
- B. Slowly pull starter rope handle from engine and slip starter rope into the rope guide.
- C. Tighten rope guide wing knob.

Use cable ties to secure cables to lower handle.



IMPORTANT: READ OPERATOR'S MANUAL AND ENGINE MANUAL THOROUGHLY AND FOLLOW THE IMPORTANT SAFE OPERATION PRACTICES BEFORE OPERATING .



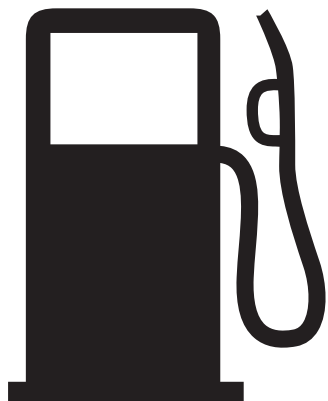
Need Help? Call 1-888-TO-HELP-U



READ AND UNDERSTAND ALL INSTRUCTION, WARNING, AND DANGER LABELS.
PARA INSTRUCCIONES EN ESPAÑOL, REFIÉRASE AL MANUAL DEL OPERADOR.

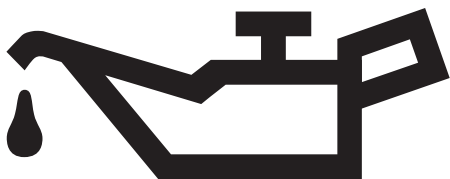


5



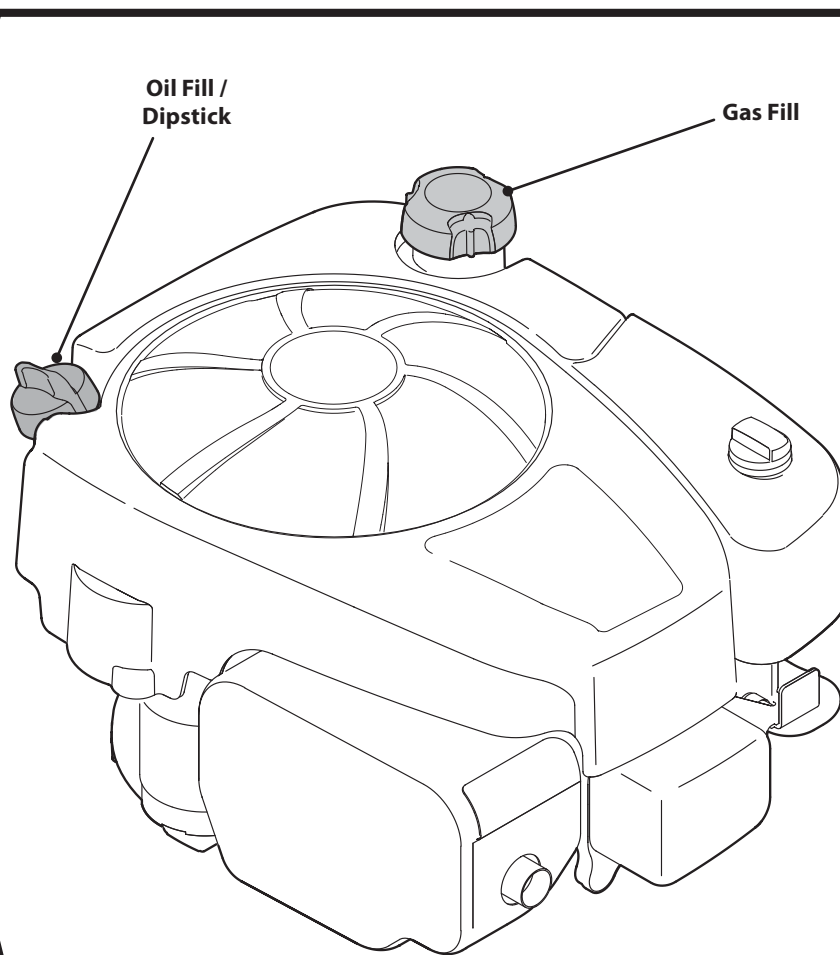
Fill fuel tank with clean, fresh gasoline. Do not fill above the base of fuel tank neck.

6

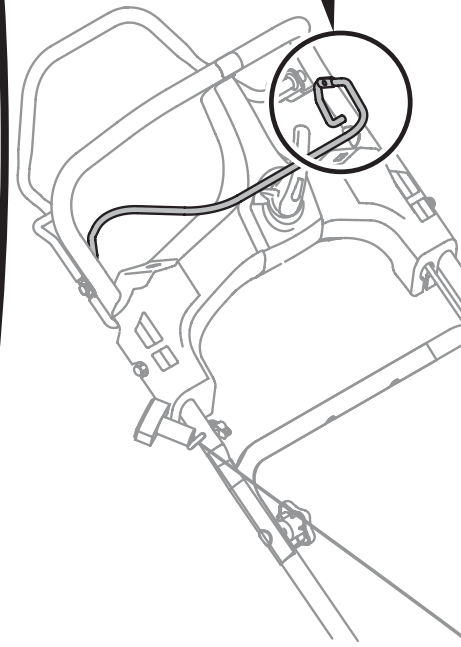
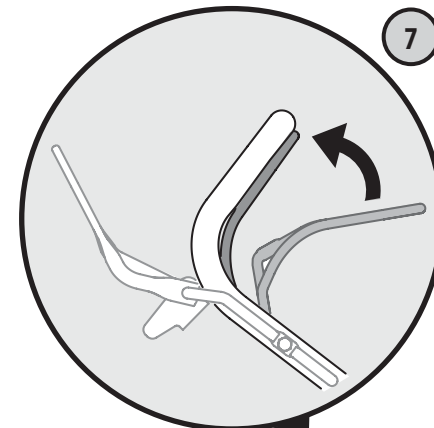


Pour the entire contents of the oil bottle (supplied) into the oil fill. Check the oil level using the dipstick. (Refer to the Operator's Manual)

FAST START GUIDE



7



While standing behind the machine, pivot the Blade Control Handle against the upper handle.

Grasp the starter rope handle and pull with quick, full-arm stroke. If the engine does not start after three pulls, wait a few minutes and repeat.



IMPORTANT: READ OPERATOR'S MANUAL AND ENGINE MANUAL THOROUGHLY AND FOLLOW THE IMPORTANT SAFE OPERATION PRACTICES BEFORE OPERATING .



Need Help? Call 1-888-TO-HELP-U