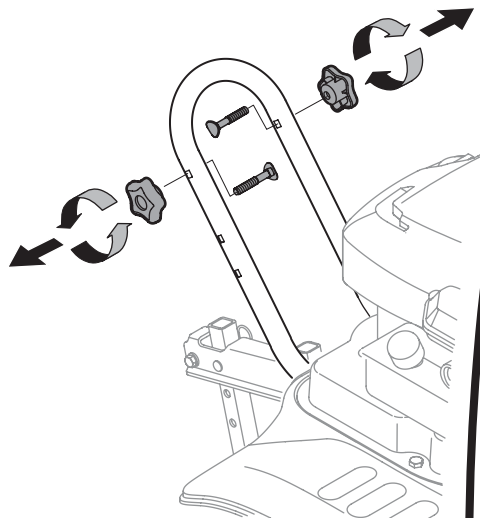




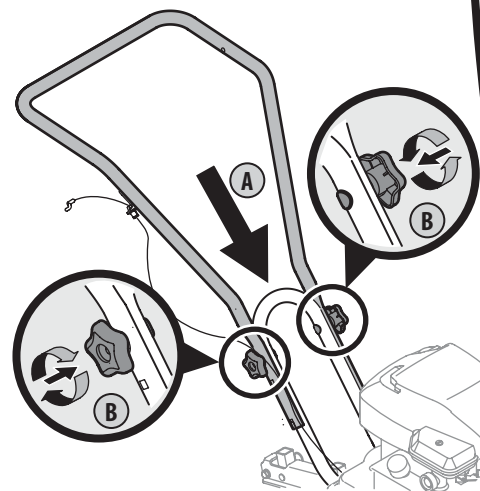
**READ AND UNDERSTAND ALL INSTRUCTION, WARNING, AND DANGER LABELS.
PARA INSTRUCCIONES EN ESPAÑOL, REFIÉRASE AL MANUAL DEL OPERADOR.**



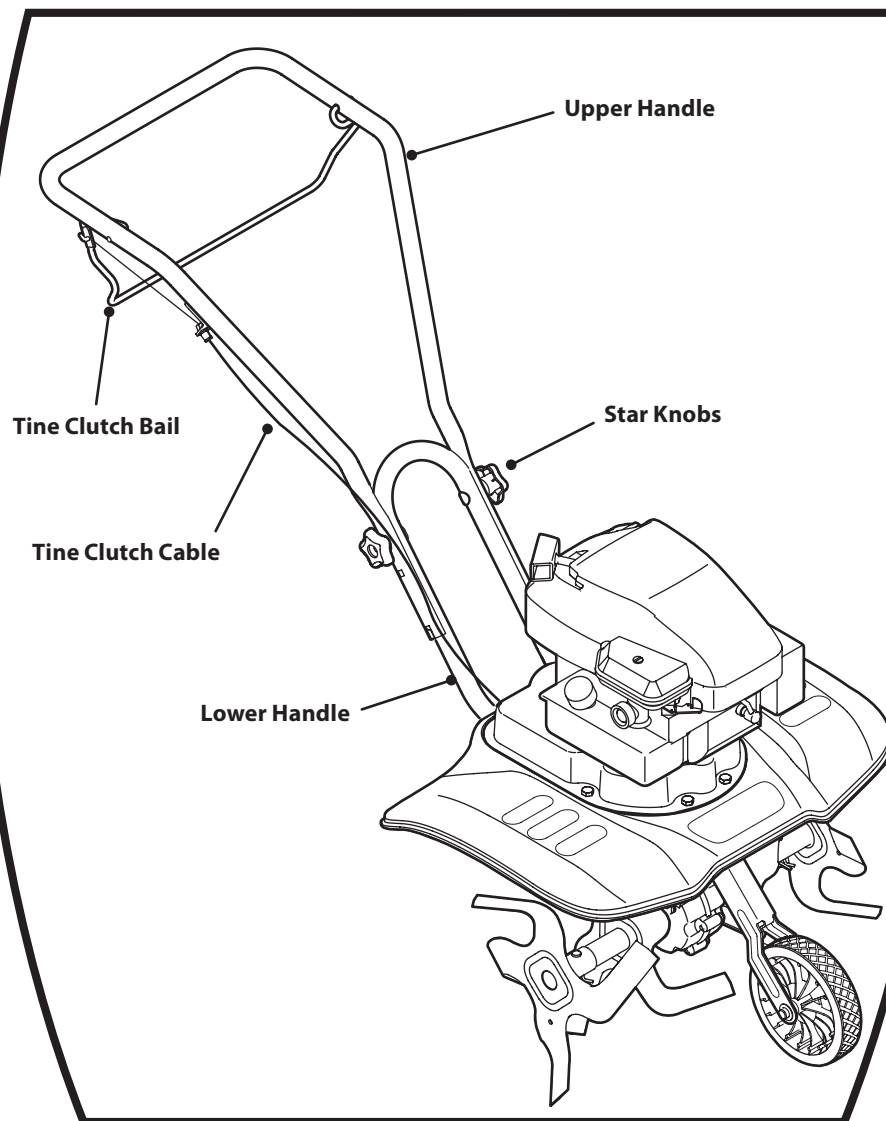
- 1** Remove bolts and star knobs from lower handle.



- 2** A. Attach upper handle to lower handle using removed hardware.
B. Tighten star knobs securely.

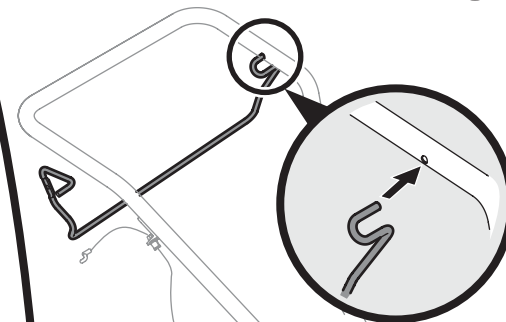


FAST START GUIDE



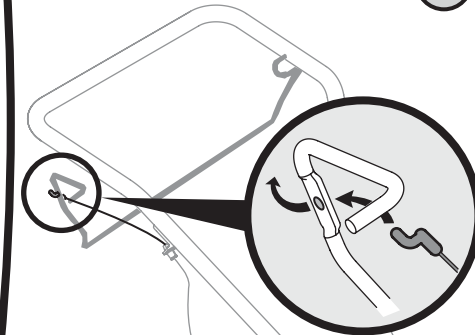
- Insert the left side of the tine clutch bail into the upper handle as shown.

3



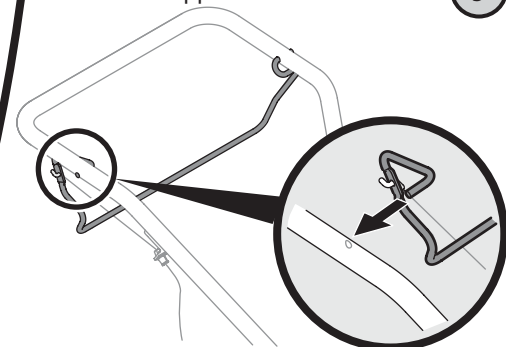
- Insert the Z-fitting on the tine clutch cable into the tine clutch bail.

4



- Insert the right side of the tine clutch bail into the upper handle as shown.

5



IMPORTANT: READ OPERATOR'S MANUAL AND ENGINE MANUAL THOROUGHLY AND FOLLOW THE IMPORTANT SAFE OPERATION PRACTICES BEFORE OPERATING .



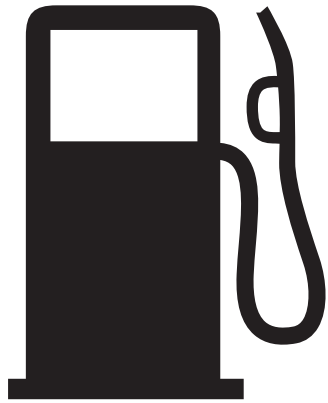
Need Help? Call 1-888-TO-HELP-U



READ AND UNDERSTAND ALL INSTRUCTION, WARNING, AND DANGER LABELS.
PARA INSTRUCCIONES EN ESPAÑOL, REFIÉRASE AL MANUAL DEL OPERADOR.

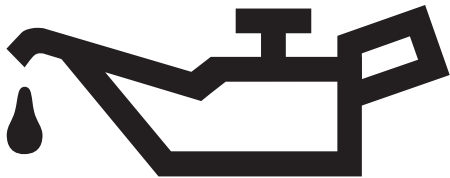


6



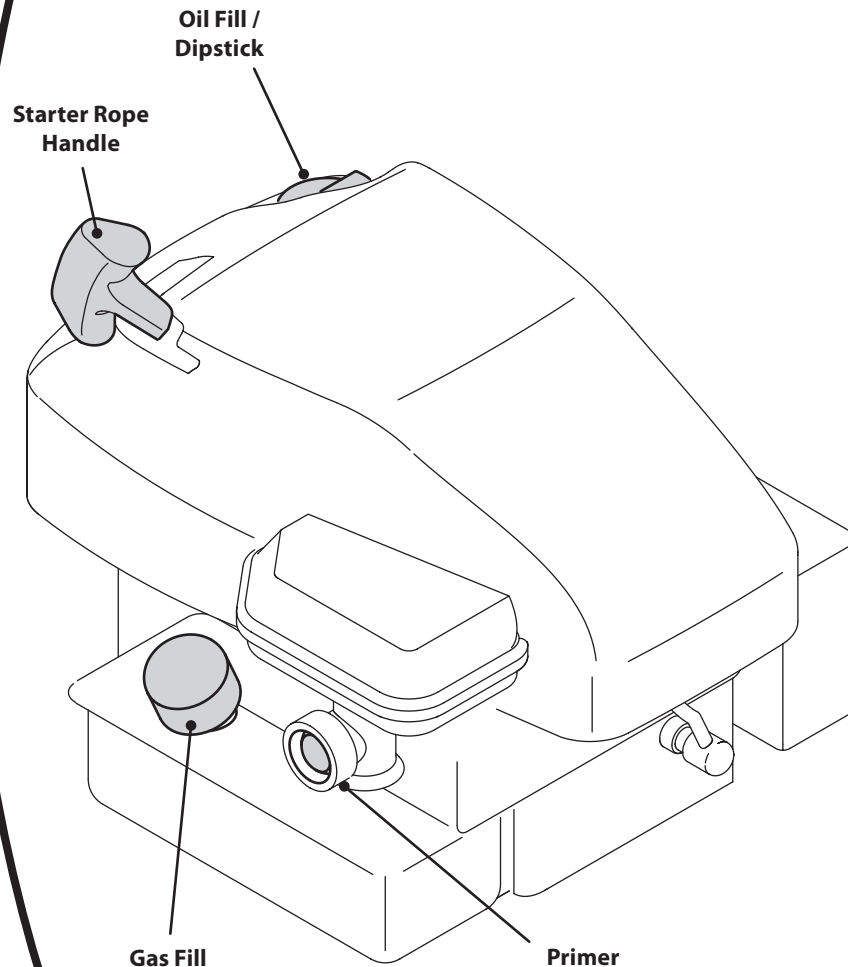
Fill fuel tank with clean, fresh gasoline. Do not fill above the base of fuel tank neck.

7

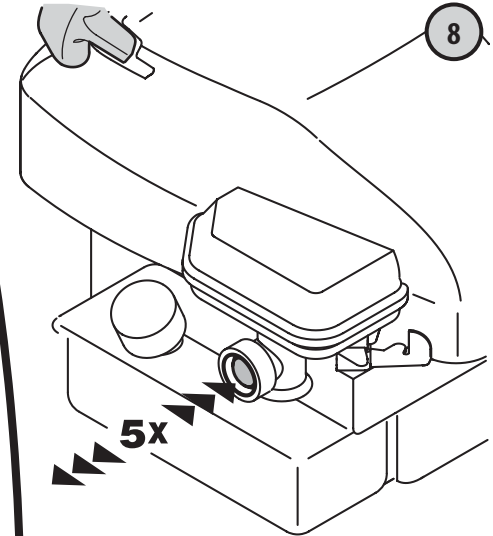


Pour the entire contents of the oil bottle (supplied) into the oil fill. Check the oil level using the dipstick.
(Refer to the *Briggs & Stratton Operator's Manual*)

FAST START GUIDE



8



Push the primer five times.
Grasp the starter rope handle and pull with quick, full-arm stroke. If the engine does not start after five pulls, wait a few minutes and repeat step 3.



IMPORTANT: READ OPERATOR'S MANUAL AND ENGINE MANUAL THOROUGHLY AND FOLLOW THE IMPORTANT SAFE OPERATION PRACTICES BEFORE OPERATING .



Need Help? Call 1-888-TO-HELP-U