



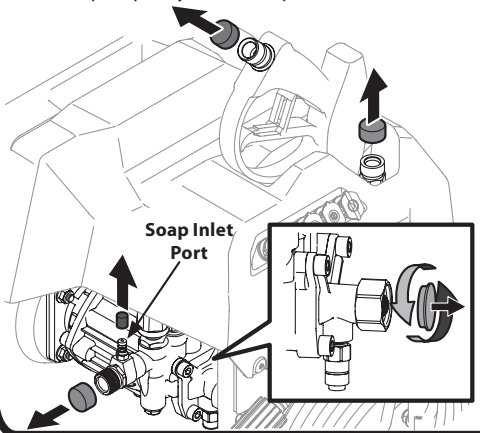
READ AND UNDERSTAND ALL INSTRUCTION, WARNING, AND DANGER LABELS.
PARA INSTRUCCIONES EN ESPAÑOL, REFIÉRESE AL MANUAL DEL OPERADOR.



1

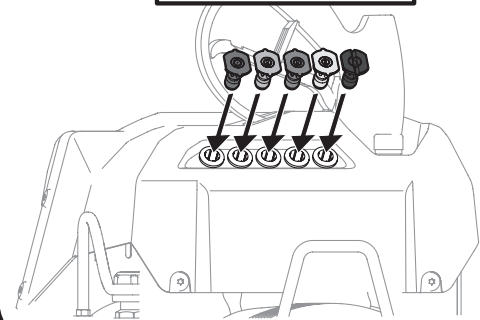
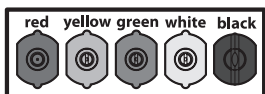
Remove the five plastic caps shown below.

Note: The first four caps pull off as shown. The plastic cap in the inset rotates counter clockwise to remove. If choosing not to install the soap inlet tube at this time, the plastic cap on the soap inlet port of the pressure washer pump may remain in place.

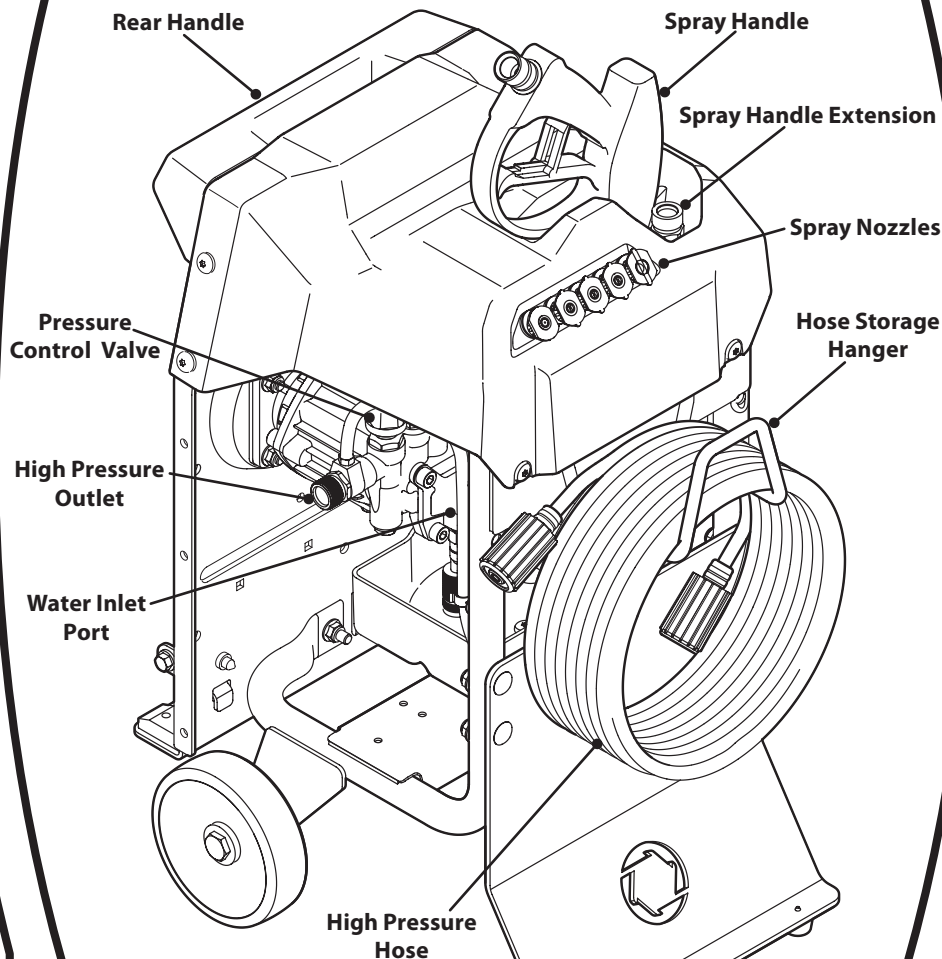


2

Locate the bag containing the 5 multi-colored spray nozzles, included with the loose parts in the carton. Insert the tips into the provided mounting holes on the pressure washer main unit. Follow the color pattern provided on the label on the unit for the proper order in which to install these tips.

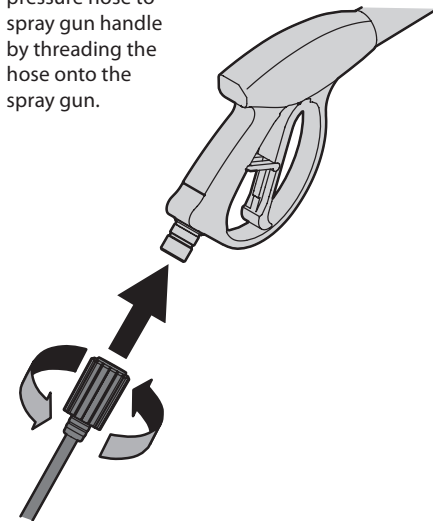


FAST START GUIDE



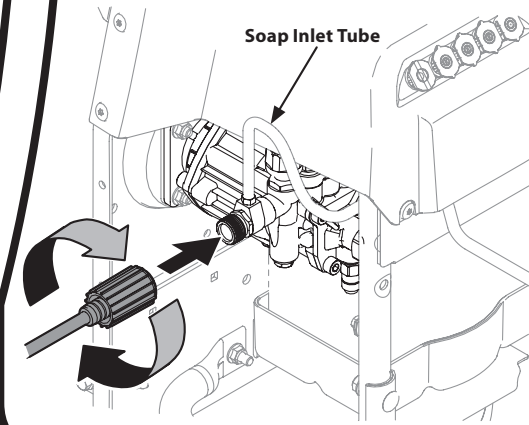
3

Connect high pressure hose to spray gun handle by threading the hose onto the spray gun.



4

Uncoil and connect the other end of the high pressure hose to the pressure washer main unit by threading the hose onto the hose port.



IMPORTANT: READ OPERATOR'S MANUAL AND ENGINE MANUAL THOROUGHLY AND FOLLOW THE IMPORTANT SAFE OPERATION PRACTICES BEFORE OPERATING .



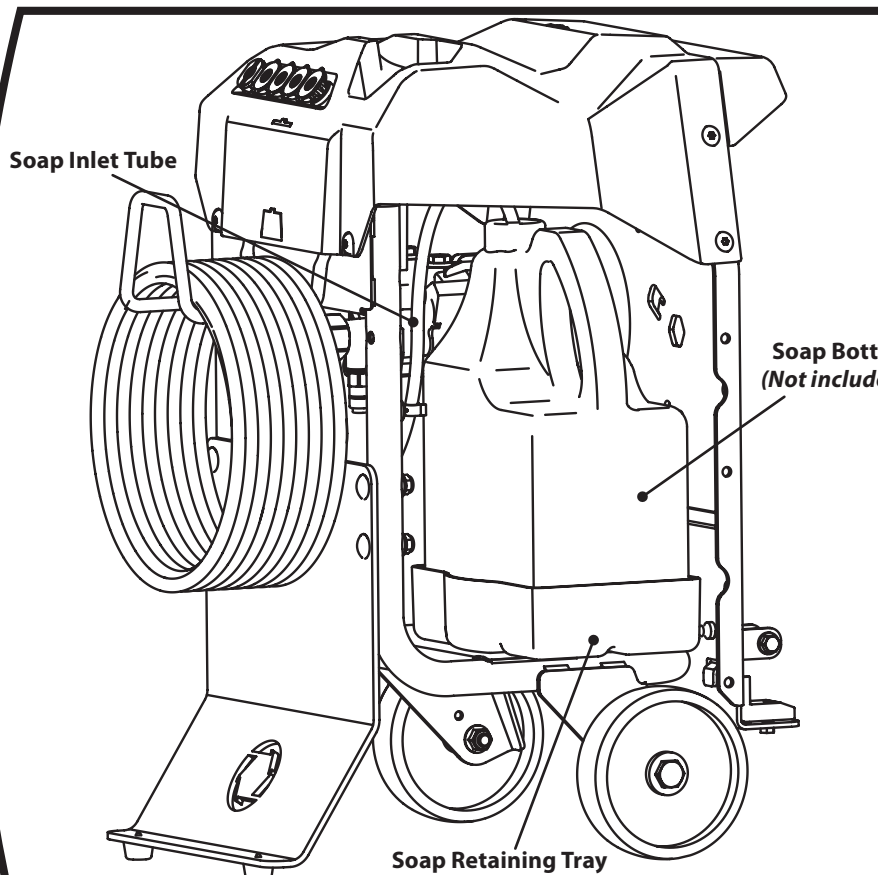
Need Help? Call 1-888-TO-HELP-U



READ AND UNDERSTAND ALL INSTRUCTION, WARNING, AND DANGER LABELS.
PARA INSTRUCCIONES EN ESPAÑOL, REFIÉRESE AL MANUAL DEL OPERADOR.

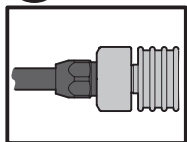


FAST START GUIDE



WARNING! When the FLEX™ Pressure Washer attachment is attached to the FLEX™ Power Base, the engine must only be started after the water supply is connected and turned on with water flowing through the pressure washer. Failure to have the water source connected with water flowing through the pressure washer prior to starting the engine of the FLEX™ Power Base will cause irreparable damage to the pressure washer pump.

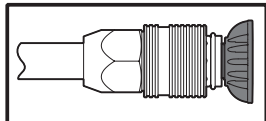
5



Attach the nozzle extension to spray gun by threading it into the spray gun handle. Firmly hand-tighten the two components together.

6

Select the tip to use for the particular application this pressure washer is to be used for.

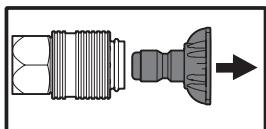


Install the desired spray nozzle into the end of the spray handle assembly.

Simply align the tip into the end of the spray handle and push. It will click into place.

7

To remove a spray nozzle, simply pull back on the spray gun collar (A) and remove nozzle (B).



Note: See Operation Section in manual for more details regarding each spray nozzle's usage.

If planning to utilize "Soap" tip, follow these steps:

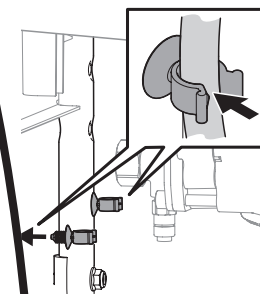
Remove plastic cap on soap inlet port of pressure washer pump. Refer to Step 1.

8

Install two plastic hose clips packed with soap inlet tube, into frame holes provided.

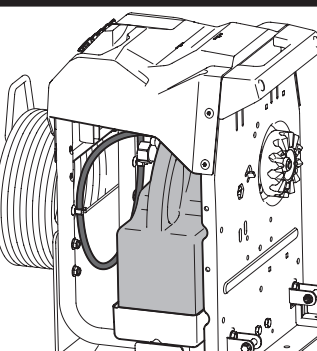
Push soap inlet tube onto inlet port on pressure washer pump. Refer to Step 1 for location of where inlet tube attaches.

Route soap inlet tube through two clips installed in Step 2. See inset.



9

Install the bottle of soap into the soap holding tray and insert the soap inlet tube into the bottle. Soap bottle NOT included.



Note: Only the soap spray nozzle tip (black) is to be used for dispensing liquid soap detergent.

10



From the factory, the unit's pressure control valve has been set at maximum pressure. To lower pressure, rotate knob counter-clockwise.



IMPORTANT: READ OPERATOR'S MANUAL AND ENGINE MANUAL THOROUGHLY AND FOLLOW THE IMPORTANT SAFE OPERATION PRACTICES BEFORE OPERATING.



Need Help? Call 1-888-TO-HELP-U