



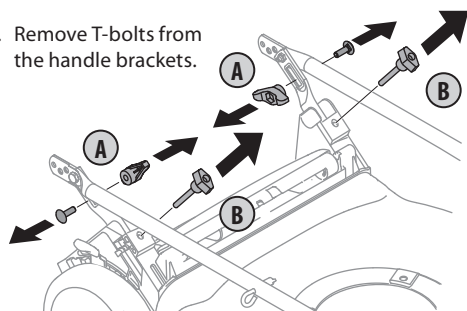
READ AND UNDERSTAND ALL INSTRUCTION, WARNING, AND DANGER LABELS.  
 PARA INSTRUCCIONES EN ESPAÑOL, REFIÉRESE AL MANUAL DEL OPERADOR.



1

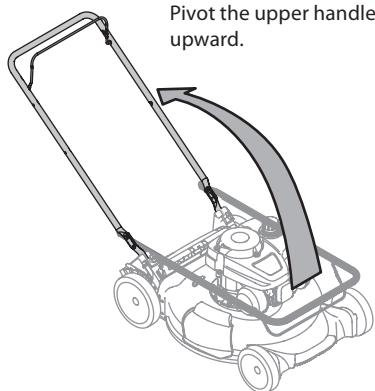
A. Remove the wing nuts and carriage bolts securing the upper handle to the lower handle.

B. Remove T-bolts from the handle brackets.



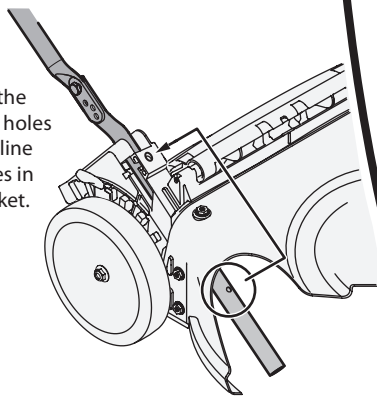
2

Pivot the upper handle upward.

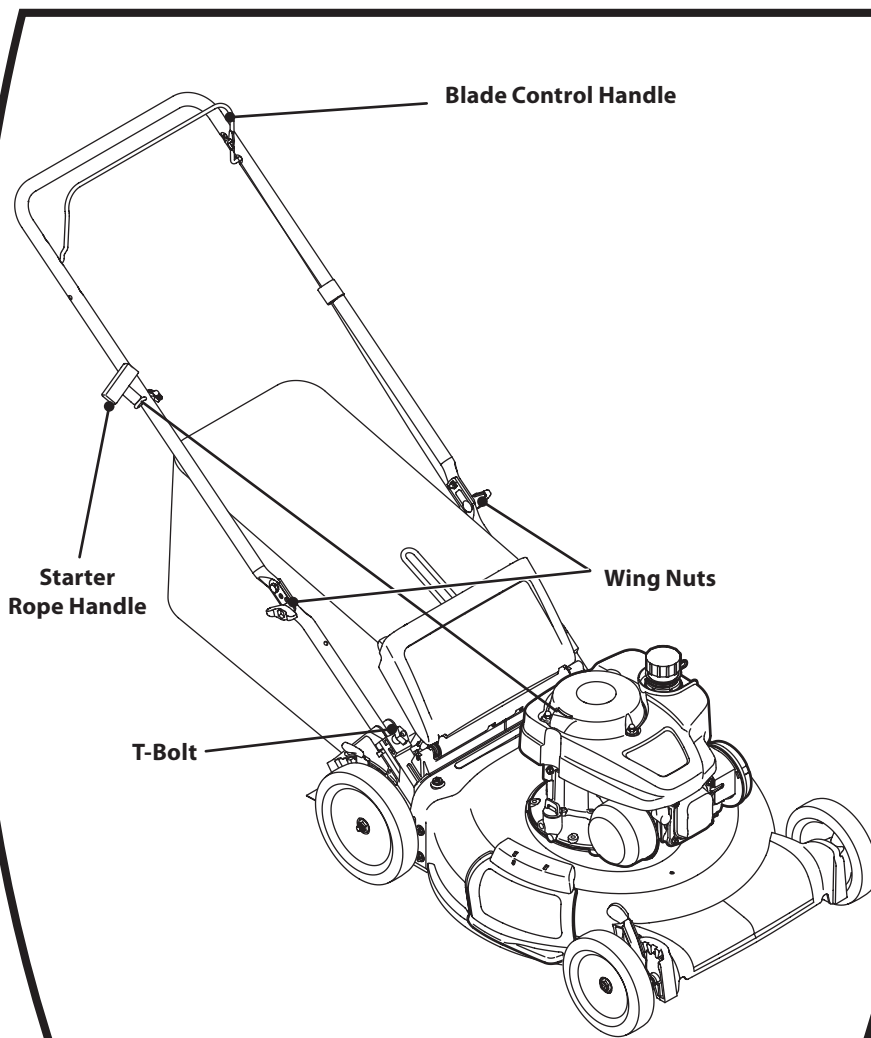


3

Pull upward on the handle until the holes in lower handle line up with the holes in the handle bracket.



# FAST START GUIDE

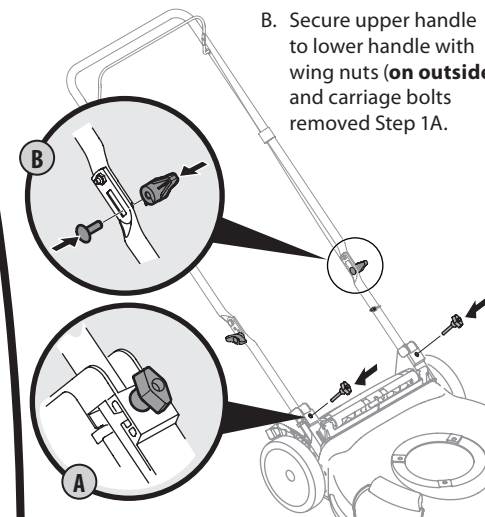


**Note:** Refer to your Operator's Manual for instructions on attaching the grass collector.

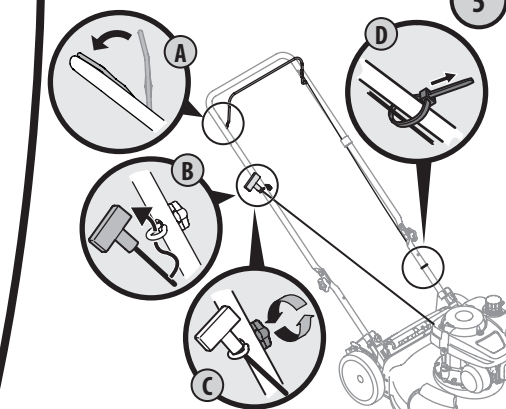
A. Insert the T-bolts removed in Step 1B through the handle brackets to secure the handle in place.

4

B. Secure upper handle to lower handle with wing nuts (on outside) and carriage bolts removed Step 1A.



5



- A. Hold blade control handle against upper handle.
- B. Slowly pull starter rope handle from engine and slip starter rope into the rope guide.
- C. Tighten rope guide wing knob.
- D. Use cable tie to secure cables to lower handle.



IMPORTANT: READ OPERATOR'S MANUAL AND ENGINE MANUAL THOROUGHLY AND FOLLOW THE IMPORTANT SAFE OPERATION PRACTICES BEFORE OPERATING .



Need Help? Call  
 1-888-TO-HELP-U

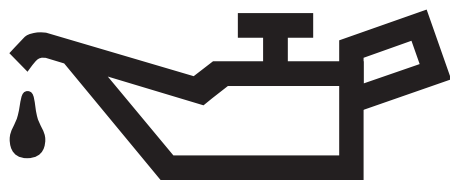




READ AND UNDERSTAND ALL INSTRUCTION, WARNING, AND DANGER LABELS.  
PARA INSTRUCCIONES EN ESPAÑOL, REFIÉRESE AL MANUAL DEL OPERADOR.

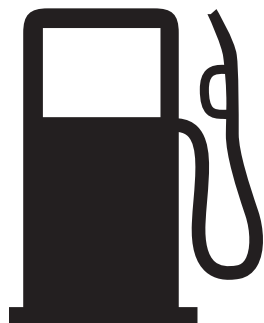


6



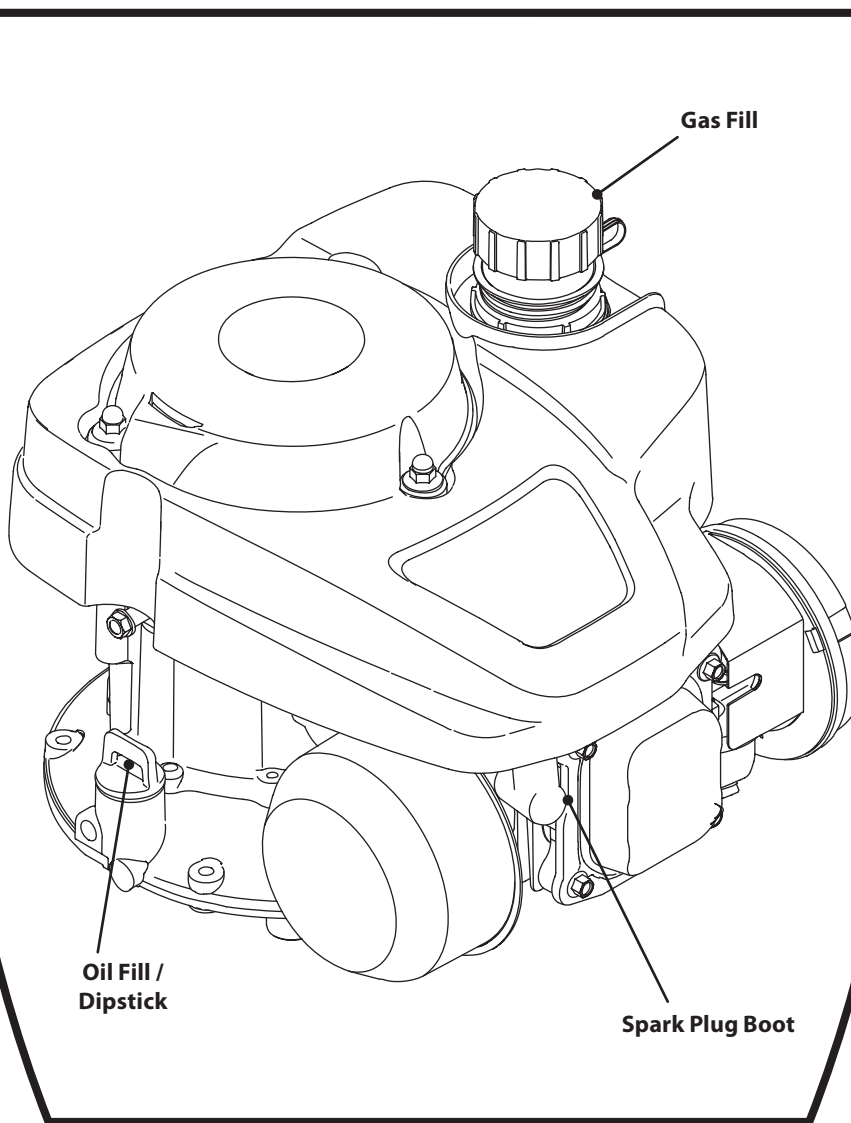
Pour the entire contents of the oil bottle (supplied) into the oil fill. Check the oil level using the dipstick. (Refer to the Operator's Manual)

7

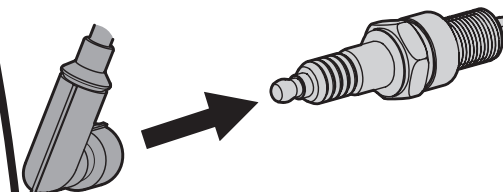


Fill fuel tank with clean, fresh gasoline. Do not fill above the base of fuel tank neck.

# FAST START GUIDE

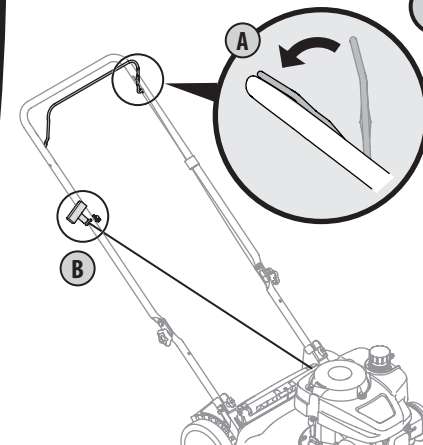


8



Make sure the spark plug boot is connected to the spark plug before attempting to start.

9



While standing behind the machine, pivot the Blade Control Handle against the premium drive control.

Grasp the starter rope handle and pull with quick, full-arm stroke. If the engine does not start after three pulls, wait a few minutes and repeat.



**IMPORTANT: READ OPERATOR'S MANUAL AND ENGINE MANUAL THOROUGHLY AND FOLLOW THE IMPORTANT SAFE OPERATION PRACTICES BEFORE OPERATING .**



**Need Help? Call 1-888-TO-HELP-U**

