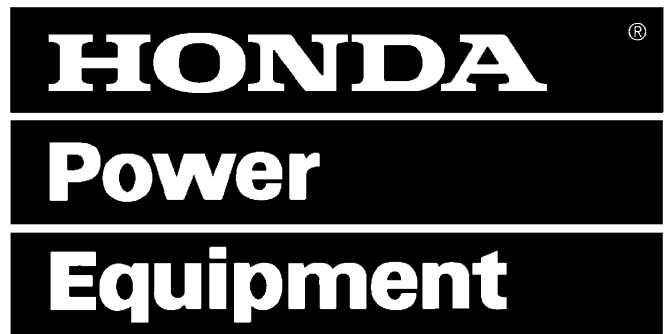


General Purpose Engine

GCV160A
(TYPE S1A)



Parts Catalog

SEPTEMBER, 2004

American Honda Motor Co., Inc.

TABLE OF CONTENTS

Introduction

Grid / Page

- HOW TO USE THIS CATALOG A2 4
- SERIAL NUMBERS A3 6
- BULK HOSE PART NUMBER PATTERN..... A3 7
- MASTER INDEX A4 8

Part Groups

- ENGINE SECTION 1-C1 1-1

Index

- PART NUMBER INDEX B1 2-1
- DESCRIPTION INDEX 1-D1 3-1

HOW TO USE THIS CATALOG

CATALOG PAGE BREAKDOWN (Generic layout-sample data only)

| MODEL | | TYPE | | Engine Serial Number | | ORG | QTY | Part Number | H/C |
|----------|--------------------------|---------|---|----------------------|----------|-----|-----|---------------|---------|
| A= MODEL | | a= TYPE | | From | To | | | | |
| B= MODEL | | b= TYPE | | | | | | | |
| C= MODEL | | c= TYPE | | | | | | | |
| 1 | COVER SET, CYLINDER HEAD | A | b | 15240057 | ----- | JPN | 1 | 12310-PE2-020 | 2031797 |
| | COVER SET, CYLINDER HEAD | | | ----- | 12234811 | USA | 1 | 12310-PE2-030 | 2210888 |

KEY TO CATALOG PAGE BREAKDOWN

- Ref.** - Reference numbers correspond to the reference numbers on the illustrations. All illustrations are representative only and do not necessarily correspond exactly to the actual part. "NI" signifies the part is not illustrated.

- Description*** - Describes the part for the related part number.

Abbreviations:

| | | | |
|---------|------------------|----------|------------------------------------|
| ASSY. | - Assembly | V | - Volt |
| COMP. | - Complete | W | - Watt |
| L(100L) | - Link(100Links) | A.C. | - Alternating Current |
| R. | - Right | D.C. | - Direct Current |
| L. | - Left | KPH | - Kilometers Per Hour |
| IN. | - Inlet | MPH | - Miles Per Hour |
| EX. | - Exhaust | A.M. | - Attaching Mark |
| FR. | - Front | T.M. | - Transcript Mark |
| RR. | - Rear | A | - Ampere |
| HEX. | - Hexagonal | WL | - With Labeling |
| STD. | - Standard | WOL | - Without Labeling |
| MM | - Millimeter | T (22T) | - Tooth |
| G | - Gram | C.D.I. | - Capacitive Discharge Ignition |
| | | G.F.C.I. | - Ground Fault Circuit Interruptor |

- Model*** - Model indicator code is unique per catalog (not consistent with other catalogs).

- Each catalog will be represented with applicable model indicators and models.

- Serial Number** - Applies to Engine or Frame serial numbers depending on the section. The serial numbers of the vehicle (frame, engine, carburetor) should be checked prior to ordering parts for a specific unit. In cases where a part has been modified, the serial number of the vehicle bearing the modification is listed in the 'SERIAL NUMBER' column. The modification parts are controlled by each pertinent serial number below.

Engine serial number - Engine group parts (Block numbers beginning with 'E').

Carburetor identification number - Carburetor component parts.

Frame serial number - Frame group parts (Block numbers beginning with 'F').

A serial number chart and serial number locations are provided.

Note - Some models may be controlled by one serial number only.

- Type*** - Applicable model Type is defined in the serial number chart.

- ORG*** - Manufacturing origin of the unit.

- QTY** - Quantity required per unit as specified.
 - "AR" in place of the quantity indicates AS REQUIRED.
 - (") Parentheses in the quantity required indicate "optional".

- Part Number** - Part number corresponds to the reference number and application. Several part numbers may be listed under one (1) reference number. For your convenience the current supersede chain, as of print date, has been listed. Supersede chains are subject to change without notice.

- H/C** - The Honda Code and Part Number share a 1 to 1 relationship.

MAKE-UP OF PART NUMBERS

All parts are classified into two groups consisting of "GENERAL PARTS" and "STANDARD PARTS". All parts are numbered in accordance with the system described below:

General Parts

| | |
|--|-----------------|
| Example: Driver Seat Assembly Part No. | 77400-634-671ZA |
| Function No. | 77 |
| Component No. | 400 |
| Model Code No. | -634- |
| Modification Process Design | 671 |
| Color Code** | ZA |

Additional Information - The section index located at the bottom of each microfiche grid lists section titles. The Engine and Frame sections have separate section indexes.

*When columns become full, additional data is displayed on a second line.

**The color code at the end of a part number indicates a color. Color codes such as ZA, ZB, ZC . . . , except ZZ, do not indicate the actual color. Actual colors are represented in code, between asterisks in the part description.

Note:

Additional Information

Ref.
Reference numbers may skip number sequence because they apply in other applications.

Chapter Table of Contents

Some Page Titles are numbered, such as Air Cleaner (1), Air Cleaner (3) or Muffler (2) or Muffler (4), etc., may skip numbering sequence because they apply in other volumes of the same model (s).

This page intentionally left blank.

SERIAL NUMBERS

Models and applicable serial numbers

Models and applicable serial numbers given in this parts catalog can be identified as follows.

| Model | Type | Applicable Engine Serial No. | Applicable Frame Serial No. | Applicable Carburetor Identification |
|---------|------|------------------------------|-----------------------------|--------------------------------------|
| GCV160A | S1A | GJAEA-1000001~ | — | BB62G A |

BULK HOSE PART NUMBER PATTERN

Construction of Fuel and Vacuum Hose Part Number

Example: 9 5 0 0 1 - 7 5 0 0 1 - 4 0 M

Roll Hose

All roll hose part numbers have an "M" in this position

Appearance Code

Fuel Hose:

- 2 = Red, braided exterior
- 3 = Red
- 4 = Ash Gray with red stripe
- 5 = Black, braided interior
- 6 = Black

Vinyl Hose:

- 1 = Ash Gray
- 2 = Black
- 3 = Light Red
- 6 = Light Red
- 7 = Pale Black

Vacuum Hose:

- 1 = Ash Gray
- 2 = Ash Gray
- 3 = Black
- 5 = Black

Length

Cut Hose length is in *Millimeters (mm)*

Bulk Hose length is in *Meters (M)*

Inside Diameter

Fuel and Vacuum Hose

- | | |
|-----------------------|------------------------------|
| 35 = 3.5 mm | 11 = 11 mm |
| 45 = 4.5 mm | 91 = 12 (outside dia. 15) mm |
| 50 = 5.0 mm | 92 = 12 (outside dia. 16) mm |
| 55 = 5.3 mm or 5.5 mm | 12 = 12 (outside dia. 17) mm |
| 65 = 6.5 mm | 14 = 14 mm |
| 70 = 7.0 mm | 17 = 17 mm |
| 75 = 7.3 mm or 7.5 mm | |
| 80 = 8.0 mm | |

ID./OD. Code : Vinyl Hose

- | | | |
|--------------------------|----------------------------|----------------------------|
| 01 = ID. 2.9, OD. 6.8 mm | 14 = ID. 6.0, OD. 9.0 mm | 37 = ID. 11.0, OD. 15.0 mm |
| 03 = ID. 3.0, OD. 6.0 mm | 17 = ID. 7.0, OD. 9.0 mm | 38 = ID. 12.0, OD. 13.0 mm |
| 05 = ID. 3.5, OD. 6.5 mm | 19 = ID. 7.0, OD. 11.0 mm | 39 = ID. 12.0, OD. 14.0 mm |
| 07 = ID. 4.0, OD. 7.0 mm | 21 = ID. 8.0, OD. 9.0 mm | 40 = ID. 12.0, OD. 16.0 mm |
| 08 = ID. 4.5, OD. 6.5 mm | 23 = ID. 8.0, OD. 12.0 mm | 43 = ID. 13.0, OD. 15.0 mm |
| 09 = ID. 4.5, OD. 8.0 mm | 25 = ID. 9.0, OD. 11.0 mm | 45 = ID. 14.0, OD. 18.0 mm |
| 12 = ID. 5.0, OD. 7.0 mm | 27 = ID. 9.0, OD. 13.0 mm | 50 = ID. 16.0, OD. 19.0 mm |
| 10 = ID. 5.0, OD. 8.0 mm | 33 = ID. 10.0, OD. 14.0 mm | 55 = ID. 17.5, OD. 20.5 mm |
| 11 = ID. 5.0, OD. 9.0 mm | 36 = ID. 11.0, OD. 13.0 mm | 60 = ID. 22.0, OD. 27.0 mm |

Hose Type:

- 1 = Fuel Hose
- 3 = Vinyl Hose
- 5 = Vacuum Hose

CAUTION: Never use vacuum / or vinyl hose in place of fuel hose or vice versa

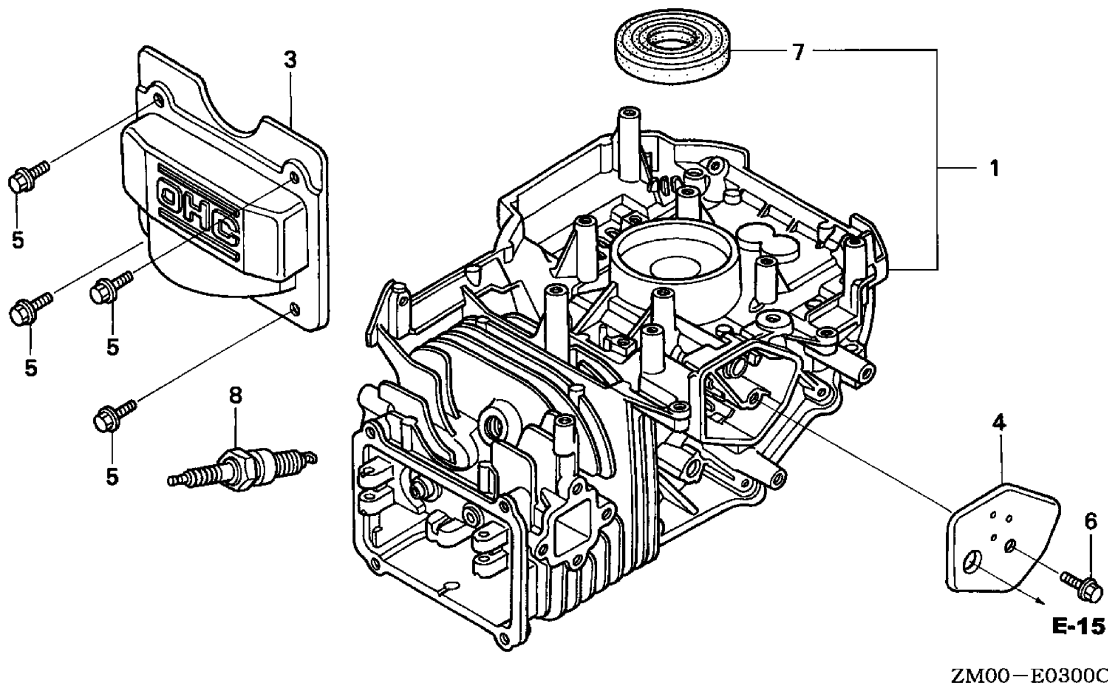
MASTER INDEX

| Title | Grid | Page | Title | Grid | Page |
|------------------------------|------|------|-------|------|------|
| ENGINE SECTION | | | | | |
| CYLINDER BARREL..... | 1-C1 | 1-2 | | | |
| OIL PAN | 1-C1 | 1-3 | | | |
| CRANKSHAFT | 1-C2 | 1-4 | | | |
| PISTON • CONNECTING ROD..... | 1-C2 | 1-5 | | | |
| CAMSHAFT PULLEY | 1-C3 | 1-6 | | | |
| RECOIL STARTER | 1-C3 | 1-7 | | | |
| FAN COVER | 1-C4 | 1-8 | | | |
| CARBURETOR | 1-C4 | 1-9 | | | |
| AIR CLEANER | 1-C5 | 1-11 | | | |
| MUFFLER | 1-C6 | 1-12 | | | |
| FLYWHEEL | 1-C6 | 1-13 | | | |
| CONTROL (3) | 1-C7 | 1-14 | | | |
| CHOKE BASE | 1-C7 | 1-15 | | | |
| LABELS..... | 1-C8 | 1-16 | | | |

ENGINE SECTION
Chapter Table of Contents

| Page Title | Grid | Page |
|-------------------------------|-------------|-------------|
| CYLINDER BARREL | 1-C1 | 1-2 |
| OIL PAN | 1-C1 | 1-3 |
| CRANKSHAFT | 1-C2 | 1-4 |
| PISTON • CONNECTING ROD | 1-C2 | 1-5 |
| CAMSHAFT PULLEY | 1-C3 | 1-6 |
| RECOIL STARTER | 1-C3 | 1-7 |
| FAN COVER | 1-C4 | 1-8 |
| CARBURETOR | 1-C4 | 1-9 |
| AIR CLEANER | 1-C5 | 1-11 |
| MUFFLER | 1-C6 | 1-12 |
| FLYWHEEL | 1-C6 | 1-13 |
| CONTROL (3) | 1-C7 | 1-14 |
| CHOKE BASE | 1-C7 | 1-15 |
| LABELS | 1-C8 | 1-16 |

CYLINDER BARREL



ZM00E0300C

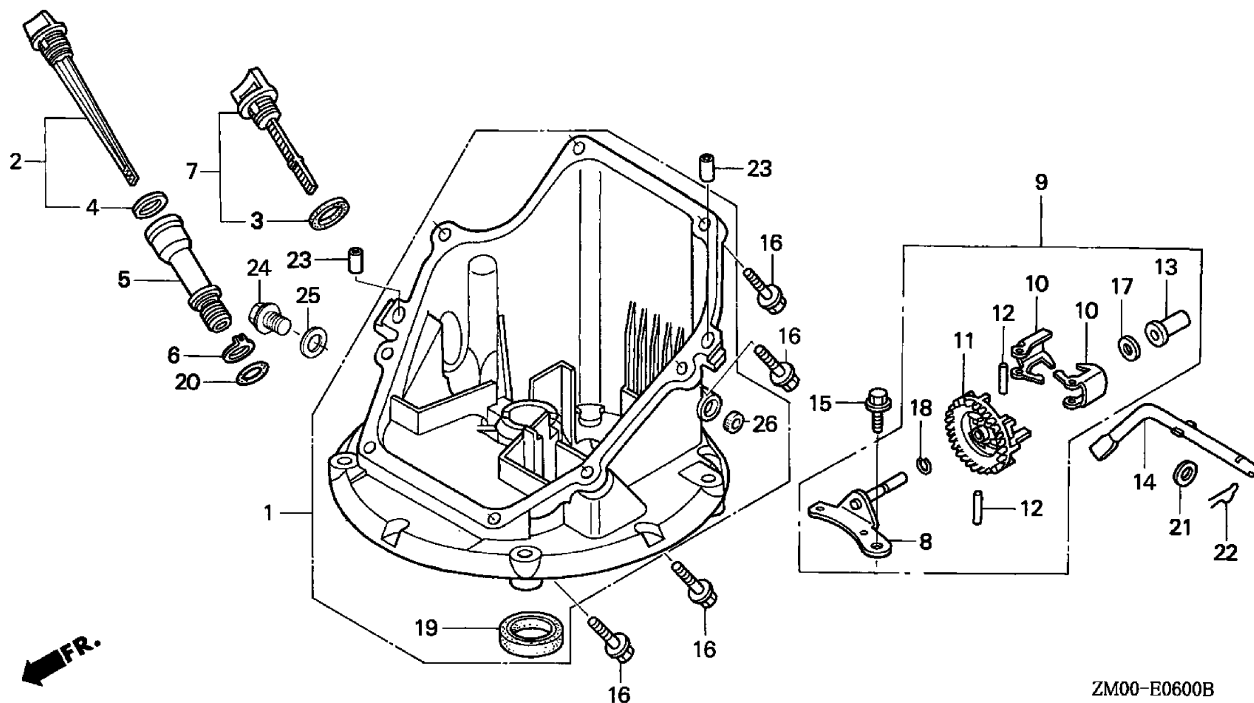
MODEL
A =GCV160A

TYPE
a =S1A

E-3

| Ref | Description | Engine Serial Number | | QTY | Part Number | H/C |
|-----|--|----------------------|-------|-----|---------------|---------|
| | | From | To | | | |
| 1 | CYLINDER ASSY. (010)..... | ----- | ----- | 1 | 12000-ZL8-415 | 6842413 |
| 3 | COVER, HEAD..... | ----- | ----- | 1 | 12311-ZL8-000 | 5579990 |
| 4 | COVER, BREATHER (BREATHER VALVE ASSY.)..... | ----- | ----- | 1 | 12355-ZL8-000 | 5580006 |
| 5 | BOLT, FLANGE (6X12) (CT200)..... | ----- | ----- | 4 | 90013-883-000 | 0636845 |
| 6 | BOLT, FLANGE (6X14)..... | ----- | ----- | 1 | 90014-952-000 | 0803619 |
| 7 | OIL SEAL (25.4X62X6)..... | ----- | ----- | 1 | 91201-ZL8-003 | 5581038 |
| 8 | SPARK PLUG (BPR6ES) (NGK)..... | ----- | ----- | 1 | 98079-56846 | 1441112 |

OIL PAN



ZM00-B0600B

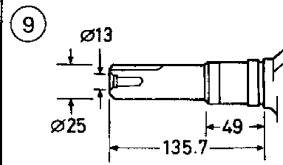
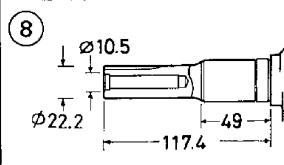
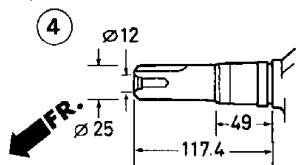
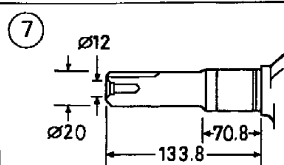
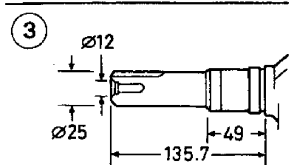
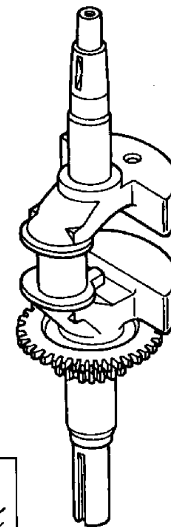
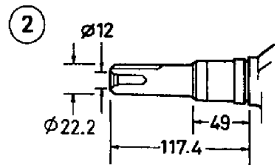
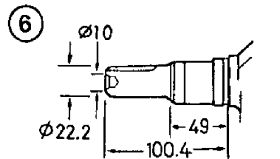
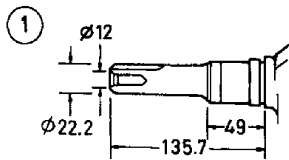
ZM00E0600B

MODEL **TYPE**
 A =GCV160A a =S1A

E-6

| Ref | Description | Engine Serial Number | | QTY | Part Number | H/C |
|-----|-------------------------------|----------------------|-------|-----|---------------|---------|
| | | From | To | | | |
| 1 | PAN ASSY., OIL (000) | ----- | ----- | 1 | 11300-ZM0-405 | 6315675 |
| 3 | GASKET, OIL FILLER CAP | ----- | ----- | 1 | 15625-ZE1-003 | 4497947 |
| 7 | DIPSTICK, OIL | ----- | ----- | 1 | 15650-ZM0-003 | 5722996 |
| 8 | SHAFT, GOVERNOR HOLDER..... | ----- | ----- | 1 | 16508-ZM0-010 | 6384341 |
| 9 | GOVERNOR ASSY..... | ----- | ----- | 1 | 16510-ZM0-010 | 6384333 |
| 10 | WEIGHT, GOVERNOR | ----- | ----- | 2 | 16511-ZL8-000 | 5580287 |
| 11 | HOLDER, GOVERNOR WEIGHT | ----- | ----- | 1 | 16512-ZM0-000 | 5580295 |
| 12 | PIN, GOVERNOR WEIGHT | ----- | ----- | 2 | 16513-ZE1-000 | 1427244 |
| 13 | SLIDER, GOVERNOR | ----- | ----- | 1 | 16531-ZE1-000 | 1427251 |
| 14 | SHAFT, GOVERNOR ARM | ----- | ----- | 1 | 16541-ZM0-000 | 5580303 |
| 15 | BOLT, FLANGE (6X14) | ----- | ----- | 1 | 90014-952-000 | 0803619 |
| 16 | BOLT, FLANGE (6X25) | ----- | ----- | 8 | 90121-952-000 | 0748111 |
| 17 | WASHER, THRUST (6MM) | ----- | ----- | 1 | 90451-ZE1-000 | 2413862 |
| 18 | CLIP, GOVERNOR HOLDER..... | ----- | ----- | 1 | 90602-ZE1-000 | 2456697 |
| 19 | OIL SEAL (28X41.25X6)..... | ----- | ----- | 1 | 91202-ZL8-003 | 5581046 |
| 21 | WASHER, PLAIN (6MM) | ----- | ----- | 1 | 94101-06800 | 0345900 |
| 22 | PIN, LOCK (8MM)..... | ----- | ----- | 1 | 94251-08000 | 0115527 |
| 23 | PIN, DOWEL (8X20)..... | ----- | ----- | 2 | 94301-08200 | 1417369 |

CRANKSHAFT



ZM00-E0700D

ZM00E0700D

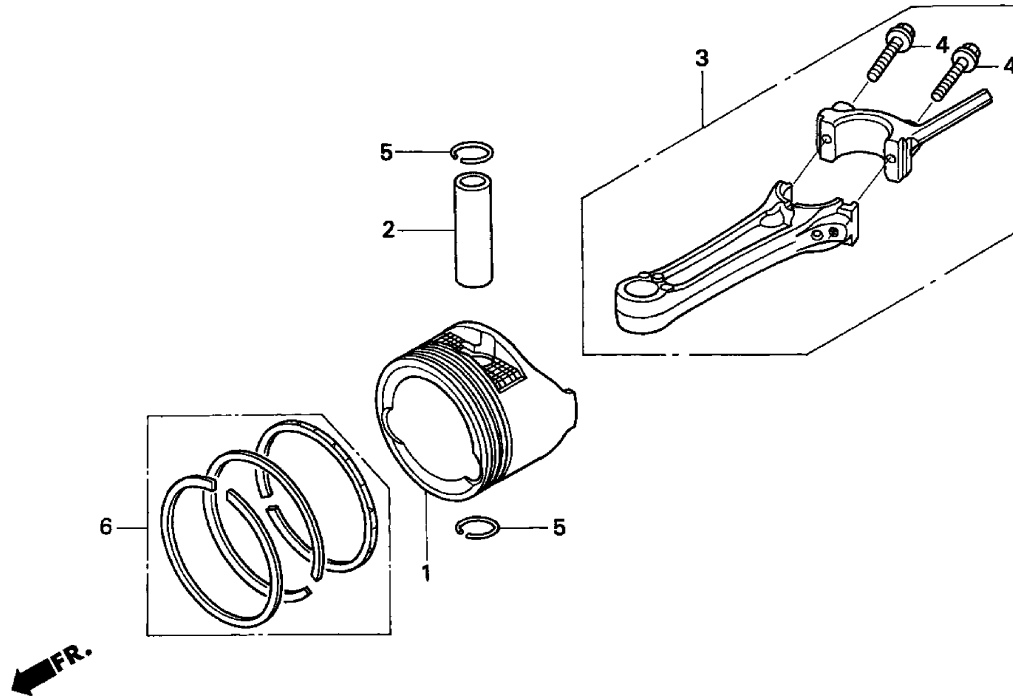
MODEL
A =GCV160A

TYPE
a =S1A

E-7

| Ref | Description | Engine Serial Number | | QTY | Part Number | H/C |
|-----|---------------------------|----------------------|-------|-----|---------------|---------|
| | | From | To | | | |
| 1 | CRANKSHAFT (N1-TYPE)..... | ----- | ----- | 1 | 13310-ZM0-000 | 5580030 |
| 5 | WASHER, THRUST | ----- | ----- | 1 | 90402-ZL8-000 | 5581012 |

PISTON • CONNECTING ROD



ZM00-E0800A

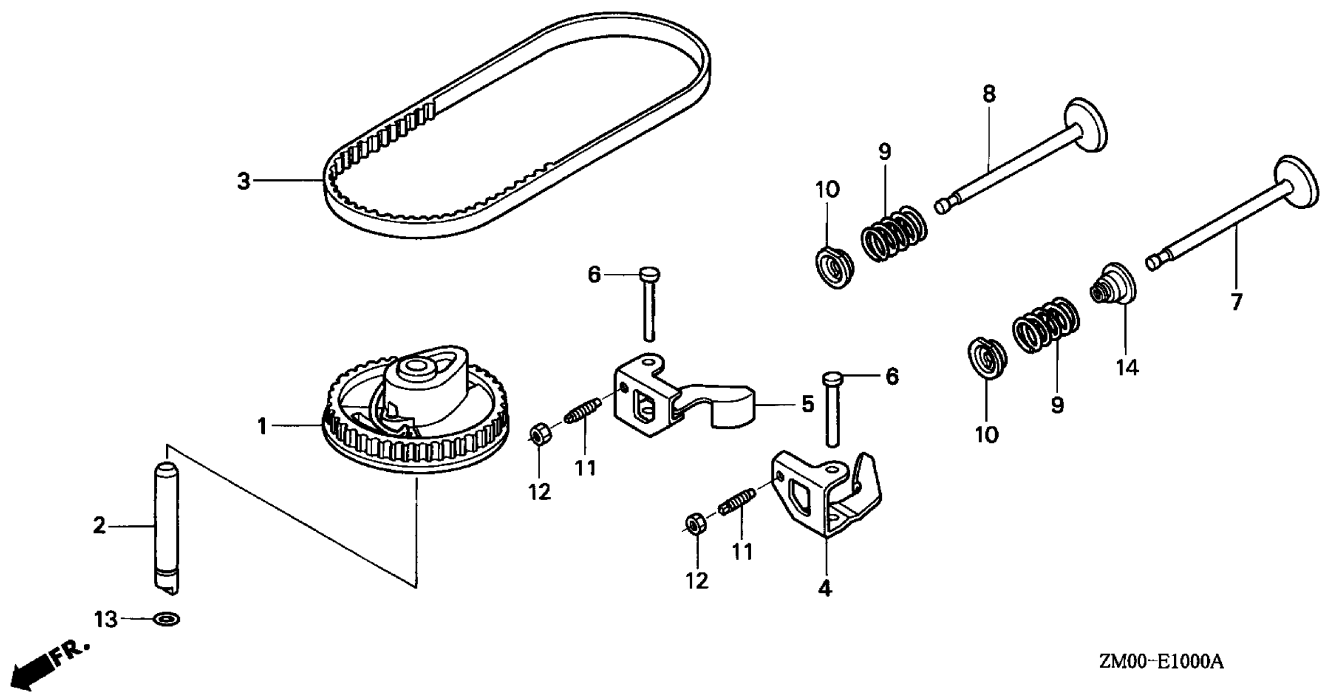
ZM00E0800A

MODEL **TYPE**
 A =GCV160A a =S1A

E-8

| Ref | Description | Engine Serial Number | | QTY | Part Number | H/C |
|-----|----------------------------------|----------------------|-------|-----|---------------|---------|
| | | From | To | | | |
| 1 | PISTON | ----- | ----- | 1 | 13101-ZL8-000 | 5580014 |
| 2 | PIN, PISTON | ----- | ----- | 1 | 13111-ZE0-000 | 1426576 |
| 3 | ROD ASSY., CONNECTING | ----- | ----- | 1 | 13200-ZL8-000 | 5580022 |
| 4 | BOLT, CONNECTING ROD | ----- | ----- | 2 | 90001-ZE1-000 | 1431055 |
| 5 | CLIP, PISTON PIN (13MM) | ----- | ----- | 2 | 90551-ZE0-000 | 2605517 |
| 6 | RING SET, PISTON (TEIKOKU) | ----- | ----- | 1 | 13010-ZL8-014 | 6315717 |

CAMSHAFT PULLEY



ZM00-E1000A

ZM00E1000A

MODEL
A =GCV160A

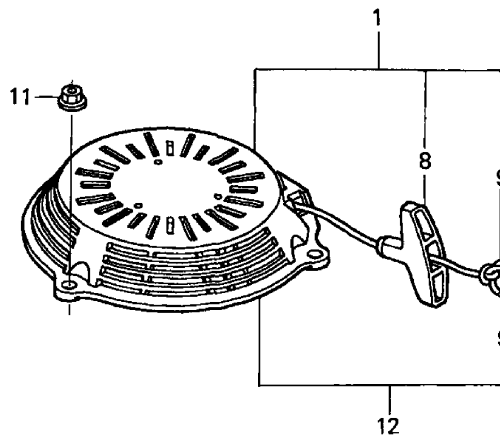
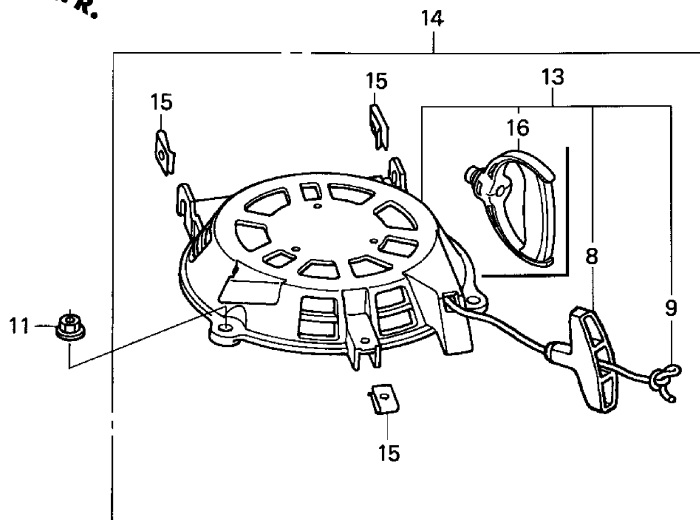
TYPE
a =S1A

E-10

| Ref | Description | Engine Serial Number | | QTY | Part Number | H/C |
|-----|----------------------------------|----------------------|-------|-----|---------------|---------|
| | | From | To | | | |
| 1 | PULLEY, CAMSHAFT | ----- | ----- | 1 | 14320-ZL8-010 | 7049679 |
| 2 | SHAFT, CAM PULLEY | ----- | ----- | 1 | 14324-ZL8-000 | 5580063 |
| 3 | BELT, TIMING (84HU7 G-200)..... | ----- | ----- | 1 | 14400-Z0J-014 | 7058985 |
| 4 | ARM, IN. VALVE ROCKER | ----- | ----- | 1 | 14431-ZL8-000 | 5580089 |
| 5 | ARM, EX. VALVE ROCKER..... | ----- | ----- | 1 | 14441-ZL8-000 | 5580097 |
| | ARM, EX. VALVE ROCKER..... | ----- | ----- | 1 | 14441-Z0J-000 | 7526130 |
| 6 | SHAFT, ROCKER ARM | ----- | ----- | 2 | 14461-ZL8-000 | 5580105 |
| 7 | VALVE, IN. | ----- | ----- | 1 | 14711-Z0J-000 | 7647118 |
| 8 | VALVE, EX. | ----- | ----- | 1 | 14721-ZL8-000 | 5580121 |
| 9 | SPRING, VALVE | ----- | ----- | 2 | 14751-ZL8-000 | 5580139 |
| 10 | RETAINER, IN. VALVE SPRING | ----- | ----- | 2 | 14771-ZE1-000 | 1426980 |
| 11 | SCREW, TAPPET ADJ. | ----- | ----- | 2 | 90012-333-000 | 0294819 |
| 12 | NUT, TAPPET ADJ. | ----- | ----- | 2 | 90206-001-000 | 0004598 |
| 13 | O-RING (6.8X1.9)..... | ----- | ----- | 1 | 91301-ZM0-V31 | 6315873 |
| 14 | SEAL, VALVE STEM | ----- | ----- | 1 | 12209-ZM0-003 | 6839831 |

RECOIL STARTER

FR. ←



ZM00-E1100C

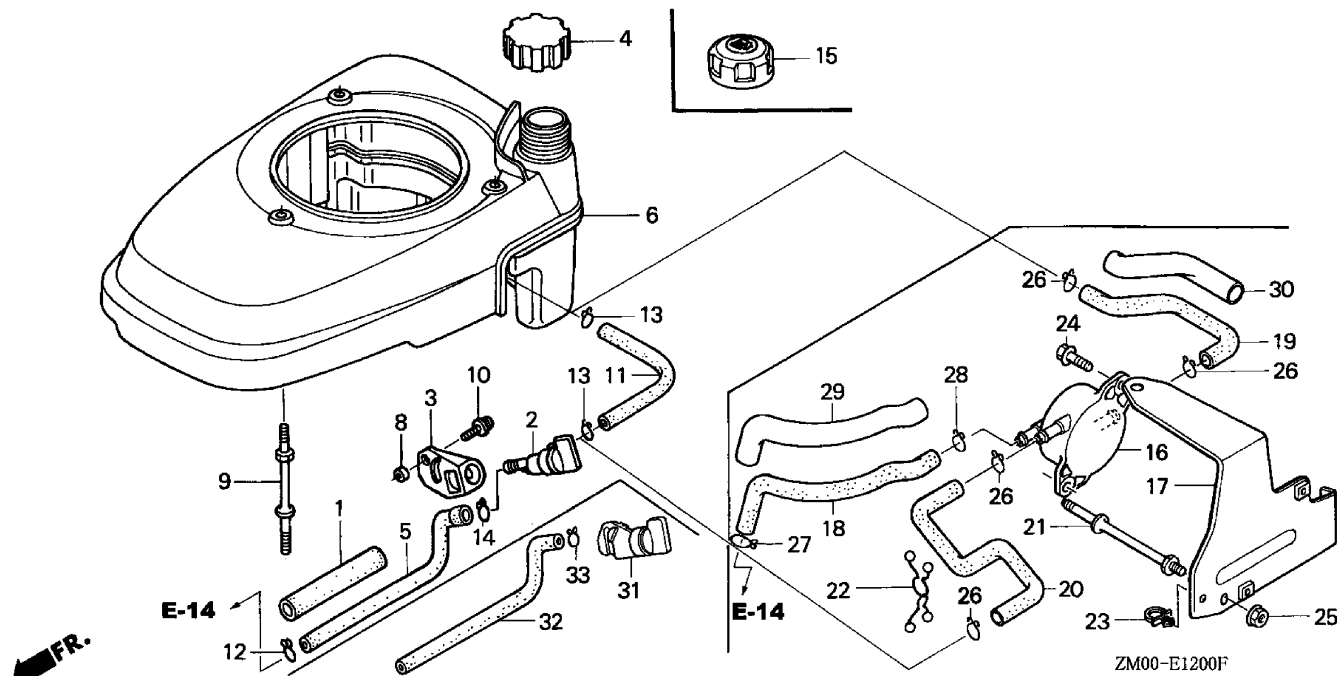
ZM00E1100C

MODEL **TYPE**
 A =GCV160A a =S1A

E-11

| Ref | Description | Engine Serial Number | | QTY | Part Number | H/C |
|-----|--|----------------------|-------|-----|-----------------|---------|
| | | From | To | | | |
| 1 | STARTER ASSY., RECOIL *NH1* (LONG ROPE) (BLACK)..... | ----- | ----- | 1 | 28400-ZM0-632ZA | 6092886 |
| 8 | KNOB, RECOIL STARTER | ----- | ----- | 1 | 28461-ZL8-003 | 5580634 |
| 9 | ROPE, RECOIL STARTER (#3.5X90") | ----- | ----- | 1 | 28462-ZL8-631 | 5580642 |
| 11 | NUT, FLANGE (6MM)..... | ----- | ----- | 3 | 90201-ZM0-000 | 6478812 |

FAN COVER



ZM00E1200F

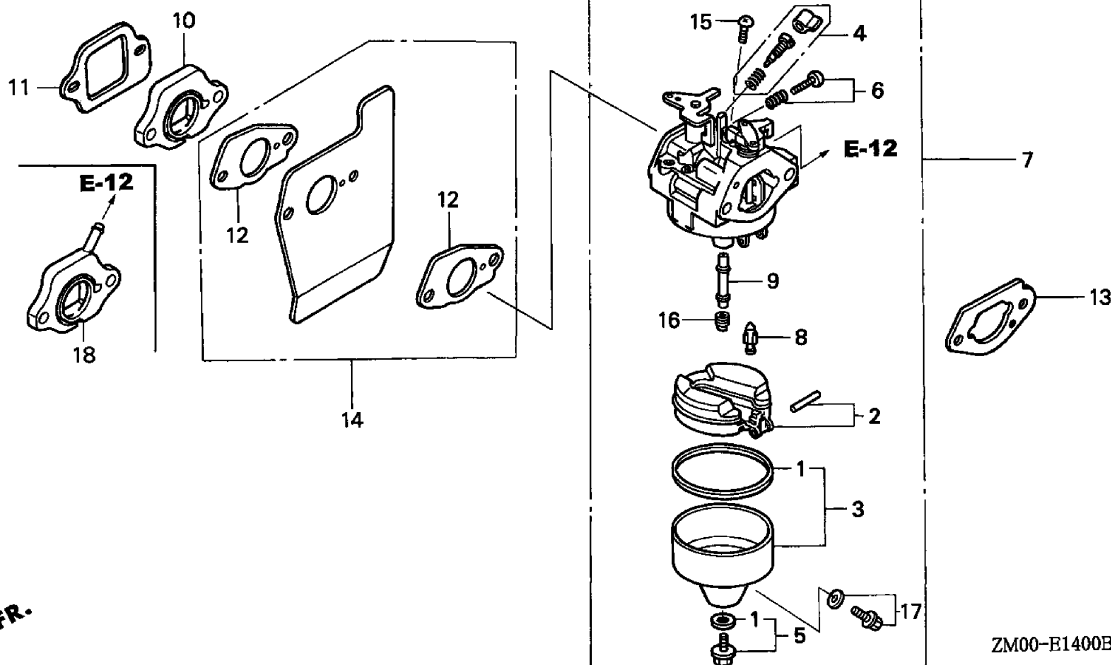
MODEL
A =GCV160A

TYPE
a =S1A

E-12

| Ref | Description | Engine Serial Number | | QTY | Part Number | H/C |
|-----|---------------------------------|----------------------|-------|-----|-----------------|---------|
| | | From | To | | | |
| 1 | RUBBER, SUPPORTER (107MM) | ----- | ----- | 1 | 16854-ZH8-000 | 3683646 |
| 2 | PETCOCK ASSY..... | ----- | ----- | 1 | 16950-ZG9-M03 | 7357379 |
| 3 | BRACKET, PETCOCK | ----- | ----- | 1 | 16956-ZG9-M00 | 5189352 |
| 4 | CAP ASSY., FUEL TANK..... | ----- | ----- | 1 | 17620-ZL8-013 | 6673289 |
| 5 | TUBE, FUEL | ----- | ----- | 1 | 17702-ZM0-000 | 5580469 |
| 6 | COVER, FAN *NH1* (BLACK) | ----- | ----- | 1 | 19610-Z0L-800ZA | 7229875 |
| 8 | COLLAR, FUEL PETCOCK | ----- | ----- | 1 | 91501-Z0L-800 | 6978399 |
| 9 | BOLT, STUD..... | ----- | ----- | 3 | 90043-ZL8-000 | 5581004 |
| 10 | SCREW-WASHER (5X10) | ----- | ----- | 1 | 93891-05010-08 | 0671636 |
| 11 | TUBE, FUEL TANK | ----- | ----- | 1 | 17701-Z0L-000 | 6754279 |
| 12 | CLIP, TUBE (B8) | ----- | ----- | 1 | 95002-02080 | 0250647 |
| 13 | CLIP, TUBE (B10) | ----- | ----- | 2 | 95002-02100 | 0250985 |
| 14 | CLIP, TUBE (C9) | ----- | ----- | 1 | 95002-50000 | 0053447 |

CARBURETOR



ZM00E1400B

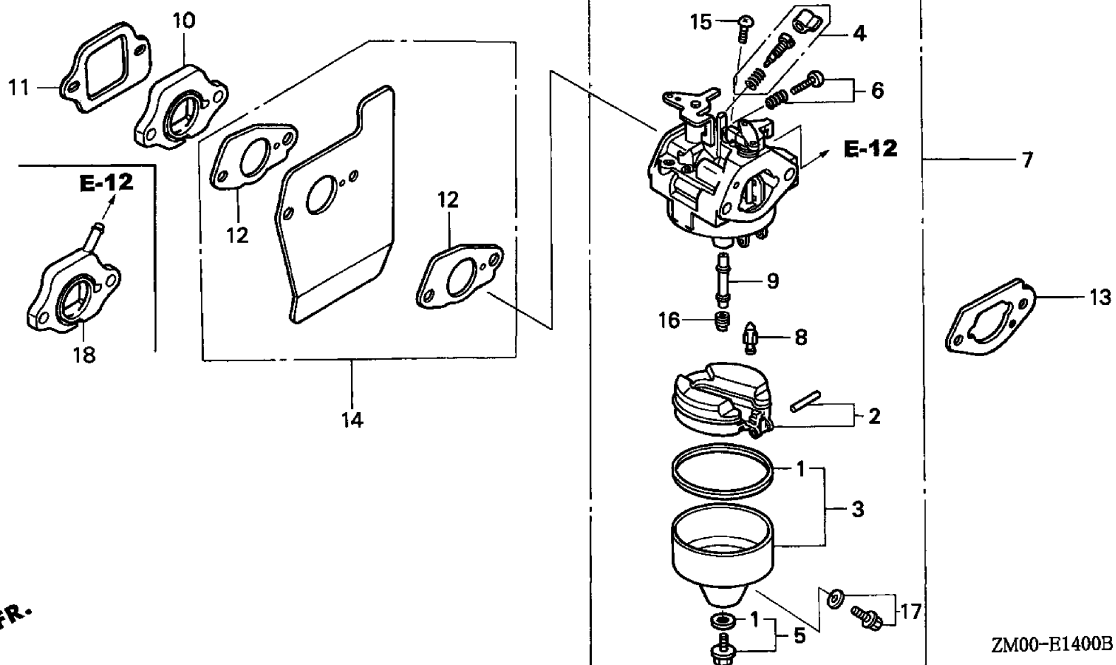
MODEL
A =GCV160A

TYPE
a =S1A

E-14

| Ref | Description | Engine Serial Number | | QTY | Part Number | H/C |
|-----|---|----------------------|-------|-----|----------------|---------|
| | | From | To | | | |
| 1 | GASKET SET | ----- | ----- | 1 | 16010-883-015 | 3088416 |
| 2 | FLOAT SET | ----- | ----- | 1 | 16013-ZL1-003 | 5580162 |
| 3 | CHAMBER SET, FLOAT (CARBURETOR NO.)..... | ----- | ----- | 1 | 16015-887-782 | 3465879 |
| 5 | SCREW SET B..... | ----- | ----- | 1 | 16028-ZE0-005 | 1441518 |
| 7 | CARBURETOR ASSY. (BB62G A)..... | ----- | ----- | 1 | 16100-Z0L-801 | 7301138 |
| 8 | VALVE, FLOAT..... | ----- | ----- | 1 | 16155-ZM0-003 | 5580212 |
| 9 | NOZZLE, MAIN..... | ----- | ----- | 1 | 16166-ZM0-003 | 5580220 |
| 10 | INSULATOR, CARBURETOR | ----- | ----- | 1 | 16211-ZL8-000 | 5580238 |
| 11 | GASKET, INSULATOR..... | ----- | ----- | 1 | 16212-ZL8-000 | 5580246 |
| 12 | GASKET, CARBURETOR | ----- | ----- | 2 | 16221-883-800 | 4581120 |
| 13 | GASKET, CARBURETOR (CHOKE SIDE) | ----- | ----- | 1 | 16228-ZL8-000 | 5580253 |
| 14 | GUIDE, AIR | ----- | ----- | 1 | 19650-ZM0-000 | 5580535 |
| 15 | SCREW, PAN (5X6)..... | ----- | ----- | 1 | 93500-05006-0H | 0639419 |
| 16 | JET, MAIN (#60) (CARBURETOR NO.)..... | ----- | ----- | (1) | 99101-124-0600 | 0635474 |
| | JET, MAIN (#62) (CARBURETOR NO.)..... | ----- | ----- | (1) | 99101-124-0620 | 0635482 |
| | JET, MAIN (#65)..... | ----- | ----- | 1 | 99101-124-0650 | 0636126 |

CARBURETOR



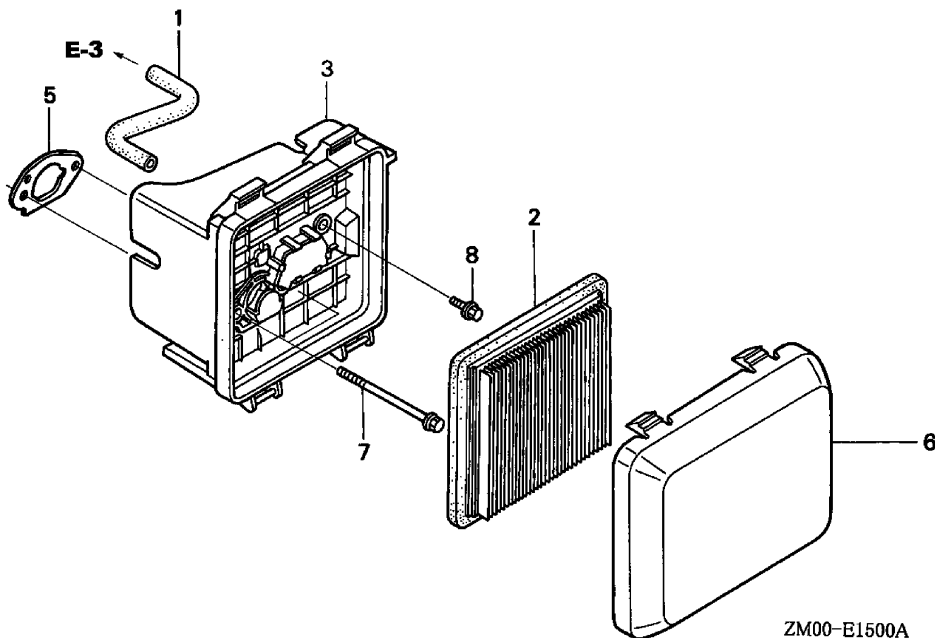
ZM00E1400B

MODEL **TYPE**
 A =GCV160A a =S1A

E-14

| Ref | Description | Engine Serial Number | | QTY | Part Number | H/C |
|-----|---|----------------------|-------|-----|---------------|---------|
| | | From | To | | | |
| 17 | SCREW SET, DRAIN (CARBURETOR NO.)..... | ----- | ----- | 1 | 16024-ZE1-811 | 1672187 |

AIR CLEANER



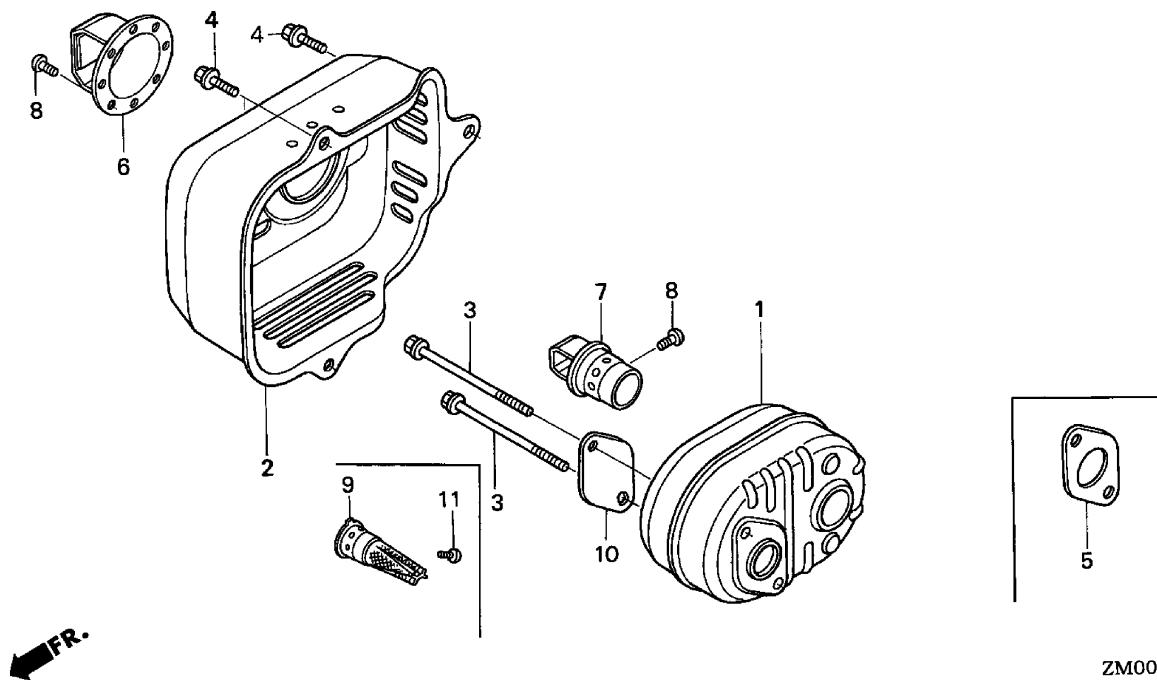
ZM00E1500A

MODEL **TYPE**
 A =GCV160A a =S1A

E-15

| Ref | Description | Engine Serial Number | | QTY | Part Number | H/C |
|-----|-----------------------------------|----------------------|-------|-----|----------------|---------|
| | | From | To | | | |
| 1 | TUBE, BREATHER..... | ----- | ----- | 1 | 15721-ZM0-000 | 5580154 |
| 2 | ELEMENT, AIR CLEANER..... | ----- | ----- | 1 | 17211-ZL8-003 | 6718159 |
| 3 | CASE ASSY., AIR CLEANER | ----- | ----- | 1 | 17220-ZM0-000 | 5580410 |
| 5 | GASKET, AIR CLEANER..... | ----- | ----- | 1 | 17228-ZM0-000 | 5664560 |
| 6 | COVER, AIR CLEANER..... | ----- | ----- | 1 | 17231-Z0L-020 | 7399397 |
| 7 | BOLT, FLANGE (6X86) (CT200) | ----- | ----- | 2 | 90003-ZM0-000 | 5580964 |
| 8 | BOLT, FLANGE (6X14) | ----- | ----- | 1 | 95701-06014-08 | 2374742 |

MUFFLER



ZM00-E1600E

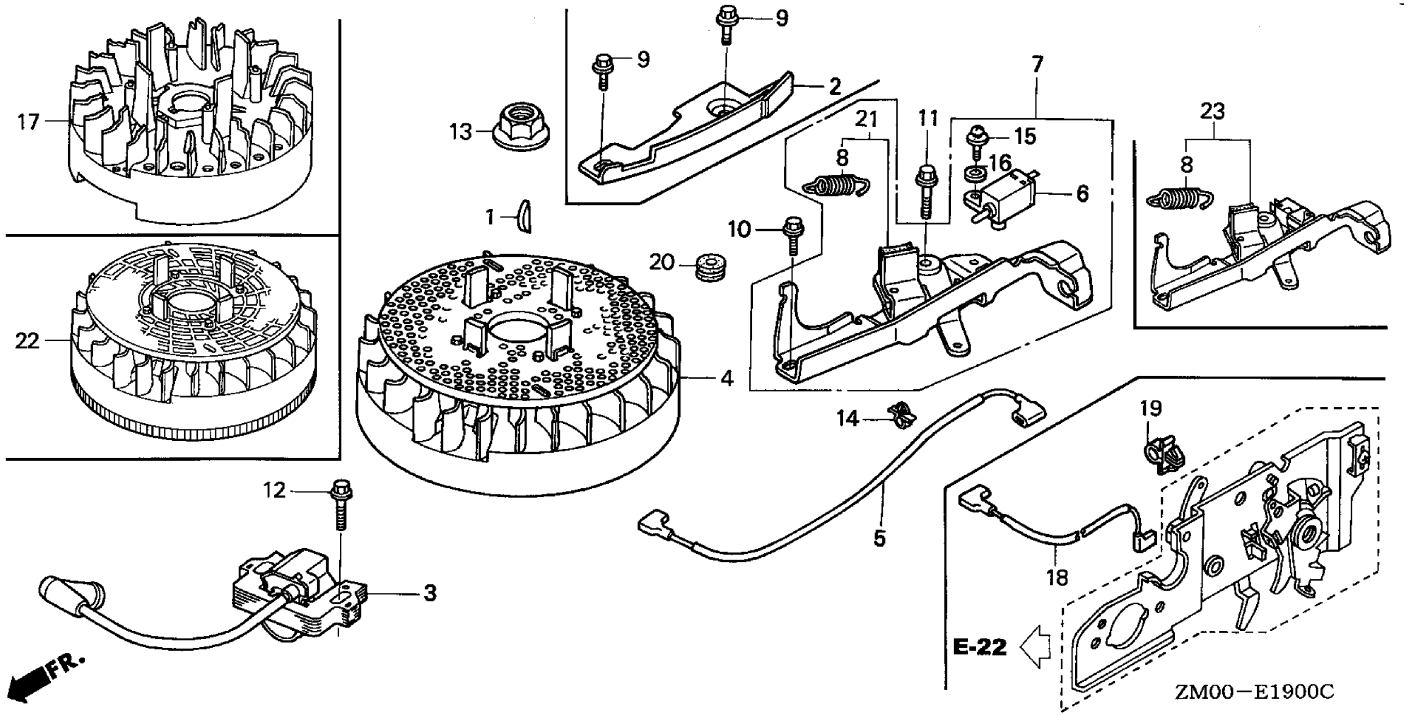
ZM00E1600E

MODEL **TYPE**
 A =GCV160A a =S1A

E-16

| Ref | Description | Engine Serial Number | | QTY | Part Number | H/C |
|-----|-----------------------------------|----------------------|-------|-----|---------------|---------|
| | | From | To | | | |
| 1 | MUFFLER..... | ----- | ----- | 1 | 18310-ZM0-000 | 5580485 |
| 2 | PROTECTOR, MUFFLER | ----- | ----- | 1 | 18321-ZL8-000 | 5580501 |
| 3 | BOLT, FLANGE (6X79) (CT200) | ----- | ----- | 2 | 90004-ZL8-000 | 5580972 |
| 4 | BOLT, FLANGE (6X12) (CT200) | ----- | ----- | 3 | 90013-883-000 | 0636845 |
| 5 | GASKET, MUFFLER | ----- | ----- | (1) | 18381-ZL8-305 | 5737457 |
| 9 | ARRESTER, SPARK | ----- | ----- | (1) | 18350-ZL8-000 | 5656012 |
| 10 | PLATE, ARRESTER NUMBER | ----- | ----- | (1) | 18356-ZL8-000 | 5611397 |
| 11 | SCREW, TAPPING (4X6)..... | ----- | ----- | (1) | 90055-ZE1-000 | 1431121 |

FLYWHEEL



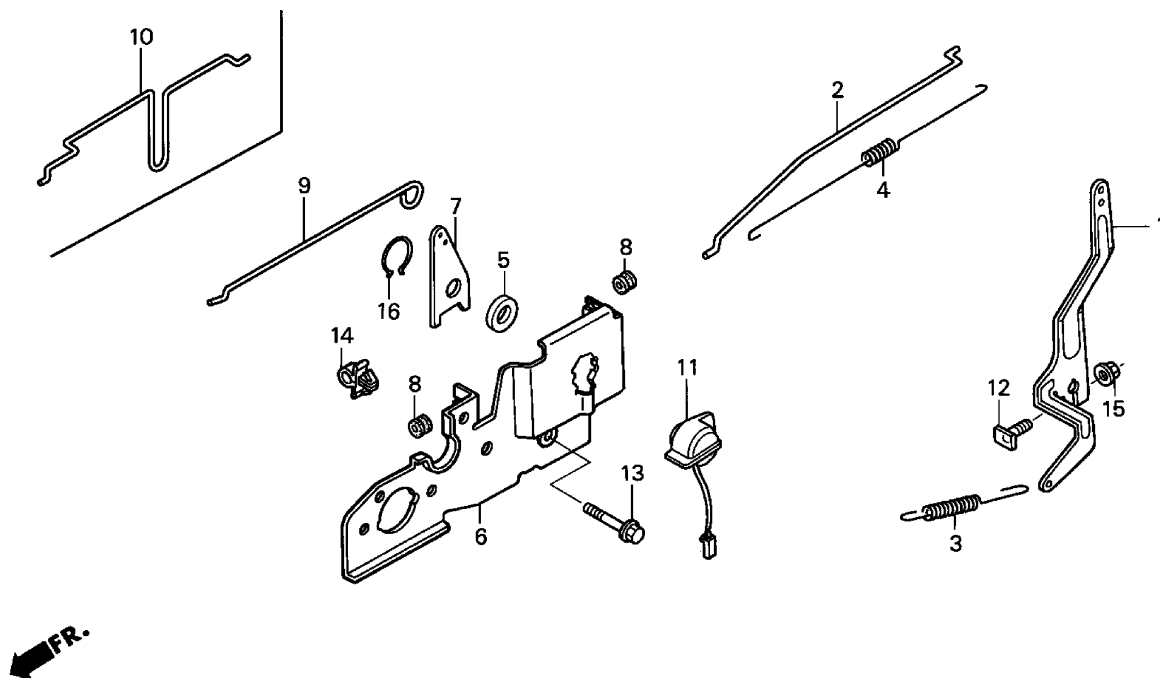
MODEL
A =GCV160A

TYPE
a =S1A

E-19

| Ref | Description | Engine Serial Number | | QTY | Part Number | H/C |
|-----|---------------------------------------|----------------------|-------|-----|----------------|---------|
| | | From | To | | | |
| 1 | KEY, SPECIAL WOODRUFF (25X18) | ----- | ----- | 1 | 13331-357-000 | 0348433 |
| 3 | COIL ASSY., IGNITION | ----- | ----- | 1 | 30500-Z0J-003 | 6859722 |
| 4 | FLYWHEEL ASSY..... | ----- | ----- | 1 | 31105-Z0L-010 | 7489651 |
| 5 | WIRE, STOP SWITCH | ----- | ----- | 1 | 32195-ZM0-800 | 6315816 |
| 6 | SWITCH ASSY., ENGINE STOP (N.C) | ----- | ----- | 1 | 35120-ZM0-003 | 5580683 |
| 8 | SPRING, BRAKE LEVER..... | ----- | ----- | 1 | 75113-ZM0-000 | 5580790 |
| 10 | BOLT, FLANGE (6X14) | ----- | ----- | 1 | 90014-952-000 | 0803619 |
| 11 | BOLT, FLANGE (6X23) | ----- | ----- | 1 | 90018-ZE1-000 | 1725050 |
| 12 | BOLT, FLANGE (6X20) (CT200) | ----- | ----- | 1 | 90022-888-010 | 0671552 |
| 13 | NUT, SPECIAL (14MM) | ----- | ----- | 1 | 90201-878-003 | 0442038 |
| 14 | CLIP, CABLE (A) | ----- | ----- | 1 | 90681-959-003 | 1824630 |
| 15 | SCREW-WASHER (4X12) | ----- | ----- | 1 | 93892-04012-00 | 0485946 |
| 16 | WASHER, PLAIN (4MM) | ----- | ----- | 1 | 94103-04000 | 1510361 |
| 20 | GROMMET A, RR. COVER | ----- | ----- | 1 | 11344-MB0-000 | 1240845 |
| 21 | BRAKE SUB-ASSY. | ----- | ----- | 1 | 75110-Z0L-800 | 7301591 |

CONTROL (3)



ZM00-E2202A

ZM00E2202A

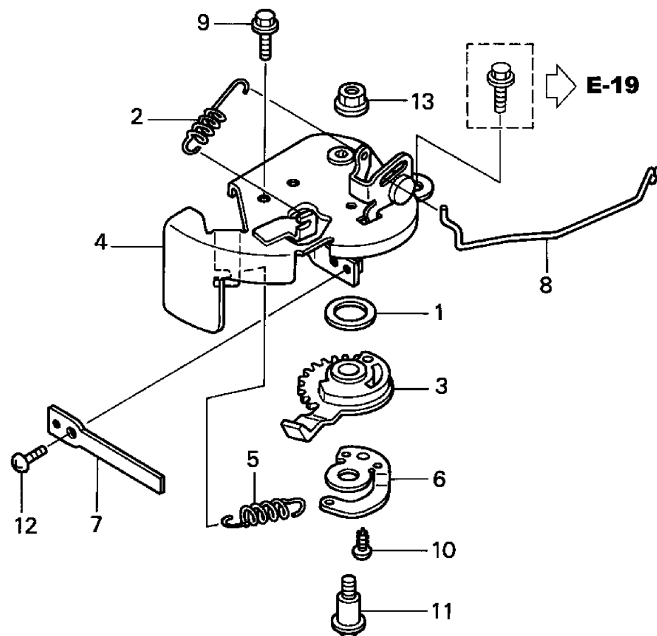
MODEL
A =GCV160A

TYPE
a =S1A

E-22-2

| Ref | Description | Engine Serial Number | | QTY | Part Number | H/C |
|-----|------------------------------|----------------------|-------|-----|---------------|---------|
| | | From | To | | | |
| 1 | ARM, GOVERNOR..... | ----- | ----- | 1 | 16551-ZM0-010 | 6869630 |
| 2 | ROD, GOVERNOR..... | ----- | ----- | 1 | 16555-Z0L-800 | 7229859 |
| 3 | SPRING, GOVERNOR..... | ----- | ----- | 1 | 16561-Z0L-000 | 7544224 |
| 4 | SPRING, THROTTLE RETURN..... | ----- | ----- | 1 | 16562-ZM0-000 | 5580352 |
| 6 | BASE, CONTROL..... | ----- | ----- | 1 | 16580-Z0L-810 | 6978415 |
| 12 | BOLT, GOVERNOR ARM | ----- | ----- | 1 | 90015-ZE5-010 | 2418671 |
| 13 | BOLT, FLANGE (6X45) | ----- | ----- | 1 | 90016-ZE8-000 | 2488187 |
| 15 | NUT, FLANGE (6MM)..... | ----- | ----- | 1 | 94050-06000 | 0471623 |

CHOKE BASE



ZM00- E2203

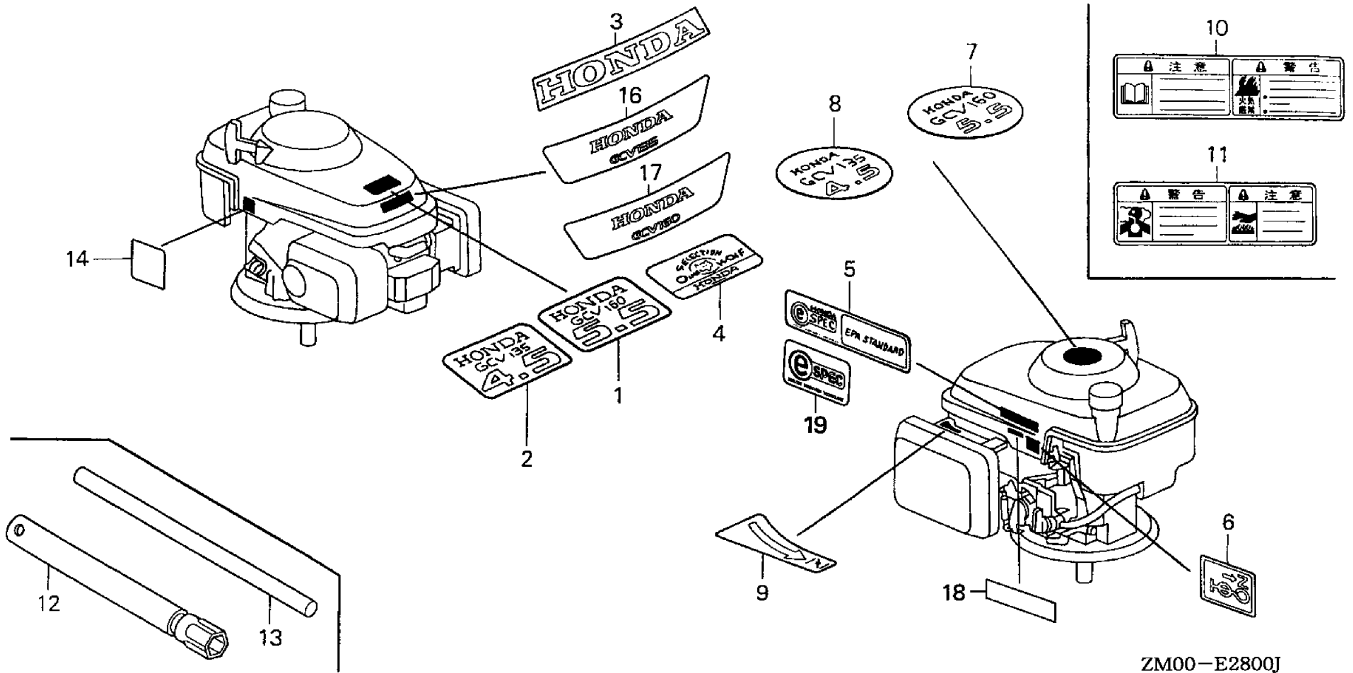
ZM00E2203

MODEL **TYPE**
A =GCV160A a =S1A

E-22-3

| Ref | Description | Engine Serial Number | | QTY | Part Number | H/C |
|-----|---------------------------------|----------------------|-------|-----|----------------|---------|
| | | From | To | | | |
| 1 | SEAL, CHOKE LEVER..... | ----- | ----- | 1 | 16251-Z0L-800 | 7257157 |
| 2 | SPRING, CABLE RETURN | ----- | ----- | 1 | 16592-ZJ1-000 | 4209581 |
| 3 | LEVER, CHOKE | ----- | ----- | 1 | 16612-Z0L-800 | 7257165 |
| 4 | BASE, CHOKE | ----- | ----- | 1 | 16613-Z0L-800 | 7257173 |
| 5 | SPRING, CHOKE LEVER | ----- | ----- | 1 | 16614-Z0L-800 | 7257181 |
| 6 | HOOK, CHOKE SPRING | ----- | ----- | 1 | 16616-Z0L-800 | 7257199 |
| 7 | PLATE, CHOKE | ----- | ----- | 1 | 16619-Z0L-800 | 7257207 |
| 8 | ROD, STOP | ----- | ----- | 1 | 16632-Z0L-800 | 7229867 |
| 9 | BOLT, FLANGE (6X16) | ----- | ----- | 1 | 90029-888-000 | 0747733 |
| 10 | SCREW, TAPPING (4X8) (PO) | ----- | ----- | 1 | 90102-SP1-003 | 3674413 |
| 11 | SCREW, PAN (5X19) | ----- | ----- | 1 | 90141-KT8-000 | 2544690 |
| 12 | SCREW, PAN (4X8) | ----- | ----- | 1 | 93500-04008-0H | 0369017 |
| 13 | NUT, FLANGE (5MM)..... | ----- | ----- | 1 | 94050-05000 | 0636951 |

LABELS



ZM00-E2800J

ZM00E2800J

MODEL **TYPE**
 A =GCV160A a =S1A

E-28

| Ref | Description | Engine Serial Number | | QTY | Part Number | H/C |
|-----|-----------------------------|----------------------|-------|-----|---------------|---------|
| | | From | To | | | |
| 1 | MARK, EMBLEM (5.5) | ----- | ----- | 1 | 87101-ZM0-000 | 5580865 |
| 9 | MARK, CHOKE INDICATION..... | ----- | ----- | 1 | 87528-ZOL-800 | 7229917 |

Part Number Index

PART NUMBER INDEX

| Part Number | Grid | Page | Part Number | Grid | Page | Part Number | Grid | Page |
|---------------------|------|------|-----------------------|------|------|----------------------|------|------|
| (1) | | | 16613-Z0L-800 | 1-C7 | 1-15 | 90014-952-000 | 1-C6 | 1-13 |
| 11300-ZM0-405 | 1-C1 | 1-3 | 16614-Z0L-800 | 1-C7 | 1-15 | 90015-ZE5-010 | 1-C7 | 1-14 |
| 11344-MB0-000 | 1-C6 | 1-13 | 16616-Z0L-800 | 1-C7 | 1-15 | 90016-ZE8-000 | 1-C7 | 1-14 |
| 12000-ZL8-415 | 1-C1 | 1-2 | 16619-Z0L-800 | 1-C7 | 1-15 | 90018-ZE1-000 | 1-C6 | 1-13 |
| 12209-ZM0-003 | 1-C3 | 1-6 | 16632-Z0L-800 | 1-C7 | 1-15 | 90022-888-010 | 1-C6 | 1-13 |
| 12311-ZL8-000 | 1-C1 | 1-2 | 16854-ZH8-000 | 1-C4 | 1-8 | 90029-888-000 | 1-C7 | 1-15 |
| 12355-ZL8-000 | 1-C1 | 1-2 | 16950-ZG9-M03 | 1-C4 | 1-8 | 90043-ZL8-000 | 1-C4 | 1-8 |
| 13010-ZL8-014 | 1-C2 | 1-5 | 16956-ZG9-M00 | 1-C4 | 1-8 | 90055-ZE1-000 | 1-C6 | 1-12 |
| 13101-ZL8-000 | 1-C2 | 1-5 | 17211-ZL8-003 | 1-C5 | 1-11 | 90102-SP1-003 | 1-C7 | 1-15 |
| 13111-ZE0-000 | 1-C2 | 1-5 | 17220-ZM0-000 | 1-C5 | 1-11 | 90121-952-000 | 1-C1 | 1-3 |
| 13200-ZL8-000 | 1-C2 | 1-5 | 17228-ZM0-000 | 1-C5 | 1-11 | 90141-KT8-000 | 1-C7 | 1-15 |
| 13310-ZM0-000 | 1-C2 | 1-4 | 17231-Z0L-020 | 1-C5 | 1-11 | 90201-878-003 | 1-C6 | 1-13 |
| 13331-357-000 | 1-C6 | 1-13 | 17620-ZL8-013 | 1-C4 | 1-8 | 90201-ZM0-000 | 1-C3 | 1-7 |
| 14320-ZL8-010 | 1-C3 | 1-6 | 17701-Z0L-000 | 1-C4 | 1-8 | 90206-001-000 | 1-C3 | 1-6 |
| 14324-ZL8-000 | 1-C3 | 1-6 | 17702-ZM0-000 | 1-C4 | 1-8 | 90402-ZL8-000 | 1-C2 | 1-4 |
| 14400-Z0J-014 | 1-C3 | 1-6 | 18310-ZM0-000 | 1-C6 | 1-12 | 90451-ZE1-000 | 1-C1 | 1-3 |
| 14431-ZL8-000 | 1-C3 | 1-6 | 18321-ZL8-000 | 1-C6 | 1-12 | 90551-ZE0-000 | 1-C2 | 1-5 |
| 14441-Z0J-000 | 1-C3 | 1-6 | 18350-ZL8-000 | 1-C6 | 1-12 | 90602-ZE1-000 | 1-C1 | 1-3 |
| 14441-ZL8-000 | 1-C3 | 1-6 | 18356-ZL8-000 | 1-C6 | 1-12 | 90681-959-003 | 1-C6 | 1-13 |
| 14461-ZL8-000 | 1-C3 | 1-6 | 18381-ZL8-305 | 1-C6 | 1-12 | 91201-ZL8-003 | 1-C1 | 1-2 |
| 14711-Z0J-000 | 1-C3 | 1-6 | 19610-Z0L-800ZA | 1-C4 | 1-8 | 91202-ZL8-003 | 1-C1 | 1-3 |
| 14721-ZL8-000 | 1-C3 | 1-6 | 19650-ZM0-000 | 1-C4 | 1-9 | 91301-ZM0-V31 | 1-C3 | 1-6 |
| 14751-ZL8-000 | 1-C3 | 1-6 | (2) | | | 91501-Z0L-800 | 1-C4 | 1-8 |
| 14771-ZE1-000 | 1-C3 | 1-6 | 28400-ZM0-632ZA | 1-C3 | 1-7 | 93500-04008-0H | 1-C7 | 1-15 |
| 15625-ZE1-003 | 1-C1 | 1-3 | 28461-ZL8-003 | 1-C3 | 1-7 | 93500-05006-0H | 1-C4 | 1-9 |
| 15650-ZM0-003 | 1-C1 | 1-3 | 28462-ZL8-631 | 1-C3 | 1-7 | 93891-05010-08 | 1-C4 | 1-8 |
| 15721-ZM0-000 | 1-C5 | 1-11 | (3) | | | 93892-04012-00 | 1-C6 | 1-13 |
| 16010-883-015 | 1-C4 | 1-9 | 30500-Z0J-003 | 1-C6 | 1-13 | 94050-05000 | 1-C7 | 1-15 |
| 16013-ZL1-003 | 1-C4 | 1-9 | 31105-Z0L-010 | 1-C6 | 1-13 | 94050-06000 | 1-C7 | 1-14 |
| 16015-887-782 | 1-C4 | 1-9 | 32195-ZM0-800 | 1-C6 | 1-13 | 94101-06800 | 1-C1 | 1-3 |
| 16024-ZE1-811 | 1-C5 | 1-10 | 35120-ZM0-003 | 1-C6 | 1-13 | 94103-04000 | 1-C6 | 1-13 |
| 16028-ZE0-005 | 1-C4 | 1-9 | (7) | | | 94251-08000 | 1-C1 | 1-3 |
| 16100-Z0L-801 | 1-C4 | 1-9 | 75110-Z0L-800 | 1-C6 | 1-13 | 94301-08200 | 1-C1 | 1-3 |
| 16155-ZM0-003 | 1-C4 | 1-9 | 75113-ZM0-000 | 1-C6 | 1-13 | 95002-02080 | 1-C4 | 1-8 |
| 16166-ZM0-003 | 1-C4 | 1-9 | (8) | | | 95002-02100 | 1-C4 | 1-8 |
| 16211-ZL8-000 | 1-C4 | 1-9 | 87101-ZM0-000 | 1-C8 | 1-16 | 95002-50000 | 1-C4 | 1-8 |
| 16212-ZL8-000 | 1-C4 | 1-9 | 87528-Z0L-800 | 1-C8 | 1-16 | 95701-06014-08 | 1-C5 | 1-11 |
| 16221-883-800 | 1-C4 | 1-9 | (9) | | | 98079-56846 | 1-C1 | 1-2 |
| 16228-ZL8-000 | 1-C4 | 1-9 | 90001-ZE1-000 | 1-C2 | 1-5 | 99101-124-0600 | 1-C4 | 1-9 |
| 16251-Z0L-800 | 1-C7 | 1-15 | 90003-ZM0-000 | 1-C5 | 1-11 | 99101-124-0620 | 1-C4 | 1-9 |
| 16508-ZM0-010 | 1-C1 | 1-3 | 90004-ZL8-000 | 1-C6 | 1-12 | 99101-124-0650 | 1-C4 | 1-9 |
| 16510-ZM0-010 | 1-C1 | 1-3 | 90012-333-000 | 1-C3 | 1-6 | | | |
| 16511-ZL8-000 | 1-C1 | 1-3 | 90013-883-000 | 1-C1 | 1-2 | | | |
| 16512-ZM0-000 | 1-C1 | 1-3 | | 1-C6 | 1-12 | | | |
| 16513-ZE1-000 | 1-C1 | 1-3 | 90014-952-000 | 1-C1 | 1-2 | | | |
| 16531-ZE1-000 | 1-C1 | 1-3 | | 1-C1 | 1-3 | | | |
| 16541-ZM0-000 | 1-C1 | 1-3 | | | | | | |
| 16551-ZM0-010 | 1-C7 | 1-14 | | | | | | |
| 16555-Z0L-800 | 1-C7 | 1-14 | | | | | | |
| 16561-Z0L-000 | 1-C7 | 1-14 | | | | | | |
| 16562-ZM0-000 | 1-C7 | 1-14 | | | | | | |
| 16580-Z0L-810 | 1-C7 | 1-14 | | | | | | |
| 16592-ZJ1-000 | 1-C7 | 1-15 | | | | | | |
| 16612-Z0L-800 | 1-C7 | 1-15 | | | | | | |

Description

Index

DESCRIPTION INDEX

| Description | Grid | Page | Ref | Description | Grid | Page | Ref |
|-----------------------------------|------|------|-----|-------------------------------------|------|------|-----|
| (A) | | | | (D) | | | |
| ARM, EX. VALVE ROCKER | 1-C3 | 1-6 | 5 | DIPSTICK, OIL | 1-C1 | 1-3 | 7 |
| ARM, GOVERNOR | 1-C7 | 1-14 | 1 | (E) | | | |
| ARM, IN. VALVE ROCKER | 1-C3 | 1-6 | 4 | ELEMENT, AIR CLEANER | 1-C5 | 1-11 | 2 |
| ARRESTER, SPARK | 1-C6 | 1-12 | 9 | (F) | | | |
| (B) | | | | (G) | | | |
| BASE, CHOKE | 1-C7 | 1-15 | 4 | FLOAT SET | 1-C4 | 1-9 | 2 |
| BASE, CONTROL | 1-C7 | 1-14 | 6 | FLYWHEEL ASSY..... | 1-C6 | 1-13 | 4 |
| BELT, TIMING (84HU7 G-200) | 1-C3 | 1-6 | 3 | (H) | | | |
| BOLT, CONNECTING ROD | 1-C2 | 1-5 | 4 | (I) | | | |
| BOLT, FLANGE (6X12) (CT200) | 1-C1 | 1-2 | 5 | INSULATOR, CARBURETOR | 1-C4 | 1-9 | 10 |
| | 1-C6 | 1-12 | 4 | (J) | | | |
| BOLT, FLANGE (6X14) | 1-C1 | 1-2 | 6 | JET, MAIN (#60) | 1-C4 | 1-9 | 16 |
| | 1-C1 | 1-3 | 15 | JET, MAIN (#62) | 1-C4 | 1-9 | 16 |
| | 1-C5 | 1-11 | 8 | JET, MAIN (#65) | 1-C4 | 1-9 | 16 |
| | 1-C6 | 1-13 | 10 | (K) | | | |
| BOLT, FLANGE (6X16) | 1-C7 | 1-15 | 9 | KEY, SPECIAL WOODRUFF (25X18) | 1-C6 | 1-13 | 1 |
| BOLT, FLANGE (6X20) (CT200) | 1-C6 | 1-13 | 12 | KNOB, RECOIL STARTER | 1-C3 | 1-7 | 8 |
| BOLT, FLANGE (6X23) | 1-C6 | 1-13 | 11 | (L) | | | |
| BOLT, FLANGE (6X25) | 1-C1 | 1-3 | 16 | LEVER, CHOKE | 1-C7 | 1-15 | 3 |
| BOLT, FLANGE (6X45) | 1-C7 | 1-14 | 13 | (M) | | | |
| BOLT, FLANGE (6X79) (CT200) | 1-C6 | 1-12 | 3 | MARK, CHOKE INDICATION | 1-C8 | 1-16 | 9 |
| BOLT, FLANGE (6X86) (CT200) | 1-C5 | 1-11 | 7 | MARK, EMBLEM (5.5) | 1-C8 | 1-16 | 1 |
| BOLT, GOVERNOR ARM | 1-C7 | 1-14 | 12 | MUFFLER | 1-C6 | 1-12 | 1 |
| BOLT, STUD | 1-C4 | 1-8 | 9 | | | | |
| BRACKET, PETCOCK | 1-C4 | 1-8 | 3 | | | | |
| BRAKE SUB-ASSY. | 1-C6 | 1-13 | 21 | | | | |
| (C) | | | | | | | |
| CAP ASSY., FUEL TANK | 1-C4 | 1-8 | 4 | | | | |
| CARBURETOR ASSY. (BB62G A) | 1-C4 | 1-9 | 7 | | | | |
| CASE ASSY., AIR CLEANER | 1-C5 | 1-11 | 3 | | | | |
| CHAMBER SET, FLOAT | 1-C4 | 1-9 | 3 | | | | |
| CLIP, CABLE (A) | 1-C6 | 1-13 | 14 | | | | |
| CLIP, GOVERNOR HOLDER | 1-C1 | 1-3 | 18 | | | | |
| CLIP, PISTON PIN (13MM) | 1-C2 | 1-5 | 5 | | | | |
| CLIP, TUBE (B10) | 1-C4 | 1-8 | 13 | | | | |
| CLIP, TUBE (B8) | 1-C4 | 1-8 | 12 | | | | |
| CLIP, TUBE (C9) | 1-C4 | 1-8 | 14 | | | | |
| COIL ASSY., IGNITION | 1-C6 | 1-13 | 3 | | | | |
| COLLAR, FUEL PETCOCK | 1-C4 | 1-8 | 8 | | | | |
| COVER, AIR CLEANER | 1-C5 | 1-11 | 6 | | | | |
| COVER, BREATHER | 1-C1 | 1-2 | 4 | | | | |
| COVER, FAN *NH1* (BLACK) | 1-C4 | 1-8 | 6 | | | | |
| COVER, HEAD | 1-C1 | 1-2 | 3 | | | | |
| CRANKSHAFT (N1-TYPE) | 1-C2 | 1-4 | 1 | | | | |
| CYLINDER ASSY. (010) | 1-C1 | 1-2 | 1 | | | | |

DESCRIPTION INDEX

| Description | Grid | Page | Ref | Description | Grid | Page | Ref |
|---------------------------------------|------|------|-----|---|------|------|-----|
| (N) | | | | SHAFT, ROCKER ARM | 1-C3 | 1-6 | 6 |
| NOZZLE, MAIN | 1-C4 | 1-9 | 9 | SLIDER, GOVERNOR | 1-C1 | 1-3 | 13 |
| NUT, FLANGE (5MM) | 1-C7 | 1-15 | 13 | SPARK PLUG (BPR6ES) (NGK) | 1-C1 | 1-2 | 8 |
| NUT, FLANGE (6MM) | 1-C3 | 1-7 | 11 | SPRING, BRAKE LEVER | 1-C6 | 1-13 | 8 |
| | 1-C7 | 1-14 | 15 | SPRING, CABLE RETURN | 1-C7 | 1-15 | 2 |
| NUT, SPECIAL (14MM) | 1-C6 | 1-13 | 13 | SPRING, CHOKE LEVER | 1-C7 | 1-15 | 5 |
| NUT, TAPPET ADJ. | 1-C3 | 1-6 | 12 | SPRING, GOVERNOR | 1-C7 | 1-14 | 3 |
| (O) | | | | SPRING, THROTTLE RETURN | 1-C7 | 1-14 | 4 |
| OIL SEAL (25.4X62X6) | 1-C1 | 1-2 | 7 | SPRING, VALVE | 1-C3 | 1-6 | 9 |
| OIL SEAL (28X41.25X6) | 1-C1 | 1-3 | 19 | STARTER ASSY., RECOIL *NH1* (LONG ROPE) | | | |
| O-RING (6.8X1.9) | 1-C3 | 1-6 | 13 | (BLACK) | 1-C3 | 1-7 | 1 |
| (P) | | | | SWITCH ASSY., ENGINE STOP (N.C) | 1-C6 | 1-13 | 6 |
| PAN ASSY., OIL (000) | 1-C1 | 1-3 | 1 | (T) | | | |
| PETCOCK ASSY. | 1-C4 | 1-8 | 2 | TUBE, BREATHER | 1-C5 | 1-11 | 1 |
| PIN, DOWEL (8X20) | 1-C1 | 1-3 | 23 | TUBE, FUEL | 1-C4 | 1-8 | 5 |
| PIN, GOVERNOR WEIGHT | 1-C1 | 1-3 | 12 | TUBE, FUEL TANK | 1-C4 | 1-8 | 11 |
| PIN, LOCK (8MM) | 1-C1 | 1-3 | 22 | (V) | | | |
| PIN, PISTON | 1-C2 | 1-5 | 2 | VALVE, EX. | 1-C3 | 1-6 | 8 |
| PISTON | 1-C2 | 1-5 | 1 | VALVE, FLOAT | 1-C4 | 1-9 | 8 |
| PLATE, ARRESTER NUMBER | 1-C6 | 1-12 | 10 | VALVE, IN. | 1-C3 | 1-6 | 7 |
| PLATE, CHOKE | 1-C7 | 1-15 | 7 | (W) | | | |
| PROTECTOR, MUFFLER | 1-C6 | 1-12 | 2 | WASHER, PLAIN (4MM) | 1-C6 | 1-13 | 16 |
| PULLEY, CAMSHAFT | 1-C3 | 1-6 | 1 | WASHER, PLAIN (6MM) | 1-C1 | 1-3 | 21 |
| (R) | | | | WASHER, THRUST | 1-C2 | 1-4 | 5 |
| RETAINER, IN. VALVE SPRING | 1-C3 | 1-6 | 10 | WASHER, THRUST (6MM) | 1-C1 | 1-3 | 17 |
| RING SET, PISTON (TEIKOKU) | 1-C2 | 1-5 | 6 | WEIGHT, GOVERNOR | 1-C1 | 1-3 | 10 |
| ROD ASSY., CONNECTING | 1-C2 | 1-5 | 3 | WIRE, STOP SWITCH | 1-C6 | 1-13 | 5 |
| ROD, GOVERNOR | 1-C7 | 1-14 | 2 | (S) | | | |
| ROD, STOP | 1-C7 | 1-15 | 8 | SCREW, PAN (4X8) | 1-C7 | 1-15 | 12 |
| ROPE, RECOIL STARTER (#3.5X90") | 1-C3 | 1-7 | 9 | SCREW, PAN (5X19) | 1-C7 | 1-15 | 11 |
| RUBBER, SUPPORTER (107MM) | 1-C4 | 1-8 | 1 | SCREW, PAN (5X6) | 1-C4 | 1-9 | 15 |
| (S) | | | | SCREW SET B | 1-C4 | 1-9 | 5 |
| SCREW, PAN (4X8) | 1-C7 | 1-15 | 12 | SCREW SET, DRAIN | 1-C5 | 1-10 | 17 |
| SCREW, PAN (5X19) | 1-C7 | 1-15 | 11 | SCREW, TAPPET ADJ. | 1-C3 | 1-6 | 11 |
| SCREW, PAN (5X6) | 1-C4 | 1-9 | 15 | SCREW, TAPPING (4X6) | 1-C6 | 1-12 | 11 |
| SCREW SET B | 1-C4 | 1-9 | 5 | SCREW, TAPPING (4X8) (PO) | 1-C7 | 1-15 | 10 |
| SCREW SET, DRAIN | 1-C5 | 1-10 | 17 | SCREW-WASHER (4X12) | 1-C6 | 1-13 | 15 |
| SCREW, TAPPET ADJ. | 1-C3 | 1-6 | 11 | SCREW-WASHER (5X10) | 1-C4 | 1-8 | 10 |
| SCREW, TAPPING (4X6) | 1-C6 | 1-12 | 11 | SEAL, CHOKE LEVER | 1-C7 | 1-15 | 1 |
| SCREW, TAPPING (4X8) (PO) | 1-C7 | 1-15 | 10 | SEAL, VALVE STEM | 1-C3 | 1-6 | 14 |
| SCREW-WASHER (4X12) | 1-C6 | 1-13 | 15 | SHAFT, CAM PULLEY | 1-C3 | 1-6 | 2 |
| SCREW-WASHER (5X10) | 1-C4 | 1-8 | 10 | SHAFT, GOVERNOR ARM | 1-C1 | 1-3 | 14 |
| SEAL, CHOKE LEVER | 1-C7 | 1-15 | 1 | SHAFT, GOVERNOR HOLDER | 1-C1 | 1-3 | 8 |
| SEAL, VALVE STEM | 1-C3 | 1-6 | 14 | | | | |
| SHAFT, CAM PULLEY | 1-C3 | 1-6 | 2 | | | | |
| SHAFT, GOVERNOR ARM | 1-C1 | 1-3 | 14 | | | | |
| SHAFT, GOVERNOR HOLDER | 1-C1 | 1-3 | 8 | | | | |