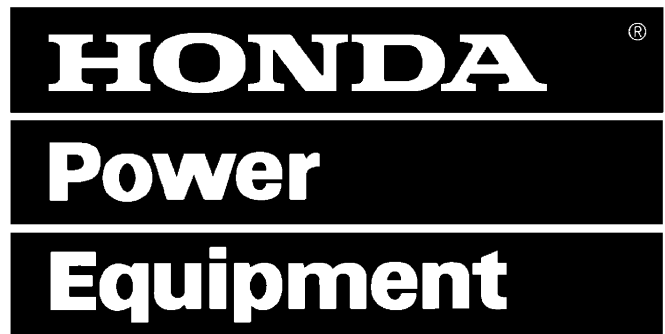


# General Purpose Engine

**GCV160A**  
**(TYPE S1M)**



**Parts Catalog**

MAY, 2006

**American Honda Motor Co., Inc.**



# TABLE OF CONTENTS

## Introduction

## Grid / Page

- HOW TO USE THIS CATALOG ..... A2 4
- SERIAL NUMBERS ..... A3 6
- BULK HOSE PART NUMBER PATTERN..... A3 7
- MASTER INDEX ..... A4 8

## Part Groups

- ENGINE SECTION ..... 1-C1 1-1

## Index

- PART NUMBER INDEX ..... B1 2-1
- DESCRIPTION INDEX ..... 1-D1 3-1

# HOW TO USE THIS CATALOG

## CATALOG/CATALOGUE PAGE BREAKDOWN (Generic layout-sample data only)

| MODEL |                          | TYPE |      | Engine Serial Number |          | ORG | QTY | Part Number   | H/C     |
|-------|--------------------------|------|------|----------------------|----------|-----|-----|---------------|---------|
| Ref   | Description              | Mod  | Type | From                 | To       |     |     |               |         |
| 1     | COVER SET, CYLINDER HEAD | 4    | b    | 15240057             | -----    | JPN | 1   | 12310-PE2-020 | 2031797 |
|       | COVER SET, CYLINDER HEAD |      |      | -----                | 12234811 | USA | 1   | 12310-PE2-030 | 2210888 |

### KEY TO CATALOG/CATALOGUE PAGE BREAKDOWN

1. **Ref** - Reference numbers correspond to the reference numbers on the illustrations. All illustrations are representative only, and do not necessarily look exactly like the actual part. "Nl" signifies the part is not illustrated. Reference numbers may be skipped when they apply to other models.

2. **Description\*** - Describes the part for the related part number.

Abbreviations:

|                          |   |
|--------------------------|---|
| ASSY. - Assembly         | A.C. - Alternating Current                  |
| L(100L) - Link(100Links) | D.C. - Direct Current                       |
| R. - Right               | KPH - Kilometers Per Hour                   |
| L. - Left                | MPH - Miles Per Hour                        |
| IN. - Inlet              | A.M. - Attaching Mark                       |
| EX. - Exhaust            | T.M. - Transcript Mark                      |
| FR. - Front              | A - Ampere                                  |
| RR. - Rear               | WL - With Labeling                          |
| HEX. - Hexagonal         | WOL - Without Labeling                      |
| STD. - Standard          | T (22T) - Tooth                             |
| MM - Millimeter          | C.D.I. - Capacitive Discharge Ignition      |
| G - Gram                 | G.F.C.I. - Ground Fault Circuit Interruptor |
| V - Volt                 |   |
| W - Watt                 |   |

3. **Mod\*** - Model alpha labeling is unique per catalog/catalogue (not consistent with other catalogs/catalogues).

4. Each model and type in the catalog/catalogue is represented by an alpha label.

5. **Serial Number** - Applies to Engine or Frame serial numbers depending on the section. The serial numbers of a unit (frame, engine, carburetor) should be checked prior to ordering parts for the unit. In cases where a part has been modified, the beginning and/or ending serial number of the unit bearing the modification is listed in the "SERIAL NUMBER" column. Modification parts can be controlled by three types of numbers as described below.

**Engine serial number** - Engine group parts (Block numbers beginning with "E").

**Carburetor identification number** - Carburetor component parts.

**Frame serial number** - Frame group parts (Block numbers beginning with "F").

Note 1 - A modification that does not follow the pattern above will be clarified by a comment located below the part description. A serial number chart and a guide to serial number locations are provided in the front portion of the catalog/catalogue.

Note 2 - Although most models will be identified by Engine and Frame serial numbers, some models may be identified by one serial number only - either Engine serial number or Frame serial number.

6. **Type\*** - Model Type is defined in the serial number chart.

7. **ORG\*** - Manufacturing country of origin of the unit.

8. **QTY** - Quantity required for the specified Block/Section.

A. "AR" in place of the quantity indicates AS REQUIRED.

B. "(" Parentheses in the quantity indicate "optional".

9. **Part Number** - Part number corresponds to the reference number and application. Several part numbers may be listed under one (1) reference number.

Note: For U.S. only - For your convenience the current supersede chain, as of print date, has been listed. Supersede chains are subject to change without notice.

10. **H/C** - The Honda Code and Part Number share a 1 to 1 relationship (U.S.A. only).

11. The Block Number identifies the catalog/catalogue section.

### CONSTRUCTION OF PART NUMBERS

All parts are classified into two groups, "GENERAL PARTS" and "STANDARD PARTS". All parts are numbered according to the system described below:

#### General Parts

Example: Driver Seat Assembly Part No. 77400-634-671ZA  
 Function No. 77  
 Component No. 400  
 Model Code No. -634-  
 Modification Process Design 671  
 Color/colour Indicator\*\* ZA

#### Standard Parts

Example: 8 x 18 Hex. bolt Part No. 92000-08018-0A  
 Function No. 92000  
 Dimensions -08018-  
 ISO Standard Designation 0  
 Chemical Surface Treatment A

\*\*The color/colour indicator at the end of a part number signifies a color/colour. These color/colour indicators such as ZA, ZB, ZC . . . , except ZZ, do not identify the actual color/colour. Actual colors/colours are identified by a code that appears between asterisks in the part description.

Additional Information - The section index located at the bottom of each microfiche grid lists section titles. The Engine and Frame sections have separate section indexes.

Some Block Titles are numbered, such as Air Cleaner (1), Air Cleaner (3), Muffler (2) or Muffler (4), etc. These may skip numbers when some blocks apply in other volumes of the same model(s).

\*When columns become full, additional data is displayed on a second line.

**This page intentionally left blank.**

# SERIAL NUMBERS

## Models and applicable serial numbers

Models and applicable serial numbers given in this parts catalog can be identified as follows.

| Model   | Type | Applicable Engine Serial No. | Applicable Frame Serial No. | Applicable Carburetor Identification |
|---------|------|------------------------------|-----------------------------|--------------------------------------|
| GCV160A | S1M  | GJAEA-1000001~               | —                           | BB65E A                              |

# BULK HOSE PART NUMBER PATTERN

## Construction of Fuel and Vacuum Hose Part Number

Example: 9 5 0 0 1 - 7 5 0 0 1 - 4 0 M

Roll Hose

All roll hose part numbers have an "M" in this position

Appearance Code

**Fuel Hose:**

- 2 = Red, braided exterior
- 3 = Red
- 4 = Ash Gray with red stripe
- 5 = Black, braided interior
- 6 = Black

**Vinyl Hose:**

- 1 = Ash Gray
- 2 = Black
- 3 = Light Red
- 6 = Light Red
- 7 = Pale Black

**Vacuum Hose:**

- 1 = Ash Gray
- 2 = Ash Gray
- 3 = Black
- 5 = Black

Length

Cut Hose length is in *Millimeters (mm)*

Bulk Hose length is in *Meters (M)*

Inside Diameter

Fuel and Vacuum Hose

- |                       |                              |
|-----------------------|------------------------------|
| 35 = 3.5 mm           | 11 = 11 mm                   |
| 45 = 4.5 mm           | 91 = 12 (outside dia. 15) mm |
| 50 = 5.0 mm           | 92 = 12 (outside dia. 16) mm |
| 55 = 5.3 mm or 5.5 mm | 12 = 12 (outside dia. 17) mm |
| 65 = 6.5 mm           | 14 = 14 mm                   |
| 70 = 7.0 mm           | 17 = 17 mm                   |
| 75 = 7.3 mm or 7.5 mm |                              |
| 80 = 8.0 mm           |                              |

ID./OD. Code : Vinyl Hose

- |                          |                            |                            |
|--------------------------|----------------------------|----------------------------|
| 01 = ID. 2.9, OD. 6.8 mm | 14 = ID. 6.0, OD. 9.0 mm   | 37 = ID. 11.0, OD. 15.0 mm |
| 03 = ID. 3.0, OD. 6.0 mm | 17 = ID. 7.0, OD. 9.0 mm   | 38 = ID. 12.0, OD. 13.0 mm |
| 05 = ID. 3.5, OD. 6.5 mm | 19 = ID. 7.0, OD. 11.0 mm  | 39 = ID. 12.0, OD. 14.0 mm |
| 07 = ID. 4.0, OD. 7.0 mm | 21 = ID. 8.0, OD. 9.0 mm   | 40 = ID. 12.0, OD. 16.0 mm |
| 08 = ID. 4.5, OD. 6.5 mm | 23 = ID. 8.0, OD. 12.0 mm  | 43 = ID. 13.0, OD. 15.0 mm |
| 09 = ID. 4.5, OD. 8.0 mm | 25 = ID. 9.0, OD. 11.0 mm  | 45 = ID. 14.0, OD. 18.0 mm |
| 12 = ID. 5.0, OD. 7.0 mm | 27 = ID. 9.0, OD. 13.0 mm  | 50 = ID. 16.0, OD. 19.0 mm |
| 10 = ID. 5.0, OD. 8.0 mm | 33 = ID. 10.0, OD. 14.0 mm | 55 = ID. 17.5, OD. 20.5 mm |
| 11 = ID. 5.0, OD. 9.0 mm | 36 = ID. 11.0, OD. 13.0 mm | 60 = ID. 22.0, OD. 27.0 mm |

Hose Type:

- 1 = Fuel Hose
- 3 = Vinyl Hose
- 5 = Vacuum Hose

**CAUTION: Never use vacuum / or vinyl hose in place of fuel hose or vice versa**

# MASTER INDEX

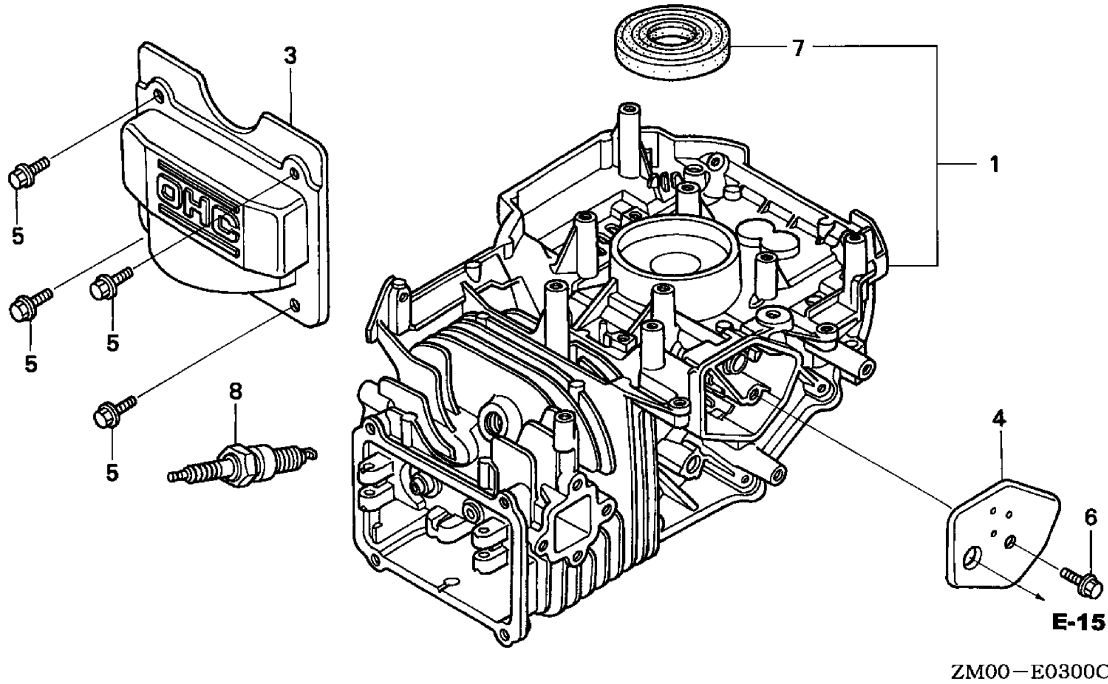
| Title                        | Grid | Page | Title | Grid | Page |
|------------------------------|------|------|-------|------|------|
| <b>ENGINE SECTION</b>        |      |      |       |      |      |
| CYLINDER .....               | 1-C1 | 1-2  |       |      |      |
| OIL PAN .....                | 1-C1 | 1-3  |       |      |      |
| CRANKSHAFT .....             | 1-C2 | 1-5  |       |      |      |
| PISTON • CONNECTING ROD..... | 1-C3 | 1-6  |       |      |      |
| CAMSHAFT PULLEY .....        | 1-C3 | 1-7  |       |      |      |
| RECOIL STARTER .....         | 1-C4 | 1-8  |       |      |      |
| FAN COVER .....              | 1-C4 | 1-9  |       |      |      |
| CARBURETOR .....             | 1-C5 | 1-10 |       |      |      |
| AIR CLEANER .....            | 1-C6 | 1-12 |       |      |      |
| MUFFLER .....                | 1-C6 | 1-13 |       |      |      |
| FLYWHEEL (1) .....           | 1-C7 | 1-14 |       |      |      |
| CONTROL (3) .....            | 1-C7 | 1-15 |       |      |      |
| LABELS.....                  | 1-C8 | 1-16 |       |      |      |



**ENGINE SECTION**  
**Chapter Table of Contents**

| <b>Page Title</b>             | <b>Grid</b> | <b>Page</b> |
|-------------------------------|-------------|-------------|
| CYLINDER .....                | 1-C1        | 1-2         |
| OIL PAN .....                 | 1-C1        | 1-3         |
| CRANKSHAFT .....              | 1-C2        | 1-5         |
| PISTON • CONNECTING ROD ..... | 1-C3        | 1-6         |
| CAMSHAFT PULLEY .....         | 1-C3        | 1-7         |
| RECOIL STARTER .....          | 1-C4        | 1-8         |
| FAN COVER .....               | 1-C4        | 1-9         |
| CARBURETOR .....              | 1-C5        | 1-10        |
| AIR CLEANER .....             | 1-C6        | 1-12        |
| MUFFLER .....                 | 1-C6        | 1-13        |
| FLYWHEEL (1) .....            | 1-C7        | 1-14        |
| CONTROL (3) .....             | 1-C7        | 1-15        |
| LABELS .....                  | 1-C8        | 1-16        |

# CYLINDER



ZM00E0300C

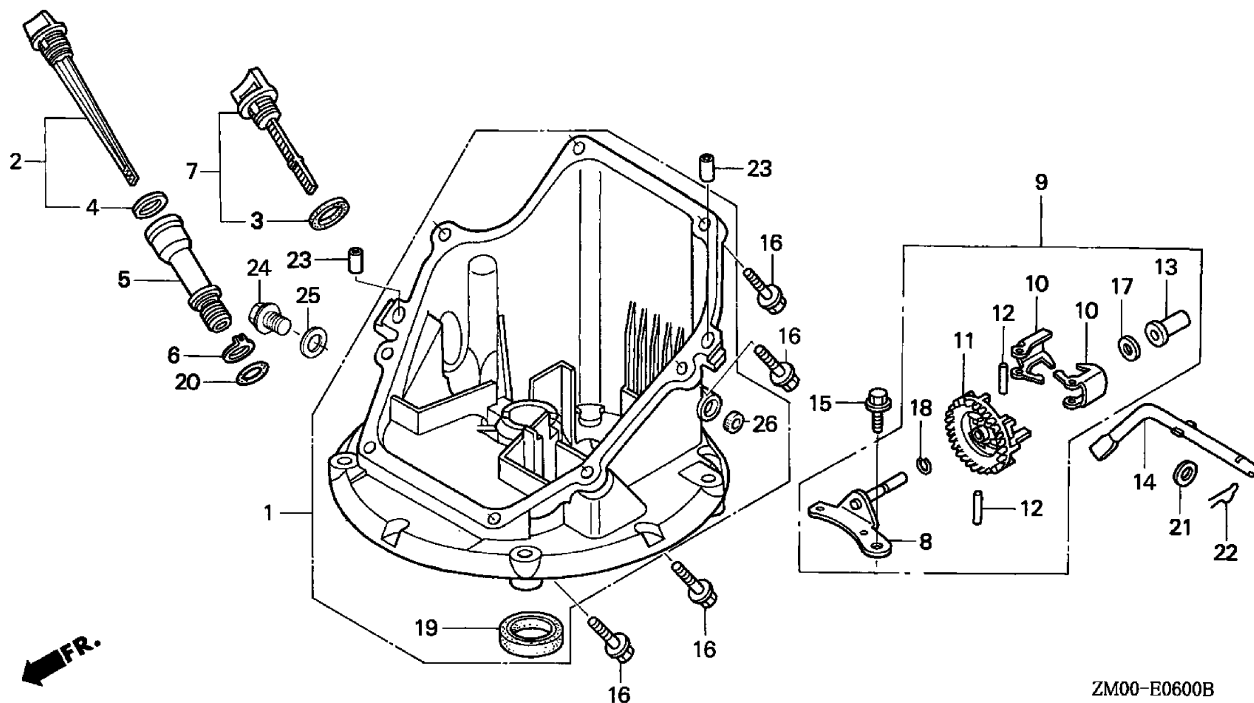
**MODEL**  
A =GCV160A

**TYPE**  
a =S1M

E-3

| Ref | Description                                     | Engine Serial Number |       | QTY | Part Number   | H/C     |
|-----|---|----------------------|-------|-----|---------------|---------|
|     |   | From                 | To    |     |               |         |
| 1   | CYLINDER ASSY. ....                             | -----                | ----- | 1   | 12000-Z0L-406 | 8018277 |
| 3   | COVER, HEAD .....                               | -----                | ----- | 1   | 12311-ZL8-D00 | 6325211 |
|     | COVER, HEAD .....                               | -----                | ----- | 1   | 12311-ZL8-000 | 5579990 |
| 4   | COVER, BREATHER<br>(BREATHER VALVE ASSY.) ..... | -----                | ----- | 1   | 12355-ZL8-000 | 5580006 |
| 5   | BOLT, FLANGE (6X12) (CT200) .....               | -----                | ----- | 4   | 90013-883-000 | 0636845 |
| 6   | BOLT, FLANGE (6X14) .....                       | -----                | ----- | 1   | 90014-952-000 | 0803619 |
| 7   | OIL SEAL (25.4X62X6).....                       | -----                | ----- | 1   | 91201-ZL8-003 | 5581038 |
| 8   | SPARK PLUG (BPR6ES) (NGK) .....                 | -----                | ----- | 1   | 98079-56846   | 1441112 |

# OIL PAN



ZM00-B0600B

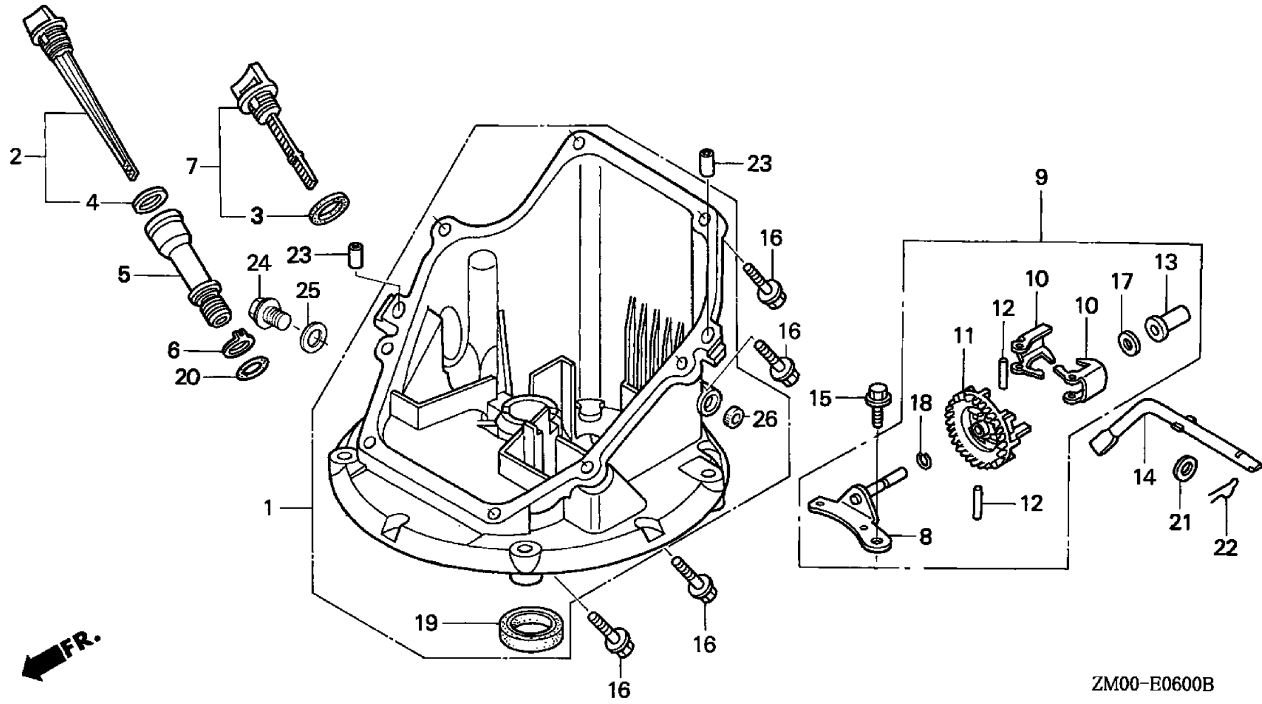
ZM00E0600B

**MODEL**      **TYPE**  
 A =GCV160A      a =S1M

E-6

| Ref | Description                   | Engine Serial Number |       | QTY | Part Number   | H/C     |
|-----|-------------------------------|----------------------|-------|-----|---------------|---------|
|     |                               | From                 | To    |     |               |         |
| 1   | PAN ASSY., OIL (000) .....    | -----                | ----- | 1   | 11300-ZM0-405 | 6315675 |
|     | PAN ASSY., OIL .....          | -----                | ----- | 1   | 11300-ZM0-811 | 6771489 |
| 2   | DIPSTICK, OIL .....           | -----                | ----- | 1   | 15650-ZM0-801 | 5716915 |
| 4   | GASKET, OIL FILLER CAP .....  | -----                | ----- | 1   | 15625-ZE6-000 | 1452754 |
| 5   | EXTENSION, OIL FILLER .....   | -----                | ----- | 1   | 15631-ZM0-000 | 5664503 |
| 6   | WASHER, EXTENSION LOCK .....  | -----                | ----- | 1   | 15639-ZM0-000 | 5664511 |
| 8   | SHAFT, GOVERNOR HOLDER .....  | -----                | ----- | 1   | 16508-ZM0-010 | 6384341 |
| 9   | GOVERNOR ASSY. ....           | -----                | ----- | 1   | 16510-ZM0-010 | 6384333 |
| 10  | WEIGHT, GOVERNOR .....        | -----                | ----- | 2   | 16511-ZL8-000 | 5580287 |
| 11  | HOLDER, GOVERNOR WEIGHT ..... | -----                | ----- | 1   | 16512-ZM0-000 | 5580295 |
| 12  | PIN, GOVERNOR WEIGHT .....    | -----                | ----- | 2   | 16513-ZE1-000 | 1427244 |
| 13  | SLIDER, GOVERNOR .....        | -----                | ----- | 1   | 16531-ZE1-000 | 1427251 |
| 14  | SHAFT, GOVERNOR ARM .....     | -----                | ----- | 1   | 16541-ZM0-000 | 5580303 |
| 15  | BOLT, FLANGE (6X14) .....     | -----                | ----- | 1   | 90014-952-000 | 0803619 |
| 16  | BOLT, FLANGE (6X25) .....     | -----                | ----- | 8   | 90121-952-000 | 0748111 |
| 17  | WASHER, THRUST (6MM) .....    | -----                | ----- | 1   | 90451-ZE1-000 | 2413862 |
| 18  | CLIP, GOVERNOR HOLDER .....   | -----                | ----- | 1   | 90602-ZE1-000 | 2456697 |
| 19  | OIL SEAL (28X41.25X6) .....   | -----                | ----- | 1   | 91202-ZL8-003 | 5581046 |

# OIL PAN



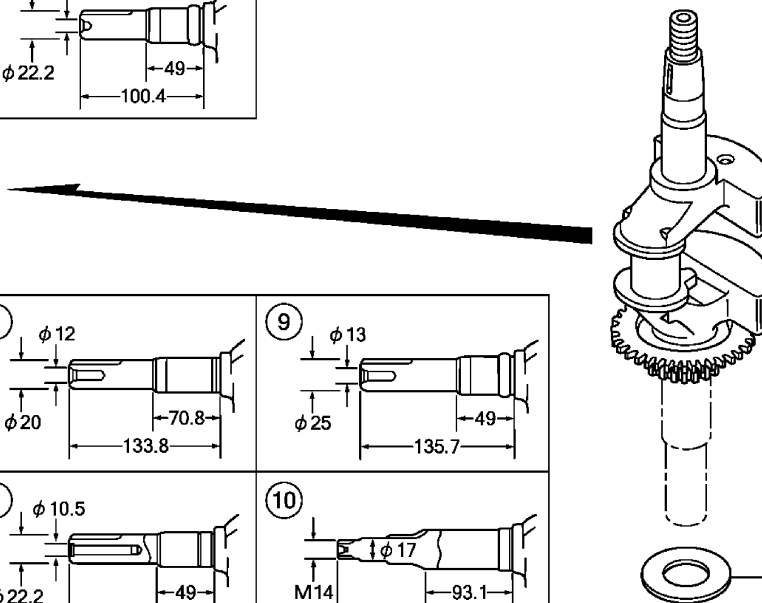
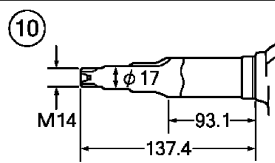
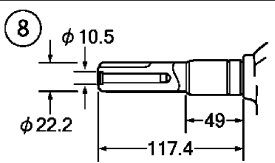
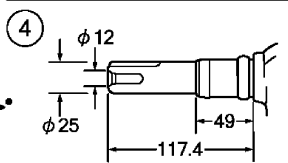
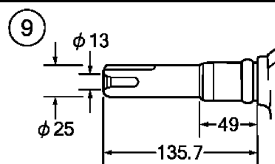
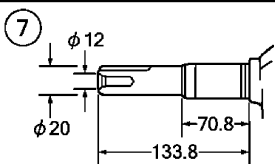
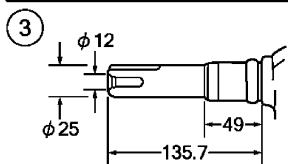
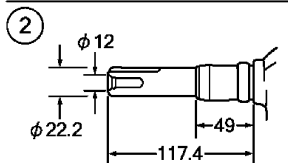
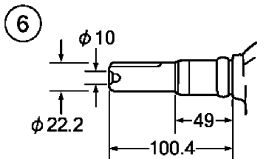
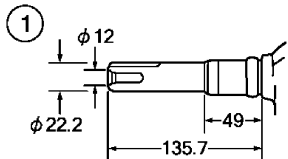
**MODEL**  
A =GCV160A

**TYPE**  
a =S1M

E-6

| Ref | Description                   | Engine Serial Number |       | QTY | Part Number   | H/C     |
|-----|-------------------------------|----------------------|-------|-----|---------------|---------|
|     |                               | From                 | To    |     |               |         |
| 20  | O-RING (14.8X2.4) (NOK) ..... | -----                | ----- | 1   | 91356-MA6-005 | 1377704 |
| 21  | WASHER, PLAIN (6MM) .....     | -----                | ----- | 1   | 94101-06800   | 0345900 |
| 22  | PIN, LOCK (8MM).....          | -----                | ----- | 1   | 94251-08000   | 0115527 |
| 23  | PIN, DOWEL (8X20).....        | -----                | ----- | 2   | 94301-08200   | 1417369 |

# CRANKSHAFT



ZM00E0700F

ZM00E0700F

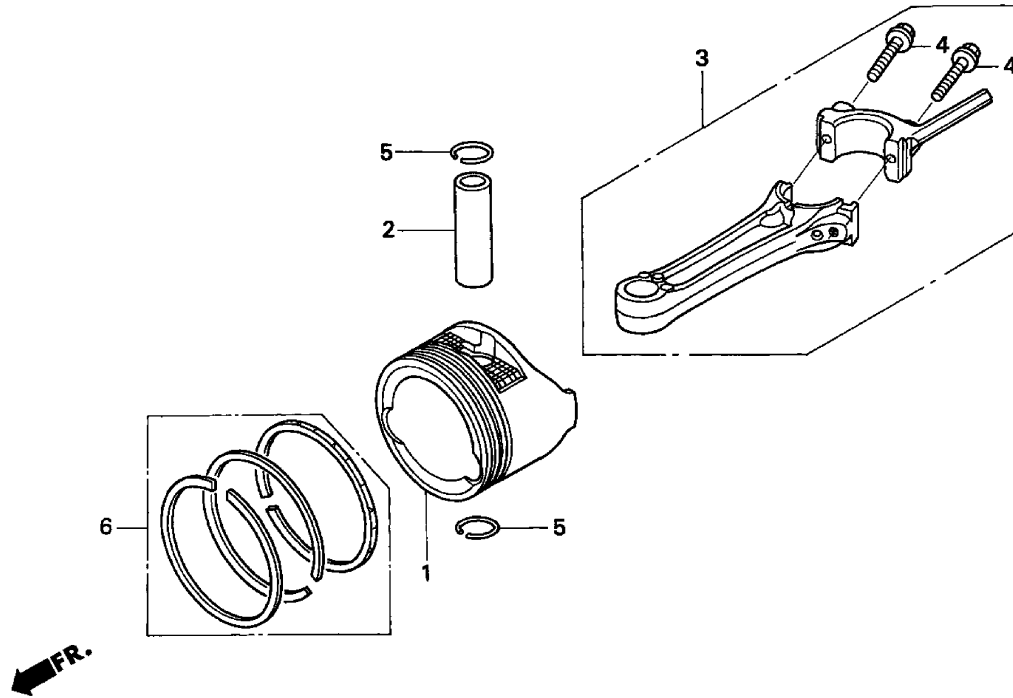
**MODEL**  
A = GCV160A

**TYPE**  
a = S1M

E-7

| Ref | Description               | Engine Serial Number |       | QTY | Part Number   | H/C     |
|-----|---------------------------|----------------------|-------|-----|---------------|---------|
|     |                           | From                 | To    |     |               |         |
| 1   | CRANKSHAFT (N1-TYPE)..... | -----                | ----- | 1   | 13310-ZM0-000 | 5580030 |
| 5   | WASHER, THRUST .....      | -----                | ----- | 1   | 90402-ZL8-000 | 5581012 |

# PISTON • CONNECTING ROD



ZM00-E0800A

ZM00E0800A

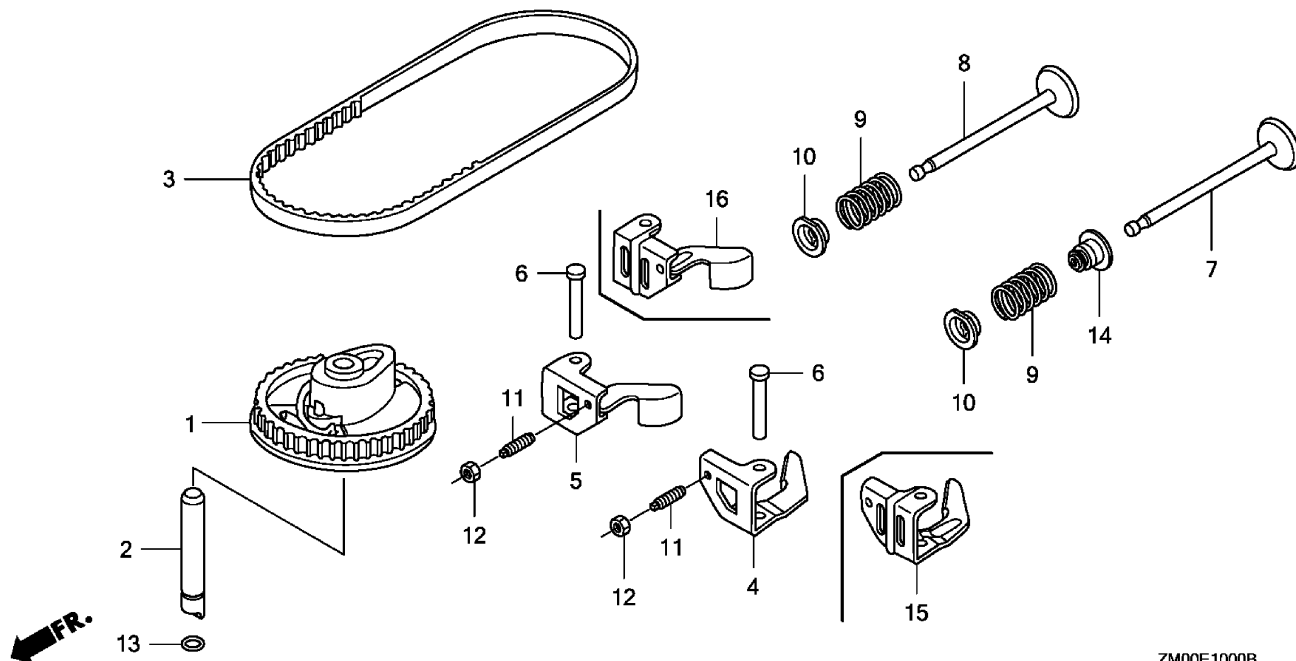
**MODEL**  
A =GCV160A

**TYPE**  
a =S1M

E-8

| Ref | Description                      | Engine Serial Number |       | QTY | Part Number   | H/C     |
|-----|----------------------------------|----------------------|-------|-----|---------------|---------|
|     |                                  | From                 | To    |     |               |         |
| 1   | PISTON .....                     | -----                | ----- | 1   | 13101-Z2A-000 | 7595705 |
| 2   | PIN, PISTON .....                | -----                | ----- | 1   | 13111-ZE0-000 | 1426576 |
| 3   | ROD ASSY., CONNECTING .....      | -----                | ----- | 1   | 13200-Z0J-000 | 8270217 |
| 4   | BOLT, CONNECTING ROD .....       | -----                | ----- | 2   | 90001-ZE1-000 | 1431055 |
| 5   | CLIP, PISTON PIN (13MM) .....    | -----                | ----- | 2   | 90551-ZE0-000 | 2605517 |
| 6   | RING SET, PISTON (RIKEN) .....   | -----                | ----- | 1   | 13010-Z0L-003 | 8018327 |
|     | RING SET, PISTON (TEIKOKU) ..... | -----                | ----- | 1   | 13010-Z0L-004 | 8018335 |

# CAMSHAFT PULLEY



ZM00E1000B

ZM00E1000B

**MODEL**  
A =GCV160A

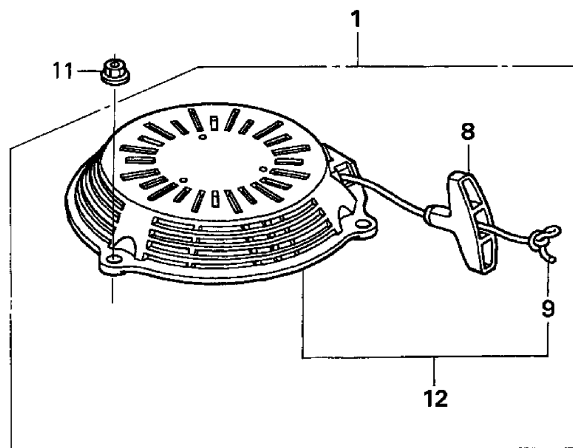
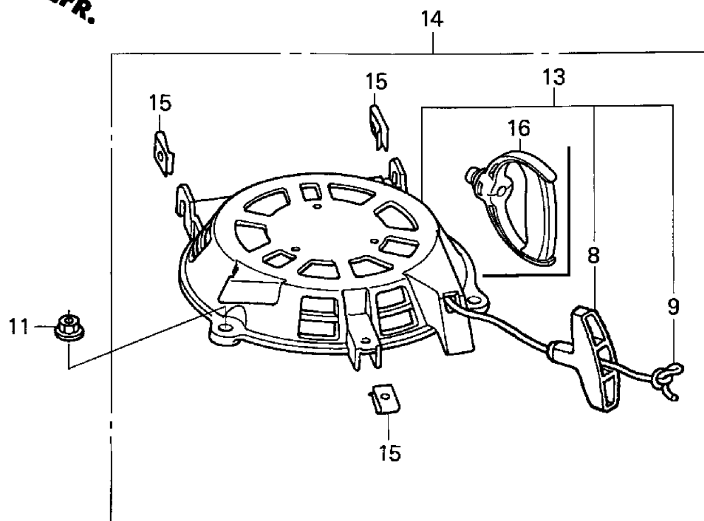
**TYPE**  
a =S1M

E-10

| Ref | Description                     | Engine Serial Number |       | QTY | Part Number   | H/C     |
|-----|---------------------------------|----------------------|-------|-----|---------------|---------|
|     |                                 | From                 | To    |     |               |         |
| 1   | PULLEY, CAMSHAFT .....          | -----                | ----- | 1   | 14320-ZL8-010 | 7049679 |
| 2   | SHAFT, CAM PULLEY .....         | -----                | ----- | 1   | 14324-ZL8-000 | 5580063 |
| 3   | BELT, TIMING (84HU7 G-200)..... | -----                | ----- | 1   | 14400-Z0J-014 | 7058985 |
| 6   | SHAFT, ROCKER ARM .....         | -----                | ----- | 2   | 14461-ZL8-000 | 5580105 |
| 7   | VALVE, IN. ....                 | -----                | ----- | 1   | 14711-Z0J-000 | 7647118 |
| 8   | VALVE, EX. ....                 | -----                | ----- | 1   | 14721-ZL8-000 | 5580121 |
| 9   | SPRING, VALVE .....             | -----                | ----- | 2   | 14751-ZL8-000 | 5580139 |
| 10  | RETAINER, VALVE SPRING .....    | -----                | ----- | 2   | 14771-Z0J-000 | 7526148 |
| 11  | SCREW, TAPPET ADJ. ....         | -----                | ----- | 2   | 90012-333-000 | 0294819 |
| 12  | NUT, TAPPET ADJ. ....           | -----                | ----- | 2   | 90206-001-000 | 0004598 |
| 13  | O-RING (6.8X1.9).....           | -----                | ----- | 1   | 91301-ZM0-V31 | 6315873 |
| 14  | SEAL, VALVE STEM .....          | -----                | ----- | 1   | 12209-ZM0-003 | 6839831 |
| 15  | ARM, IN. VALVE ROCKER .....     | -----                | ----- | 1   | 14431-Z0J-000 | 7526122 |
| 16  | ARM, EX. VALVE ROCKER.....      | -----                | ----- | 1   | 14441-Z0J-000 | 7526130 |

# RECOIL STARTER

**FR.** ←



ZM00-E1100E

ZM00E1100E

**MODEL**  
A =GCV160A

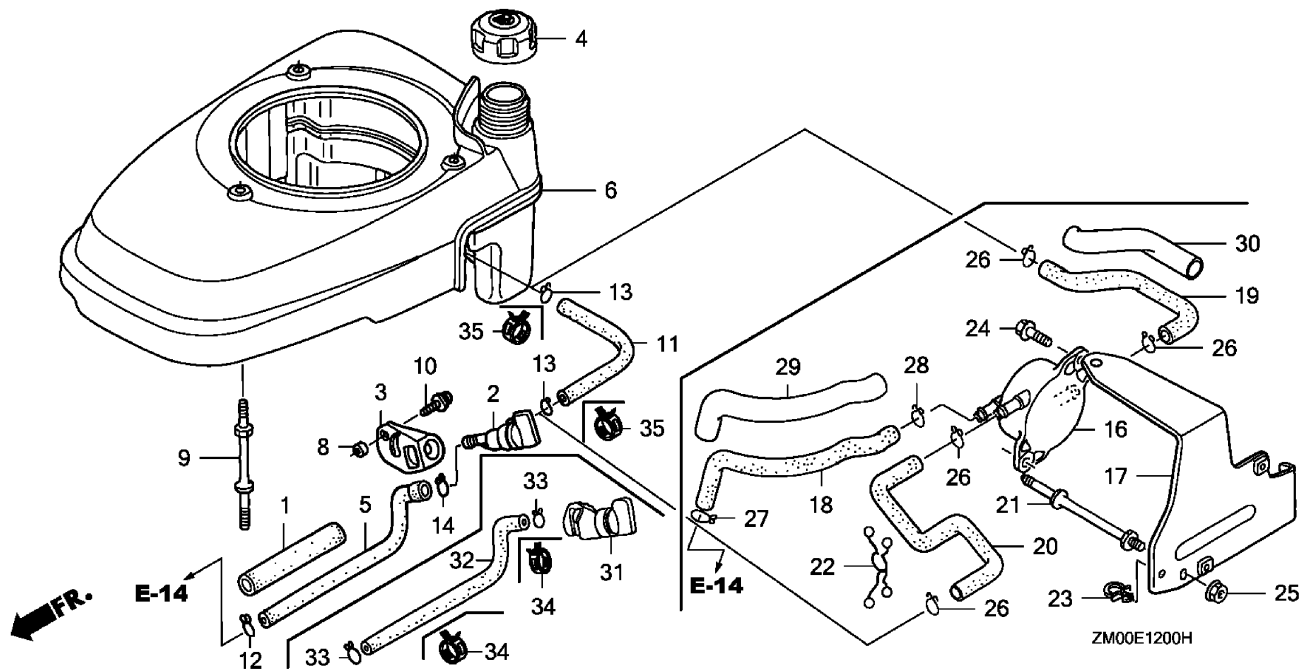
**TYPE**  
a =S1M

E-11

| Ref | Description   | Engine Serial Number |       | QTY | Part Number     | H/C     |
|-----|---|----------------------|-------|-----|-----------------|---------|
|     |   | From                 | To    |     |                 |         |
| 1   | STARTER ASSY., RECOIL *NH1* (LONG ROPE) (BLACK) ..... | -----                | ----- | 1   | 28400-ZM0-633ZA | 7839210 |
| 8   | KNOB, RECOIL STARTER .....                            | -----                | ----- | 1   | 28461-ZL8-003   | 5580634 |
| 9   | ROPE, RECOIL STARTER (#3.5X90") .....                 | -----                | ----- | 1   | 28462-ZL8-631   | 5580642 |
| 11  | NUT, FLANGE (6MM).....                                | -----                | ----- | 3   | 90201-ZM0-000   | 6478812 |



# FAN COVER



ZM00E1200H

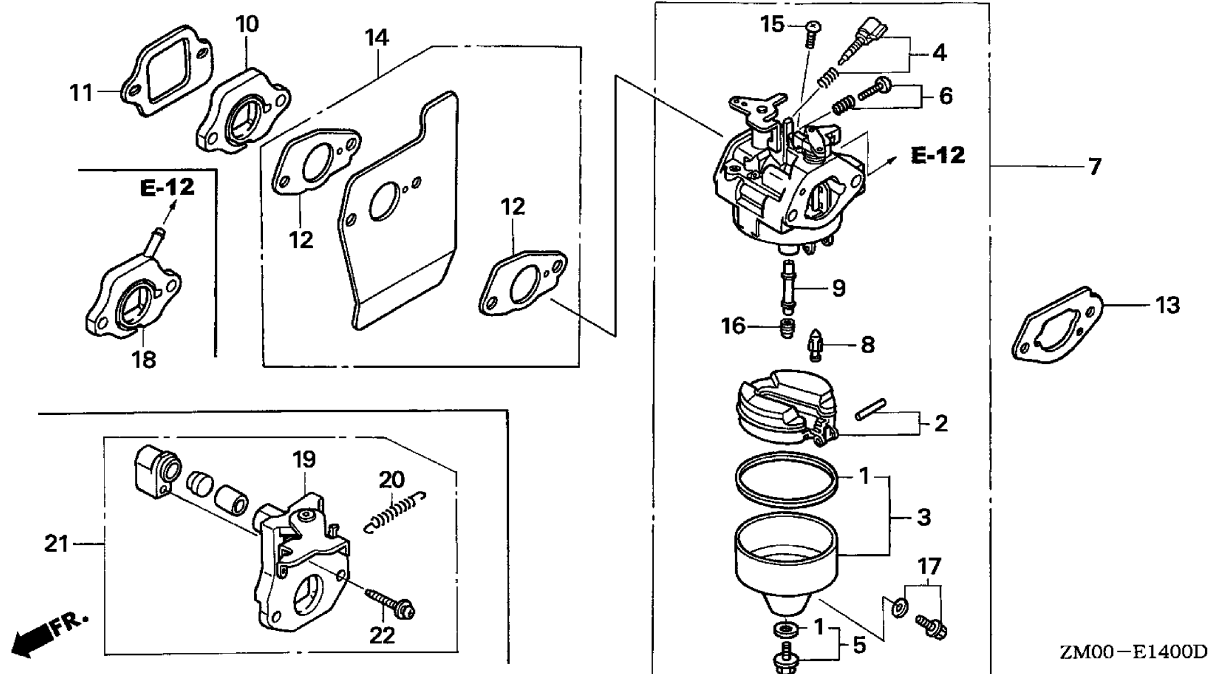
**MODEL**  
A =GCV160A

**TYPE**  
a =S1M

E-12

| Ref | Description                         | Engine Serial Number |       | QTY | Part Number     | H/C     |
|-----|-------------------------------------|----------------------|-------|-----|-----------------|---------|
|     |                                     | From                 | To    |     |                 |         |
| 1   | RUBBER, SUPPORTER (107MM) .....     | -----                | ----- | 1   | 16854-ZH8-000   | 3683646 |
| 4   | CAP ASSY., FUEL TANK .....          | -----                | ----- | 1   | 17620-ZL8-013   | 6673289 |
| 6   | COVER, FAN *R280* (POWER RED) ..... | -----                | ----- | 1   | 19610-Z0L-000ZD | 7299852 |
| 8   | COLLAR, FUEL PETCOCK .....          | -----                | ----- | 1   | 91501-Z0L-800   | 6978399 |
| 9   | BOLT, STUD .....                    | -----                | ----- | 3   | 90043-ZL8-000   | 5581004 |
| 10  | SCREW-WASHER (5X10) .....           | -----                | ----- | 1   | 93891-05010-08  | 0671636 |
| 11  | TUBE, FUEL (5.3X150) (FKM) .....    | -----                | ----- | 1   | 91425-Z0L-801   | 8294753 |
| 31  | PETCOCK ASSY. ....                  | -----                | ----- | 1   | 16950-ZM0-003   | 7425770 |
| 32  | TUBE, FUEL (FKM) .....              | -----                | ----- | 1   | 17702-Z0L-801   | 8294662 |
| 34  | CLIP, TUBE (D8) .....               | -----                | ----- | 2   | 95002-40800-08  | 0660811 |
| 35  | CLIP, TUBE (D10) .....              | -----                | ----- | 2   | 95002-41000-08  | 0660829 |

# CARBURETOR



ZM00E1400D

**MODEL**  
A =GCV160A

**TYPE**  
a =S1M

E-14

| Ref | Description                                 | Engine Serial Number |       | QTY | Part Number    | H/C     |
|-----|---|----------------------|-------|-----|----------------|---------|
|     |   | From                 | To    |     |                |         |
| 1   | GASKET SET .....                            | -----                | ----- | 1   | 16010-883-015  | 3088416 |
| 2   | FLOAT SET .....                             | -----                | ----- | 1   | 16013-ZL1-003  | 5580162 |
| 3   | CHAMBER SET, FLOAT<br>(CARBURETOR NO.)..... | -----                | ----- | 1   | 16015-887-782  | 3465879 |
| 5   | SCREW SET B.....                            | -----                | ----- | 1   | 16028-ZE0-005  | 1441518 |
| 7   | CARBURETOR ASSY. (BB65E A).....             | -----                | ----- | 1   | 16100-Z0L-871  | 8311276 |
| 8   | VALVE, FLOAT<br>(CARBURETOR NO.).....       | -----                | ----- | 1   | 16155-ZM0-013  | 7934714 |
| 9   | NOZZLE, MAIN.....                           | -----                | ----- | 1   | 16166-Z0L-841  | 8018384 |
| 11  | GASKET, INSULATOR.....                      | -----                | ----- | 1   | 16212-ZL8-000  | 5580246 |
| 12  | GASKET, CARBURETOR .....                    | -----                | ----- | 2   | 16221-883-800  | 4581120 |
| 13  | GASKET, CARBURETOR (CHOKE SIDE)             | -----                | ----- | 1   | 16228-Z0L-840  | 8018418 |
| 14  | GUIDE, AIR .....                            | -----                | ----- | 1   | 19650-ZM0-000  | 5580535 |
| 15  | SCREW, PAN (5X6).....                       | -----                | ----- | 1   | 93500-05006-0H | 0639419 |
| 16  | JET, MAIN (#65).....                        | -----                | ----- | (1) | 99101-124-0650 | 0636126 |
|     | JET, MAIN (#68).....                        | -----                | ----- | (1) | 99101-124-0680 | 0636134 |
|     | JET, MAIN (#70).....                        | -----                | ----- | 1   | 99101-124-0700 | 0636142 |
| 17  | SCREW SET, DRAIN<br>(CARBURETOR NO.).....   | -----                | ----- | 1   | 16024-ZE1-811  | 1672187 |

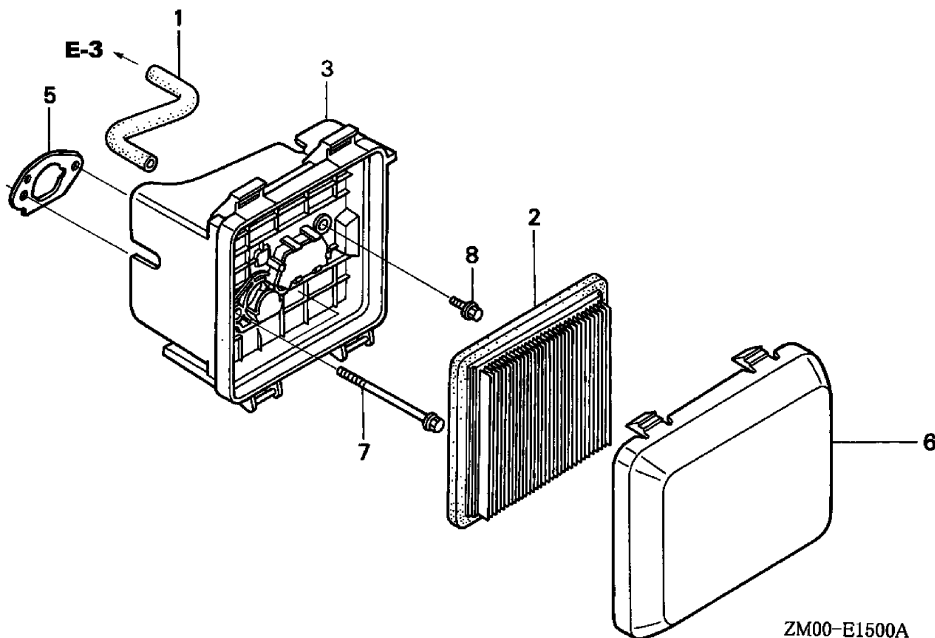
# CARBURETOR

**MODEL**            **TYPE**  
 A =GCV160A        a =S1M

E-14

| Ref | Description                      | Engine<br>Serial Number |       | QTY | Part Number    | H/C     |
|-----|----------------------------------|-------------------------|-------|-----|----------------|---------|
|     |                                  | From                    | To    |     |                |         |
| 19  | INSULATOR .....                  | -----                   | ----- | 1   | 16210-Z0L-840  | 8018400 |
| 20  | SPRING, CHOKE LEVER RETURN ..... | -----                   | ----- | 1   | 16268-Z0L-840  | 8018426 |
| 21  | CONTROL ASSY., CHOKE .....       | -----                   | ----- | 1   | 16600-Z0L-840  | 7809916 |
| 22  | SCREW-WASHER (4X35) .....        | -----                   | ----- | 1   | 93891-04035-00 | 8019051 |

# AIR CLEANER



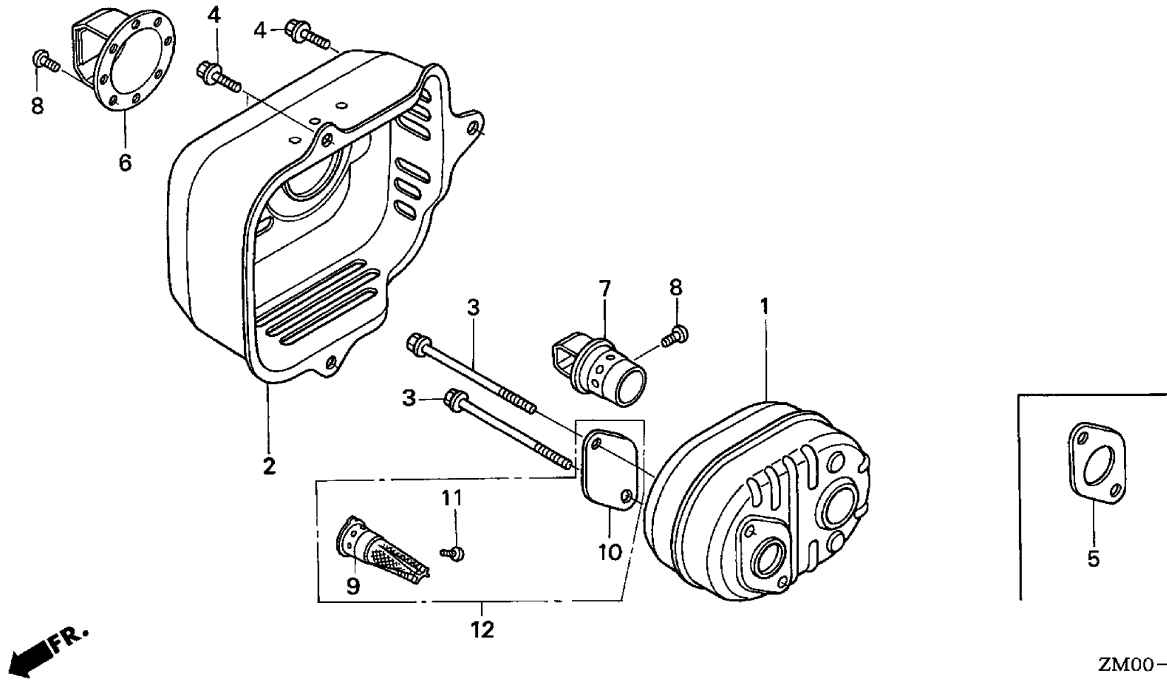
ZM00E1500A

**MODEL**            **TYPE**  
 A =GCV160A        a =S1M

E-15

| Ref | Description                       | Engine Serial Number |       | QTY | Part Number    | H/C     |
|-----|-----------------------------------|----------------------|-------|-----|----------------|---------|
|     |                                   | From                 | To    |     |                |         |
| 1   | TUBE, BREATHER.....               | -----                | ----- | 1   | 15721-ZM0-000  | 5580154 |
| 2   | ELEMENT, AIR CLEANER.....         | -----                | ----- | 1   | 17211-ZL8-023  | 8236440 |
| 3   | CASE ASSY., AIR CLEANER .....     | -----                | ----- | 1   | 17220-ZM0-000  | 5580410 |
| 5   | GASKET, AIR CLEANER.....          | -----                | ----- | 1   | 17228-ZM0-000  | 5664560 |
| 6   | COVER, AIR CLEANER.....           | -----                | ----- | 1   | 17231-Z0L-030  | 7745011 |
| 7   | BOLT, FLANGE (6X86) (CT200) ..... | -----                | ----- | 2   | 90003-ZM0-000  | 5580964 |
| 8   | BOLT, FLANGE (6X14) .....         | -----                | ----- | 1   | 95701-06014-08 | 2374742 |

# MUFFLER



ZM00-E1600F

ZM00E1600F

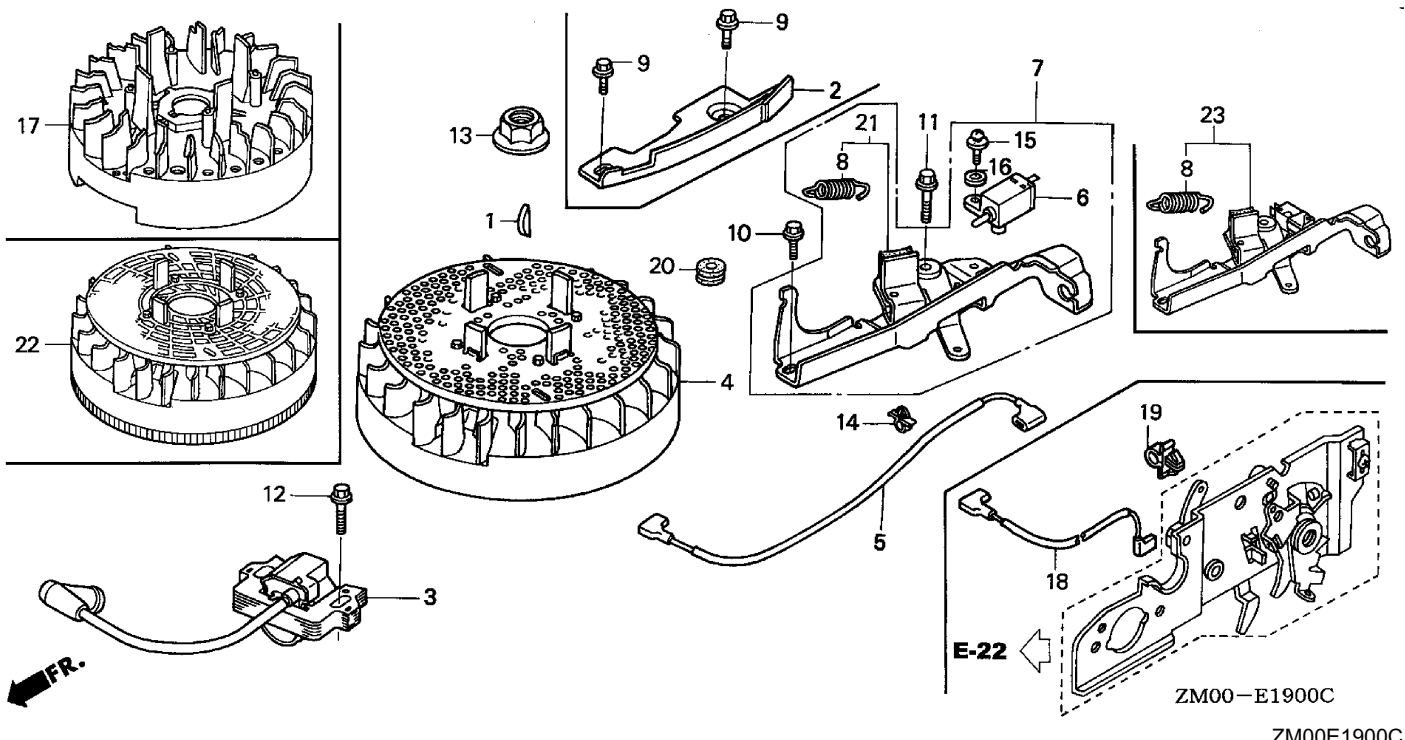
**MODEL**  
A =GCV160A

**TYPE**  
a =S1M

E-16

| Ref | Description                       | Engine Serial Number |       | QTY | Part Number   | H/C     |
|-----|-----------------------------------|----------------------|-------|-----|---------------|---------|
|     |                                   | From                 | To    |     |               |         |
| 1   | MUFFLER.....                      | -----                | ----- | 1   | 18310-ZM0-000 | 5580485 |
| 2   | PROTECTOR, MUFFLER (CBU).....     | -----                | ----- | 1   | 18321-Z0L-J00 | 7377062 |
| 3   | BOLT, FLANGE (6X79) (CT200) ..... | -----                | ----- | 2   | 90004-ZL8-000 | 5580972 |
| 4   | BOLT, FLANGE (6X12) (CT200) ..... | -----                | ----- | 3   | 90013-883-000 | 0636845 |
| 5   | GASKET, MUFFLER .....             | -----                | ----- | (1) | 18381-ZL8-305 | 5737457 |
| 9   | ARRESTER, SPARK .....             | -----                | ----- | (1) | 18350-ZL8-000 | 5656012 |
| 10  | PLATE, ARRESTER NUMBER .....      | -----                | ----- | (1) | 18356-ZL8-000 | 5611397 |
| 11  | SCREW, TAPPING (4X6).....         | -----                | ----- | (1) | 90055-ZE1-000 | 1431121 |
| 12  | ARRESTER KIT, SPARK .....         | -----                | ----- | (1) | 06180-Z0J-000 | 8213597 |

# FLYWHEEL (1)



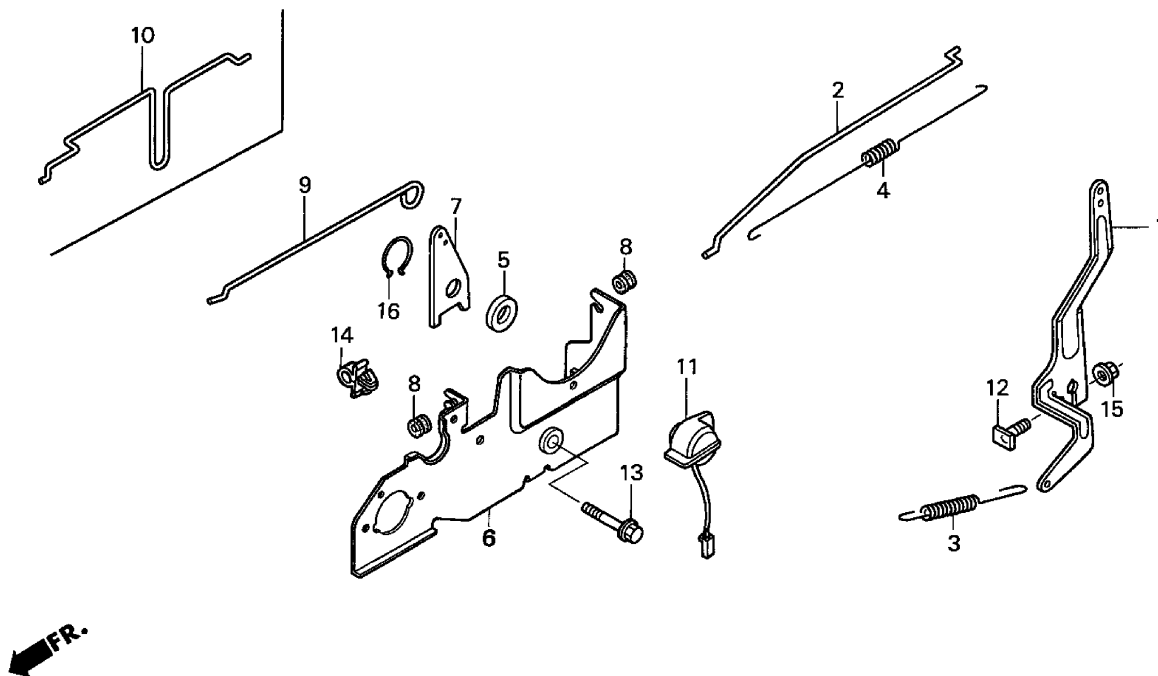
**MODEL**  
A =GCV160A

**TYPE**  
a =S1M

E-19

| Ref | Description                           | Engine Serial Number |       | QTY | Part Number    | H/C     |
|-----|---------------------------------------|----------------------|-------|-----|----------------|---------|
|     |                                       | From                 | To    |     |                |         |
| 1   | KEY, SPECIAL WOODRUFF (25X18) .....   | -----                | ----- | 1   | 13331-357-000  | 0348433 |
| 3   | COIL ASSY., IGNITION .....            | -----                | ----- | 1   | 30500-ZL8-004  | 5580659 |
| 4   | FLYWHEEL ASSY. ....                   | -----                | ----- | 1   | 31105-ZM0-000  | 5580667 |
| 5   | WIRE, STOP SWITCH .....               | -----                | ----- | 1   | 32195-Z0L-000  | 6859755 |
| 6   | SWITCH ASSY., ENGINE STOP (N.C) ..... | -----                | ----- | 1   | 35120-ZM0-003  | 5580683 |
| 7   | BRAKE ASSY. ....                      | -----                | ----- | 1   | 75100-ZM0-000  | 5580782 |
| 8   | SPRING, BRAKE LEVER.....              | -----                | ----- | 1   | 75113-ZM0-000  | 5580790 |
| 10  | BOLT, FLANGE (6X14) .....             | -----                | ----- | 1   | 90014-952-000  | 0803619 |
| 11  | BOLT, FLANGE (6X23) .....             | -----                | ----- | 1   | 90018-ZE1-000  | 1725050 |
| 12  | BOLT, FLANGE (6X20) (CT200) .....     | -----                | ----- | 1   | 90022-888-010  | 0671552 |
| 13  | NUT, SPECIAL (14MM) .....             | -----                | ----- | 1   | 90201-878-003  | 0442038 |
| 14  | HOLDER, WIRE .....                    | -----                | ----- | 1   | 51125-Z0L-003  | 7526155 |
|     | CLIP, CABLE (A) .....                 | -----                | ----- | 1   | 90681-959-003  | 1824630 |
| 15  | SCREW-WASHER (4X12) .....             | -----                | ----- | 1   | 93892-04012-00 | 0485946 |
| 16  | WASHER, PLAIN (4MM) .....             | -----                | ----- | 1   | 94103-04000    | 1510361 |

# CONTROL (3)



ZM00-E2202B

ZM00E2202B

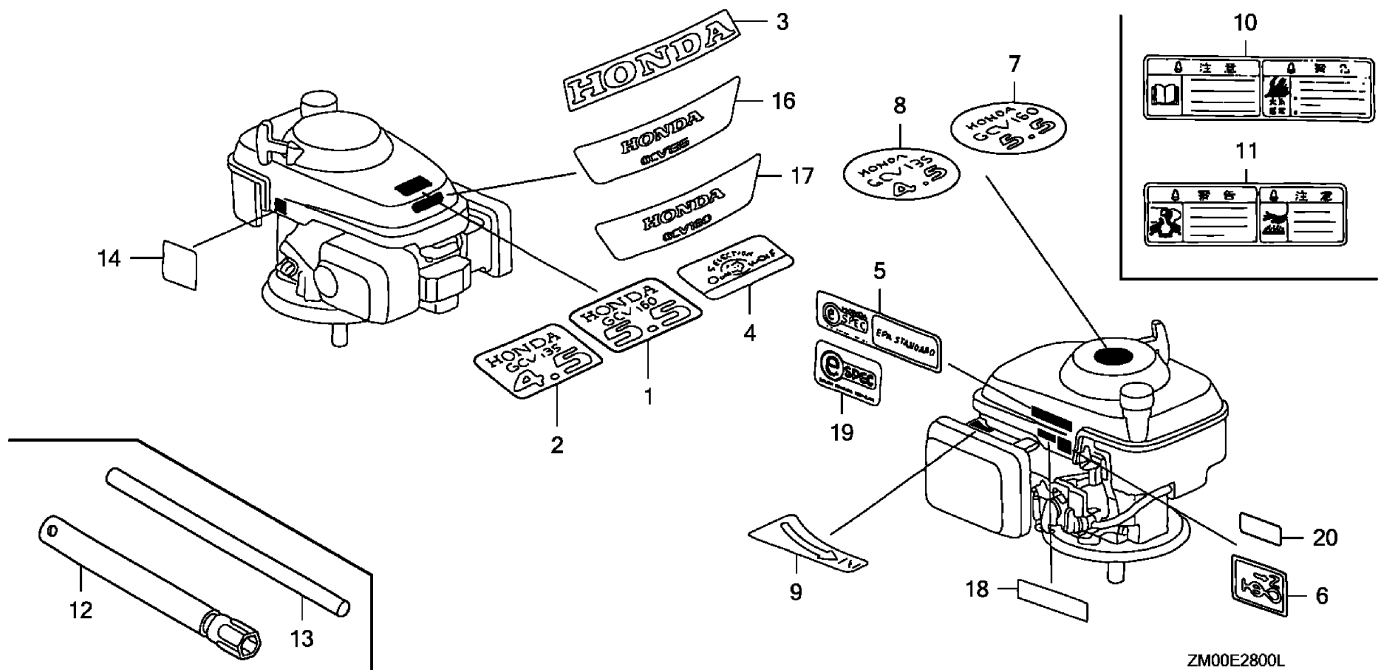
**MODEL**  
A =GCV160A

**TYPE**  
a =S1M

E-22-2

| Ref | Description                  | Engine Serial Number |       | QTY | Part Number   | H/C     |
|-----|------------------------------|----------------------|-------|-----|---------------|---------|
|     |                              | From                 | To    |     |               |         |
| 1   | ARM, GOVERNOR.....           | -----                | ----- | 1   | 16551-ZM0-010 | 6869630 |
| 2   | ROD, GOVERNOR.....           | -----                | ----- | 1   | 16555-Z0L-800 | 7229859 |
| 3   | SPRING, GOVERNOR.....        | -----                | ----- | 1   | 16561-Z0L-000 | 7544224 |
| 4   | SPRING, THROTTLE RETURN..... | -----                | ----- | 1   | 16562-ZM0-000 | 5580352 |
| 6   | BASE, CONTROL.....           | -----                | ----- | 1   | 16580-Z0L-810 | 6978415 |
| 12  | BOLT, GOVERNOR ARM .....     | -----                | ----- | 1   | 90015-ZE5-010 | 2418671 |
| 13  | BOLT, FLANGE (6X45) .....    | -----                | ----- | 1   | 90016-ZE8-000 | 2488187 |
| 15  | NUT, FLANGE (6MM).....       | -----                | ----- | 1   | 94050-06000   | 0471623 |

# LABELS



ZM00E2800L

ZM00E2800L

**MODEL**  
A =GCV160A

**TYPE**  
a =S1M

E-28

| Ref | Description                                   | Engine Serial Number |       | QTY | Part Number   | H/C     |
|-----|---|----------------------|-------|-----|---------------|---------|
|     |   | From                 | To    |     |               |         |
| 20  | LABEL, WARNING (NOT CERTIFIED FOR SALE) ..... | -----                | ----- | 1   | 87114-ZH7-821 | 8311029 |



# **Part Number Index**

# PART NUMBER INDEX

| Part Number         | Grid | Page | Part Number           | Grid | Page | Part Number          | Grid | Page |
|---------------------|------|------|-----------------------|------|------|----------------------|------|------|
| (0)                 |      |      | 16551-ZM0-010 .....   | 1-C7 | 1-15 | 90014-952-000 .....  | 1-C1 | 1-2  |
|                     |      |      | 16555-ZOL-800 .....   | 1-C7 | 1-15 |                      | 1-C1 | 1-3  |
| 06180-ZOJ-000 ..... | 1-C6 | 1-13 | 16561-ZOL-000 .....   | 1-C7 | 1-15 |                      | 1-C7 | 1-14 |
| (1)                 |      |      | 16562-ZM0-000 .....   | 1-C7 | 1-15 | 90015-ZE5-010 .....  | 1-C7 | 1-15 |
| 11300-ZM0-405 ..... | 1-C1 | 1-3  | 16580-ZOL-810 .....   | 1-C7 | 1-15 | 90016-ZE8-000 .....  | 1-C7 | 1-15 |
| 11300-ZM0-811 ..... | 1-C1 | 1-3  | 16600-ZOL-840 .....   | 1-C5 | 1-11 | 90018-ZE1-000 .....  | 1-C7 | 1-14 |
| 12000-ZOL-406 ..... | 1-C1 | 1-2  | 16854-ZH8-000 .....   | 1-C4 | 1-9  | 90022-888-010 .....  | 1-C7 | 1-14 |
| 12209-ZM0-003 ..... | 1-C3 | 1-7  | 16950-ZM0-003 .....   | 1-C4 | 1-9  | 90043-ZL8-000 .....  | 1-C4 | 1-9  |
| 12311-ZL8-000 ..... | 1-C1 | 1-2  | 17211-ZL8-023 .....   | 1-C6 | 1-12 | 90055-ZE1-000 .....  | 1-C6 | 1-13 |
| 12311-ZL8-D00 ..... | 1-C1 | 1-2  | 17220-ZM0-000 .....   | 1-C6 | 1-12 | 90121-952-000 .....  | 1-C1 | 1-3  |
| 12355-ZL8-000 ..... | 1-C1 | 1-2  | 17228-ZM0-000 .....   | 1-C6 | 1-12 | 90201-878-003 .....  | 1-C7 | 1-14 |
| 13010-ZOL-003 ..... | 1-C3 | 1-6  | 17231-ZOL-030 .....   | 1-C6 | 1-12 | 90201-ZM0-000 .....  | 1-C4 | 1-8  |
| 13010-ZOL-004 ..... | 1-C3 | 1-6  | 17620-ZL8-013 .....   | 1-C4 | 1-9  | 90206-001-000 .....  | 1-C3 | 1-7  |
| 13101-Z2A-000 ..... | 1-C3 | 1-6  | 17702-ZOL-801 .....   | 1-C4 | 1-9  | 90402-ZL8-000 .....  | 1-C2 | 1-5  |
| 13111-ZE0-000 ..... | 1-C3 | 1-6  | 18310-ZM0-000 .....   | 1-C6 | 1-13 | 90451-ZE1-000 .....  | 1-C1 | 1-3  |
| 13200-ZOJ-000 ..... | 1-C3 | 1-6  | 18321-ZOL-J00 .....   | 1-C6 | 1-13 | 90551-ZE0-000 .....  | 1-C3 | 1-6  |
| 13310-ZM0-000 ..... | 1-C2 | 1-5  | 18350-ZL8-000 .....   | 1-C6 | 1-13 | 90602-ZE1-000 .....  | 1-C1 | 1-3  |
| 13331-357-000 ..... | 1-C7 | 1-14 | 18356-ZL8-000 .....   | 1-C6 | 1-13 | 90681-959-003 .....  | 1-C7 | 1-14 |
| 14320-ZL8-010 ..... | 1-C3 | 1-7  | 18381-ZL8-305 .....   | 1-C6 | 1-13 | 91201-ZL8-003 .....  | 1-C1 | 1-2  |
| 14324-ZL8-000 ..... | 1-C3 | 1-7  | 19610-ZOL-000ZD ..... | 1-C4 | 1-9  | 91202-ZL8-003 .....  | 1-C1 | 1-3  |
| 14400-ZOJ-014 ..... | 1-C3 | 1-7  | 19650-ZM0-000 .....   | 1-C5 | 1-10 | 91301-ZM0-V31 .....  | 1-C3 | 1-7  |
| 14431-ZOJ-000 ..... | 1-C3 | 1-7  | (2)                   |      |      | 91356-MA6-005 .....  | 1-C2 | 1-4  |
| 14441-ZOJ-000 ..... | 1-C3 | 1-7  | 28400-ZM0-633ZA ..... | 1-C4 | 1-8  | 91425-ZOL-801 .....  | 1-C4 | 1-9  |
| 14461-ZL8-000 ..... | 1-C3 | 1-7  | 28461-ZL8-003 .....   | 1-C4 | 1-8  | 91501-ZOL-800 .....  | 1-C4 | 1-9  |
| 14711-ZOJ-000 ..... | 1-C3 | 1-7  | 28462-ZL8-631 .....   | 1-C4 | 1-8  | 93500-05006-0H ..... | 1-C5 | 1-10 |
| 14721-ZL8-000 ..... | 1-C3 | 1-7  | (3)                   |      |      | 93891-04035-00 ..... | 1-C5 | 1-11 |
| 14751-ZL8-000 ..... | 1-C3 | 1-7  | 30500-ZL8-004 .....   | 1-C7 | 1-14 | 93891-05010-08 ..... | 1-C4 | 1-9  |
| 14771-ZOJ-000 ..... | 1-C3 | 1-7  | 31105-ZM0-000 .....   | 1-C7 | 1-14 | 93892-04012-00 ..... | 1-C7 | 1-14 |
| 15625-ZE6-000 ..... | 1-C1 | 1-3  | 32195-ZOL-000 .....   | 1-C7 | 1-14 | 94050-06000 .....    | 1-C7 | 1-15 |
| 15631-ZM0-000 ..... | 1-C1 | 1-3  | 35120-ZM0-003 .....   | 1-C7 | 1-14 | 94101-06800 .....    | 1-C2 | 1-4  |
| 15639-ZM0-000 ..... | 1-C1 | 1-3  | (4)                   |      |      | 94103-04000 .....    | 1-C7 | 1-14 |
| 15650-ZM0-801 ..... | 1-C1 | 1-3  | 51125-ZOL-003 .....   | 1-C7 | 1-14 | 94251-08000 .....    | 1-C2 | 1-4  |
| 15721-ZM0-000 ..... | 1-C6 | 1-12 | (5)                   |      |      | 94301-08200 .....    | 1-C2 | 1-4  |
| 16010-883-015 ..... | 1-C5 | 1-10 | 75100-ZM0-000 .....   | 1-C7 | 1-14 | 95002-40800-08 ..... | 1-C4 | 1-9  |
| 16013-ZL1-003 ..... | 1-C5 | 1-10 | 75113-ZM0-000 .....   | 1-C7 | 1-14 | 95002-41000-08 ..... | 1-C4 | 1-9  |
| 16015-887-782 ..... | 1-C5 | 1-10 | (6)                   |      |      | 95701-06014-08 ..... | 1-C6 | 1-12 |
| 16024-ZE1-811 ..... | 1-C5 | 1-10 | 87114-ZH7-821 .....   | 1-C8 | 1-16 | 98079-56846 .....    | 1-C1 | 1-2  |
| 16028-ZE0-005 ..... | 1-C5 | 1-10 | (7)                   |      |      | 99101-124-0650 ..... | 1-C5 | 1-10 |
| 16100-ZOL-871 ..... | 1-C5 | 1-10 | 90001-ZE1-000 .....   | 1-C3 | 1-6  | 99101-124-0680 ..... | 1-C5 | 1-10 |
| 16155-ZM0-013 ..... | 1-C5 | 1-10 | 90003-ZM0-000 .....   | 1-C6 | 1-12 | 99101-124-0700 ..... | 1-C5 | 1-10 |
| 16166-ZOL-841 ..... | 1-C5 | 1-10 | 90004-ZL8-000 .....   | 1-C6 | 1-13 |                      |      |      |
| 16210-ZOL-840 ..... | 1-C5 | 1-11 | 90012-333-000 .....   | 1-C3 | 1-7  |                      |      |      |
| 16212-ZL8-000 ..... | 1-C5 | 1-10 | 90013-883-000 .....   | 1-C1 | 1-2  |                      |      |      |
| 16221-883-800 ..... | 1-C5 | 1-10 | (8)                   |      |      |                      |      |      |
| 16228-ZOL-840 ..... | 1-C5 | 1-10 | 90001-ZE1-000 .....   | 1-C3 | 1-6  |                      |      |      |
| 16268-ZOL-840 ..... | 1-C5 | 1-11 | 90003-ZM0-000 .....   | 1-C6 | 1-12 |                      |      |      |
| 16508-ZM0-010 ..... | 1-C1 | 1-3  | 90004-ZL8-000 .....   | 1-C6 | 1-13 |                      |      |      |
| 16510-ZM0-010 ..... | 1-C1 | 1-3  | 90012-333-000 .....   | 1-C3 | 1-7  |                      |      |      |
| 16511-ZL8-000 ..... | 1-C1 | 1-3  | 90013-883-000 .....   | 1-C1 | 1-2  |                      |      |      |
| 16512-ZM0-000 ..... | 1-C1 | 1-3  | (9)                   |      |      |                      |      |      |
| 16513-ZE1-000 ..... | 1-C1 | 1-3  | 90001-ZE1-000 .....   | 1-C3 | 1-6  |                      |      |      |
| 16531-ZE1-000 ..... | 1-C1 | 1-3  | 90003-ZM0-000 .....   | 1-C6 | 1-12 |                      |      |      |
| 16541-ZM0-000 ..... | 1-C1 | 1-3  | 90004-ZL8-000 .....   | 1-C6 | 1-13 |                      |      |      |
|                     |      |      | 90012-333-000 .....   | 1-C3 | 1-7  |                      |      |      |
|                     |      |      | 90013-883-000 .....   | 1-C1 | 1-2  |                      |      |      |
|                     |      |      |                       | 1-C6 | 1-13 |                      |      |      |

# **Description**

# **Index**

# DESCRIPTION INDEX

| Description                         | Grid | Page | Ref | Description                                   | Grid | Page | Ref |
|-------------------------------------|------|------|-----|---|------|------|-----|
| <b>(A)</b>                          |      |      |     | <b>(E)</b>                                    |      |      |     |
| ARM, EX. VALVE ROCKER .....         | 1-C3 | 1-7  | 16  | ELEMENT, AIR CLEANER .....                    | 1-C6 | 1-12 | 2   |
| ARM, GOVERNOR .....                 | 1-C7 | 1-15 | 1   | EXTENSION, OIL FILLER .....                   | 1-C1 | 1-3  | 5   |
| ARM, IN. VALVE ROCKER .....         | 1-C3 | 1-7  | 15  | <b>(F)</b>                                    |      |      |     |
| ARRESTER KIT, SPARK .....           | 1-C6 | 1-13 | 12  | FLOAT SET .....                               | 1-C5 | 1-10 | 2   |
| ARRESTER, SPARK .....               | 1-C6 | 1-13 | 9   | FLYWHEEL ASSY.....                            | 1-C7 | 1-14 | 4   |
| <b>(B)</b>                          |      |      |     | <b>(G)</b>                                    |      |      |     |
| BASE, CONTROL .....                 | 1-C7 | 1-15 | 6   | GASKET SET .....                              | 1-C5 | 1-10 | 1   |
| BELT, TIMING (84HU7 G-200) .....    | 1-C3 | 1-7  | 3   | GASKET, AIR CLEANER .....                     | 1-C6 | 1-12 | 5   |
| BOLT, CONNECTING ROD .....          | 1-C3 | 1-6  | 4   | GASKET, CARBURETOR .....                      | 1-C5 | 1-10 | 12  |
| BOLT, FLANGE (6X12) (CT200) .....   | 1-C1 | 1-2  | 5   | GASKET, CARBURETOR (CHOKE SIDE) .....         | 1-C5 | 1-10 | 13  |
|                                     | 1-C6 | 1-13 | 4   | GASKET, INSULATOR .....                       | 1-C5 | 1-10 | 11  |
| BOLT, FLANGE (6X14) .....           | 1-C1 | 1-2  | 6   | GASKET, MUFFLER .....                         | 1-C6 | 1-13 | 5   |
|                                     | 1-C1 | 1-3  | 15  | GASKET, OIL FILLER CAP .....                  | 1-C1 | 1-3  | 4   |
|                                     | 1-C6 | 1-12 | 8   | GOVERNOR ASSY.....                            | 1-C1 | 1-3  | 9   |
|                                     | 1-C7 | 1-14 | 10  | GUIDE, AIR .....                              | 1-C5 | 1-10 | 14  |
| BOLT, FLANGE (6X20) (CT200) .....   | 1-C7 | 1-14 | 12  | <b>(H)</b>                                    |      |      |     |
| BOLT, FLANGE (6X23) .....           | 1-C7 | 1-14 | 11  | HOLDER, GOVERNOR WEIGHT .....                 | 1-C1 | 1-3  | 11  |
| BOLT, FLANGE (6X25) .....           | 1-C1 | 1-3  | 16  | HOLDER, WIRE .....                            | 1-C7 | 1-14 | 14  |
| BOLT, FLANGE (6X45) .....           | 1-C7 | 1-15 | 13  | <b>(I)</b>                                    |      |      |     |
| BOLT, FLANGE (6X79) (CT200) .....   | 1-C6 | 1-13 | 3   | INSULATOR .....                               | 1-C5 | 1-11 | 19  |
| BOLT, FLANGE (6X86) (CT200) .....   | 1-C6 | 1-12 | 7   | <b>(J)</b>                                    |      |      |     |
| BOLT, GOVERNOR ARM .....            | 1-C7 | 1-15 | 12  | JET, MAIN (#65) .....                         | 1-C5 | 1-10 | 16  |
| BOLT, STUD .....                    | 1-C4 | 1-9  | 9   | JET, MAIN (#68) .....                         | 1-C5 | 1-10 | 16  |
| BRAKE ASSY. ....                    | 1-C7 | 1-14 | 7   | JET, MAIN (#70) .....                         | 1-C5 | 1-10 | 16  |
| <b>(C)</b>                          |      |      |     | <b>(K)</b>                                    |      |      |     |
| CAP ASSY., FUEL TANK .....          | 1-C4 | 1-9  | 4   | KEY, SPECIAL WOODRUFF (25X18) .....           | 1-C7 | 1-14 | 1   |
| CARBURETOR ASSY. (BB65E A) .....    | 1-C5 | 1-10 | 7   | KNOB, RECOIL STARTER .....                    | 1-C4 | 1-8  | 8   |
| CASE ASSY., AIR CLEANER .....       | 1-C6 | 1-12 | 3   | <b>(L)</b>                                    |      |      |     |
| CHAMBER SET, FLOAT .....            | 1-C5 | 1-10 | 3   | LABEL, WARNING (NOT CERTIFIED FOR SALE) ..... | 1-C8 | 1-16 | 20  |
| CLIP, CABLE (A) .....               | 1-C7 | 1-14 | 14  | <b>(M)</b>                                    |      |      |     |
| CLIP, GOVERNOR HOLDER .....         | 1-C1 | 1-3  | 18  | MUFFLER.....                                  | 1-C6 | 1-13 | 1   |
| CLIP, PISTON PIN (13MM) .....       | 1-C3 | 1-6  | 5   | <b>(N)</b>                                    |      |      |     |
| CLIP, TUBE (D10) .....              | 1-C4 | 1-9  | 35  | NOZZLE, MAIN .....                            | 1-C5 | 1-10 | 9   |
| CLIP, TUBE (D8) .....               | 1-C4 | 1-9  | 34  | NUT, FLANGE (6MM) .....                       | 1-C4 | 1-8  | 11  |
| COIL ASSY., IGNITION .....          | 1-C7 | 1-14 | 3   |   | 1-C7 | 1-15 | 15  |
| COLLAR, FUEL PETCOCK .....          | 1-C4 | 1-9  | 8   | NUT, SPECIAL (14MM) .....                     | 1-C7 | 1-14 | 13  |
| CONTROL ASSY., CHOKE .....          | 1-C5 | 1-11 | 21  | <b>(D)</b>                                    |      |      |     |
| COVER, AIR CLEANER .....            | 1-C6 | 1-12 | 6   | DIPSTICK, OIL .....                           | 1-C1 | 1-3  | 2   |
| COVER, BREATHER .....               | 1-C1 | 1-2  | 4   | <b>(A)</b>                                    |      |      |     |
| COVER, FAN *R280* (POWER RED) ..... | 1-C4 | 1-9  | 6   | ARM, EX. VALVE ROCKER .....                   | 1-C3 | 1-7  | 16  |
| COVER, HEAD .....                   | 1-C1 | 1-2  | 3   | ARM, GOVERNOR .....                           | 1-C7 | 1-15 | 1   |
| CRANKSHAFT (N1-TYPE) .....          | 1-C2 | 1-5  | 1   | ARM, IN. VALVE ROCKER .....                   | 1-C3 | 1-7  | 15  |
| CYLINDER ASSY. ....                 | 1-C1 | 1-2  | 1   | ARRESTER KIT, SPARK .....                     | 1-C6 | 1-13 | 12  |
| <b>(D)</b>                          |      |      |     | <b>(F)</b>                                    |      |      |     |
| DIPSTICK, OIL .....                 | 1-C1 | 1-3  | 2   | FLOAT SET .....                               | 1-C5 | 1-10 | 2   |
| <b>(B)</b>                          |      |      |     | <b>(G)</b>                                    |      |      |     |
| BASE, CONTROL .....                 | 1-C7 | 1-15 | 6   | GASKET SET .....                              | 1-C5 | 1-10 | 1   |
| BELT, TIMING (84HU7 G-200) .....    | 1-C3 | 1-7  | 3   | GASKET, AIR CLEANER .....                     | 1-C6 | 1-12 | 5   |
| BOLT, CONNECTING ROD .....          | 1-C3 | 1-6  | 4   | GASKET, CARBURETOR .....                      | 1-C5 | 1-10 | 12  |
| BOLT, FLANGE (6X12) (CT200) .....   | 1-C1 | 1-2  | 5   | GASKET, CARBURETOR (CHOKE SIDE) .....         | 1-C5 | 1-10 | 13  |
|                                     | 1-C6 | 1-13 | 4   | GASKET, INSULATOR .....                       | 1-C5 | 1-10 | 11  |
| BOLT, FLANGE (6X14) .....           | 1-C1 | 1-2  | 6   | GASKET, MUFFLER .....                         | 1-C6 | 1-13 | 5   |
|                                     | 1-C1 | 1-3  | 15  | GASKET, OIL FILLER CAP .....                  | 1-C1 | 1-3  | 4   |
|                                     | 1-C6 | 1-12 | 8   | GOVERNOR ASSY.....                            | 1-C1 | 1-3  | 9   |
|                                     | 1-C7 | 1-14 | 10  | GUIDE, AIR .....                              | 1-C5 | 1-10 | 14  |
| BOLT, FLANGE (6X20) (CT200) .....   | 1-C7 | 1-14 | 12  | <b>(H)</b>                                    |      |      |     |
| BOLT, FLANGE (6X23) .....           | 1-C7 | 1-14 | 11  | HOLDER, GOVERNOR WEIGHT .....                 | 1-C1 | 1-3  | 11  |
| BOLT, FLANGE (6X25) .....           | 1-C1 | 1-3  | 16  | HOLDER, WIRE .....                            | 1-C7 | 1-14 | 14  |
| BOLT, FLANGE (6X45) .....           | 1-C7 | 1-15 | 13  | <b>(I)</b>                                    |      |      |     |
| BOLT, FLANGE (6X79) (CT200) .....   | 1-C6 | 1-13 | 3   | INSULATOR .....                               | 1-C5 | 1-11 | 19  |
| BOLT, FLANGE (6X86) (CT200) .....   | 1-C6 | 1-12 | 7   | <b>(J)</b>                                    |      |      |     |
| BOLT, GOVERNOR ARM .....            | 1-C7 | 1-15 | 12  | JET, MAIN (#65) .....                         | 1-C5 | 1-10 | 16  |
| BOLT, STUD .....                    | 1-C4 | 1-9  | 9   | JET, MAIN (#68) .....                         | 1-C5 | 1-10 | 16  |
| BRAKE ASSY. ....                    | 1-C7 | 1-14 | 7   | JET, MAIN (#70) .....                         | 1-C5 | 1-10 | 16  |
| <b>(C)</b>                          |      |      |     | <b>(K)</b>                                    |      |      |     |
| CAP ASSY., FUEL TANK .....          | 1-C4 | 1-9  | 4   | KEY, SPECIAL WOODRUFF (25X18) .....           | 1-C7 | 1-14 | 1   |
| CARBURETOR ASSY. (BB65E A) .....    | 1-C5 | 1-10 | 7   | KNOB, RECOIL STARTER .....                    | 1-C4 | 1-8  | 8   |
| CASE ASSY., AIR CLEANER .....       | 1-C6 | 1-12 | 3   | <b>(L)</b>                                    |      |      |     |
| CHAMBER SET, FLOAT .....            | 1-C5 | 1-10 | 3   | LABEL, WARNING (NOT CERTIFIED FOR SALE) ..... | 1-C8 | 1-16 | 20  |
| CLIP, CABLE (A) .....               | 1-C7 | 1-14 | 14  | <b>(M)</b>                                    |      |      |     |
| CLIP, GOVERNOR HOLDER .....         | 1-C1 | 1-3  | 18  | MUFFLER.....                                  | 1-C6 | 1-13 | 1   |
| CLIP, PISTON PIN (13MM) .....       | 1-C3 | 1-6  | 5   | <b>(N)</b>                                    |      |      |     |
| CLIP, TUBE (D10) .....              | 1-C4 | 1-9  | 35  | NOZZLE, MAIN .....                            | 1-C5 | 1-10 | 9   |
| CLIP, TUBE (D8) .....               | 1-C4 | 1-9  | 34  | NUT, FLANGE (6MM) .....                       | 1-C4 | 1-8  | 11  |
| COIL ASSY., IGNITION .....          | 1-C7 | 1-14 | 3   |   | 1-C7 | 1-15 | 15  |
| COLLAR, FUEL PETCOCK .....          | 1-C4 | 1-9  | 8   | NUT, SPECIAL (14MM) .....                     | 1-C7 | 1-14 | 13  |
| CONTROL ASSY., CHOKE .....          | 1-C5 | 1-11 | 21  | <b>(D)</b>                                    |      |      |     |
| COVER, AIR CLEANER .....            | 1-C6 | 1-12 | 6   | DIPSTICK, OIL .....                           | 1-C1 | 1-3  | 2   |
| COVER, BREATHER .....               | 1-C1 | 1-2  | 4   | <b>(A)</b>                                    |      |      |     |
| COVER, FAN *R280* (POWER RED) ..... | 1-C4 | 1-9  | 6   | ARM, EX. VALVE ROCKER .....                   | 1-C3 | 1-7  | 16  |
| COVER, HEAD .....                   | 1-C1 | 1-2  | 3   | ARM, GOVERNOR .....                           | 1-C7 | 1-15 | 1   |
| CRANKSHAFT (N1-TYPE) .....          | 1-C2 | 1-5  | 1   | ARM, IN. VALVE ROCKER .....                   | 1-C3 | 1-7  | 15  |
| CYLINDER ASSY. ....                 | 1-C1 | 1-2  | 1   | ARRESTER KIT, SPARK .....                     | 1-C6 | 1-13 | 12  |

# DESCRIPTION INDEX

| Description                           | Grid | Page | Ref | Description                             | Grid | Page | Ref |
|---------------------------------------|------|------|-----|---|------|------|-----|
| NUT, TAPPET ADJ. ....                 | 1-C3 | 1-7  | 12  | STARTER ASSY., RECOIL *NH1* (LONG ROPE) |      |      |     |
|                                       |      |      |     | (BLACK) .....                           | 1-C4 | 1-8  | 1   |
| <b>(O)</b>                            |      |      |     | SWITCH ASSY., ENGINE STOP (N.C) .....   | 1-C7 | 1-14 | 6   |
| O-RING (14.8X2.4) (NOK) .....         | 1-C2 | 1-4  | 20  | <b>(T)</b>                              |      |      |     |
| O-RING (6.8X1.9) .....                | 1-C3 | 1-7  | 13  | TUBE, BREATHER .....                    | 1-C6 | 1-12 | 1   |
| OIL SEAL (25.4X62X6) .....            | 1-C1 | 1-2  | 7   | TUBE, FUEL (5.3X150) (FKM) .....        | 1-C4 | 1-9  | 11  |
| OIL SEAL (28X41.25X6) .....           | 1-C1 | 1-3  | 19  | TUBE, FUEL (FKM) .....                  | 1-C4 | 1-9  | 32  |
| <b>(P)</b>                            |      |      |     | <b>(V)</b>                              |      |      |     |
| PAN ASSY., OIL .....                  | 1-C1 | 1-3  | 1   | VALVE, EX. ....                         | 1-C3 | 1-7  | 8   |
| PAN ASSY., OIL (000) .....            | 1-C1 | 1-3  | 1   | VALVE, FLOAT .....                      | 1-C5 | 1-10 | 8   |
| PETCOCK ASSY. ....                    | 1-C4 | 1-9  | 31  | VALVE, IN. ....                         | 1-C3 | 1-7  | 7   |
| PIN, DOWEL (8X20) .....               | 1-C2 | 1-4  | 23  | <b>(W)</b>                              |      |      |     |
| PIN, GOVERNOR WEIGHT .....            | 1-C1 | 1-3  | 12  | WASHER, EXTENSION LOCK .....            | 1-C1 | 1-3  | 6   |
| PIN, LOCK (8MM) .....                 | 1-C2 | 1-4  | 22  | WASHER, PLAIN (4MM) .....               | 1-C7 | 1-14 | 16  |
| PIN, PISTON .....                     | 1-C3 | 1-6  | 2   | WASHER, PLAIN (6MM) .....               | 1-C2 | 1-4  | 21  |
| PISTON .....                          | 1-C3 | 1-6  | 1   | WASHER, THRUST .....                    | 1-C2 | 1-5  | 5   |
| PLATE, ARRESTER NUMBER .....          | 1-C6 | 1-13 | 10  | WASHER, THRUST (6MM) .....              | 1-C1 | 1-3  | 17  |
| PROTECTOR, MUFFLER (CBU) .....        | 1-C6 | 1-13 | 2   | WEIGHT, GOVERNOR .....                  | 1-C1 | 1-3  | 10  |
| PULLEY, CAMSHAFT .....                | 1-C3 | 1-7  | 1   | WIRE, STOP SWITCH .....                 | 1-C7 | 1-14 | 5   |
| <b>(R)</b>                            |      |      |     |   |      |      |     |
| RETAINER, VALVE SPRING .....          | 1-C3 | 1-7  | 10  |   |      |      |     |
| RING SET, PISTON (RIKEN) .....        | 1-C3 | 1-6  | 6   |   |      |      |     |
| RING SET, PISTON (TEIKOKU) .....      | 1-C3 | 1-6  | 6   |   |      |      |     |
| ROD ASSY., CONNECTING .....           | 1-C3 | 1-6  | 3   |   |      |      |     |
| ROD, GOVERNOR .....                   | 1-C7 | 1-15 | 2   |   |      |      |     |
| ROPE, RECOIL STARTER (#3.5X90") ..... | 1-C4 | 1-8  | 9   |   |      |      |     |
| RUBBER, SUPPORTER (107MM) .....       | 1-C4 | 1-9  | 1   |   |      |      |     |
| <b>(S)</b>                            |      |      |     |   |      |      |     |
| SCREW SET B .....                     | 1-C5 | 1-10 | 5   |   |      |      |     |
| SCREW SET, DRAIN .....                | 1-C5 | 1-10 | 17  |   |      |      |     |
| SCREW, PAN (5X6) .....                | 1-C5 | 1-10 | 15  |   |      |      |     |
| SCREW, TAPPET ADJ. ....               | 1-C3 | 1-7  | 11  |   |      |      |     |
| SCREW, TAPPING (4X6) .....            | 1-C6 | 1-13 | 11  |   |      |      |     |
| SCREW-WASHER (4X12) .....             | 1-C7 | 1-14 | 15  |   |      |      |     |
| SCREW-WASHER (4X35) .....             | 1-C5 | 1-11 | 22  |   |      |      |     |
| SCREW-WASHER (5X10) .....             | 1-C4 | 1-9  | 10  |   |      |      |     |
| SEAL, VALVE STEM .....                | 1-C3 | 1-7  | 14  |   |      |      |     |
| SHAFT, CAM PULLEY .....               | 1-C3 | 1-7  | 2   |   |      |      |     |
| SHAFT, GOVERNOR ARM .....             | 1-C1 | 1-3  | 14  |   |      |      |     |
| SHAFT, GOVERNOR HOLDER .....          | 1-C1 | 1-3  | 8   |   |      |      |     |
| SHAFT, ROCKER ARM .....               | 1-C3 | 1-7  | 6   |   |      |      |     |
| SLIDER, GOVERNOR .....                | 1-C1 | 1-3  | 13  |   |      |      |     |
| SPARK PLUG (BPR6ES) (NGK) .....       | 1-C1 | 1-2  | 8   |   |      |      |     |
| SPRING, BRAKE LEVER .....             | 1-C7 | 1-14 | 8   |   |      |      |     |
| SPRING, CHOKE LEVER RETURN .....      | 1-C5 | 1-11 | 20  |   |      |      |     |
| SPRING, GOVERNOR .....                | 1-C7 | 1-15 | 3   |   |      |      |     |
| SPRING, THROTTLE RETURN .....         | 1-C7 | 1-15 | 4   |   |      |      |     |
| SPRING, VALVE .....                   | 1-C3 | 1-7  | 9   |   |      |      |     |